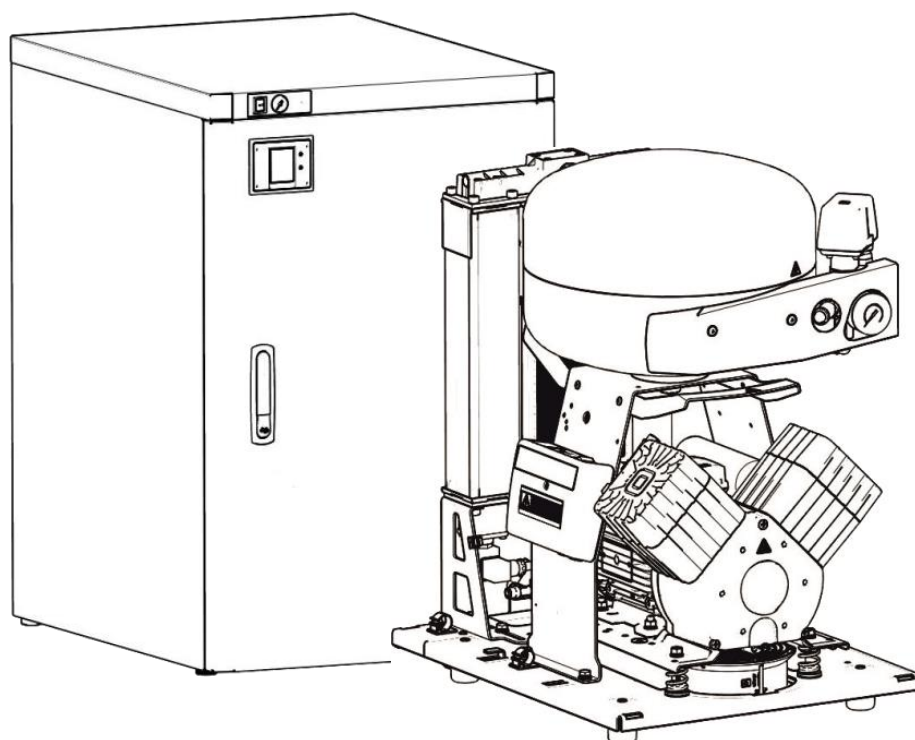




DK50 2V/M

- EN USER MANUAL
- DE BENUTZERHANDBUCH
- FR MANUEL DE L'UTILISATEUR
- RU РУКОВОДСТВО ПОЛЬЗОВАТЕЛЯ
- PL INSTRUKCJA OBSŁUGI
- SK NÁVOD NA POUŽITIE
- CS NÁVOD K POUŽITÍ



COMPRESSOR
KOMPRESSOR
COMPRESSEUR
КОМПРЕССОР
SPREŽARKA
KOMPRESOR

DK50 2V



EKOM spol. s r. o.
Priemyselná 5031/18
SK-921 01 Piešťany
Slovak Republic
tel.: +421 33 7967255
fax: +421 33 7967223

www.ekom.sk
email: ekom@ekom.sk

DATE OF LAST REVISION
DATUM DER LETZTEN ÜBERARBEITUNG
DATE DE LA DERNIÈRE RÉVISION
ДАТА ПОСЛЕДНЕЙ РЕДАКЦИИ
DATA OSTATNIEJ AKTUALIZACJI
DÁTUM POSLEDNEJ REVÍZIE
DATUM POSLEDNÍ REVIZE

09/2024

NP-DK50 2V-7_09-2024-AD
112000576-000

EN	<u>CONTENTS..... 5</u>
DE	<u>INHALT 62</u>
FR	<u>TABLES DES MATIÈRES 120</u>
RU	<u>ОГЛАВЛЕНИЕ 178</u>
PL	<u>SPIS TREŚCI 236</u>
SK	<u>OBSAH 294</u>
CS	<u>OBSAH 351</u>

CONTENTS

IMPORTANT INFORMATION	6
1. CONFORMITY WITH THE REQUIREMENTS OF EUROPEAN UNION DIRECTIVES	6
2. INTENDED USE	6
3. CONTRAINDICATIONS AND SIDE-EFFECTS	6
4. SYMBOLS.....	6
5. WARNINGS	7
6. STORAGE AND TRANSPORT	9
PRODUCT DESCRIPTION	10
7. VARIANTS	10
8. ACCESSORIES	10
9. PRODUCT FUNCTION	11
TECHNICAL DATA	16
INSTALLATION	25
10. INSTALLATION CONDITIONS	25
11. COMPRESSOR ASSEMBLY	25
12. PNEUMATIC CONNECTION	27
13. ELECTRICAL CONNECTION	30
14. COMPRESSOR PLACEMENT IN THE CABINET	31
15. COMMISSIONING	33
16. PNEUMATIC AND ELECTRICAL DIAGRAMS	34
OPERATION	40
17. SWITCHING ON THE COMPRESSOR.....	41
18. SWITCHING OFF THE COPRESSOR	41
AD DRYER	42
19. PRINCIPLE OF OPERATION	42
20. USER INTERFACE/SETTINGS	43
21. MAIN SCREENS.....	45
22. INDICATION OF MAINTENANCE AND ALARM STATES.....	47
PRODUCT MAINTENANCE	50
23. PRODUCT MAINTENANCE.....	50
24. LONG-TERM SHUTDOWN.....	58
25. DISPOSAL OF DEVICE	58
TROUBLESHOOTING	59
26. REPAIR SERVICE	61
ANNEX	408
27. INSTALLATION RECORD	408

IMPORTANT INFORMATION

1. CONFORMITY WITH THE REQUIREMENTS OF EUROPEAN UNION DIRECTIVES

This product conforms to the requirements of the Regulation (EU) on medical devices (MDR 2017/745) and is safe for the intended use if all safety instructions are followed.

2. INTENDED USE

The compressor is used as a source of clean, oil-free compressed air to power active medical devices where the parameters and properties of the compressed air are suitable for the specific application.



Compressed air supplied by the compressor is unsuitable for use with artificial lung ventilation devices

Any other use of the product beyond its intended use is considered an incorrect use. The manufacturer is not liable for any damages or injuries resulting from the incorrect use.

3. CONTRAINDICATIONS AND SIDE-EFFECTS

There are no contraindications or side-effects known.

4. SYMBOLS

The following symbols and marks are used in the User manual, on the device and its packaging:



General warning



Warning – risk of electric shock



Warning - compressor is controlled automatically



Warning – hot surface



General caution



Read the operating instructions



Refer to instruction manual



CE – marking




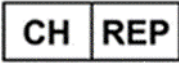


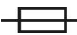







Medical device



Serial number



Article number

	Unique Device Identifier
	Swiss Authorised Representative
	Swiss Importer
	Protecting earthing
	Fuse
	Package handling label – fragile
	Package handling label – this side up
	Package handling label – keep dry
	Package handling label – temperature limits
	Package handling label – limited stacking
	Package label – recyclable material
	Manufacturer

5. WARNINGS

The product is designed and manufactured to be safe for the user and the surrounding environment when used in the defined manner. Keep the following warnings in mind.

5.1. General warnings

READ THE USER MANUAL CAREFULLY BEFORE USING THE DEVICE AND KEEP IT FOR FUTURE USE!

- The user manual supports the correct installation, operation and maintenance of the product. Careful review of this manual will provide the information necessary for the correct operation of the product for its intended use.
- Original packaging should be retained for the return of the device. Only the original packaging ensures protection of the device during transport. If it is necessary to return the product during the warranty period, the manufacturer is not liable for damages caused by improper packaging.
- This warranty does not cover damages originating from the use of accessories other than those specified or recommended by the manufacturer.
- The manufacturer only guarantees the safety, reliability and function of the device if:
 - installation, new settings, changes, expansion, and repairs are performed by the

manufacturer or an organisation authorised by the manufacturer

- the product is used pursuant to the user manual
- The user manual corresponds to the configuration of the product and its compliance with the applicable safety and technical standards at the time of printing. The manufacturer reserves all rights for the protection of its configuration, methods and names.
- Translation of the user manual is performed in accordance with the best available knowledge. The Slovak version is to be used in the event of any uncertainties.
- This user manual is the original instructions. Translation is performed in accordance with the best available knowledge.

5.2. General safety warnings

The manufacturer designed and manufactured the product to minimise all risks when used correctly for the intended use. The manufacturer considers it its obligation to lay down the following general safety precautions.

- Use and operation of the product must comply with all laws and local regulations valid in the place of use. The operator and user are responsible for following all the appropriate regulations in the interests of performing work safely.
- Only the use of original parts guarantees the safety of operating personnel and the flawless operation of the product itself. Only the accessories and parts mentioned in the technical documentation or expressly approved by the manufacturer should be used.
- The operator must ensure that the device is functioning correctly and safely before every use.
- The user must be familiar with the operation of the device.
- Do not use the product in environments with a risk of explosion.
- The user must inform the supplier immediately if any problem directly related to the operation of the device occurs.
- Any serious incident that has occurred in relation to the device should be reported to the manufacturer and the competent authority of the Member State in which the user and / or patient is established.

5.3. Safety warnings on protection from electric current

- The device must only be connected to a properly installed, earthed socket.
- Before the product is plugged in, ensure that the mains voltage and frequency stated on the product are in compliance with the values of the mains.
- Prior to putting the device into operation check for any damage to the connected pneumatic lines and electrical wiring. Replace damaged pneumatic lines and electrical wirings immediately.
- Immediately disconnect the product from the mains (remove power cord from the socket) in hazardous situations or in the case of a technical malfunction.
- During all repairs and maintenance, ensure that:
 - the mains plug is removed from the power socket
 - pressure is vented from the air tank and pipes
- The product shall only be installed by a qualified technician.

6. STORAGE AND TRANSPORT

The manufacturer ships the compressor in a transport packaging. This protects the device from damage during transport.



Risk of damage to pneumatic parts.

The compressor must be transported only when all air has been vented. Before moving or transporting the compressor, release all the air pressure from the tank and pressure hoses and drain condensate from the tank and from the condensate separator on the dryer.



Original packaging must be kept for eventual return of the device. If possible, always use the original compressor packaging for optimal protection of the product. If it is necessary to return the product within the guarantee period, the manufacturer does not guarantee for damages caused by incorrect packaging of the product.



Transport the compressor in an upright position, always secured by transport fixing elements.



Protect the compressor from high humidity, dirt and extreme temperatures during transport and storage. Do not store together with volatile chemical substances.



If it is not possible to keep the original packaging, dispose of the packaging in an environmentally friendly way. Transport cardboard can be recycled with old paper.



It is not permitted to store and transport the device outside the defined conditions, see below.

6.1. Ambient conditions

Products can be stored in rooms and means of transport that are free from any traces of volatile chemical substances under the following climatic conditions:

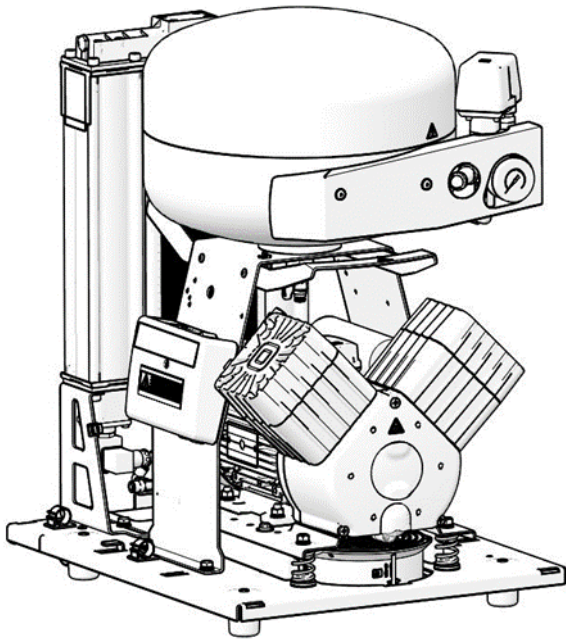
Temperature	from -25°C o $+55^{\circ}\text{C}$, in 24h to $+70^{\circ}\text{C}$
Relative humidity	max. 90% (without condensation/ non-condensing)

PRODUCT DESCRIPTION

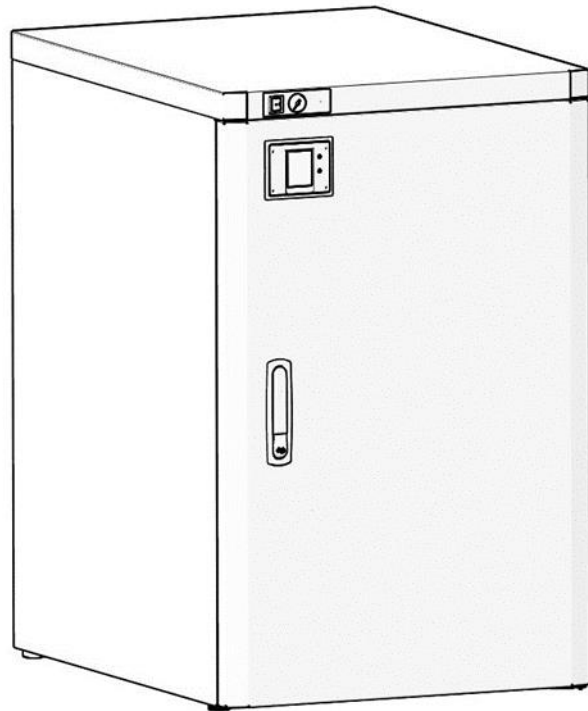
7. VARIANTS

The compressor is manufactured according to its intended application in the following variants:

DK50 2V/M	compressor on base with air dryer
DK50 2V S/M	compressor in cabinet with air dryer



DK50 2V/M



DK50 2V S/M

8. ACCESSORIES

Accessories are not included in a standard order, they must be ordered separately.

Set of compressed air outlet filters

The compressor may be equipped with a set of filters if specified. The filter set may be equipped with an air pressure regulator.



Where a different level of air filtration is required, this requirement must be agreed upon with the supplier and specified in the order.

Type	Use	Level of filtration (μm)	Article number
FS 30F		1	
FS 30M	DK50 2V/M	1+0.1	to order
FS 30S		1+0.01	
FS 30A		1+0.01+A**	

**) A – submicrofilter with activated carbon

Filter set regulator assembly

The compressor may be equipped with a pressure regulator of the compressed air outlet if specified. The regulator must be selected according to the application to the filter set, or separately. The regulator shall ensure constant pressure at the outlet.

Type	Use	Article number
Regulator complete (to the filter assembly)	DK50 2V/M	to order
REG11 (separate)		447000001-077

Filter set brackets



A suitable bracket must be ordered for every filter set.

Type	Use	Article number
Compressor-mounted bracket	DK50 2V/M	to order

Equipotential bonding socket

The socket provides protective bonding.

Type	Use	Name	Article no.
POAG-KBT6-EC	DK50 2VS/M	Mains plug connector	033400075-000
FLEXI-S/POAG-HK6		Conductor (1 m)	034110083-000

9. PRODUCT FUNCTION

9.1. Compressor with adsorption dryer

(Fig. 1) The air pump (1) draws in air through the inlet filter (8) and supplies compressed air through the connecting hose into the adsorption dryer (38). From the inlet to the dryer module, the air is first cooled in the integrated cooler (26) and then moves through the condensate separator (32), entering the active chamber with adsorbent (27), where the air is dried. A portion of the air is fed into the second, regenerated chamber, where this air is used to remove moisture from the adsorbent, after which it is vented to the atmosphere. The active chamber switches on a cyclical basis. The dry air then passes through the non-return valve (3) into the air tank (2). Air drying efficiency (the pressure dew point) is determined by the dew point sensor located in the air tank.

It is not necessary to drain the air tank.

9.2. Compressor in cabinet

(Fig. 3) The soundproof cabinet provides compact covering of the compressor, dampens noise efficiently, providing sufficient exchange of cooling air. Its design makes it suitable for use in rooms where low noise levels are required. The fan under the compressor pump provides cooling of the compressor, it is in operation at the same time with compressor motor or after switching on the temperature switch at temperature above 40 °C. After cooling the cabinet area approximately under 32°C, the fans turn off automatically.

The dryer display (34) is located on the front panel of the cabinet.



Risk of compressor overheating.

Make sure that there are no obstacles at the cooling air inlet into the cabinet (around the bottom part of the cabinet) and at the hot air outlet on the top back side of the cabinet.

If the compressor is placed on a soft floor, e.g. carpet, create space between the base and the floor or the cabinet and the floor, e.g. underlay the footings with hard pads to ensure sufficient cooling of the compressor.

Description to Figures 1 - 3

1	Air pump	22	Handle
2	Air tank	23	Casters
3	Non-return valve	24	Pressure gauge hose
4	Pressure switch	25	Outlet module
5	Safety valve	26	Cooling module
6	Pressure gauge	27	Dryer chamber
7	Drain valve	28	Inlet valve module
8	Inlet filter	29	Compressed air inlet
9	Compressor fan	30	Regeneration solenoid valve
10	Condensate collection vessel	31	Dryer fan
11	Magnetic holder	32	Condensate separator
12	Electric panel	33	Condensate drain solenoid valve
13	Cabinet fan	34	*Display
14	Door pin	35	Air outlet
15	Rectifying screw	36	**Bushing
16	Lock	37	Outlet from condensate separator and regeneration valves
17	Supporting bracket	38	Adsorption dryer
18	Wall stop	39	Cabinet connector with cord
19	Switch	40	Circuit breaker switch
20	Cabinet pressure gauge	41	*** Dew point sensor
21	Door hinge		

* Position 34 applies to the DK50 2V/M model without the cabinet; position 34 in the case of the DK50 2VS/M with the cabinet is a simple cover.

** For the cabinet model, the cable connected to the display (36) in the front panel of the cabinet is routed through the universal bushing.

*** Applies to model with dew point sensor.

Fig. 1: DK50 2V/M – Compressor with adsorption dryer

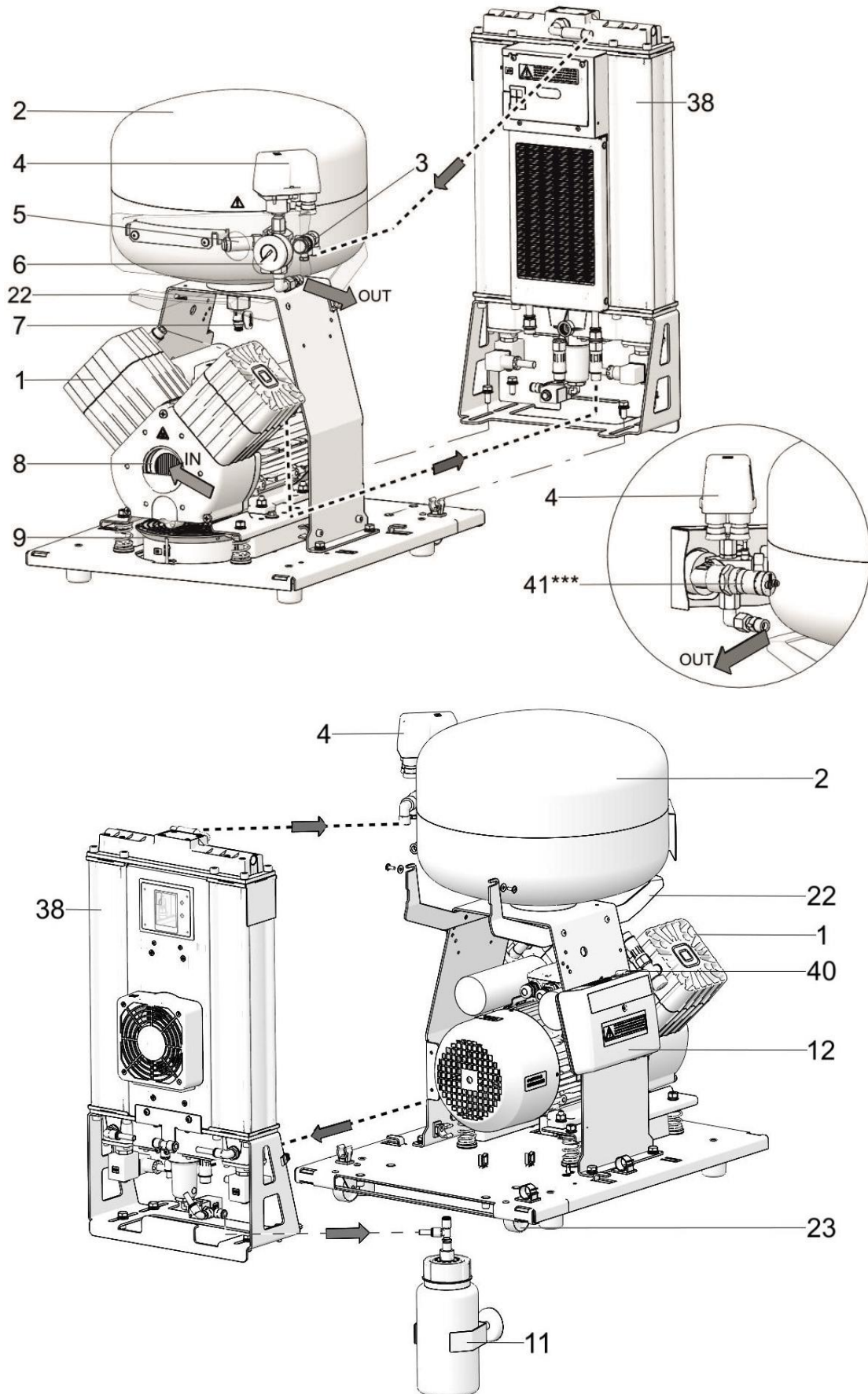
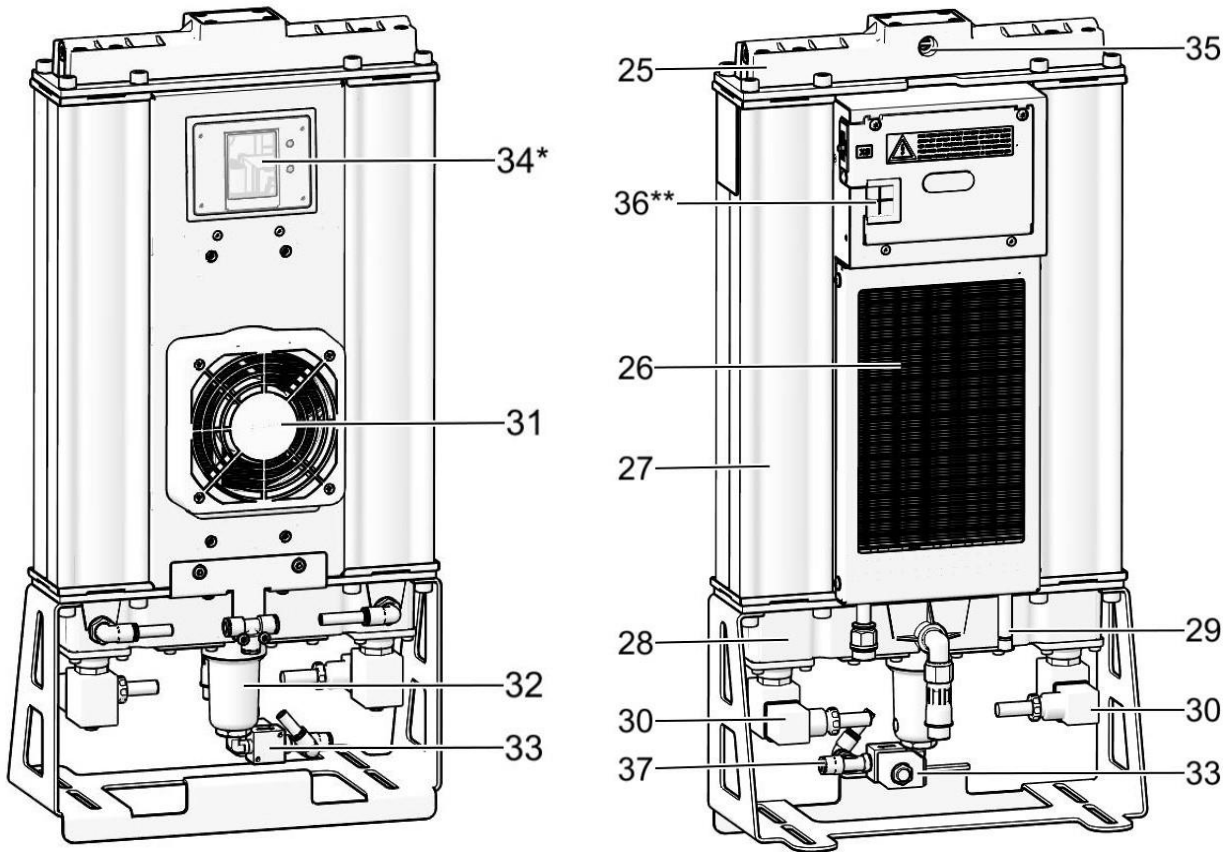
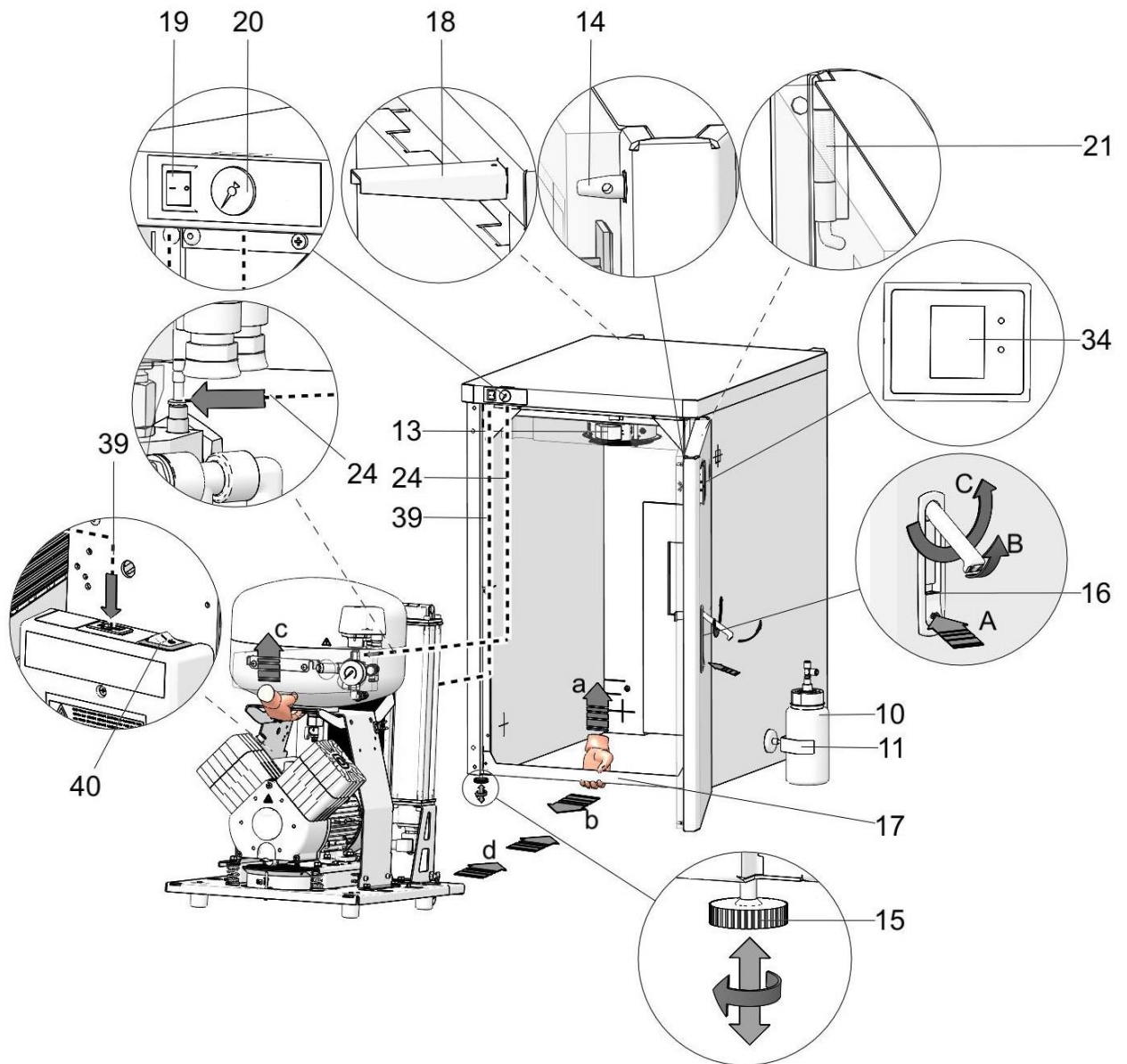


Fig. 2: Adsorption dryer**ADM140/25**

- * Position 34 applies to the DK50 2V/M model without the cabinet; position 34 in the case of the DK50 2VS/M with the cabinet is a simple cover.
- ** For the cabinet model, the cable connected to the display (36) in the front panel of the cabinet is routed through the universal bushing.

Fig. 3: Cabinet



TECHNICAL DATA

Compressors are designed to operate in dry, ventilated and indoor dust-free rooms with the following climatic conditions:

Temperature from +5°C to +30°C

Relative humidity max. 50%

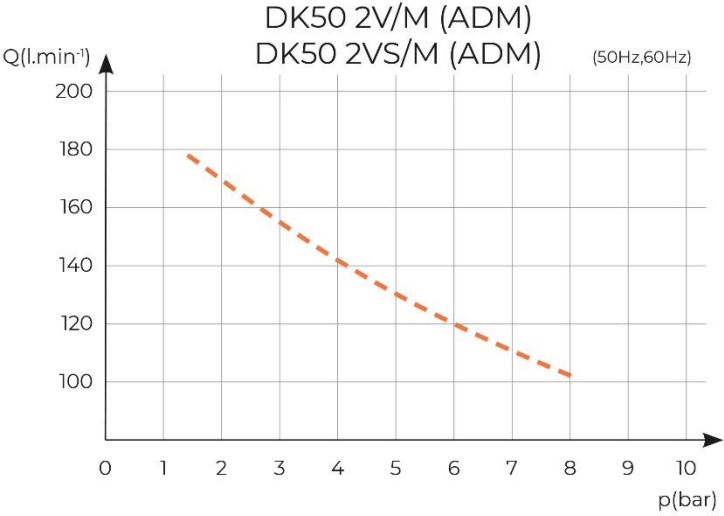
Working pressure 6 – 8 bar		DK50 2V/M	DK50 2V S/M
Nominal voltage Frequency ^{a)}	V, Hz	230, 50	230, 50
Capacity at 6 bar (FAD)	l/min	120	120
Working pressure ^{b)}	bar	6.0 – 8.0	6.0 – 8.0
Rated current	A	8.8	9.0
Motor power	kW	1.2	1.2
Air tank volume	l	25	25
Air quality – filtration	µm	-	-
Maximum operating pressure of safety valve	bar	11.0	11.0
Noise level at 5 bar (L _{pA})	dB	≤69.0	≤55.0
Operating mode	%	S1-100	S1-100
PDP drying at 7 bar	°C	≤ -20	≤ -20
Dryer low pressure alarm	bar	< 3	< 3
Dryer high pressure alarm	bar	> 9	> 9
Dryer high dew point alarm	°C	> -20	> -20
Time to fill air tank from 0 to 7 bar	s	90	90
Dimensions (net) w x d x h	mm	460x620x720	560x720x880
Net weight ^{c)}	kg	69	110
Classification under EN 60601-1	Class I.		

^{a)} State the compressor variant in the order

^{b)} For other range of pressure consult with the supplier

^{c)} Weight value is only informative data and applies only to a product without any accessories

Dependence of compressor output on working pressure



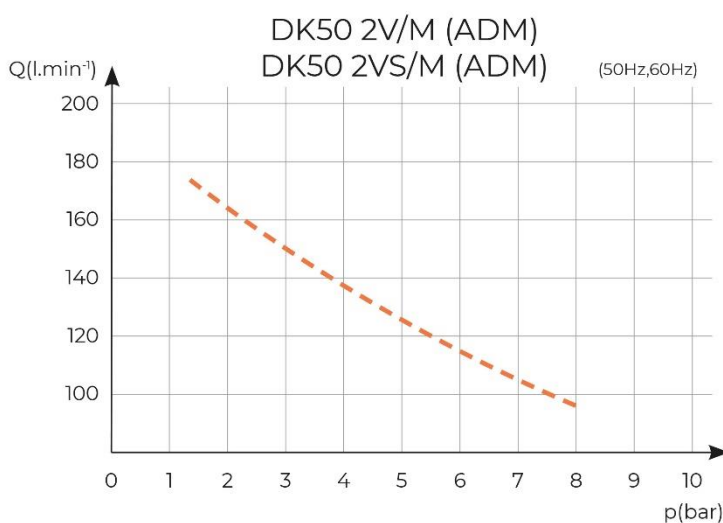
Working pressure 6 – 8 bar		DK50 2V/M	DK50 2V S/M
Nominal voltage, Frequency ^{a)}	V, Hz	230, 50	230, 50
Capacity at 6 bar (FAD)	l/min	115	115
Working pressure ^{b)}	bar	6.0 – 8.0	6.0 – 8.0
Rated current	A	8.8	9.0
Motor power	kW	1.2	1.2
Air tank volume	l	25	25
Air quality – filtration	µm	-	-
Maximum operating pressure of safety valve	bar	11.0	11.0
Noise level at 5 bar (L _{pA})	dB	≤69.0	≤55.0
Operating mode	%	S1-100	S1-100
PDP drying at 7 bar	°C	≤ -40	≤ -40
Dryer low pressure alarm	bar	< 3	< 3
Dryer high pressure alarm	bar	> 9	> 9
Dryer high dew point alarm	°C	> -40	> -40
Time to fill air tank from 0 to 7 bar	s	100	100
Dimensions (net) w x d x h	mm	460x620x720	560x720x880
Net weight ^{c)}	kg	69	110
Classification under EN 60601-1		Class I.	

^{a)} State the compressor variant in the order

^{b)} For other range of pressure consult with the supplier

^{c)} Weight value is only informative data and applies only to a product without any accessories

Dependence of compressor output on working pressure



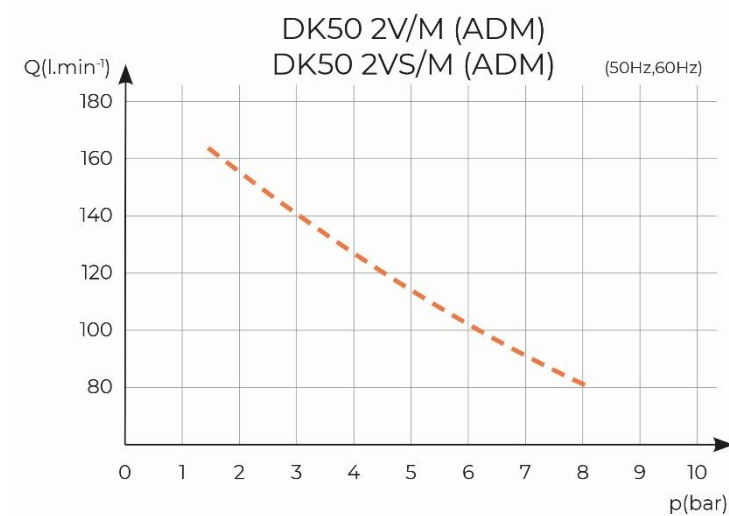
Working pressure 6 – 8 bar		DK50 2V/M	DK50 2V S/M
Nominal voltage, Frequency ^{a)}	V, Hz	230, 50	230, 50
Capacity at 6 bar (FAD)	l/min	100	100
Working pressure ^{b)}	bar	6.0 – 8.0	6.0 – 8.0
Rated current	A	8.8	9.0
Motor power	kW	1.2	1.2
Air tank volume	l	25	25
Air quality – filtration	µm	-	-
Maximum operating pressure of safety valve	bar	11.0	11.0
Noise level at 5 bar (L _{pA})	dB	≤69.0	≤55.0
Operating mode	%	S1-100	S1-100
PDP drying at 7 bar	°C	≤ -70	≤ -70
Dryer low pressure alarm	bar	< 3	< 3
Dryer high pressure alarm	bar	> 9	> 9
Dryer high dew point alarm	°C	-68	-68
Time to fill air tank from 0 to 7 bar	s	110	110
Dimensions (net) w x d x h	mm	460x620x720	560x720x880
Net weight ^{c)}	kg	69	110
Classification under EN 60601-1	Class I.		

^{a)} State the compressor variant in the order

^{b)} For other range of pressure consult with the supplier

^{c)} Weight value is only informative data and applies only to a product without any accessories

Dependence of compressor output on working pressure



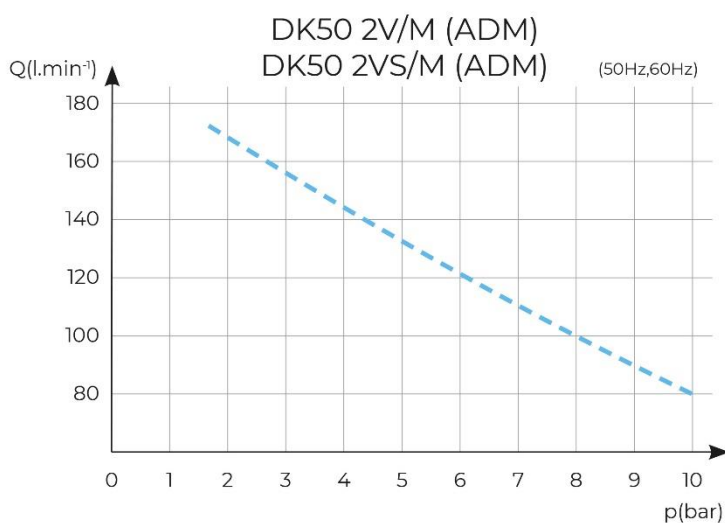
Working pressure 8 – 10 bar		DK50 2V/M	DK50 2V S/M
Nominal voltage, Frequency ^{a)}	V, Hz	230, 50	230, 50
Capacity at 8 bar (FAD)	l/min	100	100
Working pressure ^{b)}	bar	8.0 – 10.0	8.0 – 10.0
Rated current	A	8.6	8.8
Motor power	kW	1.2	1.2
Air tank volume	l	25	25
Air quality – filtration	µm	-	-
Maximum operating pressure of safety valve	bar	11.0	11.0
Noise level at 5 bar (L _{pA})	dB	≤69.0	≤55.0
Operating mode	%	S1-100	S1-100
PDP drying at 7 bar	°C	≤ -20	≤ -20
Dryer low pressure alarm	bar	< 3	< 3
Dryer high pressure alarm	bar	> 11	> 11
Dryer high dew point alarm	°C	> -20	> -20
Time to fill air tank from 0 to 7 bar	s	115	115
Dimensions (net) w x d x h	mm	460x620x720	560x720x880
Net weight ^{c)}	kg	71	112
Classification under EN 60601-1		Class I.	

^{a)} State the compressor variant in the order

^{b)} For other range of pressure consult with the supplier

^{c)} Weight value is only informative data and applies only to a product without any accessories

Dependence of compressor output on working pressure



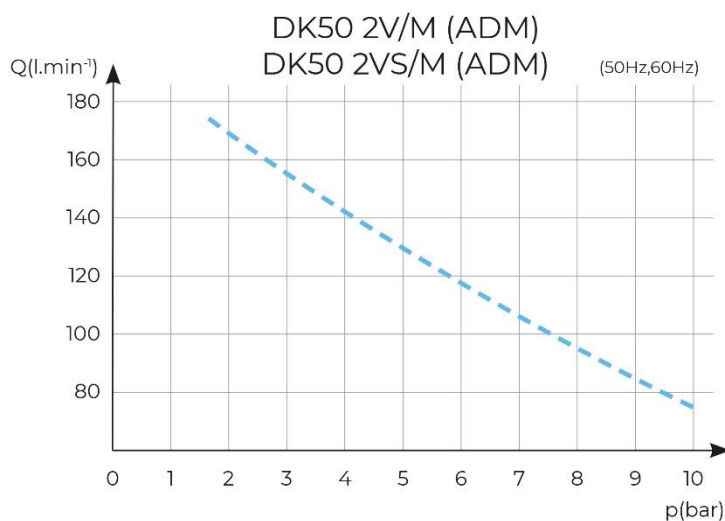
Working pressure 8 – 10 bar		DK50 2V/M	DK50 2V S/M
Nominal voltage, Frequency ^{a)}	V, Hz	230, 50	230, 50
Capacity at 8 bar (FAD)	l/min	95	95
Working pressure ^{b)}	bar	8.0 – 10.0	8.0 – 10.0
Rated current	A	8.6	8.8
Motor power	kW	1.2	1.2
Air tank volume	l	25	25
Air quality – filtration	µm	-	-
Maximum operating pressure of safety valve	bar	11.0	11.0
Noise level at 5 bar (L _{pA})	dB	≤69.0	≤55.0
Operating mode	%	S1-100	S1-100
PDP drying at 7 bar	°C	≤ -40	≤ -40
Dryer low pressure alarm	bar	< 3	< 3
Dryer high pressure alarm	bar	> 11	> 11
Dryer high dew point alarm	°C	> -40	> -40
Time to fill air tank from 0 to 7 bar	s	120	120
Dimensions (net) w x d x h	mm	460x620x720	560x720x880
Net weight ^{c)}	kg	71	112
Classification under EN 60601-1	Class I.		

^{a)} State the compressor variant in the order

^{b)} For other range of pressure consult with the supplier

^{c)} Weight value is only informative data and applies only to a product without any accessories

Dependence of compressor output on working pressure



FAD correction of capacity for altitude

Capacity given in the form of FAD („Free Air Delivery“) applies to the following conditions:

Altitude	0 m.n.m.	Temperature	20°C
Atmospheric pressure	101325 Pa	Relative humidity	0%

To calculate FAD compressor capacity in dependence on altitude, it is necessary to apply correction factor according to the following table:


Altitude [m.n.m.]	0 - 1500	1501 - 2500	2501 - 3500	3501 - 4500
FAD correction factor	1	0,8	0,71	0,60

Electromagnetic compatibility declaration

Medical equipment needs special precautions regarding electromagnetic compatibility (EMC) and needs to be installed and put into service according to the EMC information provided below.

Guidance and manufacturer's declaration - electromagnetic emissions		
Pursuant to IEC 60601-1-2:2014/AMD1:2020 - Medical electrical equipment - Part 1-2: General requirements for basic safety and essential performance - Collateral Standard: Electromagnetic disturbances		
The equipment is intended for use in the electromagnetic environment specified below. The customer or the user of the equipment should assure that it is used in such an environment.		
Emissions test	Compliance	Electromagnetic environment - guidance
RF emissions CISPR 11	Group 1	The equipment uses RF energy only for its internal functions. Therefore, the RF emissions are very low and are not likely to cause any interference in nearby electronic equipment.
RF emissions CISPR 11	Class B	The equipment is suitable for use in all establishments, including domestic establishments and those directly connected to the public low voltage power supply network that supplies buildings used for domestic purposes.
Harmonic emissions IEC 61000-3-2	Class A	
Voltage fluctuations/ flicker emissions IEC 61000-3-3	The equipment is not likely to cause any flicker, as the current flow is approx. constant after the start up.	

Guidance and manufacturer's declaration - electromagnetic immunity			
Pursuant to IEC 60601-1-2:2014/AMD1:2020 - Medical electrical equipment - Part 1-2: General requirements for basic safety and essential performance - Collateral Standard: Electromagnetic disturbances			
The equipment is intended for use in the electromagnetic environment specified below. The customer or the user of the equipment should assure that it is used in such an environment.			
Immunity test	IEC 60601-1-2 test level	Compliance level	Electromagnetic environment - guidance
Electrostatic discharge (ESD) IEC 61000-4-2	±8 kV contact ±15 kV air	±8 kV contact ±15 kV air	Floors should be wood, concrete or ceramic tile. If floors are covered with synthetic material, the relative humidity should be at least 30%.
Electrical fast transient/burst IEC 61000-4-4	±2 kV for power supply lines ±1 kV for input/output lines	±2 kV 100 kHz repetition frequency Applied to mains connection	Mains power quality should be that of a typical commercial or hospital environment.
Surge IEC 61000-4-5	±1 kV differential mode ±2 kV common mode	±1 kV L-N ±2 kV L-PE; N-PE Applied to mains connection	Mains power quality should be that of a typical commercial or hospital environment.
Voltage dips, short interruption, and voltage variations on power supply input lines IEC 60601-4-11	$U_T=0\%$, 0,5 cycle (at 0, 45, 90, 135, 180, 225, 270 and 315°) $U_T=0\%$, 1 cycle $U_T=70\%$ 25/30 cycles (at 0°) $U_T=0\%$, 250/300 cycles	$U_T=>95\%$, 0,5 cycle (at 0, 45, 90, 135, 180, 225, 270 and 315°) $U_T=>95\%$, 1 cycle $U_T=70\%$ (30% dipp U_T), 25(50Hz)/30(60Hz) cycles (at 0°) $U_T=>95\%$, 250(50Hz)/300(60Hz) cycle	Mains power quality should be that of a typical commercial or hospital environment. The device stops and restarts automatically at each dip. In this case does not occur unacceptable pressure drop.
Power frequency (50/60 Hz) IEC 61000-4-8	N/A	N/A	The equipment does not contain magnetically sensitive components or circuits.
Radiated fields in close proximity per IEC 61000-4-39	N/A	N/A	The equipment does not contain magnetically sensitive components or circuits.
NOTE: U_T is the A.C. mains voltage prior to application of the test level.			

Guidance and manufacturer's declaration - electromagnetic immunity			
Pursuant to IEC 60601-1-2:2014/AMD1:2020 - Medical electrical equipment - Part 1-2: General requirements for basic safety and essential performance - Collateral Standard: Electromagnetic disturbances			
The equipment is intended for use in the electromagnetic environment specified below. The customer or the user of the equipment should assure that it is used in such an environment.			
Immunity test	IEC 60601-1-2 test level	Compliance level	Electromagnetic environment - guidance
Conducted RF IEC 61000-4-6	3 Vrms 150 kHz to 80MHz	3 Vrms	<p>Portable and mobile RF communications equipment should be used no closer to any part of the equipment, including cables, than the recommended separation distance calculated from the equation applicable to the frequency of the transmitter.</p> <p>Recommended separation distance</p> $d=1,2\sqrt{P}$ $d=1,2\sqrt{P}, 80 \text{ MHz to } 800 \text{ MHz}$ $d=2,3\sqrt{P}, 800 \text{ MHz to } 2,7 \text{ GHz}$ <p>where P is the maximum output power rating of the transmitter in watts (W) according to the transmitter manufacturer and d is the recommended separation distance in metres (m).</p> <p>Field strengths from fixed RF transmitters, as determined by an electromagnetic site survey ^a, should be less than the compliance level in each frequency range ^b. Interference may occur in the vicinity of equipment marked with the following symbol:</p> 
Radiated RF IEC 61000-4-3	3 V/m 80 MHz to 2,7 GHz	3 V/m	
Proximity fields from RF wireless communications equipment IEC 61000-4-3	9 to 28 V/m 15 specific frequencies (380 to 5800 MHz)	9 to 28 V/m 15 specific frequencies (380 to 5800 MHz)	
NOTE 1 At 80 MHz and 800 MHz, the higher frequency range applies.			
NOTE 2 These guidelines may not apply in all situations. Electromagnetic propagation is affected by absorption and reflection from structures, objects and people.			
^a Field strengths from fixed transmitters, such as base stations for radio (cellular/cordless) telephones and land mobile radios, amateur radio, AM and FM radio broadcast and TV broadcast cannot be predicted theoretically with accuracy. To assess the electromagnetic environment due to fixed RF transmitters, an electromagnetic site survey should be considered. If the measured field strength in the location in which the equipment is used exceeds the applicable RF compliance level above, the equipment should be observed to verify normal operation. If abnormal performance is observed, additional measures may be necessary, such as re-orienting or relocating the equipment.			
^b Over the frequency range 150 kHz to 80 kHz, field strengths should be less than 3 V/m.			

INSTALLATION**Risk of incorrect installation.**

Only a qualified professional can install the compressor and place it into operation for the first time. His obligation is to train the operating personnel on the use and maintenance of the device. He shall confirm installation and training of operators by an entry into the installation record. (See warranty card)

10. INSTALLATION CONDITIONS

- The compressor may only be installed and operated in dry, well-ventilated and dust-free rooms with conditions stated in Technical data

**Risk of damage to the device.**

Do not operate the device in outdoor environment or in humid or wet rooms.

**Explosion risk.**

Do not install the device in any rooms, in which explosive gases, dusts or flammable liquids may be present.

- The compressor must be installed in such a way, that it is accessible at all times for operation and maintenance and label on the device is accessible.
- The compressor must stand on a flat, sufficiently stable base (be aware of the compressor weight, see Technical data).



You may notice a “new product” odour when you first place the product into service (for a short period of time). This odour is temporary and does not impede the normal use of the product. Ensure the space is properly ventilated after installation.

11. COMPRESSOR ASSEMBLY**11.1. Manipulation and fixation removal**

- Unpack the compressor from the packaging.
- For compressors with a cabinet, open the front door and remove the connecting strip (17) in the front lower part. Remove the cabinet from the compressor.
- Put the compressor at the place of operation (Fig. 4).

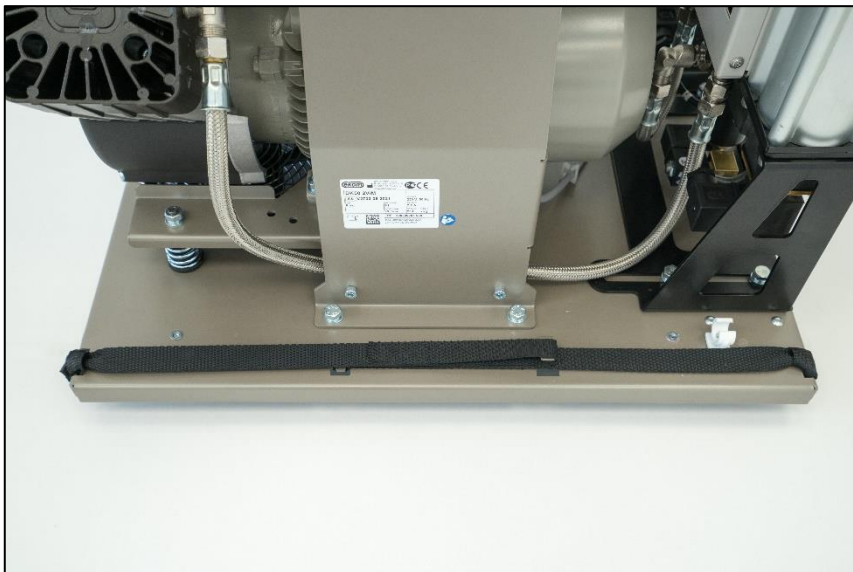
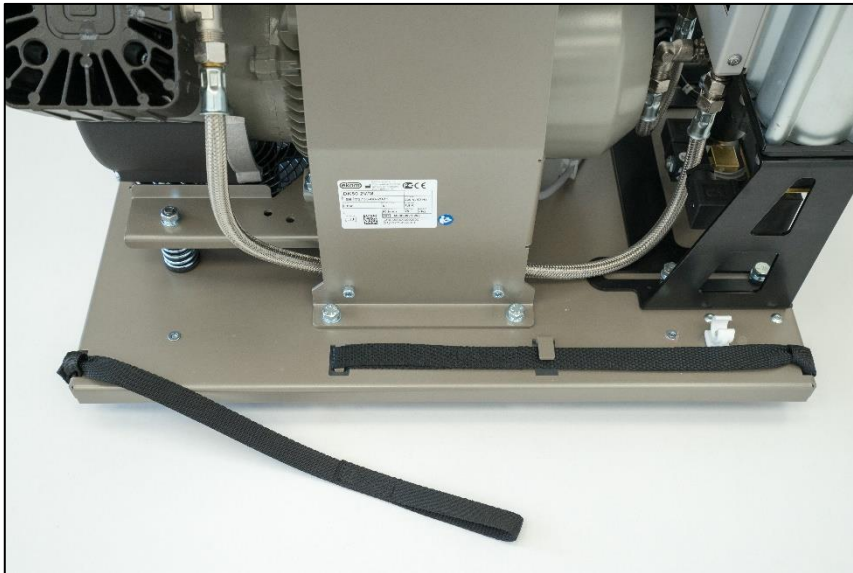


Use handling straps and the handle on the compressor to move the compressor as needed. Do not use other parts of the compressor (the air pump, cooler, etc.) for gripping.



The number of persons required to handle the equipment must be matched to the weight of the device.

Fig. 4: Manipulation with the compressor using handling straps



Securing of handling straps after putting compressor at the place of operation

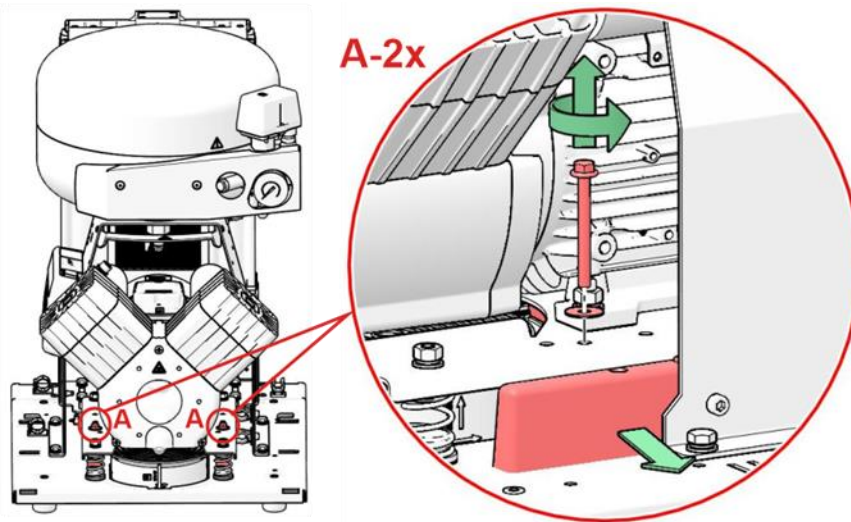
- Remove transport fixing elements from the pumps (Fig. 5).



Prior to installation, ensure that the compressor is free of all transport packaging and stabilizers to avoid any risk of damage to the product.

Remove fixing elements of the pumps once the compressor has been assembled and balanced at the final installation place.

Fig. 5: Releasing the pump



12. PNEUMATIC CONNECTION

12.1. Connecting to the compressed air outlet

- Connect the pressure hose (2) to the compressed air outlet (1) of the compressor (Fig. 6).
- Secure the pressure hose in the clamp (3) (Fig. 6).
- Route the pressure hose through the opening on the left side in the back wall of the cabinet (Fig. 8) on compressors in cabinet.

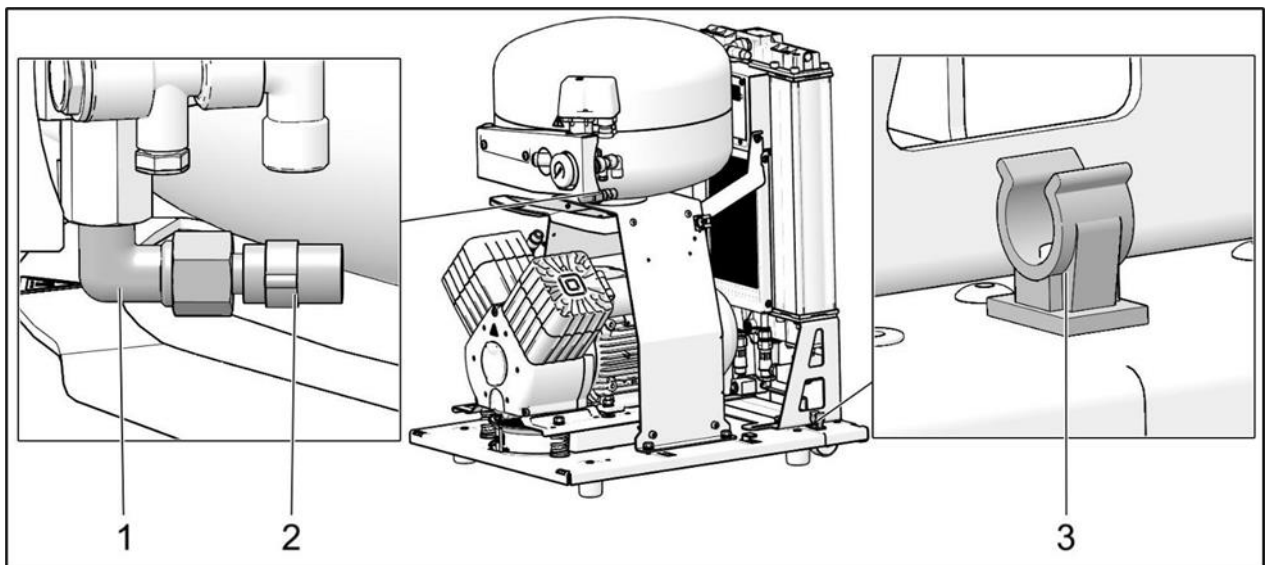


Fig. 6: Connecting to the compressed air outlet

12.2. Connecting the cabinet pressure gauge to the compressor

- Remove the plug (1) from the threads (2) on the pneumatic block of the compressor.
- Connect the cabinet pressure gauge hose to the threaded fitting.

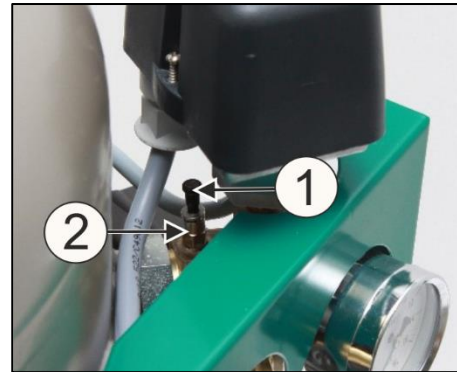


Fig. 7: Connecting the cabinet pressure gauge to the compressor

12.3. Connecting the condensate vessel

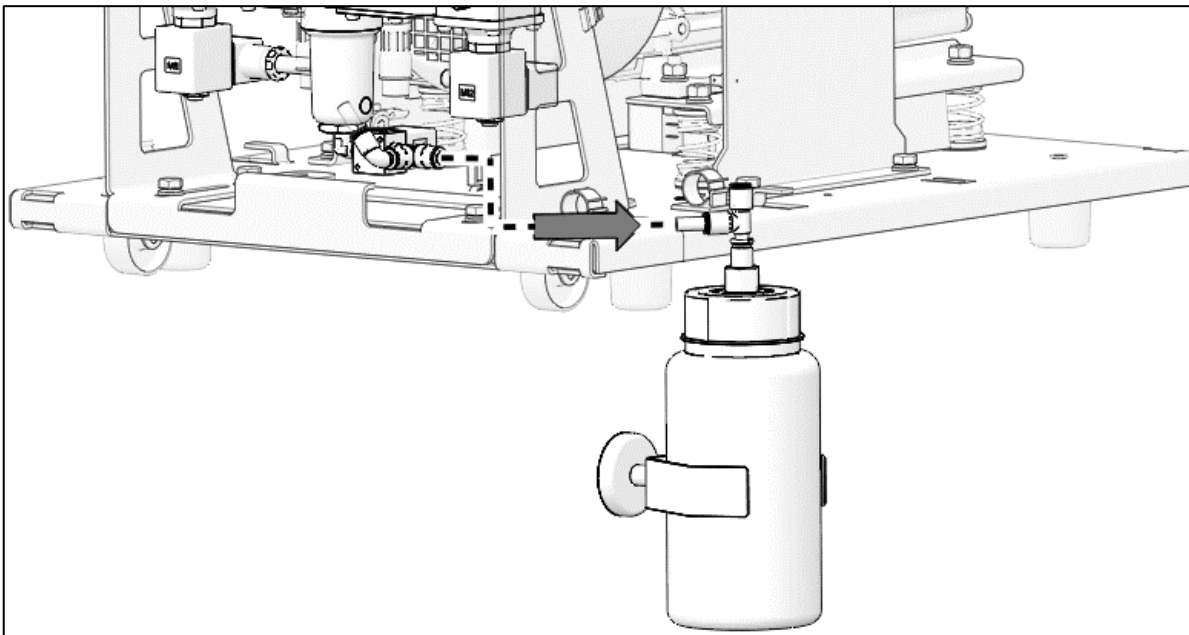
- Connect the condensate drain hose to the condensate bottle on compressors in cabinet. (Fig. 8)
- Put the plug in free inlet of the condensate collection vessel.
- Route the hose through the opening in the rear wall of the cabinet for compressors with dryers. Connect the condensate collection tank using the hose to the condensate outlet on the dryer.

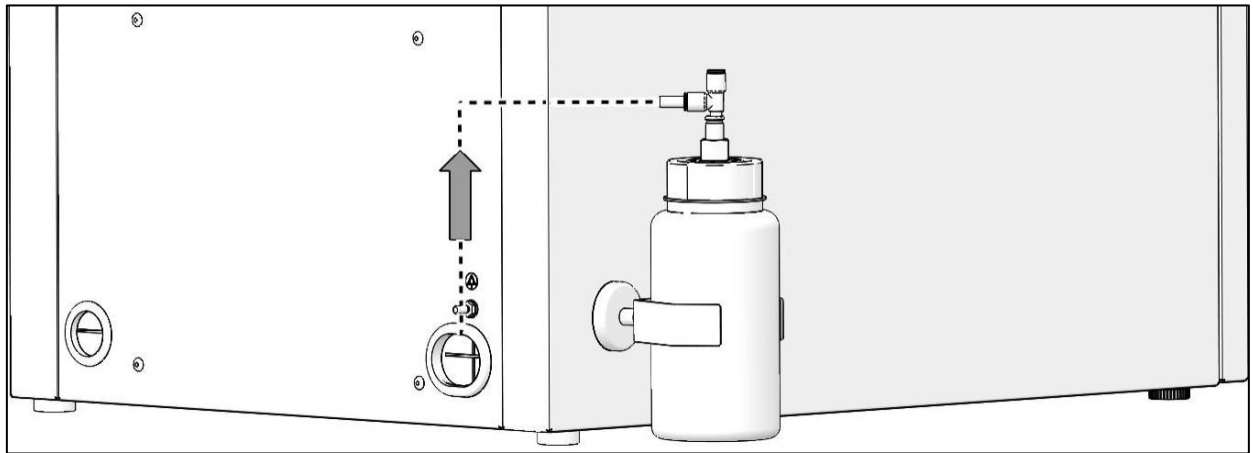


Injury hazard.

Do not connect the condensate drain directly to a waste drain! Passers-by may be injured!

Fig. 8: Connection of condensate collection vessel





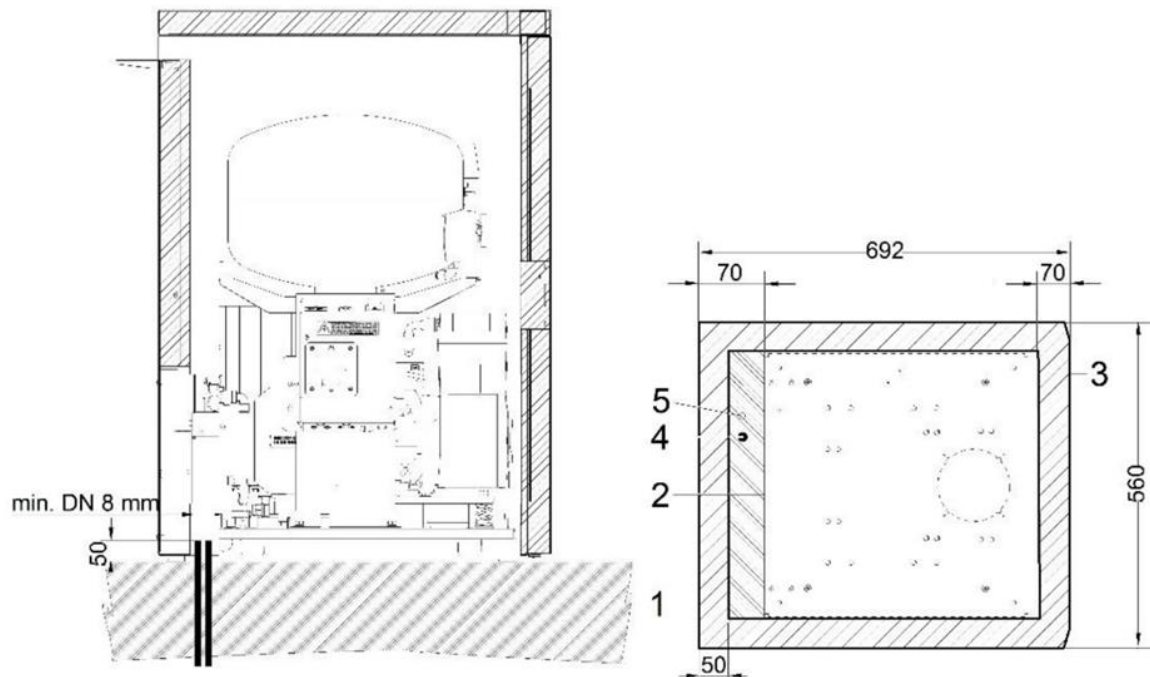
Risk of damage to pneumatic components.

Air hoses must not be broken.

12.4. Floor installation

Connect the compressor using the hoses prepared in advance in the floor, as per the installation plan.

Fig. 9: Floor installation



Description to Fig. 9:

- | | |
|---------------------------|-----------------------------------|
| 1. Outline of the cabinet | 4. Compressed air connection G3/8 |
| 2. Outline of the base | 5. Power supply input |
| 3. Front section - door | 230V/50(60) Hz |
| | 3G1.0x4000 |

- All dimensions are in millimetres
- Distance from wall min. 100 mm

13. ELECTRICAL CONNECTION

- The product is delivered with a cord equipped with a plug with earthing pin.
- Keep the socket easily accessible to ensure that the device can be safely disconnected from the mains.
- The corresponding circuit must be protected in the power distribution max. 16 A.



Risk of electric shock.

it is necessary to follow all local electrotechnical regulations. The mains voltage and frequency must comply with the data stated on the device label.



Risk of fire and electric shock.

Electrical cable must not be in contact with hot compressor components.



Risk of fire and electric shock.

Electrical cord must not be broken.



DK50 2V S/M compressor cabinet, variant 6-8 bar, is equipped with a cooling fan and a switch. The cabinet must be connected using the cord with a connector to a connector at the compressor electrical box.

- Connect the pin for equipotential bonding \varnothing 6 mm (1) to the electrical circuit using the defined method under valid electrical engineering regulations.
- The socket for equipotential bonding (2) is an accessory and is not provided in the basic package.



Fig. 10: Equipotential bonding

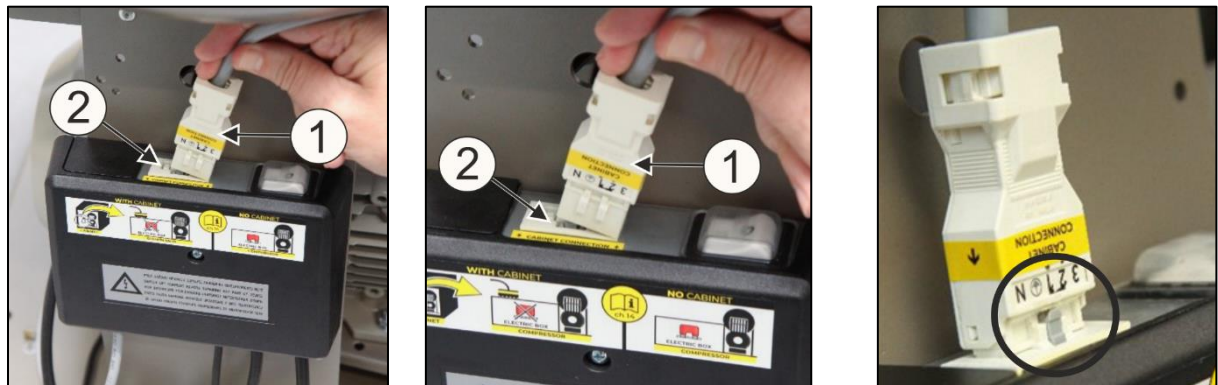
13.1. Connecting a compressor not installed in a cabinet

- Insert the mains plug into a rated mains socket.
- The compressor is ready for operation.

13.2. Connecting a compressor installed in a cabinet

- Route the mains plug through the opening in the rear wall of the cabinet for cabinet-mounted compressors.
- Connect the cabinet electrically to the compressor by inserting the provided power cord with connector (1) into an outlet. (Fig. 11)
- Disconnect the cabinet electrically from the compressor by pulling the connector (1) from the outlet while the latch is released.
- Condition the display at the front door of the cabinet and then secure the cord to the display in the clamps. (Fig. 16)

Fig. 11: Connecting a compressor installed in a cabinet



14. COMPRESSOR PLACEMENT IN THE CABINET

- Position the compressor within a distance of at least 500 mm from the cabinet to facilitate the movement of the hoses and the power cord within the cabinet (Fig. 12).

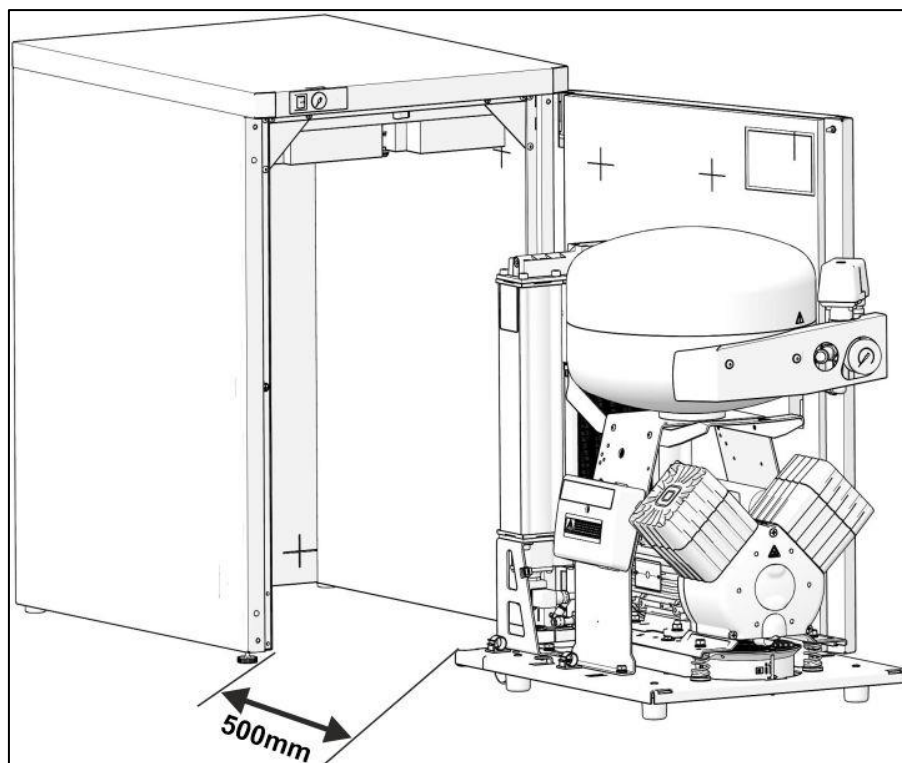


Fig. 12: Positioning of the compressor for connections

- Make the pneumatic connections per Chapter 12.1.
- Connect the condensate collection tank per Chapter 12.3.
- Route the pressure hose, the condensate drain hose, and the power cord through the opening in the rear wall of the cabinet.
- Position the compressor at such a distance from the cabinet so the WINSTA connector can make the electrical connection between the compressor and the cabinet (Fig. 11, Fig. 13).

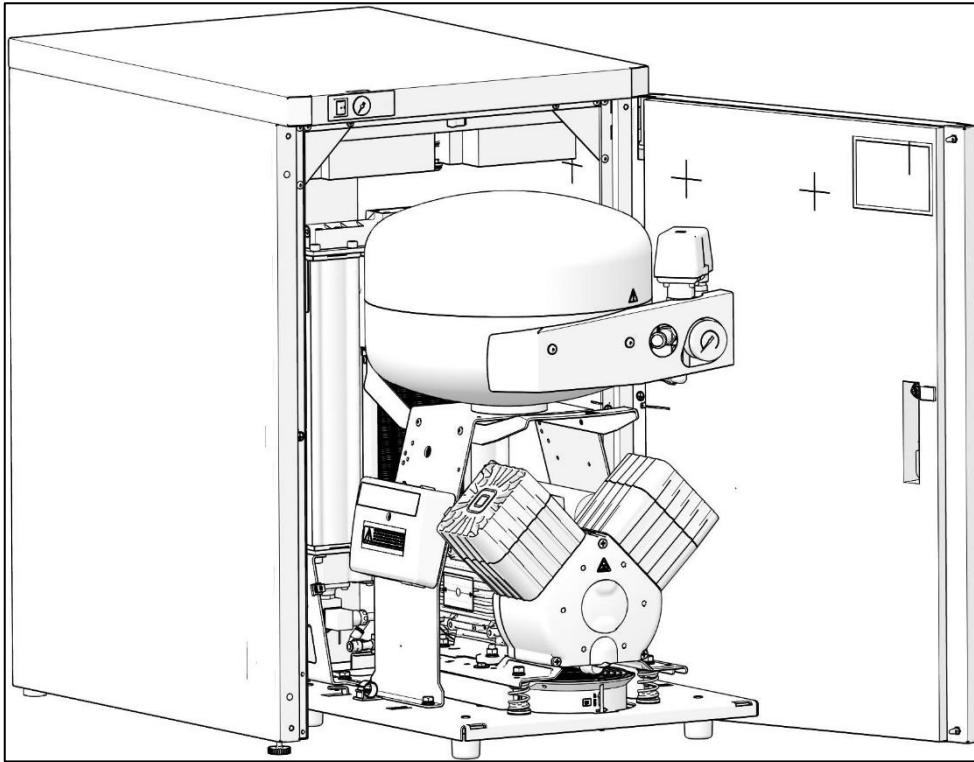


Fig. 13: Positioning the compressor for electrical connections

- Electrically connect the compressor per Chapter 13.
- Slide the compressor into the cabinet and secure with the connecting strip (17).



A compressor with air dryer must not be inserted to the cabinet to the stop as there is a risk of permanent damage to the dryer.

- Check to ensure the compressor is fully inserted into the cabinet using the control dimension (Fig. 14).

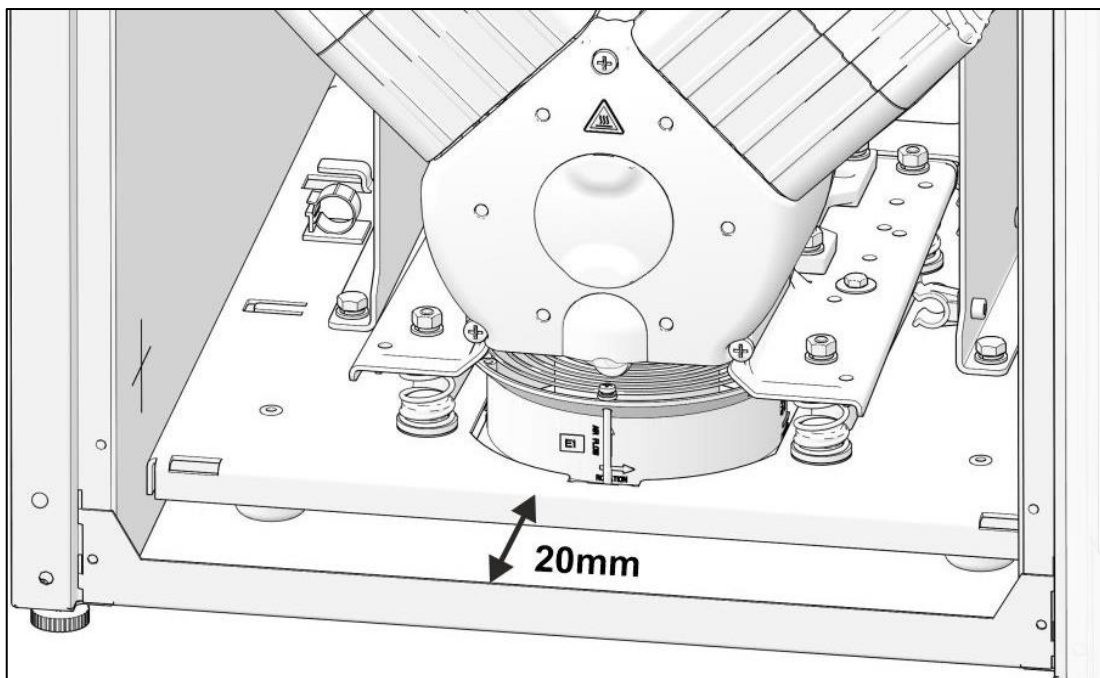


Fig. 14: Positioning of the DK50 2V/M compressor in the cabinet

- Connect the cabinet pressure gauge to the compressor per Chapter 12.2.
- Connect the display in the front door of the cabinet (Fig. 15), and secure the cord to the display in the clamps (Fig. 16).



Fig. 15: Connecting the display connector

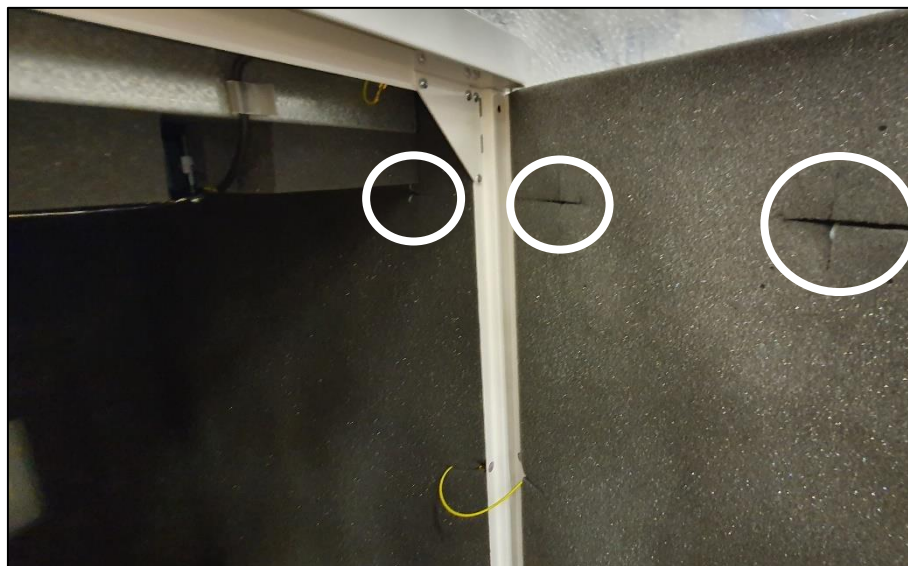


Fig. 16: Position of the clamps in the cabinet

15. COMMISSIONING

- Check if all fixing elements used during transport have been removed.
- Check correct connection of compressed air (see chapter 12).
- Check correct connection to the mains (see chapter 13)
- Check position of the circuit breaker switch, it must be in position „I“. If it is in position „0“, turn the switch (2) to position „I“ (Fig. 17)
- On compressor in the cabinet, switch the switch (5) on the front side of the cabinet to position „I“, the green light indicates the device status in operation. (Fig. 17).

- Check connection of the cabinet manometer hose to the pneumatic block of the compressor.
- Check the connection of the condensate collection vessel. (see chap. 12.3)
- Check the connection of the display at the front door of the cabinet.
- Set the language, time and drying mode (see chap. 20.2) on the compressor display.

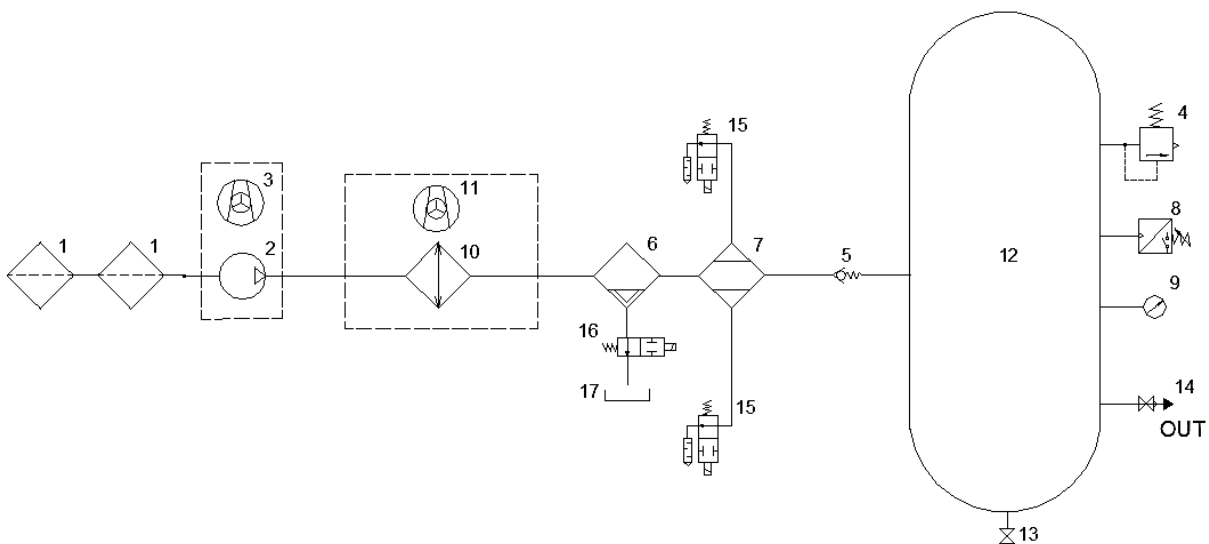


The compressor is not equipped with a backup power supply.

16. PNEUMATIC AND ELECTRICAL DIAGRAMS

16.1. Pneumatic diagram

DK50 2V/M, DK50 2V S/M



Description to pneumatic diagrams:

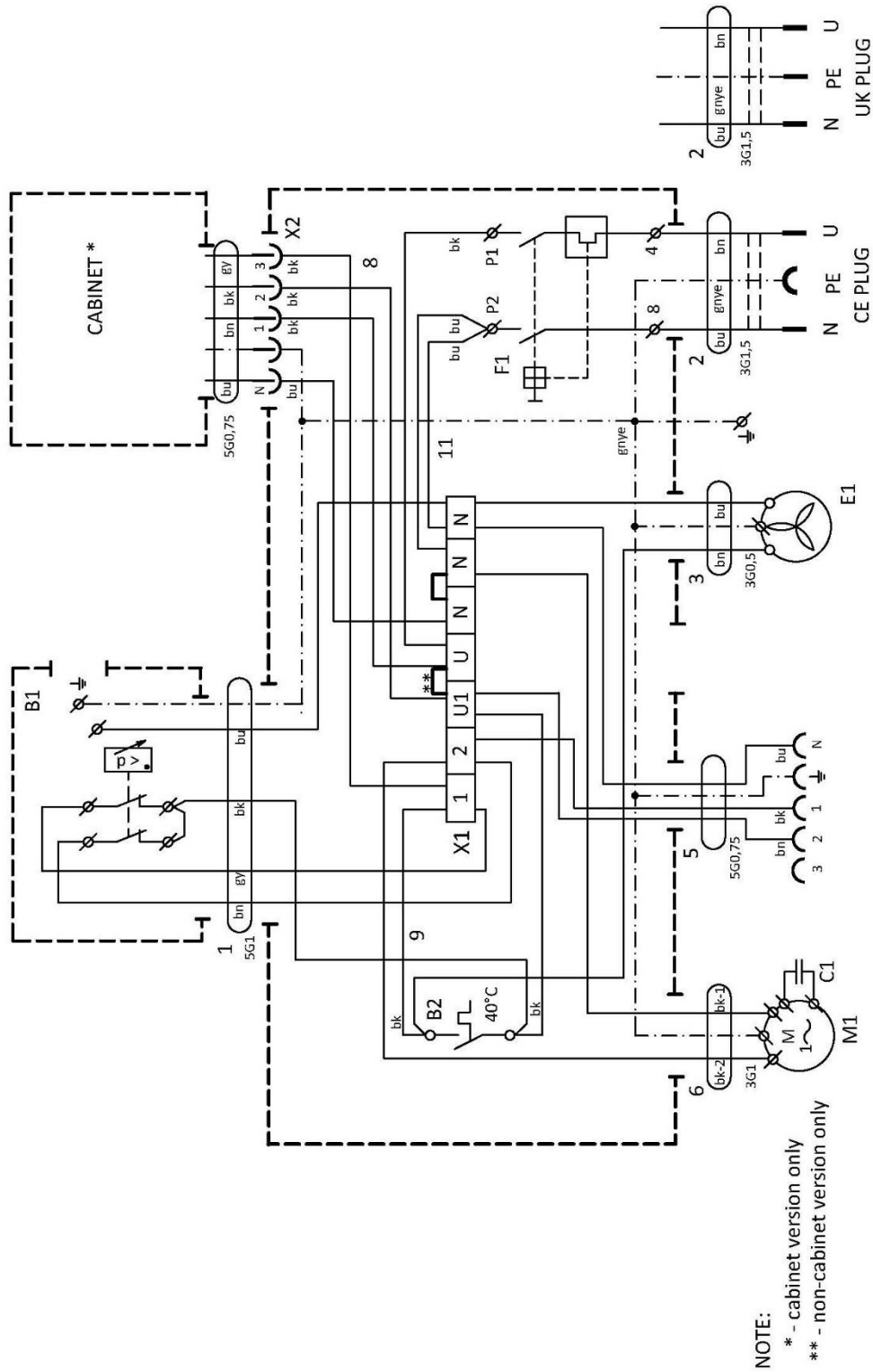
- | | |
|------------------------|--------------------------------------|
| 1 Inlet filter | 10 Cooler |
| 2 Air pump | 11 Cooler fan |
| 3 Fan | 12 Air tank |
| 4 Safety valve | 13 Condensate drain valve |
| 5 Non-return valve | 14 Outlet valve |
| 6 Condensate separator | 15 Solenoid valve – regeneration |
| 7 Dryer | 16 Solenoid valve – condensate drain |
| 8 Pressure switch | 17 Condensate collection vessel |
| 9 Pressure gauge | |

16.2. Electrical diagram

DK50 2V/M, DK50 2V S/M

1/N//PE 230 V, 50 Hz

ELEKTRIC OBJECT OF 1st. CAT.



Note:

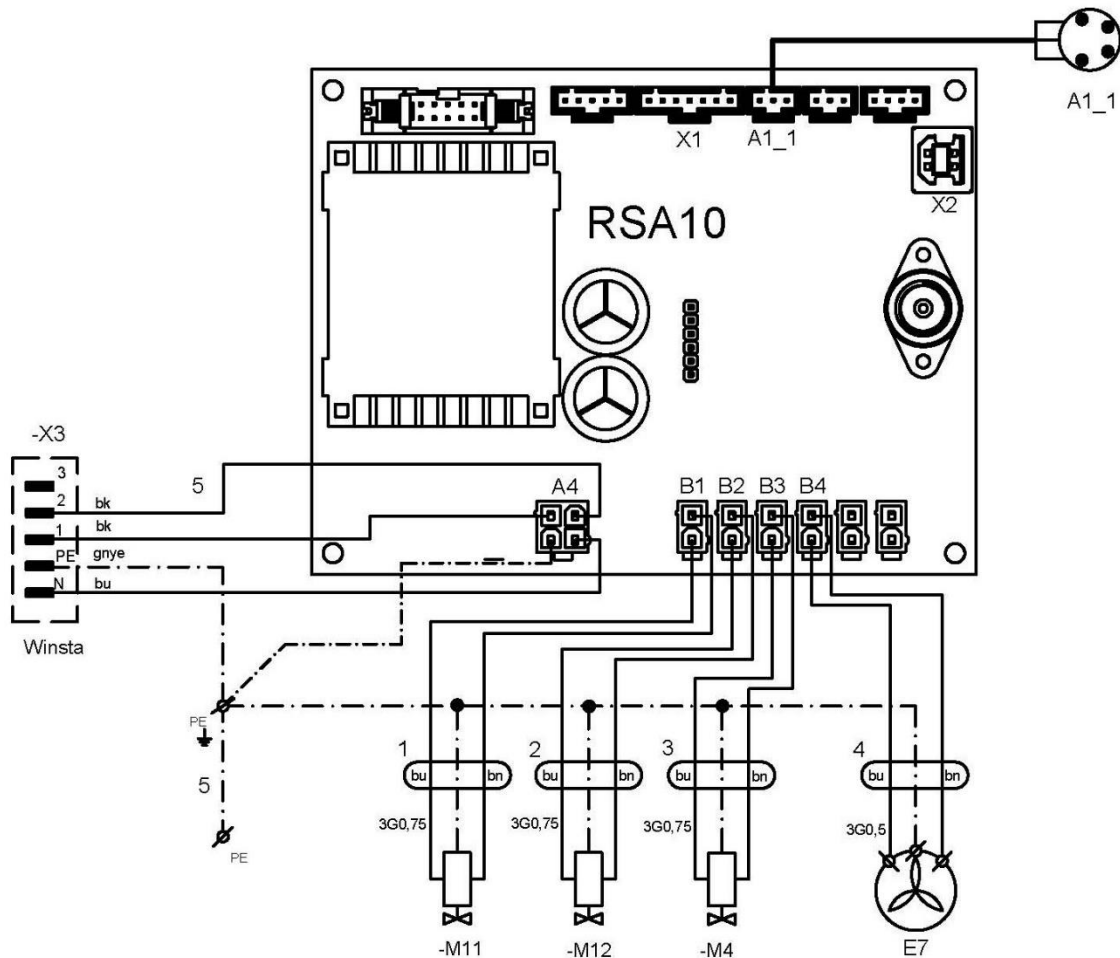
- Only connect the jumper for compressors without cabinet (see chap. 23.10)

AD140

1/N/PE ~ 230V, 50Hz / 230V, 60Hz

~ 120V, 60Hz

ELEKTRIC OBJECT OF 1st. CAT.

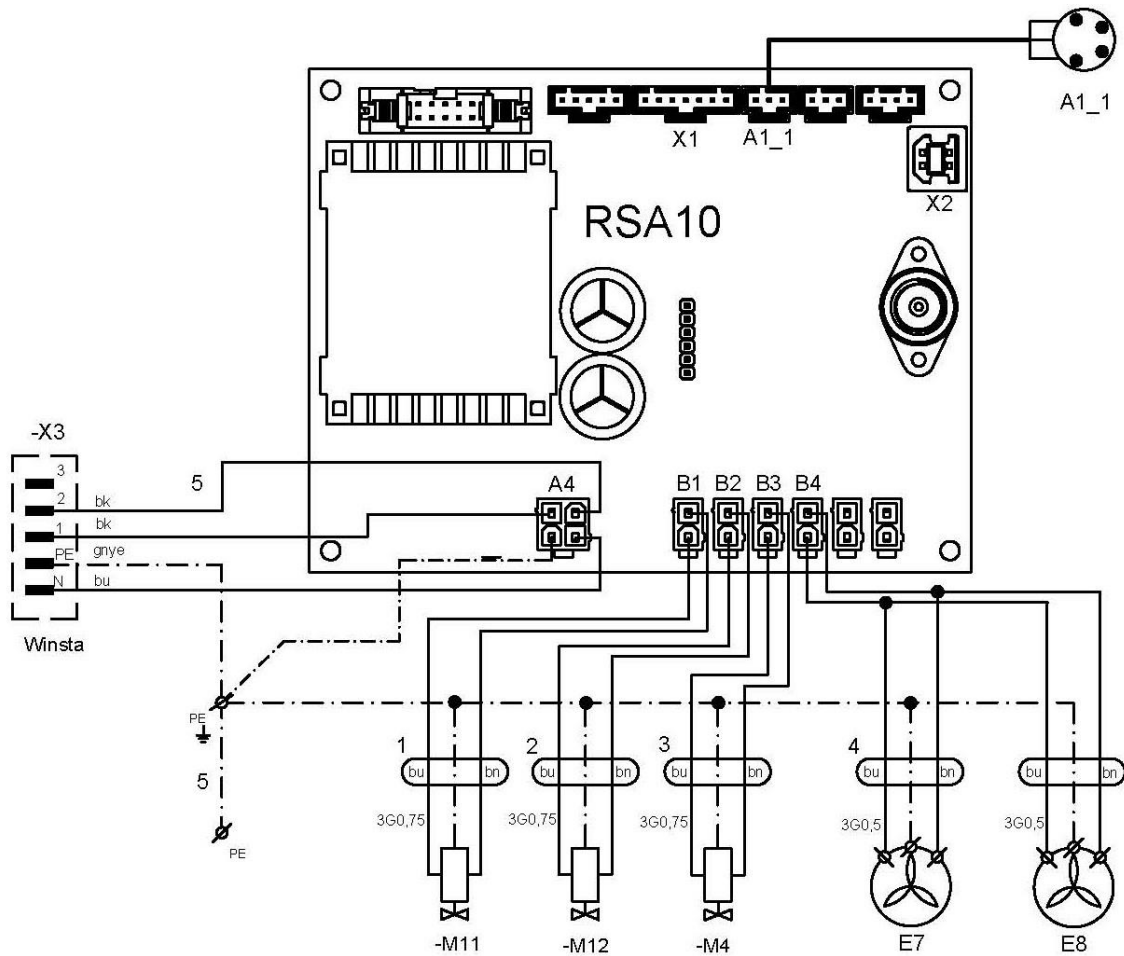
**Note:**

- The dew point sensor (A1_1) is not included with the dryer; please contact your supplier for more information.

AD280

1/N/PE ~ 230V, 50Hz / 230V, 60Hz
 ~ 120V, 60Hz

ELEKTRIC OBJECT OF 1st. CAT.



Note:

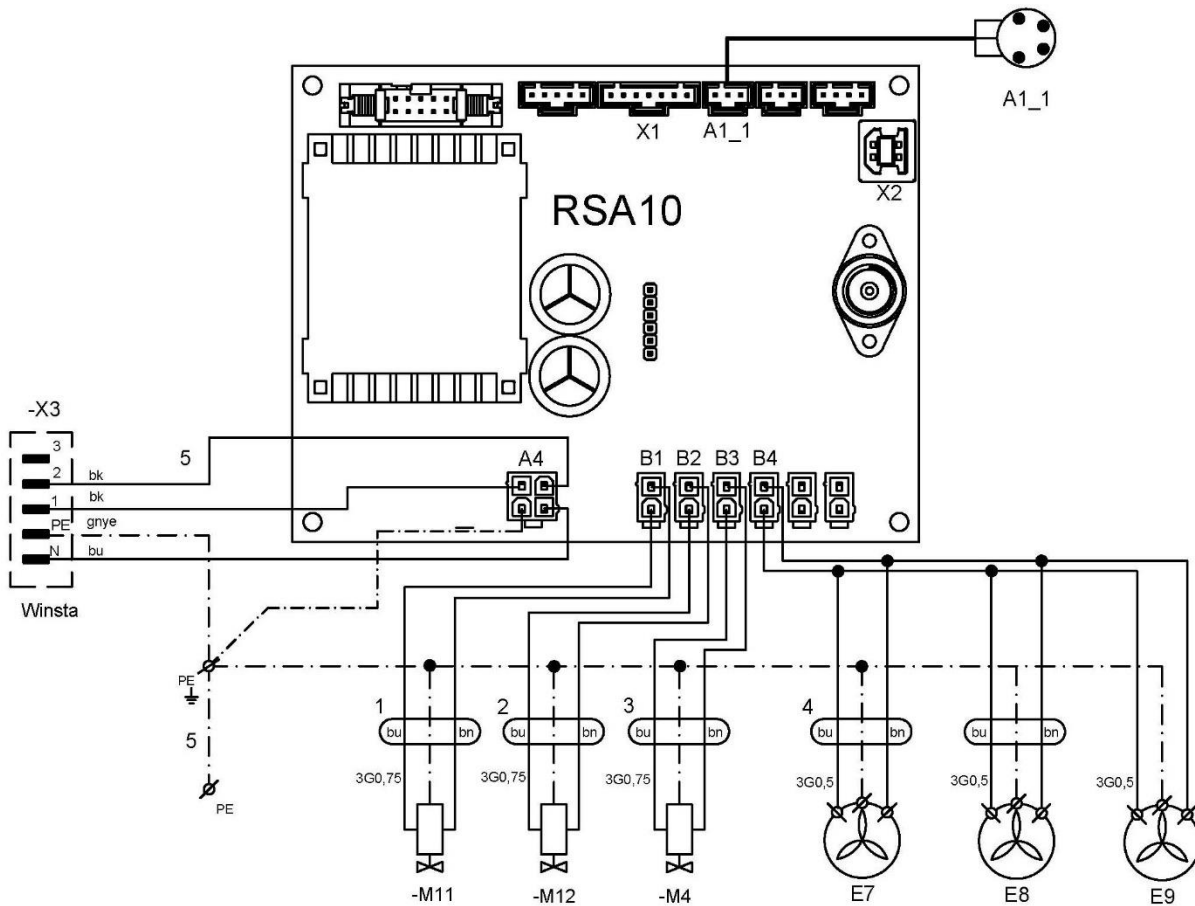
- The dew point sensor (A1_1) is not included with the dryer; please contact your supplier for more information.

AD500

1/N/PE ~ 230V, 50Hz / 230V, 60Hz

~ 120V, 60Hz

ELEKTRIC OBJECT OF 1st. CAT.

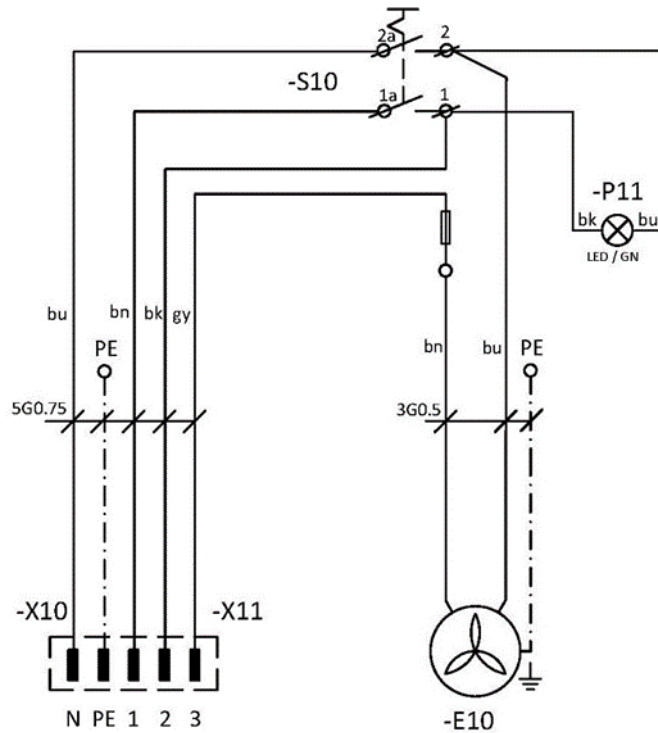
**Note:**

- The dew point sensor (A1_1) is not included with the dryer; please contact your supplier for more information.

Compressor cabinet

1/N/E 230 V, 50 Hz

ELEKTRIC OBJECT OF 1st. CAT.



Description to electrical diagrams:

M1	Compressor motor	F1	Circuit breaker switch
E1	Compressor fan	S10	Switch
E7-E9	Dryer fan	P11	Indicator
E10	Cabinet fan	RSA 10	Controller
B2	Temperature switch	M11, M12	Solenoid valve - regeneration
X10,X11	Connector	M4	Relief solenoid valve
B1	Pressure switch	X2, X3	Socket
X1	Terminal box	A1_1	Dew point sensor connector

OPERATION

THE EQUIPMENT MAY ONLY BE OPERATED BY THE TRAINED STAFF!



Risk of burn or fire.

During compressor operation, the pump parts may heat to temperatures dangerous for contact with persons or materials.



Warning – compressor is controlled automatically.

Automatic start-up. When pressure in the pressure tank drops to switch-on pressure, the compressor automatically switches on. The compressor automatically switches off, when pressure in the air tank reaches the switch-off pressure.



Hazard of damage to pneumatic components.

Working pressures of the pressure switch set by the manufacturer must not be changed. If the compressor operates at higher working pressure than the switch-on pressure, it means that the air consumption is too high (see Chapter Malfunctions)



Hazard of damage to dryer.

When the dryer is operated at ambient temperature that is higher than maximum operating temperature stated in Technical data, the dryer can be damaged.



Required drying performance can only be achieved when the defined operating conditions are followed.

Drying performance decreases and the achieved dew point drops if the dryer is operated at any pressure below the minimum working pressure.



During longer operation of the compressor, the temperature in the surrounding of the compressor increases above 40 °C and the cooling fan switches on automatically. After cooling the space below 32 °C, the fan switches off.

17. SWITCHING ON THE COMPRESSOR

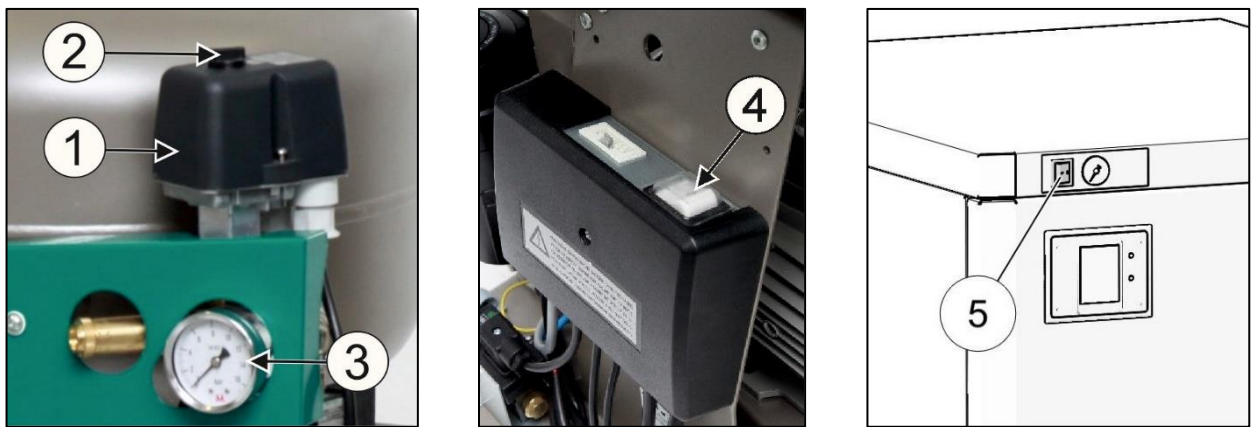
Start the compressor (without a cabinet) at the pressure switch (1) by turning the switch (2) to position "I." This starts the compressor and fills the tank to the switching off pressure, which then shuts off the compressor.

Start the compressor (with a cabinet) at the switch (5) on the front side of the cabinet. This starts the compressor and fills the tank to the switching off pressure, which then shuts off the compressor.

The compressor operates in automatic mode, switched on and off by the pressure switch, depending on compressed air consumption.

Check the values of the switch-on and switch-off pressure using the pressure gauge (3). A tolerance of $\pm 10\%$ is acceptable. The pressure in the air tank must not exceed the permitted operating pressure.

Fig. 17: Switching on the compressor



- **Compressor** – when first started and placed into service, the compressor fills the air tank until the switching pressure and the pressure switch turn off the compressor. The compressor operates in automatic mode, switched on and off by the pressure switch, depending on compressed air usage.
- When the compressor is running, the compressed air passes through a cooler and a dryer that removes moisture from the compressed air.
- Condensate is also blown out of the drain on the dryer, which can be heard as a hiss when the compressor shuts down or when the drying chambers switch.



Risk of damage to pneumatic parts.

The pressure switch (1) was set up by the manufacturer and any other changes to its settings may be performed only by a qualified technician trained by the manufacturer.

18. SWITCHING OFF THE COMPRESSOR

- Switching off the compressor due to service or any other reason shall be performed using the pressure switch (1) by turning the switch (2) to position „0“ (Fig. 17) and **pulling out the mains plug from the socket**. This disconnects the compressor from the mains supply
- Vent the pressure in the air tank to zero by opening the drain valve.

AD DRYER

19. PRINCIPLE OF OPERATION

The dryer is controlled by a signal from the compressor pressure switch.

When the compressor is running, compressed air enters the cooler where it is cooled, and a portion of the condensed moisture is separated in the integrated cyclical separator. Solenoid valve V3 is located in the bottom of the separator, and it drains off the condensate from the separator at regular intervals.

Air then passes to the chamber of logic valve OR1, which senses the pressure. If the pressure in the valve chamber does not reach $P1 = 3$ bar, regeneration solenoid valves V1 and V2 (normally closed type) remain closed and regeneration is not initiated. If the pressure in the logic valve chamber exceeds a minimum of 3 bar, the chambers switch based on the logic described in Subsection 19.1.

When the signal from the compressor pressure switch deactivates, regeneration valves V1 and V2 open for a short time to vent the compressor aggregate and to vent the dryer chambers.

Dryer venting and regeneration is completed via the hose shared with the condensate separator drain and for this reason the condensate outlet cannot be connected directly to a drain.

19.1. Dryer regeneration

Dryer regeneration is initiated when working pressure $P1 = 3$ bar. During regeneration, valves V1 and V2 switch cyclically, whereby there is a short delay (dT) to equalise the pressures in the chambers and during which both valves are closed before each switching cycle.

Working pressure is in chamber 1 and the chamber is in the drying phase, while there is atmospheric pressure in chamber 2 and this chamber is in the regeneration phase. The chamber is regenerated by air passing through the dryer nozzle.

19.2. Energy saving mode (only for models with a dew point sensor)

Dryers equipped with a dew point sensor have additional control over the purge air so as to maintain the defined dew point.

Once the required dew point is met, regeneration is stopped to optimise the quantity of purge air. When regeneration is stopped, both valves V1 and V2 are closed (and therefore chamber purging with dry air is stopped).

They continue to alternate following their standard interval to equalise the loading on the chambers.

If the dew point increases, *Energy saving* mode is deactivated and the dryer continues to operate with regeneration activated.

Duration of deactivated regeneration mode

Energy saving mode with deactivated regeneration is time limited. One cycle with the standard regeneration of both chambers is added after the end of a defined interval (4 chamber switches).

19.3. Alarm system

All device alarms are classified as low priority technical alarms pursuant to EN 60601-1-8. Every alarm is indicated by a corresponding visual signal (see Chapter 20) and the visual signal flashes. Call an authorised service provider to conduct repairs required in the event of a failure.

Alarm states indicate a potential failure of the device. Therefore, alarm signals may not be deactivated.

All alarm signals are intermittent – when the cause of the alarm no longer exists, the alarm signals are deactivated.

Operator's position. No specific operator's position is required. The operator may remain within range of a visual warning signal depending on actual operating conditions.

Low pressure. This signal is active when the dryer pressure sensor reads low pressure in the dryer under the defined limit of 3 bar. An air leak from the compressor/dryer, malfunction of the control solenoid valves on the dryer or a software error may activate this alarm during operation.

High pressure. This signal is active when the dryer pressure sensor reads an increase in pressure over the high limit. The aggregate will then shut down and remain shut-down until the pressure decreases. If the aggregate does not shut down, excess pressure is vented by the safety valve on the compressor's air tank.

High dew point. This signal is active when the dew point sensor reads a high dew point value.

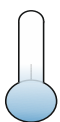
Expiration of service interval. This signal is activated until service is performed and the interval reset, or a new service interval is entered.

20. USER INTERFACE/SETTINGS

20.1. Meaning of symbols on the display



Symbol representing the user manual, or to read the user manual.



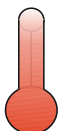
Symbol expressing the ambient temperature (from 25°C) related to the selected mode.

The program adjusts the chamber pre-filling in the given mode.



Symbol expressing the ambient temperature (from 25°C to 30°C) related to the selected mode.

The program adjusts the chamber pre-filling in the given mode.



Symbol expressing the ambient temperature (over 30°C) related to the selected mode.

The program adjusts the chamber pre-filling in the given mode.



Back to the main menu on the 4 main screens.



Go back.



Symbol for the service interval.



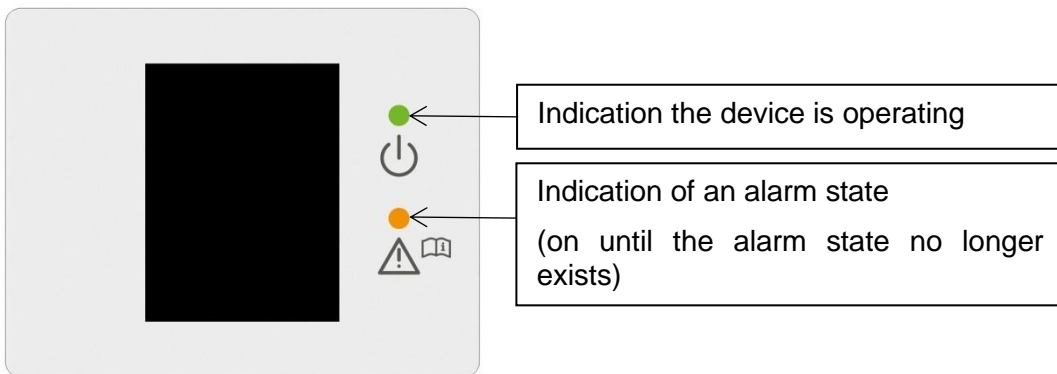
Symbol for when the dryer chamber is currently in regeneration.



Symbol for when the dryer chamber is currently drying.

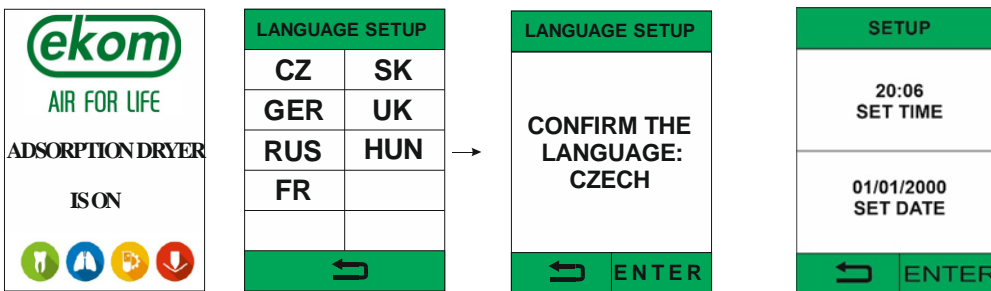


Symbol for chamber pre-filling – equalisation of pressure in chambers.



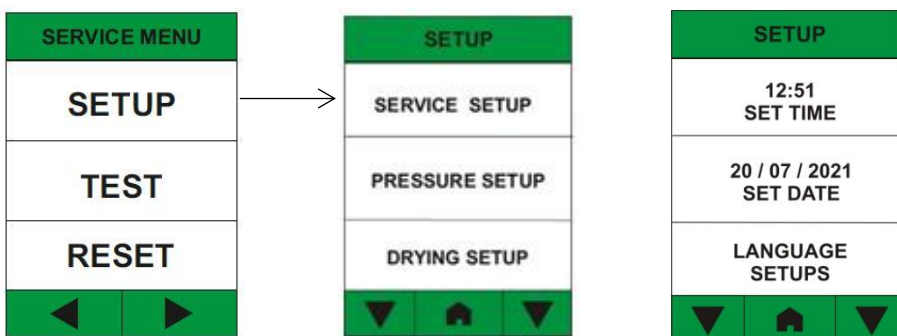
20.2. Initial settings for the user interface

The option to select language, time and date appears when the program is first launched. The service technician selects the given language, time and date during installation based on the geographic location of the dryer installation. The program saves and remembers this setting. The option does not appear when the program is restarted. Confirming this option will also start the service hours countdown.



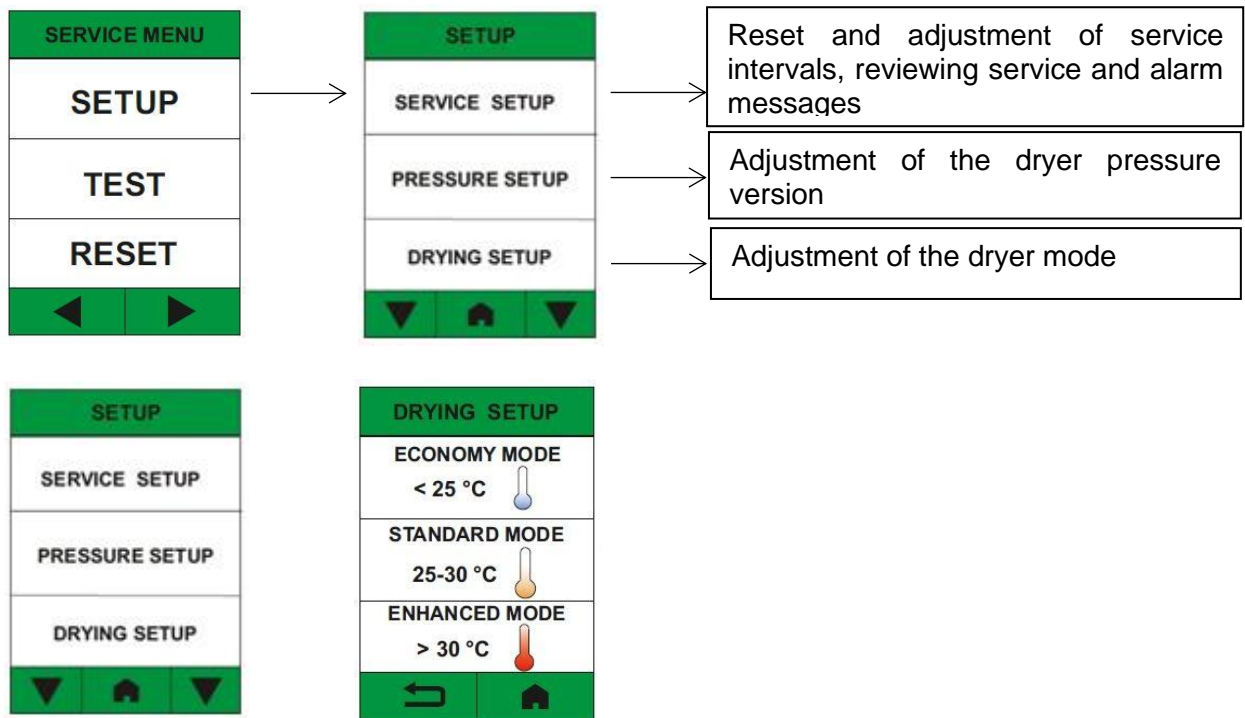
20.3. Setting the date and time during commissioning

It is recommended to set the date and time during commissioning. These settings are changed in the service menu in the SETUP section. Access to the service menu is protected by a code (1992). In SETUP you have to tap down arrow to set date and time. In the same way, it is possible to reset the user interface language via LANGUAGE SETUP.



20.4. Setting the drying mode during commissioning

It is recommended to set the air-drying mode during commissioning. These settings are changed in the service menu in the SERVICE SETUP section. Access to the service menu is protected by a code.



The drying mode is set based on the expected pressure range in which the device will operate and the version of the compressor (with or without a cabinet).

- compressor without a cabinet $t_0 < 25\text{ °C}$ - set to ECONOMY mode
- compressor without a cabinet $t_0 = 25\text{ °C} - 30\text{ °C}$ - set to STANDARD mode
- compressor without a cabinet $t_0 > 30\text{ °C}$ - set to ENHANCED mode
- compressor in cabinet - set to ENHANCED mode

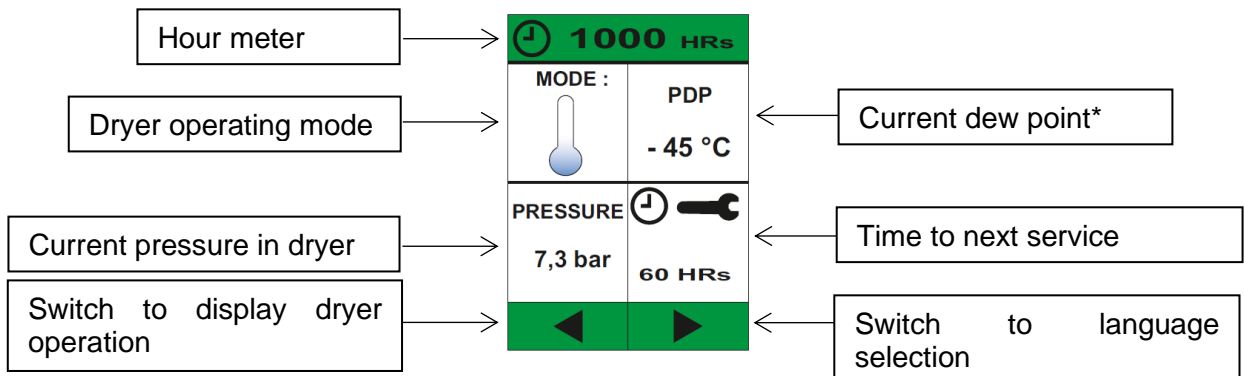
t_0 - ambient temperature

21. MAIN SCREENS

The home screen opens once the user interface language and drying mode are set. There are 4 main screens accessed from the home screen.

The arrows at the bottom of the screen are used to navigate between the individual screens.

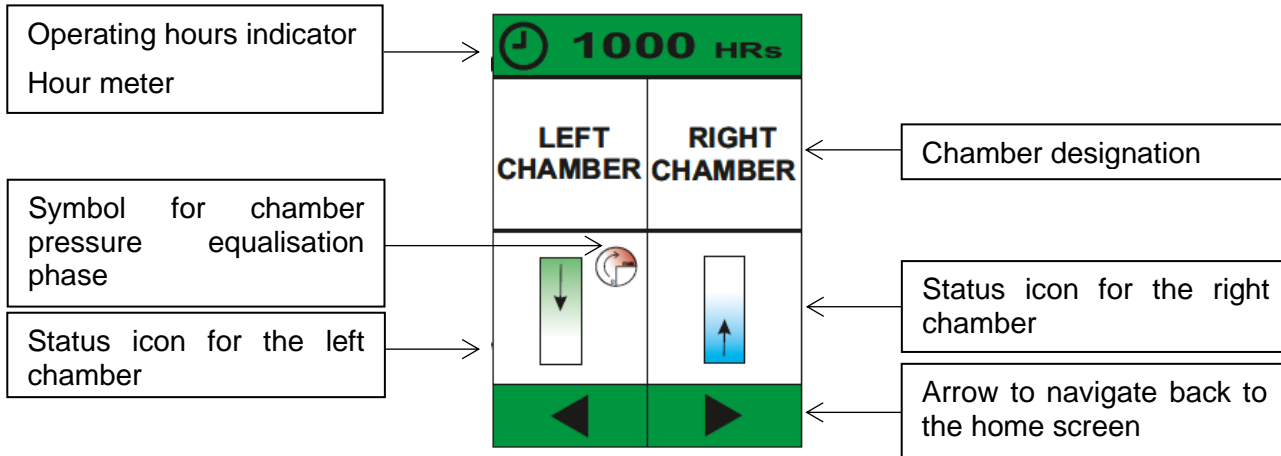
21.1. Home screen



(*this information is only shown if the compressor is equipped with a dew point sensor)

- Basic information and measured parameters are shown on the dryer home screen. The dryer operating hours indicator is located at the top of the screen. The home screen has 4 main tiles that display the following information:
- Dryer operating mode (see chap. 20.1)
- Current pressure in the dryer (min. working pressure to activate dryer regeneration is 3 bar)
- Current pressure dew point value (only for compressors equipped with dew point sensors)
- Remaining time to the next service interval (see chap.22.1, 22.2 – service intervals).

21.2. Dryer operation screen



The dryer operating hours indicator is located at the top of the screen. The dryer operation screen is also divided into 4 sections, which describe the dryer chamber working cycles using a graphical depiction of the operating states of each chamber.



Symbol for when the dryer chamber is currently in regeneration.



Symbol for when the dryer chamber is currently drying.



Symbol for chamber pre-filling – equalisation of pressure in chambers.

21.3. Language settings screen

LANGUAGE SETUP	
CZ	SK
GER	UK
RUS	HUN
FR	
◀	▶

The language settings screen is one of the main screens.

21.4. Service menu screen

SERVICE MENU	CODE: * * * *
SETUP	1 2
TEST	2 4
RESET	5 6
	7 8
	9 ←
◀ ▶	↩ ENTER

The service menu is intended exclusively for service personnel. Access to individual service menu items is protected by the password 1992.

22. INDICATION OF MAINTENANCE AND ALARM STATES

The adsorption dryer controller is capable of measuring selected parameters (pressure and pressure dew point in versions with a dew point sensor) and for assessing the basic dryer operating states.

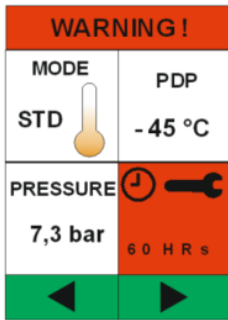
Based on the measured parameters and service details, the controller displays information on faults using the following notifications and warnings.

22.1. Notification - Upcoming service interval

NOTICE !	
MODE ECO	PDP -45 °C
PRESSURE 7,3 bar	60 HRS
◀ ▶	

- 100 operating hours prior to the next service interval a **yellow notification appears** (“Notice!”). **The service tile also lights up orange.**
- **The remaining hours to the next service interval are also displayed.**
- **The warning is shown until service is completed and the service interval is reset.**

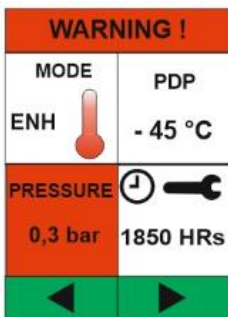
22.2. Warning - Service interval exceeded



- A red warning is shown (“Warning!”) once the service interval has lapsed. The service tile also lights up red.
- The warning is shown until service is completed and the service interval is reset.
- The hours to the next service interval are also displayed.
- A list of warnings is saved in the “Warning log”
- The dryer continues operating normally

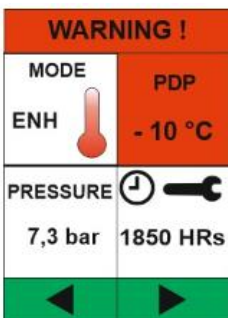
22.3. Alarm conditions

Low/high pressure



- A red warning is shown (“Warning!”) if low pressure (<3 bar) or high pressure (> 8.5 bar, or > 10.5 bar depending on the pressure version) is detected. At the same time, the current pressure tile lights up red.
- The warning is displayed as long as the alarm condition endures.
- A list of warnings is saved in the “Warning log”
- The dryer is not operating normally, regeneration is not initiated, the compressor must be shut down.

High dew point



- This warning is only accessible on dryers with dew point sensors
- A red warning is shown (“Warning!”) if a high dew point is detected (> -20°C, or > -40°C depending on the version of the dryer). At the same time, the current pressure dew point tile lights up red.
- The warning is displayed as long as the alarm condition endures.
- A list of warnings is saved in the “Warning log”
- The dryer does not operate properly or is used outside of recommended conditions for use, the compressor must be shut down.



A high dew point alarm may appear when the unit is first placed into service. The alarm will persist until the dryer regenerates. The regeneration time of the dryer depends on many parameters of use of the device. Dryer regeneration should take no more than 24 dryer working hours. If the dryer cannot meet the dew point set-point during the first 24 hours, please contact service personnel.

22.4. “Call Service” screen



- The “Call Service” screen alternates with the main screen if a notification or warning occurs.

PRODUCT MAINTENANCE

23. PRODUCT MAINTENANCE



The operator shall ensure completion of repeated testing of the device at least once every 24 months (EN 62353) or at intervals defined by applicable national legal regulations. A record of these test results shall be completed (e.g. per EN 62353, Annex G) together with the measurement methods.

The device has been designed and manufactured to keep its maintenance to a minimum. For correct and reliable operation of the compressor perform the following operations:



Risk of servicing by persons without required qualification.

Repair works beyond standard maintenance (see chapter 23.1) may only be performed by a qualified technician (organization authorized by the manufacturer) or manufacturer's customer service.

Standard maintenance works (see chapter 23.1) may only be carried out by a trained operator.

Only use spare parts and accessories approved by the manufacturer.



Risk of injury and damage to the device.

Before any maintenance work, it is necessary to:

- check, if it is possible to disconnect compressor from the supplied equipment, so that there is no risk of damage to a person using the given appliance or any other material damages
- switch off the compressor
- disconnect it from the mains (pull out the mains plug)
- vent the compressed air from the air tank



Risk of injury when venting the compressed air.

Protect eyesight – wear goggles when venting the compressed air from the compressor pneumatic system (air tank).



Risk of burn.

Pump components (head, cylinder, and pressure hose) have high temperature during and shortly after compressor operation – do not touch these components!

Let the device cool before any product maintenance, service or connection/disconnection of pressurized air!



The removed grounding conductor during service must be connected back to the original position after completing the service.

- For any maintenance or repair work, the compressor may be removed from the cabinet by pulling it from the cabinet (on rolling casters as much as the cord between the compressor and the cabinet allows). See also chap. 23). The required maintenance or repair work may then be performed.
- If the cord between the compressor and the cabinet becomes disconnected (by pulling the mains plug, chap. 13.2), the compressor shall not be functional. In order to bring the compressor into function again, please follow chap. 13.2 or 23.10 or 23.11.

23.1. Maintenance intervals

Time interval ^{b)}	50 Hz		60 Hz		Once a day	Once a week	Once a year	Once every 2 years	4000 hours	3200 hours	4800 hours	6000 hours	8000 hours	10000 hours	12000 hours	16000 hours	20000 hours	24000 hours	Chap.	Spare parts set	Performed by		
																					operator	qualified technician	
Check of product operation	x																		23.2	-		operator	
Check of product function						x													9	-		operator	
Check of pneumatic connections leakage and device inspection							x												23.3	-		qualified technician	
Check of electrical connection							x												23.4	-		qualified technician	
Check of fan and cooler							x												23.8	-		qualified technician	
Check of safety valve							x												23.6	-		qualified technician	
Replacement of pump inlet filter and pre-filter ^{a)}							x		x				x						23.7	025200139-000 025200150-000		qualified technician	

^{a)} data is in hours, if not available, data is in years

^{b)} time interval reduces by 20 % for compressor variants 60 Hz

(2000h./1600h., 4000h./3200h., 6000h./4800h., 8000h./6400h., 10000h./8000h., 12000h./9600h.)

^{c)} Whichever occurs first: 4 years/8,000 hours.

Time interval ^{b)}	50 Hz		60 Hz		Once a day	Once a week	Once a year	Once every 2 years	4000 hours	6000 hours	8000 hours	10000 hours	12000 hours	16000 hours	20000 hours	24000 hours	Chap.	Spare parts set	Performed by
	3200 hours	4800 hours	6400 hours	8000 hours															
Replacement of cassettes with adsorbent media ^{c)}																	See service manual	603022476-000	qualified technician
Replacement of the dryer's logic valve ball									x								See service manual	069000317-000	qualified technician
Replacement of the dryer's solenoid valve ^{d)}																	See service manual	025300117-000	qualified technician
Dew point sensor calibration																	23.9	-	qualified technician
Conduct a "repeated test" per EN 62353																	23	-	qualified technician

a) data is in hours, if not available, data is in years

b) time interval reduces by 20 % for compressor variants 60 Hz

(2000h./1600h., 4000h./3200h., 6000h./4800h., 8000h./6400h., 10000h./8000h., 12000h./9600h.)

c) Whichever occurs first: 4 years/8,000 hours

d) Whichever occurs first: 8 years/20,000 hours

23.2. Check of product operation

- Check pump condition – the pumps must operate evenly without excessive vibrations or noise. If there is any negative result, find the cause of the given condition or call service engineers.
- Check fans operation (visually) – the fans must be operating when the fans are running. If there is a negative result, look for the cause of the given condition or call service engineers.
- Check if the power cord and pneumatic hoses are not damaged. Replace the damaged parts or call service engineers.
- Check ambient temperature – ambient temperature must be below temperature limit (40°C). Improve cooling in the room if the temperature is higher.
- Open the plug on the condensate collecting bottle and drain the condensate.

23.3. Check of pneumatic connections leakage and device inspection

Leakage check

- Check pneumatic connections of the compressor when the compressor is operating – pressurizing.
- Use a leakage analyser or soapy water to check all connections for leaks. Tighten or release the connection where leaks are found.

Device inspection

- Check condition of the compressor pump – even operation, appropriate noise level.
- Check fans operation – fans must be running in the defined cycles of the compressor operation.
- Check function of the temperature switch (B2) – heat the temperature switch to temperature above 40°C (e.g. using a heat gun – Be careful, do not operate with high temperature on plastic components in the surrounding, it can cause deformation of plastic materials). Fan E1 starts up once the temperature reaches 40°C – the compressor must be under voltage.
- Check filters condition – filters must be undamaged and sufficiently clean.
- Check condition of the pump itself, check if there is no dirt inside the crankcase or clearance in the crankshaft.
- Replace any defective parts if there are any failures.

23.4. Check of electrical connections



Risk of electric shock.

Check electrical connections on the device disconnected from the mains.

- Check mechanical function of the main switch.
- Check if the power cable and conductors are not damaged.
- Visually check if cables are connected to the terminal box.
- Check all screw connections of the green-yellow PE grounding conductor.
- Inspection of electrical connections on the AD dryer – see the service manual.

23.5. Condensate drain



A wet floor resulting from overflow from the vessel poses a slip hazard.

Regularly empty the condensate collection tank.



Injury hazard.

Do not connect the condensate drain directly to a waste drain!

Passers-by may be injured.



Switch off the compressor every time before emptying the tank!



Injury hazard.

Carefully and slowly open the drain valve. Quickly opening the drain valve is accompanied by a loud sound and an uncontrollable ejection of the accumulated condensate.

Condensate is automatically drained into the condensate collection vessel.

- Monitor the level in the vessel using the 1 l or 2 l markings (depending on the volume of the vessel), and empty at least once a day



Fig. 18: Check of condensate collection vessel

If necessary, it is possible to drain the air tank using the drain valve (1) from the lower side of the air tank (Fig. 19).

Switch off the compressor at the mains and reduce the air pressure in the device to a maximum of 1 bar, e.g. by venting air through the connected equipment.

Use a hose to drain with the free end placed in a suitable container and then open the valve to drain condensate from the tank.

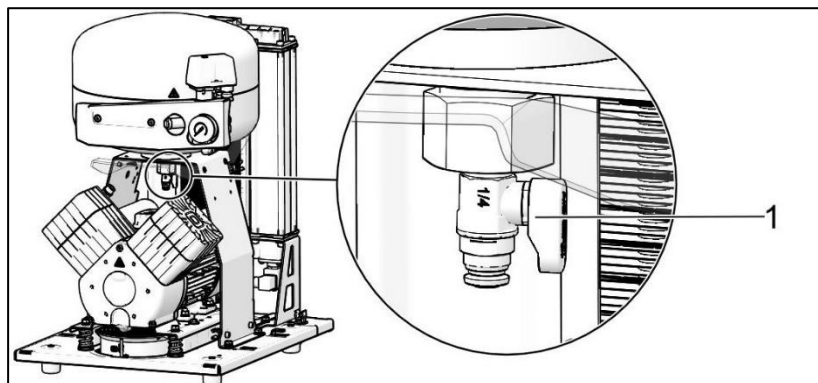


Fig. 19: Condensate drain



Before the following checks it is required:

- **Compressor with cabinet** – release the door lock and open the cabinet door.

23.6. Check of safety valve

- Turn the screw (2) on the safety valve (1) several times to the left until the safety valve releases the air.
- Let the safety valve vent for a few seconds.
- Turn the screw (2) fully to the right, the valve must be closed now.

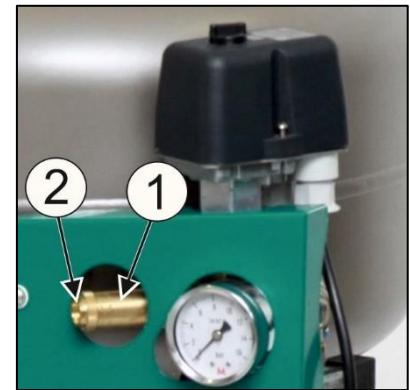


Fig. 20: Check of safety valve



Risk of pressure increase when safety valve is damaged.

Safety valve must not be used to depressurize the air tank. It could damage the safety valve function. The valve is set to the maximum allowed pressure, it is tested and marked.

Safety valve setting must not be adjusted.



Risk of injury when compressed air is vented.

Protect your eyesight when checking the safety valve – wear protective goggles.

23.7. Inlet filter and pre-filter replacement

The inlet filter (1) is located inside the compressor crankcase cover.

Inlet filter replacement:

- Pull out the rubber plug (2) by hand.
- Remove the dirty inlet filter (1).
- Insert a new filter and mount the rubber plug.

Pre-filter replacement:

- Pull out the pre-filter by hand (3).
- Replace the element and re-insert.

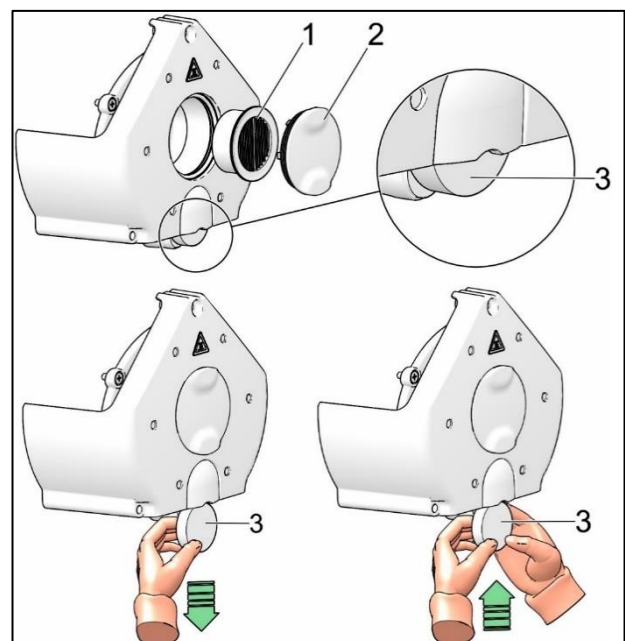


Fig. 21: Inlet filter and pre-filter replacement

23.8. Check of fan and cooler

The entire device and especially the compressor fan, cooler fan and cooler must be kept clean (Fig. 1) – vacuum or blown down the cooling fins and fans with compressed air to remove any dust from the surface.

23.9. Dew point sensor calibration

It is recommended to calibrate the dew point sensor every 2 years on compressors equipped with this sensor. Calibration is performed by the manufacturer (Vaisala) and must be ordered online.

Sensor calibration ordering process:

- Visit the website www.vaisala.com, and then navigate to the *Services* section and select *Calibration and repair services*.
- Then enter the type of sensor (sensor type: **DMT143**) and select a calibration type, then follow the provided instructions.

23.10. Procedure for connecting a compressor disconnected from the cabinet



Prior to any maintenance or repair work, switch off the compressor and disconnect it from the mains (pull out the mains plug).

The compressor (without cabinet) requires that the jumper is always mounted in the terminal strip for correct operation (Fig. 22, Pos. B). It then replaces the switch on the cabinet.



If there is no jumper in the terminal strip, the compressor will not work!

If the cord between the compressor and the cabinet becomes disconnected (by pulling the mains plug) and the compressor is removed from the cabinet, the compressor will not be functional. Therefore, it is necessary to first create a connection to the terminal strip with a jumper (replacing the circuit breaker function) (Fig. 22).

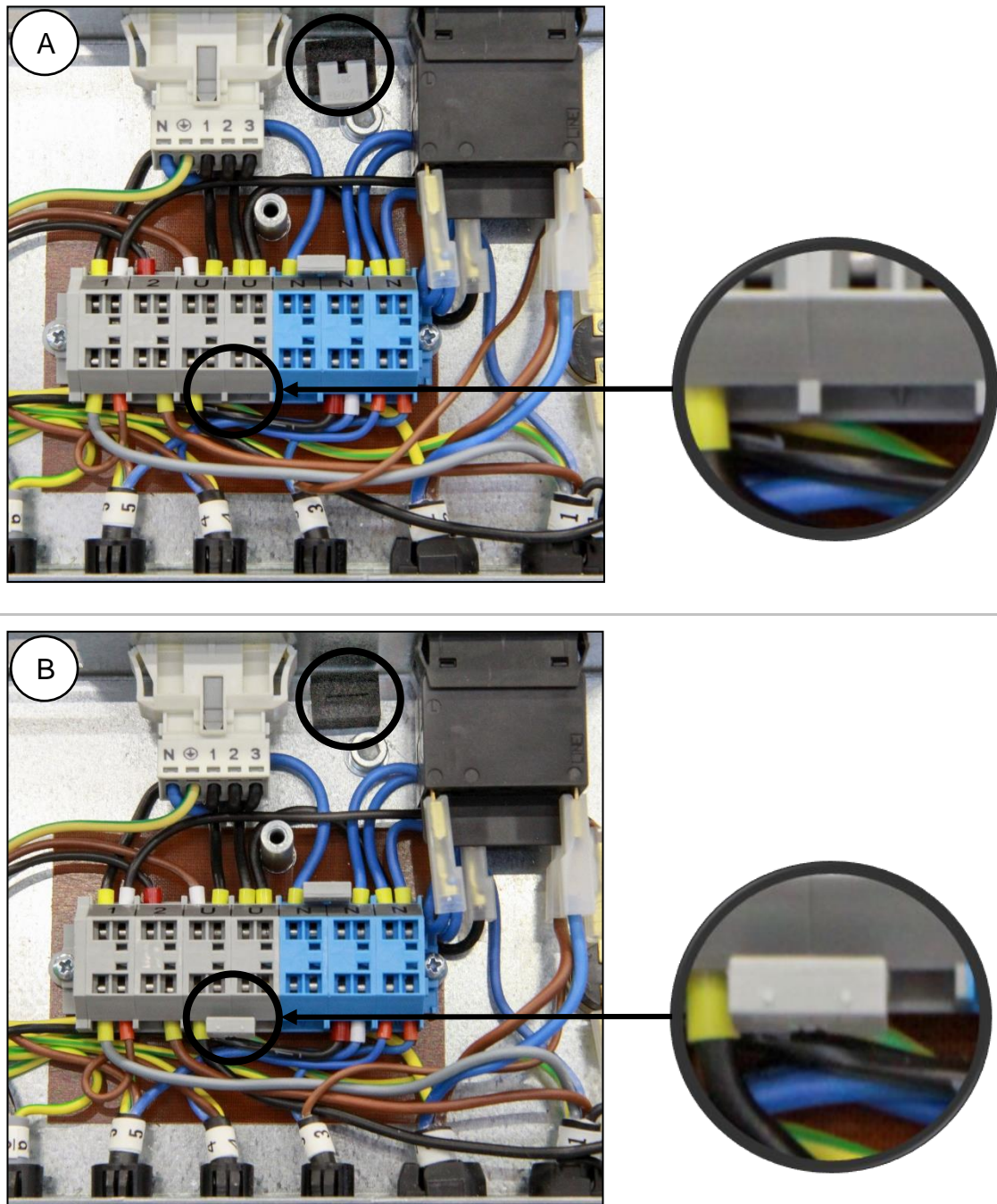
PROCESS:

Jumper installation (A-B process):

- Disconnect the product from the mains by pulling the plug out of the socket.
- Remove the cover on the electrical panel (on the compressor).
- The jumper is not in the terminal strip – A.
- Insert the jumper into the terminal strip – B.
- Reinstall the cover on the electrical panel.
- Connect the device to the electrical mains.
- Activate the compressor by turning on the switch on the pressure switch.

Compressor - when operating outside the cabinet, the electrical connection with an installed jumper **must** be created (Fig. 22, Pos. B).

Fig. 22



23.11. Procedure for connecting a compressor to a new cabinet



Prior to any maintenance or repair work, switch off the compressor and disconnect it from the mains (pull out the mains plug).

The compressor in a cabinet requires that the jumper is not mounted in the terminal strip for correct operation (Fig. 22, Pos. A). The switch on the cabinet switches the entire product on and off, including the compressor.



If there is a jumper in the terminal strip, the switch on the compressor cabinet will not work!

To connect a new cabinet to a compressor that previously worked without a cabinet, it is necessary

to cancel the connection in the compressor terminal strip by performing the procedure as follows. (Fig. 22). See also chap. 13.1 and 13.2.

PROCESS:

Jumper removal (B-A process):

- Disconnect the product from the mains by pulling the plug out of the socket.
- Remove the cover on the electrical panel (on the compressor).
- The jumper is in the terminal strip – B
- Remove the jumper from the terminal strip – A
- Reinstall the cover on the electrical panel.
- Insert the compressor into the cabinet.
- Connect the cabinet to the compressor by inserting the power cord with connector (1) into a power socket (2). (Fig. 11)
- Disconnect the display on the AD dryer and connect the display at the front door to the cabinet (see the service manual).
- Connect the device to the electrical mains
- Activate the compressor by turning on the switch on (2) the pressure switch (1) and the switch (5) on the cabinet (Fig. 17)

Compressor with cabinet - when operating in the cabinet, there **must not** be an electrical connection. (Fig. 22, Pos. A)

Note: **In case of using a compressor without a cabinet or in case of maintenance, a jumper which is not installed into the terminal strip should be kept** in a designated place next to the electrical panel.

23.12. Cleaning of the exterior surfaces of the product

Use neutral agents for cleaning of the external surfaces of the product.



The use of aggressive cleaning agents and comprising alcohol and chlorides may lead to the damage of the surface and the discoloration of the product.

24. LONG-TERM SHUTDOWN

If the compressor is not going to be used for long period, it is recommended to drain all condensate from the air tank and switch on the compressor for about 10 minutes, keeping the drain valve open. Thereafter switch off the compressor using the switch (2) on the pressure switch (1) (Fig. 17), close the drain valve and disconnect the device from the mains.

25. DISPOSAL OF DEVICE

- Disconnect the device from the mains.
- Release air pressure in the pressure tank by opening the drain valve.
- Dispose of the device according to the applicable local rules.
- Order a specialized organization to sort and dispose of waste.
- Product components after its operational lifetime have no negative environmental effect.

TROUBLESHOOTING**Risk of electric shock.****Before any of the following operations on the device, disconnect the device from the mains (pull out the mains plug).****Risk of injury during work with pneumatic components under pressure.****Before any of the following operations on the device, it is necessary to decrease pressure in the air tank and in the pneumatic system to zero.****Any operations concerning the troubleshooting may be performed only by a qualified technician.**

Malfunction	Possible cause	Solution
Compressor does not switch on	No voltage in the pressure switch	Check voltage in socket
		Check circuit breaker switch – switch to position switched-on „I“
		Loose conductor from terminal - repair
		Check electrical cord – replace defective cord
	Motor winding failure, damaged thermal protection	Replace motor or windings
	Capacitor failure	Replace capacitor
	Seized piston or other rotating part	Replace damaged components
	Pressure switch does not switch	Check function of pressure switch
The cabinet switch does not switch off the compressor	There is a compressor in the cabinet that previously worked separately (there is a jumper in the compressor terminal strip)	Remove the jumper from the terminal strip, see chap. 23.11
Compressor often switches on	Air leakage in pneumatic system	Check pneumatic system – seal loose connections
	Non-return valve (SV) leakage	Clean non-return valve, replace seals, replace non-return valve
	Large volume of condensed liquid in pressure tank	Drain condensed liquid
	Low compressor capacity	Check time of filling the air tank
Low pressure in the air tank (compressor running constantly)	High air consumption of supplied equipment	Decrease air consumption Use compressor with higher capacity
	Leakage in pneumatic system	Check pneumatic system – seal loose connections
	Low capacity of the pump	Clean / replace the pump
	Pump failure	Clean / replace the pump
	Dryer failure	Replace dryer
Prolonged operation of the compressor	Air leakage in pneumatic system	Check pneumatic system – seal loose connection
	Worn piston ring	Replace worn piston ring
	Dirty inlet filter	Replace dirty filter with new filter

	Incorrect function of solenoid valve	Repair or replace fan or coil
Compressor is noisy (knocking, metal noises)	Damaged piston bearing, piston rods, motor bearing	Replace damaged bearing
	Loose (cracked) dampening element (spring)	Replace damaged spring
Dryer does not dry (condensed water in the air) *	Defective cooler fan	Replace fan
	Damaged dryer	Check power source Replace dryer
	Defective automatic condensate drain	Clean / replace
Degraded drying performance – high-pressure dew point (condensed water in the air)	Low operating pressure	Reduce the demand for air, check the output from the compressed air source, fix any leaks in the distribution system
	Regeneration solenoid valve not working	Check coil operation, replace if damaged Inspect the condition of the valve – clean the valve or replace if problems persist
	Air regeneration nozzle plugged	Clean or replace the nozzle (see product maintenance)
	Cooling fan not working	Check the power source to the fan Replace damaged fan
	Dirty cooler	Inspect the cooler and clean as necessary
	Silencer plugged at outlet from regeneration valve	Inspect the silencers. Clean or replace the silencer if flow resistance is too high or if heavily soiled.
Dryer emitting high levels of noise	Damaged fan	Replace damaged fan
	Damaged silencer	Replace the silencer
	Air leaking through relief valve at dryer inlet	Check the dryer connection to the mains and dryer connections, check the dryer operation, check the dryer's working pressure, and replace defective components.
Air leaking through relief valve at dryer inlet	High working pressure from air source	Check the pressure setting on the compressed air source
	Dryer inlet solenoid valve not working	Check the coil operation, replace if damaged Inspect the condition of the valve – clean the valve or replace if problems persist
	High pressure in equipment resulting from plugged filters	Check the internal filters and accessory filter assemblies. Clean or replace dirty filters.

)* Clean inside surfaces of the air tank thoroughly and remove all condensed liquid after dryer failure.

Once a dryer fault is cleared and after its reassembly, the dryer should quickly be regenerated, best when using continuous compressor operation at a pressure of around 1 bar for a period of at least 1 hour; then check the dryness of the compressed air.



To protect the connected equipment from any damage, it is necessary to check humidity of the released air from the air tank (see chapter Technical data)

26. REPAIR SERVICE

Guarantee and post-guarantee repairs are provided by the manufacturer or organizations and technicians approved by the manufacturer.

Warning

The manufacturer reserves the right to make changes on the device, which will not significantly affect properties of the device.

INHALT

WICHTIGE INFORMATIONEN	63
1. ÜBEREINSTIMMUNG MIT DEN ANFORDERUNGEN DER EU-RICHTLINIEN	63
2. BESTIMMUNGSGEMÄÑE VERWENDUNG	63
3. GEGENANZEIGEN UND NEBENWIRKUNGEN	63
4. SYMBOLE	63
5. WARNHINWEISE	64
6. LAGERUNGS- UND TRANSPORTBEDINGUNGEN	66
PRODUKTBESCHREIBUNG	67
7. VERSIONEN	67
8. ZUBEHÖR	67
9. PRODUKTFUNKTION	68
TECHNISCHE DATEN	73
INSTALLATION	82
10. INSTALLATIONSBEDINGUNGEN	82
11. ZUSAMMENBAU DES KOMPRESSORS	82
12. PNEUMATISCHER ANSCHLUSS	84
13. ELEKTRISCHER ANSCHLUSS	87
14. PLATZIERUNG DES KOMPRESSORS IM SCHRANK	88
15. INBETRIEBNAHME	90
16. DRUCKLUFT- UND ELEKTROSCHALTPLÄNE	91
BETRIEB	97
17. EINSCHALTEN DES KOMPRESSORS	98
18. AUSSCHALTEN DES KOMPRESSORS	98
AD-TROCKNER	99
19. FUNKTIONSWEISE	99
20. BENUTZEROBERFLÄCHE/-EINSTELLUNGEN	100
21. HAUPTBILDSCHIRME	102
22. ANZEIGE DER WARTUNGS- UND ALARMZUSTÄNDE	104
PRODUKTWARTUNG	107
23. PRODUKTWARTUNG	107
24. LANGFRISTIGE AUÑERBETRIEBNAHME	116
25. ENTSORGUNG DES GERÄTS	116
FEHLERBEHEBUNG	117
26. INFORMATIONEN ZU REPARATURBETRIEBEN	119
ANHANG	408
27. INSTALLATIONSPROTOKOLL	409

WICHTIGE INFORMATIONEN

1. ÜBEREINSTIMMUNG MIT DEN ANFORDERUNGEN DER EU-RICHTLINIEN

Dieses Produkt erfüllt die Anforderungen der Verordnung (EU) über Medizinprodukte (MDR 2017/745) und ist bei bestimmungsgemäßer Verwendung sicher, sofern alle Sicherheitshinweise beachtet werden.

2. BESTIMMUNGSGEMÄßE VERWENDUNG

Der Kompressor wird als Quelle für saubere, ölfreie Druckluft verwendet, um aktive medizinische Geräte zu versorgen, bei denen die Parameter und Eigenschaften der Druckluft für die spezifische Anwendung geeignet sind.



Die Luft aus dem Kompressor ist nicht für den Anschluss an Geräte zur künstlichen Lungenbeatmung geeignet.

Jegliche Nutzung des Produkts über die bestimmungsgemäße Verwendung hinaus gilt als unsachgemäße Nutzung. Der Hersteller haftet nicht für Schäden oder Verletzungen aufgrund einer unsachgemäßen Nutzung.

3. GEGENANZEIGEN UND NEBENWIRKUNGEN

Es sind keine Gegenanzeigen oder Nebenwirkungen bekannt.

4. SYMBOLE

Die folgenden Symbole und Markierungen werden in dem Benutzerhandbuch, auf dem Gerät und auf seiner Verpackung verwendet:



Allgemeiner Warnhinweis



Achtung – Stromschlaggefahr!



Achtung – Kompressor wird automatisch gesteuert!



Achtung – heiße Oberfläche!



Allgemeine Warnungen



Lesen Sie die Bedienungsanweisungen



Beachten Sie das Bedienungshandbuch






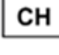


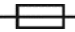







CE-Kennzeichnung



Medizinprodukt



Seriennummer

	Artikelnummer
	Einmalige Produktkennung
	Schweizer Bevollmächtigter
 	Schweizer Importeur
	Schutzerdung
	Sicherung
	Etikett für die Handhabung der Verpackung – zerbrechlich
	Etikett für die Handhabung der Verpackung – diese Seite nach oben
	Etikett für die Handhabung der Verpackung – trocken lagern
	Etikett für die Handhabung der Verpackung – Temperaturgrenzwerte
	Etikett für die Handhabung der Verpackung – Stapelbeschränkung
	Verpackungsetikett – recycelbares Material
	Hersteller

5. WARNHINWEISE

Das Produkt wurde so entwickelt und hergestellt, dass der Benutzer und die Umgebung sicher sind, wenn das Produkt ordnungsgemäß verwendet wird. Beachten Sie die folgenden Warnhinweise.

5.1. Allgemeine Warnhinweise

LESEN SIE VOR DER VERWENDUNG DES GERÄTS DAS BENUTZERHANDBUCH SORGFÄLTIG DURCH UND BEWAHREN SIE ES FÜR DIE KÜNFTIGE NUTZUNG AUF!

- Das Benutzerhandbuch enthält Anleitungen zur korrekten Installation, Bedienung und Wartung des Produkts. Eine sorgfältige Durchsicht dieses Handbuchs liefert Ihnen die notwendigen Informationen für den korrekten Betrieb des Produkts.
- Die Originalverpackung sollte für die Rücksendung des Geräts aufbewahrt werden. Nur die Originalverpackung garantiert einen optimalen Transportschutz des Geräts. Falls eine Einsendung des Produkts während der Garantiezeit notwendig werden sollte, haftet der Hersteller nicht für Schäden, die auf eine mangelhafte Verpackung zurückzuführen sind.
- Schäden, die durch die Nutzung von anderem als dem vom Hersteller vorgeschriebenen Zubehör entstehen, sind von dieser Gerätegarantie ausgeschlossen.
- Der Hersteller garantiert die Sicherheit, Zuverlässigkeit und Funktion des Geräts nur, wenn:
 - Montage, Neueinstellungen, Änderungen, Erweiterungen und Reparaturen durch den

- Hersteller oder einen vom Hersteller autorisierten Dienstleister erfolgen
- das Produkt gemäß den Vorgaben des Benutzerhandbuchs verwendet wird
 - Das Benutzerhandbuch entspricht zum Zeitpunkt seines Drucks den Produktmodellen und deren Erfüllung der geltenden Sicherheits- und Technikstandards. Der Hersteller behält alle Rechte an seinen Konfigurationen, Verfahren und Namen.
 - Die Übersetzung des Benutzerhandbuchs erfolgte nach bestem Wissen. Bei Unsicherheiten gilt die slowakische Version.
 - Dieses Benutzerhandbuch ist die deutsche Übersetzung der Originalbetriebsanleitung. Die Übersetzung erfolgte nach bestem Wissen.

5.2. Allgemeine Sicherheitswarnungen

Der Hersteller hat das Produkt so entwickelt und hergestellt, dass bei korrekter Nutzung entsprechend der bestimmungsgemäßen Verwendung die Risiken minimal sind. Der Hersteller legt die folgenden Sicherheitsvorschriften für den Gebrauch des Geräts fest.

- Die Verwendung und Bedienung des Produkts muss den am Standort geltenden Vorschriften und Gesetzen entsprechen. Der Bediener und Nutzer des Produkts muss alle gültigen Vorschriften einhalten, um eine sichere Arbeit zu gewährleisten.
- Nur die Nutzung von Originalteilen gewährleistet die Sicherheit des Bedienpersonals sowie ein reibungsloses Funktionieren des Produkts. Es dürfen nur Zubehör- und Ersatzteile verwendet werden, die in der technischen Dokumentation aufgeführt oder ausdrücklich vom Hersteller zugelassen sind.
- Der Bediener muss vor jeder Nutzung das korrekte und sichere Funktionieren des Geräts überprüfen.
- Der Nutzer muss sich mit der Bedienung des Geräts vertraut gemacht haben.
- Das Produkt darf nicht in explosionsgefährdeten Bereichen eingesetzt werden.
- Der Benutzer muss den Lieferanten sofort bei Problemen informieren, die in Verbindung mit dem Betrieb des Geräts auftreten.
- Alle schwerwiegenden Zwischenfälle, die im Zusammenhang mit dem Produkt aufgetreten sind, müssen dem Hersteller und der zuständigen Behörde jenes Mitgliedstaates gemeldet werden, in dem der Anwender und/oder der Patient niedergelassen ist.

5.3. Sicherheitswarnhinweise zum Schutz vor elektrischem Strom

- Das Gerät darf nur an einen ordnungsgemäß installierten Stromkreis angeschlossen werden.
- Vor dem Anschluss des Produkts muss sichergestellt werden, dass die auf dem Gerät angegebene Netzspannung und Netzfrequenz mit den Werten des Versorgungsnetzes übereinstimmen.
- Überprüfen Sie das Gerät vor der Inbetriebnahme auf Schäden an den Druckluftleitungen und Stromkabeln. Beschädigte Druckluftleitungen und Stromkabel sind sofort zu ersetzen.
- Trennen Sie das Produkt sofort vom Stromnetz (dazu Netzkabel aus der Steckdose ziehen), wenn eine Gefahrensituation oder ein technischer Fehler auftritt.
- Stellen Sie bei allen Reparatur- und Wartungsarbeiten sicher, dass:
 - Der Netzstecker aus der Steckdose gezogen wurde
 - Der Druck aus allen Druckluftbehältern und -leitungen abgelassen wurde
- Das Gerät muss von einem qualifizierten Fachmann installiert werden.

6. LAGERUNGS- UND TRANSPORTBEDINGUNGEN

Der Kompressor wird ab Hersteller in einer Transportverpackung versendet. Diese schützt das Produkt während des Transports vor Schäden.



Beschädigungsgefahr für Pneumatikkomponenten!

Der Kompressor darf nur transportiert werden, wenn die gesamte Luft abgelassen wurde. Vor dem Bewegen oder Transportieren des Kompressors entlassen Sie jegliche Druckluft aus dem Behälter und den Druckschläuchen und lassen Sie das Kondensat aus dem Behälter und dem Kondensatabscheider am Trockner ab.



Bewahren Sie die Originalverpackung für den Fall auf, dass das Gerät zurückgesendet werden muss. Verwenden Sie die Originalverpackung für den Transport, da sie optimalen Schutz für das Produkt bietet. . Sollte es nötig sein, das Produkt während der Garantiezeit einzusenden, haftet der Hersteller nicht für Schäden, die auf eine mangelhafte Verpackung zurückzuführen sind.



Der Kompressor muss in vertikaler Position geliefert und mit Transportgurten befestigt werden.



Schützen Sie den Kompressor während des Transports und der Lagerung vor Feuchtigkeit, Schmutz und extremen Temperaturen. Nicht in der Nähe von flüchtigen chemischen Substanzen lagern.



Sollte dies nicht möglich sein, entsorgen Sie die Originalverpackung auf umweltfreundliche Art. Der Verpackungskarton kann als Altpapier recycelt werden.



Die Lagerung und der Versand des Geräts in einem anderen als dem vorgeschriebenen Zustand sind strikt untersagt.

6.1. Umgebungsbedingungen

Die Produkte dürfen nur unter den folgenden klimatischen Bedingungen in Fahrzeugen gelagert und transportiert werden, die keine Spuren flüchtiger Chemikalien aufweisen:

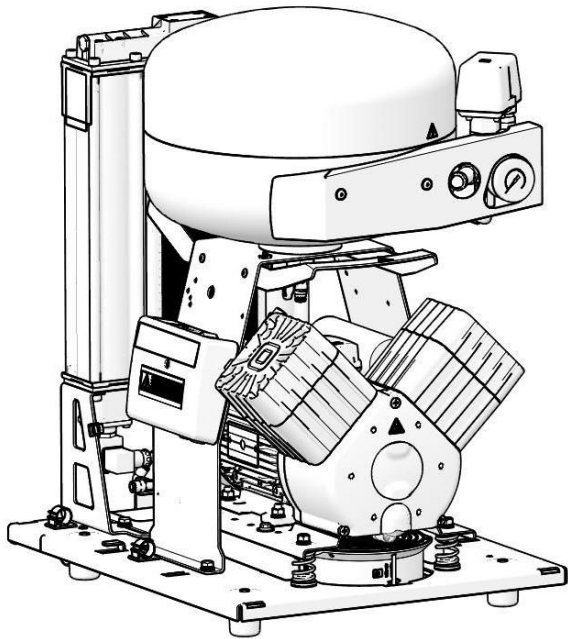
Temperatur	-25 °C bis +55 °C
Relative Feuchtigkeit	max. 90 % (nicht kondensierend)

PRODUKTBESCHREIBUNG

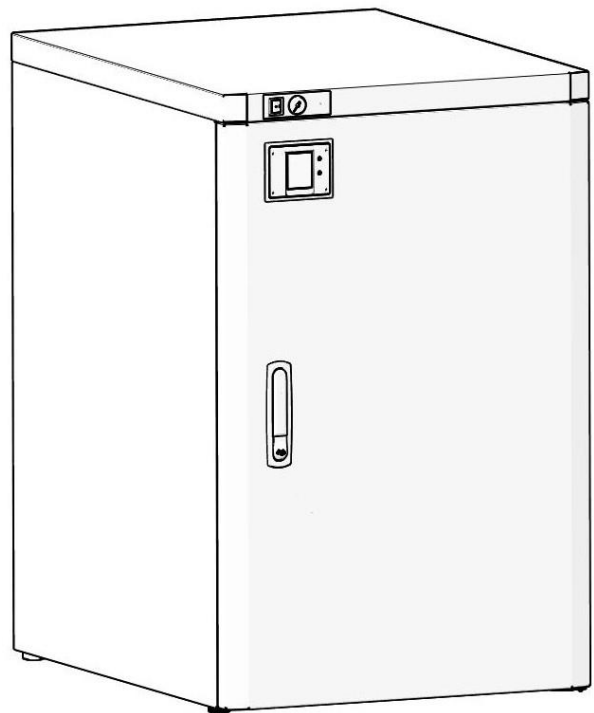
7. VERSIONEN

Der Kompressor ist gemäß seinem Verwendungszweck in den folgenden Modellen erhältlich:

DK50 2V/M	Kompressor für die Bodenmontage mit Adsorptionstrockner
DK50 2V S/M	Kompressor im Gehäuse mit Adsorptionstrockner



DK50 2V/M



DK50 2V S/M

8. ZUBEHÖR

Zubehör, das nicht Teil des Lieferumfangs ist, muss separat bestellt werden.

Satz mit Druckluft-Ausgangsfiltern

Der Kompressor kann, sofern angegeben, mit einem Filtersatz ausgestattet werden. Der Filtersatz kann mit einem Druckluftregler ausgestattet werden.



Ist ein anderer Grad an Luftfilterung nötig, muss dies mit dem Lieferanten vereinbart und in der Bestellung klar angegeben werden.

Typ	Verwendung	Grad der Luftfilterung (µm)	Artikelnummer
FS 30F	DK50 2V/M	1	So bestellen Sie
FS 30M		1+0,1	
FS 30S		1+0,01	
FS 30A		1+0,01+A**	

**) A – Submikrofilter mit Aktivkohle

Filtersatz Reglerbaugruppe

Der Kompressor kann gegebenenfalls mit einem Druckregler des Druckluftauslasses ausgestattet sein. Der Regler muss entsprechend der Anwendung auf den Filtersatz oder separat ausgewählt werden. Der Regler muss einen konstanten Druck am Auslass gewährleisten.

Typ	Verwendung	Artikelnummer
Druckregler (für Filtersatz) REG11 (Separater)	DK50 2V/M	So bestellen Sie 447000001-077

Filtersatz Halterungen



Für jeden Filtersatz muss eine passende Halterung bestellt werden.

Typ	Verwendung	Artikelnummer
Halterung für Kompressormontage	DK50 2V/M	So bestellen Sie

Potenzialausgleichsbuchse

Die Buchse ermöglicht einen Potenzialausgleich.

Typ	Verwendung	Name	Artiklenummer
POAG-KBT6-EC	DK50 2VS/M	Netzstecker	033400075-000
FLEXI-S/POAG-HK6		Zuleitung (1 m)	034110083-000

9. PRODUKTFUNKTION

9.1. Kompressor mit Adsorptionstrockner

(Abb. 1) Das Kompressoraggregat (1) saugt Luft durch den Einlassfilter (8) an und führt Druckluft über den Anschluss Schlauch in den Adsorptionstrockner (38). Die Luft wird vom Einlass zum Trocknermodul zunächst im integrierten Kühler (26) abgekühlt und strömt dann durch den Kondensatabscheider (32) in die Aktivkammer mit Adsorptionsmittel (27), wo die Luft getrocknet wird. Ein Teil der Luft wird in die zweite Kammer, die Regenerationskammer, geleitet, wo die Luft eingesetzt wird, um Feuchtigkeit aus dem Adsorptionsmittel zu ziehen. Anschließend wird sie in die Umgebung entlüftet. Die Aktivkammer schaltet zyklisch. Die trockene Luft gelangt dann durch das Rückschlagventil (3) in den Luftbehälter (2). Die Effizienz der Lufttrocknung (der Drucktaupunkt) wird durch den Taupunktsensor im Luftbehälter bestimmt.

Der Druckbehälter muss nicht abgelassen werden.

9.2. Kompressorgehäuse

(Abb. 3) Das schalldichte Gehäuse dient zur kompakten Abdeckung des Kompressors. Gleichzeitig gewährt es einen ausreichenden Luftaustausch und dämpft Geräusche wirkungsvoll. Aufgrund seines Designs eignet es sich für den Einsatz in Räumen, in denen ein möglichst geringer Schallpegel nötig ist. Der Lüfter unter der Kompressorpumpe kühlt den Kompressor und ist gleichzeitig mit dem Kompressormotor oder nach Einschalten des Temperaturschalters bei Temperaturen über 40° C in Betrieb. Nach dem Abkühlen des Schrankbereichs auf ca. 32° C schalten sich die Lüfter automatisch ab.

Der Trocknerdisplay (34) befindet sich an der Vorderseite des Schrankes.



Überhitzungsgefahr des Kompressors!

Stellen Sie sicher, dass der Einlass für die Kühlluft in das Gehäuse (im Bodenbereich des Gehäuses) und der Auslass für die Warmluft an der Rückseite des Gehäuses im oberen Bereich nicht blockiert sind.

Wird der Kompressor auf eine weiche Unterlage gestellt (z. B. auf einen Teppich), sorgen Sie für einen Abstand zwischen der Basis und dem Boden oder dem Gehäuse und dem Boden, indem die Füße z. B. auf feste Blöcke gestellt werden. Damit wird eine ausreichende Kühlung des Kompressors gewährleistet.

Beschreibung für Abbildungen 1 - 3

1	Luftpumpe	22	Griff
2	Druckluftbehälter	23	Laufrollen
3	Rückschlagventil	24	Manometer-Schlauch
4	Druckschalter	25	Ablassmodul
5	Sicherheitsventil	26	Kühlmodul
6	Manometer	27	Trocknungskammer
7	Ablassventil	28	Einlassventilmodul
8	Ansaugfilter	29	Drucklufteingang
9	Kompressorlüfter	30	Regenerationsmagnetventil
10	Kondensatauffangbehälter	31	Trocknerlüfter
11	Magnetische Halterung	32	Kondensatabscheider
12	Elektroschalttafel	33	Kondensatablassmagnetventil
13	Gehäuselüfter	34	*Display
14	Türbolzen	35	Drucklufteingang
15	Gleichrichterschraube	36	**Buchse
16	Sperre	37	Austritt von Kondensatabscheider und Regenerationsventilen
17	Halterung	38	Adsorptionstrockner
18	Wandanschlag	39	Stecker mit Kabel
19	Schalter	40	Trennschalter
20	Gehäuse-Druckmesser	41	***Taupunktsensor
21	Türangel		

* Position 34 gilt für das Modell DK50 2V/M ohne Schrank; Position 34 beim DK50 2VS/M mit Schrank ist eine einfache Abdeckung.

** Bei der Schrankausführung wird das mit dem Display (36) in der Vorderseite des Schranks verbundene Kabel durch die Universalbuchse geführt.

*** Gilt für Modelle mit Taupunktsensor.

Abb. 1: DK50 2V/M – Kompressor mit Adsorptionsstrockner

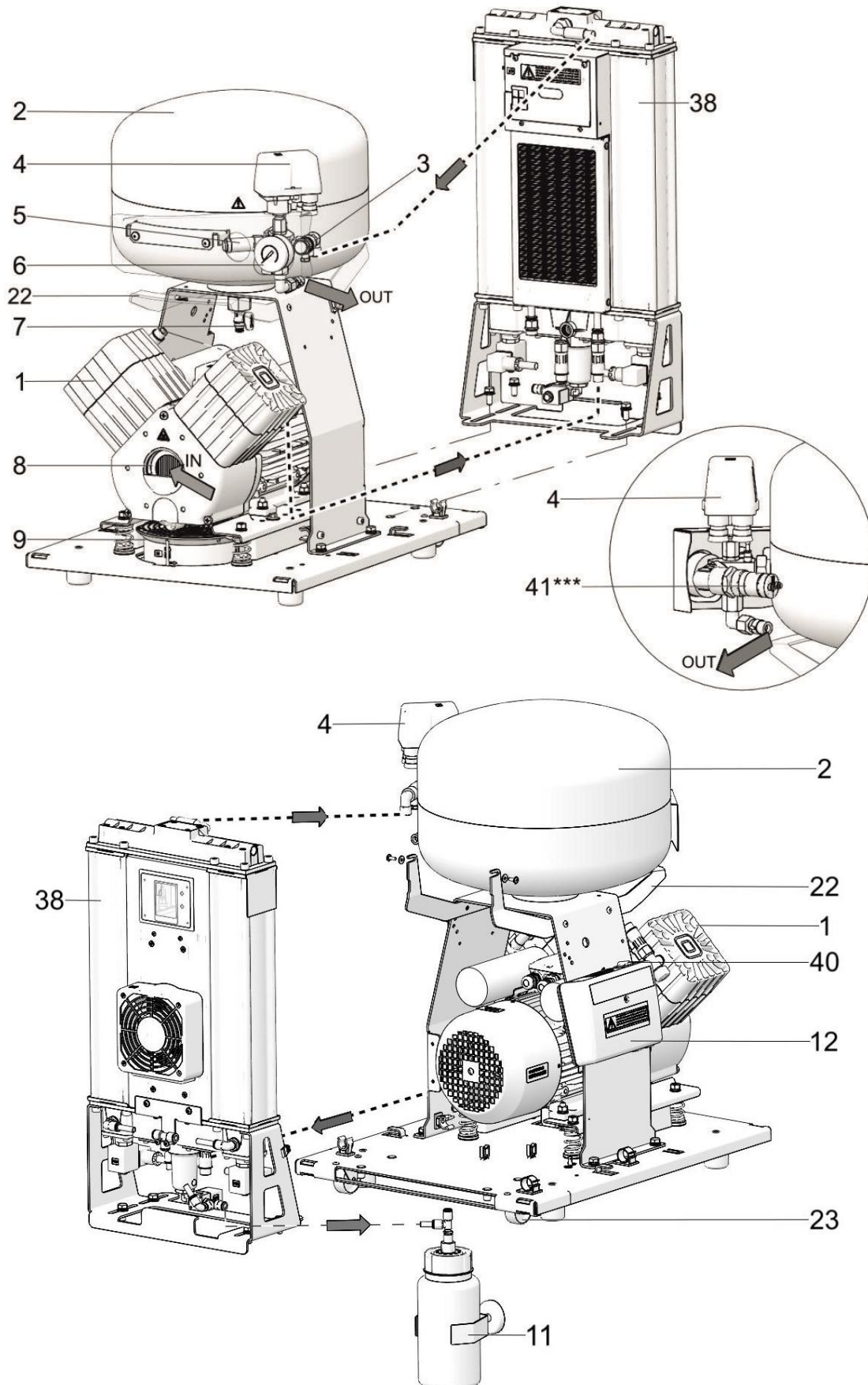
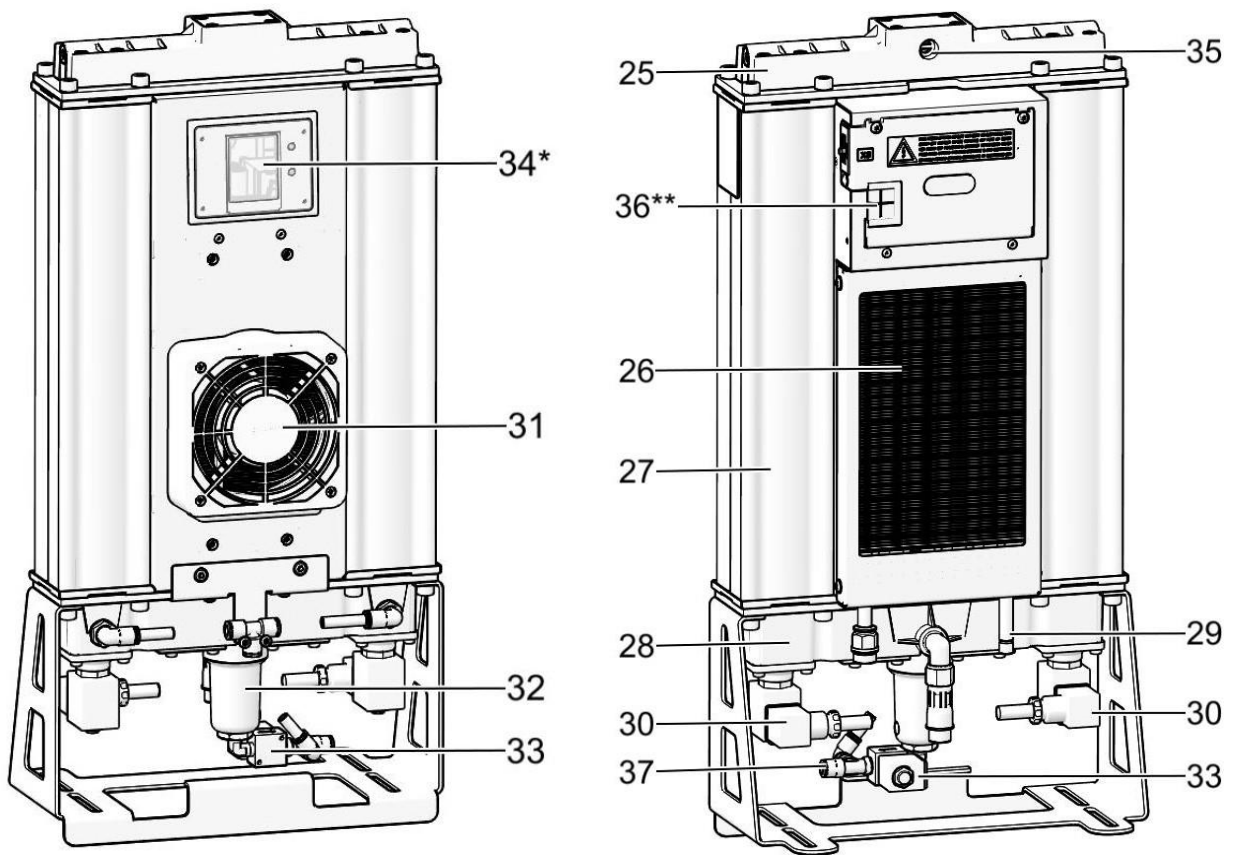


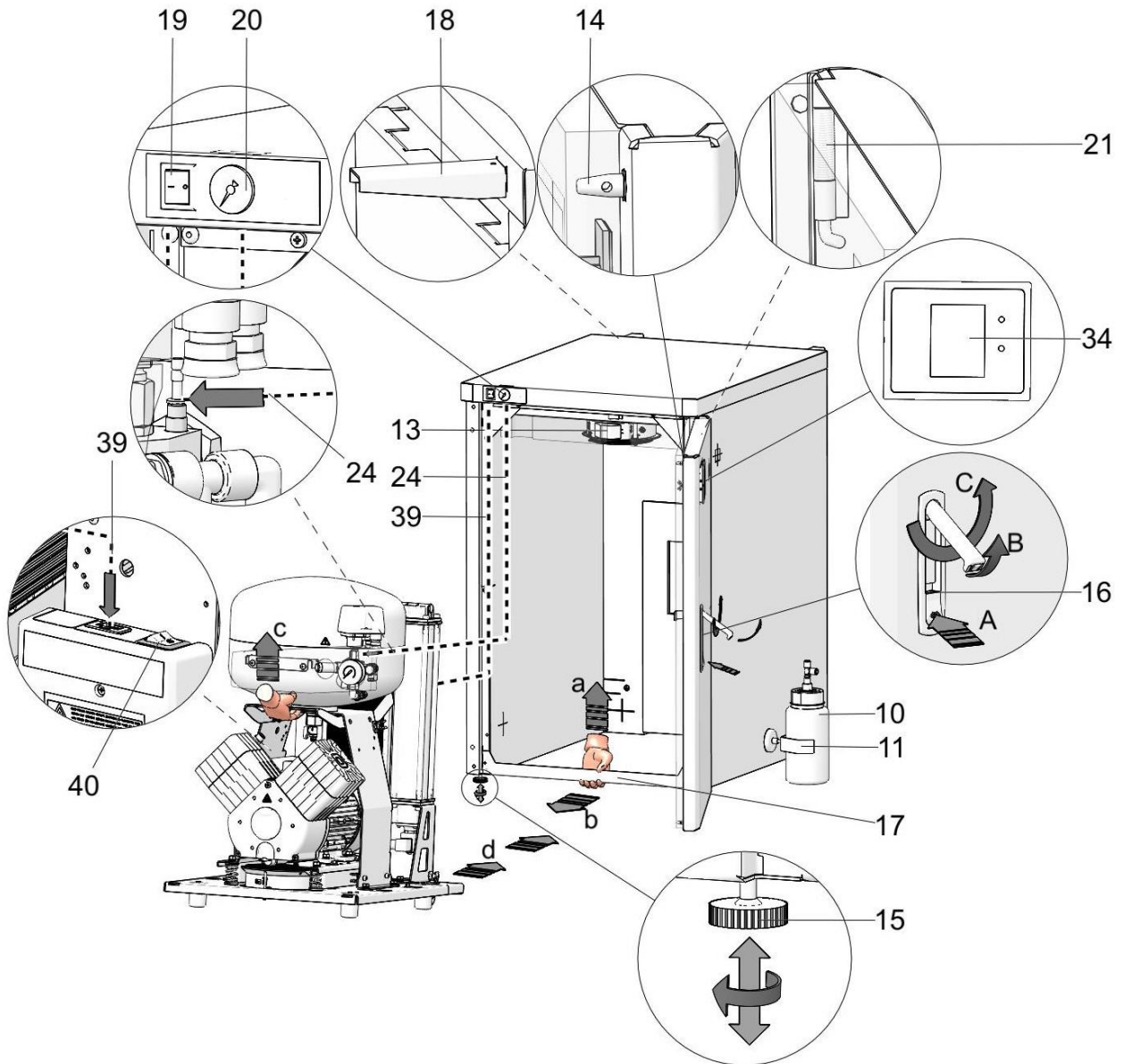
Abb. 2: Adsorptionstrockner



ADM140/25

- * Position 34 gilt für das Modell DK50 2V/M ohne Schrank; Position 34 beim DK50 2VS/M mit Schrank ist eine einfache Abdeckung.
- ** Bei der Schrankausführung wird das mit dem Display (36) in der Vorderseite des Schranks verbundene Kabel durch die Universalbuchse geführt.

Abb. 3: Gehäuse



TECHNISCHE DATEN

Die Kompressoren sind für den Betrieb in trockenen, belüfteten und staubfreien Innenräumen unter den folgenden klimatischen Bedingungen vorgesehen:

Temperatur +5 °C bis +40 °C

Relative Feuchtigkeit max. 70 %

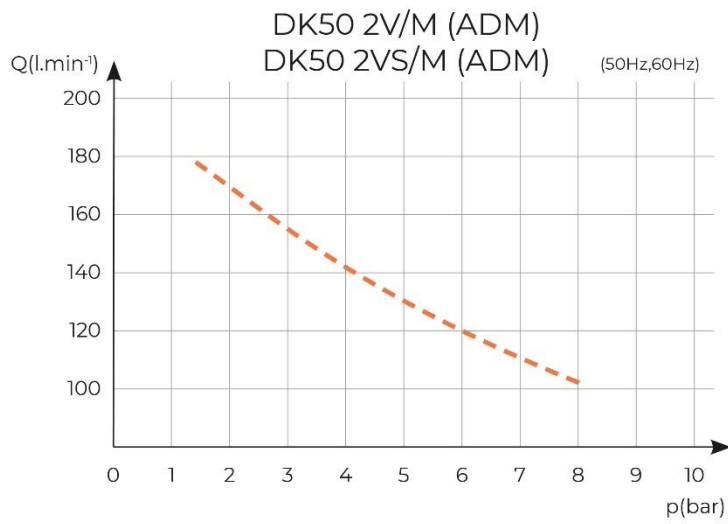
Arbeitsdruck 6 bis 8 bar		DK50 2V/M	DK50 2V S/M
Nennspannung, Frequenz ^{a)}	V, Hz	230, 50	230, 50
Kapazität bei 6 bar (FAD)	l/min	120	120
Arbeitsdruck ^{b)}	bar	6,0 – 8,0	6,0 – 8,0
Nennstrom	A	8,8	9,0
Motorleistung	kW	1,2	1,2
Volumen Drucklufttank	l	25	25
Luftqualität – Filterung	µm	-	-
Max. Betriebsdruck des Sicherheitsventils	bar	11,0	11,0
Geräuschpegel bei 5 bar (L _{pA})	dB	≤69,0	≤55,0
Betriebsmodus	%	S1-100	S1-100
DTP-Trocknungsleistung bei 7 bar ^{d)}	°C	≤ -20	≤ -20
Alarm niedriger Druck im Trockner	bar	< 3	< 3
Alarm hoher Druck im Trockner	bar	> 9	> 9
Alarm hoher Taupunkt im Trockner	°C	> -20	> -20
Zeit, den Druckluftspeicher von 0 bis 7 bar zu füllen	s	90	90
Abmessungen (netto) L x B x H	mm	460x620x720	560x720x880
Nettogewicht ^{c)}	kg	69	110
Klassifizierung unter EN 60601-1		Klasse I.	

^{a)} Bei Bestellung die Kompressorversion angeben

^{b)} Für andere Druckbereiche kontaktieren Sie den Lieferanten

^{c)} Das Gewicht ist vorläufig und gilt nur für das Produkt ohne Zubehörteile

Abhängigkeit von Kompressorkapazität und Arbeitsdruck



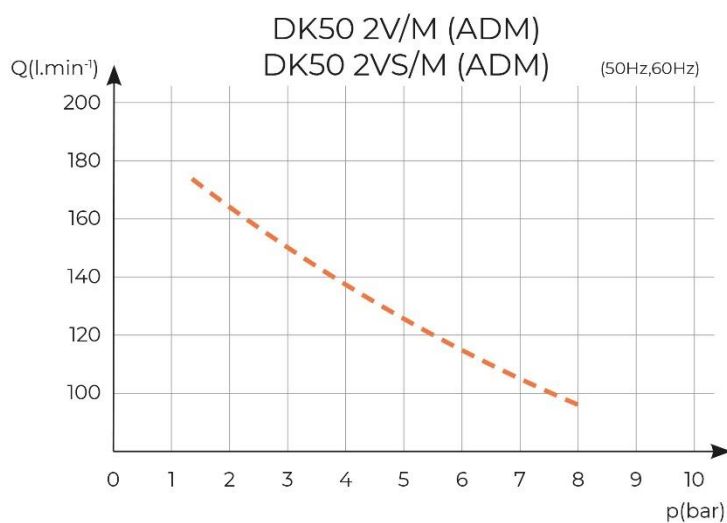
Arbeitsdruck 6 bis 8 bar		DK50 2V/M	DK50 2V S/M
Nennspannung, Frequenz ^{a)}	V, Hz	230, 50	230, 50
Kapazität bei 6 bar (FAD)	l/min	115	115
Arbeitsdruck ^{b)}	bar	6,0 – 8,0	6,0 – 8,0
Nennstrom	A	8,8	9,0
Motorleistung	kW	1,2	1,2
Volumen Drucklufttank	l	25	25
Luftqualität – Filterung	µm	-	-
Max. Betriebsdruck des Sicherheitsventils	bar	11,0	11,0
Geräuschpegel bei 5 bar (L _{pA})	dB	≤69,0	≤55,0
Betriebsmodus	%	S1-100	S1-100
DTP-Trocknungsleistung bei 7 bar ^{d)}	°C	≤ -40	≤ -40
Alarm niedriger Druck im Trockner	bar	< 3	< 3
Alarm hoher Druck im Trockner	bar	> 9	> 9
Alarm hoher Taupunkt im Trockner	°C	> -40	> -40
Zeit, den Druckluftspeicher von 0 bis 7 bar zu füllen	s	100	100
Abmessungen (netto) L x B x H	mm	460x620x720	560x720x880
Nettogewicht ^{c)}	kg	69	110
Klassifizierung unter EN 60601-1	Klasse I.		

^{a)} Bei Bestellung die Kompressorversion angeben

^{b)} Für andere Druckbereiche kontaktieren Sie den Lieferanten

^{c)} Das Gewicht ist vorläufig und gilt nur für das Produkt ohne Zubehörteile

Abhängigkeit von Kompressorkapazität und Arbeitsdruck



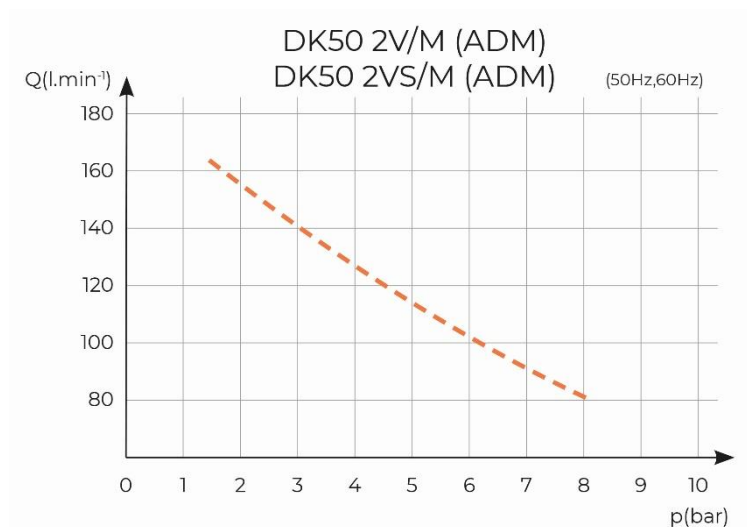
Arbeitsdruck 6 bis 8 bar		DK50 2V/M	DK50 2V S/M
Nennspannung, Frequenz ^{a)}	V, Hz	230, 50	230, 50
Kapazität bei 6 bar (FAD)	l/min	100	100
Arbeitsdruck ^{b)}	bar	6,0 – 8,0	6,0 – 8,0
Nennstrom	A	8,8	9,0
Motorleistung	kW	1,2	1,2
Volumen Drucklufttank	l	25	25
Luftqualität – Filterung	µm	-	-
Max. Betriebsdruck des Sicherheitsventils	bar	11,0	11,0
Geräuschpegel bei 5 bar (L _{pA})	dB	≤69,0	≤55,0
Betriebsmodus	%	S1-100	S1-100
DTP-Trocknungsleistung bei 7 bar ^{d)}	°C	≤ -70	≤ -70
Alarm niedriger Druck im Trockner	bar	< 3	< 3
Alarm hoher Druck im Trockner	bar	> 9	> 9
Alarm hoher Taupunkt im Trockner	°C	> -68	> -68
Zeit, den Druckluftspeicher von 0 bis 7 bar zu füllen	s	110	110
Abmessungen (netto) L x B x H	mm	460x620x720	560x720x880
Nettogewicht ^{c)}	kg	69	110
Klassifizierung unter EN 60601-1		Klasse I.	

a) Bei Bestellung die Kompressorversion angeben

b) Für andere Druckbereiche kontaktieren Sie den Lieferanten

c) Das Gewicht ist vorläufig und gilt nur für das Produkt ohne Zubehörteile

Abhängigkeit von Kompressorkapazität und Arbeitsdruck



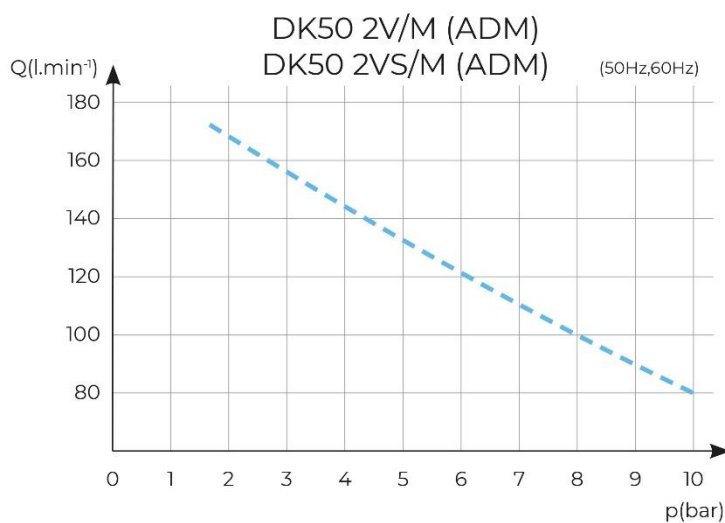
Arbeitsdruck 8 bis 10 bar		DK50 2V/M	DK50 2V S/M
Nennspannung, Frequenz ^{a)}	V, Hz	230, 50	230, 50
Kapazität bei 8 bar (FAD)	l/min	100	100
Arbeitsdruck ^{b)}	bar	8,0 – 10,0	8,0 – 10,0
Nennstrom	A	8,6	8,8
Motorleistung	kW	1,2	1,2
Volumen Drucklufttank	l	25	25
Luftqualität – Filterung	µm	-	-
Max. Betriebsdruck des Sicherheitsventils	bar	11,0	11,0
Geräuschpegel bei 5 bar (L _{pA})	dB	≤69,0	≤55,0
Betriebsmodus	%	S1-100	S1-100
DTP-Trocknungsleistung bei 7 bar ^{d)}	°C	≤ -20	≤ -20
Alarm niedriger Druck im Trockner	bar	< 3	< 3
Alarm hoher Druck im Trockner	bar	> 11	> 11
Alarm hoher Taupunkt im Trockner	°C	> -20	> -20
Zeit, den Druckluftspeicher von 0 bis 7 bar zu füllen	s	115	115
Abmessungen (netto) L x B x H	mm	460x620x720	560x720x880
Nettogewicht ^{c)}	kg	71	112
Klassifizierung unter EN 60601-1		Klasse I.	

^{a)} Bei Bestellung die Kompressorversion angeben

^{b)} Für andere Druckbereiche kontaktieren Sie den Lieferanten

^{c)} Das Gewicht ist vorläufig und gilt nur für das Produkt ohne Zubehörteile

Abhängigkeit von Kompressorkapazität und Arbeitsdruck



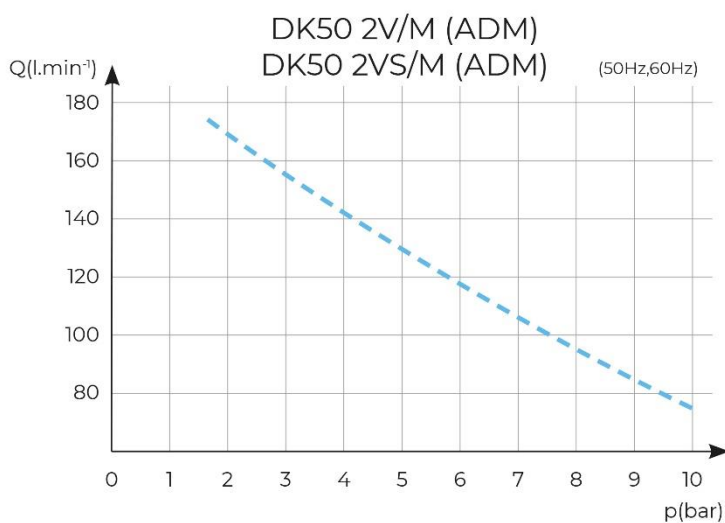
Arbeitsdruck 8 bis 10 bar		DK50 2V/M	DK50 2V S/M
Nennspannung, Frequenz ^{a)}	V, Hz	230, 50	230, 50
Kapazität bei 8 bar (FAD)	l/min	95	95
Arbeitsdruck ^{b)}	bar	8,0 – 10,0	8,0 – 10,0
Nennstrom	A	8,6	8,8
Motorleistung	kW	1,2	1,2
Volumen Drucklufttank	l	25	25
Luftqualität – Filterung	µm	-	-
Max. Betriebsdruck des Sicherheitsventils	bar	11,0	11,0
Geräuschpegel bei 5 bar (L _{pA})	dB	≤69,0	≤55,0
Betriebsmodus	%	S1-100	S1-100
DTP-Trocknungsleistung bei 7 bar ^{d)}	°C	≤ -40	≤ -40
Alarm niedriger Druck im Trockner	bar	< 3	< 3
Alarm hoher Druck im Trockner	bar	> 11	> 11
Alarm hoher Taupunkt im Trockner	°C	> -40	> -40
Zeit, den Druckluftspeicher von 0 bis 7 bar zu füllen	s	120	120
Abmessungen (netto) L x B x H	mm	460x620x720	560x720x880
Nettogewicht ^{c)}	kg	71	112
Klassifizierung unter EN 60601-1		Klasse I.	

^{a)} Bei Bestellung die Kompressorversion angeben

^{b)} Für andere Druckbereiche kontaktieren Sie den Lieferanten

^{c)} Das Gewicht ist vorläufig und gilt nur für das Produkt ohne Zubehörteile

Abhängigkeit von Kompressorkapazität und Arbeitsdruck



FAD-Kapazitätskorrektur für Höhenlagen

Die Kapazität in Form von FAD („Free Air Delivery“ = Volumenstrom bzw. Liefermenge) gilt für die folgenden Bedingungen:

Höhenlage	0 m ü. M.	Temperatur	20 °C
Umgebungsdruck	101325 Pa	Relative Feuchtigkeit	0 %

Um die FAD-Kompressorkapazität in Abhängigkeit von der Höhenlage zu berechnen, muss der Korrekturfaktor gemäß der folgenden Tabelle angewendet werden:

Höhenlage [m ü. M.]	0 bis 1.500	1.501 bis 2.500	2.501 bis 3.500	3.501 bis 4.500
FAD-Korrekturfaktor	1	0,80	0,71	0,60

Konformitätserklärung für elektromagnetische verträglichkeit

Medizinische Geräte erfordern spezielle Vorsichtsmaßnahmen in Bezug auf elektromagnetische Verträglichkeit (EMV) und müssen entsprechend den nachfolgenden EMV-Angaben installiert und verwendet werden.


Anleitung und Herstellererklärung – elektromagnetische Emissionen		
Gemäß IEC 60601-1-2:2014/AMD1:2020 - Medizinische elektrische Geräte - Teil 1-2: Allgemeine Festlegungen für die Sicherheit einschließlich der wesentlichen Leistungsmerkmale – Ergänzungsnorm: Elektromagnetische Störgrößen - Anforderungen und Prüfungen		
Das Gerät ist für die Verwendung in der nachfolgend beschriebenen elektromagnetischen Umgebung bestimmt: Der Kunde oder Benutzer des Geräts sollte sicherstellen, dass sie in einer derartigen Umgebung zum Einsatz kommt.		
Emissionsprüfung	Compliance	Elektromagnetische Umgebung – Anleitung
HF-Emissionen CISPR 11	Gruppe 1	Das Gerät verwendet HF-Energie nur für seine internen Funktionen. Deshalb sind die HF-Emissionen sehr niedrig, und es ist unwahrscheinlich, dass sie Störungen mit elektronischen Geräten in der Nähe verursachen.
HF-Emissionen CISPR 11	Klasse B	Das Gerät ist zur Verwendung in allen Einrichtungen geeignet, einschließlich in häuslichen Einrichtungen und solchen, die direkt an das öffentliche Niederspannungsversorgungsnetzwerk angeschlossen sind, das Gebäude für Wohnzwecke versorgt.
Oberwellenemissionen IEC 61000-3-2	Klasse A	
Spannungsschwankungen/ Flicker IEC 61000-3-3	Es ist unwahrscheinlich, dass das Gerät Flackern verursacht, da der Stromfluss nach dem Einschalten ziemlich konstant ist.	

Anleitung und Herstellererklärung – elektromagnetische Immunität

Gemäß IEC 60601-1-2:2014/AMD1:2020 - Medizinische elektrische Geräte - Teil 1-2: Allgemeine Festlegungen für die Sicherheit einschließlich der wesentlichen Leistungsmerkmale – Ergänzungsnorm: Elektromagnetische Störgrößen - Anforderungen und Prüfungen

Das Gerät ist für die Verwendung in der nachfolgend beschriebenen elektromagnetischen Umgebung bestimmt: Der Kunde oder Benutzer des Geräts sollte sicherstellen, dass sie in einer derartigen Umgebung zum Einsatz kommt.

Immunitätsprüfung	IEC 60601-1-2 Teststufe	Compliance-Stufe	Elektromagnetische Umgebung – Anleitung
Elektrostatische Entladung (ESD) IEC 61000-4-2	±8 kV Kontakt ±15 kV Luft	±8 kV Kontakt ±15 kV Luft	Böden sollten aus Holz, Beton oder Keramikfliesen sein. Wenn Böden mit synthetischen Materialien ausgelegt sind, sollte die relative Feuchtigkeit mindestens 30 % betragen.
Elektrische Störgrößen/Burst IEC 61000-4-4	±2 kV für Netzstromleitungen ±1 kV für Eingangs-/Ausgangsleitungen	±2 kV 100 kHz Wiederholfrequenz Angewandt für Netzanschluss	Die Netzstromqualität sollte die einer typischen Gewerbe- oder Krankenhausumgebung sein.
Überspannung IEC 61000-4-5	±1 kV Differenzmodus ±2 kV Gleichtakt	±1 kV L-N ±2 kV L-PE; N-PE Angewandt für Netzanschluss	Die Netzstromqualität sollte die einer typischen Gewerbe- oder Krankenhausumgebung sein.
Spannungseinbrüche, kurze Unterbrechung und Spannungsabweichungen bei Netzstrom-Eingangsleitungen IEC 60601-4-11	$U_T = 0\%$, 0,5 Zyklus (bei 0, 45, 90, 135, 180, 225, 270 und 315°) $U_T = 0\%$, 1 Zyklus $U_T = 70\%$ 25/30 Zyklen (bei 0°) $U_T = 0\%$ 250/300 Zyklen	$U_T \Rightarrow 95\%$, 0,5 Zyklus (bei 0, 45, 90, 135, 180, 225, 270 und 315°) $U_T \Rightarrow 95\%$, 1 Zyklus $U_T = 70\%$ (30 % Einbruch U_T), 25(50Hz)/30(60Hz) Zyklen (bei 0°) $U_T \Rightarrow 95\%$, 250(50Hz)/300(60Hz) Zyklus	Die Netzstromqualität sollte die einer typischen Gewerbe- oder Krankenhausumgebung sein. Das Gerät stoppt und startet automatisch bei jedem Einbruch. In diesem Fall tritt kein nicht akzeptabler Druckabfall auf.
Netzfrequenz (50/60 Hz) IEC 61000-4-8	30 A/m	30 A/m	Magnetfelder der Netzfrequenz sollten den typischen Werten eines typischen Standorts in einer typischen Gewerbe- oder Krankenhausumgebung entsprechen.
Abgestrahlte Felder in unmittelbarer Nähe gemäß IEC 61000-4-39	30 A/m	30 A/m	Magnetfelder der Netzfrequenz sollten den typischen Werten eines typischen Standorts in einer typischen Gewerbe- oder Krankenhausumgebung entsprechen.
HINWEIS: U_T ist die Wechselstromspannung vor der Anwendung der Teststufe.			

Anleitung und Herstellererklärung – elektromagnetische Immunität			
<p>Gemäß IEC 60601-1-2:2014/AMD1:2020 - Medizinische elektrische Geräte - Teil 1-2: Allgemeine Festlegungen für die Sicherheit einschließlich der wesentlichen Leistungsmerkmale – Ergänzungsnorm: Elektromagnetische Störgrößen - Anforderungen und Prüfungen</p> <p>Das Gerät ist für die Verwendung in der nachfolgend beschriebenen elektromagnetischen Umgebung bestimmt: Der Kunde oder Benutzer des Geräts sollte sicherstellen, dass sie in einer derartigen Umgebung zum Einsatz kommt.</p>			
Immunitätsprüfung	IEC 60601-1-2 Teststufe	Compliance-Stufe	Elektromagnetische Umgebung – Anleitung
<p>Geleitete HF IEC 61000-4-6</p>	<p>3 Vrms 150 kHz bis 80MHz</p>	<p>3 Vrms</p>	<p>Tragbare und mobile HF-Kommunikationsgeräte sollten nicht näher an einem Teil des Geräts, einschließlich Kabeln, sein, als der empfohlene Trennabstand, der aus der jeweiligen Gleichung für die Frequenz des Senders berechnet wird.</p> <p>Empfohlener Trennabstand</p> <p>$d=1,2\sqrt{P}$</p> <p>$d=1,2\sqrt{P}$, 80 MHz bis 800 MHz</p> <p>$d=2,3\sqrt{P}$, 800 MHz bis 2,7 GHz</p> <p>wobei P die maximale Ausgangsnennleistung des Senders in Watt (W) gemäß Hersteller des Senders ist und d den empfohlenen Trennabstand in Metern (m) bezeichnet.</p>
<p>Gestrahlte HF IEC 61000-4-3</p>	<p>3 V/m 80 MHz bis 2,7 GHz</p>	<p>3 V/m</p>	<p>Feldstärken aus feststehenden HF-Sendern, wie durch eine elektromagnetische Standortuntersuchung ^a festgelegt, sollten weniger als die Compliance-Stufe in jedem Frequenzbereich ^b betragen. Interferenz kann in der Nähe von Geräten auftreten, die mit dem folgenden Symbol gekennzeichnet sind:</p>
<p>Abstand von HF-Drahtloskommunikationsgeräten IEC 61000-4-3</p>	<p>9 bis 28 V/m 15 spezifische Frequenzen (380 bis 5800 MHz)</p>	<p>9 bis 28 V/m 15 spezifische Frequenzen (380 bis 5800 MHz)</p>	<p></p>
<p>HINWEIS 1 Bei 80 MHz und 800 MHz gilt der jeweils höhere Frequenzbereich.</p> <p>HINWEIS 2 Diese Richtlinien gelten möglicherweise nicht in allen Situationen. Elektromagnetische Ausbreitung wird durch die Absorption und Reflektion von Strukturen, Objekten und Personen beeinflusst.</p>			
<p>^a Feldstärken von feststehenden Sendern, z. B. Basisstationen für Funktelefone (mobil/kabellos) und mobiler Landfunk, Amateurfunk, AM- und FM-Radioübertragung und TV-Übertragung können theoretisch nicht mit Genauigkeit prognostiziert werden. Für die Bewertung eines elektromagnetischen Umfeldes aufgrund von feststehenden HF-Sendern sollte eine elektromagnetische Standortüberprüfung in Betracht gezogen werden. Wenn die gemessene Feldstärke an dem Standort, an dem das Gerät verwendet wird, die oben genannte geltende HF-Compliance-Stufe übersteigt, sollte das Gerät beobachtet werden, um den Normalbetrieb zu überprüfen. Wenn ein abnormes Verhalten festgestellt wird, sind möglicherweise zusätzliche Maßnahmen erforderlich, z. B. Neuausrichtung oder Standortwechsel des Geräts.</p> <p>^b Über den Frequenzbereich von 150 kHz bis 80 MHz sollten die Feldstärken weniger als 3 V/m betragen.</p>			

INSTALLATION



Risiko von Installationsfehlern

Der Kompressor darf nur durch einen hierfür qualifizierten Techniker installiert und in Betrieb genommen werden. Dieser ist verpflichtet, professionelles Bedienpersonal bzgl. der Nutzung und Wartung der Gerätschaften zu schulen. Für den Nachweis einer Installations- und Bedienschulung erfolgt ein Eintrag in das Installationsprotokoll der Gerätschaft. (Siehe Anhang)

10. INSTALLATIONSBEDINGUNGEN

- Der Kompressor darf nur in trockenen, gut belüfteten und staubfreien Umgebungen unter den im Kapitel „Technische Daten“ aufgeführten Bedingungen installiert und verwendet werden.



Beschädigungsgefahr für das Gerät!

Die Gerätschaft darf nicht im Freien oder in sonstigen nassen oder feuchten Umgebungen verwendet werden.



Es besteht Explosionsgefahr!

Es ist verboten, die Gerätschaft in Räumen zu betreiben, in denen sich explosive Gase oder brennbare Flüssigkeiten befinden.

- Der Kompressor muss so installiert werden, dass er für die Bedienung und Wartung jederzeit leicht zugänglich ist. Stellen Sie sicher, dass das Typenschild auf dem Gerät leicht lesbar ist.
- Der Kompressor muss auf einer ebenen und ausreichend stabilen Unterlage stehen (bezogen auf das Gewicht des Kompressors ist Vorsicht geboten, siehe Kapitel „Technische Daten“).



Wenn Sie das Produkt erstmals einsetzen, stellen Sie möglicherweise (für kurze Zeit) einen Geruch nach „neuem Produkt“ fest. Dieser Geruch ist vorübergehend und beeinträchtigt die normale Nutzung des Produkts nicht. Sorgen Sie dafür, dass der Raum nach der Installation richtig gelüftet wird.

11. ZUSAMMENBAU DES KOMPRESSORS

11.1. Handhabung und Freischalten des Kompressors

- Packen Sie den Kompressor aus.
- Öffnen Sie bei Kompressoren mit Schrank die Fronttür und entfernen Sie die Anschlussleiste (17) im vorderen unteren Teil. Entfernen Sie den Schrank vom Kompressor.
- Positionieren Sie den Kompressor am Installationsort. (Abb. 4)

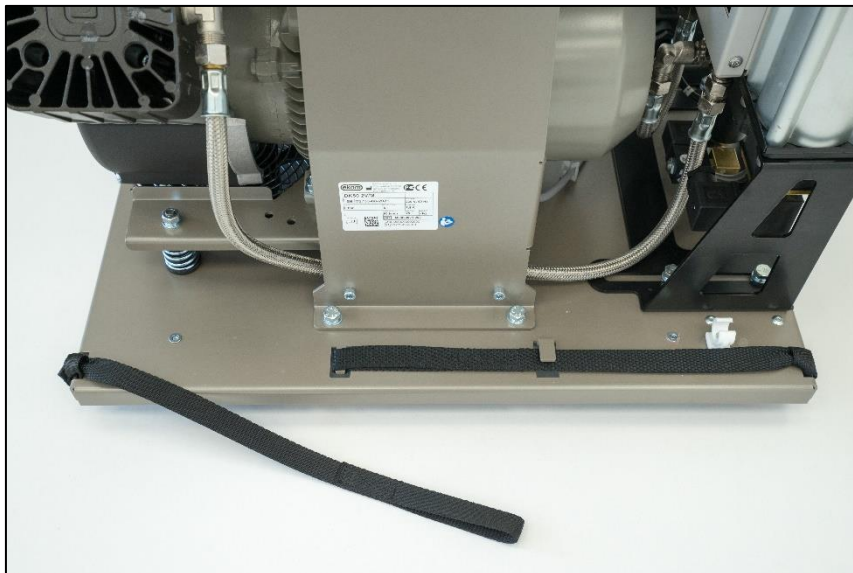


Verwenden Sie die Griffe am Kompressor, um ihn bei Bedarf zu bewegen. Verwenden Sie keine anderen Teile des Kompressors (das Aggregat, den Kühler usw.) als Griff.



Die Anzahl der Personen, die zum Umgang mit dem Gerät erforderlich sind, muss auf das Gewicht des Geräts abgestimmt sein.

Abb. 4: Handhabung des Kompressors mittels Tragegurten



Sicherung der Tragegurte nach dem Aufstellen des Kompressors am Einsatzort

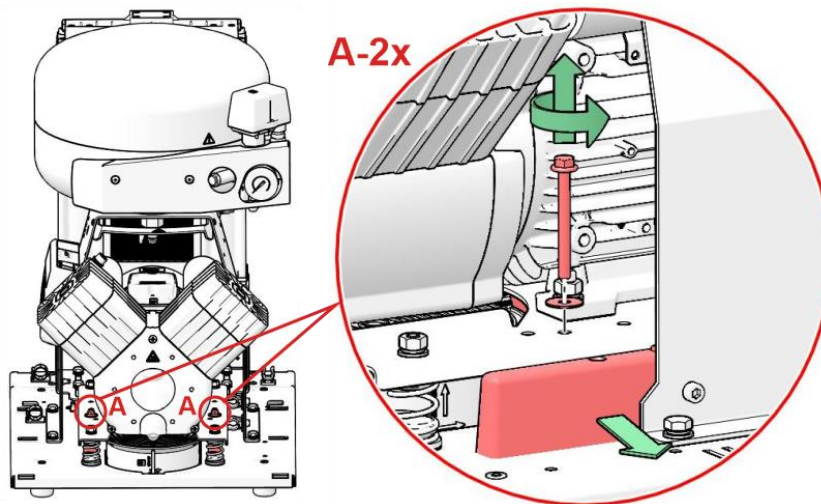
- Entfernen Sie die Transporthilfen aus den Druckluftpumpen. (Abb. 5)



Stellen Sie vor der Installation sicher, dass der Kompressor frei von Verpackungsmaterial und Stabilisatoren ist, um Schäden am Produkt zu vermeiden.

Entfernen Sie alle für die Sicherung der Aggregate verwendeten Komponenten, nachdem der Kompressor am endgültigen Einsatzort installiert und nivelliert wurde.

Abb. 5: Freischalten der Druckluftpumpen



12. PNEUMATISCHER ANSCHLUSS

12.1. Anschluss an den Druckluftausgang

- Schließen Sie den Druckschlauch (2) an den Druckluftausgang (1) des Kompressors an (Abb. 6).
- Sichern Sie den Druckschlauch in der Klemme (3) (Abb. 6).
- Verlegen Sie bei Kompressoren im Schrank den Druckschlauch durch die Öffnung auf der linken Seite in der Rückwand des Schrankes (Abb. 8).

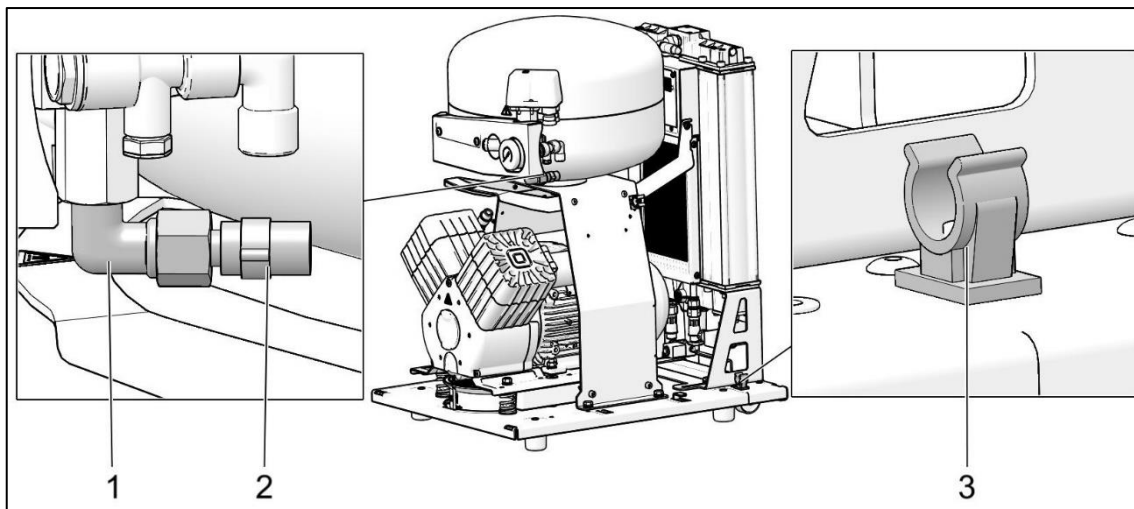


Abb. 6: Anschluss an den Druckluftausgang

12.2. Verbinden des Schrank-Druckmessers mit dem Kompressor

- Entfernen Sie den Stopfen (1) von den Gewinden (2) am Druckluftblock des Kompressors. Verbinden Sie den Gehäuse-Druckmesserschlauch mit dem Gewindeanschluss.

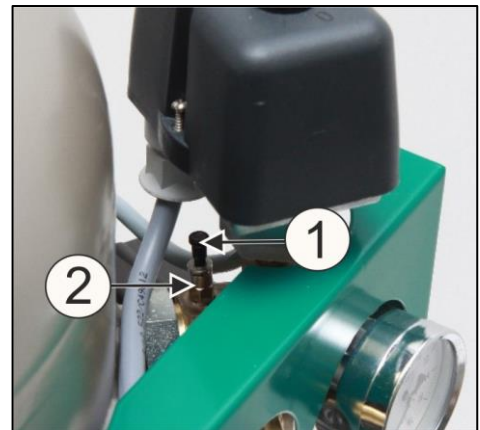


Abb. 7: Verbinden des Gehäuse-Druckmessers mit dem Kompressor

12.3. Anschluss des Kondensatbehälters

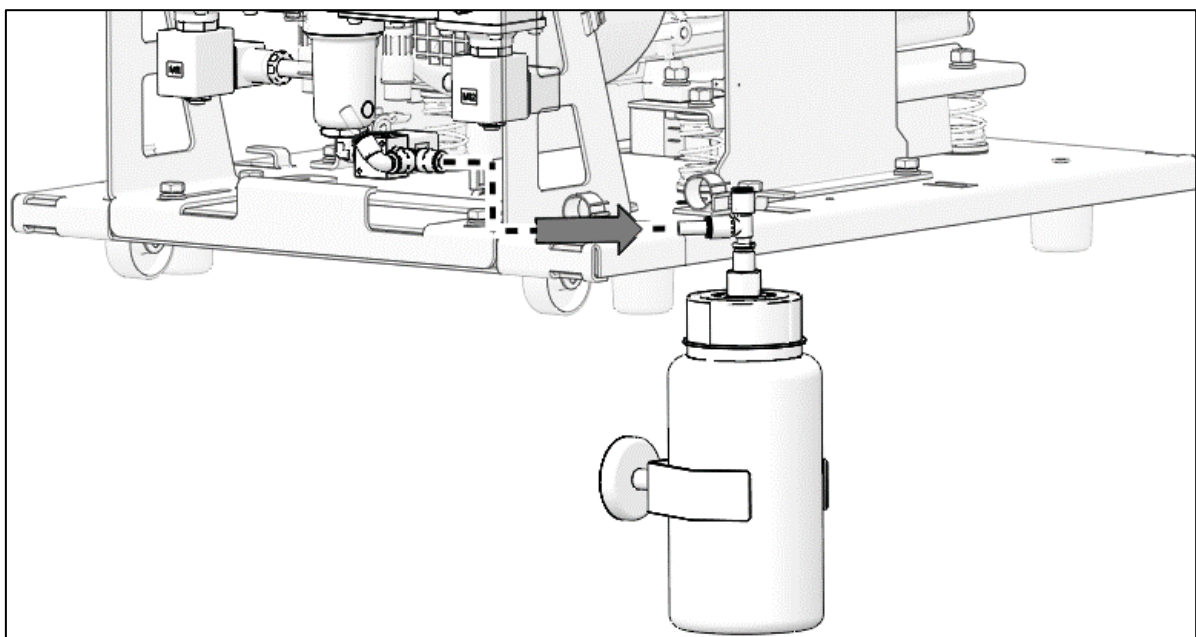
- Schließen Sie den Kondensatablaufschauch an die Kondensatbehälter der Kompressoren im Gehäuse an (Abb. 8)
- Stecken Sie den Stopfen in den freien Einlass des Kondensatsammelbehälters.
- Führen Sie bei Kompressoren mit Trockner den Schlauch durch die Öffnung in der Rückwand des Schrankes. Schließen Sie den Kondensatsammelbehälter mit dem Schlauch an den Kondensatablass des Trockners an

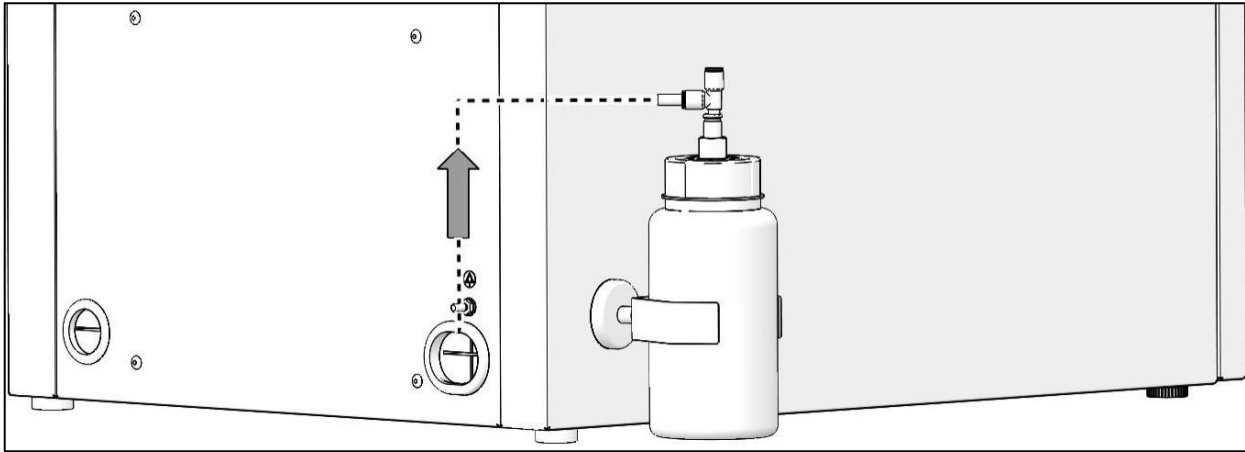


Verletzungsgefahr.

Verbinden Sie den Kondensatablauf nicht direkt mit einem Abfluss! Passanten können verletzt werden!

Abb. 8: Anschluss des Kondensatbehälters



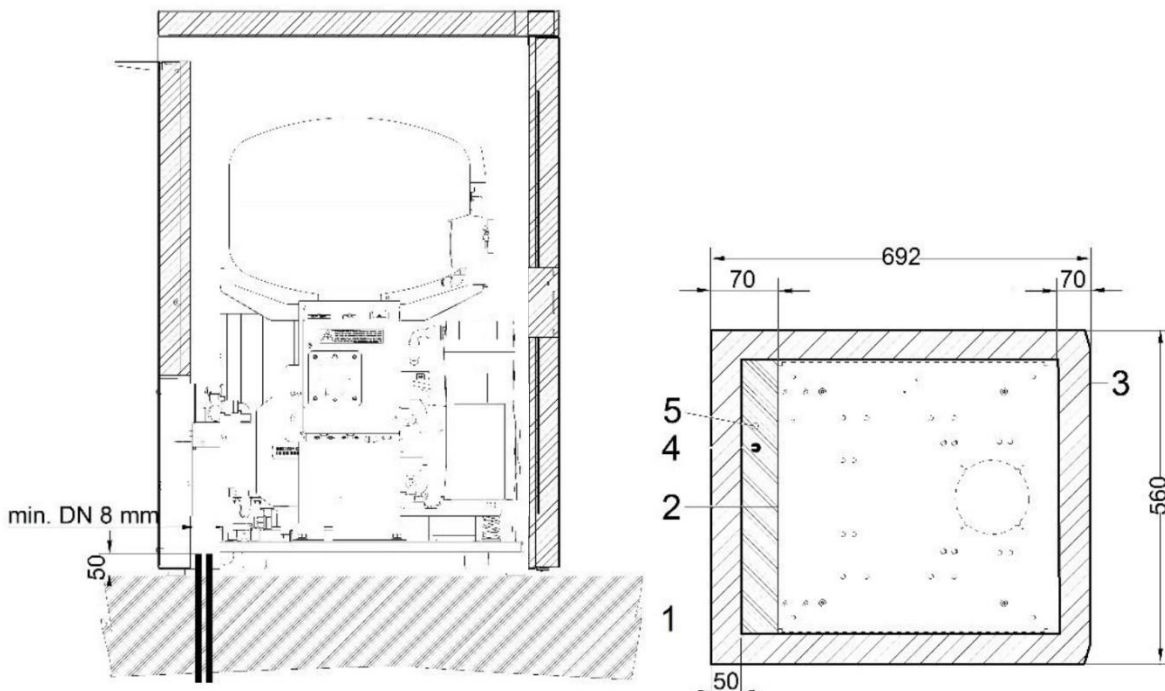


Beschädigungsgefahr für Pneumatikkomponenten!
Druckluftschläuche müssen unbeschädigt sein.

12.4. Bodeninstallation

Verbinden Sie den Kompressor mithilfe der Schläuche, die vorab am Boden vorbereitet wurden. Siehe hierzu Installationsplan.

Abb. 9: Bodeninstallation



Beschreibung für Abb. 9:

- | | |
|-----------------------------|---------------------------------|
| 1. Übersicht Gehäuse | 4. Druckluft - Anschluss, G3/8" |
| 2. Übersicht Grundlage | 5. Netzstrom- Eingang: |
| 3. Vorderer Abschnitt – Tür | 230 V, 50(60) Hz 3G1.0x4000 |

- alle Maße sind in Millimetern
- Abstand von der Wand mind. 100 mm

13. ELEKTRISCHER ANSCHLUSS

- Das Produkt wird mit einem Kabel mit Stecker und Erdungsstift geliefert.
- Die Steckdose muss leicht zugänglich sein, damit das Gerät sicher vom Strom getrennt werden kann.
- Der Stromkreis muss im Sicherungskasten max. 16 A haben.



Stromschlaggefahr!

Alle relevanten elektrotechnischen Vorschriften am Aufstellungsort sind einzuhalten. Die Netzspannung und Netzfrequenz müssen mit den Angaben auf dem Geräteetikett übereinstimmen.



Brand- und Stromschlaggefahr!

Stromkabel dürfen nicht mit heißen Kompressorteilen in Berührung kommen.



Brand- und Stromschlaggefahr!

Stromkabel müssen unbeschädigt sein.



Das DK50 2V S/M, -Kompressorgehäuse, Modellausführung mit 6-8 bar, ist mit einem Kühlerlüfter und einem Schalter ausgestattet. Das Gehäuse muss verbunden werden, indem das Kabel mit Stecker in den passenden Anschluss im Schaltkasten eingesteckt wird.

- Verbinden Sie den Stift für den Potenzialausgleich 6 Ø mm (1) mit dem Stromkreislauf entsprechend der in den gültigen Vorschriften für elektrische Arbeiten aufgeführten Methode.
- Die Buchse für den Potenzialausgleich (2) ist ein Zubehörteil und nicht im Grundpaket enthalten.



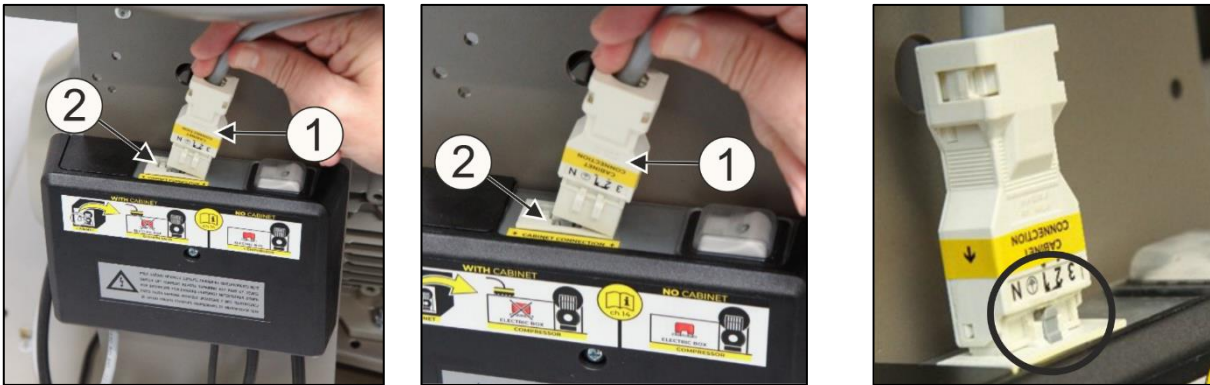
Abb. 10: Potenzialausgleich

13.1. Anschließen eines Kompressors ohne Gehäuse

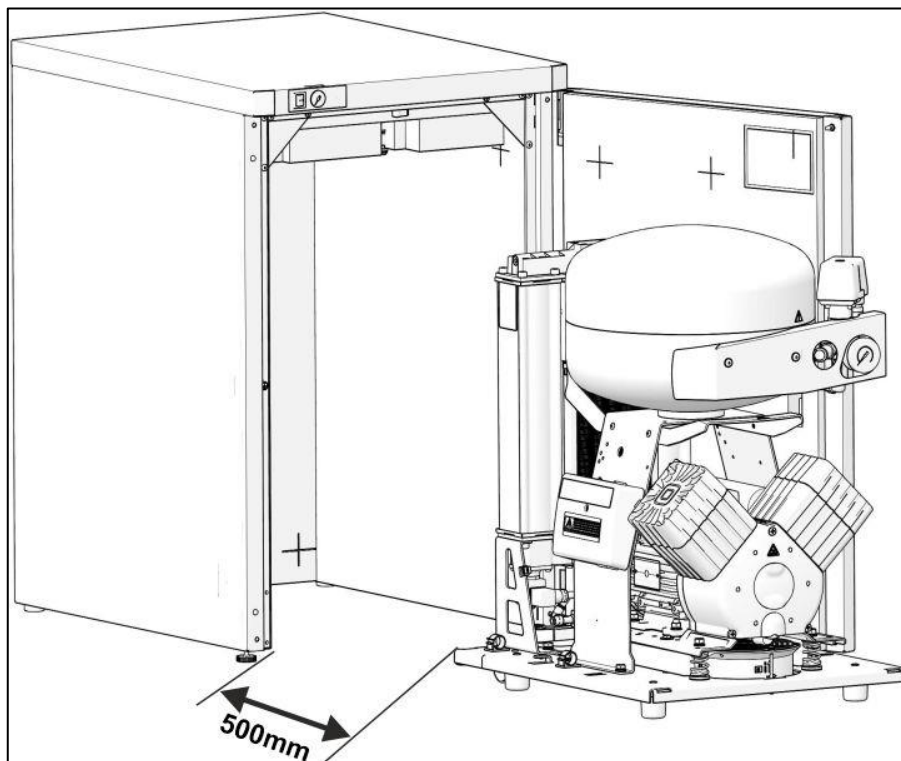
- Stecken Sie den Netzstecker in eine Steckdose mit entsprechender Spannung.
- Der Kompressor ist nun betriebsbereit.

13.2. Anschließen eines Kompressors mit Gehäuse

- Führen Sie bei Kompressoren mit Gehäuse den Netzstecker durch die Öffnung an der Rückwand des Gehäuses.
- Schließen Sie den Stromanschluss des Schaltschranks an den Kompressor an, indem Sie den Stecker (1) des mitgelieferten Netzkabels in eine Steckdose stecken. (Abb. 11: Anschließen eines Kompressors mit Gehäuse)
- Unterbrechen Sie die den elektrischen Anschluss zwischen Schaltschrank und Kompressor, indem Sie den Stecker (1) aus der Steckdose ziehen, während die Verriegelung gelöst ist.
- Schließen Sie das Display an der Fronttür des Schrankes an, befestigen Sie dann das Kabel am Display in den Klemmen (1). (Abb. 16)

Abb. 11: Anschließen eines Kompressors mit Gehäuse**14. PLATZIERUNG DES KOMPRESSORS IM SCHRANK**

- Positionieren Sie den Kompressor in einem Abstand von mindestens 500 mm vom Schrank, um die Bewegung der Schläuche und des Netzkabels im Schrank zu ermöglichen (Abb. 12).

**Abb. 12: Positionierung des Kompressors für Anschlüsse**

- Stellen Sie die pneumatischen Anschlüsse gemäß Kapitel 12.1 her.
- Schließen Sie den Kondensatsammelbehälter gemäß Kapitel 12.3 her.
- Führen Sie den Druckschlauch, den Kondensatablaufschauch und das Netzkabel durch die Öffnung in der Schrankrückwand.
- Positionieren Sie den Kompressor in einem solchen Abstand vom Schrank, dass der WINSTA-Stecker die elektrische Verbindung zwischen Kompressor und Schrank herstellen kann (Abb. 11, Abb. 13).

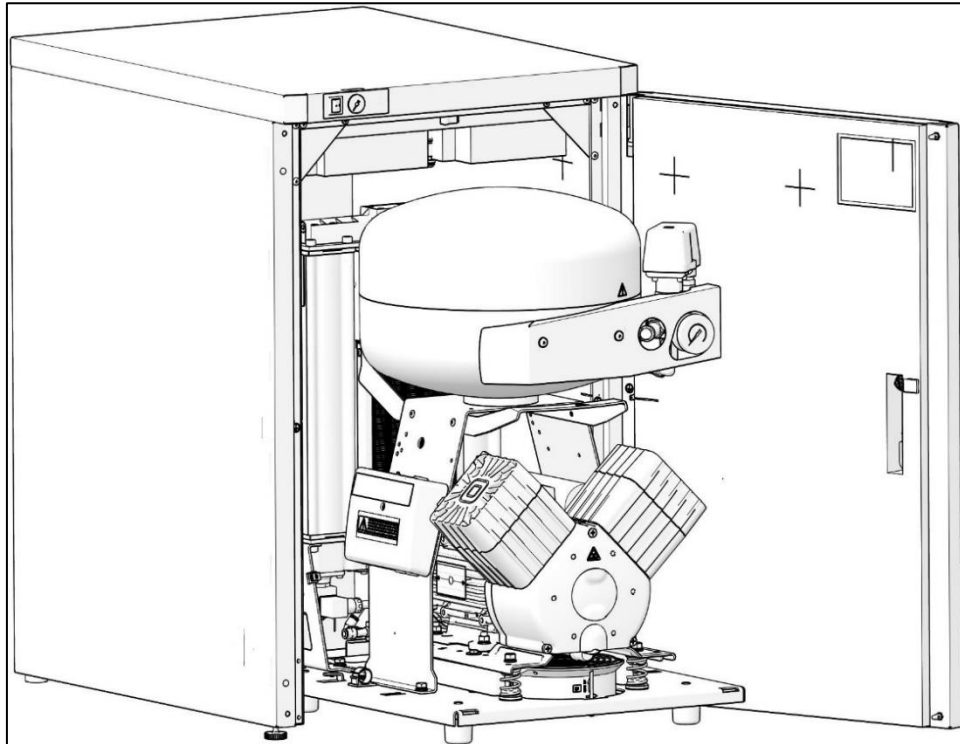


Abb. 13: Positionierung des Kompressors für elektrische Anschlüsse

- Schließen Sie den Kompressor gemäß Kapitel 13 an die Stromversorgung an.
- Schieben Sie den Kompressor in den Schrank und sichern Sie ihn mit der Anschlussleiste (17).



Ein Kompressor mit Lufttrockner darf nicht bis zum Anschlag in das Gehäuse eingeführt werden, da der Trockner hierdurch dauerhaft beschädigt werden kann.

- Überprüfen Sie anhand des Kontrollmaßes (Abb. 14) dass der Kompressor vollständig in den Schrank eingesetzt ist.

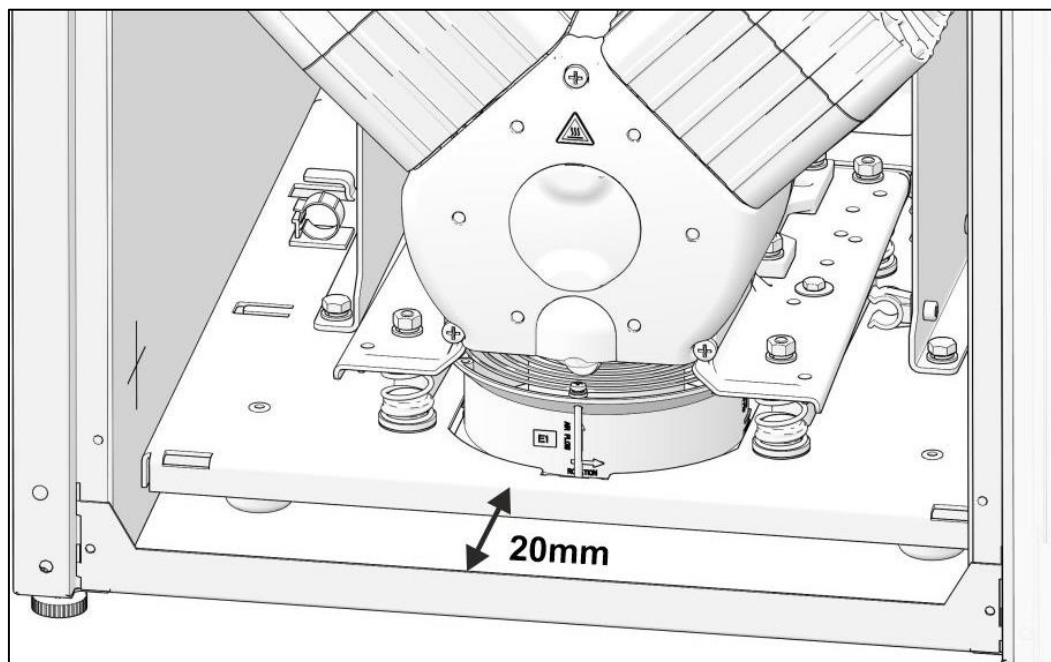


Abb. 14: Positionierung des Kompressors DK50 2V/M im Schaltschrank

- Verbinden Sie den Gehäuse-Druckmesser gemäß Kapitel 12.2 mit dem Kompressor.
- Schließen Sie das Display an der Fronttür des Schrankes (Abb. 15), an, befestigen Sie dann das Kabel am Display in den Klemmen (Abb. 16).



Abb. 15: Anschließen des Displaysteckers



Abb. 16: Position der Klemmen im Gehäuse

15. INBETRIEBNAHME

- Überprüfen Sie, ob alle für den Transport verwendeten Befestigungselemente entfernt wurden.
- Überprüfen Sie den Druckluftanschluss (siehe Kapitel 12).
- Überprüfen Sie den Anschluss an den Netzstrom (siehe Kapitel 13).
- Überprüfen Sie die Stellung des Trennschalters; dieser muss auf der Position „I“ stehen. Steht er auf der Position „0“, drehen Sie den Schalter (2) auf die Position „I“. (Abb. 17)
- Stellen Sie am Kompressor den Schalter (5) an der Vorderseite des Gehäuses auf die Position „I“; die grüne Leuchte zeigt an, dass das Gerät betriebsbereit ist. (Abb. 17)

- Kontrollieren Sie die Verbindung des Gehäuse-Druckmessschlauchs zum Druckluftblock des Kompressors.
- Überprüfen Sie den Anschluss des Kondensatauffangbehälters (siehe Kapitel 12.3).
- Überprüfen Sie den Anschluss des Displays an der Fronttür des Schrankes.
- Stellen Sie am Kompressordisplay die Sprache, Uhrzeit und den Trocknungsmodus (siehe Kapitel 20.2) ein.

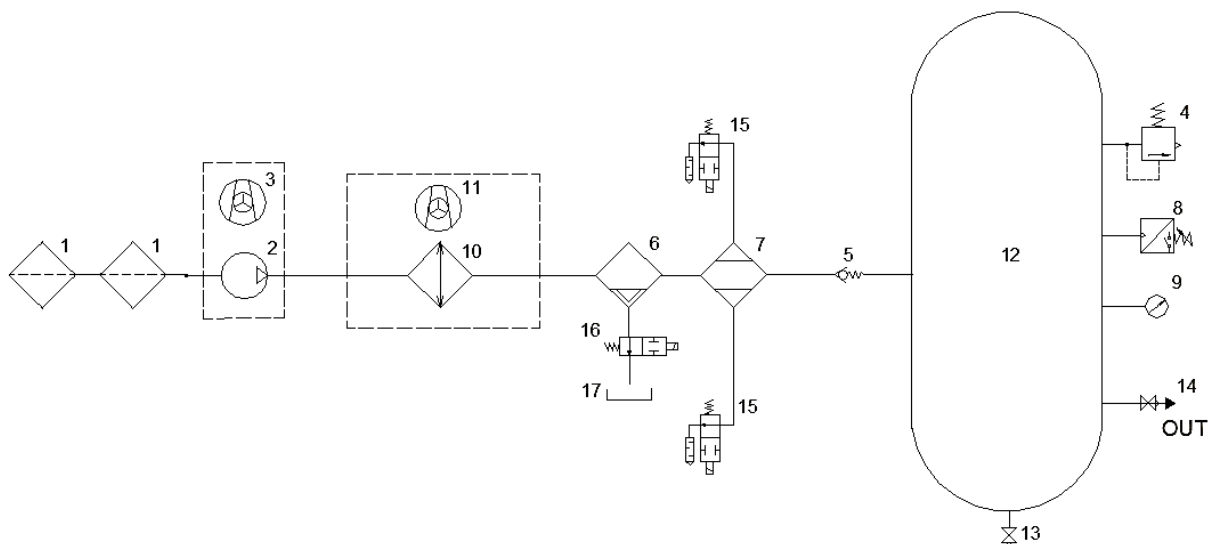


Der Kompressor besitzt keine Reserveenergiequelle.

16. DRUCKLUFT- UND ELEKTROSCHALTPLÄNE

16.1. Druckluftplan

DK50 2V/M, DK50 2V S/M



Beschreibung des Druckluftplans:

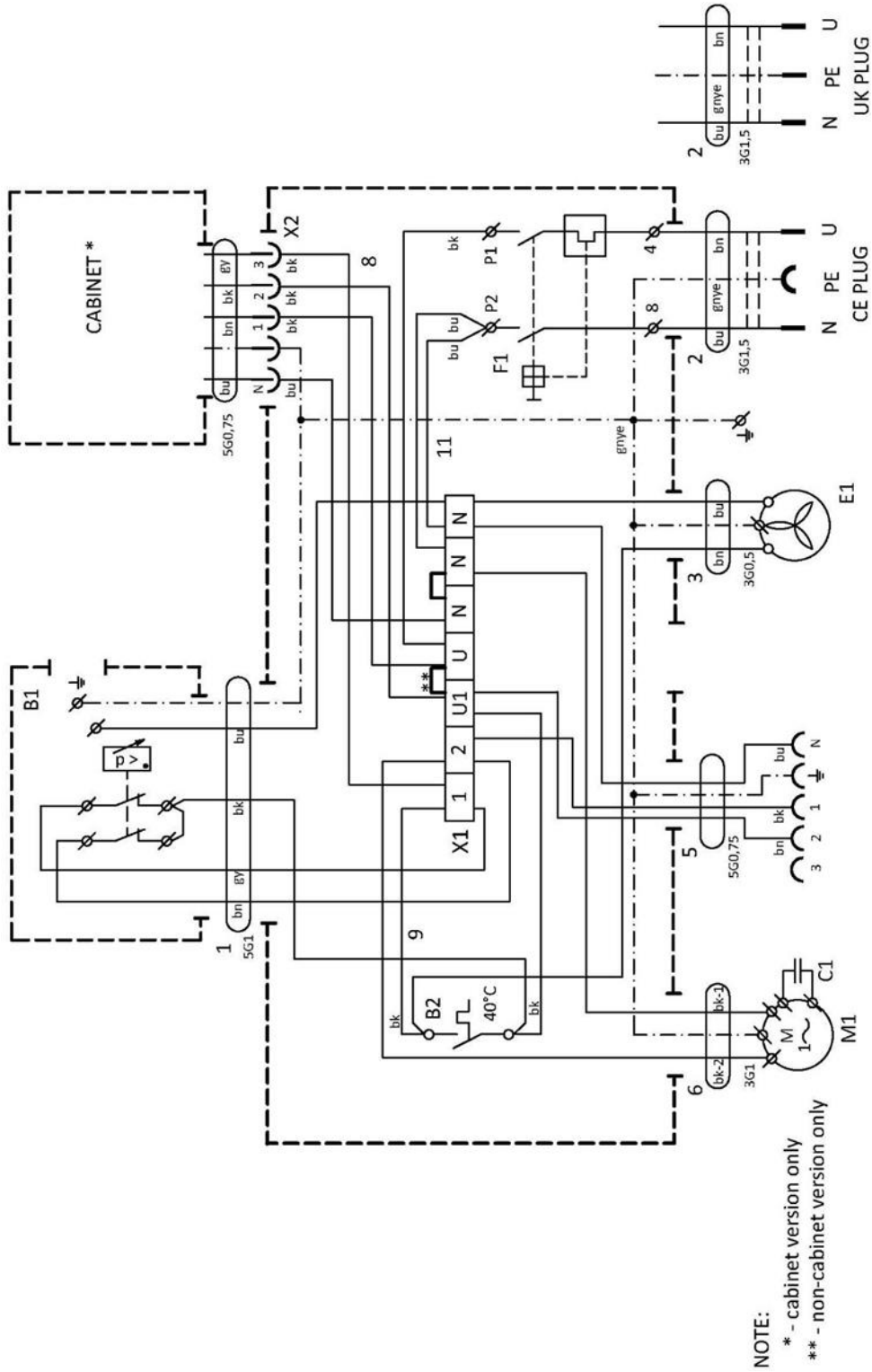
- | | |
|-----------------------|------------------------------|
| 1 Ansaugfilter | 10 Kühler |
| 2 Aggregat | 11 Kühlerlüfter |
| 3 Lüfter | 12 Druckluftbehälter |
| 4 Sicherheitsventil | 13 Kondensatablassventil |
| 5 Rückschlagventil | 14 Ablassventil |
| 6 Kondensatabscheider | 15 Regenerationsmagnetventil |
| 7 Trockner | 16 Kondensatablassventil |
| 8 Druckschalter | 17 Kondensatauffangbehälter |
| 9 Manometer | |

16.2. Elektroschaltpläne

DK50 2V S/M

1/N/PE 230 V, 50/60 Hz

ELEKTRISCHE OBJEKTKLASSE 1



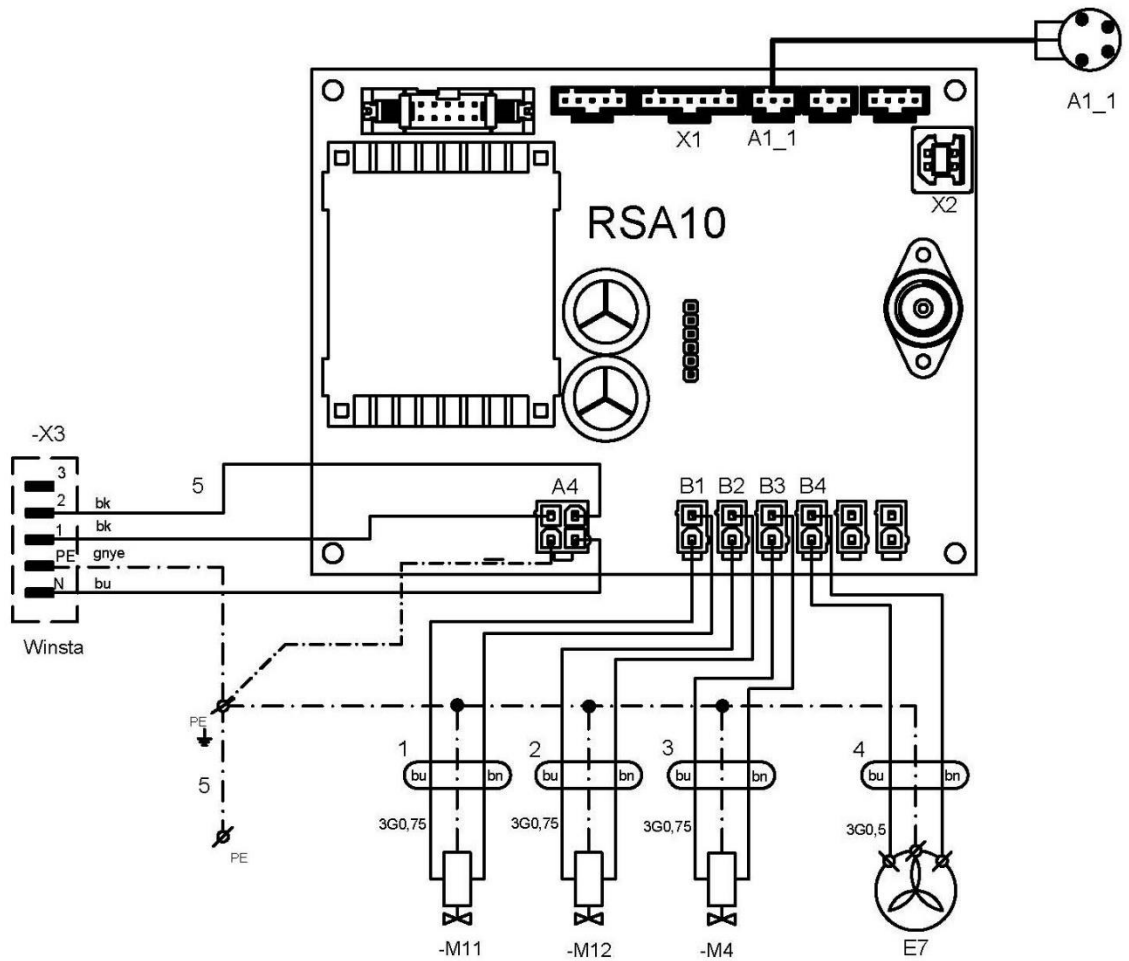
Hinweis:

- Schließen Sie den Jumper nur für Kompressormodelle ohne Gehäuse an (siehe Kap. 23.10)

AD140

1/N/PE ~ 230V, 50Hz / 230V, 60Hz
 ~ 120V, 60Hz

ELEKTRISCHE OBJEKTKLASSE 1



Hinweis:

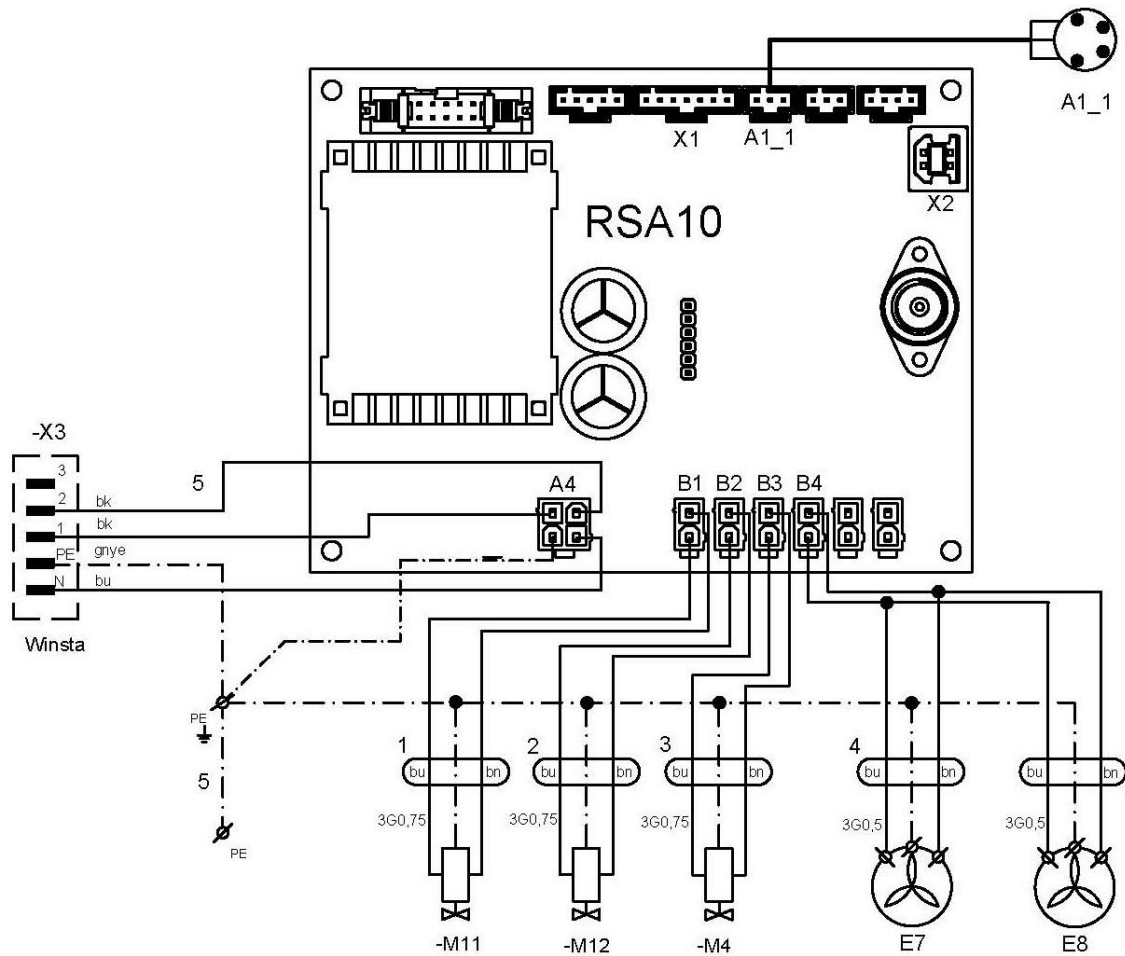
- Der Taupunktsensor (A1_1) ist nicht im Lieferumfang des Trockners enthalten. Wenden Sie sich für weitere Einzelheiten bitte an Ihren Lieferanten.

AD280

1/N/PE ~ 230V, 50Hz / 230V, 60Hz

~ 120V, 60Hz

ELEKTRISCHE OBJEKTKLASSE 1

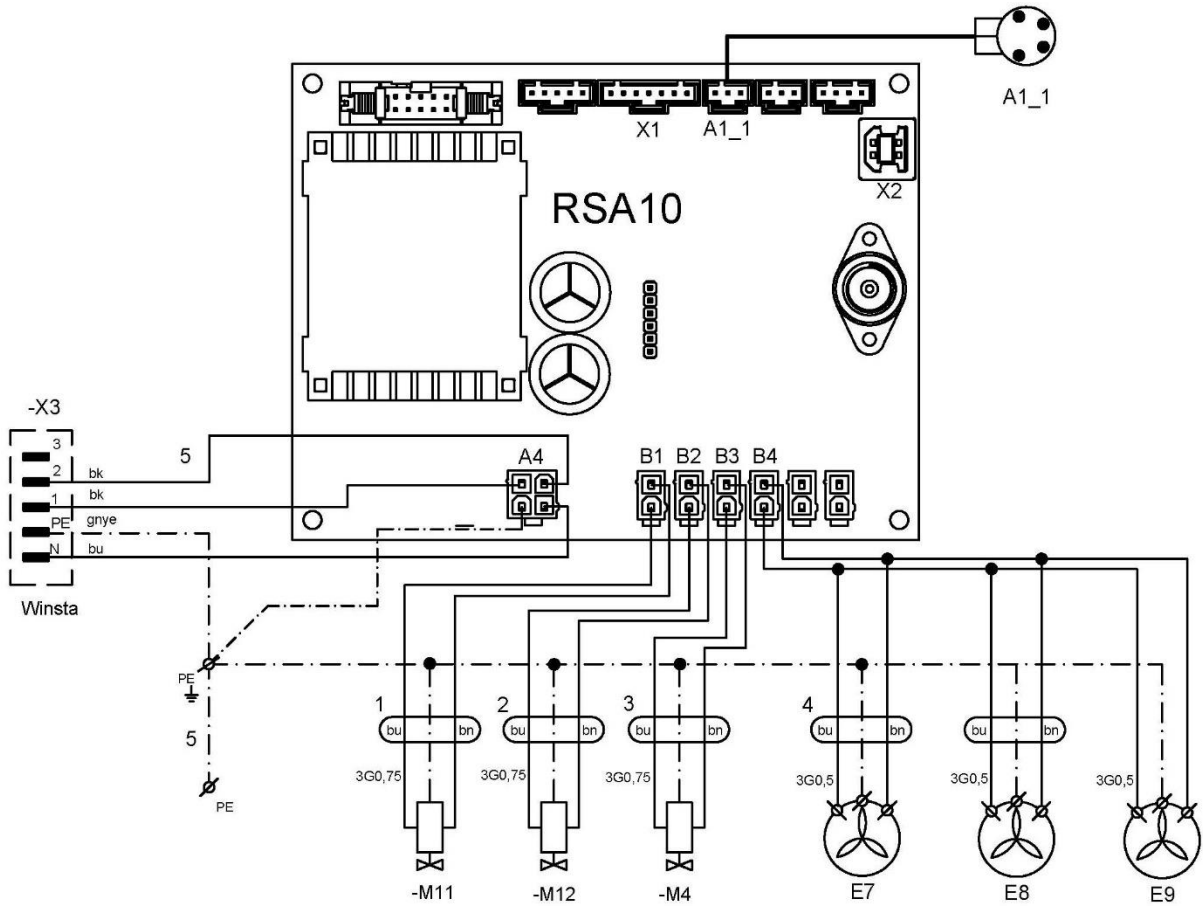
**Hinweis:**

- Der Taupunktsensor (A1_1) ist nicht im Lieferumfang des Trockners enthalten. Wenden Sie sich für weitere Einzelheiten bitte an Ihren Lieferanten.

AD500

1/N/PE ~ 230V, 50Hz / 230V, 60Hz
 ~ 120V, 60Hz

ELEKTRISCHE OBJEKTKLASSE 1



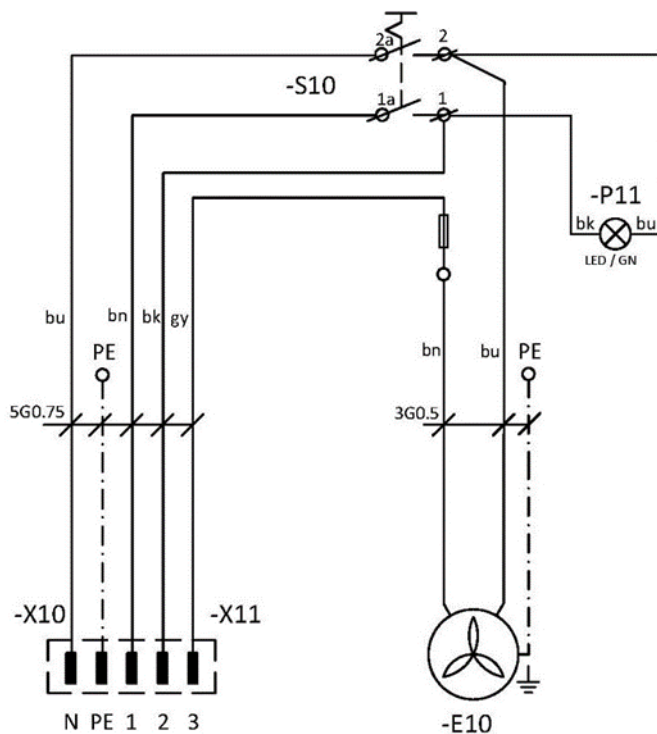
Hinweis:

- Der Taupunktsensor (A1_1) ist nicht im Lieferumfang des Trockners enthalten. Wenden Sie sich für weitere Einzelheiten bitte an Ihren Lieferanten.

Kompressorgehäuse

1/N/E 230 V, 50 Hz

ELEKTRISCHE OBJEKTKLASSE 1



Beschreibung der Elektroschaltpläne:

M1	Kompressormotor	F1	Trennschalter
E1	Kompressorlüfter	S10	Schalter
E7-E9	Trocknerlüfter	P11	Anzeige
E10	Gehäuselüfter	RSA 10	Steuerung
B2	Temperaturschalter	M11, M12	Regenerationsmagnetventil
X10,X11	Stecker	M4	Magnetventil – Entlüftung
B1	Druckschalter	X2, X3	Netzdose
X1	Anschlusskasten	A1_1	Anschluss für Taupunktsensor

BETRIEB

DAS GERÄT DARF NUR DURCH GESCHULTES PERSONAL BEDIENT WERDEN!



Verbrennungs- oder Brandgefahr.

Während des Kompressorbetriebs können die Pumpenteile Temperaturen erreichen, die für den Kontakt mit Personen oder Materialien gefährlich sein können.



Achtung – Kompressor wird automatisch gesteuert.

Automatischer Start. Sinkt der Druck im Druckluftbehälter unter den Einschaltdruck, schaltet sich der Kompressor automatisch ein. Der Kompressor schaltet sich automatisch aus, wenn der Druck im Druckluftbehälter den Abschaltdruck erreicht.



Beschädigungsgefahr für Pneumatikkomponenten.

Die Einstellungen des Arbeitsdrucks für den Druckschalter, die vom Hersteller gemacht wurden, können nicht geändert werden. Läuft der Kompressor bei höheren Betriebsdrücken als dem Einschaltdruck, ist der Druckluftverbrauch zu hoch (siehe Kapitel „Störungen“).



Beschädigungsgefahr für den Trockner.

Wird der Trockner bei höheren Umgebungstemperaturen als der max. zulässigen Betriebstemperatur (wie in den Technischen Daten angegeben) betrieben, kann der Trockner beschädigt werden.



Die erforderliche Trocknungsleistung kann nur erreicht werden, wenn die festgelegten Betriebsbedingungen eingehalten werden.

Die Trocknungsleistung lässt nach und der erreichte Taupunkt sinkt, wenn der Trockner bei einem Druck unterhalb des Mindestarbeitsdrucks betrieben wird.



Bei einem längeren Betrieb des Kompressors steigt die Temperatur in unmittelbarer Nähe des Kompressors auf über 40 °C und der Kühlerlüfter schaltet sich automatisch ein. Wurde die Temperatur auf unter 32 °C abgekühlt, schaltet sich der Lüfterschalter wieder aus.

17. EINSCHALTEN DES KOMPRESSORS

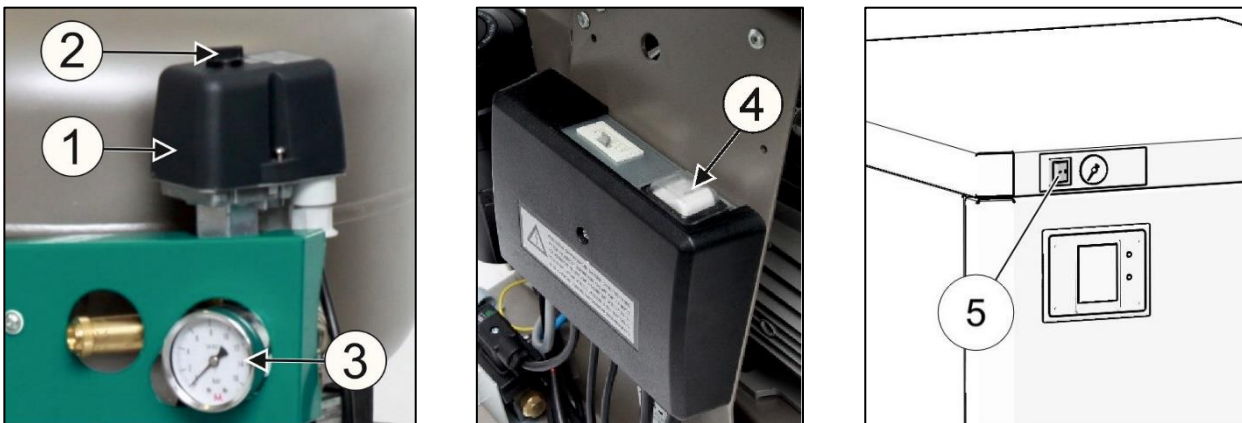
Starten Sie den Kompressor (ohne Gehäuse) am Druckschalter (1), indem Sie den Schalter (2) auf Position „I“ stellen. Dadurch wird der Kompressor gestartet und der Tank bis zum Ausschaltdruck gefüllt, wodurch der Kompressor abgeschaltet wird.

Starten Sie den Kompressor (mit Gehäuse) über den Schalter (5) an der Vorderseite des Gehäuses. Dies startet den Kompressor und füllt den Tank bis zum Ausschaltdruck, was den Kompressor abschaltet.

Der Kompressor läuft im Automatikmodus und wird durch den Druckschalter basierend auf dem Druckluftverbrauch ein- und ausgeschaltet.

Kontrollieren Sie die Werte des Ein- und Ausschaltdrucks mithilfe des Druckmessers (3). Eine Toleranz von $\pm 10\%$ ist akzeptabel. Der Druck im Luftbehälter darf den zulässigen Betriebsdruck nicht überschreiten.

Abb. 17: Einschalten des Kompressor



- **Kompressor** – bei der ersten Inbetriebnahme befüllt der Kompressor den Druckluftbehälter bis zum Abschaltdruck und der Druckschalter schaltet den Kompressor aus. Der Kompressor läuft jetzt im Automatikmodus und wird durch den Druckschalter abhängig vom Druckluftverbrauch ein- und ausgeschaltet.
- Bei laufendem Kompressor läuft die Druckluft durch einen Kühler und einen Trockner, der die Feuchtigkeit aus der Druckluft entzieht.
- Kondensat wird auch durch den Ablass am Trockner ausgeblasen (durch ein Zischen hörbar), wenn der Kompressor abschaltet oder wenn die Trockenkammern wechseln.



Beschädigungsgefahr für Pneumatikteile.

Der Druckschalter (1) wurde durch den Hersteller eingestellt. Eine weitere Einstellung darf nur durch einen qualifizierten Techniker vorgenommen werden, der durch den Hersteller geschult wurde.

18. AUSSCHALTEN DES KOMPRESSORS

- Das Ausschalten des Kompressors für Wartungsarbeiten oder aus anderen Gründen erfolgt über den Druckschalter (1), indem der Schalter (2) auf die Position „0“ (Abb. 17) gestellt und **der Netzstecker aus der Steckdose gezogen wird**. Damit wird der Kompressor von der Netzstromversorgung getrennt.
- Lassen Sie die Druckluft im Druckluftbehälter durch Öffnen des Ablassventils vollständig ab.

AD-TROCKNER

19. FUNKTIONSWEISE

Der Trockner wird vom Kompressordruckschalter über ein Signal gesteuert.

Wenn der Kompressor läuft, strömt die Druckluft in den Kühler, wo sie abgekühlt und ein Teil dieser kondensierten Feuchtigkeit im integrierten Kreislaufabscheider abgetrennt wird. Das Magnetventil V3 befindet sich im Boden des Abscheiders und lässt in regelmäßigen Intervallen das Kondensat aus dem Abscheider ab.

Anschließend strömt Luft in die Kammer des Logikventils OR1, das den Druck misst. Erreicht der Druck in der Ventilkammer nicht $P1 = 3$ bar, bleiben die Regenerationsmagnetventile V1 und V2 (normalerweise geschlossen) geschlossen und die Regeneration wird nicht ausgelöst. Erreicht der Druck in der Kammer des Logikventils Min. 3 bar, wird die Kammerumschaltung nach der in Punkt 19.1 beschriebenen Logik ausgelöst.

Sobald das Signal des Kompressordruckschalters deaktiviert wird, öffnen sich die Regenerationsventile V1 und V2 für einen kurzen Zeitraum, um das Kompressoraggregat zu entlüften und die Trocknerkammer zu belüften.

Die Entlüftung und Regeneration des Trockners erfolgt über den gemeinsamen Schlauch mit dem Ablauf des Kondensatabscheiders. Daher kann der Kondensatablauf nicht direkt an einen Ablauf angeschlossen werden.

19.1. Regeneration des Trockners

Die Regeneration des Trockners wird bei einem Arbeitsdruck von $P1 = 3$ bar ausgelöst. Während der Regeneration werden die Ventile V1 und V2 zyklisch geschaltet, wobei es zum Druckausgleich in den Kammern eine kurze Verzögerung (dT) gibt. Während dieser werden beide Ventile vor jedem Schaltzyklus geschlossen.

In Kammer 1 herrscht Arbeitsdruck und die Kammer befindet sich in der Trocknungsphase, während in Kammer 2 Atmosphärendruck herrscht und sich diese Kammer in der Regenerationsphase befindet. Die Kammer wird durch die durch die Trocknerdüse strömende Luft regeneriert.

19.2. Sparmodus („Energy saving“) (nur für Modelle mit Taupunktsensor)

Bei Trocknern mit Taupunktsensor erfolgt eine zusätzliche Regelung der Spülluft zur Aufrechterhaltung des definierten Taupunkts.

Wird der gewünschte Taupunkt erreicht, wird die Regeneration gestoppt, um die Spülluftmenge zu optimieren. Wird die Regeneration gestoppt, werden die beiden Ventile V1 und V2 geschlossen (wodurch die Kammerspülung mit Trockenluft beendet wird).

Sie wechseln sich gemäß ihrem Standardintervall weiter ab, um die Belastung der Kammern auszugleichen.

Steigt der Taupunkt, wird der Sparmodus („Energy saving“) deaktiviert und der Trockner läuft mit aktivierter Regeneration weiter.

Dauer des deaktivierten Regenerationsmodus

Der Sparmodus („Energy saving“) mit deaktivierter Regeneration ist zeitlich beschränkt. Nach Ablauf eines definierten Intervalls (Wechsel der 4 Kammern) wird ein Zyklus mit der Standardregeneration beider Kammern hinzugefügt.

19.3. Alarmsystem

Alle Gerätealarme werden gemäß EN 60601-1-8 als technische Alarme niedriger Priorität eingestuft. Jeder Alarm wird durch ein entsprechendes optisches Signal (siehe Kapitel 22) angezeigt und das optische Signal blinkt. Wenden Sie sich an einen autorisierten Serviceanbieter,

um die erforderlichen Reparaturen im Falle einer Störung durchzuführen.

Alarmzustände weisen auf einen möglichen Ausfall des Geräts hin. Daher dürfen Alarmsignale nicht deaktiviert werden.

Alle Alarmsignale sind intermittierend – wenn die Alarmursache nicht mehr besteht, werden die Alarmsignale deaktiviert.

Position des Bedieners. Es ist keine bestimmte Position des Bedieners erforderlich. Abhängig von den tatsächlichen Betriebsbedingungen kann der Bediener innerhalb der Reichweite eines visuellen Warnsignals bleiben.

Niedriger Druck. Dieses Signal ist aktiv, wenn der Trocknerdrucksensor einen niedrigen Druck im Trockner unter dem definierten Grenzwert von 3 bar anzeigt. Ein Luftleck am Kompressor/Trockner, eine Fehlfunktion der Steuermagnetventile am Trockner oder ein Softwarefehler können diesen Alarm während des Betriebs auslösen.

Hoher Druck. Dieses Signal ist aktiv, wenn der Trocknerdrucksensor einen Druckanstieg über den oberen Grenzwert misst. Das Aggregat schaltet dann ab und bleibt abgeschaltet, bis der Druck abfällt. Wenn das Aggregat nicht abschaltet, wird der Überdruck durch das Sicherheitsventil am Luftbehälter des Kompressors abgelassen.

Hoher Taupunkt. Dieses Signal ist aktiv, wenn der Taupunktsensor einen hohen Taupunktwert misst.

Ablauf des Wartungsintervalls. Dieses Signal wird aktiviert, bis die Wartung durchgeführt und das Intervall zurückgesetzt oder ein neues Wartungsintervall eingegeben wird.

20. BENUTZEROPERFLÄCHE/-EINSTELLUNGEN

20.1. Bedeutung der Symbole auf der Anzeige

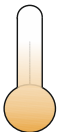


Symbol für das Benutzerhandbuch oder zum Lesen des Benutzerhandbuchs.



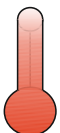
Symbol, das die Umgebungstemperatur (ab 25°C) in Bezug auf den ausgewählten Modus zeigt.

Das Programm stellt die Vorbefüllung der Kammer im jeweiligen Modus ein.



Symbol, das die Umgebungstemperatur (von 25°C bis 30°C) in Bezug auf den ausgewählten Modus zeigt.

Das Programm stellt die Vorbefüllung der Kammer im jeweiligen Modus ein.



Symbol, das die Umgebungstemperatur (über 30°C) in Bezug auf den ausgewählten Modus zeigt.

Das Programm stellt die Vorbefüllung der Kammer im jeweiligen Modus ein.



Zurück zum Hauptmenü auf den 4 Hauptbildschirmen.



Zurück



Symbol für das Wartungsintervall



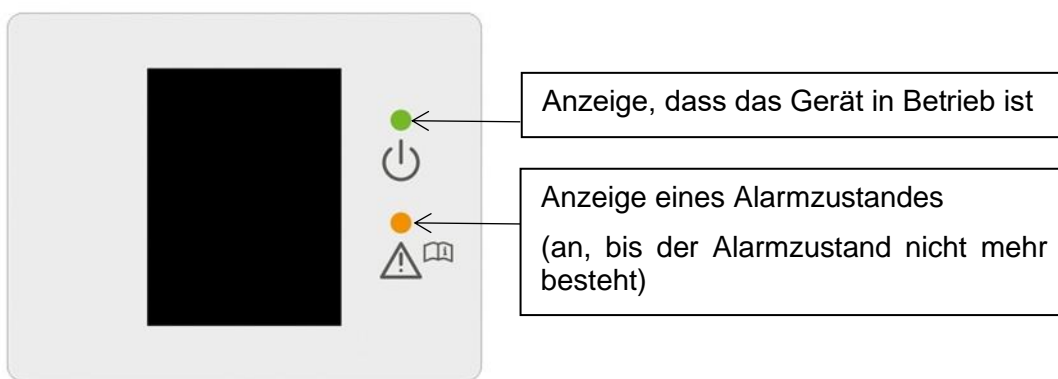
Symbol, wenn sich die Trocknerkammer in der Regeneration befindet



Symbol, wenn die Trocknerkammer trocknet

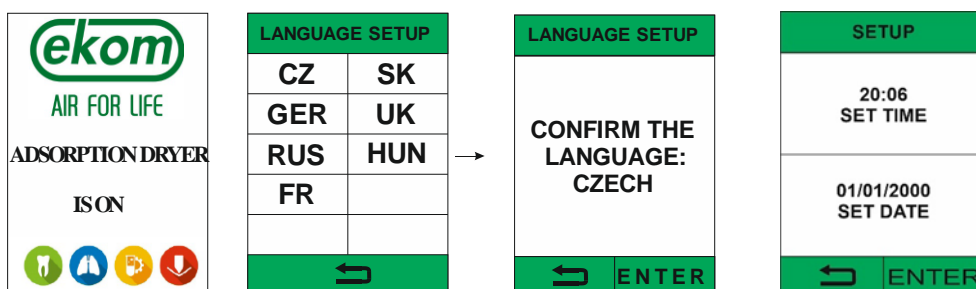


Symbol für die Vorbefüllung der Kammer – Druckausgleich in den Kammern.



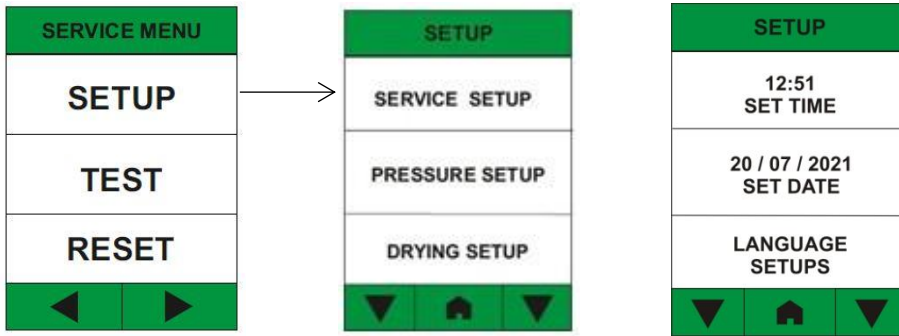
20.2. Ursprüngliche Einstellungen für die Benutzeroberfläche

Beim ersten Start des Programms erscheint die Option, eine Sprache, die Zeit und das Datum auszuwählen. Während der Installation wählt der Servicetechniker die Sprache, die Zeit und das Datum entsprechend dem geografischen Installationsstandort des Trockners aus. Das Programm speichert diese Einstellung und merkt sie sich. Beim Neustart des Programms wird diese Option nicht angezeigt. Mit der Bestätigung dieser Option wird auch der Countdown für die Betriebsstunden gestartet.



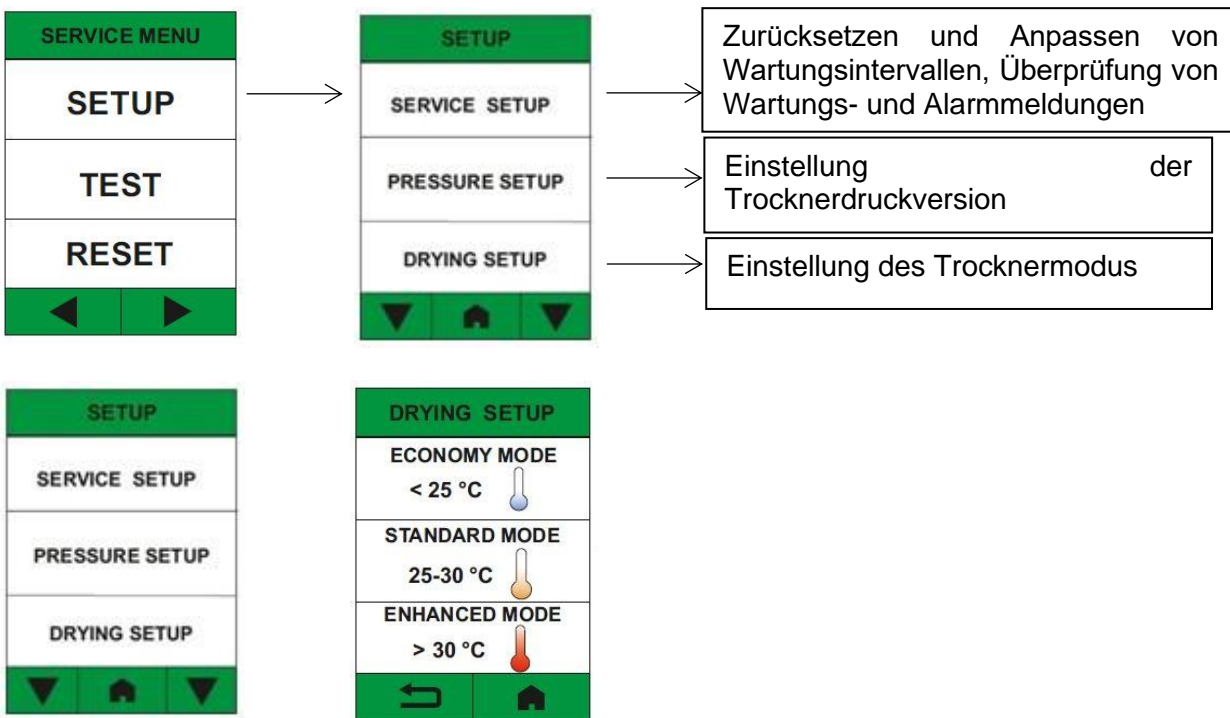
20.3. Einstellen von Datum und Uhrzeit bei der Inbetriebnahme

Es wird empfohlen, Datum und Uhrzeit bei der Inbetriebnahme einzustellen. Diese Einstellungen werden im Wartungsmenü im Abschnitt SETUP geändert. Der Zugriff auf das Wartungsmenü ist durch einen Code (1992) geschützt. Tippen Sie im SETUP auf den Pfeil nach unten, um Datum und Uhrzeit einzustellen. Ebenso kann auch die Sprache der Benutzeroberfläche über LANGUAGE SETUP zurückgesetzt werden.



20.4. Einstellen des Trocknungsmodus bei der Inbetriebnahme

Es wird empfohlen, den Lufttrocknungsmodus bei der Inbetriebnahme einzustellen. Diese Einstellungen werden im Wartungsmenü im Abschnitt SERVICE SETUP geändert. Der Zugang zum Wartungsmenü ist durch einen Code geschützt



Der Trocknungsmodus wird basierend auf dem erwarteten Druckbereich, in dem das Gerät betrieben wird, und der Version des Kompressors (mit oder ohne Schrank) eingestellt.

- Kompressor ohne Schrank $t_0 < 25\text{ °C}$ – auf ECONOMY-Modus gestellt
- Kompressor ohne Schrank $t_0 = 25\text{ °C} - 30\text{ °C}$ – auf STANDARD-Modus gestellt
- Kompressor ohne Schrank $t_0 > 30\text{ °C}$ – auf ENHANCED-Modus gestellt
- Kompressor im Schrank – auf ENHANCED-Modus gestellt

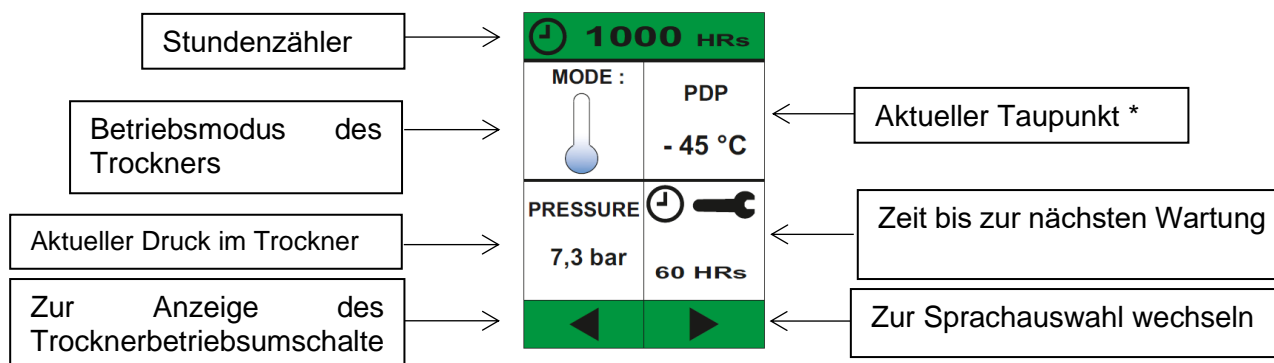
t_0 - Umgebungstemperatur

21. HAUPTBILDSCHIRME

Der Startbildschirm wird geöffnet, sobald die Sprache der Benutzeroberfläche und der Trocknungsmodus eingestellt sind. Vom Startbildschirm aus kann auf vier Hauptbildschirme zugegriffen werden. Mit den Pfeilen am unteren Bildschirmrand kann zwischen den einzelnen

Bildschirmen navigiert werden.

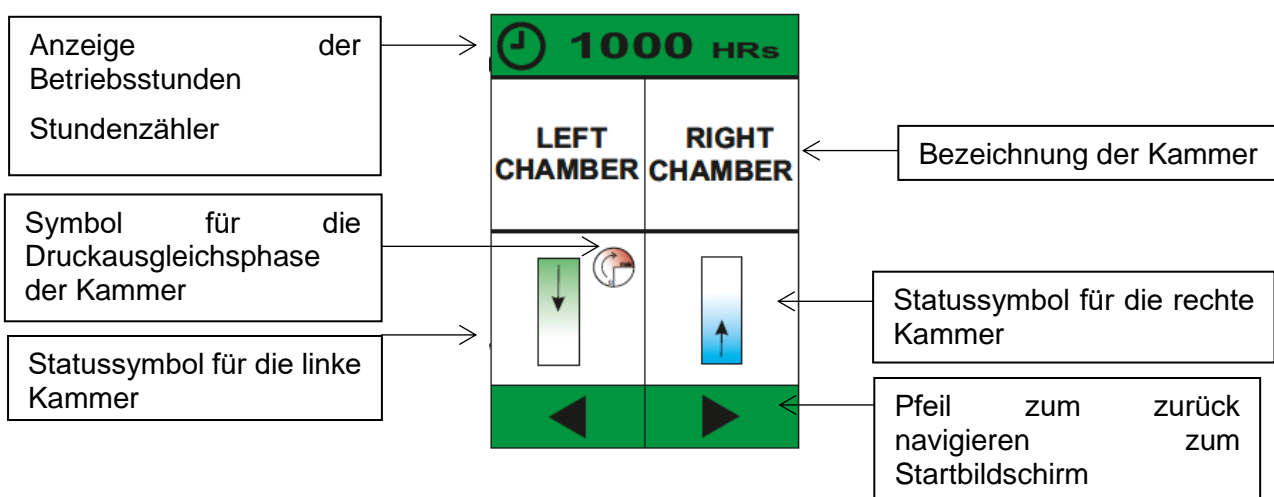
21.1. Hauptbildschirm



(*diese Information wird nur bei Kompressoren angezeigt, die mit einem Taupunktsensor ausgestattet sind)

- Auf dem Startbildschirm des Trockners werden allgemeine Informationen und gemessene Parameter angezeigt. Die Anzeige der Betriebsstunden des Trockners befindet sich oben auf dem Bildschirm. Der Startbildschirm hat 4 Hauptkacheln mit den folgenden Informationen:
- Betriebsmodus des Trockners (siehe Kapitel 20.1)
- Aktueller Druck im Trockner (der minimale Betriebsdruck zur Aktivierung der Trocknerregeneration ist 3 bar)
- Aktueller Drucktaupunktwert (nur für Kompressoren, die mit Taupunktsensoren ausgestattet sind)
- Verbleibende Zeit bis zum nächsten Wartungsintervall (siehe Kapitel 22.1, 22.2 – Wartungsintervalle).

21.2. Betriebsbildschirm des Trockners



Die Anzeige der Betriebsstunden des Trockners befindet sich oben auf dem Bildschirm. Der Betriebsbildschirm des Trockners ist auch in 4 Kacheln unterteilt. Diese zeigen die Arbeitszyklen der Trocknerkammern anhand einer grafischen Darstellung der Betriebszustände der einzelnen Kammern.



Symbol, wenn sich die Trocknerkammer in der Regeneration befindet



Symbol, wenn die Trocknerkammer trocknet



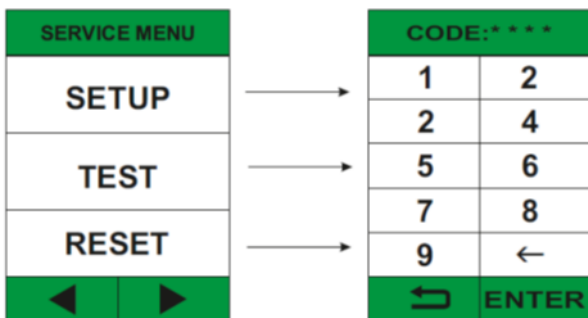
Symbol für die Vorbefüllung der Kammer – Druckausgleich in Kammern.

21.3. Bildschirm für Spracheinstellungen



Der Bildschirm für die Spracheinstellungen ist einer der Hauptbildschirme.

21.4. Bildschirm für Wartungsmenü



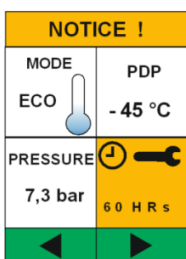
Das Wartungsmenü ist ausschließlich für das Wartungspersonal bestimmt. Der Zugriff auf die einzelnen Menüpunkte ist durch ein Passwort (1992) geschützt.

22. ANZEIGE DER WARTUNGS- UND ALARMZUSTÄNDE

Mit der Steuerung des Adsorptionstrockners können ausgewählte Parameter (Druck und Drucktaupunkt in Trockner-Ausführungen mit einem Taupunktsensor) gemessen und die allgemeinen Betriebszustände des Trockners ermittelt werden.

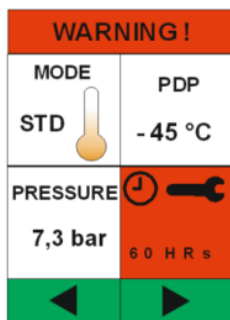
Die Steuerung zeigt anhand der gemessenen Parameter und der Wartungsdaten Informationen zu Fehlern mit den folgenden Meldungen und Warnungen an.

22.1. Meldung – Anstehendes Wartungsintervall



- 100 Betriebsstunden vor dem nächsten Wartungsintervall **wird eine gelbe Meldung angezeigt „Hinweis!“ („Notice!“)**. Die **Wartungskachel leuchtet ebenfalls orange auf.**
- **Die verbleibenden Stunden bis zum nächsten Wartungsintervall werden ebenfalls angezeigt.**
- **Die Warnung wird angezeigt, bis die Wartung ausgeführt und das Wartungsintervall zurückgesetzt wurde.**

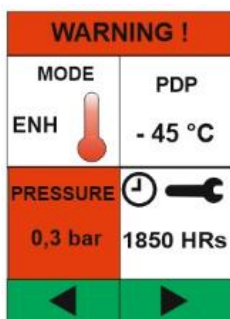
22.2. Warnung – Wartungsintervall überschritten



- Nach Ablauf des Wartungsintervalls wird eine rote Warnung angezeigt „Warnung!“ („Warning!“). Die Wartungskachel leuchtet ebenfalls rot auf.
- Die Warnung wird angezeigt, bis die Wartung ausgeführt und das Wartungsintervall zurückgesetzt wurde.
- Die Stunden bis zum nächsten Wartungsintervall werden ebenfalls angezeigt.
- Eine Liste der Warnungen wird im „Warnungsprotokoll“ („Warning log“) gespeichert
- Der Trockner arbeitet normal weiter.

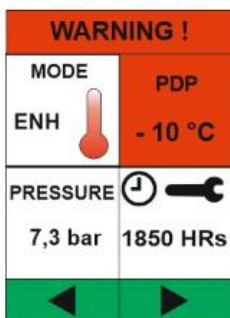
22.3. Alarmzustände

Niedriger/Hoher Druck



- Wird ein niedriger Druck (<3 bar) oder ein hoher Druck (> 8,5 bar bzw. > 10,5 bar je nach Druckausführung) erkannt, wird eine rote Warnung angezeigt „Warnung!“ („Warning!“). Gleichzeitig leuchtet die aktuelle Druckkachel rot auf.
- Die Warnung wird für die gesamte Dauer des Alarmzustands angezeigt.
- Eine Liste der Warnungen wird im „Warnungsprotokoll“ („Warning log“) gespeichert
- Der Trockner arbeitet nicht normal, die Regeneration wird nicht eingeleitet, der Kompressor muss abgeschaltet werden.

Hoher Taupunkt



- Diese Warnung ist nur bei Trocknern mit Taupunktsensoren verfügbar.
- Eine rote Warnung wird angezeigt „Warnung!“ („Warning!“), wenn ein hoher Taupunkt (> -20 °C bzw. > -40 °C je nach Ausführung des Trockners) erkannt wird. Gleichzeitig leuchtet die aktuelle Drucktaupunkt-Kachel rot auf.
- Die Warnung wird für die gesamte Dauer des Alarmzustands angezeigt.
- Eine Liste der Warnungen wird im „Warnungsprotokoll“ („Warning log“) gespeichert
- Der Trockner funktioniert nicht richtig oder wird außerhalb der empfohlenen Einsatzbedingungen verwendet, der Kompressor muss abgeschaltet werden.



Wenn das Gerät zum ersten Mal in Betrieb genommen wird, kann ein Alarm für hohen Taupunkt erscheinen. Der Alarm bleibt, bis sich der Trockner regeneriert. Die Regenerationszeit des Trockners hängt von vielen Parametern der Verwendung des Geräts ab. Die Regeneration des Trockners sollte nicht länger als 24 Betriebsstunden des Trockners dauern. Wenn der Trockner den Taupunkt-Sollwert während der ersten 24 Stunden nicht erreichen kann, wenden Sie sich bitte an das Servicepersonal.

22.4. Bildschirm „Wartungsdienst anrufen“ („Call Service“)



- Der Bildschirm „Wartungsdienst anrufen“ („Call Service“) wird abwechselnd mit dem Hauptbildschirm angezeigt, wenn eine Benachrichtigung oder Warnung erscheint.

PRODUKTWARTUNG**23. PRODUKTWARTUNG**

Der Bediener muss die Geräte in den vorgeschriebenen Intervallen kontrollieren. Die Prüfergebnisse müssen aufgezeichnet werden.

Das Gerät wurde so konstruiert und hergestellt, dass nur eine minimale Wartung nötig ist. Die folgenden Arbeiten sind auszuführen, damit eine korrekte und zuverlässige Funktion des Kompressors gewährleistet ist.



Gefahr – unzulässige Arbeiten!

Reparaturarbeiten außerhalb des Rahmenwerks der normalen Wartung (siehe Kapitel 23.1) dürfen nur von einem qualifizierten Techniker (ein durch den Hersteller autorisiertes Unternehmen) oder vom Kundendienst des Herstellers ausgeführt werden.

Normale Wartungsarbeiten (siehe Kapitel 23.1) dürfen nur durch einen geschulten Bediener ausgeführt werden.

Verwenden Sie nur Ersatzteile, die vom Hersteller genehmigt wurden.



Gefahr von Verletzungen oder Beschädigung der Gerätschaft!

Vor Beginn der Wartung am Kompressor sind folgende Arbeiten auszuführen:

- **Überprüfen Sie, ob es möglich ist, den Kompressor von der Anlage zu trennen, um mögliche Verletzungen der Person zu verhindern, die die Anlage verwendet, bzw. um Sachschäden zu vermeiden.**
- **Schalten Sie den Kompressor aus.**
- **Trennen sie ihn vom Stromnetz (Netzstecker aus der Steckdose ziehen).**
- **Lassen Sie die Druckluft aus dem Druckluftbehälter ab.**



Das Ablassen von Druckluft stellt eine Verletzungsgefahr dar.

Tragen Sie einen Augenschutz, d. h. eine Schutzbrille, wenn Sie Druckluft aus dem Druckluftkreislauf (Luftbehälter).



Verbrennungsrisiko.

Pumpenkomponenten (Köpfe, Zylinder, Druckluftschlauch) sind während des Kompressorbetriebs und direkt danach sehr heiß – Komponenten nicht berühren!

Lassen Sie das Gerät vor Beginn von Wartungs- oder Servicearbeiten oder vor dem Anschließen an/Trennen von Druckluft abkühlen.



Der während der Servicearbeiten ausgebaute Erdungsleiter muss nach Beendigung der Arbeiten wieder in seine ursprüngliche Position gebracht werden.

- Für Wartungs- oder Reparaturarbeiten kann der Kompressor aus dem Gehäuse herausgezogen werden (auf Lenkrollen und so weit, wie es das Kabel zwischen Kompressor und Schrank erlaubt; siehe auch Kap. 23). Danach können die erforderlichen Wartungs- oder Reparaturarbeiten durchgeführt werden.
- Löst sich das Kabel zwischen Kompressor und Gehäuse (durch Ziehen des Netzsteckers, siehe Kap.13.2), funktioniert der Kompressor nicht mehr. Um den Kompressor wieder in Betrieb zu nehmen, befolgen Sie bitte die Anweisungen aus Kap. 13.2. oder 23.10 oder 0.

23.1. Wartungsintervalle

Zeitintervall ^{b)}	50 Hz		60 Hz		Einmal täglich	Einmal wöchentlich	Einmal jährlich	Alle 2 Jahre	Kap.								Ersatzteil-Kit	Ausgeführt durch		
	4000 Std.	6000 Std.	8000 Std.	10000 Std.					12000 Std.	16000 Std.	20000 Std.	24000 Std.	4000 Std.	6400 Std.	8000 Std.	9600 Std.			12800 Std.	16000 Std.
Produktbetrieb überprüfen					x													23.2	-	Bediener
Produktfunktion überprüfen						x												9	-	Bediener
Auf Undichtigkeiten an den Druckluftanschlüssen überprüfen und Geräteinspektion							x											23.3	-	Qualifizierter Techniker
Elektrischen Anschluss überprüfen							x											23.4	-	Qualifizierter Techniker
Lüfter und Kühler überprüfen							x											23.8	-	Qualifizierter Techniker
Sicherheitsventil überprüfen							x											23.6	-	Qualifizierter Techniker
Austausch des Ansaugfilters und Vorfilters ^{a)}																				025200139-000
																				025200150-000

^{a)} Daten werden in Stunden angegeben; falls nicht möglich, werden die Daten in Jahren angegeben.

^{b)} Das Zeitintervall reduziert sich um 20 % für die Kompressormodelle mit 60 Hz

(2000 Std./1600 Std., 4000 Std./3200 Std., 6000 Std./4800 Std., 8000 Std./6400 Std., 10000 Std./8000 Std., 12000 Std./9600 Std.)

^{c)} Je nachdem, was zuerst eintritt: 4 Jahre/8.000 Stunden.

^{d)} Je nachdem, was zuerst eintritt: 8 Jahre/20.000 Stunden.

Zeitintervall ^{b)}	50 Hz		60 Hz		Einmal täglich	Einmal wöchentlich	Einmal jährlich	Alle 2 Jahre	Kap.								Ersatzteil-Kit	Ausgeführt durch
	4000 Std.	3200 Std.	6000 Std.	4800 Std.					8000 Std.	10000 Std.	12000 Std.	16000 Std.	20000 Std.	24000 Std.	23	siehe Wartungshandbuch		
Führen Sie eine „Wiederholungsprüfung“ nach EN 62353 aus							x										-	Qualifizierter Techniker
Wechsel der Kassetten mit Adsorptionsmittel ^{c)}					x								x				603022476-000	Qualifizierter Techniker
Wechsel des logischen Kugelventils des Trockners																	069000317-000	Qualifizierter Techniker
Wechsel des Magnetventils des Trockners ^{d)}																	025300117-000	Qualifizierter Techniker
Taupunktsensorkalibrierung							x										-	Qualifizierter Techniker

^{a)} Daten werden in Stunden angegeben; falls nicht möglich, werden die Daten in Jahren angegeben.

^{b)} Das Zeitintervall reduziert sich um 20 % für die Kompressormodelle mit 60 Hz (2000 Std./1600 Std., 4000 Std./3200 Std., 6000 Std./4800 Std., 8000 Std./6400 Std., 10000 Std./8000 Std., 12000 Std./9600 Std.)

^{c)} Je nachdem, was zuerst eintritt: 4 Jahre/8.000 Stunden.

^{d)} Je nachdem, was zuerst eintritt: 8 Jahre/20.000 Stunden.

23.2. Produktbetrieb überprüfen

- Pumpenzustand prüfen – die Pumpen müssen normal, ohne übermäßige Schwingung oder Geräuschentwicklung laufen. Suchen Sie bei negativen Prüfergebnissen die Ursache dafür oder rufen Sie einen Servicetechniker.
- Kontrollieren Sie die Lüfterfunktion (visuell) – die Lüfter müssen bei Pumpenbetrieb laufen. Suchen Sie bei negativen Prüfergebnissen nach der Ursache dafür oder rufen Sie einen Servicetechniker.
- Überprüfen Sie das Netzkabel und die Druckluftschläuche auf Unversehrtheit. Ersetzen Sie die beschädigten Teile oder rufen Sie einen Servicetechniker.
- Überprüfen Sie die Umgebungstemperatur – die Umgebungstemperatur muss unter der Temperaturobergrenze (40 °C) liegen. Ist die Temperatur höher, verbessern Sie die Kühlung im Raum.
- Öffnen Sie den Stopfen am Kondensatsammelbehälter und lassen Sie das Kondensat ab.

23.3. Auf Undichtigkeiten an den Druckluftanschlüssen überprüfen und Geräteinspektion

Dichtigkeitsprüfung

- Überprüfen Sie die Druckluftanschlüsse des Kompressors, wenn der Kompressor in Betrieb ist – Druckaufbau.
- Verwenden Sie ein Lecksuchgerät oder Seifenwasser, um alle Verbindungen auf Undichtigkeiten zu überprüfen. Verbindungen, an denen Undichtigkeiten festgestellt wurden, müssen festgezogen oder gelockert werden.

Geräteprüfung

- Überprüfen Sie den Zustand der Kompressorpumpe – reibungsloser Betrieb, angemessener Geräuschpegel.
- Überprüfen Sie die Lüfterfunktion – die Lüfter müssen in den festgelegten Zyklen des Kompressorbetriebs laufen.
- Überprüfen Sie die Funktion des Temperaturschalters (B2) – erwärmen Sie den Temperaturschalter auf mehr als 40 °C (z. B. mithilfe einer Heißluftpistole – Achtung, nicht bei hohen Temperaturen an Kunststoffteilen in der Nähe bedienen, dies kann zur Verformung von Kunststoffteilen führen). Der Lüfter E1 schaltet ein, wenn die Temperatur 40 °C erreicht – der Kompressor muss unter Spannung stehen.
- Überprüfen Sie den Filterzustand – die Filter müssen unbeschädigt und ausreichend sauber sein.
- Überprüfen Sie den Zustand der Pumpe selbst und achten Sie darauf, dass weder Verschmutzungen noch Spiel im Kurbelwellengehäuse vorhanden sind.
- Ersetzen Sie bei Ausfällen alle defekten Teile.

23.4. Elektrische Anschlüsse überprüfen



Stromschlaggefahr.

Überprüfen Sie die elektrischen Anschlüsse am Gerät, nachdem dieses vom Netzstrom getrennt wurde.

- Überprüfen Sie die mechanische Funktion des Netzschalters.
- Überprüfen Sie das Netzkabel und die Stromleiter auf Unversehrtheit.

- Überprüfen Sie, ob die Kabel am Anschlusskasten angeschlossen sind (Sichtprüfung).
- Überprüfen Sie alle Schraubverbindungen der grün-gelben PE-Erdungsleiter.
- Überprüfung der elektrischen Anschlüsse am AD-Trockner – siehe Wartungshandbuch.

23.5. Kondensatablauf



Bei einem Behälterüberlauf besteht Rutschgefahr auf nassem Boden.

Entleeren Sie regelmäßig den Kondensatauffangbehälter.



Verletzungsgefahr.

Verbinden Sie den Kondensatablauf nicht direkt mit einem Abfluss!

Passanten können verletzt werden.



Schalten Sie den Kompressor vor jedem Entleeren des Behälters aus!



Verletzungsgefahr.

Öffnen Sie vorsichtig und langsam das Ablassventil. Das schnelle Öffnen des Ablassventils wird von einem lauten Geräusch und einem unkontrollierten Ausstoßen des angesammelten Kondensats begleitet.

Das Kondensat aus Kompressoren mit Lufttrocknern wird automatisch in einen Behälter für das Sammeln von Kondensat abgelassen.

- Überwachen Sie den Füllstand im Behälter mithilfe der 1-L- oder 2-L-Markierungen (je nach Fassungsvermögen des Behälters) und entleeren Sie den Behälter mindestens einmal täglich.



Abb. 18: Überprüfen des Kondensatauffangbehälter

Bei Bedarf kann der Luftbehälter über das Ablassventil (1) an der Unterseite des Luftbehälters entleert werden (Abb. 19).

Schalten Sie den Kompressor spannungsfrei und reduzieren Sie den Luftdruck im Gerät auf maximal 1 bar, z. B. durch Entlüften der angeschlossenen Geräte.

Verwenden Sie zum Ablassen einen Schlauch, dessen freies Ende in einen geeigneten Behälter gesteckt wird, und öffnen Sie dann das Ventil, um das Kondensat aus dem Tank abzulassen.

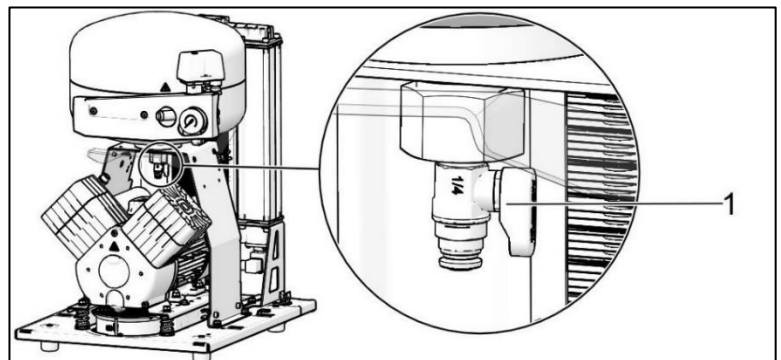


Abb. 19: Kondensatablauf



Folgende Schritte sind vor den nachfolgenden Überprüfungen erforderlich:

- **Entriegeln Sie bei im Gehäuse montierten Kompressoren** - das Türschloss und öffnen Sie die Gehäusetür.

23.6. Sicherheitsventil überprüfen

- Drehen Sie die Schraube (2) am Sicherheitsventil (1) mehrere Umdrehungen nach links, bis das Sicherheitsventil Luft ablässt.
- Das Sicherheitsventil einige Sekunden ausblasen lassen.
- Drehen Sie die Schraube (2) bis zum Anschlag nach rechts. Das Ventil muss jetzt geschlossen sein.

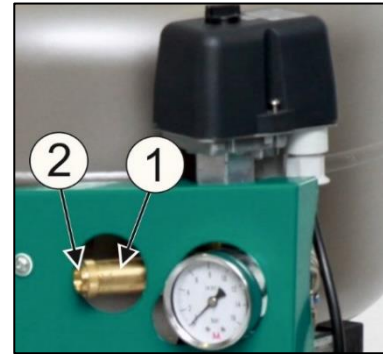


Abb. 20: Sicherheitsventil überprüfen



Bei beschädigtem Sicherheitsventil besteht das Risiko eines Druckanstiegs.

Das Sicherheitsventil darf nicht zum Druckablassen aus dem Druckbehälter genutzt werden. Das könnte die Funktion des Sicherheitsventils schädigen. Das Ventil wurde auf den maximal zulässigen Druck eingestellt, geprüft und gekennzeichnet.

Die Einstellungen des Sicherheitsventils dürfen nicht geändert werden.



Beim Ablassen von Druckluft besteht Verletzungsgefahr.

Schützen Sie Ihre Augen beim Überprüfen des Sicherheitsventils – tragen Sie eine Schutzbrille.

23.7. Austausch des Ansaugfilters und Vorfilters

Der Ansaugfilter (1) befindet sich im Kurbelwellengehäuse des Kompressors.

Austausch des Ansaugfilters:

- Ziehen Sie den Gummistopfen (2) mit der Hand heraus.
- Entfernen Sie den verschmutzten Ansaugfilter (1).
- Setzen Sie einen neuen Filter ein und montieren Sie den Gummistopfen.

Austausch des Vorfilters:

- Ziehen Sie den Vorfilter mit der Hand heraus (3).
- Tauschen Sie das Element aus und setzen Sie es erneut ein.

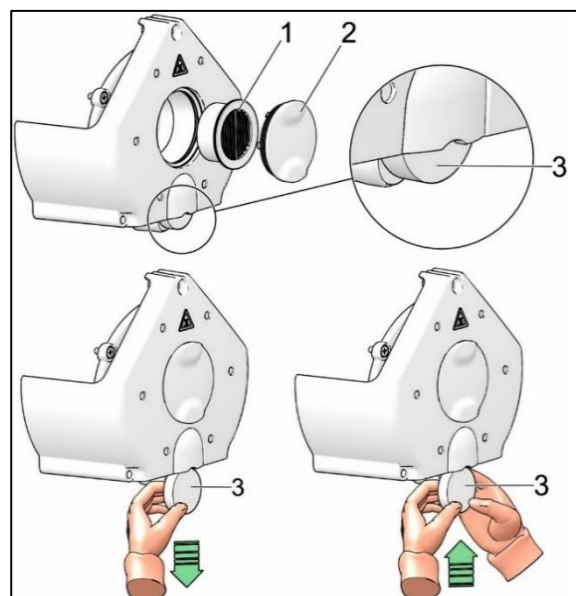


Abb. 21: Austausch des Ansaugfilters und Vorfilters

23.8. Lüfter und Kühler überprüfen

Sind sauber zu halten (siehe Abb. 1) – saugen oder blasen Sie die Kühlrippen und Lüfter mit Druckluft ab, um Staub von der Oberfläche zu entfernen.

23.9. Taupunktsensorkalibrierung

Es wird empfohlen, den Taupunktsensor bei Kompressoren mit diesem Sensor alle 2 Jahre zu kalibrieren. Die Kalibrierung wird vom Hersteller (Vaisala) durchgeführt und muss online bestellt werden.

Bestellvorgang für die Sensorkalibrierung:

- Besuchen Sie die Website *www.vaisala.com*, navigieren Sie zum *Abschnitt Dienste* und wählen Sie *Kalibrierungs- und Reparaturdienste*.
- Geben Sie dann den Sensortyp (Sensortyp: **DMT143**) ein, wählen Sie einen Kalibriertyp aus und folgen Sie den Anweisungen.

23.10. Vorgehensweise zum Anschließen eines vom Schaltschrank getrennten Kompressors



Vor jeder Wartungs- oder Reparaturarbeit ist der Kompressor auszuschalten und durch Ziehen des Netzsteckers vom Stromnetz zu trennen.

Es ist notwendig, dass bei einem Kompressor (ohne Gehäuse) der Jumper immer an die Klemmleiste montiert wird, damit der ordnungsgemäße Betrieb gewährleistet ist (Abb. 22, Pos. B). Dies ersetzt dann den Schalter am Gehäuse.



Befindet sich kein Jumper auf der Klemmleiste, funktioniert der Kompressor nicht!

Löst sich das Kabel zwischen Kompressor und Gehäuse (durch Ziehen des Netzsteckers) und wird der Kompressor aus dem Gehäuse entfernt, funktioniert der Kompressor nicht mehr. Aus diesem Grund muss zunächst eine Verbindung zur Klemmleiste mit einem Jumper hergestellt werden (dies ersetzt die Funktion des Trennschalters; Abb. 22).

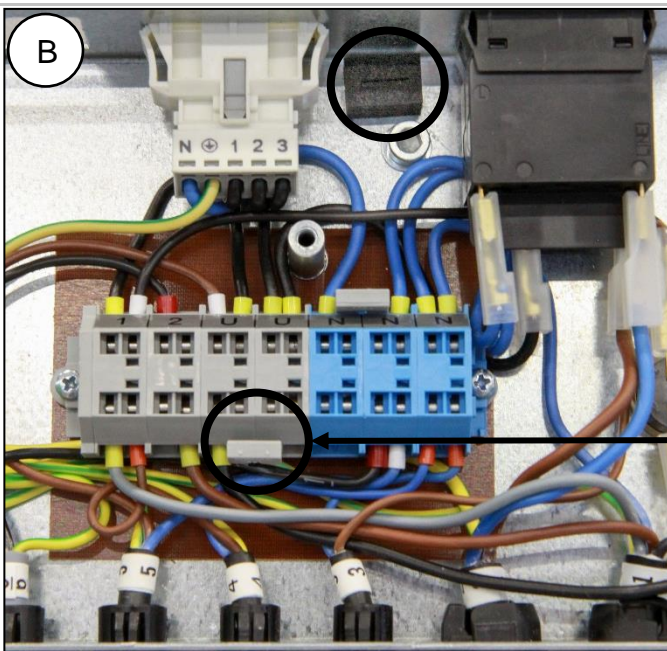
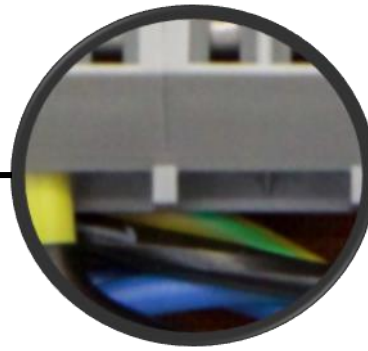
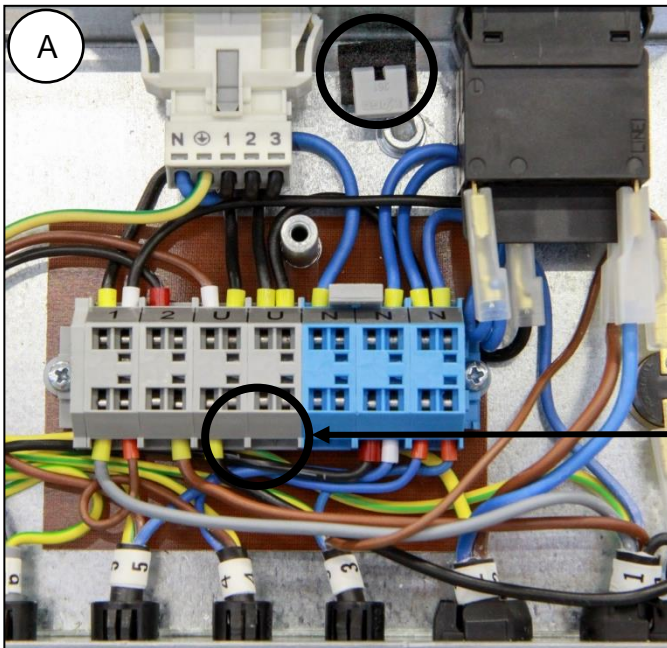
PROZESS:

Jumper-Installation (A-B Prozess):

- Trennen Sie das Gerät vom Stromnetz, indem Sie den Stecker aus der Steckdose ziehen.
- Entfernen Sie die Abdeckung von der Schalttafel (des Kompressors).
- Der Jumper befindet sich nicht auf der Klemmleiste – A
- Setzen Sie den Jumper in die Klemmleiste ein – B
- Bringen Sie die Abdeckung der Schalttafel wieder an.
- Schließen Sie das Gerät an das Stromnetz an.
- Aktivieren Sie den Kompressor, indem Sie den Schalter auf dem Druckschalter einschalten.

Kompressor – Bei einem Betrieb außerhalb des Schaltschranks muss die elektrische Verbindung mithilfe eines Jumpers hergestellt werden. (Abb. 22, Pos. B)

Abb. 22



230V

23.11. Vorgehensweise zum Anschließen eines Kompressors an einen neuen Schaltschrank



Vor jeder Wartungs- oder Reparaturarbeit ist der Kompressor auszuschalten und durch Ziehen des Netzsteckers vom Stromnetz zu trennen.

Es ist notwendig, dass bei einem Kompressor (mit Gehäuse) der Jumper nicht an die Klemmleiste montiert wird, damit der ordnungsgemäße Betrieb gewährleistet ist (Abb. 22, Pos. A). Der Schalter am Gehäuse schaltet das gesamte Gerät (einschließlich des Kompressors) ein und aus.



Wird der Jumper nicht von der Klemmleiste gelöst, funktioniert der Schalter am Kompressorgehäuse nicht!

Wenn ein neuer Schaltschrank an einen Kompressor angeschlossen werden soll, der zuvor separat gearbeitet hat (Kompressor ohne Gehäuse), muss die Verbindung auf der Klemmleiste unterbrochen werden; mehr zur konkreten Vorgehensweise erfahren Sie weiter unten (Abb. 22). (Siehe auch Kap. 13.1 und 13.2)

PROZESS:

Entfernen des Jumpers (B-A Prozess):

- Trennen Sie das Gerät vom Stromnetz, indem Sie den Stecker aus der Steckdose ziehen.
- Entfernen Sie die Abdeckung von der Schalttafel (des Kompressors).
- Der Jumper befindet sich auf der Klemmleiste – B
- Entfernen Sie den Jumper von der Klemmleiste – A
- Bringen Sie die Abdeckung der Schalttafel wieder an.
- Setzen Sie den Kompressor in das Gehäuse ein.
- Verbinden Sie den Schaltschrank mit dem Kompressor, indem Sie den Stecker (1) des Netzkabels in die Steckdose (2) stecken. (Abb. 11)
- Trennen Sie das Display am AD-Trockner und schließen Sie das Display an der Vordertür an den Schrank an (siehe Wartungshandbuch).
- Schließen Sie das Gerät an das Stromnetz an
- Aktivieren Sie den Kompressor, indem Sie den Schalter (2) auf dem Druckschalter (1) und den Schalter (5) am Gehäuse einschalten (Abb. 17).

Kompressor mit Gehäuse – Beim Betrieb in einem Schaltschrank **darf keinerlei** elektrischer Anschluss vorhanden sein.

Hinweis: **Ein Jumper, der nicht auf der Klemmleiste installiert wurde, sollte, wenn ein Kompressor ohne Gehäuse verwendet wird oder wenn Wartungsarbeiten durchgeführt werden, in einer Tasche in der Schalttafel aufbewahrt werden.**

23.12. Reinigung von Produktaußenflächen

Zur Reinigung der Produktaußenflächen nur neutrale Mittel benutzen.



Anwendung von Alkohol und Chlorid enthaltenden aggressiven Reinigungsmitteln kann zur Produktoberflächenbeschädigungen und zur deren Verfärbung führen.

24. LANGFRISTIGE AUßERBETRIEBNAHME

Wird der Kompressor längere Zeit nicht genutzt, ist es empfehlenswert, das Kondensat aus dem Druckluftbehälter abzulassen und den Kompressor dann für 10 Minuten mit geöffnetem Kondensatablassventil laufen zu lassen. Schalten Sie den Kompressor anschließend durch Betätigung des Schalters (2) auf dem Druckschalter (1) (Abb. 17) aus, schließen Sie das Ablassventil und trennen Sie das Gerät vom Stromnetz.

25. ENTSORGUNG DES GERÄTS

- Trennen Sie das Gerät von der Stromversorgung.
- Lassen Sie die Druckluft durch Öffnen des Ablassventils aus dem Druckluftbehälter ab.
- Entsorgen Sie das Gerät gemäß den relevanten örtlichen Vorschriften.
- Beauftragen Sie ein entsprechendes Fachunternehmen mit der Abfalltrennung und -entsorgung.
- Die Produktkomponenten haben nach Ende ihrer Verwendungsdauer keine schädlichen Auswirkungen auf die Umwelt

FEHLERBEHEBUNG



Stromschlaggefahr

Trennen Sie das Gerät von der Stromversorgung (Netzstecker ziehen), bevor Sie eine der folgenden Arbeiten am Gerät ausführen.



Bei Arbeiten an den Druckluftkomponenten unter Druck besteht Verletzungsgefahr.

Bevor Sie eine der folgenden Arbeiten am Gerät ausführen, reduzieren Sie den Druck im Druckluftbehälter und im Pneumatiksystem auf null.



Alle Arbeiten, um Fehler und Störungen zu beheben, dürfen nur durch einen qualifizierten Techniker ausgeführt werden.

Störung	Mögliche Ursache	Lösung
Kompressor schaltet nicht ein	Keine Spannung am Druckschalter	Spannung an der Steckdose überprüfen
		Trennschalter überprüfen – Auf die Position EIN „I“ stellen
		Lose Klemme an der Klemmleiste – festziehen
		Stromkabel überprüfen – defektes Kabel ersetzen
	Unterbrechung der Motorwicklung, Wärmeschutz beschädigt	Motor oder Wicklungen ersetzen
Der Gehäuseschalter schaltet den Kompressor nicht aus	Kondensator defekt	Kondensator wechseln
	Festsitzen des Kolbens oder eines anderen rotierenden Teils	Beschädigte Komponenten auswechseln
	Der Druckschalter funktioniert nicht	Funktion des Druckschalters überprüfen
	Im Schaltschrank befindet sich ein Kompressor, der zuvor separat gearbeitet hat (auf der Klemmleiste des Kompressors befindet sich ein Jumper).	Entfernen Sie den Jumper von der Klemmleiste, siehe Kap. 0
	Kompressor schaltet häufig ein	Luftaustritt im Pneumatiksystem
Undichtes Rückschlagventil		Rückschlagventil reinigen, Dichtungen austauschen, Rückschlagventil austauschen
Hohe Mengen kondensierter Flüssigkeit im Druckluftbehälter		Kondensierte Flüssigkeit ablassen
Niedrige Kompressorkapazität		Befüllungszeit des Druckluftbehälters überprüfen
Niedriger Druck im Druckluftbehälter (Kompressor läuft durchgängig)	Hoher Druckluftverbrauch des versorgten Systems	Druckluftverbrauch senken Kompressor mit höherer Kapazität verwenden
	Luftaustritt im Pneumatiksystem	Pneumatiksystem überprüfen – lose Verbindungen festziehen
	Niedrige Pumpenkapazität	Pumpe reinigen oder austauschen
	Pumpenstörung	Pumpe reinigen oder austauschen
	Trocknerstörung	Trockner austauschen
Betrieb des	Luftaustritt im Pneumatiksystem	Pneumatiksystem überprüfen – lose

Kompressors über einen längeren Zeitraum		Verbindungen festziehen
	Kolbenring verschlissen	Verschlissenen Kolbenring ersetzen
	Ansaugfilter verschmutzt	Verschmutzten Filter durch neuen Filter ersetzen
	Falsche Funktion des Magnetventils	Lüfter oder Spule reparieren oder austauschen
Kompressor ist laut (Klopfen, Metallgeräusche)	Schäden an Kolbenlager, Kolbenstange, Motorlager	Beschädigtes Lager ersetzen
	Loses (beschädigtes) Dämpferelement (Feder)	Beschädigte Feder auswechseln
Trockner trocknet nicht (Kondenswasser in der Luft)*	Kühlerlüfter defekt	Lüfter austauschen Stromquelle kontrollieren
	Beschädigter Trockner	Trockner austauschen
	Automatischer Kondensatablauf defekt	Reinigen/Austauschen
Verschlechterte Trocknungsleistung – Taupunkt bei hohem Druck (Kondenswasser in der Luft) Verschlechterte Trocknungsleistung – Taupunkt bei hohem Druck (Kondenswasser in der Luft)	Niedriger Betriebsdruck	Reduzieren Sie den Luftbedarf, prüfen Sie die Leistung der Druckluftquelle, beheben Sie mögliche Leckagen in Verteilersystem.
	Die Regeneration des Magnetventils funktioniert nicht. Luftaufbereitungsdüse verstopft	Spulenfunktion überprüfen, bei Bedarf reparieren Düse reinigen oder austauschen (Siehe Produktwartung)
	Kühlerlüfter funktioniert nicht	Stromquelle zum Lüfter überprüfen Beschädigten Lüfter auswechseln
	Kühler verschmutzt	Den Kühler überprüfen und bei Bedarf reinigen
	Schalldämpfer am Ausgang zum Regenerationsventil verstopft	Schalldämpfer überprüfen Reinigen oder ersetzen Sie den Schalldämpfer, wenn der Strömungswiderstand zu hoch ist oder eine starke Verschmutzung vorliegt.
	Niedriger Betriebsdruck	Reduzieren Sie den Luftbedarf, prüfen Sie die Leistung der Druckluftquelle, beheben Sie mögliche Leckagen in Verteilersystem.
Trockner ist sehr laut	Lüfter beschädigt	Beschädigten Lüfter auswechseln
	Schalldämpfer beschädigt	Den Schalldämpfer ersetzen
Luft entweicht durch das Ablassventil am Trocknereingang.	Luft entweicht durch das Ablassventil am Trocknereingang	Alle Anschlüsse und Verbindungen des Trockners (auch an den Strom) prüfen, Trocknerbetrieb prüfen, den Arbeitsdruck des Trockners prüfen und defekte Teile ersetzen
	Kompressor läuft bei hohem Betriebsdruck	Betriebsdruckeinstellung des Kompressors überprüfen
	Magnetventil am Trocknereingang funktioniert nicht	Spulenfunktion überprüfen, bei Bedarf reparieren Überprüfen Sie den Zustand des Ventils. Reinigen oder ersetzen Sie das Ventil, wenn das Problem weiterhin besteht.
	Hoher Druck im Gerät aufgrund von verstopften Filtern	Überprüfen Sie die internen Filter und die Zubehör-Filterbaugruppen. Reinigen oder ersetzen Sie die verschmutzten Filter.

)* Innenflächen des Luftbehälters gründlich reinigen und die kondensierte Flüssigkeit nach einer Trocknerstörung komplett entfernen.

Sobald ein Defekt beseitigt ist und nach dem erneuten Zusammenbau des Trockners muss das im Drucklufttank erfasste Kondensat abgelassen werden, der Drucklufttank muss getrocknet und der Trockner regeneriert werden. Dies geschieht am besten, wenn der Kompressor dauerhaft bei einem Druck von ca. 1 bar für mindestens 1 Stunde benutzt wird



Um die angeschlossenen Geräte vor Schäden zu bewahren, ist es erforderlich, die Feuchtigkeit der ausgetretenen Luft aus dem Druckluftbehälter zu prüfen (siehe Kapitel Technische Daten).

26. INFORMATIONEN ZU REPARATURBETRIEBEN

Reparaturen während des Garantiezeitraums oder danach werden durch den Hersteller ausgeführt bzw. durch Unternehmen und Techniker, die vom Hersteller eine Genehmigung erhalten haben.

Warnung.

Der Hersteller behält sich das Recht vor, Änderungen am Gerät vorzunehmen, die die Geräteeigenschaften nicht maßgeblich beeinflussen.

TABLES DES MATIÈRES

INFORMATIONS IMPORTANTES	121
1. CONFORMITE AUX EXIGENCES DES DIRECTIVES DE L'UNION EUROPEENNE ..	121
2. UTILISATION PRÉVUE.....	121
3. CONTRE-INDICATIONS ET EFFETS SECONDAIRES	121
4. SYMBOLES	121
5. AVERTISSEMENTS.....	122
6. CONDITIONS D'ENTREPOSAGE ET DE TRANSPORT	124
DESCRIPTION DU PRODUIT	125
7. VARIANTES.....	125
8. ACCESSOIRES	125
9. FONCTIONNALITÉ DU PRODUIT	126
DONNÉES TECHNIQUES	131
INSTALLATION	140
10. CONDITIONS D'EMPLOI	140
11. POSITIONNEMENT DU COMPRESSEUR	140
12. RACCORDS PNEUMATIQUES.....	142
13. RACCORDEMENT ELECTRIQUE	145
14. PLACEMENT DU COMPRESSEUR DANS L'ARMOIRE	146
15. MISE EN SERVICE	148
16. SCHÉMAS PNEUMATIQUES ET ÉLECTRIQUES.....	149
FONCTIONNEMENT.....	155
17. ALLUMAGE DU COMPRESSEUR	156
18. ARRÊT DU COMPRESSEUR	156
SECHEUR AD.....	157
19. PRINCIPE DE FONCTIONNEMENT	157
20. INTERFACE / PARAMETRES UTILISATEUR.....	158
21. ÉCRANS PRINCIPAUX.....	160
22. INDICATION DES ETATS DE MAINTENANCE ET D'ALARME	162
MAINTENANCE DE L'APPAREIL	165
23. MAINTENANCE DE L'APPAREIL	165
24. ARRÊT PROLONGÉ.....	174
25. MISE AU REBUT DE L'APPAREIL.....	174
DÉPANNAGE	175
26. SERVICE DE REPARATION.....	177
ANNEXE	408
27. REGISTRE D'INSTALLATION	410

INFORMATIONS IMPORTANTES**1. CONFORMITE AUX EXIGENCES DES DIRECTIVES DE L'UNION EUROPEENNE**

Ce produit satisfait aux exigences du Règlement (UE) relatif aux dispositifs médicaux (MDR 2017/745). Par ailleurs, il est sécurisé pour l'utilisation prévue, sous réserve du respect des consignes de sécurité.

2. UTILISATION PRÉVUE

Le compresseur est utilisé comme source d'air comprimé, propre et exempt d'huile pour alimenter des dispositifs médicaux actifs, où les paramètres et les propriétés de l'air comprimé conviennent à l'application spécifique.



L'air provenant du compresseur ne peut pas être utilisé avec des dispositifs de ventilation artificielle des poumons.

Toute utilisation non préconisée du produit est considérée comme une utilisation inappropriée. Le fabricant n'est pas responsable des dommages ou blessures résultant d'une utilisation inappropriée.

3. CONTRE-INDICATIONS ET EFFETS SECONDAIRES

Il n'existe aucune contre-indication, ni aucun effet secondaire répertorié.

4. SYMBOLES

Les symboles et marques suivants sont utilisés dans le manuel d'utilisation, sur l'appareil et son emballage :



Avertissement général



Avertissement - risque d'électrocution



Avertissement - le compresseur est commandé automatiquement



Avertissement - surface chaude



Mise en garde générale



Lisez les instructions d'utilisation



Reportez-vous au manuel d'instructions



Marquage CE




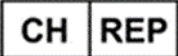


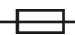







Dispositif médical



Numéro de série



Numéro d'article

	Identifiant unique des dispositifs
	Mandataire suisse
	Importateur suisse
	Protection de la mise à la terre
	Fusible
	Étiquette relative à la manipulation sur l'emballage – fragile
	Étiquette relative à la manipulation sur l'emballage – placer ce côté vers le haut
	Étiquette relative à la manipulation sur l'emballage – maintenir au sec
	Étiquette relative à la manipulation sur l'emballage – limites de température
	Étiquette relative à la manipulation sur l'emballage – empilage limité
	Étiquette de l'emballage – matériau recyclable
	Fabricant

5. AVERTISSEMENTS

Le produit est conçu et fabriqué de sorte à ne présenter aucun danger pour l'utilisateur et son environnement lorsqu'il est utilisé de la façon prescrite. Gardez les avertissements suivants à l'esprit.

5.1. Avertissements généraux

LISEZ ATTENTIVEMENT LE MANUEL D'UTILISATION AVANT D'UTILISER L'APPAREIL ET CONSERVEZ-LE POUR RÉFÉRENCE ULTÉRIEURE !

- Le manuel de l'utilisateur permet l'installation, l'utilisation et la maintenance appropriées du produit. L'utilisation stricte de ce manuel vous fournira les informations nécessaires pour une utilisation correcte du produit aux fins prévues.
- Conservez l'emballage d'origine pour le retour éventuel du produit. Seul l'emballage d'origine garantit la protection adéquate de l'appareil pendant le transport. S'il est nécessaire de retourner le produit au cours de la période de garantie, le fabricant n'est nullement responsable des dommages consécutifs à l'utilisation d'un emballage inapproprié.
- La présente garantie ne couvre pas les dommages dus à l'emploi d'accessoires autres que ceux indiqués ou recommandés par le fabricant.
- Le fabricant garantit uniquement la sécurité, la fiabilité et le fonctionnement du produit, sous réserve que :
 - les installations, les nouveaux réglages, les modifications, les développements et les

réparations soient confiés au fabricant ou à un organisme agréé par le fabricant ;

- le produit soit utilisé conformément au manuel de l'utilisateur.
- Le présent manuel de l'utilisateur présente, au moment de son impression, la configuration du produit, ainsi que sa conformité avec les normes techniques et de sécurité applicables. Le fabricant se réserve tous les droits sur la protection de sa configuration, des méthodes d'installation et des dénominations utilisées.
- La traduction du présent manuel de l'utilisateur est effectuée en conformité avec les meilleures connaissances disponibles. La version slovaque fait foi en cas d'incertitudes.
- Le présent manuel d'utilisateur tient lieu de notice originale. Sa traduction est effectuée en conformité avec les meilleures connaissances disponibles.

5.2. Avertissements généraux de sécurité

Le fabricant a conçu et fabriqué le produit de sorte à minimiser tous les risques lorsqu'il est utilisé correctement et aux fins envisagées. Le fabricant considère qu'il relève de sa responsabilité de décrire les mesures générales de sécurité suivantes.

- L'utilisation du produit doit respecter toutes les lois et réglementations locales en vigueur. L'opérateur et l'utilisateur sont tenus de respecter tous les règlements pertinents dans l'intérêt de l'exécution sûre de leurs travaux.
- Seule l'utilisation des pièces d'origine peut garantir la sécurité du personnel utilisateur et le fonctionnement sans faille du produit lui-même. Seuls les accessoires et pièces mentionnés dans la documentation technique ou explicitement agréés par le fabricant doivent être utilisés.
- L'opérateur doit s'assurer que l'appareil fonctionne de façon correcte et sûre avant chaque utilisation.
- L'utilisateur doit parfaitement comprendre le fonctionnement de l'appareil.
- Évitez d'utiliser le produit dans des environnements présentant un risque élevé d'explosion.
- L'utilisateur doit informer immédiatement le fournisseur de tout problème en lien direct avec l'utilisation de l'appareil.
- Tout incident grave survenu en relation avec l'appareil doit être signalé au fabricant et aux autorités compétentes de l'état membre dans lequel l'utilisateur et / ou le patient réside.

5.3. Avertissements de sécurité concernant la protection face au courant électrique

- L'appareil doit être uniquement branché à une prise correctement installée et mise à la terre.
- Avant de brancher le produit, assurez-vous que la tension et la fréquence indiquées sur le produit sont identiques aux valeurs du réseau électrique.
- Avant de mettre l'appareil en marche, vérifiez la présence d'éventuels dommages sur les conduites pneumatiques raccordées et sur les câbles électriques. Remplacez immédiatement les conduites pneumatiques et les câbles électriques endommagés.
- Débranchez immédiatement le produit du secteur (retirez le cordon d'alimentation de la prise) en cas de situations dangereuses ou de dysfonctionnement technique.
- Pendant les réparations et l'entretien, assurez-vous que :
 - la fiche principale n'est plus raccordée à la prise d'alimentation ;
 - la pression est purgée dans le réservoir d'air et les conduits
- Le produit doit uniquement être installé par un technicien qualifié.

6. CONDITIONS D'ENTREPOSAGE ET DE TRANSPORT

Le compresseur est expédié par le fabricant dans un emballage de transport. Cela permet de protéger le produit durant le transport.



Risque d'endommagement des composants pneumatiques.

Le compresseur ne doit être transporté que lorsque tout l'air qu'il contient a été évacué. Avant de déplacer ou de transporter le compresseur, relâchez toute la pression d'air du réservoir et des tuyaux de pression et évacuez le condensat du réservoir et du séparateur de condensat sur le sécheur.



Conservez l'emballage d'origine de l'usine au cas où l'appareil devrait être retourné. Utilisez l'emballage d'origine de l'usine pendant le transport, car il garantit une protection optimale du produit. . S'il est nécessaire de retourner le produit au cours de la période de garantie, le fabricant n'est nullement responsable des dommages consécutifs à l'utilisation d'un emballage inapproprié.



Le compresseur est expédié en position verticale et doit être sécurisé à l'aide de sangles de transport.



Protégez le compresseur des environnements humides et sales, ainsi que des températures extrêmes pendant le transport et le stockage. Ne le conservez pas à proximité de substances chimiques volatiles.



Dans le cas contraire, veuillez éliminer les matériaux d'emballage d'origine en respectant les règles en vigueur en matière d'environnement. Le carton de l'emballage peut être recyclé avec les produits à base de papier.



Il est interdit de stocker ou d'expédier l'équipement dans des conditions autres que celles spécifiées ci-dessous.

6.1. Conditions ambiantes

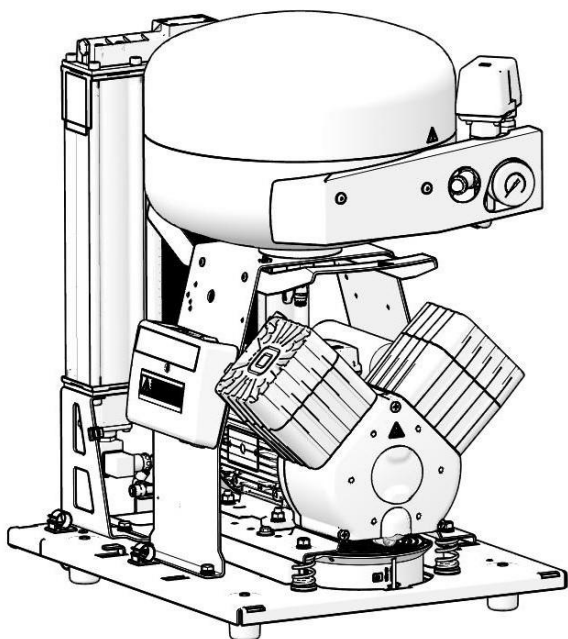
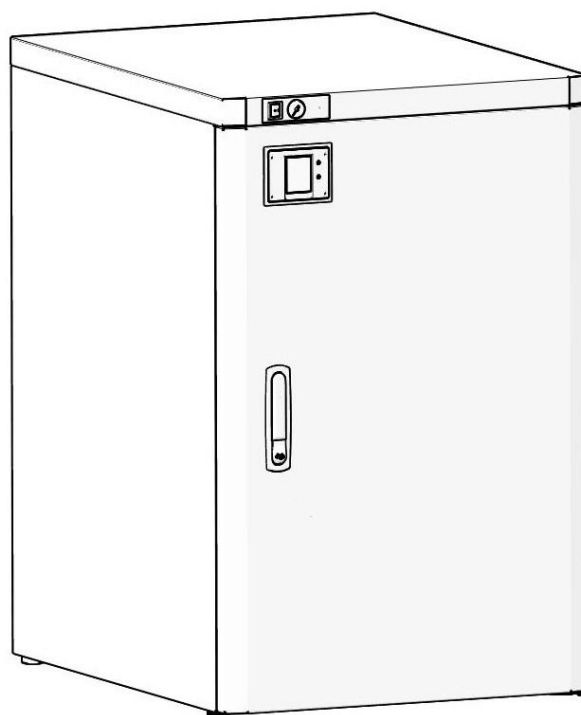
Les produits ne peuvent être stockés et transportés que dans des véhicules exempts de toute trace de substances chimiques volatiles dans les conditions climatiques suivantes :

Température	-25 °C à +55 °C, 24 h jusqu'à +70 °C
Humidité relative	90 % max. (sans condensation)

DESCRIPTION DU PRODUIT**7. VARIANTES**

Les modèles de compresseur sont conçus dans les variantes suivantes :

DK50 2V/M	un compresseur sur support avec un sécheur d'air
DK50 2V S/M	compresseur en armoire avec sécheur d'air

**DK50 2V/M****DK50 2V S/M****8. ACCESSOIRES**

Les accessoires non inclus dans la commande standard doivent être commandés séparément !

Ensemble de filtres de sortie d'air comprimé

Le compresseur peut être équipé d'un ensemble de filtres, si spécifié. L'ensemble de filtre peut être équipé d'un régulateur de pression de l'air.



Si un autre niveau de filtration d'air est nécessaire, cette demande doit être convenue avec le fournisseur et clairement mentionnée lors de la commande.

Modèle	Utilisation	Niveau de filtration (en μm)	Numéro d'article
FS 30F		1	
FS 30M	DK50 2V/M	1+0,1	à commander
FS 30S		1+0,01	
FS 30A		1+0,01+A**	

**) A – Sous-microfiltre avec charbon actif

Ensemble régulateur de l'ensemble de filtre

Les compresseurs peuvent être équipés d'un régulateur de pression sur la sortie d'air comprimé, si

spécifié. Le régulateur doit être choisi en fonction de l'ensemble de filtres ou bien séparément. Il doit assurer une pression constante au niveau de la sortie.

Modèle	Utilisation	Numéro d'article
Régulateur, complet (vers l'ensemble du filtre)	DK50 2V/M	à commander
REG11 (séparé)		447000001-077

Supports d'ensemble de filtre



Un support adapté doit être commandé pour chaque ensemble de filtre.

Modèle	Utilisation	Numéro d'article
Support de montage sur compresseur	DK50 2V, DK50 2V/M	à commander

Prise de liaison équipotentielle

La prise permet une liaison équipotentielle.

Modèle	Utilisation	Nom	Numéro d'article
POAG-KBT6-EC	DK50 2VS/M	Connecteur de prise secteur	033400075-000
FLEXI-S/POAG-HK6		Conducteur (1 m)	034110083-000

9. FONCTIONNALITÉ DU PRODUIT

9.1. Compresseur avec sécheur par adsorption

(Fig. 1) L'agrégat (1) aspire de l'air à travers le filtre d'entrée (8) et fournit de l'air comprimé à travers le tuyau de raccordement vers le sécheur à adsorption (38). Entre l'entrée et le module sécheur, l'air est d'abord refroidi dans le refroidisseur intégré (26) puis se déplace à travers le séparateur de condensats (32) et entre dans la chambre active avec adsorbant (27), où l'air est séché. Une partie de l'air est introduite dans la deuxième chambre de régénération, où il est utilisé pour éliminer l'humidité de l'adsorbant avant d'être évacué dans l'atmosphère. La chambre active s'intervertit de façon cyclique. L'air sec passe ensuite par le clapet anti-retour (3) vers le réservoir d'air (2). L'efficacité du séchage de l'air (le point de rosée sous pression) est déterminée par le capteur de point de rosée situé dans le réservoir d'air.

Il n'est pas nécessaire de vidanger le réservoir d'air.

9.2. Armoire du compresseur

(Fig. 3) L'armoire insonorisée assure le capotage compact du compresseur et la circulation suffisante de l'air de refroidissement. Sa conception le rend adapté à une utilisation dans des endroits où de faibles niveaux sonores sont exigés. Le ventilateur sous l'agrégat d'un compresseur permet le refroidissement du compresseur et fonctionne en même temps qu'un moteur du compresseur. Après une utilisation prolongée, la température à l'intérieur de l'armoire peut monter au-delà de 40 °C, ce qui fait automatiquement démarrer le ventilateur de refroidissement. Après le refroidissement à environ 32 °C de l'armoire, le ventilateur s'arrête automatiquement.

L'écran du sécheur (34) est situé sur le panneau avant de l'armoire.



Risque de surchauffe du compresseur.

Assurez-vous que rien n'entrave la libre circulation de l'air en dessous et autour du compresseur. Ne couvrez jamais la sortie d'air chaud située sur la partie supérieure arrière du boîtier.

En cas d'installation du compresseur sur un plancher mou, notamment un tapis, créez un espace vide entre la base et le plancher ou entre l'armoire et le plancher, par exemple en calant les pieds avec des supports durs.

Description des figures 1 à 3

1	Agrégat du compresseur	22	Poignée
2	Réservoir d'air	23	Roulettes
3	Clapet anti-retour	24	Tuyau du manomètre de pression
4	Pressostat	25	Module de sortie
5	Soupape de sûreté	26	Module de refroidissement
6	Manomètre	27	Chambre du sécheur
7	Soupape de vidange	28	Module du clapet d'admission
8	Filtre d'entrée	29	Entrée d'air comprimé
9	Ventilator kompresora	30	Électrovanne de régénération
10	Cuve de collecte de condensat	31	Ventilateur du sécheur
11	Support magnétique	32	Séparateur du condensat
12	Panneau électrique	33	Électrovanne de purge du condensat
13	Ventilateur de l'armoire	34	*Écran
14	Broche de porte	35	Sortie d'air
15	Vis de redressement	36	**Bague
16	Serrure	37	Sortie du séparateur de condensats et des vannes de régénération
17	Console de support	38	Sécheur par adsorption
18	Butée murale	39	Connecteur avec cordon
19	Commutateur	40	Commutateur du disjoncteur
20	Manomètre	41	***Le capteur de point de rosée
21	Charnière de porte		

* La position 34 s'applique au modèle DK50 2V/M sans armoire ; la position 34 est un simple couvercle dans le cas du DK50 2VS/M avec armoire.

** Pour le modèle avec armoire, le câble connecté à l'écran (36) du panneau avant de l'armoire passe par la bague universelle.

*** S'applique au modèle avec capteur de point de rosée.

Fig. 1: DK50 2V/M – Compresseur avec sécheur par adsorption

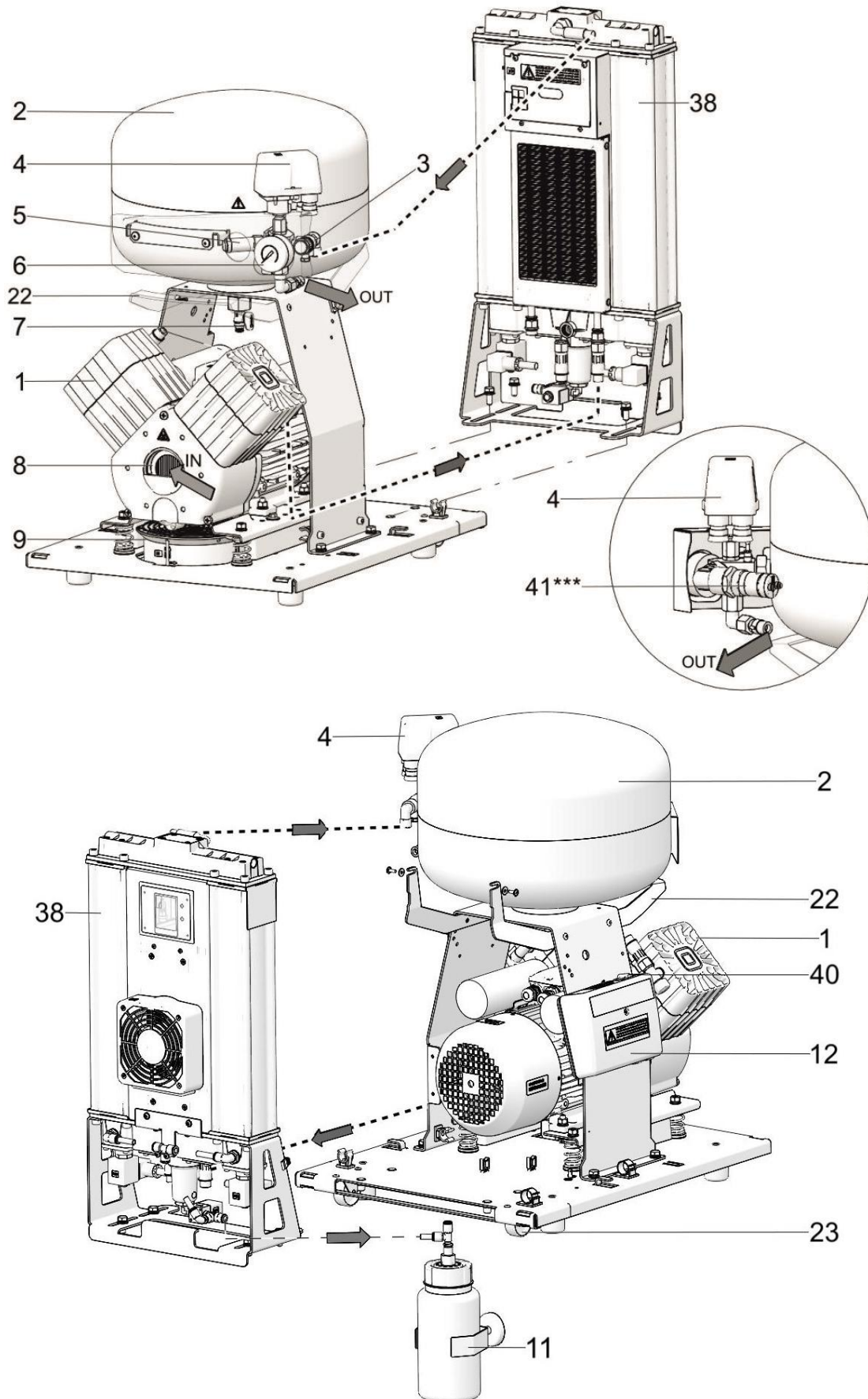
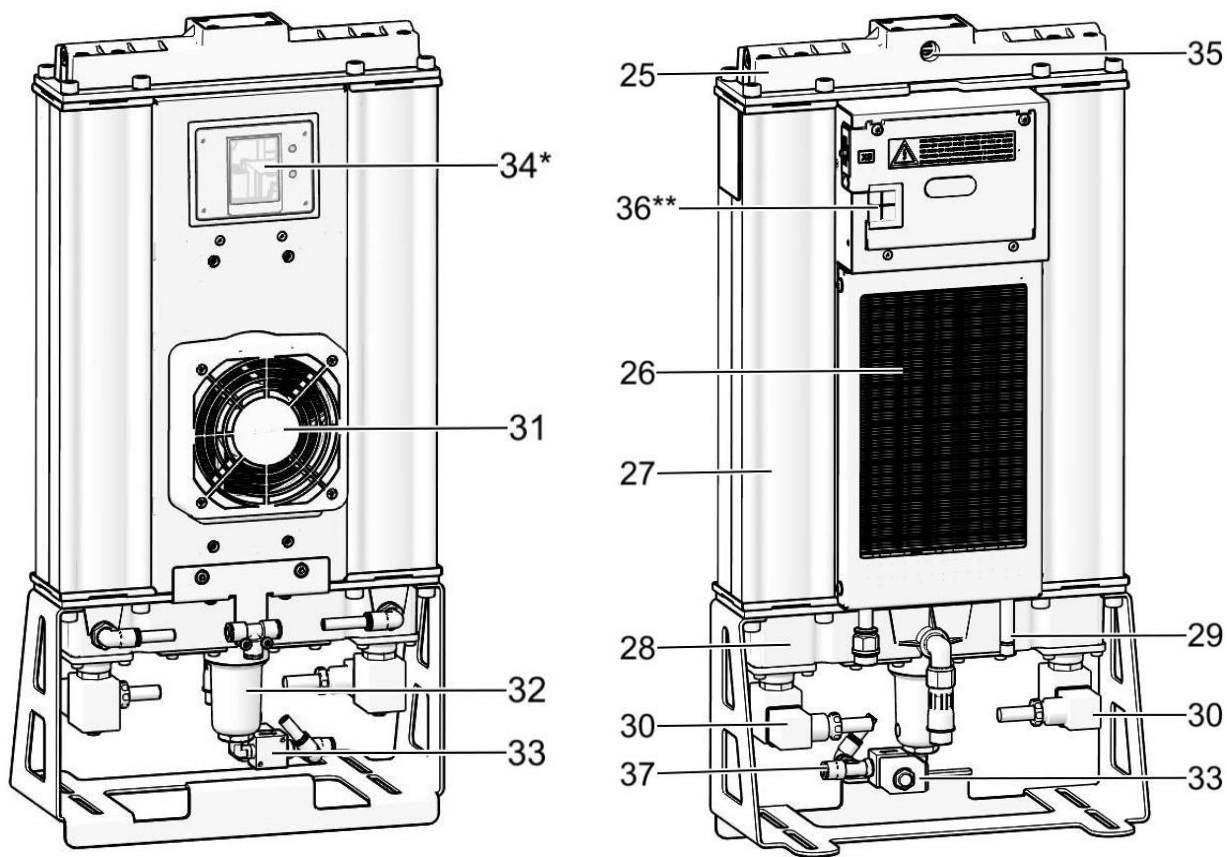
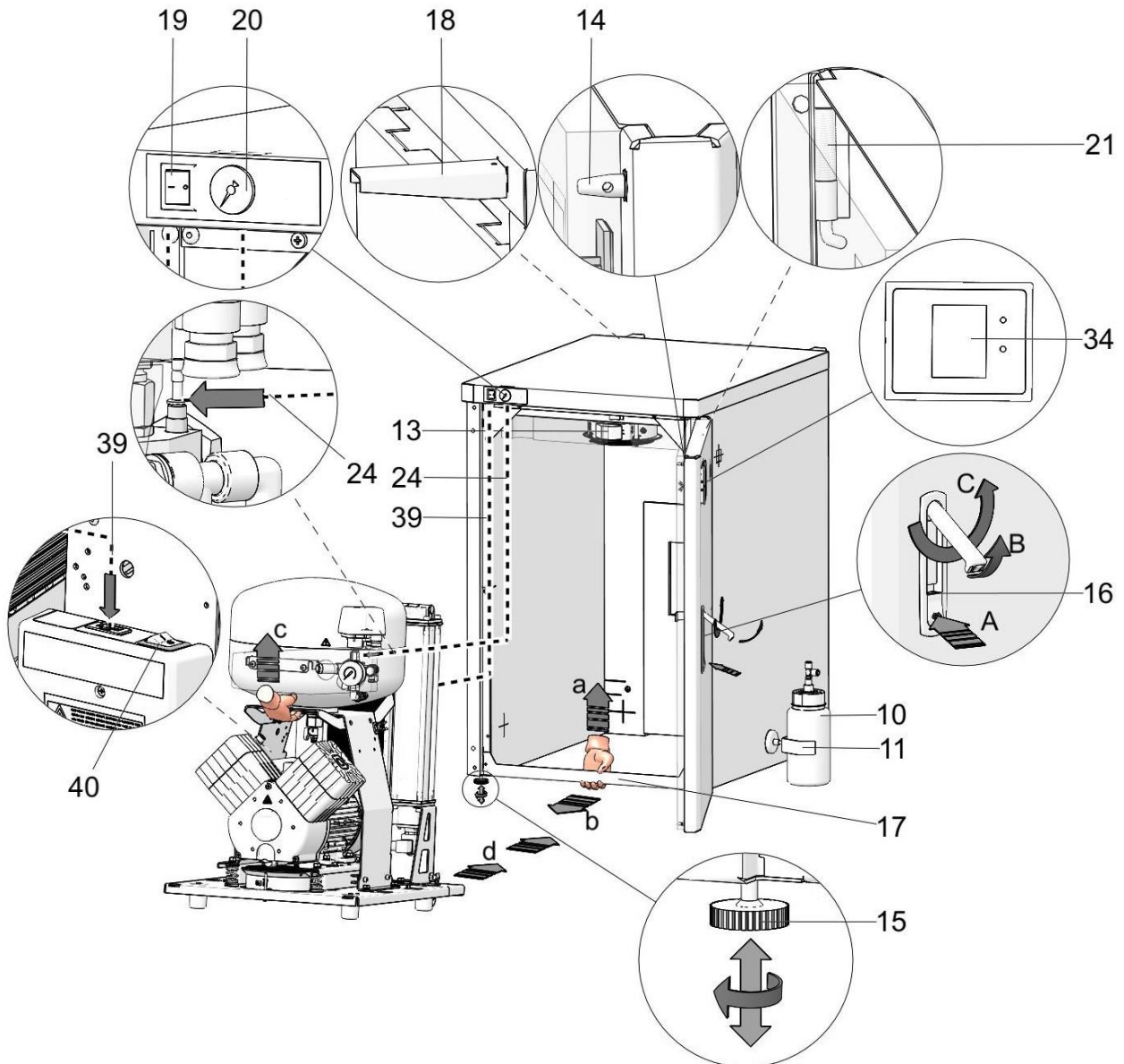


Fig. 2: – Sécheur par adsorption

**ADM140/25**

- * La position 34 s'applique au modèle DK50 2V/M sans armoire ; la position 34 est un simple couvercle dans le cas du DK50 2VS/M avec armoire.
- ** Pour le modèle avec armoire, le câble connecté à l'écran (36) du panneau avant de l'armoire passe par la bague universelle.

Fig. 3: – Armoire



DONNÉES TECHNIQUES

Les compresseurs sont conçus pour des environnements intérieurs secs et ventilés présentant les conditions suivantes :

Température

+5°C à +30°C

Humidité relative

50% maximum

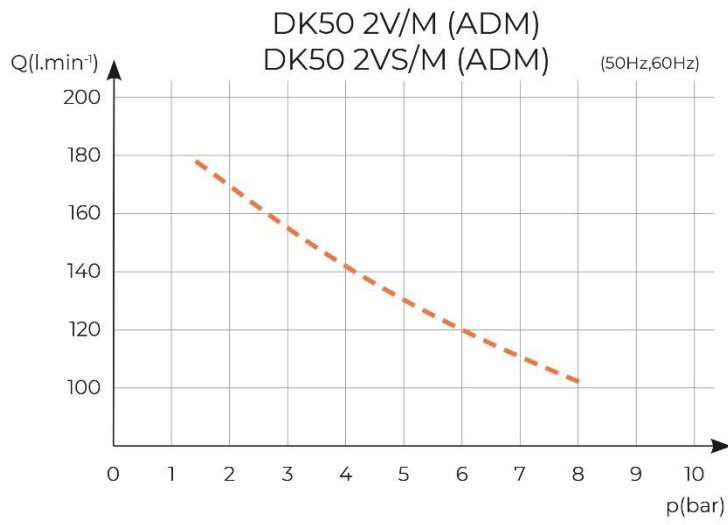
Pression de travail 6 – 8 bar		DK50 2V/M	DK50 2V S/M
Tension nominale, Fréquence ^{a)}	V, Hz	230, 50	230, 50
Capacité à 6 bar (FAD)	l/min	120	120
Pression de travail ^{b)}	bar	6,0 – 8,0	6,0 – 8,0
Courant nominal	A	8,8	9,0
Puissance du moteur	kW	1,2	1,2
Volume du réservoir d'air	l	25	25
Qualité de l'air - filtrage	µm	-	-
Pression maximale de fonctionnement de la soupape de sûreté	bar	11,0	11,0
Niveau de bruit à 5 bar (L _{pA})	dB	≤69,0	≤55,0
Mode de fonctionnement	%	S1-100	S1-100
Performance de séchage PDP à 7 bar	°C	≤ -20	≤ -20
Alerte de faible pression du sèche-linge	bar	< 3	< 3
Alerte de pression élevée du sèche-linge	bar	> 9	> 9
Alerte de point de rosée élevé du sèche-linge	°C	> -20	> -20
Temps de remplissage du réservoir d'air de 0 à 7 bar	s	90	90
Dimensions (nettes) L x l x h	mm	460x620x720	560x720x880
Poids net ^{c)}	kg	69	110
Classification conforme à la norme EN 60601-1	Classe I.		

^{a)} Lors de la commande, indiquez la version du compresseur

^{b)} Pour toute autre plage de pression, veuillez contacter le fournisseur

^{c)} Les informations relatives au poids sont fournies uniquement à titre d'information et ne s'appliquent qu'au produit, sans accessoire aucun

Influence de la puissance du compresseur sur la pression de travail



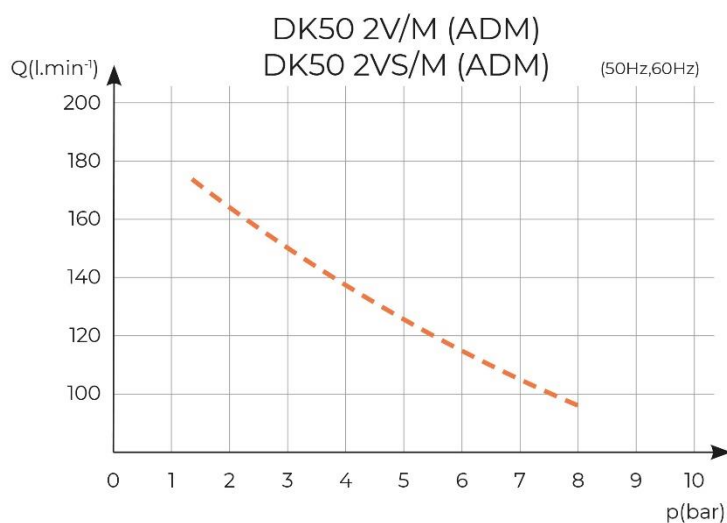
Pression de travail 6 – 8 bar		DK50 2V/M	DK50 2V S/M
Tension nominale, Fréquence ^{a)}	V, Hz	230, 50	230, 50
Capacité à 6 bar (FAD)	l/min	115	115
Pression de travail ^{b)}	bar	6,0 – 8,0	6,0 – 8,0
Courant nominal	A	8,8	9,0
Puissance du moteur	kW	1,2	1,2
Volume du réservoir d'air	l	25	25
Qualité de l'air - filtrage	µm	-	-
Pression maximale de fonctionnement de la soupape de sûreté	bar	11,0	11,0
Niveau de bruit à 5 bar (L _{pA})	dB	≤69,0	≤55,0
Mode de fonctionnement	%	S1-100	S1-100
Performance de séchage PDP à 7 bar	°C	≤ -40	≤ -40
Alerte de faible pression du sèche-linge	bar	< 3	< 3
Alerte de pression élevée du sèche-linge	bar	> 9	> 9
Alerte de point de rosée élevé du sèche-linge	°C	> -40	> -40
Temps de remplissage du réservoir d'air de 0 à 7 bar	s	100	100
Dimensions (nettes) L x l x h	mm	460x620x720	560x720x880
Poids net ^{c)}	kg	69	110
Classification conforme à la norme EN 60601-1	Classe I.		

^{a)} Lors de la commande, indiquez la version du compresseur

^{b)} Pour toute autre plage de pression, veuillez contacter le fournisseur

^{c)} Les informations relatives au poids sont fournies uniquement à titre d'information et ne s'appliquent qu'au produit, sans accessoire aucun

Influence de la puissance du compresseur sur la pression de travail



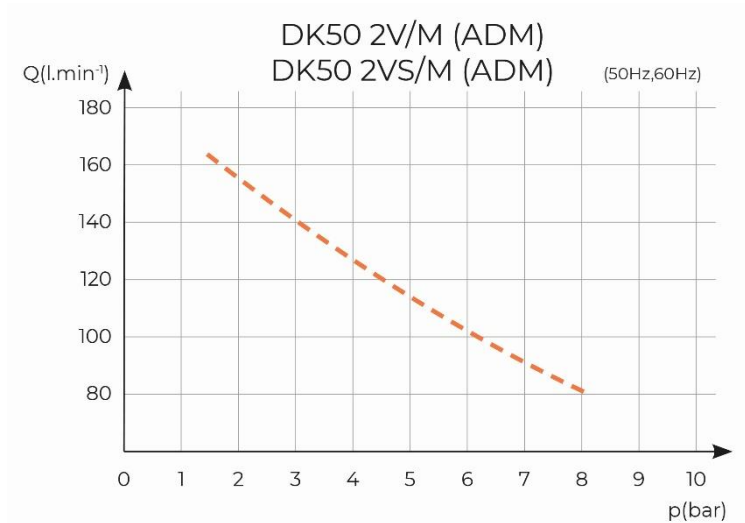
Pression de travail 6 – 8 bar		DK50 2V/M	DK50 2V S/M
Tension nominale, Fréquence ^{a)}	V, Hz	230, 50	230, 50
Capacité à 6 bar (FAD)	l/min	100	100
Pression de travail ^{b)}	bar	6,0 – 8,0	6,0 – 8,0
Courant nominal	A	8,8	9,0
Puissance du moteur	kW	1,2	1,2
Volume du réservoir d'air	l	25	25
Qualité de l'air - filtrage	µm	-	-
Pression maximale de fonctionnement de la soupape de sûreté	bar	11,0	11,0
Niveau de bruit à 5 bar (L _{pA})	dB	≤69,0	≤55,0
Mode de fonctionnement	%	S1-100	S1-100
Performance de séchage PDP à 7 bar	°C	≤ -70	≤ -70
Alerte de faible pression du sèche-linge	bar	< 3	< 3
Alerte de pression élevée du sèche-linge	bar	> 9	> 9
Alerte de point de rosée élevé du sèche-linge	°C	-68	-68
Temps de remplissage du réservoir d'air de 0 à 7 bar	s	110	110
Dimensions (nettes) L x l x h	mm	460x620x720	560x720x880
Poids net ^{c)}	kg	69	110
Classification conforme à la norme EN 60601-1		Classe I.	

a) Lors de la commande, indiquez la version du compresseur

b) Pour toute autre plage de pression, veuillez contacter le fournisseur

c) Les informations relatives au poids sont fournies uniquement à titre d'information et ne s'appliquent qu'au produit, sans accessoire aucun

Influence de la puissance du compresseur sur la pression de travail



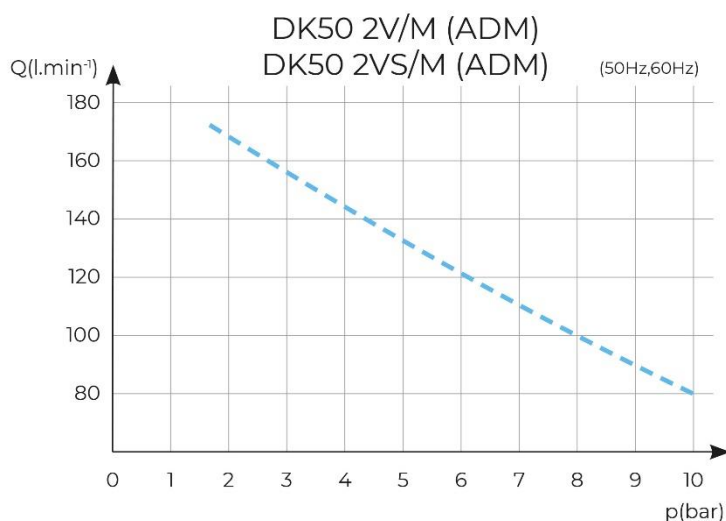
Pression de travail 8 – 10 bar		DK50 2V/M	DK50 2V S/M
Tension nominale, Fréquence ^{a)}	V, Hz	230, 50	230, 50
Capacité à 8 bar (FAD)	l/min	100	100
Pression de travail ^{b)}	bar	8,0 – 10,0	8,0 – 10,0
Courant nominal	A	8,6	8,8
Puissance du moteur	kW	1,2	1,2
Volume du réservoir d'air	l	25	25
Qualité de l'air - filtrage	µm	-	-
Pression maximale de fonctionnement de la soupape de sûreté	bar	11,0	11,0
Niveau de bruit à 5 bar (L _{pA})	dB	≤69,0	≤55,0
Mode de fonctionnement	%	S1-100	S1-100
Performance de séchage PDP à 7 bar	°C	≤ -20	≤ -20
Alerte de faible pression du sèche-linge	bar	< 3	< 3
Alerte de pression élevée du sèche-linge	bar	> 11	> 11
Alerte de point de rosée élevé du sèche-linge	°C	> -20	> -20
Temps de remplissage du réservoir d'air de 0 à 7 bar	s	115	115
Dimensions (nettes) L x l x h	mm	460x620x720	560x720x880
Poids net ^{c)}	kg	71	112
Classification conforme à la norme EN 60601-1	Classe I.		

^{a)} Lors de la commande, indiquez la version du compresseur

^{b)} Pour toute autre plage de pression, veuillez contacter le fournisseur

^{c)} Les informations relatives au poids sont fournies uniquement à titre d'information et ne s'appliquent qu'au produit, sans accessoire aucun

Influence de la puissance du compresseur sur la pression de travail



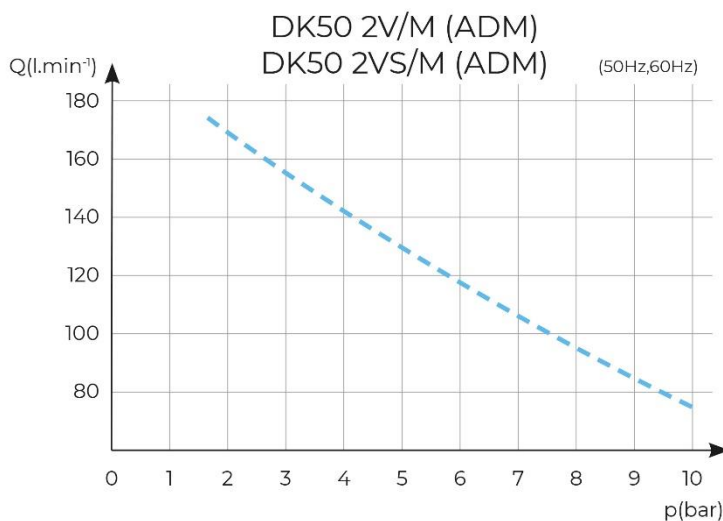
Pression de travail 8 – 10 bar		DK50 2V/M	DK50 2V S/M
Tension nominale, Fréquence ^{a)}	V, Hz	230, 50	230, 50
Capacité à 8 bar (FAD)	l/min	95	95
Pression de travail ^{b)}	bar	8,0 – 10,0	8,0 – 10,0
Courant nominal	A	8,6	8,8
Puissance du moteur	kW	1,2	1,2
Volume du réservoir d'air	l	25	25
Qualité de l'air - filtrage	µm	-	-
Pression maximale de fonctionnement de la soupape de sûreté	bar	11,0	11,0
Niveau de bruit à 5 bar (L _{pA})	dB	≤69,0	≤55,0
Mode de fonctionnement	%	S1-100	S1-100
Performance de séchage PDP à 7 bar	°C	≤ -40	≤ -40
Alerte de faible pression du sèche-linge	bar	< 3	< 3
Alerte de pression élevée du sèche-linge	bar	> 11	> 11
Alerte de point de rosée élevé du sèche-linge	°C	> -40	> -40
Temps de remplissage du réservoir d'air de 0 à 7 bar	s	120	120
Dimensions (nettes) L x l x h	mm	460x620x720	560x720x880
Poids net ^{c)}	kg	71	112
Classification conforme à la norme EN 60601-1		Classe I.	

a) Lors de la commande, indiquez la version du compresseur

b) Pour toute autre plage de pression, veuillez contacter le fournisseur

c) Les informations relatives au poids sont fournies uniquement à titre d'information et ne s'appliquent qu'au produit, sans accessoire aucun

Influence de la puissance du compresseur sur la pression de travail



Correction de la capacité de la DAL en fonction de l'altitude

La capacité donnée sous forme de DAL (« Distribution d'air libre ») s'applique aux conditions suivantes :

Altitude	0 m ADNMM	Température	20 °C
Pression atmosphérique	101 325 Pa	Humidité relative	0 %

Pour calculer la capacité du compresseur DAL en fonction de l'altitude, il est nécessaire d'appliquer un facteur de correction selon le tableau suivant :

Altitude [m ADNMM]	0 - 1 500	1 501 - 2 500	2 501 – 3 500	3 501 – 4 500
Facteur de correction de la DAL	1	0,80	0,71	0,60

Clartion du compatibilite electromagnetique (cem)

Dé Le dispositif médical nécessite une précaution particulière concernant la compatibilité électromagnétique (CEM) et doivent être installés et mis en service conformément aux informations CEM fournies ci-dessous.

Directives et déclaration du fabricant - émissions électromagnétiques		
Conformément à IEC 60601-1-2:2014/AMD1:2020 - Appareils électromédicaux – Partie 1-2: Règles générales pour la sécurité de base et les performances essentielles – Norme collatérale: Perturbations électromagnétiques - Exigences et essais		
L'appareil est destiné à être utilisé dans l'environnement électromagnétique spécifié ci-dessous. Le client ou l'utilisateur de l'appareil doit s'assurer qu'il est utilisé dans un tel environnement.		
Test d'émissions	Conformité	Environnement électromagnétique - directives
Émissions RF CISPR 11	Groupe 1	L'appareil utilise l'énergie RF uniquement pour son fonctionnement interne. Par conséquent, les émissions RF sont très faibles et ne sont pas susceptibles de provoquer des interférences avec l'équipement électronique se trouvant à proximité.
Émissions RF CISPR 11	Classe B	L'appareil est adapté à une utilisation dans toutes les installations, y compris les installations résidentielles et celles directement raccordées au réseau public d'alimentation basse tension qui alimente les bâtiments utilisés à des fins résidentielles.
Émissions d'harmoniques CEI 61000-3-2	Classe A	
Variations de tension / émissions flicker CEI 61000-3-3	L'appareil ne devrait pas créer de flickers, étant donné que le débit du courant est à peu près constant après la mise en marche.	


Directives et déclaration du fabricant - immunité électromagnétique

Conformément à IEC 60601-1-2:2014/AMD1:2020 - Appareils électromédicaux – Partie 1-2: Règles générales pour la sécurité de base et les performances essentielles – Norme collatérale: Perturbations électromagnétiques - Exigences et essais

L'appareil est destiné à être utilisé dans l'environnement électromagnétique spécifié ci-dessous. Le client ou l'utilisateur de l'appareil doit s'assurer qu'il est utilisé dans un tel environnement.

Test d'immunité	Niveau de test CEI 60601-1-2	Niveau de conformité	Environnement électromagnétique - directives
Décharge électrostatique (ESD) CEI 61000-4-2	± 8 kV contact ± 15 kV air	± 8 kV contact ± 15 kV air	Les sols doivent être en bois, béton ou carreaux de céramique. Si les sols sont recouverts d'un matériau synthétique, l'humidité relative doit être supérieure ou égale à 30 %.
Transitoires électriques rapides / en salves CEI 61000-4-4	± 2 kV pour les lignes d'alimentation ± 1 kV pour les lignes d'entrée / sortie	± 2 kV Fréquence de répétition de 100 kHz Appliqué au raccordement au réseau électrique	La qualité de l'alimentation doit être celle d'un environnement commercial ou hospitalier typique.
Surtension CEI 61000-4-5	±1 kV mode différentiel ±2 kV mode commun	±1 kV L-N ±2 kV L-PE; N-PE Appliqué au raccordement au réseau électrique	La qualité de l'alimentation doit être celle d'un environnement commercial ou hospitalier typique.
Creux de tension, courte interruption, et variations de tension sur les lignes d'entrée d'alimentation électrique CEI 60601-4-11	U _T =0%, 0,5 cycle (à 0, 45, 90, 135, 180, 225, 270 et 315°) U _T =0%, 1 cycle U _T =70% 25/30 cycles (à 0°) U _T =0%, 250/300 cycles	U _T =>95%, 0,5 cycle (à 0, 45, 90, 135, 180, 225, 270 et 315°) U _T =>95%, 1 cycle U _T =70% (30% baisse U _T), 25(50Hz)/30(60Hz) cycles (à 0°) U _T =>95%, 250(50Hz)/300(60Hz) cycle	La qualité de l'alimentation doit être celle d'un environnement commercial ou hospitalier typique. L'appareil s'arrête et redémarre automatiquement après chaque baisse. Ainsi, aucune chute de pression intolérable ne se produit.
Fréquence d'alimentation (50/60 Hz) CEI 61000-4-8	30 A/m	30 A/m	Les champs magnétiques de la fréquence d'alimentation doivent être à des niveaux caractéristiques d'un emplacement typique dans un environnement commercial ou hospitalier typique.
Champs de rayonnement à proximité immédiate selon CEI 61000-4-39	30 A/m	30 A/m	Les champs magnétiques de la fréquence d'alimentation doivent être à des niveaux caractéristiques d'un emplacement typique dans un environnement commercial ou hospitalier typique.

Remarque : U_T est la tension d'alimentation avant l'application du niveau de test.

Directives et déclaration du fabricant - immunité électromagnétique			
Conformément à IEC 60601-1-2:2014/AMD1:2020 - Appareils électromédicaux – Partie 1-2: Règles générales pour la sécurité de base et les performances essentielles – Norme collatérale: Perturbations électromagnétiques - Exigences et essais			
L'appareil est destiné à être utilisé dans l'environnement électromagnétique spécifié ci-dessous. Le client ou l'utilisateur de l'appareil doit s'assurer qu'il est utilisé dans un tel environnement.			
Test d'immunité	Niveau de test CEI 60601-1-2	Niveau de conformité	Environnement électromagnétique - directives
RF par conduction CEI 61000-4-6	3 Vrms 150 kHz à 80MHz	3 Vrms	Les appareils de communication RF portables et mobiles ne doivent pas être utilisés à une distance inférieure à la distance de séparation recommandée, calculée à partir de l'équation applicable à la fréquence de l'émetteur, de n'importe quelle partie de l'appareil, y compris les câbles. Distance de séparation recommandée $d=1,2\sqrt{P}$ $d=1,2\sqrt{P}$, 80 MHz à 800 MHz $d=2,3\sqrt{P}$, 800 MHz à 2,7 GHz où P est la puissance maximale de sortie de l'émetteur en watts (W) selon le fabricant de l'émetteur et d est la distance de séparation recommandée en mètres (m).
RF par rayonnement CEI 61000-4-3	3 V/m 80 MHz à 2,7 GHz	3 V/m	Les intensités de champ des émetteurs RF fixes, telles que déterminées par une étude électromagnétique du site ^a , doivent être inférieures au niveau de conformité dans chaque plage de fréquences. ^b Des interférences peuvent se produire à proximité des équipements portant le symbole suivant :
Champs de proximité des appareils de communication sans fil RF CEI 61000-4-3	9 à 28 V / m 15 fréquences spécifiques (380 à 5800 MHz)	9 à 28 V / m 15 fréquences spécifiques (380 à 5800 MHz)	
REMARQUE 1 : à 80 MHz et 800 MHz, la plage de fréquence la plus élevée s'applique.			
REMARQUE 2 : ces directives peuvent ne pas s'appliquer dans toutes les situations. La propagation électromagnétique est affectée par l'absorption et la réflexion des structures, objets et personnes.			
^a Les intensités de champ des émetteurs fixes, tels que les stations de base pour téléphones radio (cellulaires / sans fil) et des radios mobiles terrestres, radios amateurs, diffusion radio AM et FM et diffusion télévisée ne peuvent pas être prédites théoriquement avec précision. Pour évaluer l'environnement électromagnétique dû à des émetteurs RF fixes, une étude électromagnétique du site doit être envisagée. Si l'intensité de champ mesurée sur le lieu où l'appareil utilisé dépasse le niveau de conformité RF applicable ci-dessus, l'appareil doit être observé pour vérifier le fonctionnement normal. Si des anomalies sont observées, des mesures supplémentaires peuvent être nécessaires, telles que la réorientation ou le déplacement de l'appareil.			
^b Sur la plage de fréquence de 150 kHz à 80 kHz, les intensités de champ doivent être inférieures à 3 V/m.			

INSTALLATION



Risque d'installation incorrecte.

Seul un professionnel qualifié peut installer le compresseur et le mettre en service pour la première fois. Ce professionnel est tenu de former le personnel à l'utilisation et à la maintenance de l'appareil. Sa signature apposée au document de remise de la machine vaut attestation de bonne installation et de formation du personnel. (Voir la fiche de garantie)

10. CONDITIONS D'EMPLOI

- Le compresseur ne peut être installé et utilisé que dans un environnement sec, bien ventilé et propre, dans les conditions spécifiées dans le chapitre sur les Données techniques.



Risque de dommages à l'appareil.

L'équipement ne doit pas être utilisé à l'extérieur ou dans des environnements humides.



Risque d'explosion.

Évitez d'utiliser l'équipement en présence de gaz explosifs, de poussières ou de liquides inflammables.

- Le compresseur doit être installé de sorte à être accessible en permanence pour être utilisé et entretenu. Veuillez vous assurer que l'étiquette sur l'appareil est facilement accessible.
- Le compresseur doit être posé sur un support plat et suffisamment stable (faites attention au poids du compresseur, voir le chapitre sur les Données techniques).



Lorsque vous mettez l'appareil en service pour la première fois (pendant une courte période), vous pouvez percevoir une odeur de « neuf ». Cette odeur est temporaire et n'empêche pas l'utilisation normale de l'appareil. Veillez à ce que la pièce soit correctement aérée après l'installation.

11. POSITIONNEMENT DU COMPRESSEUR

11.1. Manipulation et libération du compresseur

- Retirez le compresseur de son emballage.
- Pour les compresseurs avec armoire, ouvrir la porte avant et retirer la barrette de raccordement (17) de la partie inférieure avant. Retirer l'armoire du compresseur.
- Disposez le compresseur sur le site d'installation. (Fig. 4)

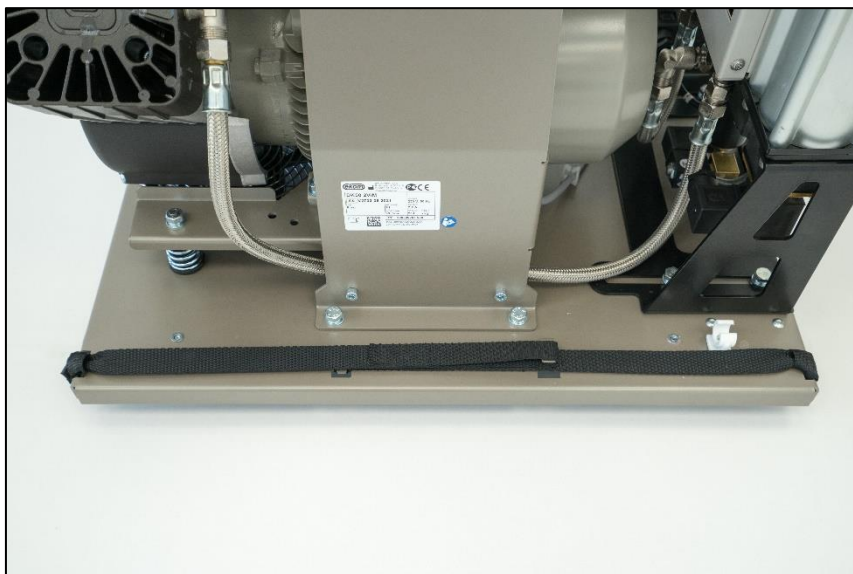
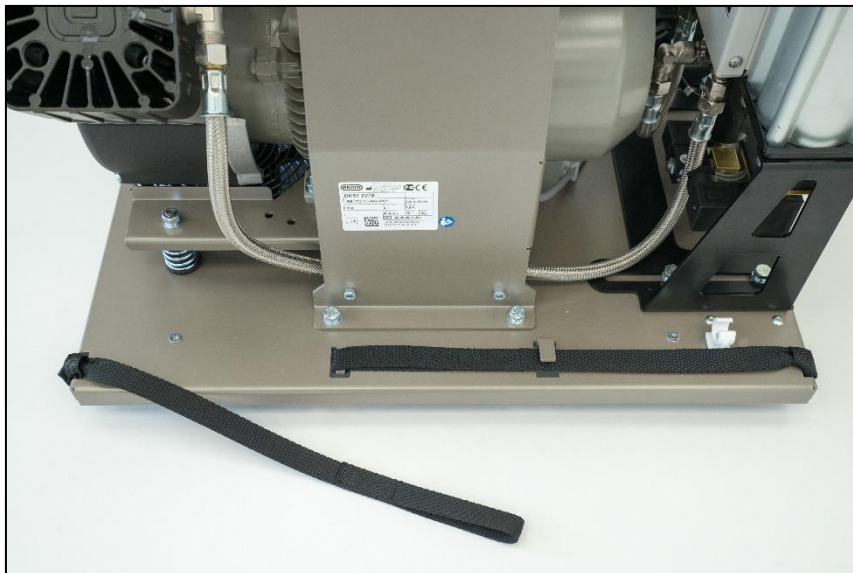


Utilisez les sangles de manutention et la poignée du compresseur pour déplacer le compresseur si besoin. N'utilisez pas d'autres parties du compresseur (agrégat, refroidisseur, etc.) pour le porter.



Le nombre de personnes nécessaires pour manipuler l'équipement doit être adapté au poids de celui-ci.

Fig. 4: Manipulation du compresseur à l'aide de sangles de manutention



Fixation des sangles de manutention après la mise en place du compresseur sur le lieu d'utilisation

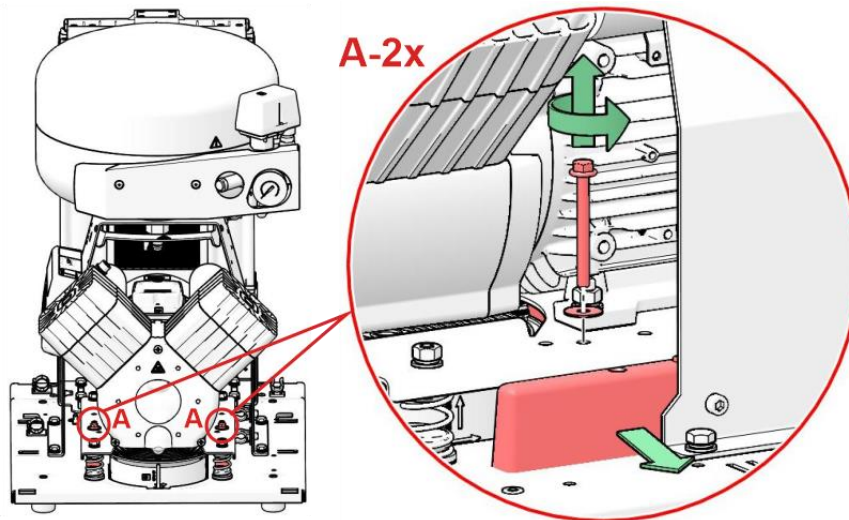
- Retirez les stabilisateurs de transport des agrégats. (Fig. 5)



Avant l'installation, assurez-vous d'enlever tous les emballages de transport et les stabilisateurs afin d'éviter tout risque de dommage au produit.

Retirez tous les dispositifs utilisés pour fixer les agrégats une fois que le compresseur a été installé et stabilisé sur le site d'installation final.

Fig. 5: Desserrez les pompes à air



12. RACCORDS PNEUMATIQUES

12.1. Raccordement à la prise d'air comprimé

- Raccordez le flexible de pression (2) à la sortie d'air comprimé (1) du compresseur (Fig. 6).
- Fixer le tuyau de pression dans l'attache (3) (Fig. 6).
- Faites passer le tuyau de pression à travers l'ouverture sur le côté gauche dans la paroi arrière de l'armoire sur les compresseurs dans l'armoire (Fig. 8).

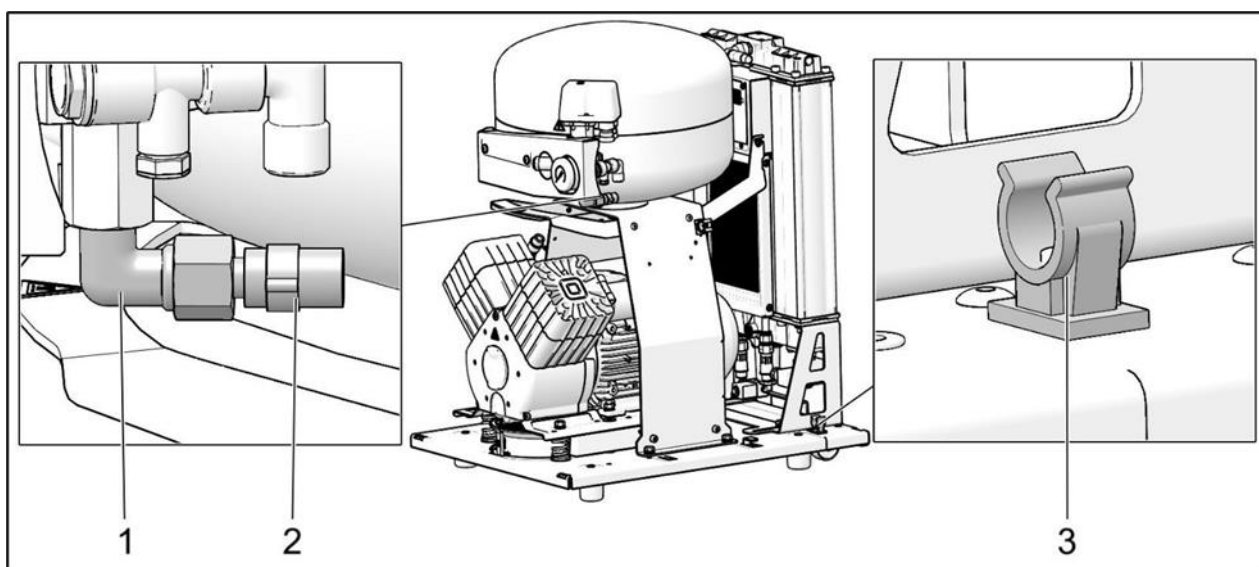


Fig. 6: Raccordement à la sortie d'air comprimé

12.2. Raccordement du manomètre de l'armoire au compresseur

- Retirez le bouchon (1) des filetages (2) du bloc pneumatique du compresseur.
- Raccordez le tuyau du manomètre de l'armoire au raccord fileté.

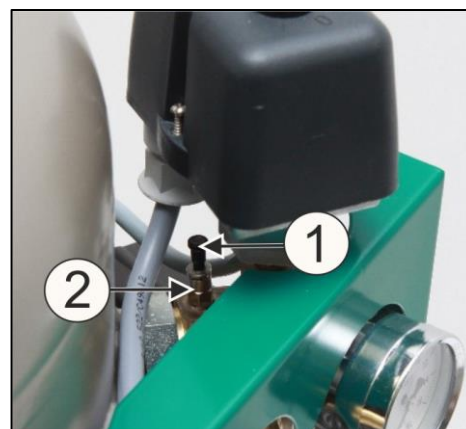


Fig. 7: Raccordement du manomètre de l'armoire au compresseur

12.3. Raccordement de la cuve pour condensat

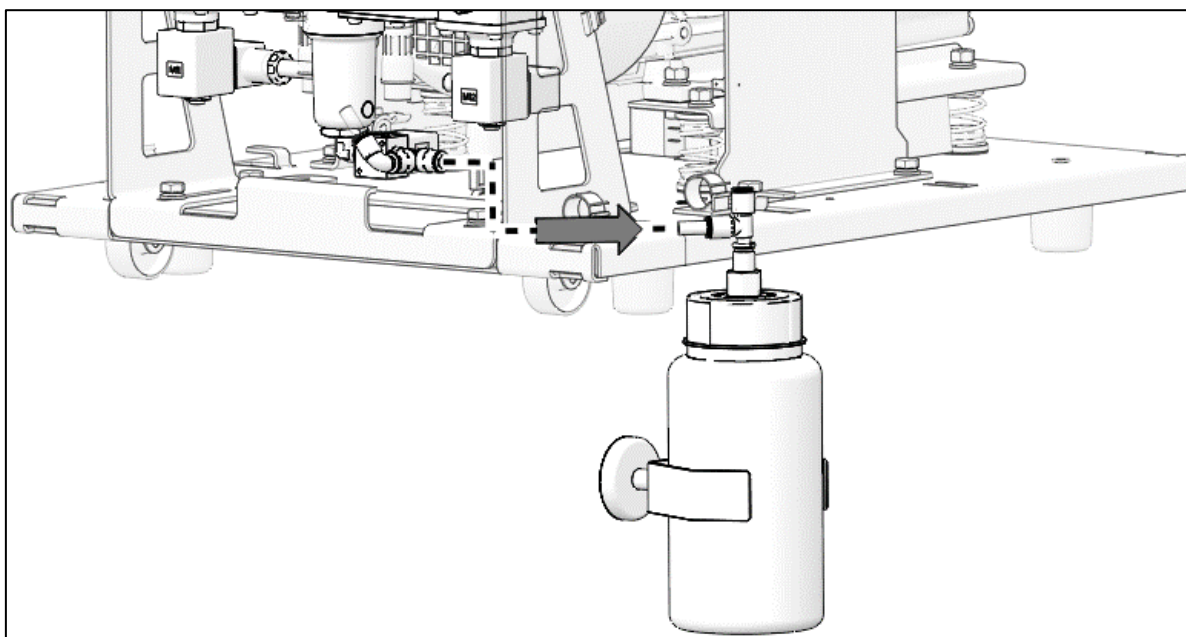
- Connectez le tuyau de purge des condensats à la bouteille de condensats sur les compresseurs dans l'armoire. (Fig. 8)
- Mettez le bouchon dans l'entrée libre du récipient de récupération des condensats.
- Acheminez le tuyau à travers l'ouverture dans la paroi arrière de l'armoire pour les compresseurs avec sécheurs. Raccordez le réservoir de récupération des condensats à la sortie des condensats du sécheur à l'aide du tuyau.

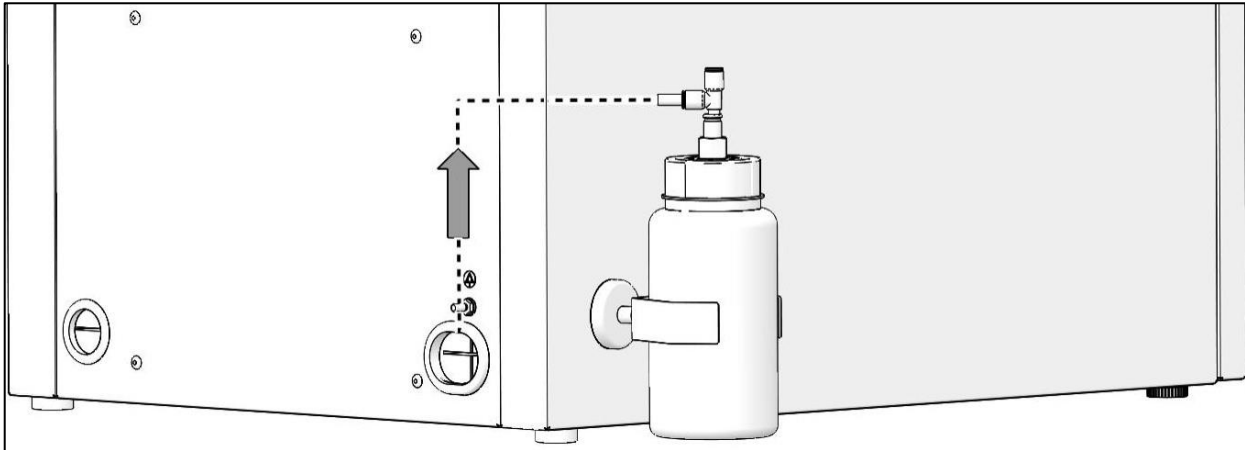


Risque de blessure.

Ne raccordez pas le tuyau d'évacuation des condensats directement sur à une purge des eaux usées ! Des passants risquent de se faire blesser !

Fig. 8: Raccordement de la cuve pour condensat





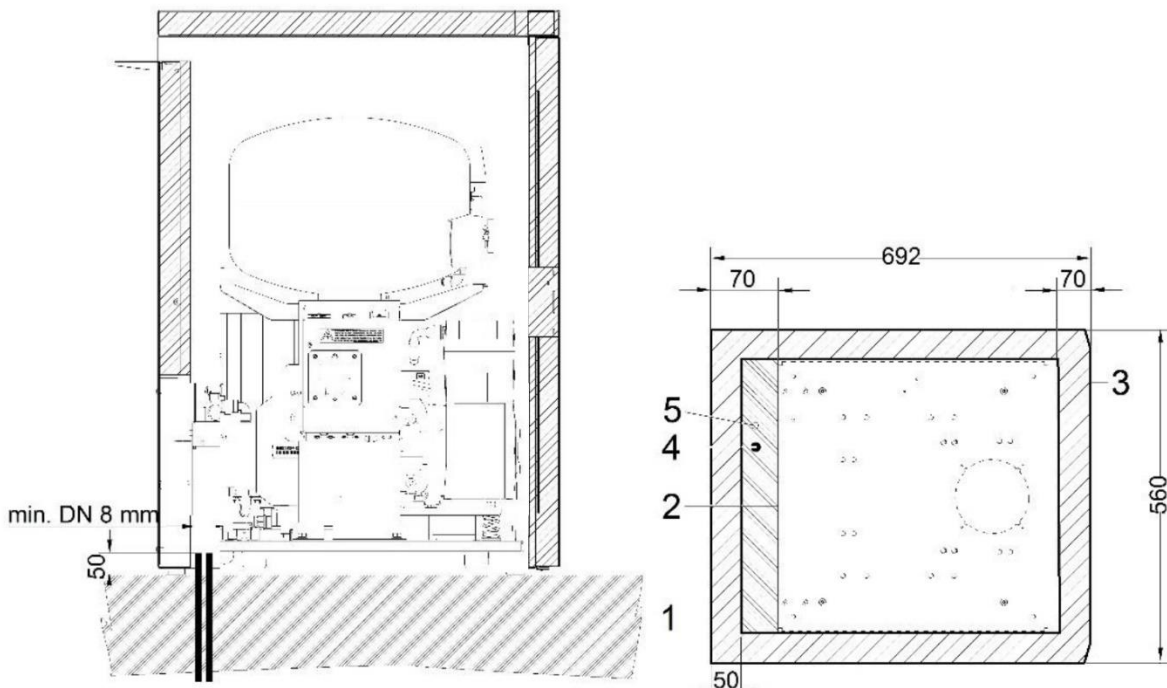
Risque d'endommagement des composants pneumatiques.

Les tuyaux d'air ne doivent pas être brisés.

12.4. Installation sur le plancher

Raccordez le compresseur à l'aide des tuyaux préparés à l'avance sur le plancher, conformément au plan d'installation.

Fig. 9: Installation sur le plancher



Description du Fig. 9:

- | | |
|--------------------------|--|
| 1. Aperçu de l'armoire | 4. Raccordement d'air comprimé G3/8 po |
| 2. Aperçu de la base | 5. Entrée d'alimentation électrique : |
| 3. Section avant - porte | 230V/50(60)Hz 3Gx1.0x4000 |
| | 3x400V/50Hz 5Gx1.0x4000 |

- toutes les dimensions sont en millimètres
- distance minimale du mur de 100 mm

13. RACCORDEMENT ELECTRIQUE

- Le produit est livré avec un cordon équipé d'une fiche avec broche de mise à la terre.
- Placez la prise à un endroit facilement accessible, de sorte à pouvoir débrancher l'appareil en toute sécurité.
- Le raccord à l'armoire de distribution de l'énergie électrique doit être de 16 A au maximum.



Risque d'électrocution.

Il est nécessaire de respecter toutes les réglementations électrotechniques locales. La fréquence et la tension du secteur doivent être conformes aux informations mentionnées sur l'étiquette de l'appareil.



Risque d'incendie et d'électrocution.

Assurez-vous que le câble électrique ne touche pas les composants chauds du compresseur.



Risque d'incendie et d'électrocution.

Le cordon électrique ne doit pas être rompu.



L'armoire à compresseur DK50 2V S/M, variante 6-8 bars, est équipée d'un ventilateur de refroidissement et d'un interrupteur. L'armoire doit être raccordée à un connecteur du coffret électrique du compresseur à l'aide du cordon muni d'un connecteur.

- Raccordez la broche afin d'établir une liaison équipotentielle de 6Ø mm (1) au circuit électrique en utilisant la méthode définie dans le cadre des réglementations électriques locales en vigueur
- La prise réservée à la liaison équipotentielle (2) est un accessoire et n'est pas fournie dans le kit de base



Fig. 10: Liaison équipotentielle

13.1. Raccordement d'un compresseur non installé dans une armoire

- Branchez la fiche secteur sur une prise secteur.
- Le compresseur est prêt à être utilisé.

13.2. Raccordement d'un compresseur installé dans une armoire

- Pour les modèles de compresseurs montés en armoire, faites passer la prise secteur à travers l'ouverture de la paroi arrière de l'armoire.
- Connectez l'armoire au compresseur en branchant le cordon d'alimentation fourni avec le connecteur (1) dans une sortie (2). (Fig. 11)
- Débranchez l'armoire du compresseur en tirant le connecteur (1) de la prise pendant que le loquet est relâché.
- Conditionnez l'écran au niveau de la porte avant de l'armoire, puis fixez le cordon sur l'écran à l'aide des pinces. (Fig. 16)

Fig. 11: Raccordement de l'armoire au compresseur



14. PLACEMENT DU COMPRESSEUR DANS L'ARMOIRE

- Positionner le compresseur à une distance d'au moins 500 mm de l'armoire pour faciliter le mouvement des tuyaux et du cordon d'alimentation à l'intérieur de l'armoire (Fig. 12).

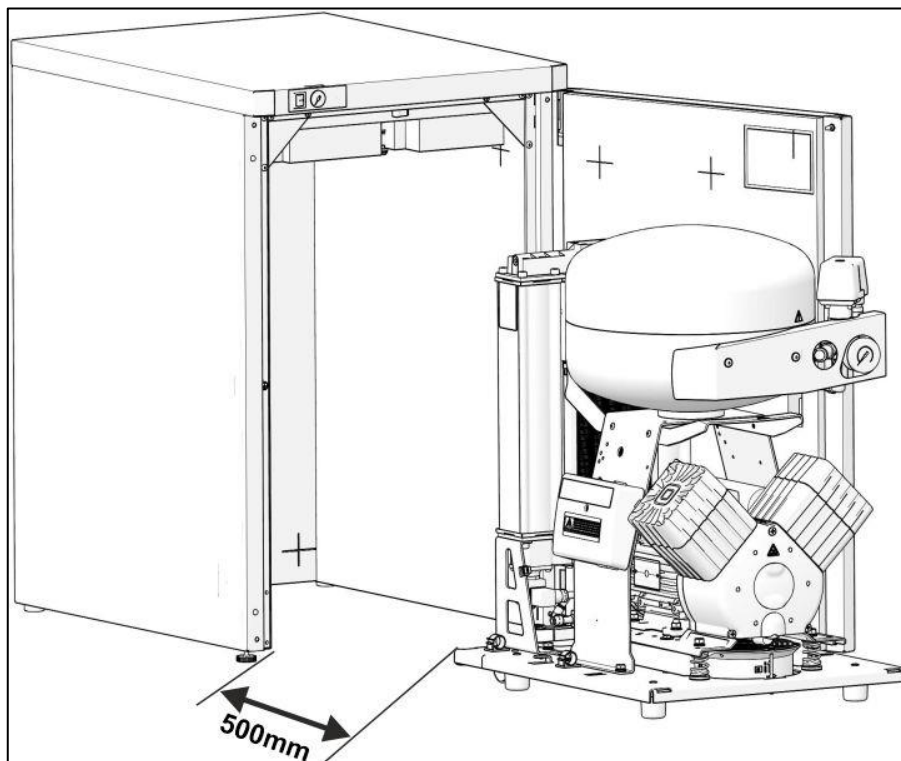


Fig. 12: Positionnement du compresseur pour les raccordements

- Effectuer les raccordements pneumatiques selon le chapitre 12.1.
- Raccorder le réservoir de collecte des condensats selon le chapitre 12.3.
- Acheminer le tuyau de pression, le tuyau d'évacuation des condensats et le cordon d'alimentation à travers l'ouverture dans la paroi arrière de l'armoire.
- Positionner le compresseur à une distance suffisante de l'armoire pour que le connecteur WINSTA puisse établir le raccordement électrique entre le compresseur et l'armoire (Fig. 11, Fig. 13).

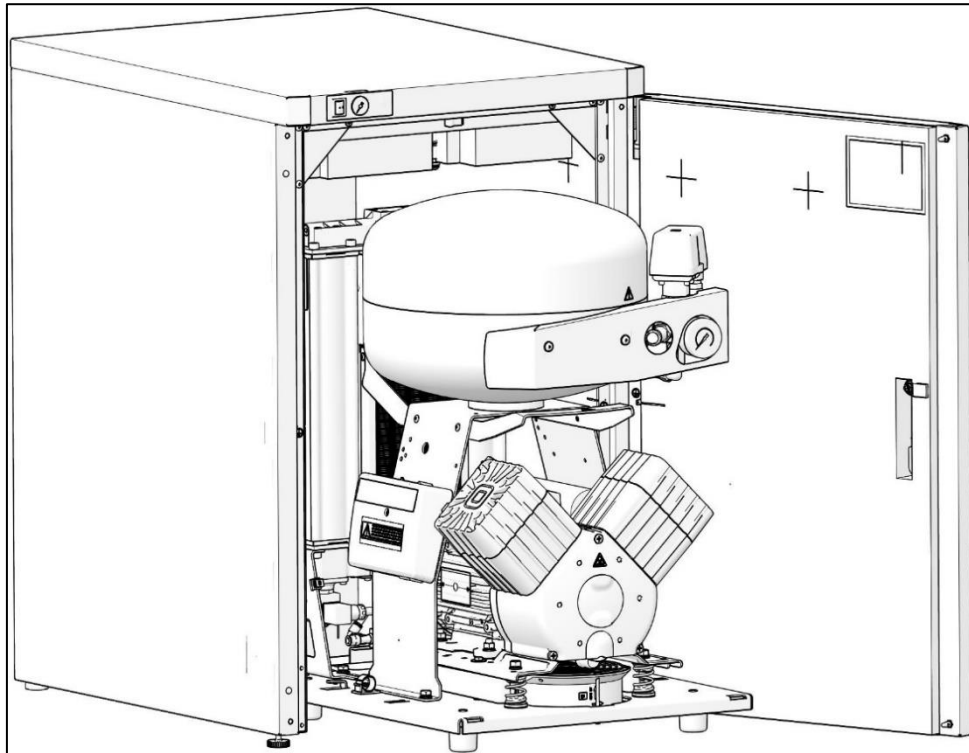


Fig. 13: Positionnement du compresseur pour les raccordements électriques

- Raccorder électriquement le compresseur selon le chapitre 13.
- Glisser le compresseur dans l'armoire et le fixer avec la barrette de raccordement (17).



Un compresseur équipé d'un sécheur d'air ne doit pas être inséré dans l'armoire jusqu'à la butée, car il y a un risque d'endommagement permanent du sécheur.

- Vérifier que le compresseur est complètement inséré dans l'armoire à l'aide de la dimension de contrôle (Fig. 14).

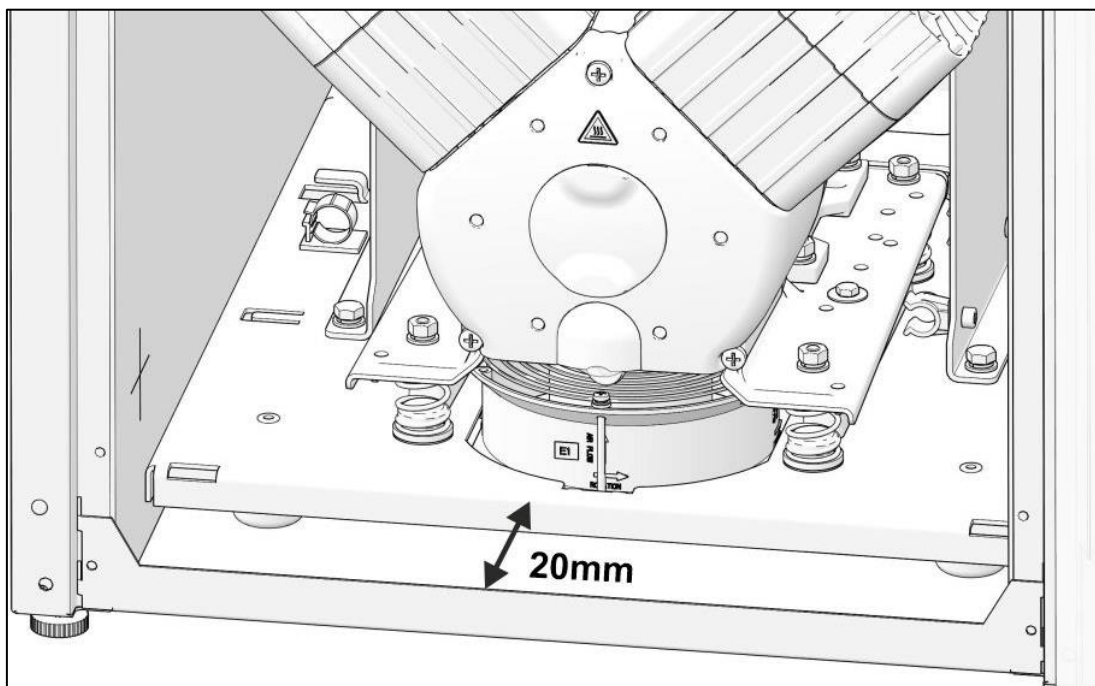


Fig. 14: Positionnement du compresseur DK50 2V/M dans l'armoire

- Raccorder le manomètre de l'armoire au compresseur selon le chapitre 12.2.
- Raccorder l'écran dans la porte avant de l'armoire (Fig. 15), et fixer le cordon à l'écran dans les attaches (Fig. 16).



Fig. 15: Branchement du connecteur de l'écran

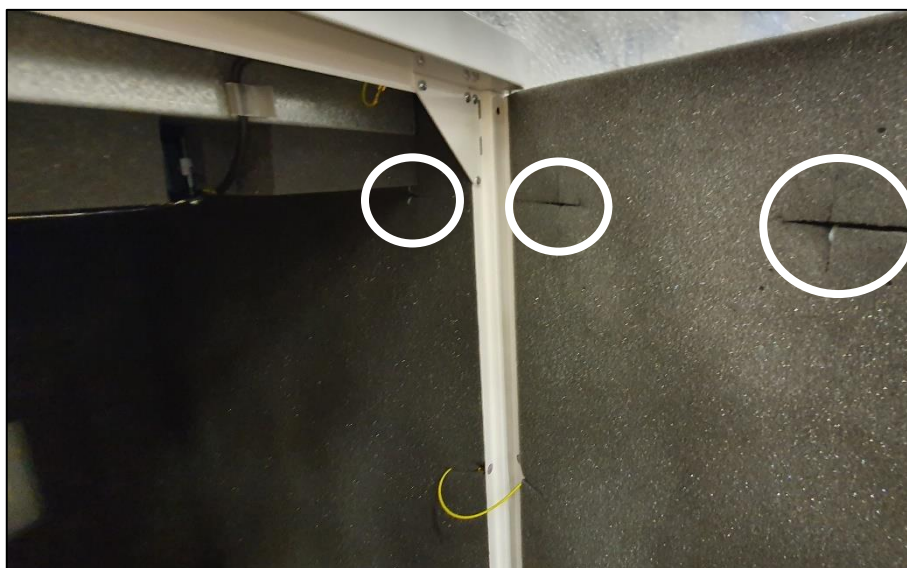


Fig. 16: Position des pinces dans l'armoire

15. MISE EN SERVICE

- Assurez-vous de retirer les stabilisateurs de transport.
- Vérifiez que tous les raccords de tuyau d'air comprimé sont corrects. (voir Chap. 12)
- Vérifiez que le raccordement au secteur est correct. (voir Chap. 13)
- Vérifiez la position du disjoncteur, il doit être en position « I ». Si le commutateur principal (2) est en position « 0 », mettez-le en position « I ». (Fig. 17)
- Pour les compresseurs montés en armoire, faites tourner le commutateur (5) situé sur la face avant de l'armoire en position « I » ; un voyant vert indique que l'équipement est en marche. (Fig. 17)

- Vérifiez le branchement entre le tuyau du manomètre de l'armoire et le bloc pneumatique du compresseur.
- Vérifiez le raccordement de la cuve de collecte des condensats (voir Chap. 12.3).
- Vérifiez le branchement de l'écran sur la porte avant de l'armoire.
- Réglez la langue, l'heure et le mode de séchage (voir Chap. 20.2) sur l'écran du compresseur.

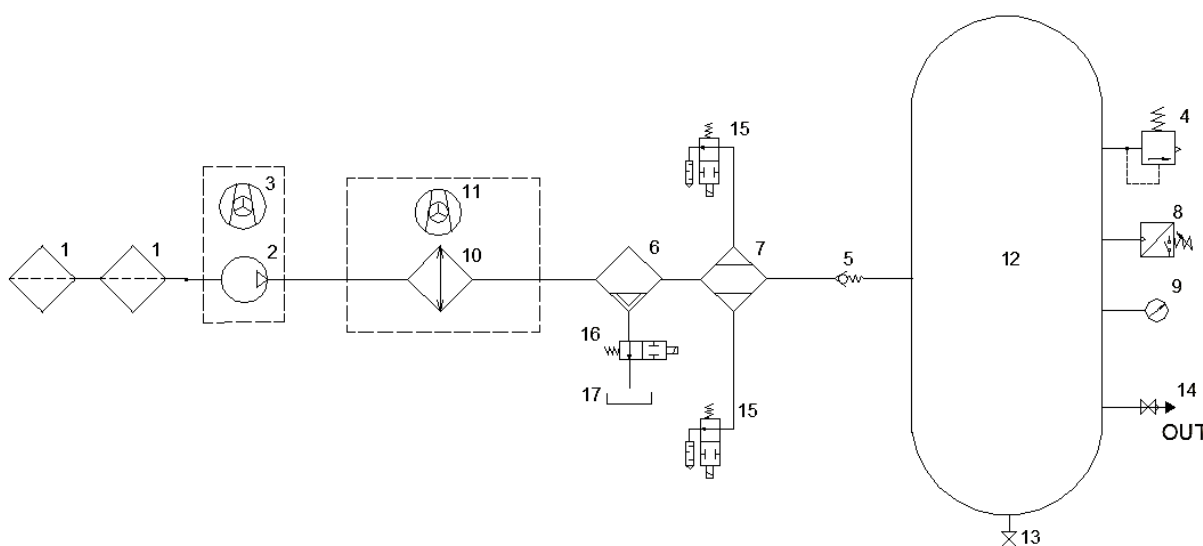


Le compresseur n'est pas doté d'une alimentation électrique de secours.

16. SCHÉMAS PNEUMATIQUES ET ÉLECTRIQUES

16.1. Schéma pneumatique

DK50 2V/M, DK50 2V S/M



Description du schéma pneumatique :

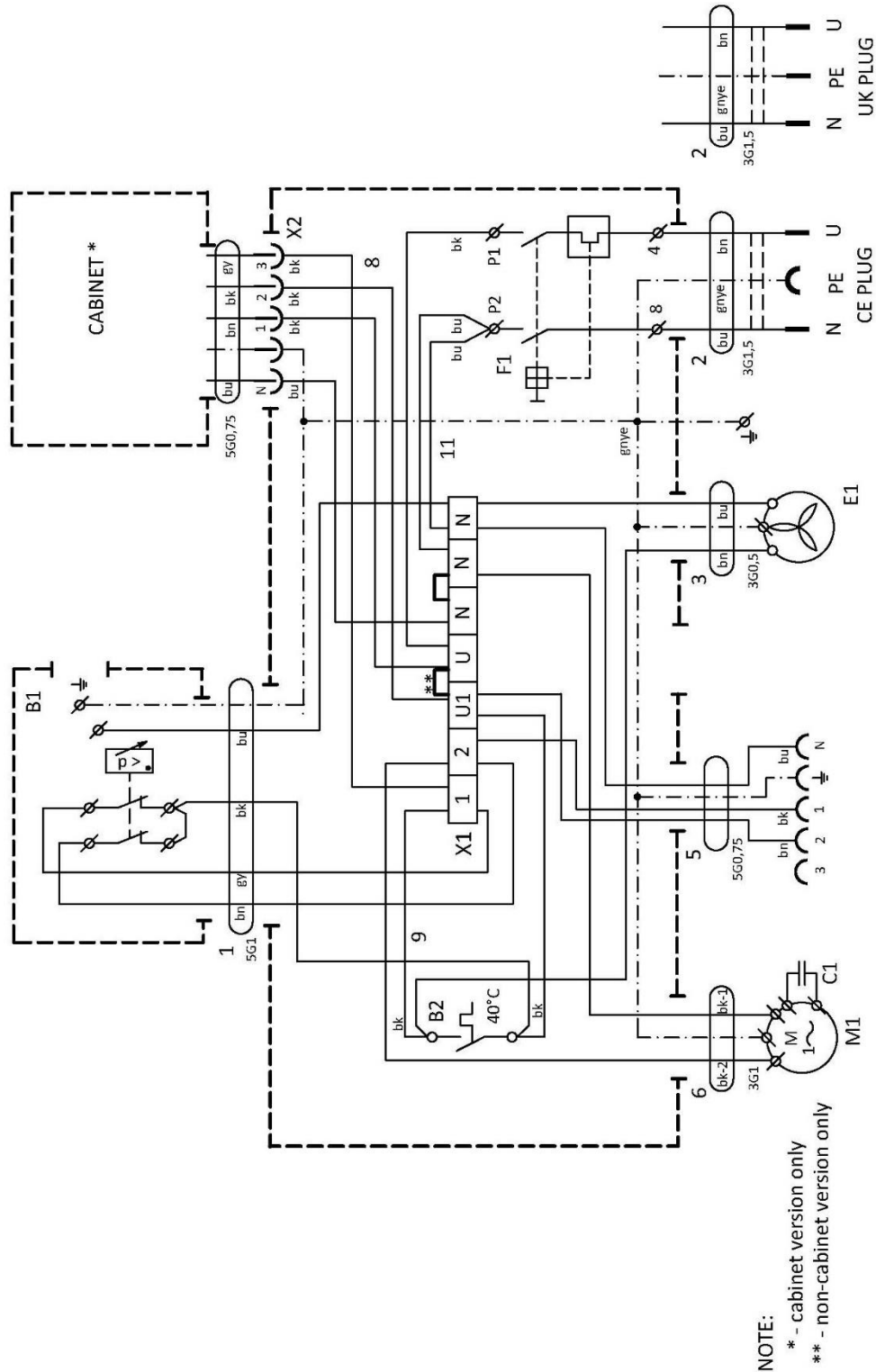
- | | |
|---------------------------|---------------------------------------|
| 1 Filtre d'entrée | 10 Refroidisseur |
| 2 Compresseur | 11 Ventilateur de refroidissement |
| 3 Ventilateur | 12 Réservoir d'air |
| 4 Soupape de sûreté | 13 Soupape de vidange |
| 5 Clapet anti-retour | 14 Valve d'échappement |
| 6 Séparateur du condensat | 15 Electrovanne – régénération |
| 7 Sécheur | 16 Électrovanne de purge du condensat |
| 8 Pressostat | 17 Cuve de collecte de condensat |
| 9 Manomètre | |

16.2. Schémas électriques

DK50 2V S/M

1/N/PE 230 V, 50/60 Hz

OBJET ÉLECTRIQUE de 1ère CATÉGORIE



Remarque:

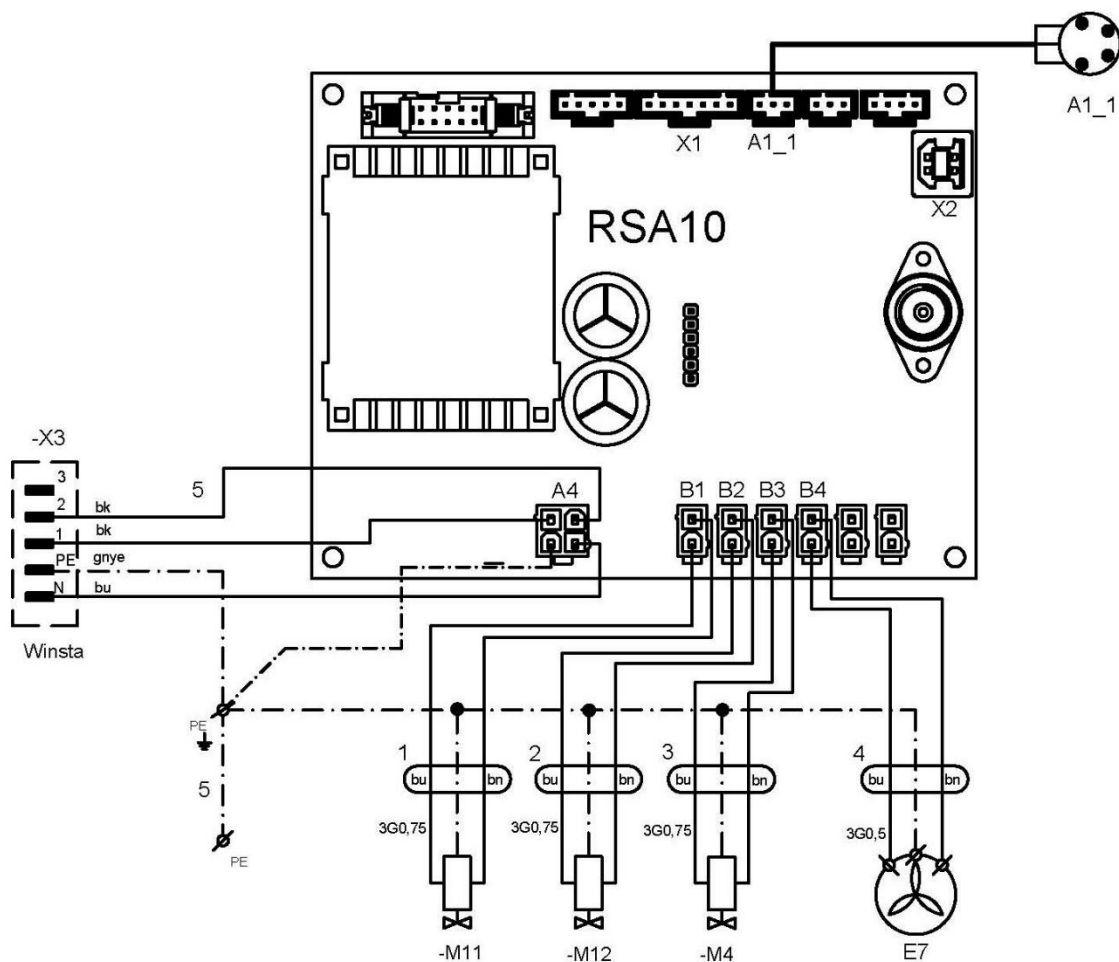
- Connecter le cavalier uniquement pour les modèles de compresseur non installés dans des armoires (voir chap. 23.10)

AD140

1/N/PE ~ 230V, 50Hz / 230V, 60Hz

~ 120V, 60Hz

OBJET ÉLECTRIQUE de 1ère CATÉGORIE



Remarque:

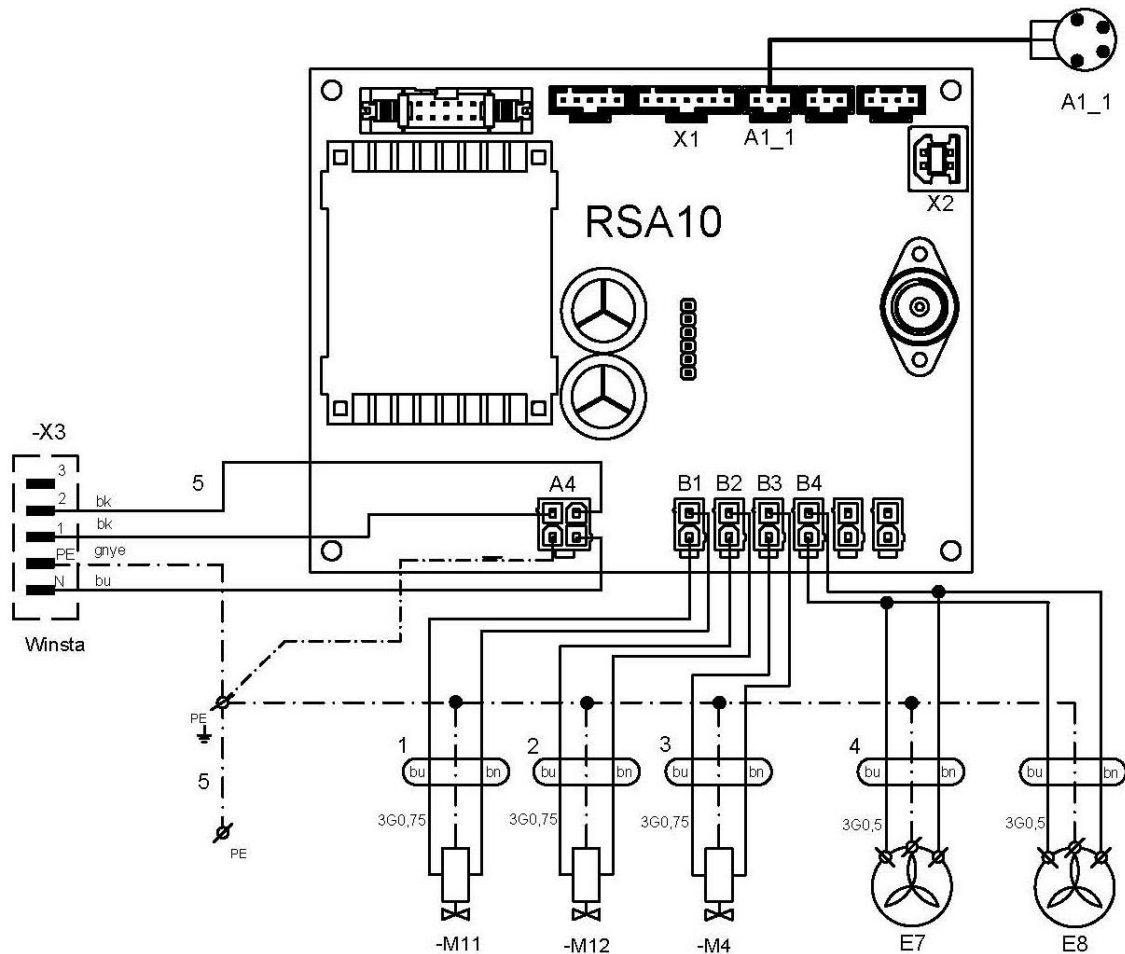
- Le détecteur de point de rosée (A1_1) n'est pas inclus avec le sèche-linge ; veuillez contacter votre fournisseur pour plus d'informations.

AD280

1/N/PE ~ 230V, 50Hz / 230V, 60Hz

~ 120V, 60Hz

OBJET ÉLECTRIQUE de 1ère CATÉGORIE

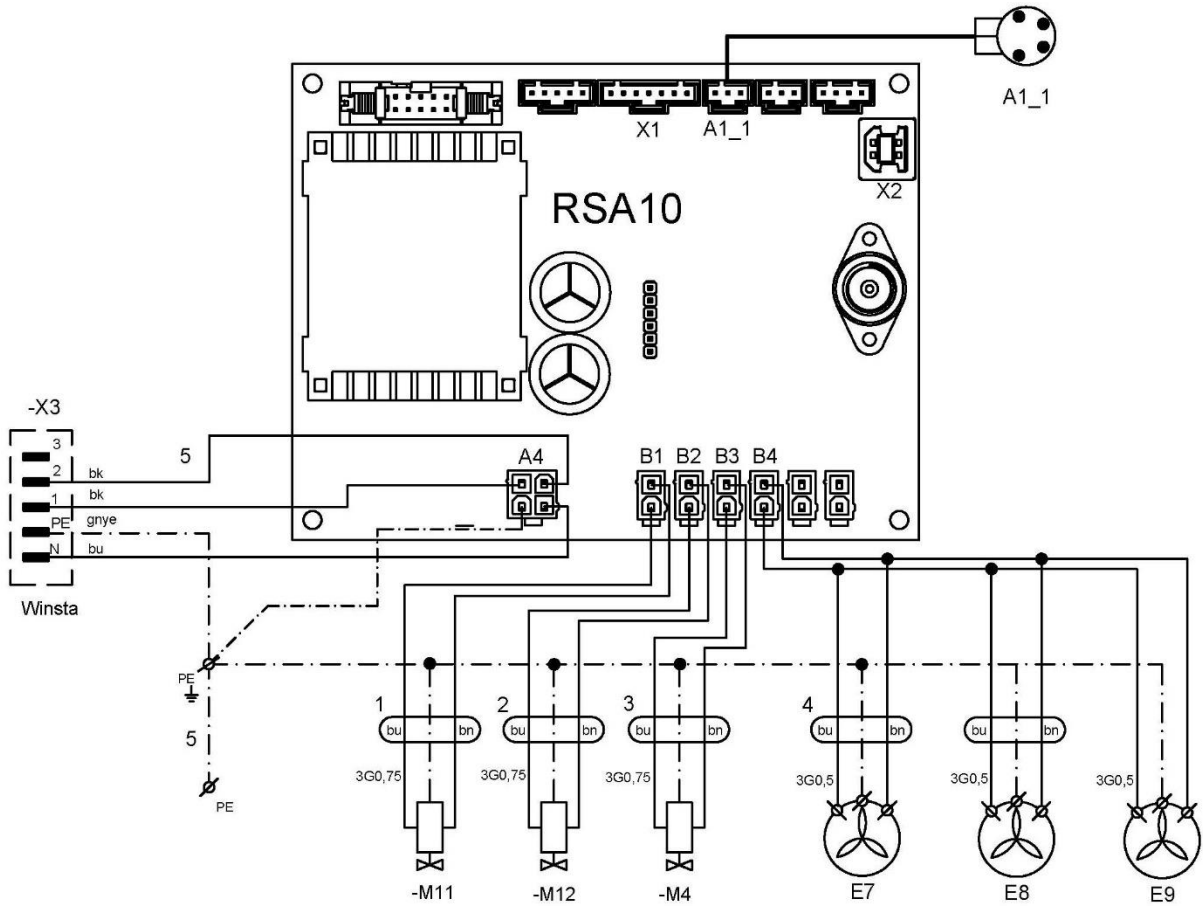
**Remarque:**

- Le détecteur de point de rosée (A1_1) n'est pas inclus avec le sèche-linge ; veuillez contacter votre fournisseur pour plus d'informations.

AD500

1/N/PE ~ 230V, 50Hz / 230V, 60Hz
 ~ 120V, 60Hz

OBJET ÉLECTRIQUE de 1ère CATÉGORIE



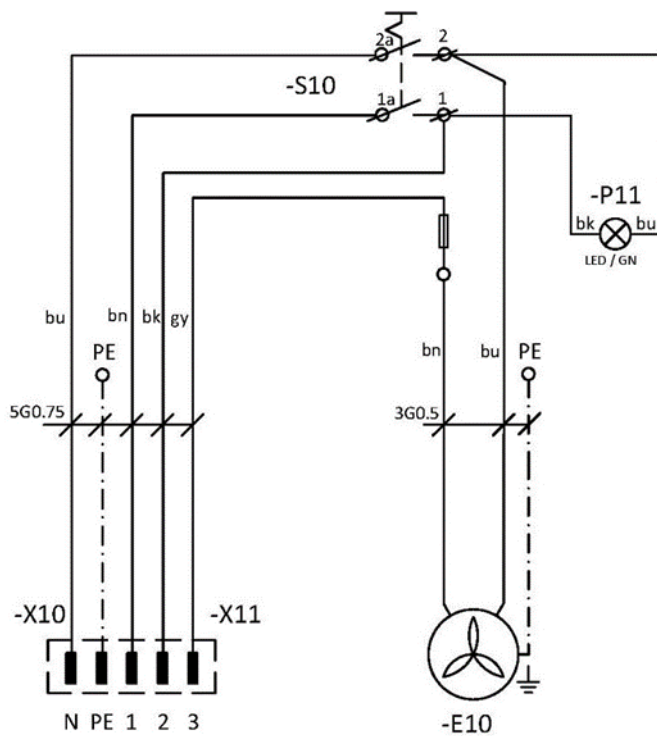
Remarque:

- Le détecteur de point de rosée (A1_1) n'est pas inclus avec le sèche-linge ; veuillez contacter votre fournisseur pour plus d'informations.

Armoire de compresseur

1/N/E 230 V, 50 Hz

OBJET ÉLECTRIQUE de 1ère CATÉGORIE



Description du schéma électrique:

M1	Moteur du compresseur	F1	Commutateur du disjoncteur
E1	Ventilateur du compresseur	S10	Commutateur
E7-E9	Ventilateur du sécheur	P11	Indicateur
E10	Ventilateur de l'armoire	RSA 10	Dispositif de commande
B2	Commutateur de température	M11,M12	Electrovanne – régénération
X10,X11	Raccord	M4	Électrovanne de décharge
B1	Pressostat	X2, X3	Prise
X1	Boîte à bornes	A1_1	Raccord du détecteur de point de rosée

FONCTIONNEMENT

SEUL UN PERSONNEL FORMÉ EST AUTORISÉ À FAIRE FONCTIONNER L'ÉQUIPEMENT !



Risque de brûlure ou d'incendie.

Les pièces de la pompe peuvent atteindre des températures dangereuses en cas de contact avec des personnes ou des matériaux pendant le fonctionnement du compresseur.



Attention – Le compresseur est contrôlé automatiquement.

Démarrage automatique : lorsque la pression dans le réservoir baisse et s'approche de la limite inférieure du pressostat, le compresseur se met automatiquement en marche. Le compresseur s'arrête automatiquement lorsque la pression dans le réservoir d'air atteint le niveau de pression d'arrêt.



Risque d'endommagement des composants pneumatiques.

Les réglages de la pression de travail du pressostat effectués par le fabricant ne peuvent pas être modifiés. Le fonctionnement du compresseur à une pression de travail inférieure à la pression de commutation indique une forte consommation d'air (voir chapitre Dépannage).



Risque de dommages au sécheur.

Le sécheur risque d'être endommagé en cas d'une utilisation à une température ambiante supérieure à la température de fonctionnement maximale indiquée dans les caractéristiques techniques.



Pour obtenir des performances de séchage optimales, vous devez absolument respecter les conditions d'utilisation indiquées.

Lorsque le sécheur fonctionne à une pression inférieure à la pression de travail minimum, les performances de séchage et le point de rosée atteints diminuent.



En cas d'utilisation prolongée du compresseur, la température ambiante du boîtier peut dépasser 40 °C. À ce stade, le ventilateur de refroidissement s'allume automatiquement. Le ventilateur s'arrête une fois que l'espace est refroidi à environ 32 °C.

17. ALLUMAGE DU COMPRESSEUR

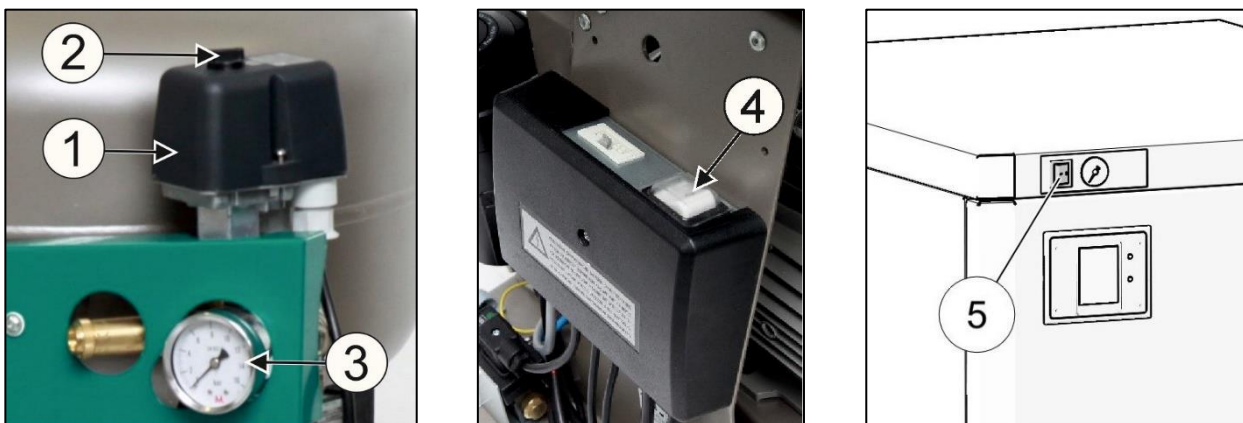
Démarrez le compresseur (sans armoire) au niveau du pressostat (1) en plaçant le sélecteur (2) sur la position « I ». Le compresseur démarre et remplit le réservoir jusqu'à la pression d'arrêt, ce qui arrête ensuite le compresseur.

Démarrez le compresseur (avec armoire) au niveau du commutateur (5) situé à l'avant de l'armoire. Cette opération démarre le compresseur et remplit le réservoir jusqu'à la pression d'arrêt, ce qui arrête ensuite le compresseur.

Le compresseur fonctionne en mode automatique et le pressostat commande sa mise en marche et son arrêt en fonction de la consommation d'air comprimé.

Vérifiez les valeurs de la pression de mise en marche et d'arrêt à l'aide du manomètre (3). Une tolérance de $\pm 10\%$ est acceptable. La pression du réservoir d'air ne doit pas dépasser la pression de fonctionnement autorisée.

Fig. 17: Allumage du compresseur



- **Compresseur** – lors de la première mise en service, le compresseur remplit le réservoir d'air jusqu'à ce que la pression de commutation et le pressostat arrêtent le compresseur. Le compresseur fonctionne en mode automatique et le pressostat commande sa mise en marche et son arrêt en fonction de la consommation d'air comprimé.
- Lorsque le compresseur est en fonctionnement, l'air comprimé passe à travers un refroidisseur et un sécheur, qui éliminent l'humidité de l'air comprimé.
- Les condensats sont également soufflés hors de la purge du sécheur, faisant ainsi un bruit de sifflement lorsque le compresseur s'arrête ou lorsque les chambres de séchage sont interverties.



Risque d'endommagement des pièces pneumatiques.

Le pressostat (1) a été réglé par le fabricant et tout autre réglage ne peut être effectué que par un technicien qualifié et formé par le fabricant.

18. ARRÊT DU COMPRESSEUR

- L'arrêt du compresseur pour entretien ou pour toute autre raison s'effectue à partir du commutateur d'alternance (1) en tournant le sélecteur (2) sur la position « 0 » (Fig. 17) et **en débranchant la fiche secteur de la prise**. Cette opération permet de mettre le compresseur hors tension.
- Purgez à zéro la pression dans le réservoir d'air en ouvrant le clapet de purge.

SECHEUR AD

19. PRINCIPE DE FONCTIONNEMENT

Le sécheur est commandé par un signal provenant du pressostat du compresseur.

Lorsque le compresseur fonctionne, l'air comprimé entre dans le refroidisseur où il est refroidi, et une partie de l'humidité condensée est séparée dans le séparateur cyclique intégré. L'électrovanne V3 est située au fond du séparateur, et elle évacue le condensat du séparateur à intervalles réguliers.

L'air passe ensuite dans la chambre de la vanne logique OR1 qui détecte la pression. Si la pression dans la chambre de la vanne n'atteint pas $P1 = 3$ bars, les électrovannes de régénération V1 et V2 (de type normalement fermé) restent fermées et la régénération n'est pas déclenchée. Si la pression dans la chambre de la vanne logique atteint 3 bars, la commutation de la chambre est déclenchée grâce à la logique décrite au point 19.1.

Lorsque le signal du pressostat du compresseur se désactive, les vannes de régénération V1 et V2 s'ouvrent pendant une courte période pour évacuer l'agrégat du compresseur et pour ventiler la chambre de séchage.

La ventilation et la régénération du sécheur s'effectuent via le tuyau partagé avec la purge du séparateur des condensats et pour cette raison, la sortie des condensats ne peut pas être raccordée directement à un drain.

19.1. Régénération du sécheur

La régénération du sécheur est initiée lorsque la pression de travail $P1 = 3$. Pendant la régénération, les vannes V1 et V2 basculent cycliquement, avec un court délai (dT) pour égaliser les pressions dans les chambres et pendant lequel les deux vannes sont fermées avant chaque cycle de commutation.

La pression de travail s'effectue dans la chambre 1 et la chambre est dans la phase de séchage, tandis que la pression atmosphérique est présente dans la chambre 2 et que cette chambre est dans la phase de régénération. La chambre est régénérée par l'air passant par la buse du sécheur.

19.2. Mode économie d'énergie „Energy saving“ (uniquement pour les modèles équipés d'un capteur de point de rosée)

Les sécheurs équipés d'un capteur de point de rosée disposent d'une commande supplémentaire sur l'air de purge permettant de maintenir le point de rosée défini.

Une fois que le point de rosée requis est atteint, la régénération s'arrête pour optimiser la quantité d'air de purge. Lorsque la régénération s'arrête, les vannes V1 et V2 sont fermées (et donc la purge de la chambre avec de l'air sec s'arrête).

Ils continuent à alterner selon leur intervalle standard pour égaliser la charge sur les chambres.

Si le point de rosée augmente, le mode économie d'énergie „Energy saving“ se désactive et le sécheur continue de fonctionner avec la régénération activée.

Durée du mode Régénération désactivée

Le mode économie d'énergie „Energy saving“ avec régénération désactivée est limité dans le temps. Un cycle avec la régénération standard des deux chambres est ajouté après la fin d'un intervalle défini (4 commutateurs de chambre).

19.3. Système d'alerte

Toutes les alertes de l'appareil sont classées en tant qu'alertes techniques de faible priorité conformément à la norme EN 60601-1-8. Chaque alerte est indiquée au moyen d'un signal visuel correspondant (voir Chapitre 20) qui clignote. Appelez un prestataire de service agréé pour effectuer

les réparations requises en cas de panne.

Les états d'alerte indiquent une défaillance potentielle de l'appareil. Les signaux d'alerte ne peuvent donc pas être désactivés.

Tous les signaux d'alerte sont intermittents – les signaux d'alerte sont désactivés une fois que le facteur à l'origine de l'alerte n'existe plus.

Position de l'opérateur. Aucune position spécifique n'est requise pour l'opérateur. L'opérateur peut rester à portée de vue d'un signal d'avertissement visuel en fonction des conditions d'utilisation réelles.

Pression faible. Ce signal est actif lorsque le capteur de pression du sècheur détecte une pression faible dans le sècheur sous la limite définie de 3 bar. Une fuite d'air du compresseur/sècheur, un dysfonctionnement des électrovannes de contrôle sur le sècheur ou une erreur logicielle peuvent activer cette alarme pendant le fonctionnement.

Pression élevée. Ce signal s'active lorsque le capteur de pression du sècheur détecte une augmentation de la pression au-delà de la limite supérieure. L'agrégat s'arrêtera alors et restera à l'arrêt jusqu'à diminution de la pression. Si l'agrégat ne s'arrête pas, la surpression est évacuée par la soupape de sécurité sur le réservoir d'air du compresseur.

Point de rosée élevé. Ce signal s'active lorsque le capteur de point de rosée détecte une valeur de point de rosée élevée.

Expiration de l'intervalle d'entretien. Ce signal est activé jusqu'à ce que l'entretien soit effectué et que l'intervalle soit réinitialisé, ou qu'un nouvel intervalle d'entretien soit saisi.

20. INTERFACE / PARAMETRES UTILISATEUR

20.1. Signification des symboles à l'écran



Symbole représentant le manuel d'utilisation, ou indiquant de lire le manuel d'utilisation.



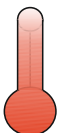
Symbole indiquant la température ambiante (à partir de 25 °C) liée au mode sélectionné.

Le programme ajuste le pré-remplissage de la chambre dans le mode donné.



Symbole indiquant la température ambiante (de 25°C à 30°C) liée au mode sélectionné.

Le programme ajuste le pré-remplissage de la chambre dans le mode donné.



Symbole indiquant la température ambiante (supérieure à 30°C) liée au mode sélectionné.

Le programme ajuste le pré-remplissage de la chambre dans le mode donné.



Retour au menu principal sur les 4 écrans principaux.



Retour



Symbole pour l'intervalle d'entretien



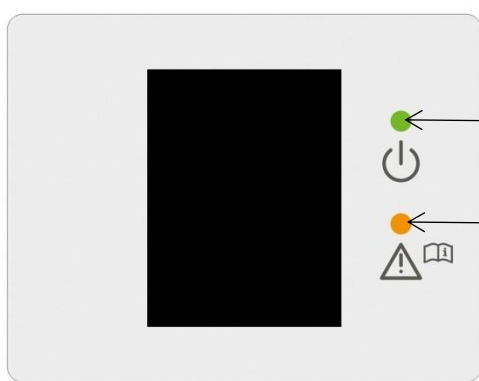
Symbole indiquant que la chambre de séchage est en cours de régénération



Symbole indiquant que la chambre de séchage est en cours de séchage



Symbole de pré-remplissage de la chambre – égalisation de la pression dans les chambres.

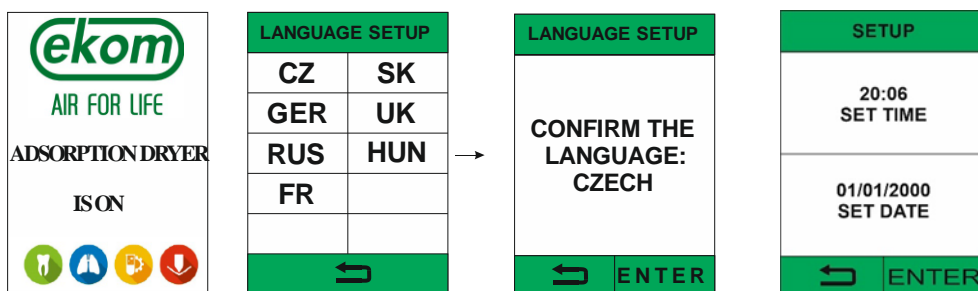


Indication que l'appareil est en cours d'utilisation

Indication d'un état d'alarme
(activée jusqu'à ce que l'état d'alarme n'existe plus)

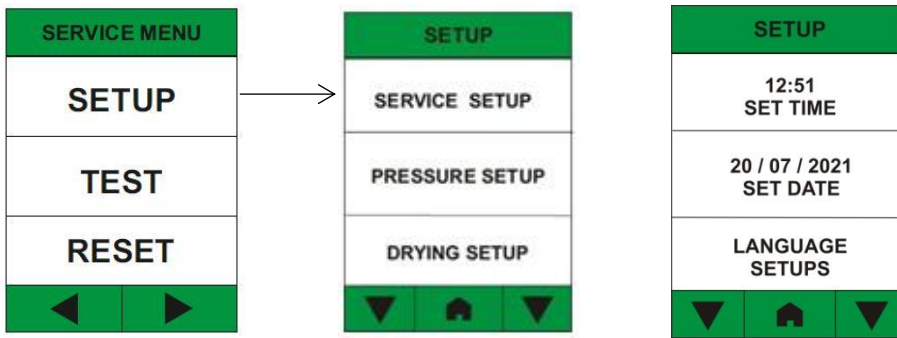
20.2. Paramètres initiaux de l'interface utilisateur

Les choix de la langue, de l'heure et de la date apparaissent lorsque le programme est lancé pour la première fois. Le technicien de service sélectionne la langue, l'heure et la date lors de l'installation en fonction du lieu d'installation du sécheur. Le programme enregistre et mémorise ce réglage. L'option n'apparaît pas lorsque vous redémarrez le programme. La confirmation de cette option lancera également le décompte des heures de service.



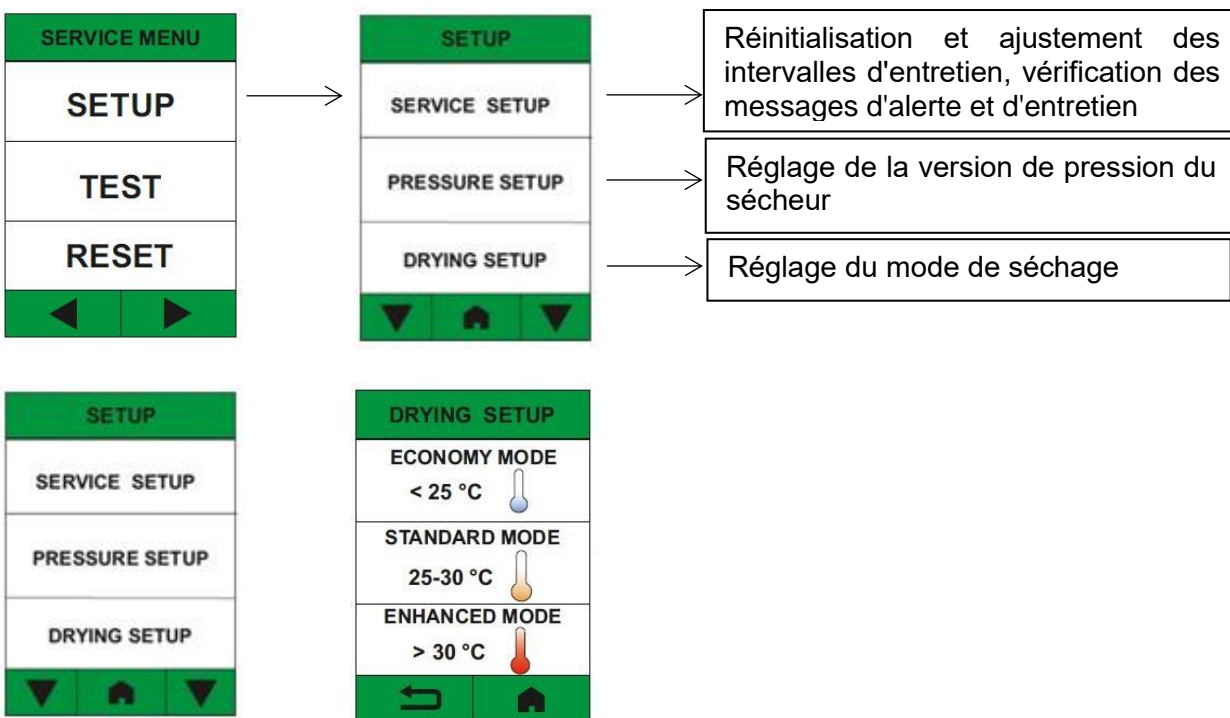
20.3. Réglage de la date et de l'heure lors de la mise en service

Il est recommandé de régler la date et l'heure lors de la mise en service. Ces paramètres doivent être modifiés dans le menu de service de la section SETUP. L'accès au menu de service est protégé par un code (1992). Dans SETUP (Configuration), vous devez appuyer sur la flèche vers le bas pour régler la date et l'heure. De la même façon, il est possible de réinitialiser la langue de l'interface utilisateur via LANGUAGE SETUP (Configuration de la langue).



20.4. Réglage du mode de séchage lors de la mise en service

Il est recommandé de paramétrer le mode de séchage d'air lors de la mise en service. Ces paramètres sont modifiés dans le menu de service de la section SERVICE SETUP (Configuration de service). L'accès au menu de service est protégé par un code.



Le mode de séchage est défini en fonction de la plage de pression qu'utilisera l'appareil et de la version du compresseur (avec ou sans armoire).

- compresseur sans armoire $t_0 < 25\text{ °C}$ - réglé en mode ECONOMY (économie)
- compresseur sans armoire $t_0 = 25\text{ °C} - 30\text{ °C}$ - réglé en mode STANDARD
- compresseur sans armoire $t_0 > 30\text{ °C}$ - réglé en mode ENHANCED (amélioré)
- compresseur en armoire - réglé sur le mode ENHANCED (amélioré)

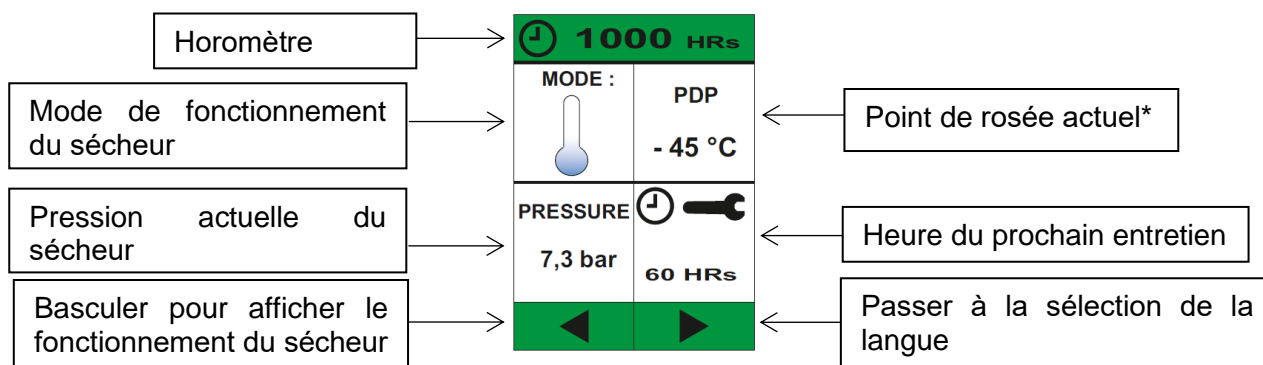
t_0 - température ambiante

21. ÉCRANS PRINCIPAUX

L'écran d'accueil s'ouvre une fois que vous réglez la langue de l'interface utilisateur. Il existe quatre écrans principaux accessibles à partir de l'écran d'accueil.

Les flèches au bas de l'écran sont utilisées pour naviguer entre les différents écrans.

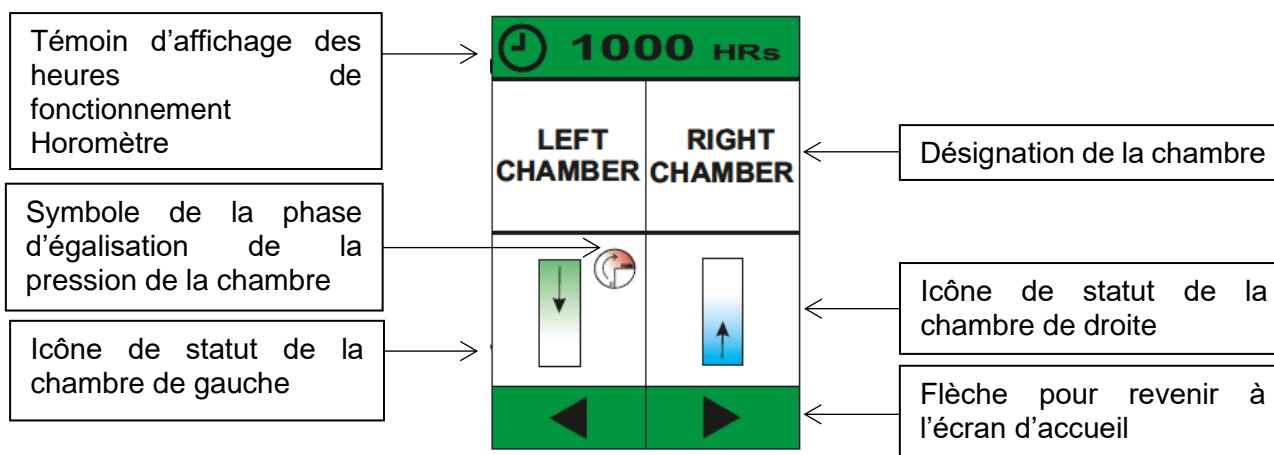
21.1. Écran d'accueil



(*cette information ne s'affiche que si le compresseur est équipé d'un capteur de point de rosée)

- Les informations de base et les paramètres mesurés s'affichent sur l'écran d'accueil du sécheur. L'indicateur des heures de fonctionnement du sécheur est situé sur la partie supérieure de l'écran. L'écran d'accueil comporte 4 zones de texte principales qui affichent les informations suivantes:
- Mode de fonctionnement du sécheur (voir Chap. 20.1)
- Pression actuelle dans le sécheur (la pression de travail minimale pour activer la régénération du sécheur est de 3 bars)
- Valeur actuelle du point de rosée de la pression (uniquement pour les compresseurs équipés de capteurs de point de rosée)
- Temps restant jusqu'au prochain intervalle d'entretien (voir Chap. 22.1, 22.2 – intervalles de service)

21.2. Écran de fonctionnement du sécheur



L'indicateur des heures de fonctionnement du sécheur est situé sur la partie supérieure de l'écran. L'écran de fonctionnement du sécheur est également divisé en 4 vignettes, qui décrivent les cycles de fonctionnement de la chambre de séchage à l'aide d'une représentation graphique des états de fonctionnement de chaque chambre.



Symbole indiquant que la chambre de séchage est en cours de régénération



Symbole indiquant que la chambre de séchage est en cours de séchage



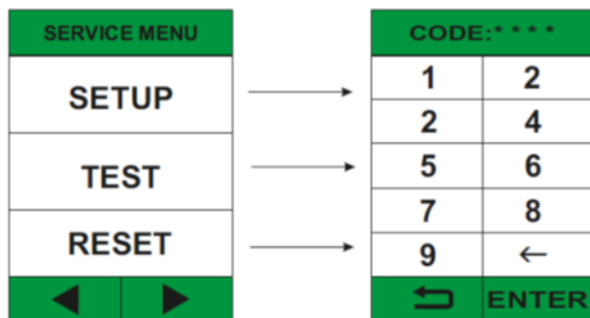
Symbole de pré-remplissage de la chambre – égalisation de la pression dans les chambres.

21.3. Écran des paramètres de langue



L'écran des paramètres de langue est l'un des écrans principaux.

21.4. Écran du menu Entretien



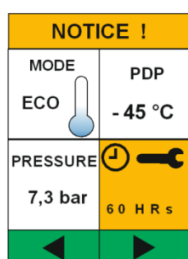
Le menu Entretien est exclusivement destiné au personnel d'entretien. L'accès aux différents éléments du menu est protégé par un mot de passe 1992.

22. INDICATION DES ETATS DE MAINTENANCE ET D'ALARME

Le contrôleur du sécheur par adsorption est capable de mesurer des paramètres sélectionnés (pression et point de rosée sous pression dans les versions avec capteur de point de rosée) et d'évaluer les états de fonctionnement de base du sécheur.

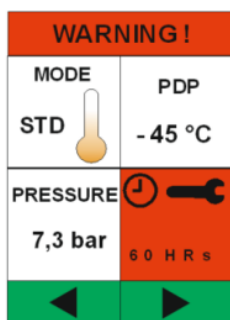
Sur la base des paramètres mesurés et des détails relatifs à l'entretien, le contrôleur affiche des informations sur les défauts grâce aux notifications et avertissements suivants.

22.1. Notification - Prochain intervalle d'entretien



- 100 heures de fonctionnement avant le prochain intervalle d'entretien, **une notification jaune apparaît « Notification ! » („Notice!“)**. La vignette d'entretien s'allume également en orange.
- **Les heures restantes jusqu'au prochain intervalle d'entretien s'affichent également.**
- **L'avertissement s'affiche jusqu'à ce que l'entretien soit terminé et que l'intervalle d'entretien soit réinitialisé.**

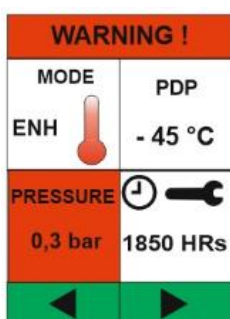
22.2. Avertissement - Intervalle d'entretien dépassé



- Un avertissement rouge s'affiche « Avertissement ! » („Warning!“).une fois l'intervalle d'entretien dépassé. La vignette d'entretien s'allume également en rouge.
- L'avertissement s'affiche jusqu'à ce que l'entretien soit terminé et que l'intervalle d'entretien soit réinitialisé.
- Les heures restantes avant le prochain intervalle d'entretien s'affichent également.
- Une liste d'avertissements est enregistrée dans le « Journal des avertissements » („Warning log“).
- Le sécheur continue de fonctionner normalement

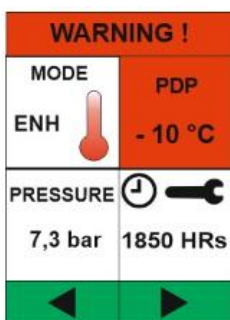
22.3. Conditions d'alarme

Haute/basse pression



- Un avertissement rouge s'affiche « Avertissement ! » („Warning!“) si une basse pression (< 3 bars) ou une pression élevée (> 8,5 bars, ou > 10,5 bars selon la version de pression) est détectée. Dans le même temps, la vignette de la pression actuelle s'allume en rouge.
- L'avertissement s'affiche tant que la condition d'alarme persiste.
- Une liste d'avertissements est enregistrée dans le « Journal des avertissements » („Warning log“).
- Le sécheur ne fonctionne pas normalement, la régénération n'est pas initiée, le compresseur doit être arrêté.

Point de rosée élevé



- Cet avertissement est accessible uniquement sur les sécheurs équipés de capteurs de point de rosée
- Un avertissement rouge s'affiche « Avertissement ! » („Warning!“) si un point de rosée élevé est détecté (> - 20 °C, ou. > - 40 °C en fonction de la version du sécheur). Dans le même temps, la vignette de point de rosée de la pression actuelle s'allume en rouge.
- L'avertissement s'affiche tant que la condition d'alarme persiste.
- Une liste d'avertissements est enregistrée dans le « Journal des avertissements » („Warning log“).
- Le sécheur ne fonctionne pas correctement ou est utilisé en dehors des conditions d'utilisation recommandées, le compresseur doit être arrêté.



Une alarme de point de rosée élevé peut apparaître lorsque l'unité est initialement mise en service. L'alarme persistera jusqu'à ce que le sécheur se régénère. Le temps de régénération du sécheur dépend de nombreux paramètres d'utilisation de l'appareil. La régénération ne devrait pas prendre plus de 24 heures de fonctionnement du sécheur. Si le sécheur ne parvient pas à atteindre le point de consigne du point de rosée au cours des premières 24 heures, veuillez contacter le personnel de service.

22.4. Écran « Appeler le service » „Call Service“



- L'écran « Appeler le service » „Call Service“ alterne avec l'écran principal si une notification ou un avertissement se produit.

MAINTENANCE DE L'APPAREIL**23. MAINTENANCE DE L'APPAREIL**

L'opérateur doit régulièrement effectuer des vérifications de l'appareil dans les intervalles définis par la réglementation applicable. Les résultats des tests doivent être enregistrés.

L'appareil a été conçu et fabriqué de manière à réduire au minimum les travaux d'entretien. Vous devez effectuer les tâches suivantes pour préserver le fonctionnement correct et fiable du compresseur.



Risque d'interférence non autorisée.

Les travaux de réparation en dehors du cadre de la maintenance standard (voir chapitre 23.1) ne peuvent être effectués que par un technicien qualifié (une entité autorisée par le fabricant) ou par le service client du fabricant.

Les travaux d'entretien standard (voir chapitre 23.1) ne peuvent être effectués que par le personnel qualifié de l'opérateur.

Utilisez uniquement des pièces et accessoires de rechange approuvés par le fabricant.



Risque de blessures ou de dommages matériels.

Avant de commencer l'entretien du compresseur, il est nécessaire de :

- **vérifier s'il est possible de débrancher le compresseur de l'appareil afin d'éviter tout risque de blessures corporelles lors de l'utilisation de l'appareil ou tout autre dommage matériel ;**
- **éteindre le compresseur ;**
- **le débrancher du secteur (en tirant le cordon de la prise de courant) ;**
- **purger l'air comprimé du réservoir d'air.**



La purge de l'air comprimé présente un risque de blessures.

Portez des protections oculaires (lunettes de protection) lorsque vous purgez l'air comprimé du circuit d'air comprimé (réservoir d'air).



Risque de brûlure.

Les composants (tête, cylindre, tuyau de pression, etc.) sont très chauds pendant et peu après le fonctionnement du compresseur - évitez de les toucher!

Laissez l'appareil refroidir avant toute opération de maintenance, d'entretien ou de raccordement/déconnexion de l'air sous pression !



Si vous déconnectez le conducteur de mise à la terre pendant l'entretien, reconnectez-le dans sa position initiale une fois l'entretien terminé.

- Pour tout travail d'entretien ou de réparation, retirez le compresseur de l'armoire par un mouvement de traction (sur des roulettes autant que le permet la longueur du câble entre le compresseur et l'armoire). (Voir chap. 23) La maintenance requise ou le travail de réparation peuvent être effectués.
- Si le cordon entre le compresseur et l'armoire est débranché (en tirant sur la prise secteur, voir chap. 13.2), alors le compresseur ne fonctionne pas. Pour remettre le compresseur en marche, veuillez vous référer aux chapitres 13.2, 23.10 ou 0.

Intervalle de temps ^{b)}	50 Hz	60 Hz	Une fois par jour	Une fois par semaine	Une fois par an	Une fois tous les 2 ans	4000 h	6000 h	8000 h	10000 h	12000 h	16000 h	20000 h	24000 h	Chap.	Nomenclature des pièces de rechange	Effectué par
							3200 h	4800 h	6400 h	8000 h	9600 h	12800 h	16000 h	20000 h			
Étalonnage du capteur de point de rosée					x									23.9			le technicien qualifié
Remplacement des cassettes par un milieu adsorbant ^{c)}									x			x			603022476-000		
Remplacement de la bille de soupape logique du sécheur									x			x			069000317-000		
Remplacement de l'électrovanne du sécheur ^{d)}												x			025300117-000		
Réalisation des « tests répétés » conformément à la norme EN 62353					x										-		

a) les données sont présentées en heures ; si elles ne sont pas disponibles, elles sont présentées en années

b) Intervalle de temps réduit de 20 % pour les variantes de compresseur 60 Hz.

(2000h./1600h., 4000h./3200h., 6000h./4800h., 8000h./6400h., 10000h./8000h., 12000h./9600h.)

c) Selon la première éventualité : 4 ans/8 000 heures.

d) Selon la première éventualité : 8 ans/20 000 heures.

23.2. Vérification du fonctionnement de l'appareil

- Contrôle de l'état de l'agrégat – les agrégats doivent fonctionner normalement sans vibrations ou bruits excessifs. Réglez tout problème ou contactez le personnel d'entretien si vous détectez un problème.
- Contrôle visuel du fonctionnement du ventilateur – assurez-vous que les ventilateurs sont en marche lors du fonctionnement des agrégats. Réglez tout problème ou contactez le personnel d'entretien si vous détectez un problème.
- Vérifiez que le câble d'alimentation et les tuyaux de raccordement d'air comprimé ne sont pas endommagés. Remplacez les composants endommagés ou contactez le personnel d'entretien.
- Contrôle de la température ambiante – la température ambiante doit être inférieure à la limite de température (40 °C). Refroidissez l'espace si la température est élevée.
- Ouvrez le bouchon de la cuve de collecte de condensats et vidangez le condensat.

23.3. Vérifiez l'étanchéité des raccords d'air comprimé et inspectez l'équipement

Test d'étanchéité

- Vérifiez les fuites d'air comprimé dans les conduites d'air pendant le fonctionnement – la pression fournie par le compresseur.
- Utilisez un analyseur de fuite ou de l'eau savonneuse pour vérifier la présence de fuites sur tous les joints et raccords. Resserrez ou refermez les branchements où des fuites sont présentes.

Inspection de l'équipement :

- Vérifiez l'état de fonctionnement normal et les niveaux sonores de l'agrégat du compresseur.
- Vérification du fonctionnement du ventilateur – les ventilateurs doivent fonctionner pendant les cycles de travail définis du compresseur.
- Vérification de la fonction du commutateur de température (B2) – chauffez le commutateur de température à une température supérieure à 40 °C (par exemple : à l'aide d'un pistolet thermique – Attention, évitez de l'utiliser sur des composants en plastique qui se trouvent à proximité, car il pourrait entraîner la déformation des matières plastiques). Ventilateur E1 - le compresseur doit être sous tension.
- Vérification de l'état des filtres – les filtres doivent être intacts et suffisamment propres.
- Vérifiez l'état de la pompe et assurez-vous qu'aucune saleté ne se trouve à l'intérieur du carter ou qu'aucun jeu du vilebrequin ne se produit.
- Remplacez toute pièce défectueuse en cas de défaillance.

23.4. Inspection des branchements électriques



Risque d'électrocution.

Inspectez les connexions électriques de l'appareil lorsqu'il est débranché du secteur.

- Vérifiez la fonction mécanique du commutateur principal.
- Vérifiez que le câble d'alimentation et les conducteurs ne sont pas endommagés.
- Vérifiez visuellement si les câbles sont connectés à la boîte à bornes.
- Vérifiez tous les raccords vissés du conducteur de protection PE mis à la terre vert-jaune.
- Inspection des connexions électriques sur le sècheur AD – voir le manuel d'entretien.

23.5. Purge de condensat



Un sol humide résultant d'un débordement du navire présente un risque de glissade.

Videz régulièrement le réservoir de récupération des condensats.



Risque de blessure.

Ne raccordez pas le tuyau d'évacuation des condensats directement sur à une purge des eaux usées !

Des passants risquent de se faire blesser.



Éteignez le compresseur à chaque fois avant de vider le réservoir !



Risque de blessure.

Ouvrez la soupape de vidange lentement et avec précaution. L'ouverture rapide de la soupape de vidange s'accompagne d'un bruit fort et d'une éjection incontrôlable du condensat accumulé.

Les condensats sont automatiquement évacués dans le réservoir de récupération des condensats.

- Surveillez le niveau de la cuve à l'aide des marques (en fonction du volume de la cuve), et videz-la au moins une fois par jour.



Fig. 18: Vérification de la cuve de collecte de condensats

Il est possible de vidanger le réservoir d'air à l'aide du soupape de vidange (1) situé sur le côté inférieur du réservoir d'air (Fig. 19), si nécessaire.

Éteignez le compresseur au niveau du réseau et réduisez la pression d'air dans l'appareil à un maximum de 1 bar, par exemple en évacuant l'air par les équipements connectés.

Utilisez un tuyau pour vidanger. Placez l'extrémité libre dans un récipient approprié, puis ouvrez la vanne afin d'évacuer le condensat du réservoir.

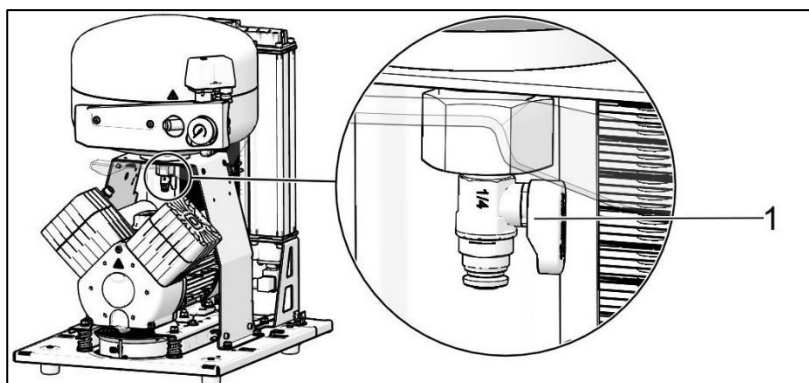


Fig. 19: Purge de condensat



Avant les vérifications suivantes, il est nécessaire:

- **Compresseurs avec armoire** - libérez le verrou de la porte et ouvrez la porte de l'armoire.

23.6. Contrôle de la soupape de sécurité

- Tournez la vis (2) de la soupape de sûreté (1) plusieurs fois à gauche jusqu'à ce que de l'air s'échappe de la soupape de sûreté.
- Laissez l'air s'échapper pendant un court instant.
- Tournez la vis (2) jusqu'à butée vers la droite, puis fermez la vanne.

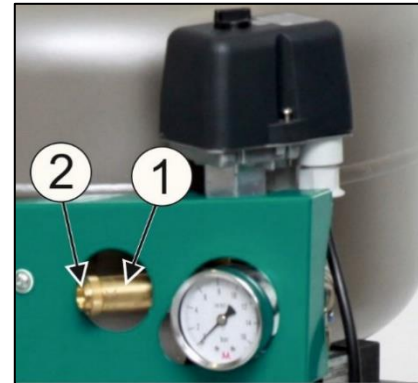


Fig. 20: Contrôle de la soupape de sécurité



L'endommagement de la soupape de sûreté pourrait faire monter la pression à des niveaux dangereux.

La soupape de sûreté ne doit pas être utilisée pour évacuer la pression du réservoir d'air. Le fonctionnement de la soupape de sécurité pourrait s'en trouver compromis. La vanne est réglée à la pression maximale autorisée par le fabricant.

Ne réglez jamais une soupape de sûreté.



La purge de l'air comprimé présente un risque de blessures.

Portez des lunettes de sécurité lors de l'inspection d'une soupape de sécurité.

23.7. Remplacement du filtre d'entrée et du préfiltre

Le filtre d'entrée (1) se trouve à l'intérieur du capot du carter du compresseur.

Remplacement du filtre d'entrée:

- Tirez le bouchon en caoutchouc (2) à la main.
- Retirez le filtre d'entrée encrassé (1).
- Insérez un nouveau filtre et refermez le bouchon en caoutchouc.

Remplacement du préfiltre:

- Retirez le préfiltre (3) à la main.

Remplacez l'élément, puis remettez-le en place.

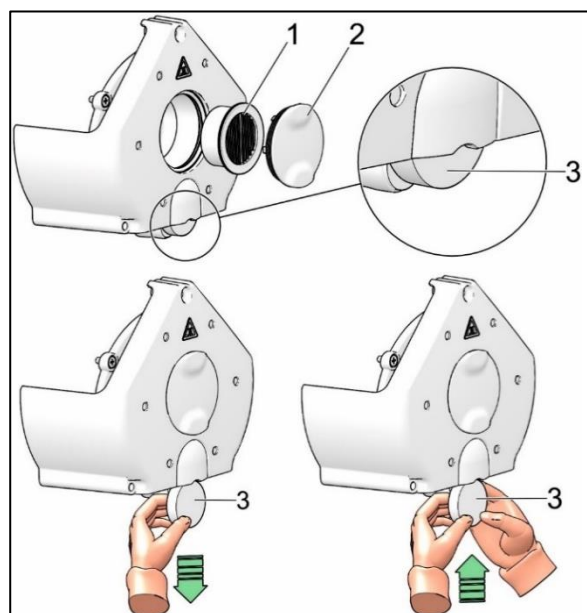


Fig. 21: Remplacement du filtre d'entrée

23.8. Inspection du refroidisseur et du ventilateur

Les composants, notamment le ventilateur du compresseur, le ventilateur du refroidisseur et le refroidisseur, doivent être maintenus propres pour un séchage efficace (Fig. 1). Retirez la poussière de la surface des ailettes de refroidissement et des ventilateurs en aspirant ou en soufflant l'air comprimé.

23.9. Étalonnage du capteur de point de rosée

Il est recommandé d'étalonner la sonde de point de rosée tous les 2 ans sur les compresseurs équipés de cette sonde. L'étalonnage est effectué par le fabricant (Vaisala) et doit être commandé en ligne.

Processus de commande de l'étalonnage de capteur :

- Rendez-vous sur le site Web www.vaisala.com, puis accédez à la section *Soutien (Services)* et sélectionnez *Services d'étalonnage et de réparation (Calibration and repair services)*.
- Indiquez ensuite le type de capteur (type de capteur: **DMT143**) et sélectionnez un type d'étalonnage, puis suivez les instructions indiquées.

23.10. Procédure de raccordement d'un compresseur déconnecté de l'armoire



Avant toute opération de maintenance ou de réparation, éteignez le compresseur et débranchez-le.

Pour bien fonctionner, le compresseur (sans armoire) exige que le cavalier soit toujours monté dans la barrette de fixation (Fig. 22 pos. B). Il remplace ensuite le commutateur sur l'armoire.



Si aucun cavalier n'est monté dans la barrette de fixation du compresseur (déconnecté de l'armoire), le compresseur ne fonctionne pas !

Si le cordon entre le compresseur et l'armoire est débranché (en tirant sur la prise secteur) et que le compresseur est retiré de l'armoire, ce dernier ne fonctionnera pas. C'est pourquoi il est nécessaire d'établir un raccordement à la barrette de fixation au moyen d'un cavalier (jouant le rôle de disjoncteur). (Fig. 22)

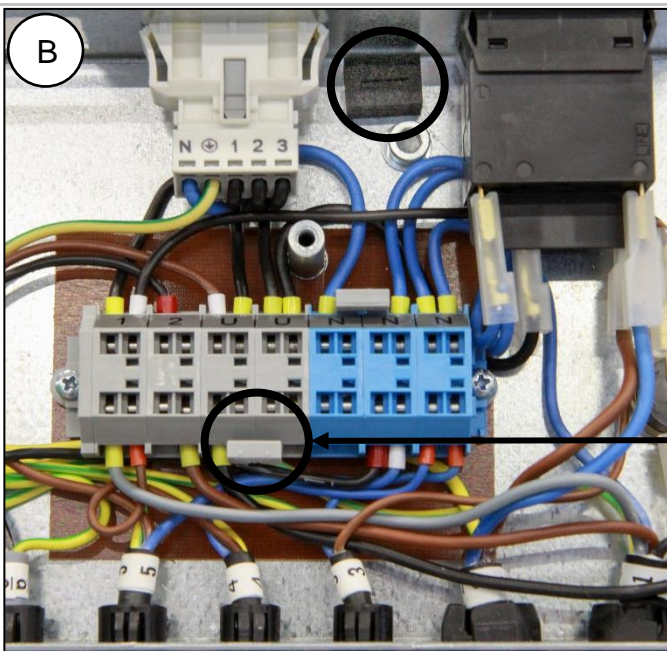
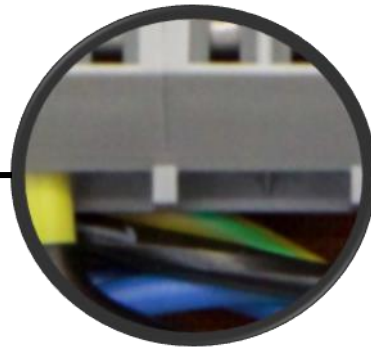
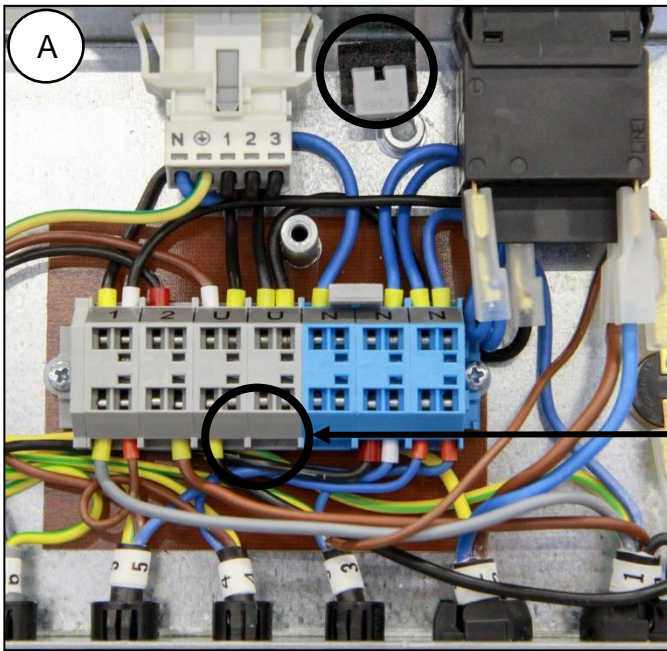
PROCÉDURE :

Installation du cavalier (procédure A-B) :

- Débranchez l'appareil du secteur en retirant la fiche de la prise.
- Retirez le capot du panneau électrique (du compresseur).
- Le cavalier n'est pas dans la barrette de raccordement - A.
- Insérez le cavalier dans la barrette de raccordement - B.
- Remettez en place le capot du panneau électrique.
- Raccordez l'appareil au réseau électrique.
- Activez le compresseur en actionnant le pressostat.

Lorsque le compresseur est utilisé en dehors de son armoire, il est **nécessaire** de créer un raccordement électrique avec un cavalier installé (Fig. 22, pos. B)

Fig. 22



230V

23.11. Procédure de raccordement d'un compresseur à la nouvelle armoire



Avant toute opération de maintenance ou de réparation, éteignez le compresseur et débranchez-le.

Lorsque le compresseur est dans l'armoire, il n'est pas nécessaire, pour qu'il fonctionne normalement, de monter le cavalier dans la barrette de raccordement (Fig. 22 pos. A). Le commutateur de l'armoire permet d'actionner ou d'arrêter complètement le produit, y compris le compresseur.



Si un cavalier est monté dans la barrette de raccordement du compresseur connecté à une armoire, le commutateur de l'armoire du compresseur ne fonctionne pas !

Si vous souhaitez raccorder une nouvelle armoire à un compresseur jusque-là utilisé seul (sans armoire), il est nécessaire de supprimer le raccordement de la barrette de fixation du compresseur en suivant la procédure ci-après. (Fig. 22) (Voir également chapitres 13.1 et 13.2).

PROCÉDURE :

Retrait du cavalier (procédure B-A) :

- Débranchez l'appareil du secteur en retirant la fiche de la prise.
- Retirez le capot du panneau électrique (du compresseur).
- Le cavalier se trouve dans la barrette de raccordement – B.
- Retirez le cavalier de la barrette de raccordement – A.
- Remettez en place le capot du panneau électrique.
- Insérez le compresseur dans le boîtier.
- Raccordez l'armoire au compresseur en insérant le cordon d'alimentation avec la fiche (1) dans la prise secteur (2) (Fig. 11).
- Déconnectez l'écran du sécheur AD et connectez l'écran de la porte avant à l'armoire (voir le manuel d'entretien).
- Raccordez l'appareil au réseau électrique.
- Activez le compresseur en actionnant (2) le pressostat (1) et le commutateur (5) de l'armoire (Fig. 17).

Compresseur avec armoire - en cas d'utilisation d'un compresseur avec armoire, **aucun** branchement électrique ne doit être effectué. (Fig. 22 pos. A)

Remarque: **Dans le cas où vous utilisez un compresseur sans armoire ou dans le cas d'une opération de maintenance, un cavalier non installé sur la barrette de raccordement doit être conservé** à un endroit prévu à cet effet, à côté du panneau électrique.

23.12. Nettoyage et désinfection des surfaces extérieures de l'appareil

Nettoyez et désinfectez les surfaces extérieures avec des produits de nettoyage neutres.



L'utilisation de détergents et de désinfectants agressifs contenant de l'alcool et des chlorures peut entraîner des dommages et une décoloration des surfaces.

24. ARRÊT PROLONGÉ

Si le compresseur n'est pas utilisé pendant une longue période, il est recommandé de vider tout le condensat du réservoir d'air et de mettre le compresseur en marche pendant environ 10 minutes, en gardant la soupape de vidange ouverte. Ensuite, arrêtez le compresseur à l'aide du commutateur (2) du pressostat (1) (Fig. 17), puis fermez la soupape de vidange et débranchez l'appareil du secteur.

25. MISE AU REBUT DE L'APPAREIL

- Débranchez l'équipement du secteur.
- Évacuez la pression d'air du réservoir en ouvrant la soupape de vidange.
- Mettez l'appareil au rebut conformément à l'ensemble des réglementations en vigueur.
- Confiez le tri et l'élimination des déchets à une entreprise spécialisée.
- Les composants usés n'ont aucun impact négatif sur l'environnement.

DÉPANNAGE**Risque d'électrocution.****Avant d'intervenir sur l'appareil, débranchez-le au préalable du secteur (retirez la prise de courant).****La manipulation des composants pneumatiques sous pression présente un risque de blessure.****Avant d'intervenir sur l'équipement, purgez totalement le réservoir d'air et le système d'air comprimé.****Le dépannage peut uniquement être effectué par des techniciens qualifiés.**

Dysfonctionnements	Cause possible	Solution
Le compresseur ne se met pas en marche	Pas de tension dans le pressostat	Vérifiez la tension de la prise
		Vérifiez le commutateur du disjoncteur - mettez le commutateur en position marche « I »
		Le conducteur de la borne est desserré – réparez-le
		Vérifiez le cordon électrique - remplacez le cordon défectueux
	Défaillance de l'enroulement du moteur, protection thermique endommagée	Remplacez le moteur ou les enroulements
Le commutateur de l'armoire n'arrête pas le compresseur	Défaillance du condensateur	Remplacez le condensateur
	Piston ou autres parties rotatives grippés	Remplacez les composants endommagés
	Le pressostat ne fonctionne pas	Vérifiez le fonctionnement du pressostat
	Dans l'armoire se trouve un compresseur qui a précédemment été utilisé seul (un cavalier est inséré dans la barrette de fixation).	Retirez le cavalier de la barrette de fixation, voir chap. 0
	Le compresseur est régulièrement activé	Fuite d'air dans le système pneumatique
Fuite du clapet anti-retour (SV)		Nettoyez le clapet anti-retour, remplacez les joints d'étanchéité, remplacez le clapet anti-retour
Grand volume de liquide condensé dans le réservoir sous pression		Vidangez le liquide condensé
Capacité de compresseur faible		Vérifiez le temps de remplissage du réservoir d'air
Pression faible dans le réservoir d'air (le compresseur fonctionne en continu)	Consommation d'air élevée des équipements fournis	Réduisez la consommation d'air Utilisez un compresseur d'une plus grande capacité
	Fuite dans le système pneumatique	Vérifiez le système pneumatique – scellez les raccords mal fixés
	Faible capacité de la pompe	Nettoyez / remplacez la pompe
	Défaillance de la pompe	Nettoyez / remplacez la pompe
	Dysfonctionnement du sécheur	Remplacez le sécheur

Utilisation prolongée du compresseur	Fuite d'air dans le système pneumatique	Vérifiez le système pneumatique – scellez les raccords mal fixés
	Bague de piston usée	Remplacez les bagues de piston usées
	Filtre d'entrée encrassé	Remplacez le filtre encrassé par un filtre neuf
	Dysfonctionnement de l'électrovanne	Réparez ou remplacez le ventilateur ou la bobine
Compresseur bruyant (cognements, bruits de métal)	Roulement de piston, tiges de piston, roulement moteur endommagés	Remplacez le roulement endommagé
	Élément d'amortissement (ressort) desserré (fissuré)	Remplacez le ressort endommagé
Le sécheur ne sèche plus (eau condensée dans le réservoir) *	Ventilateur du refroidisseur défectueux	Remplacez le ventilateur Vérifiez la source d'alimentation
	Sécheur endommagé	Remplacez le sécheur
	Dispositif automatique de purge de condensat défectueux	Nettoyez / remplacez
Dégradation des performances de séchage - point de rosée à haute pression (eau condensée dans l'air)	Pression de fonctionnement basse	Réduisez la demande d'air, vérifiez le rendement de la source d'air comprimé, réparez les éventuelles fuites du système de distribution
	L'électrovanne de régénération ne fonctionne pas	Vérifiez le fonctionnement de la bobine, remplacez-la si elle est endommagée Inspectez l'état de la valve - nettoyez la soupape ou remplacez-la si les problèmes persistent
	Buse de régénération d'air obstruée	Nettoyez ou remplacez la buse (voir le chapitre Entretien de l'appareil)
	Le ventilateur de refroidissement ne fonctionne pas	Vérifiez la source d'alimentation du ventilateur Remplacez le ventilateur endommagé
	Refroidisseur sale	Inspectez le refroidisseur et nettoyez-le si nécessaire
	Silencieux obstrué à la sortie de la vanne de régénération	Inspectez les silencieux. Nettoyez ou remplacez le silencieux si la résistance à l'écoulement est trop élevée ou s'il est fortement encrassé.
	Ventilateur endommagé Silencieux endommagé	Remplacez le ventilateur endommagé Remplacez le silencieux
Sécheur émettant des niveaux de bruit élevés	Fuite d'air par la soupape de décharge à l'entrée du sécheur	Vérifiez le branchement du sécheur à l'alimentation secteur et les autres raccords du sécheur, vérifiez le fonctionnement du sécheur, vérifiez la pression de fonctionnement du sécheur et remplacez les composants défectueux.
Fuite d'air par la soupape de décharge à l'entrée du sécheur	Haute pression de travail provenant d'une source d'air	Vérifiez le réglage de la pression sur la source d'air comprimé
	L'électrovanne d'entrée du séchoir ne fonctionne pas	Vérifiez le fonctionnement de la bobine, remplacez-la si elle est endommagée

	Inspectez l'état de la valve - nettoyez la soupape ou remplacez-la si les problèmes persistent
Haute pression dans l'équipement résultant de l'obstruction des filtres	Vérifiez les filtres internes et les ensembles filtres des accessoires. Nettoyez ou remplacez les filtres obstrués.

)* Nettoyez soigneusement les surfaces intérieures du réservoir d'air et retirez tout le liquide condensé après la panne du sécheur.

Une fois qu'une panne du sécheur est corrigée et après son remontage, le sécheur doit être rapidement régénéré, de préférence en utilisant le compresseur en continu à une pression d'environ 1 bar pendant une période d'au moins 1 heure ; puis vérifiez la sécheresse de l'air comprimé.



Vérifiez la teneur en humidité de l'air sortant du réservoir d'air (voir le chapitre Données techniques) pour éviter d'endommager l'équipement connecté en aval.

26. SERVICE DE REPARATION

Toutes les réparations, sous garantie ou après l'expiration de celle-ci, doivent être effectuées par le fabricant, son représentant agréé ou par le personnel d'entretien agréé par le fournisseur.

Attention.

Le fabricant se réserve le droit d'apporter des modifications à l'appareil sans préavis. Les modifications apportées n'affecteront en aucun cas les propriétés fonctionnelles de l'équipement.

ОГЛАВЛЕНИЕ

ВАЖНЫЕ СВЕДЕНИЯ	179
1. СООТВЕТСТВИЕ ТРЕБОВАНИЯМ ДИРЕКТИВ ЕВРОПЕЙСКОГО СОЮЗА.....	179
2. НАЗНАЧЕНИЕ.....	179
3. ПРОТИВОПОКАЗАНИЯ И ПОБОЧНЫЕ ЭФФЕКТЫ.....	179
4. ПРЕДУПРЕЖДЕНИЯ И СИМВОЛЫ	179
5. ПРЕДУПРЕЖДЕНИЯ	180
6. ХРАНЕНИЕ И ТРАНСПОРТИРОВКА.....	182
ОПИСАНИЕ ИЗДЕЛИЯ.....	183
7. ВАРИАНТЫ ИСПОЛНЕНИЯ.....	183
8. ПРИНАДЛЕЖНОСТИ.....	183
9. ПРИНЦИП ДЕЙСТВИЯ ИЗДЕЛИЯ	184
ТЕХНИЧЕСКИЕ ХАРАКТЕРИСТИКИ	189
УСТАНОВКА	198
10. УСЛОВИЯ ПРИ УСТАНОВКЕ.....	198
11. КОМПРЕССОРНАЯ УСТАНОВКА.....	198
12. ПНЕВМАТИЧЕСКИЕ СОЕДИНЕНИЯ.....	200
13. ЭЛЕКТРИЧЕСКИЕ СОЕДИНЕНИЯ	203
14. ВЫБОР РАСПОЛОЖЕНИЯ КОМПРЕССОРА В ШКАФУ	204
15. ПЕРВЫЙ ЗАПУСК УСТРОЙСТВА.....	206
16. ПНЕВМАТИЧЕСКИЕ И ЭЛЕКТРИЧЕСКИЕ СХЕМЫ.....	207
ЭКСПЛУАТАЦИЯ.....	213
17. ВКЛЮЧЕНИЕ КОМПРЕССОРА.....	214
18. ВЫКЛЮЧЕНИЕ КОМПРЕССОРА.....	214
АДСОРБЦИОННЫЙ ОСУШИТЕЛЬ.....	215
19. ПРИНЦИП ДЕЙСТВИЯ.....	215
20. ПОЛЬЗОВАТЕЛЬСКИЙ ИНТЕРФЕЙС/НАСТРОЙКИ.....	216
21. ОСНОВНЫЕ ЭКРАНЫ	219
22. ИНДИКАЦИЯ СОСТОЯНИЯ ТЕХНИЧЕСКОГО ОБСЛУЖИВАНИЯ И АВАРИЙНОГО СОСТОЯНИЯ.....	220
ТЕХНИЧЕСКОЕ ОБСЛУЖИВАНИЕ.....	223
23. ТЕХНИЧЕСКОЕ ОБСЛУЖИВАНИЕ	223
24. ХРАНЕНИЕ	232
25. УТИЛИЗАЦИЯ ОБОРУДОВАНИЯ	232
СРЕДСТВА И МЕТОДЫ УСТРАНЕНИЯ ПРОБЛЕМ.....	233
26. СВЕДЕНИЯ ОБ УСЛУГАХ ПО РЕМОНТУ	235
ПРИЛОЖЕНИЕ	408
27. ОТЧЕТ ОБ УСТАНОВКЕ.....	411

ВАЖНЫЕ СВЕДЕНИЯ

УВАЖАЕМЫЙ ПОЛЬЗОВАТЕЛЬ.

ПОЖАЛУЙСТА, ВНИМАТЕЛЬНО ПРОЧТИТЕ ДАННОЕ РУКОВОДСТВО ПО ЭКСПЛУАТАЦИИ ДЛЯ ТОГО, ЧТОБЫ ОБЕСПЕЧИТЬ ОПТИМАЛЬНОЕ И ПРАВИЛЬНОЕ ФУНКЦИОНИРОВАНИЕ ВАШЕГО МЕДИЦИНСКОГО ОБОРУДОВАНИЯ.

Изделие зарегистрировано и соответствует требованиям Федеральной Службы по надзору в сфере здравоохранения и социального развития Российской Федерации.

Изделие соответствует системе сертификации ГОСТ Р Госстандарта России.

1. СООТВЕТСТВИЕ ТРЕБОВАНИЯМ ДИРЕКТИВ ЕВРОПЕЙСКОГО СОЮЗА

Данное изделие соответствует требованиям Регламенту о медицинских изделиях (2017/745/EU) (MDR). Его можно безопасно использовать по назначению при условии соблюдения всех требований техники безопасности.

2. НАЗНАЧЕНИЕ

Медицинский компрессор используется в качестве источника чистого, безмасляного, сжатого воздуха для питания активных медицинских устройств (например в стоматологии, диагностике и лабораториях и т.д.), где параметры и свойства сжатого воздуха подходят определенному целевому назначению.



Воздух, подаваемый из компрессора, не подходит для подключения к аппаратам искусственной вентиляции легких.

Применение данного изделия для других целей, не соответствующих назначению устройства, считается ненадлежащим использованием. Производитель не несет ответственности за повреждения и травмы, вызванные ненадлежащим использованием устройства.

3. ПРОТИВОПОКАЗАНИЯ И ПОБОЧНЫЕ ЭФФЕКТЫ

Противопоказания или побочные эффекты неизвестны.

4. ПРЕДУПРЕЖДЕНИЯ И СИМВОЛЫ

В руководстве пользователя, а также на устройстве и упаковке к нему для обозначения важных сведений используются перечисленные ниже символы.



Предупреждение



Опасно, угроза поражения электрическим током



Компрессор управляется автоматически; он может запускаться без предупреждения



Внимание! Горячая поверхность



Общие предупреждения



См. руководство пользователя.

	Прочтите руководство пользователя
	Маркировка CE
	Медицинское изделие
	Серийный номер
	Артикул комплекта
	Уникальный идентификатор изделия
	Швейцарский уполномоченный представитель
	Швейцарский импортер
	Заземление
	Предохранитель
	Маркировка на упаковке — ХРУПКИЙ ПРЕДМЕТ
	Маркировка на упаковке — ЭТОЙ СТОРОНОЙ ВВЕРХ
	Маркировка на упаковке — БЕРЕЧЬ ОТ ВЛАГИ
	Маркировка на упаковке — ТЕМПЕРАТУРНЫЕ ОГРАНИЧЕНИЯ
	Маркировка на упаковке — ШТАБЕЛИРОВАНИЕ ОГРАНИЧЕНО
	Маркировка на упаковке — ПРИГОДНО ДЛЯ ВТОРИЧНОЙ ПЕРЕРАБОТКИ
	Производитель

5. ПРЕДУПРЕЖДЕНИЯ

Данное изделие спроектировано и изготовлено таким образом, чтобы не представлять опасности для пользователя и окружающей среды при условии надлежащей эксплуатации. Имейте в виду перечисленные ниже предупреждения.

5.1. Общие предупреждения

ПРЕЖДЕ ЧЕМ ИСПОЛЬЗОВАТЬ ИЗДЕЛИЕ, ВНИМАТЕЛЬНО ПРОЧИТАЙТЕ РУКОВОДСТВО ПОЛЬЗОВАТЕЛЯ. СОХРАНИТЕ РУКОВОДСТВО ДЛЯ ИСПОЛЬЗОВАНИЯ В БУДУЩЕМ.

- В данном руководстве пользователя рассказывается, как правильно установить и эксплуатировать изделие, а также выполнять его техническое обслуживание. Внимательно изучите данное руководство, чтобы правильно эксплуатировать изделие в соответствии с его назначением.
- Сохраните заводскую упаковку на случай возврата устройства. Только заводская

упаковка гарантирует защиту устройства во время его транспортировки. При возврате изделия в течение гарантийного срока производитель не несет ответственности за повреждения, вызванные ненадлежащей упаковкой.

- Гарантия не распространяется на изделия, поврежденные в результате применения дополнительных принадлежностей, которые не указаны или не рекомендованы производителем.
- Производитель гарантирует безопасность, надежность и функционирование устройства только при соблюдении описанных ниже условий.
- Установку, перенастройку, внесение изменений, расширение возможностей и ремонтные работы должен выполнять производитель либо уполномоченная им организация.
- Изделие следует использовать в соответствии с данным руководством пользователя.
- Данное руководство пользователя соответствует конфигурации изделия и на момент печати отвечает требованиям всех стандартов безопасности и техническим условиям. Производитель оставляет за собой все права на патентную защиту своих методов, названий и конфигурации.
- Перевод руководства пользователя следует выполнять с учетом всей доступной информации. В случае сомнений требуется использовать версию на словацком языке.
- Данное руководство пользователя — исходное. Перевод руководства следует выполнять с учетом всей доступной информации.

5.2. Общие предостережения по безопасности

Производитель разработал и изготовил изделие таким образом, чтобы максимально сократить все риски при условии правильной эксплуатации. Производитель считает своей обязанностью изложить указанные ниже общие требования техники безопасности.

- При эксплуатации изделия следует соблюдать все законы и нормативные акты, действующие в месте использования оборудования. Оператор и пользователь несут ответственность за соблюдение всех соответствующих нормативных актов для безопасной эксплуатации.
- Только использование деталей и узлов, изготовленных производителем, гарантирует безопасность обслуживающего персонала и бесперебойную работу самого изделия. Разрешается применять только те дополнительные принадлежности и детали, которые указаны в технической документации или утверждены производителем.
- Перед каждым использованием устройства оператору необходимо убедиться, что оно работает надлежащим образом и безопасно для эксплуатации.
- Пользователь должен понимать принцип работы устройства.
- Не используйте изделие во взрывоопасных средах.
- В случае возникновения проблем, непосредственно связанных с эксплуатацией устройства, пользователь обязан немедленно уведомить поставщика.
- О любом серьезном инциденте, произошедшем в связи с использованием устройства, необходимо сообщить изготовителю и в компетентный орган государства-члена ЕС, в котором зарегистрирован пользователь и/или пациент.

5.3. Меры техники безопасности для защиты от поражения электрическим током

- Устройство следует подключать только к правильно установленной и заземленной розетке.

- Перед подключением изделия к электросети необходимо убедиться, что напряжение и частота электросети соответствуют характеристикам, указанным на устройстве.
- Прежде чем ввести устройство в эксплуатацию, проверьте, не повреждены ли подключенные к устройству пневматические линии и провода. Если повреждены какие-либо пневматические линии и электрические провода, немедленно замените их.
- При возникновении опасной ситуации или технической неисправности немедленно отключите изделие от электросети (вытащите сетевой шнур из розетки).
- При ремонте и техническом обслуживании соблюдайте указанные ниже требования.
 - Извлеките вилку сетевого шнура из розетки.
 - Сравите давление из ресивера и трубопровода
- Установку изделия должен выполнить только квалифицированный специалист.

6. ХРАНЕНИЕ И ТРАНСПОРТИРОВКА

Компрессор поставляется с фабрики в транспортной упаковке. Она защищает устройство от повреждений во время транспортировки.



Возможно повреждение пневматических компонентов.

Компрессор можно транспортировать только после полного отведения воздуха. Перед перемещением или транспортировкой компрессора сбросьте давление воздуха в ресивере, напорных шлангах а также слейте водяной конденсат из ресивера и отделителя конденсата на осушителе.



Сохраните оригинальную заводскую упаковку на случай, если понадобится вернуть устройство. Во время транспортировки используйте оригинальную заводскую упаковку, поскольку она обеспечивает оптимальную защиту изделия. При возврате изделия в течение гарантийного срока производитель не несет ответственности за повреждения, вызванные ненадлежащей упаковкой.



Компрессор поставляется в вертикальном положении и должен быть зафиксирован с помощью транспортных ремней.



При транспортировке и хранении берегите компрессор от влаги, загрязнений и экстремальных температур. Не храните компрессор вблизи летучих химических веществ.



В противном случае утилизируйте оригинальную упаковку экологически безопасным способом. Упаковочный картон можно перерабатывать вместе со старой бумагой.



Запрещается хранить или транспортировать оборудование в условиях, отличных от указанных ниже.

6.1. Условия окружающей среды

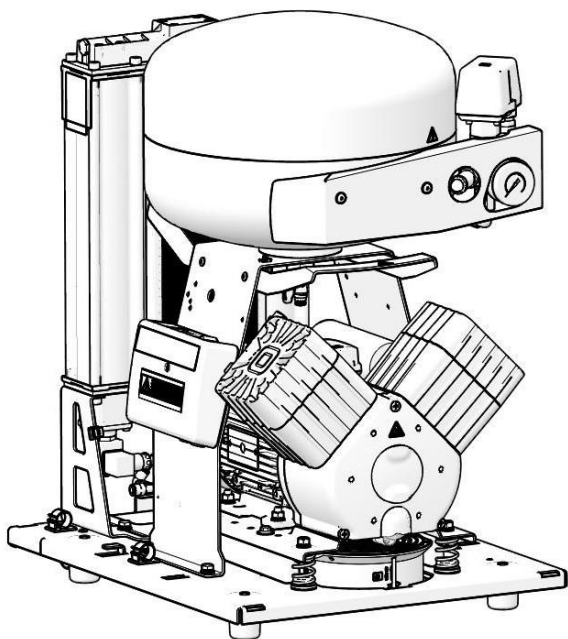
Изделия можно хранить и перевозить только в транспортных средствах, не содержащих остатков летучих химических веществ, при указанных ниже климатических условиях:

Температура	от –25 до +55 °C (24 ч при температуре до +70 °C)
Относительная влажность	макс. 90% (при отсутствии конденсата)

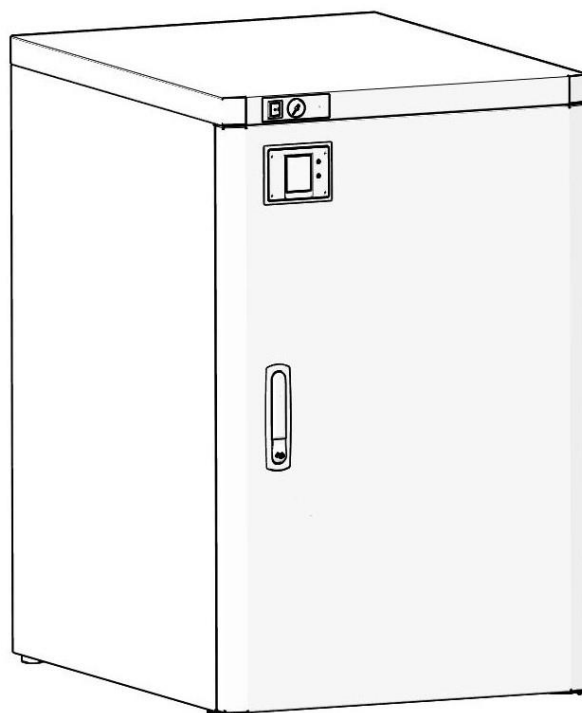
ОПИСАНИЕ ИЗДЕЛИЯ**7. ВАРИАНТЫ ИСПОЛНЕНИЯ**

Компрессор производится в следующих вариантах исполнения:

DK50 2V/M	монтируемый на основании компрессор с осушителем воздуха
DK50 2V S/M	компрессор с осушителем в шкафу



DK50 2V/M



DK50 2V S/M

8. ПРИНАДЛЕЖНОСТИ

Принадлежности, не входящие в стандартный заказ, необходимо приобретать дополнительно.

Набор выходных фильтров сжатого воздуха

Если требуется, компрессор может быть оснащен комплектом фильтров. Такой комплект фильтров можно оснастить регулятором давления воздуха.



Если требуется другой уровень фильтрации воздуха, такие требования необходимо согласовать с поставщиком, четко указав их во время заказа.

Тип	Модели, в которых используется	Степень фильтрации (µм)	Артикул комплекта
FS 30F	DK50 2V/M	1	для заказа
FS 30M		1+0,1	
FS 30S		1+0,01	
FS 30A		1+0,01+A**	

**) А – субмикронный фильтр с активированным углем

Узел регулятора комплекта фильтра

Компрессор можно оснастить регулятором давления на выходе сжатого воздуха (если указана такая возможность). Регулятор следует выбирать исходя из его применения в составе комплекта фильтров или отдельно. Регулятор должен обеспечивать постоянное давление на выходе.

Тип	Модели, в которых используется	Артикул комплекта
Регулятор в сборе (к фильтру в сборе) REG11 (отдельно)	DK50 2V/M	для заказа 447000001-077

Кронштейны комплекта фильтров



Для каждого комплекта фильтров следует заказать соответствующий кронштейн.

Тип	Модели, в которых используется	Артикул комплекта
Кронштейн для монтажа на компрессор	DK50 2V/M	для заказа

Розетка для эквипотенциального соединения

Эта розетка позволяет выполнить эквипотенциальное соединение.

Тип	Модели, в которых используется	Название	Артикул комплекта
POAG-KBT6-EC	DK50 2VS/M	Разъем для сетевого штепселя	033400075-000
FLEXI-S/POAG-НК6		Проводник (1 м)	034110083-000

9. ПРИНЦИП ДЕЙСТВИЯ ИЗДЕЛИЯ

9.1. Компрессор с адсорбционным осушителем

(Рис. 1) Воздушный насос (1) всасывает воздух через входной фильтр (8) и подает сжатый воздух через соединительный шланг в адсорбционный осушитель (38). Воздух, поступающий из впуска в модуль осушения, охлаждается во встроенном охладителе (26), а затем проходит через сепаратор конденсата (32), попадая в активную камеру с адсорбентом (27), где происходит осушка воздуха. Часть воздуха подается во вторую регенерационную камеру, где он удаляет влагу из адсорбента и затем выбрасывается в атмосферу. Активная камера переключается циклически. Затем сухой воздух проходит через обратный клапан (3) в воздушный ресивер (2). Эффективность осушки воздуха (точка конденсации) определяется с помощью датчика точки конденсации, установленного в воздушном резервуаре.

Из резервуара высокого давления не требуется сливать конденсат.

9.2. Шкаф компрессора

(Рис. 3) Звуконепроницаемый шкаф служит компактным корпусом компрессора и обеспечивает воздухообмен, необходимый для охлаждения. Агрегат может использоваться в помещениях, где требуется низкий уровень шума. Вентилятор (9), расположенный под агрегатом компрессора, охлаждает компрессор и вращается в то время, когда работает электродвигатель компрессора. После длительного использования компрессора

температура в шкафу может подниматься выше 40 °С, при этом автоматически включается охлаждающий вентилятор. После охлаждения внутренней части шкафа до 32 °С вентилятор автоматически выключается.

Дисплей осушителя (34) расположен на передней панели шкафа.



Риск перегрева компрессора.

Убедитесь, что нет препятствий для свободной циркуляции воздуха вокруг компрессора и под ним. Запрещается перекрывать выход горячего воздуха в верхней задней части корпуса.

При размещении компрессора на мягком полу, например на ковре, необходимо оставить зазор для вентиляции между основанием компрессора и полом. Для этого можно использовать опоры с твердыми прокладками.

Описание для рисунков 1–3:

1 Агрегат	22 Ручка
2 Ресивер	23 Ролики
3 Обратный клапан	24 Шланг манометра
4 Реле давления	25 Выходной модуль
5 Предохранительный клапан	26 Модуль охлаждения
6 Манометр	27 Сушильная камера
7 Кран слива	28 Модуль входного клапана
8 Входной фильтр	29 Вход сжатого воздуха
9 Вентилятор компрессора	30 Электромагнитный клапан восстановления
10 Резервуар для сбора конденсата	31 Вентилятор осушителя
11 Магнитный кронштейн	32 Отделитель конденсата
12 Электрическая панель	33 Электромагнитный клапан слива конденсата
13 Вентилятор шкафа	34 *Дисплей
14 Штифт дверцы	35 Воздухораспределитель
15 Винт для выравнивания шкафа	36 **Втулка
16 Замок	37 Выпуск из сепаратора конденсата и клапаны регенерации
17 Опорный кронштейн	38 Адсорбционный осушитель
18 Проставки для опоры на стену	39 Вилка со шнуром
19 Выключатель	40 Автоматический выключатель
20 Манометр	41 ***Датчик точки конденсации
21 Петля дверцы	

* Позиция 34 используется в модели DK50 2V/M без шкафа; а позиция 34 — в случае с DK50 2VS/M со шкафом является простой крышкой.

** У модели со шкафом кабель, подключенный к дисплею (36) на передней панели, прокладывается через универсальную втулку.

*** Относится к модели с датчиком точки конденсации.

Рис. 1: DK50 2V/M – Компрессор с осушителем

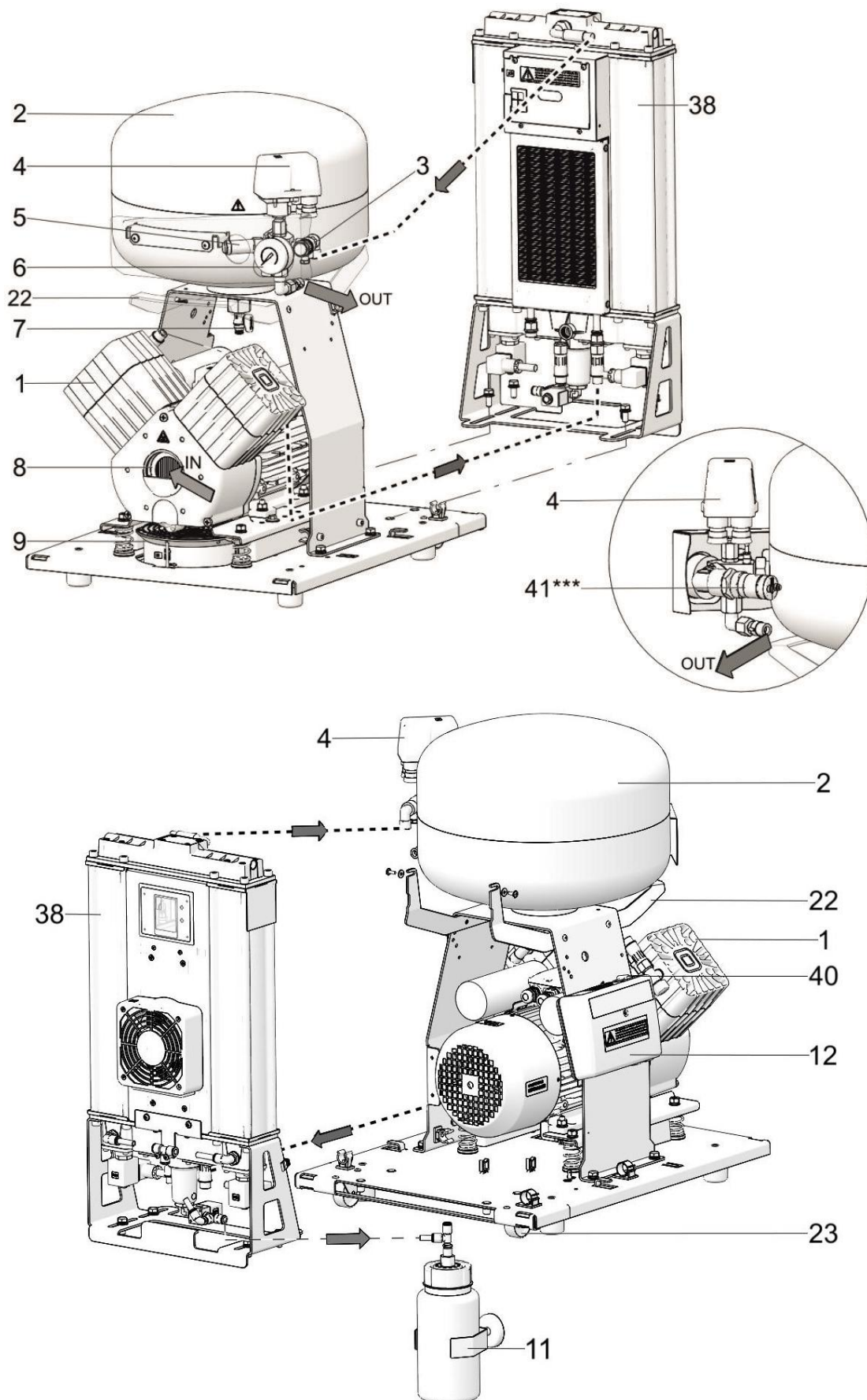
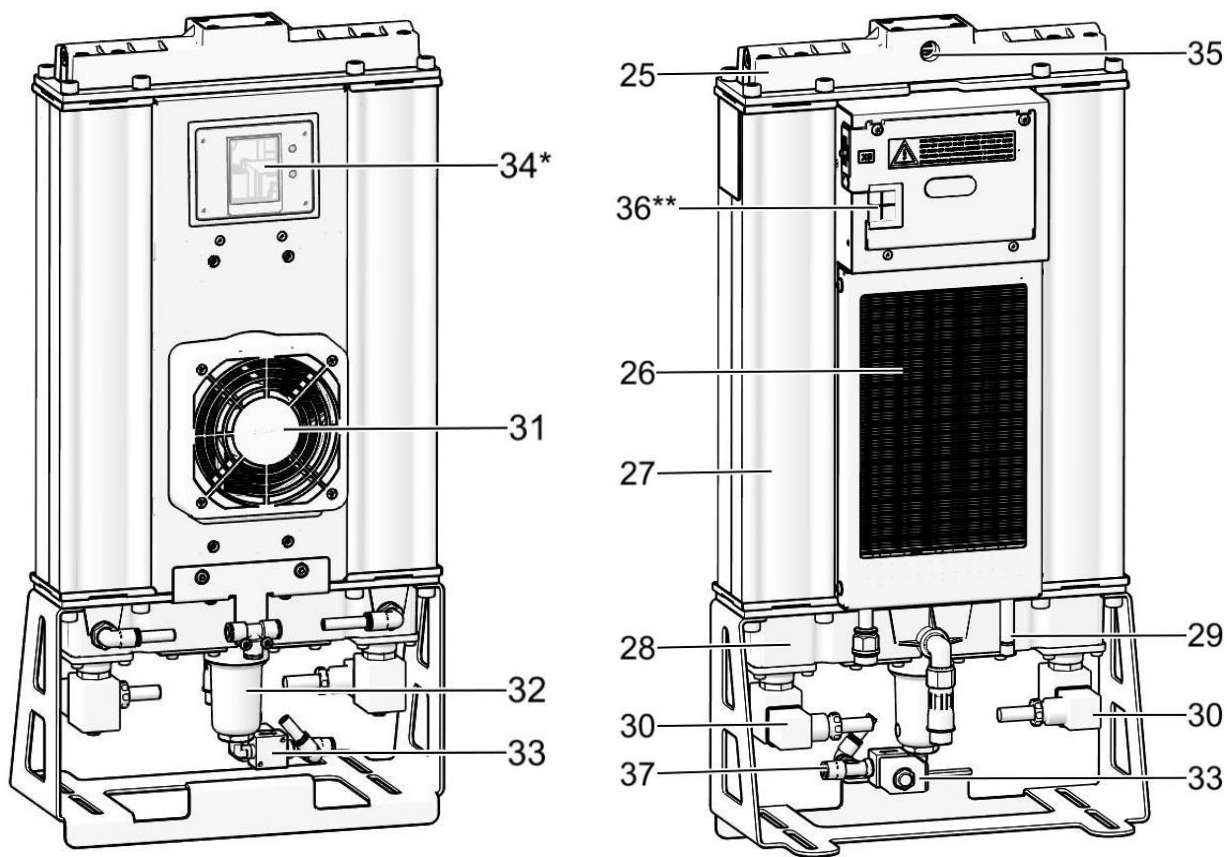
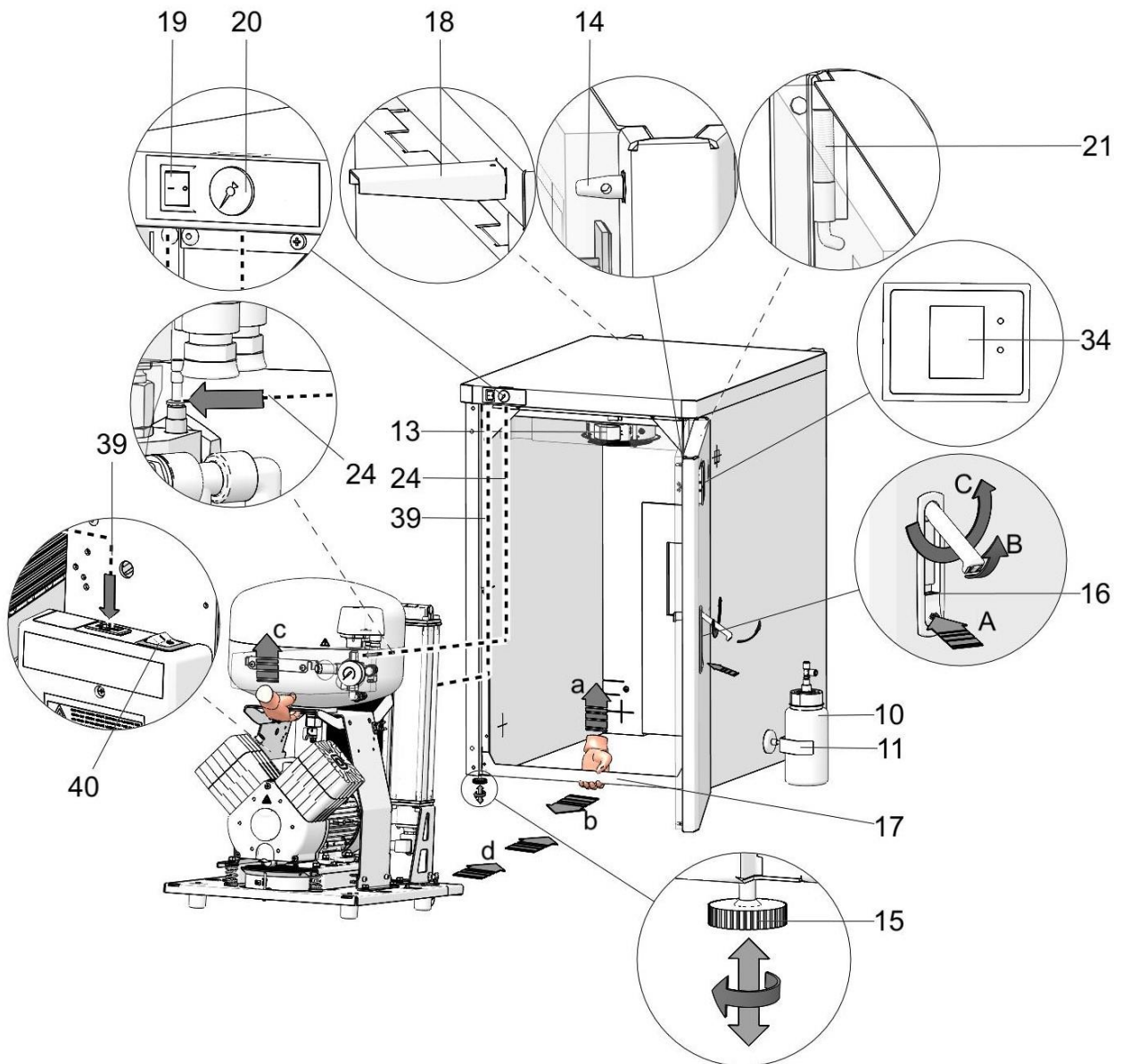


Рис. 2: – Адсорбционный осушитель

**ADM140/25**

- * Позиция 34 используется в модели DK50 2V/M без шкафа; а позиция 34 — в случае с DK50 2VS/M со шкафом является простой крышкой.
- ** У модели со шкафом кабель, подключенный к дисплею (36) на передней панели, прокладывается через универсальную втулку.

Рис. 3: – Шкаф



ТЕХНИЧЕСКИЕ ХАРАКТЕРИСТИКИ

Компрессоры предназначены для эксплуатации в сухих, проветриваемых и незапыленных помещениях при указанных ниже климатических условиях.

Температура

от +5°C до +30°C

Относительная влажность

макс. 50%

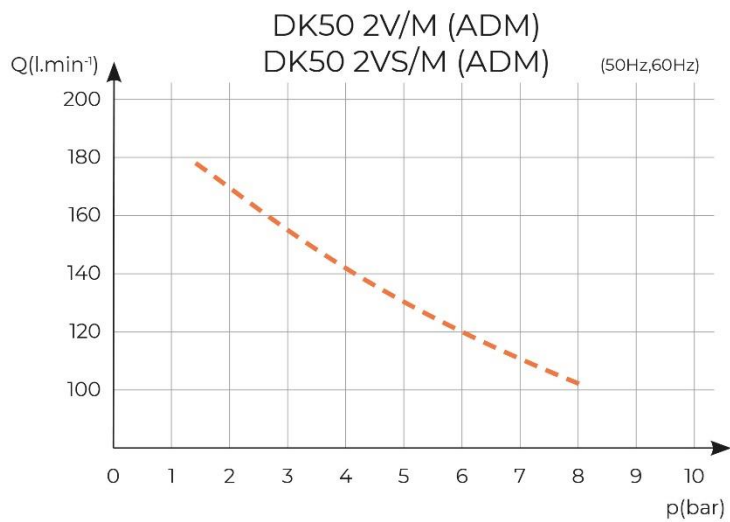
Рабочее давление 6 – 8 бар		DK50 2V/M	DK50 2V S/M
Номинальное напряжение, Частота ^{a)}	В, Гц	230, 50	230, 50
Производительность компрессора при давлении 6 бар (ПОСВ)	л/мин	120	120
Рабочее давление ^{b)}	бар	6,0 – 8,0	6,0 – 8,0
Номинальный ток	А	8,8	9,0
Мощность двигателя	кВт	1,2	1,2
Объем ресивера	л	25	25
Качество воздуха (фильтрация)	µм	-	-
Максимальное рабочее давление предохранительного клапана	бар	11,0	11,0
Уровень шума при 5 бар (LpA)	дБ	≤69,0	≤55,0
Рабочий режим	%	S1-100	S1-100
Степень осушения PDP при давлении 7 бар	°C	≤ -20	≤ -20
Аварийный сигнал низкого давления в сушилке	бар	< 3	< 3
Аварийный сигнал высокого давления в сушилке	бар	> 9	> 9
Аварийный сигнал высокой точки конденсации в сушилке	°C	> -20	> -20
Время наполнения ресивера от 0 до 7 бар	с	90	90
Размеры без упаковки Ш x Д x В	мм	460x620x720	560x720x880
Масса нетто ^{c)}	кг	69	110
Классификация согласно стандарту EN 60601-1	Класс I.		

^{a)} При заказе указывайте модель компрессора.

^{b)} Если необходим другой диапазон значений давления, проконсультируйтесь с поставщиком.

^{c)} Масса является ориентировочной и относится только к изделию без принадлежностей.

Зависимость производительности компрессора от рабочего давления



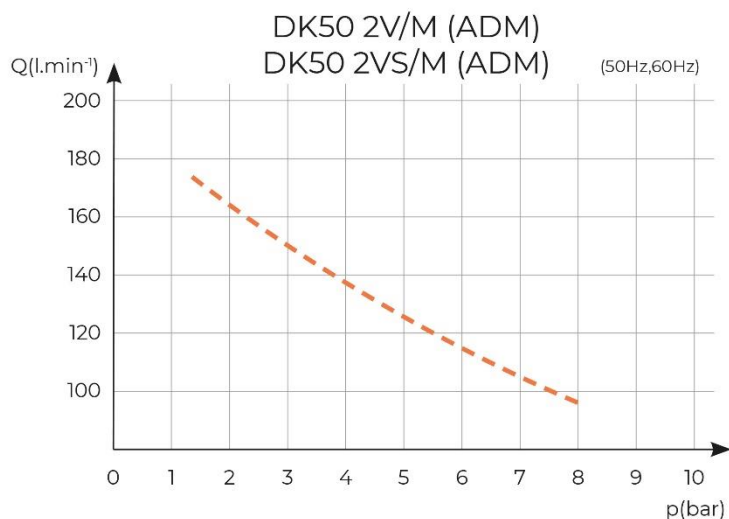
Рабочее давление 6–8 бар		DK50 2V/M	DK50 2V S/M
Номинальное напряжение, Частота ^{a)}	В, Гц	230, 50	230, 50
Производительность компрессора при давлении 6 бар (ПОСВ)	л/мин	115	115
Рабочее давление ^{b)}	бар	6,0 – 8,0	6,0 – 8,0
Номинальный ток	А	8,8	9,0
Мощность двигателя	кВт	1,2	1,2
Объем ресивера	л	25	25
Качество воздуха (фильтрация)	μм	-	-
Максимальное рабочее давление предохранительного клапана	бар	11,0	11,0
Уровень шума при 5 бар (L _{рА})	дБ	≤69,0	≤55,0
Рабочий режим	%	S1-100	S1-100
Степень осушения PDP при давлении 7 бар	°С	≤ -40	≤ -40
Аварийный сигнал низкого давления в сушилке	бар	< 3	< 3
Аварийный сигнал высокого давления в сушилке	бар	> 9	> 9
Аварийный сигнал высокой точки конденсации в сушилке	°С	> -40	> -40
Время наполнения ресивера от 0 до 7 бар	с	100	100
Размеры без упаковки Ш x Д x В	мм	460x620x720	560x720x880
Масса нетто ^{c)}	кг	69	110
Классификация согласно стандарту EN 60601-1		Класс I	

^{a)} При заказе указывайте модель компрессора.

^{b)} Если необходим другой диапазон значений давления, проконсультируйтесь с поставщиком.

^{c)} Масса является ориентировочной и относится только к изделию без принадлежностей.

Зависимость производительности компрессора от рабочего давления



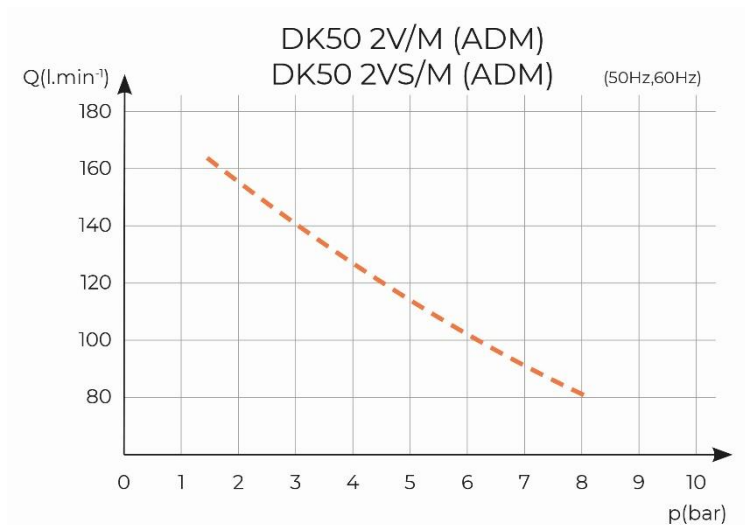
Рабочее давление 6–8 бар		DK50 2V/M	DK50 2V S/M
Номинальное напряжение, Частота ^{a)}	В, Гц	230, 50	230, 50
Производительность компрессора при давлении 6 бар (ПОСВ)	л/мин	100	100
Рабочее давление ^{b)}	бар	6,0 – 8,0	6,0 – 8,0
Номинальный ток	А	8,8	9,0
Мощность двигателя	кВт	1,2	1,2
Объем ресивера	л	25	25
Качество воздуха (фильтрация)	µм	-	-
Максимальное рабочее давление предохранительного клапана	бар	11,0	11,0
Уровень шума при 5 бар (L _{pA})	дБ	≤69,0	≤55,0
Рабочий режим	%	S1-100	S1-100
Степень осушения PDP при давлении 7 бар	°С	≤ -70	≤ -70
Аварийный сигнал низкого давления в сушилке	бар	< 3	< 3
Аварийный сигнал высокого давления в сушилке	бар	> 9	> 9
Аварийный сигнал высокой точки конденсации в сушилке	°С	-68	-68
Время наполнения ресивера от 0 до 7 бар	с	110	110
Размеры без упаковки Ш x Д x В	мм	460x620x720	560x720x880
Масса нетто ^{c)}	кг	69	110
Классификация согласно стандарту EN 60601-1	Класс I.		

^{a)} При заказе указывайте модель компрессора.

^{b)} Если необходим другой диапазон значений давления, проконсультируйтесь с поставщиком.

^{c)} Масса является ориентировочной и относится только к изделию без принадлежностей.

Зависимость производительности компрессора от рабочего давления



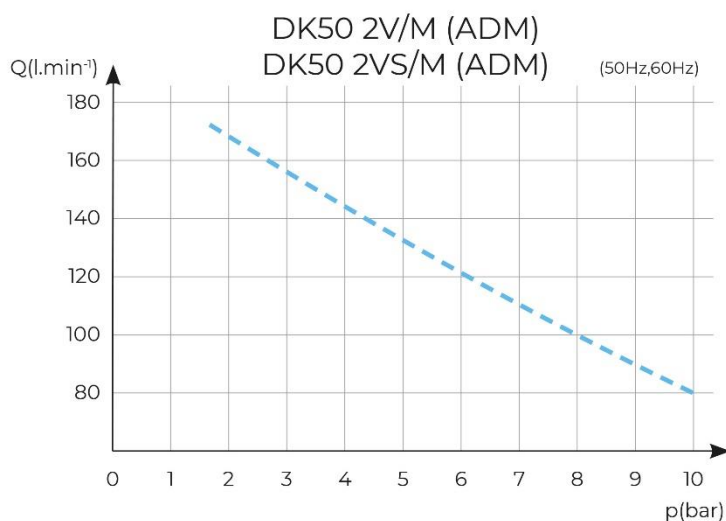
Рабочее давление 8–10 бар		DK50 2V/M	DK50 2V S/M
Номинальное напряжение, Частота ^{a)}	В, Гц	230, 50	230, 50
Производительность компрессора при давлении 8 бар (ПОСВ)	л/мин	100	100
Рабочее давление ^{b)}	бар	8,0 – 10,0	8,0 – 10,0
Номинальный ток	А	8,6	8,8
Мощность двигателя	кВт	1,2	1,2
Объем ресивера	л	25	25
Качество воздуха (фильтрация)	µм	-	-
Максимальное рабочее давление предохранительного клапана	бар	11,0	11,0
Уровень шума при 5 бар (L _{pA})	дБ	≤69,0	≤55,0
Рабочий режим	%	S1-100	S1-100
Степень осушения PDP при давлении 7 бар	°С	≤ -20	≤ -20
Аварийный сигнал низкого давления в сушилке	бар	< 3	< 3
Аварийный сигнал высокого давления в сушилке	бар	> 11	> 11
Аварийный сигнал высокой точки конденсации в сушилке	°С	> -20	> -20
Время наполнения ресивера от 0 до 7 бар	с	115	115
Размеры без упаковки Ш x Д x В	мм	460x620x720	560x720x880
Масса нетто ^{c)}	кг	71	112
Классификация согласно стандарту EN 60601-1	Класс I.		

^{a)} При заказе указывайте модель компрессора.

^{b)} Если необходим другой диапазон значений давления, проконсультируйтесь с поставщиком.

^{c)} Масса является ориентировочной и относится только к изделию без принадлежностей.

Зависимость производительности компрессора от рабочего давления



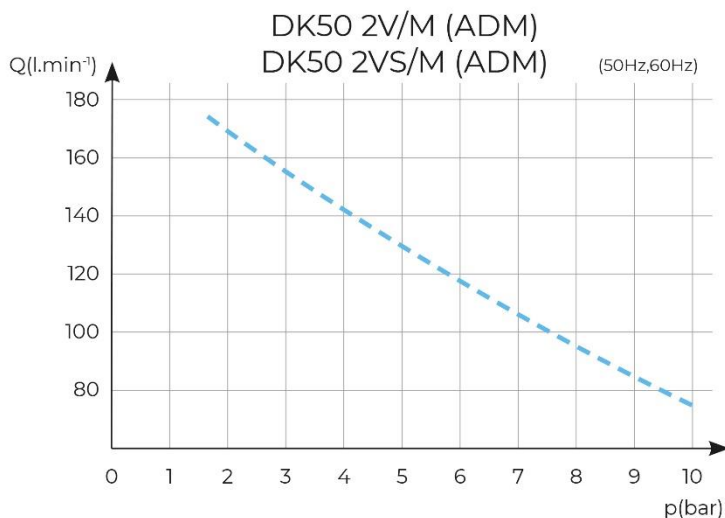
Рабочее давление 8–10 бар	DK50 2V/M		DK50 2V S/M
Номинальное напряжение, Частота ^{a)}	В, Гц	230, 50	230, 50
Производительность компрессора при давлении 8 бар (ПОСВ)	л/мин	95	95
Рабочее давление ^{b)}	бар	8,0 – 10,0	8,0 – 10,0
Номинальный ток	А	8,6	8,8
Мощность двигателя	кВт	1,2	1,2
Объем ресивера	л	25	25
Качество воздуха (фильтрация)	μм	-	-
Максимальное рабочее давление предохранительного клапана	бар	11,0	11,0
Уровень шума при 5 бар (L _{pA})	дБ	≤69,0	≤55,0
Рабочий режим	%	S1-100	S1-100
Степень осушения PDP при давлении 7 бар	°С	≤ -40	≤ -40
Аварийный сигнал низкого давления в сушилке	бар	< 3	< 3
Аварийный сигнал высокого давления в сушилке	бар	> 11	> 11
Аварийный сигнал высокой точки конденсации в сушилке	°С	> -40	> -40
Время наполнения ресивера от 0 до 7 бар	с	120	120
Размеры без упаковки Ш x Д x В	мм	460x620x720	560x720x880
Масса нетто ^{c)}	кг	71	112
Классификация согласно стандарту EN 60601-1	Класс I.		

a) При заказе указывайте модель компрессора.

b) Если необходим другой диапазон значений давления, проконсультируйтесь с поставщиком.

c) Масса является ориентировочной и относится только к изделию без принадлежностей.

Зависимость производительности компрессора от рабочего давления



Поправки потребляемого объема сжатого воздуха за единицу времени (ПОСВ) вследствие подъема

Производительность, указанная как ПОСВ (потребляемый объем сжатого воздуха), зависит от выполнения следующих условий:

Высота	0 метров над уровнем моря	Температура	20°C
Атмосферное давление	101 325 Па	Относительная влажность	0 %

Следующая таблица поправочных коэффициентов используется для преобразования производительности компрессора ПОСВ в зависимости от высоты над уровнем моря.:

Высота [метров над уровнем моря]	0–1500	1501–2500	2501–3500	3501–4500
Поправочный коэффициент ПОСВ	1	0,8	0,71	0,60

Требования к электромагнитной совместимости

Медицинское устройство нуждается в специальных мерах предосторожности в отношении электромагнитной совместимости (ЭМС) и должно быть установлено и введено в эксплуатацию в соответствии с информацией ЭМС, приведенной ниже

Руководство и заявление производителя: электромагнитное излучение		
Для IEC 60601-1-2:2014/AMD1:2020 - Изделия медицинские электрические. Часть 1-2. Общие требования безопасности с учетом основных функциональных характеристик. Параллельный стандарт. Электромагнитные помехи. Требования и испытания.		
Устройство предназначено к использованию в электромагнитной обстановке, как указано ниже. Покупатель или пользователь устройства должен обеспечить эксплуатацию устройства в таких условиях.		
Испытание электромагнитного излучения	Соответствие	Электромагнитная обстановка: руководство
Радиочастотное излучение CISPR 11	Группа 1	Устройство использует высокочастотную энергию только для функционирования внутренних компонентов. Таким образом, радиочастотное излучение очень низкое и не должно вызывать помехи в работе расположенного поблизости электронного оборудования.
Радиочастотное излучение CISPR 11	Класс В	Устройство подходит для использования во всех учреждениях, включая домашние хозяйства и учреждения, подключенные непосредственно к общественной низковольтной системе электроснабжения, питающей жилые здания.
Гармоническая эмиссия IEC 61000-3-2	Класс А	
Колебания напряжения / фликер IEC 61000-3-3	Устройство не должно вызывать фликер, так как ток после запуска практически постоянен.	

Руководство и заявление производителя: электромагнитная устойчивость			
Для IEC 60601-1-2:2014/AMD1:2020 - Изделия медицинские электрические. Часть 1-2. Общие требования безопасности с учетом основных функциональных характеристик. Параллельный стандарт. Электромагнитные помехи. Требования и испытания.			
Устройство предназначено к использованию в электромагнитной обстановке, как указано ниже. Покупатель или пользователь устройства должен обеспечить эксплуатацию устройства в таких условиях.			
Испытание устойчивости	Степень жесткости испытания согласно IEC 60601-1-2	Уровень соответствия	Электромагнитная обстановка: руководство
Электростатический разряд IEC 61000-4-2	± 8 кВ контактный ± 15 кВ воздушный	± 8 кВ контактный ± 15 кВ воздушный	Полы должны быть из дерева, бетона или керамической плитки. Если полы покрыты синтетическим материалом, относительная влажность должна быть минимум 30 %.
Электрические наносекундные импульсные помехи IEC 61000-4-4	± 2 кВ для портов электропитания ± 1 кВ портов ввода/вывода	± 2 кВ 100 кГц частота повторения Применимо при подключении к основному источнику питания	Качество основного источника электропитания должно соответствовать нормам для коммерческих или лечебных учреждений.
Микросекундные импульсные помехи большой энергии IEC 61000-4-5	± 1 кВ в дифференциальном режиме, ± 2 кВ в обычном режиме	± 1 кВ фаза-нейтраль ± 2 кВ фаза-защитное заземление; нейтраль-защитное заземление Применимо при подключении к основному источнику питания	Качество основного источника электропитания должно соответствовать нормам для коммерческих или лечебных учреждений.
Падение напряжения, кратковременное прерывание энергоснабжения и изменение напряжения на линиях электроснабжения IEC 60601-4-11	$U_T=0\%$, 0,5 цикла (b 0, 45, 90, 135, 180, 225, 270 и 315°) $U_T=0\%$, 1 цикл $U_T=70\%$ 25/30 циклов (для 0°) $U_T=0\%$, 250/300 циклов	$U_T \geq 95\%$, 0,5 цикла (b 0, 45, 90, 135, 180, 225, 270 и 315°) $U_T \geq 95\%$, 1 цикл $U_T=70\%$ (30% падение U_T), 25(50Hz)/30(60Hz) циклов (для 0°) $U_T \geq 95\%$, 250(50Hz)/300(60Hz) циклов	Качество основного источника электропитания должно соответствовать нормам для коммерческих или лечебных учреждений. Устройство отключается и повторно запускается при каждом падении напряжения. В этом случае удается избежать недопустимого падения давления.
Частота сети (50 / 60 Гц) IEC 61000-4-8	30 А/м	30 А/м	Магнитные поля промышленной частоты должны быть на уровне, характерном для типичного местоположения в типичном коммерческом или лечебном учреждении
Узлучаемые поля в непосредственной близости согласно IEC 61000-4-39	30 А/м	30 А/м	Магнитные поля промышленной частоты должны быть на уровне, характерном для типичного местоположения в типичном коммерческом или лечебном учреждении
ПРИМЕЧАНИЕ. U_T — напряжение главного источника питания переменного тока до применения степени жесткости испытаний.			

Руководство и заявление производителя: электромагнитная устойчивость			
Для IEC 60601-1-2:2014 - Изделия медицинские электрические. Часть 1-2. Общие требования безопасности с учетом основных функциональных характеристик. Параллельный стандарт. Электромагнитные помехи. Требования и испытания.			
Устройство предназначено к использованию в электромагнитной обстановке, как указано ниже. Покупатель или пользователь устройства должен обеспечить эксплуатацию устройства в таких условиях.			
Испытание устойчивости	Степень жесткости испытания согласно IEC 60601-1-2	Уровень соответствия	Электромагнитная обстановка: руководство
<p>Наведенные РЧ-поля IEC 61000-4-6</p> <p>Радиочастотное электромагнитное поле IEC 61000-4-3</p> <p>Поля близости от радиочастотных беспроводных коммуникационных Устройств IEC 61000-4-3</p>	<p>3 В среднеквадратическое напряжение от 150 кГц до 80 МГц</p> <p>3 В/м от 80 МГц до 2,7 ГГц</p> <p>9 до 28 В/м 15 специфических частот (380 до 5800 MHz)</p>	<p>3 В среднеквадратическое напряжение</p> <p>3 В/м</p> <p>9 до 28 В/м 15 специфических частот (380 до 5800 MHz)</p>	<p>Портативное и мобильное радиооборудование не рекомендуется использовать возле любой части устройства, включая кабели, ближе рекомендованного расстояния, рассчитанного в уравнении на основе частоты передатчика. Рекомендуемое расстояние $d = 1,2\sqrt{P}$</p> <p>$d = 1,2\sqrt{P}$, от 80 МГц до 800 МГц</p> <p>$d = 2,3\sqrt{P}$, от 800 МГц до 2,7 ГГц</p> <p>Здесь P — максимальная номинальная мощность передатчика на выходе в ваттах (Вт) согласно данным производителя, a d — рекомендованное расстояние в метрах (м).</p> <p>Напряженность поля, создаваемая постоянными РЧ-передатчиками и определяемая в результате практического измерения электромагнитного поля^a, должна быть меньше, чем значения для уровня соответствия в каждом диапазоне частот.^b Помехи могут возникать поблизости от оборудования, отмеченного таким знаком:</p> 
<p>ПРИМЕЧАНИЕ 1. В диапазоне частот от 80 МГц до 800 МГц применяется большее значение.</p> <p>ПРИМЕЧАНИЕ 2. Данные руководства применимы не во всех ситуациях. Поглощение и отражение электромагнитных волн зданиями, объектами и людьми влияют на их распространение.</p>			
<p>^a Напряженность поля от постоянных передатчиков, например базовых станций радиотелефонов (мобильных или беспроводных) и сухопутных систем подвижной радиосвязи, радиолюбительской связи, AM- и FM-радиостанций и телевизионных вышек, нельзя точно рассчитать в теории. Чтобы оценить электромагнитную обстановку вблизи от постоянных РЧ-передатчиков, необходимо провести практические измерения электромагнитного поля. Если измеренная напряженность поля в месте, где используется устройство превышает применимый уровень соответствия устойчивости к РЧ-помехам, указанный выше, необходимо внимательно следить за функционированием устройства, чтобы обеспечить нормальную работу. Если наблюдаются неполадки в работе устройства, могут потребоваться дополнительные меры, например перестановка или перемещение устройства.</p> <p>^b За пределами диапазона частот от 150 кГц до 80 кГц напряженность поля должна быть менее 3 В/м.</p>			

УСТАНОВКА



Риск неправильной установки.

Установку компрессора и ввод его в эксплуатацию должен выполнять только квалифицированный технический специалист. Этот специалист должен обучить представителей обслуживающего персонала эксплуатации и техническому обслуживанию оборудования. Чтобы подтвердить установку и обучение операторов, необходимо внести запись в журнал установки оборудования. (См. гарантийный талон)

10. УСЛОВИЯ ПРИ УСТАНОВКЕ

- Компрессор можно устанавливать и эксплуатировать только в сухих, хорошо проветриваемых и чистых помещениях, условия окружающей среды в которых соответствуют требованиям, изложенным в разделе «Технические характеристики».



Опасность повреждения устройства.

Оборудование нельзя эксплуатировать на открытом воздухе или во влажных либо сырых средах.



Опасность взрыва.

Запрещается применять оборудование в помещениях с наличием взрывоопасных газов, пыли или воспламеняющихся жидкостей.

- Компрессор нужно устанавливать так, чтобы он был легкодоступным для эксплуатации и технического обслуживания. Убедитесь, что паспортная табличка устройства легкодоступна.
- Компрессор должен располагаться на плоской и устойчивой поверхности с учетом его массы (см. раздел «Технические характеристики»).



После первого ввода изделия в эксплуатацию какое-то время может быть замечен «запах новой техники». Этот запах вскоре исчезнет, и он никак не влияет на нормальную эксплуатацию изделия. После установки убедитесь, что место установки проветривается должным образом.

11. КОМПРЕССОРНАЯ УСТАНОВКА

11.1. Перемещение и выгрузка компрессора

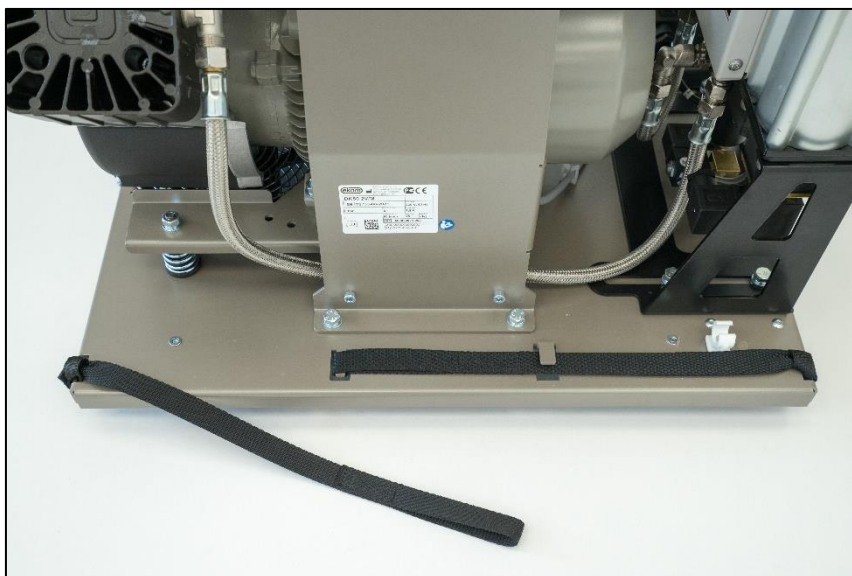
- Извлеките компрессор из упаковки.
- В случае компрессора со шкафом, откройте переднюю дверь и отсоедините крепежный ремень (17) в передней нижней части. Снимите шкаф с компрессора.
- Расположите компрессор в месте будущей эксплуатации (Рис. 4).



Если требуется перемещение компрессора, используйте ремни для транспортировки и ручку на компрессоре. Не используйте другие детали компрессора (воздушный насос, охладитель и т. д.) для закрепления.



Количество людей, задействованных для перемещения оборудования, должно соответствовать весу устройства.

Рис. 4: Перемещение компрессора с использованием ремней для транспортировки**Закрепление ремней для транспортировки после установки компрессора в месте работы**

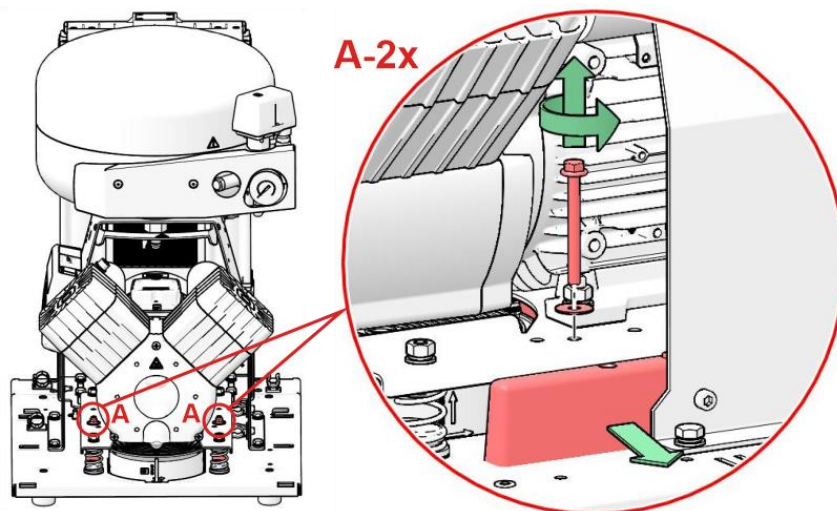
- Демонтируйте транспортировочные стабилизаторы с агрегатов (Рис. 5).



Перед установкой необходимо устранить все элементы упаковки и стабилизаторы, служащие для фиксации оборудования во время транспортировки, во избежание опасности повреждения изделия.

После окончательной установки и выравнивания компрессора на месте демонтируйте все приспособления, использовавшиеся для защиты агрегатов.

Рис. 5: Разъединение агрегатов



12. ПНЕВМАТИЧЕСКИЕ СОЕДИНЕНИЯ

12.1. Подключение к выпускному воздуховоду сжатого воздуха

- Подключите шланг давления (2) к выпускному патрубку сжатого воздуха (1) компрессора (Рис. 6).
- Закрепите шланг давления в зажиме (3) (Рис. 6).
- Проложите шланг давления через отверстие, расположенное слева на задней стенке шкафа (Рис. 8) к компрессорам в шкафу.

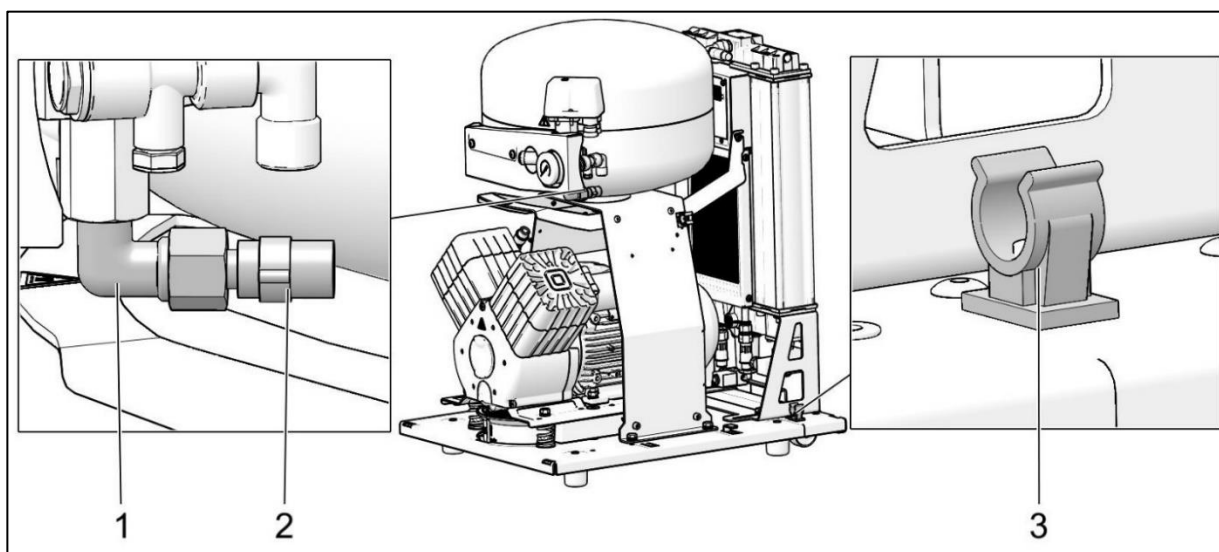


Рис. 6: Подключение к патрубку сжатого воздуха

12.2. Подключение манометра шкафа к компрессору

- Снимите резьбовую заглушку (1) с пневматического блока (2) на компрессоре.
- Подключите напорный шланг шкафа к фитингу с резьбой.

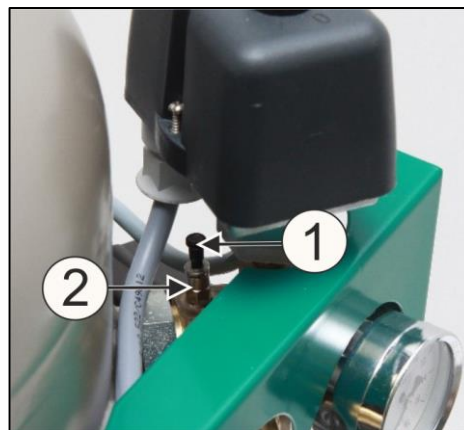


Рис. 7: Подключение манометра шкафа к компрессору

12.3. Подключение емкости для конденсата

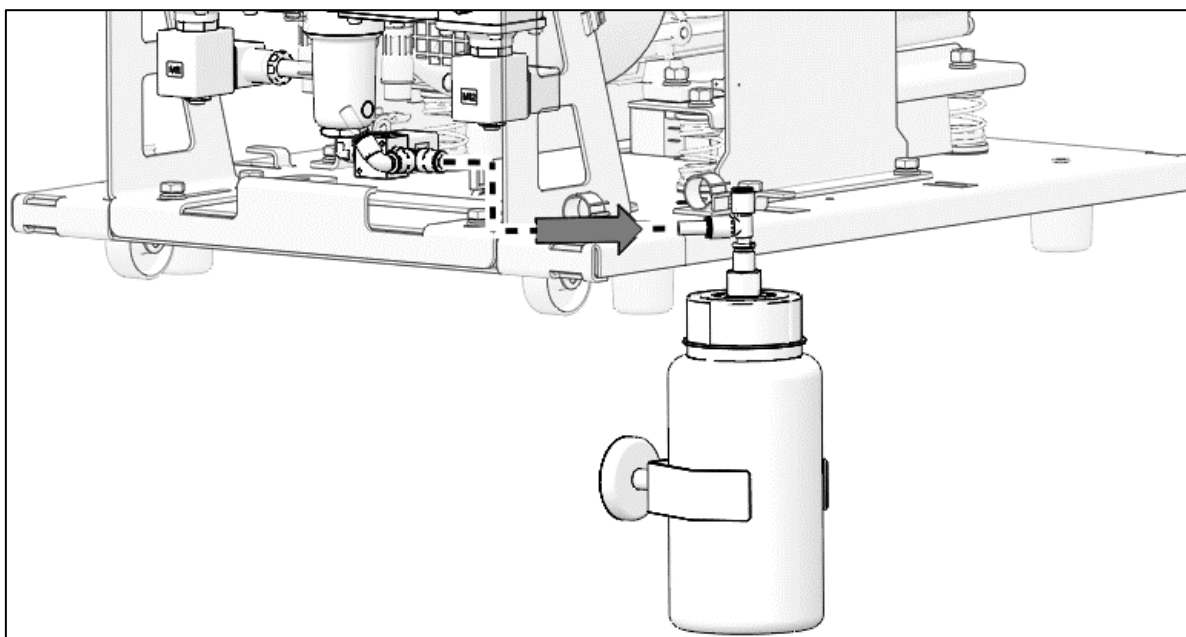
- Подключите дренажный шланг конденсата к баллону конденсата на компрессорах в шкафу (Рис. 8).
- Установите заглушку в свободный выпуск емкости для сбора конденсата.
- Проложите шланг через отверстие в задней стенке для компрессоров с осушителями. Подключите емкость для сбора конденсата к выпуску конденсата на осушителе с помощью шланга.

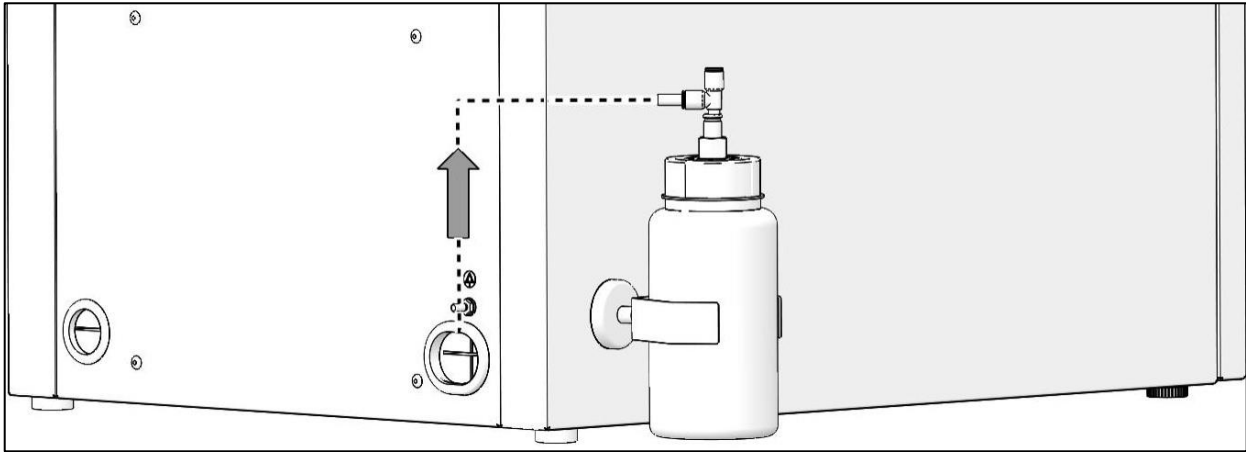


Опасность травм.

**Не присоединяйте слив для конденсата непосредственно к канализации!
Проходящие мимо люди могут получить травмы!**

Рис. 8: Подключение емкости для конденсата





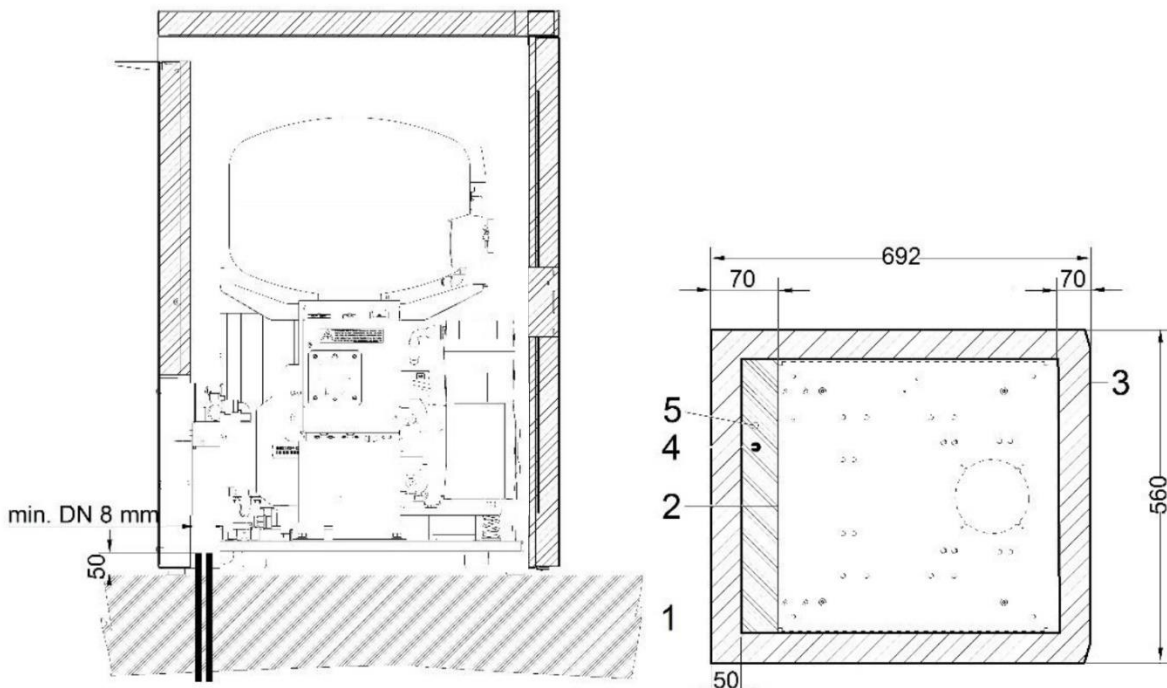
Возможно повреждение пневматических компонентов.

Убедитесь, что нет изгибов воздушных шлангов.

12.4. Установка на полу

Подсоедините компрессор, используя заранее подготовленные шланги на полу согласно плану установки.

Рис. 9: Установка на полу



Описание для Рис. 9:

- | | |
|---------------------------|---|
| 1. Схема шкафа | 4. Соединение для подачи сжатого воздуха, G3/8" |
| 2. Схема основания | 5. Вход для подключения источника питания : |
| 3. Передняя часть, дверца | 230 В /50(60) Гц 3Gx1.0x4000 |
| | 3x400 В /50 Гц 5Gx1.0x4000 |

- Все размеры указаны в миллиметрах
- Минимальное расстояние от стены: 100 мм

13. ЭЛЕКТРИЧЕСКИЕ СОЕДИНЕНИЯ

- Изделие поставляется в комплекте с заземленной вилкой
- Розетка должна находиться в легкодоступном месте, чтобы в экстренной ситуации можно было безопасно отключить устройство от сети.
- Сила тока, поступающего из распределительного шкафа, не должна превышать 16 А.



Опасность поражения электрическим током.

Убедитесь, что полностью соблюдены все местные электротехнические правила и нормы. Напряжение и частота электросети должны соответствовать данным, указанным на этикетке устройства.



Существует риск возгорания и поражения электрическим током.

Не допускайте контакта электрического кабеля с нагревающимися компонентами компрессора.



Существует риск возгорания и поражения электрическим током.

Любой поврежденный электрический шнур или воздушный шланг необходимо немедленно заменить.



Шкаф компрессора DK50 2V S/M в варианте исполнения для давления 6-8 бар оснащается вентилятором охлаждения и реле. Шкаф должен подключаться с помощью шнура с разъемом к разъему на электрическом щите компрессора.

- Подключите контакт (\varnothing 6 мм) (1) для эквипотенциального соединения к электрической сети, используя метод, указанный в действующих нормативных актах в области электротехники.
- Розетка для эквипотенциального соединения (2) — это дополнительная принадлежность, она не входит в базовый комплект поставки.



Рис. 10: Эквипотенциальное соединение

13.1. Подключение компрессора, не установленного в шкаф

- Вставьте вилку в розетку номинального напряжения.
- Компрессор готов к эксплуатации.

13.2. Подключение компрессора, установленного в шкаф

- Выведите вилку сетевого шнура через отверстие в задней стенке шкафа.
- Подключите шкаф к компрессору, вставив поставляемый в комплекте шнур питания со штекером (1) в розетку (2) (Рис. 11).
- Отключите шкаф от компрессора, открыв защелку и вынув штекер (1) из розетки.
- Подготовьте дисплей на передней двери шкафа и затем закрепите шнур в клеммах дисплея (Рис. 16).

Рис. 11: Подключение шкафа к компрессору



14. ВЫБОР РАСПОЛОЖЕНИЯ КОМПРЕССОРА В ШКАФУ

- Расположите компрессор на расстоянии минимум 500 мм от шкафа, чтобы облегчить перемещение шлангов и кабеля питания в шкафу (Рис. 12).

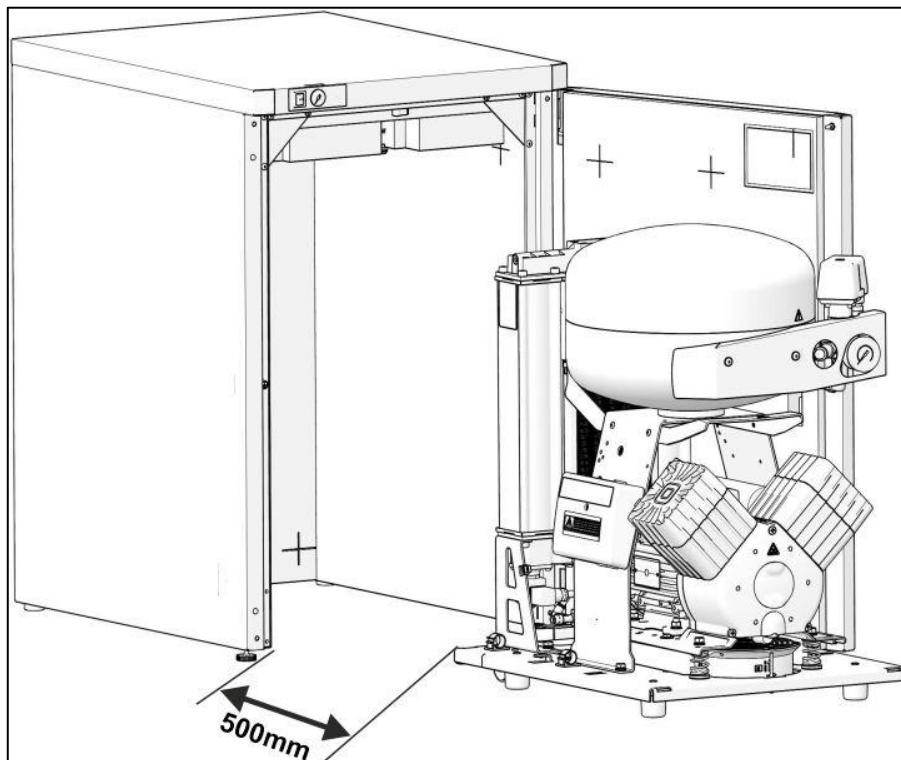


Рис. 12: Выбор расположения компрессора для подключения

- Выполните пневматические подключения согласно главе 12.1.
- Подключите бак конденсата согласно главе 12.3.
- Проложите шланг давления, шланг слива конденсата и шнур питания через отверстие в задней стенке шкафа.
- Расположите компрессор на таком расстоянии от шкафа, чтобы можно было подключить разъем WINSTA между компрессором и шкафом (Рис. 11, Рис. 13).

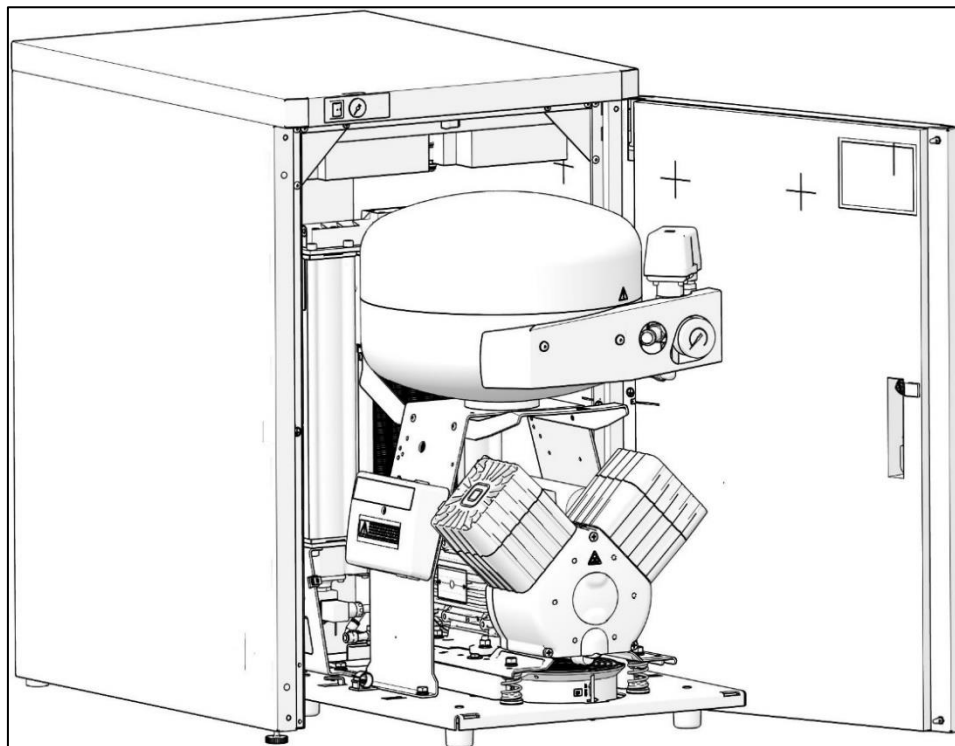


Рис. 13: Расположение компрессора для выполнения электрических подключений

- Выполните электрические подключения компрессора согласно главе 13.
- Задвиньте компрессор в шкаф и закрепите его крепежным ремнем (17).



Компрессор с осушителем запрещено вставлять в шкаф до упора, так как возможно необратимое повреждение осушителя.

- Удостоверьтесь, что компрессор полностью задвинут в шкаф, руководствуясь контрольным размером (Рис. 14).

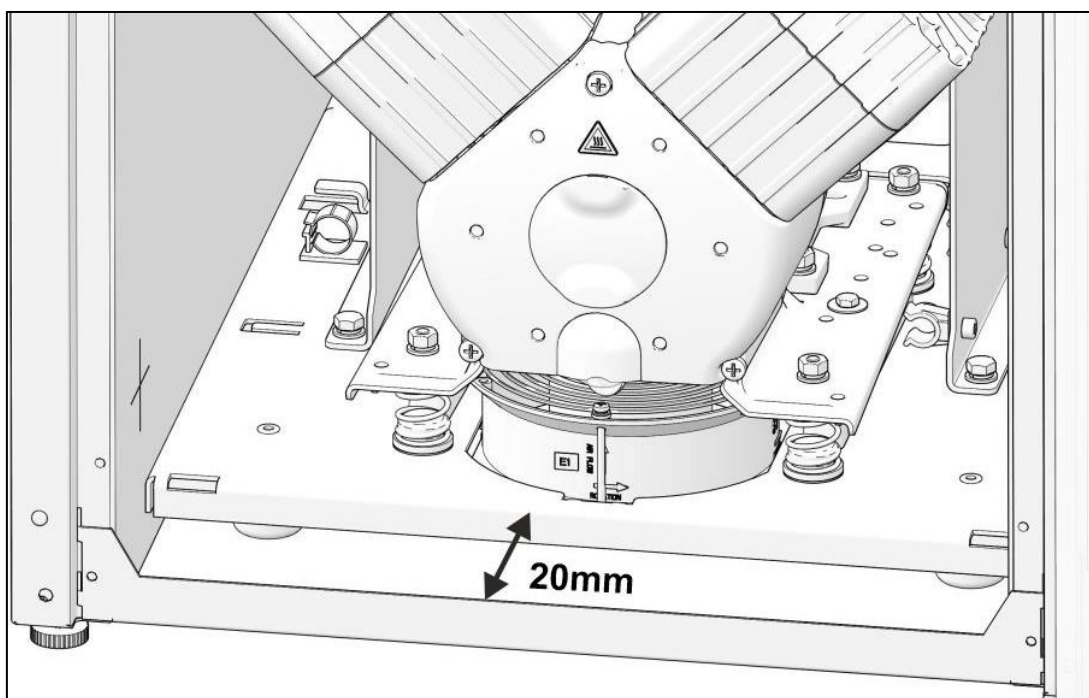


Рис. 14: Расположение компрессора DK50 2V/M в шкафу

- Подключите манометр шкафа к компрессору согласно главе 12.2.
- Подсоедините дисплей на передней двери шкафа (Рис. 15), и закрепите шнур дисплея в зажимах (Рис. 16).



Рис. 15: Подключение разъема дисплея

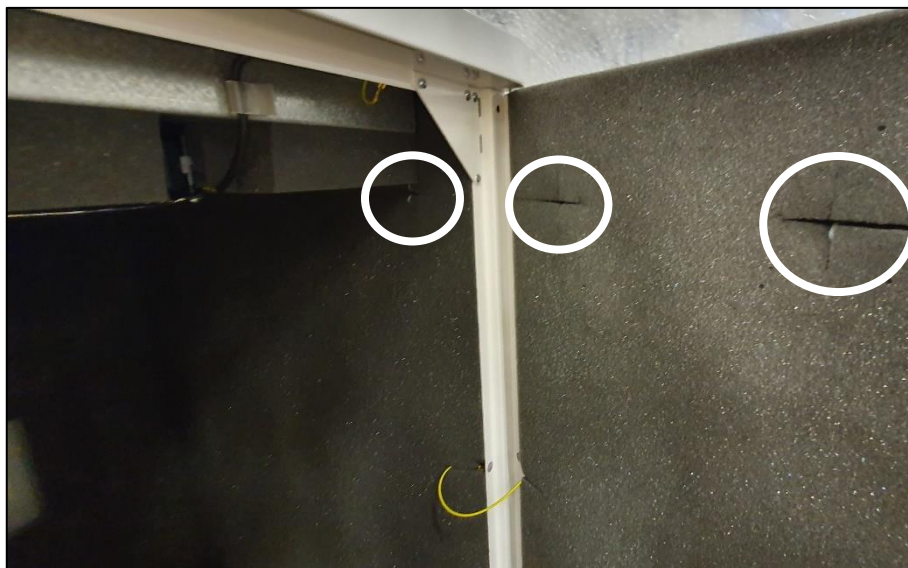


Рис. 16: Расположение клемм в шкафу

15. ПЕРВЫЙ ЗАПУСК УСТРОЙСТВА

- Убедитесь, что сняты транспортные стабилизаторы.
- Проверьте все соединения шлангов сжатого воздуха. (см. раздел 12).
- Убедитесь, что компрессор надлежащим образом подключен к источнику питания (см. раздел 13).
- Убедитесь, что переключатель находится в положении «I» (ВКЛ.). Если переключатель (2) находится в положении «0» (ВЫКЛ.), установите его в положение «I» (ВКЛ.) (Рис. 17).
- Для компрессоров, устанавливаемых в шкафу: поверните выключатель (5) на

передней стенке шкафа в положение I. Зеленый сетовой индикатор указывает, что устройство работает (Рис. 17).

- Проверьте подключение шланга манометра шкафа к пневматическому блоку компрессора.
- Проверьте подсоединение емкости для сбора конденсата (см. раздел. 12.3).
- Проверьте подключение дисплея на передней двери шкафа.
- Установите язык, время и режим осушки (см. раздел.20.2) на дисплее компрессора.

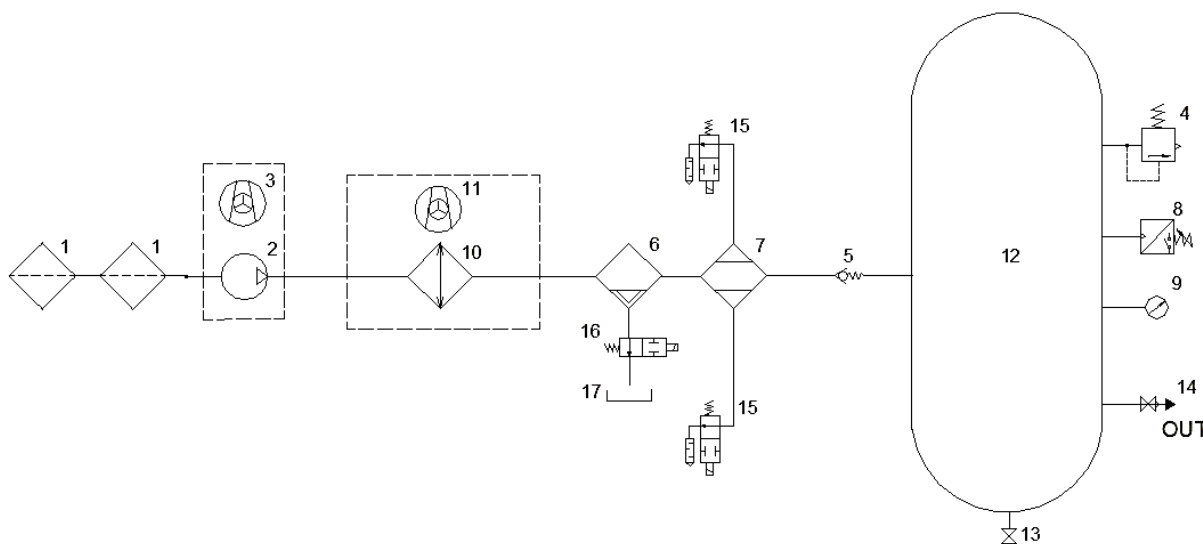


Компрессор не укомплектован резервным источником питания.

16. ПНЕВМАТИЧЕСКИЕ И ЭЛЕКТРИЧЕСКИЕ СХЕМЫ

16.1. Схема воздушной системы

DK50 2V/M, DK50 2V S/M



Условные обозначения на схеме циркуляции сжатого воздуха:

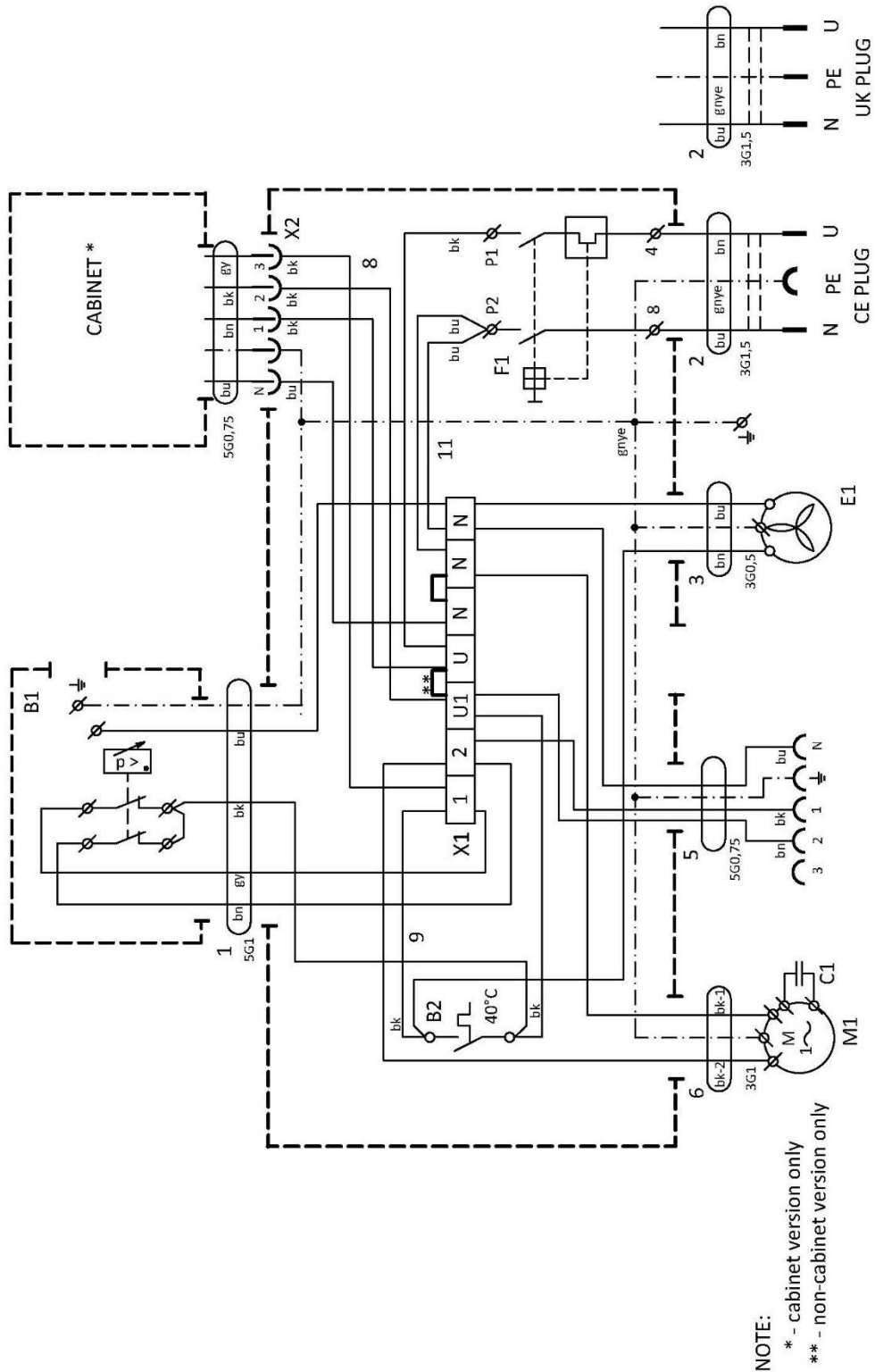
- | | | | |
|---|--------------------------|----|--|
| 1 | Всасывающий фильтр | 10 | Охладитель |
| 2 | Агрегат | 11 | Кулер вентилятор |
| 3 | Вентилятор компрессора | 12 | Ресивер |
| 4 | Предохранительный клапан | 13 | Клапан слива конденсата |
| 5 | Обратный клапан | 14 | Запорный клапан |
| 6 | Отделитель конденсата | 15 | Электромагнитный клапан – регенерация |
| 7 | Осушитель | 16 | Электромагнитный клапан слива конденсата |
| 8 | Реле давления | 17 | Резервуар для сбора конденсата |
| 9 | Манометр | | |

16.2. Схема электрических соединений

DK50 2V S/M

1/N/PE 230 В, 50/60 Гц

ЭЛЕКТРИЧЕСКИЙ ОБЪЕКТ 1-й КАТЕГОРИИ



Примечание:

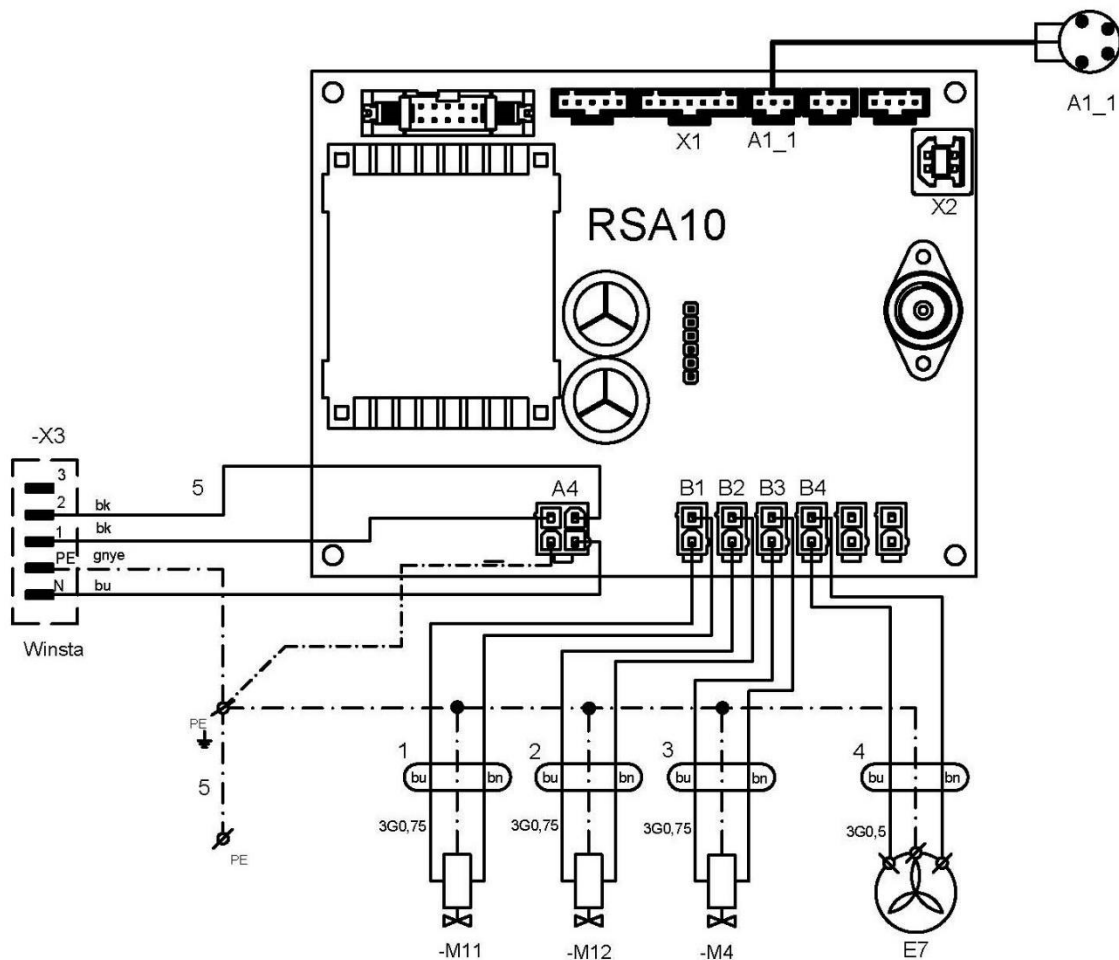
- Переключатель устанавливается только для моделей компрессоров, не устанавливаемых в шкаф (см. Раздел 23.10)

AD140

1/N/PE ~ 230В, 50 Гц / 230 В, 60 Гц

~ 120 В, 60 Гц

ЭЛЕКТРИЧЕСКИЙ ОБЪЕКТ 1-й КАТЕГОРИИ

**Примечание:**

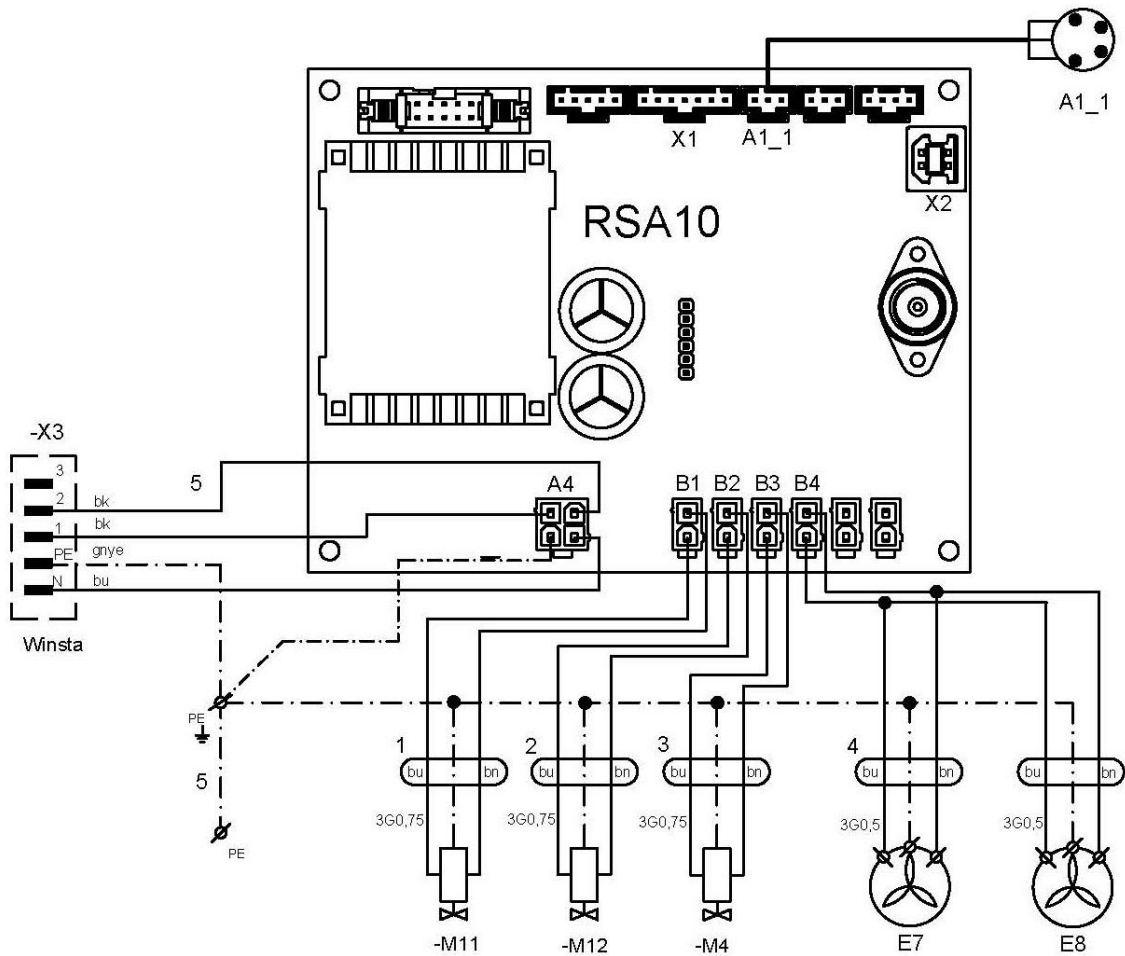
- Датчик точки конденсации (A1_1) не входит в комплект сушилки; за подробной информацией обращайтесь к вашему поставщику.

AD280

1/N/PE ~ 230 В, 50 Гц / 230 В, 60 Гц

~ 120 В, 60 Гц

ЭЛЕКТРИЧЕСКИЙ ОБЪЕКТ 1-й КАТЕГОРИИ



Примечание:

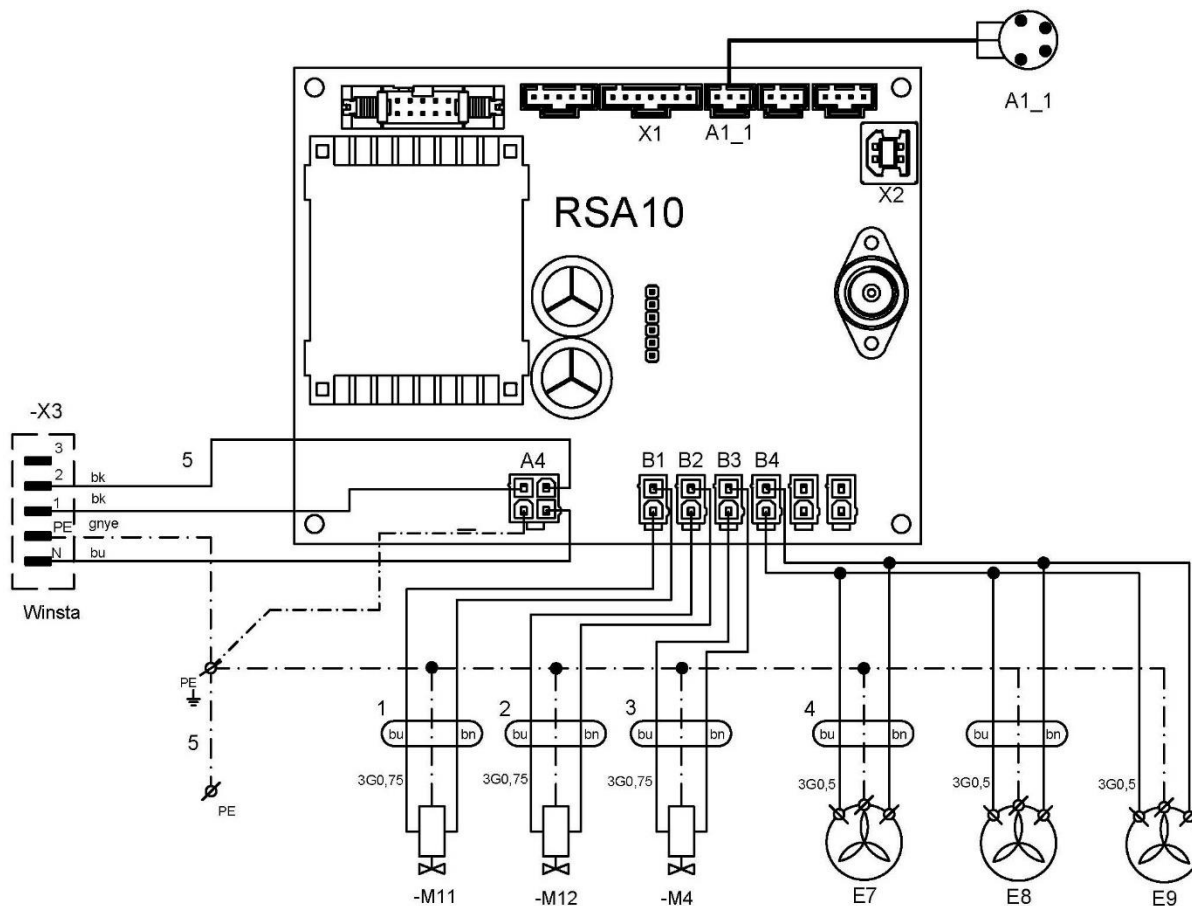
- Датчик точки конденсации (A1_1) не входит в комплект сушилки; за подробной информацией обращайтесь к вашему поставщику.

AD500

1/N/PE ~ 230 В, 50 Гц / 230 В, 60 Гц

~ 120 В, 60 Гц

ЭЛЕКТРИЧЕСКИЙ ОБЪЕКТ 1-й КАТЕГОРИИ

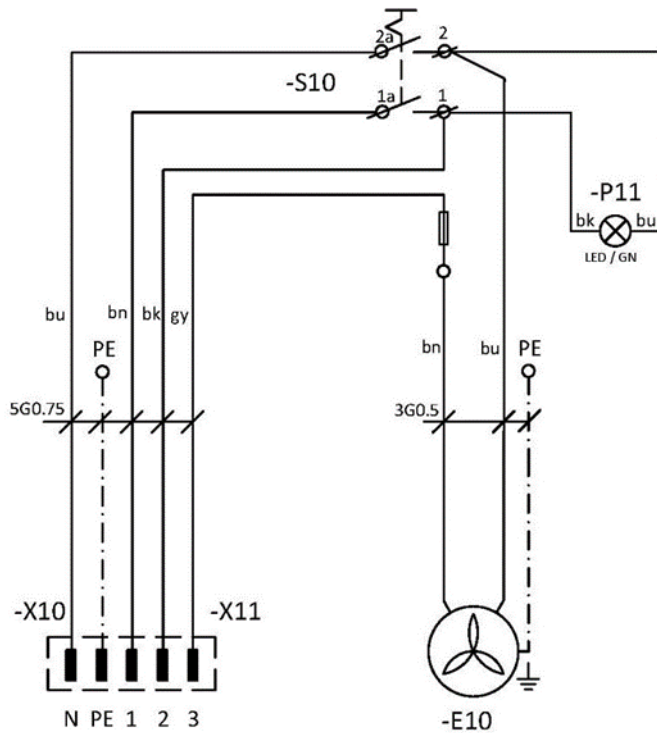
**Примечание:**

- Датчик точки конденсации (A1_1) не входит в комплект сушилки; за подробной информацией обращайтесь к вашему поставщику.

Шкаф компрессора

1/N/E 230 В, 50 Гц

ЭЛЕКТРИЧЕСКИЙ ОБЪЕКТ 1-й КАТЕГОРИИ



Условные обозначения на электрической схеме

M1	Двигатель компрессора	F1	Автоматический выключатель
E1	Вентилятор компрессора	S10	Выключатель
E7-E9	Вентилятор осушителя	P11	Индикатор
E10	Вентилятор шкафа	RSA 10	Контроллер
B2	Термореле	M11, M12	Электромагнитный клапан - регенерация
X10,X11	Разъем	M4	Разгрузочный электромагнитный клапан
B1	Реле давления	X2, X3	Розетка
X1	Распределительная коробка	A1_1	Разъем датчика конденсации

ЭКСПЛУАТАЦИЯ

К РАБОТЕ С УСТРОЙСТВОМ ДОПУСКАЕТСЯ ТОЛЬКО ОБУЧЕННЫЙ ПЕРСОНАЛ!



Опасность ожогов или возгорания.
Некоторые поверхности агрегата компрессора сильно нагреваются.



Предупреждение: Компрессор управляется автоматически.
Автоматический запуск. Когда давление в ресивере понижается до нижнего предела, компрессор автоматически включается. Компрессор автоматически выключается, когда давление в ресивере достигает уровня отключения.



Возможно повреждение пневматических компонентов.
Параметры рабочего давления для реле давления, заданные производителем, невозможно изменить. Работа компрессора при рабочем давлении ниже уровня включения свидетельствует о большом потреблении воздуха подключенным устройством (см. раздел «СРЕДСТВА И МЕТОДЫ УСТРАНЕНИЯ ПРОБЛЕМ»).



Опасность повреждения осушителя.
Сушилка может быть повреждена при работе при температурах окружающей среды, превышающих максимальную рабочую температуру.



Необходимая степень осушения воздуха достигается только при указанных условиях эксплуатации.
Степень осушения воздуха (и, соответственно, температура конденсации) снижается, если рабочее давление не достигает минимального.



При длительной работе компрессора температура внутри моделей с корпусом может превысить 40°C. При этом автоматически включаются охлаждающий вентилятор в корпусе и вентилятор компрессора. Вентиляторы останавливаются автоматически, когда температура окружающего пространства опускается ниже 32°C.

17. ВКЛЮЧЕНИЕ КОМПРЕССОРА

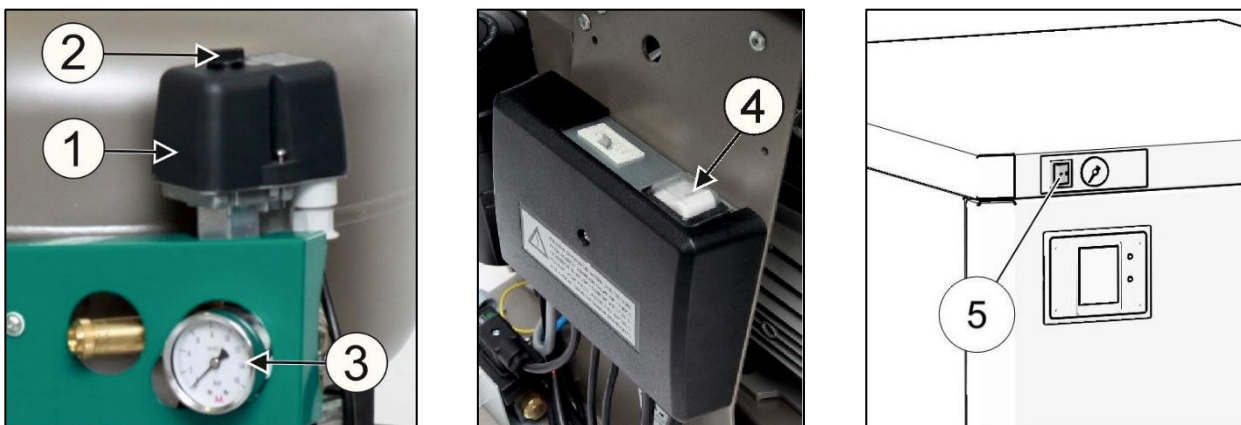
Запустите компрессор (без шкафа), повернув переключатель (2) на реле давления (1) в положение «I». В результате компрессор будет запущен, а бак заполнен до уровня выключающего давления, после чего компрессор отключится.

Запустите компрессор (со шкафом), повернув выключатель (5) на передней стороне шкафа. В результате компрессор будет запущен, а бак заполнен до уровня выключающего давления, после чего компрессор отключится.

Затем компрессор будет работать в автоматическом режиме; реле давления будет включать и выключать его в зависимости от потребления сжатого воздуха.

Значения уровней давления включения и выключения можно проверить на манометре (3). Допускается погрешность до $\pm 10\%$. Давление воздуха в ресивере не должно превышать допустимое рабочее давление.

Рис. 17: Включение компрессора



- **Компрессор.** При первом запуске и введении в эксплуатацию компрессор наполняет ресивер до уровня давления срабатывания, пока реле давления не выключит компрессор. Затем компрессор работает в автоматическом режиме, включаясь и выключаясь с помощью реле давления в зависимости от потребления сжатого воздуха.
- Во время работы компрессора сжатый воздух проходит через охладитель и осушитель, который удаляет влагу из сжатого воздуха.
- Конденсат также сбрасывается из сливного отверстия осушителя, о чем свидетельствует характерное шипение при отключении компрессора или переключении камер осушения.



Риск повреждения частей пневматической системы.

Переключатель давления (1) настроен производителем, его параметры может изменять только квалифицированный технический специалист, прошедший обучение у производителя.

18. ВЫКЛЮЧЕНИЕ КОМПРЕССОРА

- Чтобы выключить компрессор для выполнения технического обслуживания или по другой причине, поверните переключатель (2) на реле давления (1) в положение 0 (Рис. 17) и выньте вилку из розетки электросети. В результате компрессор будет отсоединен от источника питания.
- Для полного сброса давления в воздушном резервуаре откройте дренажный клапан.

АДСОРБЦИОННЫЙ ОСУШИТЕЛЬ

19. ПРИНЦИП ДЕЙСТВИЯ

Осушитель управляется сигналом, поступающим от реле давления компрессора.

Во время работы компрессора сжатый воздух поступает в охладитель, где он охлаждается, а часть конденсированной влаги отделяется во встроенном циклическом сепараторе. В нижней части сепаратора находится электромагнитный клапан V3, который сливает конденсат из сепаратора через равные промежутки времени.

Затем воздух поступает в камеру логического клапана OR1, который отслеживает давление. Если давление в камере клапана не достигает значения $P1 = 3$ бар, электромагнитные клапаны восстановления V1 и V2 (нормально закрытого типа) остаются закрытыми и восстановление не запускается. Если давление в камере логического клапана достигает 3 бар, запускается переключение камер с помощью логики, описанной в п 19.1.

Когда сигнал, поступающий от реле давления компрессора, отключается, клапаны восстановления V1 и V2 открываются на короткое время для продувки компрессорного агрегата и сушильной камеры.

Вентиляция и регенерация осушителя осуществляется посредством шланга, соединенного с дренажным патрубком сепаратора конденсата, поэтому патрубок конденсата нельзя подключить напрямую к дренажу.

19.1. Восстановление осушителя

Восстановление осушителя запускается, когда рабочее давление составляет $P1 = 3$. Во время восстановления клапаны V1 и V2 переключаются циклически, в результате чего возникает кратковременная задержка (dT) для выравнивания давления в камерах, в ходе которой оба клапана закрываются перед каждым циклом переключения.

В камере 1 рабочее давление, и эта камера находится в фазе сушки, тогда как в камере 2 атмосферное давление, и эта камера находится в фазе восстановления. Камера восстанавливается путем прохождения воздуха через форсунку осушителя.

19.2. Режим экономии энергии „Energy saving“ (только для моделей с датчиками температуры конденсации)

Осушители, оснащенные датчиками температуры конденсации, имеют дополнительный контроль над продувочным воздухом, чтобы поддерживать заданную температуру конденсации.

После того, как установится заданная температура конденсации, восстановление прекращается, чтобы оптимизировать количество продувочного воздуха. Когда восстановление прекращается, оба клапана V1 и V2 закрываются (и, следовательно, прекращается продувка камеры сухим воздухом).

Они продолжают переключаться периодически в соответствии со своим стандартным интервалом для выравнивания нагрузки на камеры.

При повышении точки конденсации режим Экономии энергии „Energy saving“ отключается, и осушитель продолжает работать с включенной регенерацией.

Продолжительность режима с отключенным восстановлением

Режим экономии энергии „Energy saving“ с отключенной регенерацией ограничен по времени. По окончании определенного интервала (4 переключения камеры) добавляется один цикл со стандартным восстановлением обеих камер.

19.3. Система аварийной сигнализации

Все аварийные сигналы устройства классифицируются как технические аварийные сигналы низкого уровня приоритета согласно EN 60601-1-8. Все аварийные сигналы подаются с помощью визуальной сигнализации (см. главу 20) и мигающего светового индикатора. В случае неисправности обратитесь к авторизованному поставщику услуг для проведения ремонта.

Состояние аварийной сигнализации указывает на потенциальную неисправность устройства. Таким образом, аварийные сигналы не могут быть отключены.

Аварийные сигналы подаются временно – после устранения причины аварийная сигнализация отключается.

Положение оператора. Особое положение оператора не требуется. Оператор может находиться в пределах видимости сигнала предупреждения, в зависимости от текущих рабочих условий.

Низкое давление. Этот сигнал активируется в случае, если датчик давления осушителя определяет низкое давление в осушителе, ниже заданного предела 3 бар. Подача этого аварийного сигнала во время работы может быть вызвана утечкой воздуха из компрессора/осушителя, сбоем управляющих электромагнитных клапанов на осушителе или ошибкой программного обеспечения.

Высокое давление. Этот сигнал активируется в случае, если датчик давления осушителя определяет повышение давления выше заданного верхнего предела. В этом случае агрегат выключится и останется выключенным, пока давление снова не понизится. Если агрегат не выключается, излишнее давление сбрасывается через предохранительный клапан на воздушном резервуаре компрессора.

Высокая точка конденсации. Этот сигнал подается в случае, когда датчик точки конденсации считывает высокое значение точки конденсации.

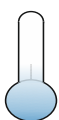
Истечение срока сервисного интервала. Этот сигнал подается до тех пор, пока не будет выполнено обслуживание и не будет обнулен/задан новый сервисный интервал.

20. ПОЛЬЗОВАТЕЛЬСКИЙ ИНТЕРФЕЙС/НАСТРОЙКИ

20.1. Значение символов на дисплее



Символ, обозначающий руководство пользователя или необходимость ознакомления с руководством пользователя.



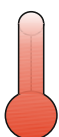
Знак, обозначающий окружающую температуру (от 25°C), относящуюся к выбранному режиму.

Программа регулирует предварительное заполнение камеры в заданном режиме.



Знак, обозначающий окружающую температуру (от 25°C до 30°C), относящуюся к выбранному режиму.

Программа регулирует предварительное заполнение камеры в заданном режиме.



Знак, обозначающий окружающую температуру (более 30°C), относящуюся к выбранному режиму.

Программа регулирует предварительное заполнение камеры в заданном режиме.



Возврат в главное меню на 4 основных экранах.



Переход назад



Необходимо провести техническое обслуживание



Сушильная камера сейчас в режиме восстановления



Сушильная камера сейчас в режиме сушки



Предварительное заполнение камеры — выравнивание давления в камерах.

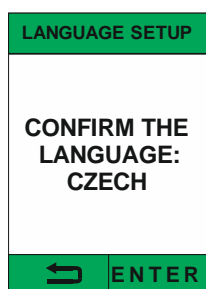
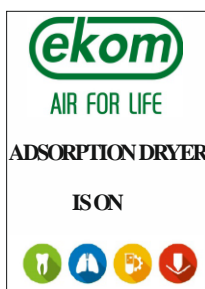


Индикация работы устройства

Индикация состояния аварийной сигнализации (подается до тех пор, пока не будет устранена причина аварийной сигнализации)

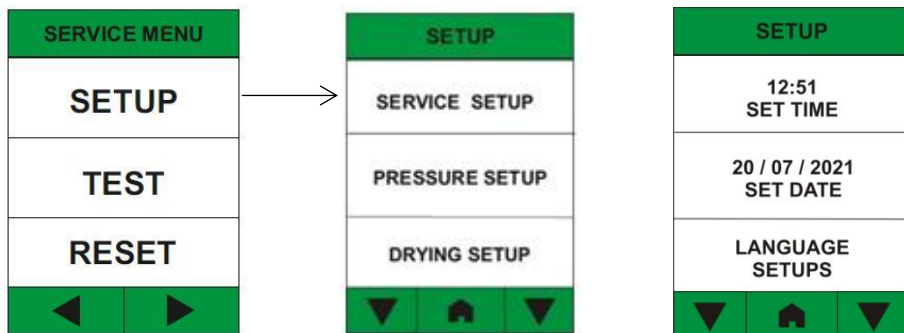
20.2. Начальные настройки пользовательского интерфейса

При первом запуске программы вы можете выбрать язык интерфейса и формат даты/времени. Специалист по обслуживанию выбирает язык и формат даты/времени во время установки исходя из географического местоположения осушителя. Программа сохраняет и запоминает эту настройку. При следующем запуске программы эта опция не появляется. Подтверждение данной опции также запускает обратный отсчет времени до обслуживания.



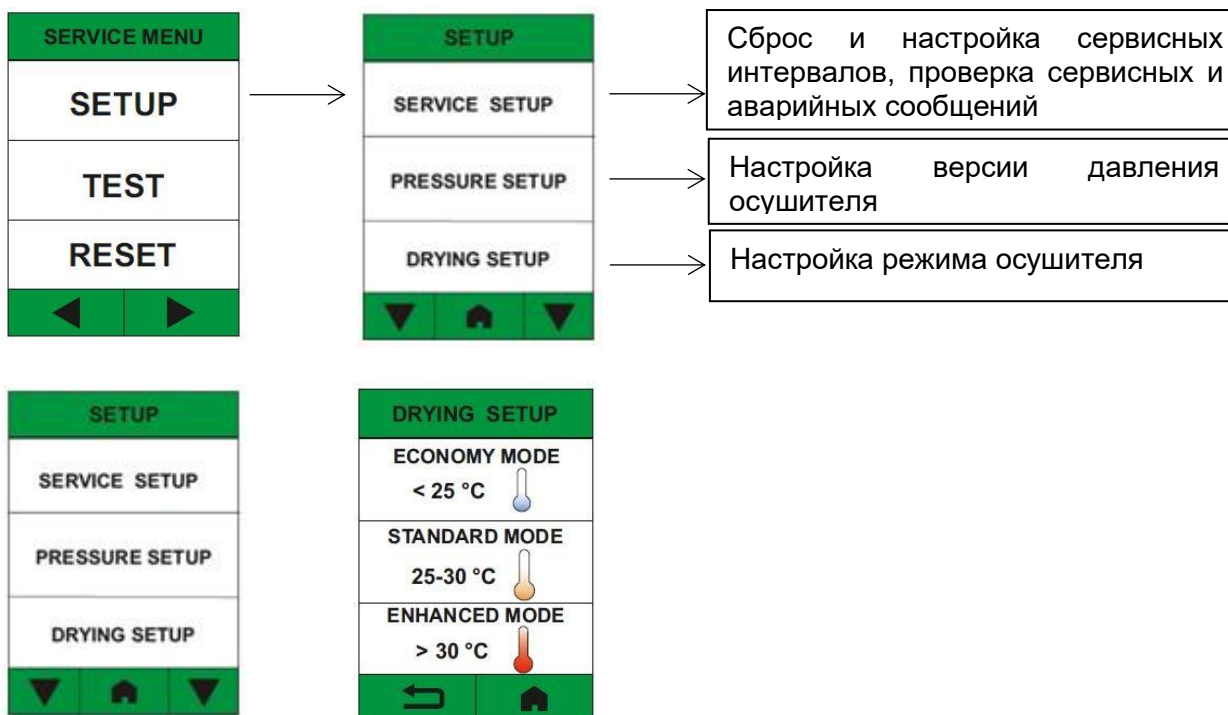
20.3. Выбор даты и времени во время настройки

Рекомендуется устанавливать дату и время во время настройки. Эти настройки меняются в сервисном меню в разделе НАСТРОЙКА. Доступ к сервисному меню защищен кодом (1992). Для настройки даты и времени нажмите кнопку со стрелкой вниз в меню НАСТРОЙКА. Кроме того, вы можете поменять настройки языка интерфейса пользователя в пункте НАСТРОЙКИ ЯЗЫКА.



20.4. Настройка режима осушения во время настройки

Режим осушения воздуха рекомендуется выбирать во время настройки. Эти настройки можно поменять в разделе СЕРВИСНЫЕ НАСТРОЙКИ сервисного меню. Доступ к сервисному меню защищен кодом.



Режим осушения выбирается в зависимости от ожидаемого диапазона давлений, при котором будет работать устройство, и версии компрессора (со шкафом или без него).

- компрессор без шкафа $t_0 < 25\text{ °C}$ - в ЭКОНОМИЧНОМ режиме (ECONOMY)
- компрессор без шкафа $t_0 = 25\text{ °C} - 30\text{ °C}$ - в СТАНДАРТНОМ режиме (STANDARD)
- компрессор без шкафа $t_0 > 30\text{ °C}$ - в УЛУЧШЕННОМ режиме (ENHANCED)
- компрессор в шкафу - в УЛУЧШЕННОМ режиме (ENHANCED)

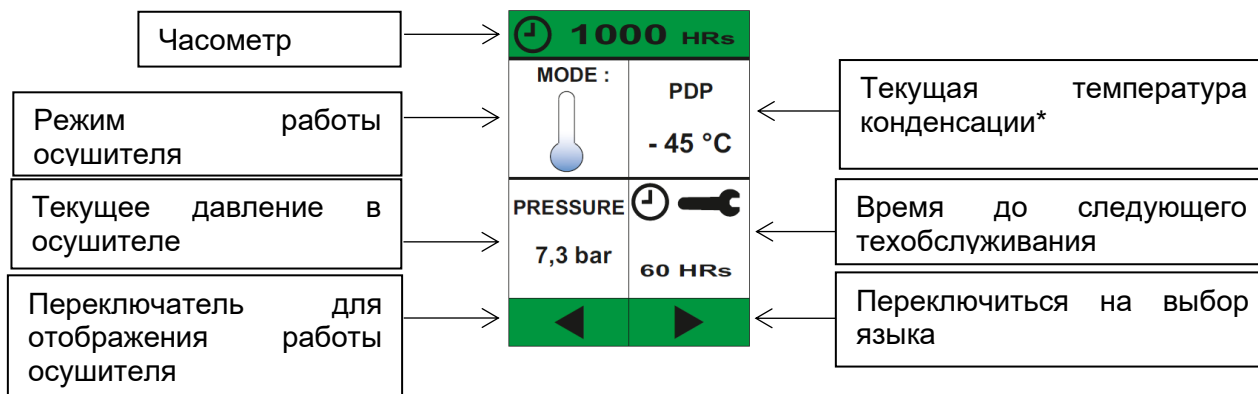
t_0 - окружающая температура

21. ОСНОВНЫЕ ЭКРАНЫ

Главный экран открывается после выбора языка интерфейса пользователя и режима осушки. Из главного окна можно перейти к четырем основным экранам.

Стрелки внизу экрана используются для перехода между отдельными экранами.

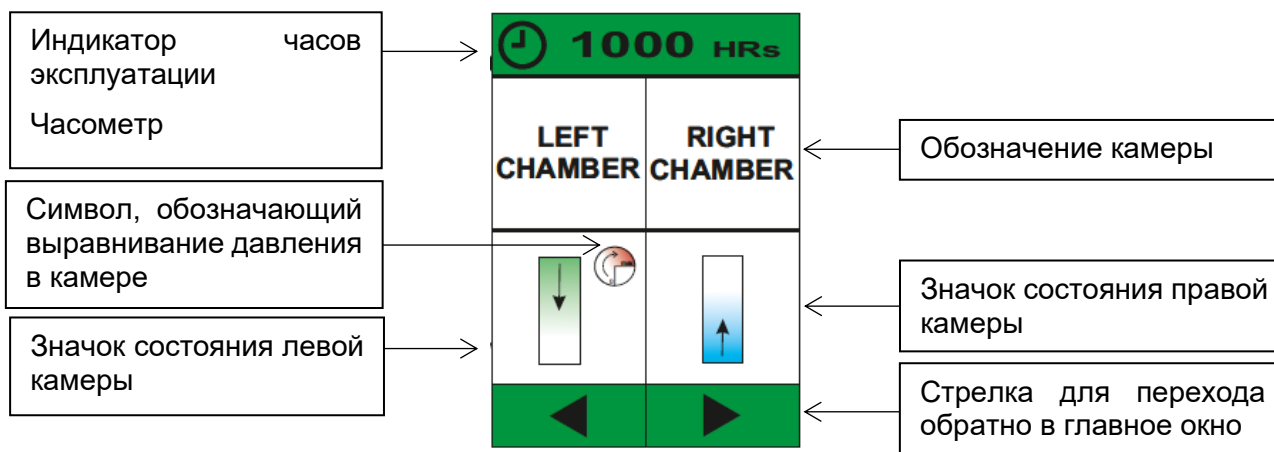
21.1. Главное окно



(* Эта информация отображается только в том случае, если компрессор оснащен датчиком температуры конденсации.)

- Основная информация и измеряемые параметры отображаются в главном окне осушителя. Индикатор часов эксплуатации расположен вверху экрана. Главное окно разделено на четыре части, в которых отображается следующая информация:
- Режим работы осушителя (см. Главу 20.1)
- Текущее давление в осушителе (минимальное рабочее давление для активации восстановления осушителя составляет 3 бар)
- Текущее значение температуры конденсации под давлением (только для компрессоров, оснащенных датчиком температуры конденсации)
- Время, оставшееся до следующего техобслуживания (см. главу 22.1, 22.2 — «Периодичность технического обслуживания»)

21.2. Экран работы осушителя



Индикатор часов эксплуатации расположен вверху экрана. Экран работы осушителя также разделен на четыре части, где показаны рабочие циклы сушильной камеры с использованием графического представления рабочего состояния каждой камеры.



Сушильная камера сейчас в режиме восстановления



Сушильная камера сейчас в режиме сушки



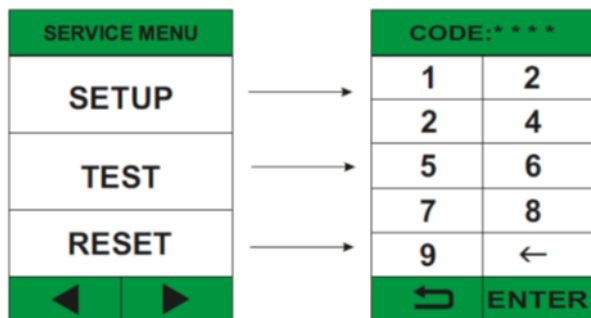
Предварительное заполнение камеры — выравнивание давления в камерах.

21.3. Экран языковых настроек



Экран языковых настроек — это один из основных экранов.

21.4. Экран меню техобслуживания



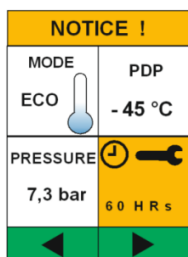
Меню техобслуживания предназначено исключительно для обслуживающего персонала. Доступ к отдельным пунктам меню защищен паролем (1992).

22. ИНДИКАЦИЯ СОСТОЯНИЯ ТЕХНИЧЕСКОГО ОБСЛУЖИВАНИЯ И АВАРИЙНОГО СОСТОЯНИЯ

Контроллер адсорбционного осушителя может измерять выбранные параметры (давление и температуру конденсации под давлением в версиях, в которых предусмотрено наличие датчика температуры конденсации) и оценивать основные рабочие состояния осушителя.

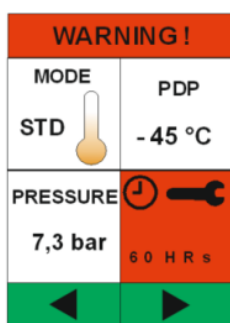
На основании измеренных параметров и данных о техобслуживании контроллер выводит на экран информацию о неисправностях, используя следующие уведомления и предупреждения.

22.1. Уведомление — Приближается время техобслуживания



- За 100 часов эксплуатации до следующего техобслуживания появляется выделенное желтым цветом уведомление Notice! («Уведомление!»). Клетка техобслуживания также загорается желтым цветом.
- На экране также отображается время, оставшееся до следующего техобслуживания.
- Это уведомление отображается до тех пор, пока не будет проведено техобслуживание и сброшен интервал между техническим обслуживанием.

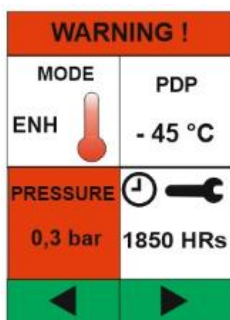
22.2. Предупреждение — Превышен интервал между техническим обслуживанием



- После истечения интервала между техническим обслуживанием на экране появляется выделенное красным цветом предупреждение Warning! («Предупреждение!»). Клетка техобслуживания также загорается красным цветом.
- Это уведомление отображается до тех пор, пока не будет проведено техобслуживание и сброшен интервал между техническим обслуживанием.
- На экране также отображается время до следующего техобслуживания.
- Список предупреждений сохраняется в журнале предупреждений (Warning log).
- осушитель продолжает нормальную работу

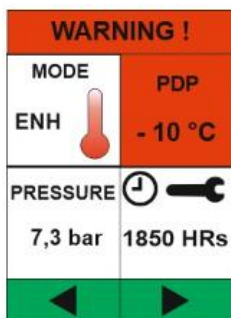
22.3. Аварийная ситуация

Низкое/высокое давление



- В случае низкого (< 3 бар) или высокого давления (> 8,5 бара или > 10,5 бара, в зависимости от версии оборудования) на экране появляется выделенное красным цветом предупреждение Warning! («Предупреждение!»). Одновременно с этим клетка текущего давления загорается красным цветом.
- Предупреждение отображается на экране до тех пор, пока сохраняется аварийная ситуация.
- Список предупреждений сохраняется в журнале предупреждений (Warning log).
- осушитель не работает нормально, регенерация не запускается, компрессор должен быть отключен.

Высокая температура конденсации

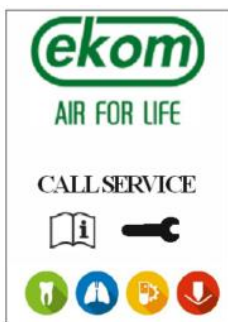


- Это предупреждение появляется только на осушителях, оснащенных датчиками температуры конденсации
- В случае обнаружения высокой температуры конденсации ($> -20\text{ °C}$ или $> -40\text{ °C}$, в зависимости от версии осушителя) на экране появляется выделенное красным цветом предупреждение **Warning!** (Предупреждение!). Одновременно с этим клетка текущей температуры конденсации под давлением загорается красным цветом.
- Предупреждение отображается на экране до тех пор, пока сохраняется аварийная ситуация.
- Список предупреждений сохраняется в журнале предупреждений (Warning log).
- Осушитель работает неправильно или используется в нерекомендованных условиях эксплуатации, компрессор должен быть отключен.



При первом запуске устройства возможно появление предупреждения о высокой точке росы. Предупреждение будет активно до окончания регенерации осушителя. Время регенерации осушителя зависит от многих параметров использования устройства. Регенерация осушителя не должна занимать более 24 часов работы осушителя. Если осушитель не может достичь заданной точки росы в течение первых 24 часов, обратитесь к обслуживающему персоналу.

22.4. Экран Call Service («Вызов специалиста по техническому обслуживанию»)



- При появлении уведомления или предупреждения экран Call Service («Вызов специалиста по техническому обслуживанию») чередуется с главным окном.

ТЕХНИЧЕСКОЕ ОБСЛУЖИВАНИЕ**23. ТЕХНИЧЕСКОЕ ОБСЛУЖИВАНИЕ**

Оператор должен регулярно проверять устройства с интервалами, определенными в действующих правилах. Результаты проверок следует оформить документально.

Оборудование спроектировано и произведено таким образом, чтобы свести техническое обслуживание к минимуму. Чтобы обеспечить надлежащую и надежную работу компрессора, необходимо выполнить описанные ниже работы.



Опасность несанкционированного вмешательства.

Ремонтные работы, выходящие за рамки стандартного технического обслуживания (см. Раздел 23.1), должен осуществлять только квалифицированный технический специалист (организация, уполномоченная производителем) или представитель производителя.

Работы по стандартному техническому обслуживанию (см. Раздел 23.1) должен осуществлять только обученный персонал оператора.

Используйте только утвержденные производителем запасные части и принадлежности.



Опасность травмирования персонала или повреждения оборудования.

Прежде чем приступать к техническому обслуживанию компрессора:

- проверьте, можно ли отключить компрессор от соответствующего устройства-потребителя, чтобы исключить риск травмирования лиц, использующих это устройство, и избежать материального ущерба;
- выключите компрессор;
- отключите его от электрической сети, вынув вилку из розетки;
- стравите давление из ресивера.



Стравливание давления представляет опасность травмирования.

При стравливании давления из линии сжатого воздуха (ресивера) необходимо защищать глаза, например защитными очками.



Опасность получения ожогов.

Во время работы компрессора компоненты агрегата (крышка, цилиндр, напорный шланг и т. д.) сильно нагреваются и остаются горячими некоторое время после его выключения, поэтому не прикасайтесь к ним.

Перед проведением технического обслуживания, сервисного обслуживания или подключения/отключения воздуха под давлением дождитесь, пока агрегат остынет!



Если в процессе обслуживания заземляющий контакт был отсоединен, подсоедините его обратно по окончании работ.

- Для любых работ по техобслуживанию или ремонту компрессор можно извлечь из шкафа, вытянув его оттуда (при помощи роликов, на расстояние, на которое позволяет его вытянуть длина шнура между компрессором и шкафом). См. также главу 23. После этого можно провести необходимые работы по обслуживанию или ремонту.
- Если отсоединить шнур, связывающий компрессор и шкаф (вынуть вилку из розетки, глава 13.2), компрессор не будет работать. Чтобы вернуть компрессор в рабочее состояние, следуйте инструкциям в главе 13.2, 23.10 Или 0.

Исполнитель	Квалифицированный технический специалист												
	Комплект запчастей	Раздел	24000 ч	20000 ч	16000 ч	12000 ч	10000 ч	8000 ч	6000 ч	4800 ч	3200 ч	Раз в 2 года	
Интервал ^{b)}	Раздел	23.9	24000 ч	20000 ч	16000 ч	12000 ч	10000 ч	8000 ч	6000 ч	4800 ч	3200 ч	Раз в 2 года	
50 Гц	Раздел	См. руководство по сервисному обслуживанию	24000 ч	20000 ч	16000 ч	12000 ч	10000 ч	8000 ч	6000 ч	4800 ч	3200 ч	Раз в 2 года	
60 Гц	Раздел	См. руководство по сервисному обслуживанию	19200 ч	16000 ч	12800 ч	9600 ч	8000 ч	6400 ч	4800 ч	3200 ч	Раз в 2 года	Раз в год	
50 Гц	Раз в неделю	23	Раз в неделю	Раз в неделю	Раз в неделю	Раз в неделю	Раз в неделю	Раз в неделю	Раз в неделю	Раз в неделю	Раз в неделю	Раз в неделю	
60 Гц	Раз в день	23	Раз в день	Раз в день	Раз в день	Раз в день	Раз в день	Раз в день	Раз в день	Раз в день	Раз в день	Раз в день	
Калибровка датчика точки конденсации	-	23.9										x	
Замена кассет с адсорбентом ^{c)}	603022476-000	См. руководство по сервисному обслуживанию		x							x		
Замена шарика логического клапана осушителя	069000317-000	См. руководство по сервисному обслуживанию		x							x		
Замена электромагнитного клапана осушителя ^{d)}	025300117-000	См. руководство по сервисному обслуживанию		x									
Проведение повторных испытаний в соответствии со стандартом EN 62353	-	23										x	

^{a)} Данные указаны в часах. Если же такие данные недоступны, время будет указано в годах.

^{b)} Временной интервал сокращается на 20 % для компрессоров в вариантах 60 Гц (2000 ч./1600 ч., 4000 ч./3200 ч., 6000 ч./4800 ч., 8000 ч./6400 ч., 10000 ч./8000 ч., 12000 ч./9600 ч.)

^{c)} В зависимости от того, что произойдет раньше: 4 года/8 000 часов.

^{d)} В зависимости от того, что произойдет раньше: 8 лет/20 000 часов.

23.2. Эксплуатационные проверки

- Проверьте состояние узлов — они должны нормально функционировать без излишних вибрации и шума. В случае выявления проблемы устраните ее или обратитесь к обслуживающему персоналу.
- Визуально осмотрите вентиляторы — они должны работать вместе с узлами. В случае выявления проблемы устраните ее или обратитесь к обслуживающему персоналу.
- Проверьте силовую кабель и пневматические шланги на предмет повреждений. Замените поврежденные компоненты или обратитесь к обслуживающему персоналу.
- Проверьте температуру окружающей среды — она должна быть ниже предельного значения (40 °C). В противном случае охладите помещение.
- Откройте крышку на резервуаре для сбора конденсата и слейте конденсат

23.3. Проверка соединений для сжатого воздуха на предмет утечки и осмотр оборудования

Проверка на наличие утечки

- Проверьте герметичность линий подачи сжатого воздуха при работе, когда компрессор подает давление.
- Чтобы проверить все соединения на предмет утечки, воспользуйтесь соответствующим анализатором или мыльной водой. В случае выявления утечки затяните соответствующие соединения или поменяйте в них уплотнение.

Проверка оборудования

- Проверьте узел компрессора на предмет нормальной работы и уровня шума.
- Проверьте работу вентиляторов: вентиляторы должны работать в течение определенных рабочих циклов компрессора.
- Проверьте работу температурного переключателя (B2): разогрейте температурный переключатель до уровня выше 40 °C (например, с помощью теплового фена), стараясь не расплавить пластиковые элементы вокруг него. Если компрессор подсоединен к источнику питания, вентилятор E1 запустится, как только температура достигнет отметки в 40 °C.
- Проверьте состояние фильтра: фильтры должны быть целыми и достаточно чистыми.
- Проверьте состояние самого агрегата и убедитесь, что картер не загрязнен изнутри, а коленчатый вал не люфтит.
- В случае необходимости замените дефектные элементы.

23.4. Проверка электрических соединений



Опасность поражения электрическим током.

Проверку электрических соединений необходимо выполнять при отключенном питании.

- Проверьте механическую работу основного переключателя.
- Убедитесь, что силовой кабель и подсоединенная проводка не повреждены.
- Визуально осмотрите соединение отдельных кабелей с клеммной колодкой.
- Осмотрите все винтовые зажимы на проводнике общего заземления желто-зеленого цвета.
- Осмотр электрических соединений осушителя AD – см. руководство по сервисному обслуживанию.

23.5. Слив конденсата



При переполнении резервуара возникает опасность поскользнуться на мокром полу.

Регулярно сливайте жидкость из резервуара сбора конденсата.



Опасность травм.

Не присоединяйте слив для конденсата непосредственно к канализации!

Проходящие поблизости люди могут получить травму.



Выключайте компрессор перед каждым сливом жидкости из резервуара!



Опасность травм.

Открывайте сливной клапан осторожно и медленно. Если открыть сливной клапан резко, раздастся громкий звук и произойдет неконтролируемый выброс собравшегося конденсата.

Конденсат автоматически сливается в емкость для сбора конденсата.

- Отслеживайте уровень в резервуаре, руководствуясь отметками (в зависимости от объема резервуара), и сливайте конденсат не реже одного раза в день.



Рис. 18: Проверка резервуара для сбора конденсата

При необходимости можно слить жидкость из ресивера сжатого воздуха с использованием сливного клапана (1), который находится с нижней стороны ресивера сжатого воздуха (Рис. 19).

Отключите питание компрессора от сети и понизьте давление воздуха в устройстве до максимального значения 1 бар, например, стравив воздух через подсоединенное оборудование.

Для слива жидкости используйте шланг, свободный конец которого помещен в подходящий контейнер, а затем откройте клапан, чтобы слить конденсат из резервуара.

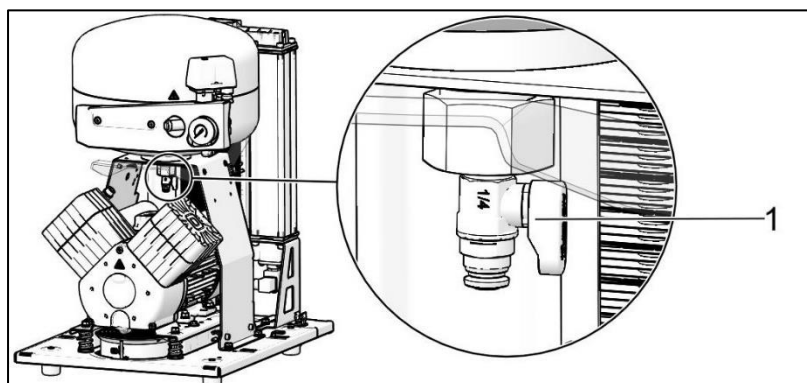


Рис. 19: Слив конденсата



Прежде чем приступить к любым проверкам, выполните указанные ниже действия:

- **Компрессоры со шкафом:** отпирите дверной замок и откройте дверцу шкафа.

23.6. Проверка предохранительного клапана

- Поверните винт (2) предохранительного клапана (1) на несколько оборотов влево, пока воздух не начнет выходить через клапан.
- Стравливайте воздух через предохранительный клапан лишь несколько секунд.
- Закройте клапан, повернув винт (2) вправо до упора.

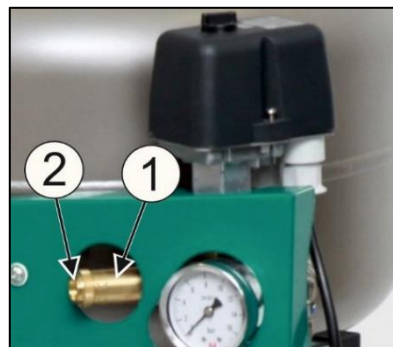


Рис. 20: Проверка предохранительного клапана



Повреждение предохранительного клапана может привести к повышению давления до опасных уровней.

Никогда не используйте предохранительный клапан для сброса давления в ресивере. Это может повредить предохранительный клапан. Максимально допустимое давление для клапана настроено производителем.

Регулировка запрещена!



Сбрасываемый сжатый воздух может нанести травму.

При проверке предохранительного клапана следует использовать защитные очки.

23.7. Замена входного фильтра и фильтра предварительной очистки

Замените входной фильтр (1), расположенный под крышкой картера компрессора.

Замена входного фильтра:

- Рукой снимите резиновую заглушку (2).
- Извлеките загрязненный входной фильтр (1).
- Вставьте новый фильтр и установите резиновую заглушку.

Замена фильтра предварительной очистки:

- Рукой извлеките фильтр (3) предварительной очистки.

Замените его новым фильтром и установите его на место.

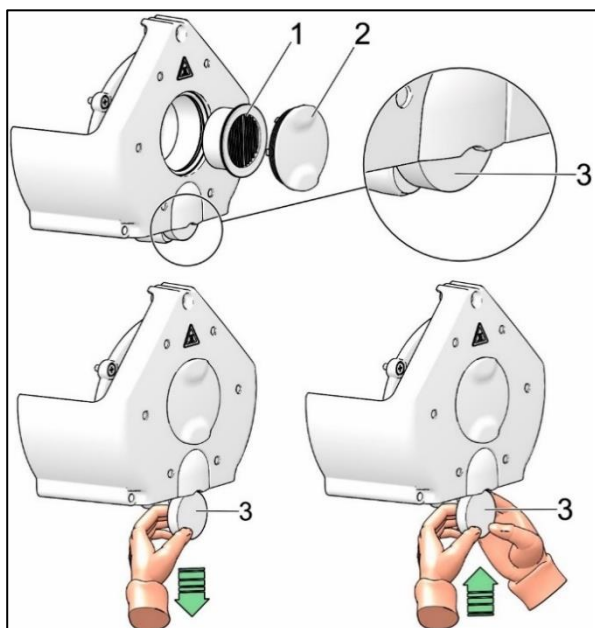


Рис. 21: Замена входного фильтра и фильтра предварительной очистки

23.8. Проверка охладителя и вентилятора

Чтобы обеспечить эффективное осушение, необходимо содержать в чистоте оборудование, особенно вентилятор компрессора, вентилятор охладителя и охладитель (Рис. 1). Удаляйте пыль с поверхности вентиляторов и ребер охладителя пылесосом или продувайте их сжатым воздухом.

23.9. Калибровка датчика точки конденсации

Если компрессоры оснащены датчиком точки конденсации, рекомендуется калибровать этот датчик раз в два года. Калибровка выполняется изготовителем (Vaisala) и предварительно заказывается через веб-сайт.

Процесс заказа калибровки датчика:

- Перейдите на веб-сайт www.vaisala.com, в раздел *Услуги (Services)*, и выберите *Услуги калибровки и ремонта (Calibration and repair services)*.
- Затем введите тип датчика (тип датчика: **DMT143**), выберите тип калибровки и выполните предложенные инструкции.

23.10. Процедура подключения компрессора, отсоединенного от шкафа



Перед любым техническим обслуживанием или ремонтом компрессор необходимо выключить и отсоединить от сети (вытащить сетевой штепсель из розетки).

Для правильной работы компрессора (без шкафа) в клеммной колодке обязательно должна быть установлена перемычка (Рис. 22 поз В). Она заменяет переключатель на шкафу.



Если в клеммной колодке компрессора (отсоединенного от шкафа) нет перемычки, компрессор работать не будет!

Если отсоединить шнур, соединяющий компрессор и шкаф (вынуть вилку из розетки), и извлечь компрессор из шкафа, он не будет работать. По этой причине необходимо сначала создать соединение в клеммной колодке при помощи перемычки (заменив им функцию автоматического выключателя) (Рис. 22).

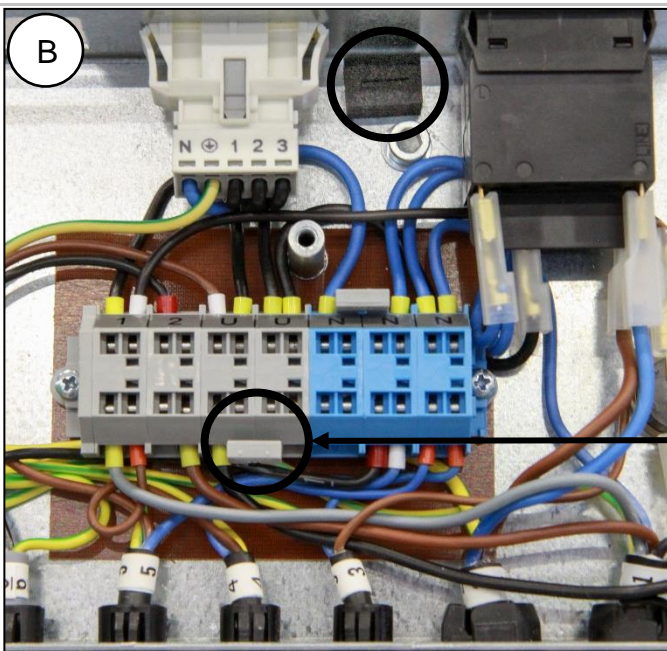
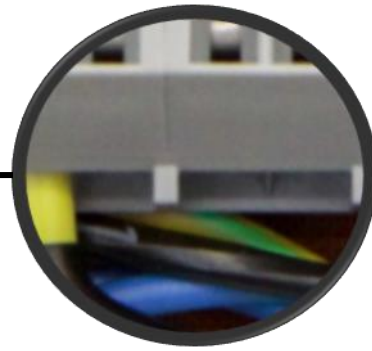
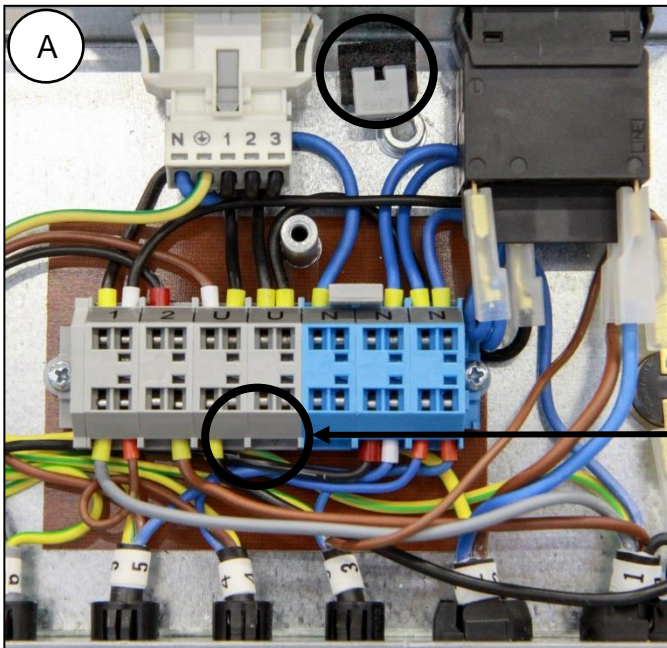
ПРОЦЕСС:

Установка перемычки (процесс А-В):

- Отключите изделие от электрической сети, вынув вилку из розетки.
- Снимите крышку электрической панели (на компрессоре).
- Перемычка не установлена в клеммную колодку – А.
- Вставьте перемычку в клеммную колодку – В.
- Установите на место крышку электрической панели.
- Подключите устройство к электросети.
- Запустите компрессор с помощью выключателя на реле давления.

При эксплуатации компрессора вне шкафа **обязательно** установите подключение к электросети с помощью перемычки (Рис. 22, поз. В).

Рис. 22



230 B

23.11. Процедура подключения компрессора к новому шкафу



Перед любым техническим обслуживанием или ремонтом компрессор необходимо выключить и отсоединить от сети (вытащить сетевой штепсель из розетки).

Для правильной работы компрессора, установленного в шкаф, требуется, чтобы в клеммную колодку не была вставлена перемычка (Рис. 22 поз. А). Переключатель на шкафу включает и выключает все изделие, в том числе компрессор.



Если в клеммной колодке компрессора, подключенного к шкафу, установлена перемычка, выключатель в шкафу компрессора работать не будет!

Если нужно подключить новый шкаф к компрессору, который до этого работал самостоятельно (без шкафа), необходимо отключить соединение в клеммной колодке компрессора с помощью описанных ниже действий (Рис. 22). (См. также главу 13.1 и 13.2).

ПРОЦЕСС:

Удаление перемычки (процесс В-А):

- Отключите изделие от электрической сети, вынув вилку из розетки.
- Снимите крышку электрической панели (на компрессоре).
- Перемычка установлена в клеммную колодку – В.
- Удалите перемычку из клеммной колодки – А.
- Установите на место крышку электрической панели.
- Вставьте компрессор в шкаф.
- Подключите шкаф к компрессору, вставив шнур питания со штекером (1) в розетку (2) (Рис. 11).
- Отсоедините дисплей осушителя AD и подключите дисплей на передней двери шкафа (см. руководство по обслуживанию).
- Подключите устройство к электросети.
- Запустите компрессор с помощью выключателя (2) на реле давления (1) и выключателя (5) на шкафу (Рис. 17).

Компрессор с распределительной секцией – при работе в составе шкафа **не должно быть** электрического соединения (Рис. 22 поз. А).

Примечание: **В случае использования компрессора без шкафа или в случае проведения технического обслуживания** перемычку, не установленную в клеммную колодку, следует держать в установленном месте возле электрической панели.

23.12. Очистка и дезинфекция внешних поверхностей изделия

Очистите и продезинфицируйте внешние поверхности при помощи химически нейтральных продуктов.



Использование агрессивных чистящих продуктов и дезинфицирующих веществ, содержащих спирт и хлориды, может привести к повреждению или изменению цвета поверхности.

24. ХРАНЕНИЕ

Если компрессор не будет использоваться в течение продолжительного времени, слейте весь конденсат из ресивера. Затем включите компрессор на 10 минут, оставив сливной кран открытым. Выключите компрессор с помощью выключателя (2) на реле давления (1) (Рис. 17), закройте сливной клапан и отсоедините устройство от электросети.

25. УТИЛИЗАЦИЯ ОБОРУДОВАНИЯ

- Отключите оборудование от электросети.
- Сбросьте давление воздуха в напорном резервуаре, открыв сливной клапан.
- Утилизируйте оборудование согласно принятым природоохранным нормам.
- Для этого обратитесь в специализированную компанию, занимающуюся сортировкой и утилизацией отходов.
- Отработанные компоненты не должны оказывать отрицательного влияния на окружающую среду

СРЕДСТВА И МЕТОДЫ УСТРАНЕНИЯ ПРОБЛЕМ



Опасность поражения электрическим током.

Прежде чем вмешиваться в работу оборудования, отключите его от электросети (вытяните вилку из розетки).



Работа с пневматическими компонентами, находящимися под давлением, представляет опасность травмирования.

Прежде чем вмешиваться в работу оборудования, стравите давление в ресивере и системе сжатого воздуха до нуля.



К работам по устранению неисправностей следует допускать только квалифицированных специалистов по техническому обслуживанию.

Проблема	Возможная причина	Решение
Компрессор не включается	Нет напряжения на реле давления	Проверьте напряжение в розетке
		Проверьте прерыватель электрической цепи — он должен быть установлен в положение «I» (ВКЛ.)
		Проводник отсоединен от клеммы — ремонт
		Проверьте электрический шнур и замените его, если он неисправен
	Повреждена обмотка двигателя, неисправна тепловая защита	Замените двигатель или обмотку
	Выход конденсатора из строя	Замените конденсатор
	Заклинило поршень или другую вращающуюся деталь	Замените поврежденные компоненты
	Не срабатывает реле давления	Проверьте работу реле давления
Переключатель шкафа не выключает компрессор	Компрессор в шкафу, ранее работавший отдельно (в клеммной колодке компрессора установлена перемычка)	Извлеките перемычку из клеммной колодки, см. Главу 0
Компрессор включается часто	Утечка воздуха из пневматической системы	Проверьте пневматическую систему — уплотните негерметичные соединения
	Утечка в обратном клапане (SV)	Прочистите обратный клапан, замените уплотнения, замените обратный клапан
	В напорном резервуаре большой объем жидкого конденсата	Слейте сконденсировавшуюся жидкость
	Низкая производительность компрессора	Проверьте время заполнения ресивера
Низкое давление в ресивере (при непрерывной работе компрессора)	Высокий расход сжатого воздуха в технологическом оборудовании	Снизьте потребление воздуха Воспользуйтесь компрессором с большей производительностью
	Утечка из пневматической системы	Проверьте пневматическую систему — уплотните негерметичные соединения

	Низкая производительность насоса	Почистите или замените насос
	Неисправность насоса	Почистите или замените насос
	Неисправность осушителя	Замените осушитель
Длительная работа компрессора	Утечка воздуха из пневматической системы	Проверьте пневматическую систему — уплотните негерметичные соединения
	Изношено поршневое кольцо	Замените изношенное поршневое кольцо
	Загрязнен входной фильтр	Замените загрязненный фильтр новым
	Неправильная работа электромагнитного клапана	Отремонтируйте или замените вентилятор или катушку
Компрессор шумит (стучит, издает металлические звуки)	Поврежден поршневой подшипник, шатун или подшипник двигателя	Замените поврежденный подшипник
	Ослаблен (сломан) демпфирующий элемент (пружина)	Замените поврежденную пружину
Осушитель не осушает сжатый воздух (наличие водного конденсата в воздухе) *	Неисправен вентилятор охладителя	Замените вентилятор Проверьте источник питания
	Поврежденный осушитель	Замените осушитель
	Неисправна система автоматического слива конденсата	Выполните очистку или замену
	Низкое рабочее давление	Обеспечьте уменьшение расхода воздуха, проверьте все выходы источника сжатого воздуха, устраните любые утечки в распределительной системе
Ухудшение производительности и осушителя — высокое давление точки конденсации (конденсированная вода в воздухе)	Не работает электромагнитный клапан регенерации	Проверьте работу катушки — замените ее в случае повреждения Проверьте состояние клапана — если проблема сохраняется, очистите или замените клапан
	Засорена форсунка для регенерационного воздуха	Очистите или замените форсунку (см. обслуживание изделия).
	Не работает охлаждающий вентилятор	Проверьте источник питания вентилятора Замените поврежденный вентилятор
	Загрязненный охладитель	Выполните осмотр охладителя, осуществите очистку при необходимости
	Засорение шумоподавителя на выходе регенерационного клапана	Проверьте состояние шумоподавителей. Очистите или замените шумоподавитель в случае его существенного загрязнения или слишком высокого сопротивления потоку.
Осушитель производит сильный шум во время работы	Поврежден вентилятор	Замените поврежденный вентилятор
	Поврежден глушитель	Замените глушитель
	Утечка воздуха через предохранительный клапан на входе осушителя	Проверьте подключение осушителя к сети питания, все его соединения, работу осушителя, его рабочее давление. При необходимости замените дефектные компоненты.

	Высокое рабочее давление в источнике сжатого воздуха	Проверьте настройку давления в источнике сжатого воздуха
Утечка воздуха через предохранительный клапан на входе осушителя	Не работает электромагнитный клапан на входе осушителя	Проверьте работу катушки — замените ее в случае повреждения
		Проверьте состояние клапана — если проблема сохраняется, очистите или замените клапан
	Высокое давление в оборудовании обусловлено засорением фильтров	Проверьте внутренние фильтры и дополнительное оборудование узла фильтрации Очистите или замените засоренные фильтры.

) * Тщательно очистите внутренние поверхности воздушного резервуара и удалите всю конденсированную жидкость после отказа сушилки.

После устранения неисправности осушителя и после его повторной сборки осушитель следует быстро регенерировать, лучше всего при непрерывной работе компрессора под давлением около 1 бар в течение не менее 1 часа; затем проверьте сухость сжатого воздуха.



Проверьте содержание влаги в воздухе, выходящем из ресивера (см. раздел Технические характеристики), чтобы предотвратить повреждение подсоединенного на выходе оборудования.

26. СВЕДЕНИЯ ОБ УСЛУГАХ ПО РЕМОНТУ

Гарантийный и послегарантийный ремонт должен проводить производитель, его представитель или обслуживающий персонал, одобренный поставщиком.

Внимание!

Производитель оставляет за собой право на внесение изменений в оборудование без уведомления. Любые внесенные изменения не повлияют на функциональные свойства оборудования.

SPIS TREŚCI

WAŻNE INFORMACJE	237
1. ZGODNOŚĆ Z WYMAGANIAMI DYREKTYW UNII EUROPEJSKIEJ	237
2. PRZEZNACZENIE	237
3. PRZECIWWSKAZANIA I EFEKTY UBOCZNE	237
4. SYMBOLE	237
5. UWAGI	238
6. WARUNKI PRZECHOWYWANIA I TRANSPORTU	240
OPIS PRODUKTU	241
7. WARIANTY	241
8. AKCESORIA	241
9. FUNKCJA PRODUKTU	242
DANE TECHNICZNE	247
INSTALACJA	256
10. WARUNKI INSTALACJI	256
11. MONTAŻ SPREŻARKI	256
12. POŁĄCZENIA PNEUMATYCZNE	258
13. POŁĄCZENIE ELEKTRYCZNE	261
14. UMIESZCZENIE SPREŻARKI W OBUDOWIE	262
15. PRZYGOTOWYWANIE DO UŻYTKU	264
16. SCHEMATY PNEUMATYCZNE I ELEKTRYCZNE	265
OBSŁUGA	271
17. WŁĄCZANIE SPREŻARKI	272
18. WYŁĄCZANIE SPREŻARKI	272
OSUSZACZ AD	273
19. ZASADA DZIAŁANIA.....	273
20. INTERFEJS UŻYTKOWNIKA / USTAWIENIA	274
21. EKRANY GŁÓWNE.....	276
22. OZNACZENIA STANÓW KONSERWACJI I ALARMU	278
KONSERWACJA PRODUKTU	281
23. KONSERWACJA PRODUKTU	281
24. WYŁĄCZENIE NA DŁUGI CZAS	290
25. UTYLIZACJA URZĄDZENIA	290
ROZWIĄZYWANIE PROBLEMÓW	291
26. USŁUGA NAPRAWY	293
ZAŁĄCZNIK	408
27. DOKUMENTACJA INSTALACJI.....	412

WAŻNE INFORMACJE**1. ZGODNOŚĆ Z WYMAGANIAMI DYREKTYW UNII EUROPEJSKIEJ**

Niniejszy produkt spełnia wymagania Rozporządzenia (UE) w sprawie wyrobów medycznych (MDR 2017/745) i jest bezpieczny do użytku zgodnie z przeznaczeniem, jeśli przestrzegane są wszystkie instrukcje bezpieczeństwa.

2. PRZEZNACZENIE

Sprężarka służy jako źródło czystego, bezolejowego sprężonego powietrza do zasilania aktywnych urządzeń medycznych, w których parametry i właściwości tego sprężonego powietrza spełniają wymagane normy.



Powietrze ze sprężarki nie nadaje się do podłączenia do urządzeń służących do sztucznej wentylacji płuc.

Jakiegokolwiek użycie tego produktu niezgodnie z przeznaczeniem jest użyciem nieprawidłowym. Producent nie ponosi odpowiedzialności za jakiegokolwiek szkody lub uszczerbki na zdrowiu wynikające z niewłaściwego użycia.

3. PRZECIWWSKAZANIA I EFEKTY UBOCZNE

Brak znanych przeciwwskazań i efektów ubocznych.

4. SYMBOLE

W instrukcji obsługi oraz na urządzeniu i opakowaniu znajdują się następujące symbole:



Ogólne ostrzeżenie



Ostrzeżenie — ryzyko porażenia prądem elektrycznym



Ostrzeżenie — sprężarka sterowana automatycznie



Ostrzeżenie — gorąca powierzchnia



Ogólna przestroga



Przeczytaj instrukcję obsługi



Odnieś się do instrukcji obsługi



Oznaczenie CE





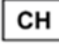


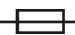







Wyrób medyczny



Numer seryjny



Numer części

	Niepowtarzalny kod identyfikacyjny wyrobu
	Autoryzowany przedstawiciel Szwajcarii
 	Szwajcarski importer
	Uziemienie ochronne
	Bezpiecznik
	Etykieta na opakowaniu z informacją o sposobie transportu — delikatne
	Etykieta na opakowaniu z informacją o sposobie transportu — tą stroną do góry
	Etykieta na opakowaniu z informacją o sposobie transportu — nie moczyć
	Etykieta na opakowaniu z informacją o sposobie transportu — przedział temperatur
	Etykieta na opakowaniu z informacją o sposobie transportu — ograniczenie składowania w stosie
	Etykieta na opakowaniu — materiał nadający się do recyklingu
	Producent

5. UWAGI

Produkt został zaprojektowany i wyprodukowany tak, aby był bezpieczny dla użytkownika i otoczenia, gdy jest używany w określony sposób. Należy pamiętać o następujących ostrzeżeniach.

5.1. Ogólne ostrzeżenia

PRZED UŻYCIEM URZĄDZENIA NALEŻY DOKŁADNIE PRZECZYTAĆ NINIEJSZĄ INSTRUKCJĘ I ZACHOWAĆ JĄ DO WGLĄDU NA PRZYSZŁOŚĆ!

- Instrukcja obsługi zawiera informacje dotyczące prawidłowej instalacji, eksploatacji i konserwacji produktu. Dokładne zapoznanie się z niniejszą instrukcją dostarczy informacji niezbędnych do prawidłowej obsługi produktu zgodnie z jego przeznaczeniem.
- Oryginalne opakowanie należy zachować na wypadek zwrotu urządzenia. Tylko oryginalne opakowanie zapewnia optymalną ochronę urządzenia podczas transportu. Jeżeli w okresie gwarancyjnym urządzenie będzie trzeba zwrócić, producent nie odpowiada za szkody spowodowane jego nieprawidłowym zapakowaniem.
- Gwarancja nie obejmuje szkód, które powstały w wyniku zastosowania innego wyposażenia niż określił lub zalecił producent.
- Producent ponosi odpowiedzialność za bezpieczeństwo, niezawodność i funkcjonowanie urządzenia tylko wówczas, gdy:
 - instalację, regulacje, zmiany, rozszerzenia oraz naprawy wykonuje producent lub usługodawca autoryzowany przez producenta;

- produkt jest używany zgodnie z instrukcją obsługi.
- technicznymi i normami bezpieczeństwa w momencie drukowania. Producent zastrzega sobie wszelkie prawa do ochrony konfiguracji, metod i nazw produktu.
- Tłumaczenie instrukcji obsługi odbywa się zgodnie z najlepszą dostępną wiedzą. W razie wątpliwości należy odnieść się do wersji słowackiej.
- Niniejsza instrukcja obsługi jest oryginalną instrukcją. Tłumaczenie zostało wykonane zgodnie z najlepszą dostępną wiedzą.

5.2. Uwagi ogólne dotyczące bezpieczeństwa

Producent zaprojektował i wyprodukował produkt w taki sposób, aby zminimalizować wszelkie zagrożenia przy prawidłowym użytkowaniu produktu zgodnie z przeznaczeniem. Producent uważa za swój obowiązek przedstawienie następujących ogólnych uwag dotyczących bezpieczeństwa.

- Produktu należy używać zgodnie z wszelkimi przepisami i lokalnymi regulacjami obowiązującymi w miejscu użytkowania. Podmiot odpowiedzialny oraz użytkownik odpowiadają za przestrzeganie wszystkich odpowiednich przepisów w celu zapewnienia bezpiecznej pracy.
- Wyłącznie stosowanie oryginalnych części zamiennych gwarantuje bezpieczeństwo personelu obsługującego i bezbłędne działanie samego produktu. Stosować należy tylko wyposażenie oraz części zamienne wymienione w dokumentacji technicznej lub wyraźnie dopuszczone przez producenta.
- Podmiot odpowiedzialny musi zapewnić przed każdym użyciem, że urządzenie działa prawidłowo i bezpiecznie.
- Użytkownik powinien zapoznać się ze sposobem działania urządzenia.
- Urządzenia nie należy używać w środowiskach zagrożonych wybuchem.
- W razie wystąpienia jakichkolwiek problemów związanych z działaniem urządzenia użytkownik jest zobowiązany niezwłocznie powiadomić o tym fakcie dostawcę.
- Każdy poważny wypadek związany z tym urządzeniem powinien zostać zgłoszony producentowi i odpowiednim władzom kraju członkowskiego, który stanowi miejsce stałego pobytu użytkownika i/lub pacjenta.

5.3. Uwagi dotyczące ochrony przed prądem elektrycznym

- Urządzenie można podłączyć tylko do prawidłowo zamontowanego gniazda z uziemieniem.
- Przed podłączeniem produktu należy sprawdzić, czy napięcie i częstotliwość sieci wskazane na produkcie odpowiadają parametrom sieci zasilającej.
- Przed rozpoczęciem eksploatacji urządzenia należy sprawdzić, czy podłączone do niego przewody pneumatyczne i elektryczne nie mają uszkodzeń. Uszkodzone przewody pneumatyczne i elektryczne należy natychmiast wymienić.
- W sytuacjach niebezpiecznych lub w przypadku awarii technicznej należy natychmiast odłączyć urządzenie od sieci elektrycznej (wyjąć wtyczkę przewodu zasilającego z gniazda).
- Podczas wszelkich napraw i prac konserwacyjnych należy upewnić się, że:
 - wtyczka sieciowa jest wyciągnięta z gniazda sieciowego,
 - ze zbiornika powietrza i przewodów jest spuszczone ciśnienie.
- Produkt powinien być instalowany tylko przez wykwalifikowany personel.

6. WARUNKI PRZECHOWYWANIA I TRANSPORTU

Sprężarka jest przewożona od producenta w opakowaniu transportowym. Chroni ono urządzenie przed uszkodzeniem w trakcie transportu.



Możliwość uszkodzenia części pneumatycznych.

W trakcie transportu w żadnych elementach sprężarki nie może być powietrza. Przed przenoszeniem lub transportem sprężarki należy spuścić powietrze ze zbiornika, wszystkich węży ciśnieniowych oraz należy opróżnić zbiornik kondensatu i separator kondensatu w osuszaczu.



Należy zachować oryginalne opakowanie fabryczne na wypadek, gdyby zaszła konieczność zwrotu urządzenia. Sprężarkę należy transportować w oryginalnym opakowaniu, które zapewnia optymalne warunki ochrony. . Jeśli zajdzie konieczność zwrotu urządzenia w czasie obowiązywania gwarancji, producent nie odpowiada za uszkodzenia spowodowane nieprawidłowym opakowaniem.



Sprężarkę należy transportować w pozycji pionowej i zabezpieczyć pasami.



Podczas transportu i przechowywania chronić sprężarkę przed wilgocią i brudem oraz ekstremalnymi temperaturami. Nie przechowywać w pobliżu lotnych substancji chemicznych.



Jeśli opakowanie będzie niepotrzebne, należy je zutylizować w przyjazny dla środowiska sposób. Karton z opakowania można poddać recyklingowi ze starym papierem.



Przechowywanie lub transport urządzenia w jakichkolwiek innych warunkach niż opisane poniżej jest zabroniony.

6.1. Warunki otoczenia

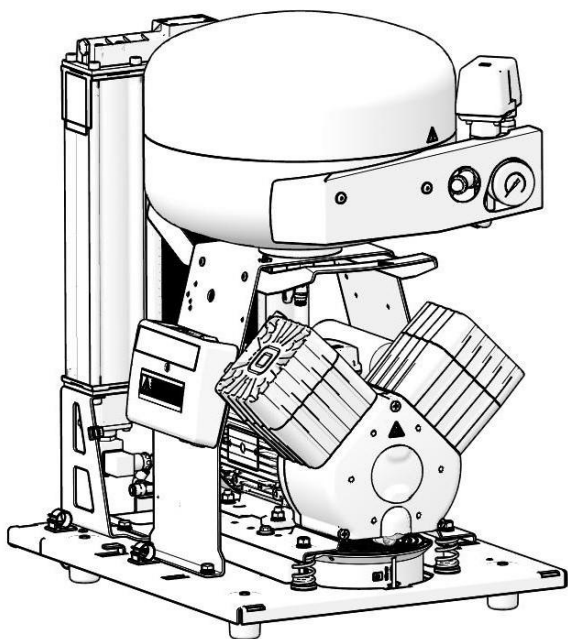
Produkt można przechowywać i transportować wyłącznie w pojazdach pozbawionych jakichkolwiek śladów lotnych substancji chemicznych w następujących warunkach:

Temperatura	Od -25°C do $+55^{\circ}\text{C}$, 24 h w temperaturze do $+70^{\circ}\text{C}$
Wilgotność względna	Maks. 90% (bez kondensacji)

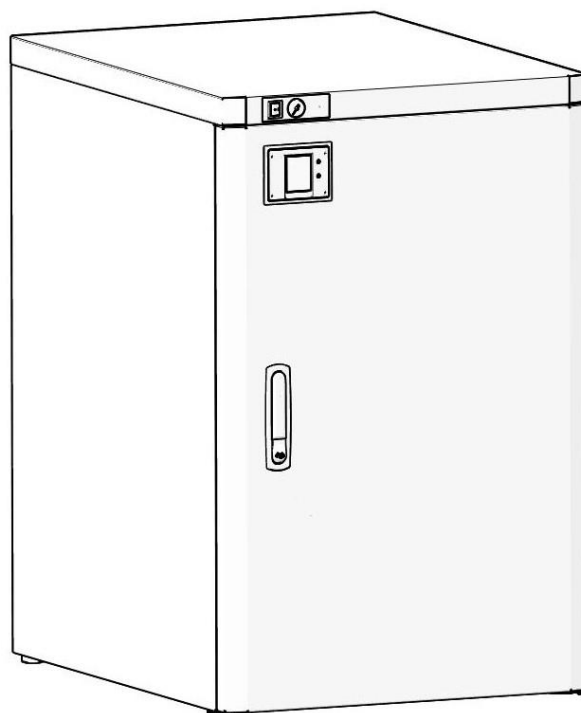
OPIS PRODUKTU**7. WARIANTY**

Sprężarka jest produkowana zgodnie ze swoim przeznaczeniem w następujących wariantach:

DK50 2V/M	sprężarka montowana na podstawie z osuszaczem powietrza
DK50 2V S/M	sprężarka z osuszaczem w obudowie



DK50 2V/M



DK50 2V S/M

8. AKCESORIA

Akcesoria, które nie są standardowo dołączone do urządzenia, należy zamówić osobno.

Zestaw filtrów sprężonego powietrza wylotowego

Sprężarkę można wyposażyć w zestaw filtrów. Zestaw ten można dodatkowo zaopatrzyć w regulator ciśnienia powietrza.



Jeśli wymagany jest inny poziom skuteczności filtracji powietrza, wymóg ten należy uzgodnić z dostawcą i dodać do zamówienia.

Typ	Zastosowanie	Skuteczność filtracji (µm)	Numer części
FS 30F	DK50 2V/M	1	aby zamówić
FS 30M		1+0,1	
FS 30S		1+0,01	
FS 30A		1+0,01+A**	

**) A – submikrofiltr z węglem aktywowanym

Regulator do zestawu filtracyjnego

Sprężarka może mieć regulator ciśnienia na wylocie sprężonego powietrza, jeśli określono.

Regulator należy wybrać na podstawie zastosowania zestawu filtracyjnego lub osobno. Regulator zapewnia stałe ciśnienie na wylocie.

Typ	Zastosowanie	Numer części
Komplet regulatora (do filtru)	DK50 2V/M	aby zamówić
REG11 (osobno)		447000001-077

Uchwyty zestawu filtracyjnego



Do każdego zestawu filtracyjnego należy zamówić odpowiedni uchwyt.

Typ	Zastosowanie	Numer części
Uchwyt do montażu na sprężarce	DK50 2V/M	aby zamówić

Gniazdo wyrównywania potencjałów

Gniazdo to umożliwia wyrównywanie potencjałów

Typ	Zastosowanie	Nazwa	Numer części
POAG-KBT6-EC	DK50 2VS/M	Wtyczka do gniazda sieciowego	033400075-000
FLEXI-S/POAG-HK6		Przewód (1 m)	034110083-000

9. FUNKCJA PRODUKTU

9.1. Sprężarka z osuszaczem adsorpcyjnym

(Rys. 1) Agregat (1) zasysa powietrze przez filtr wlotowy (8) i dostarcza sprężone powietrze przez wąż łączący do osuszacza adsorpcyjnego (38). Powietrze trafiające do osuszacza najpierw jest schładzane w zintegrowanej chłodnicy (26), a następnie przechodzi przez separator kondensatu (32) i trafia do aktywnej komory z adsorbentem (27), gdzie zostaje osuszone. Część powietrza trafia do drugiej komory, regeneracyjnej, w której zostaje wykorzystane do usunięcia wilgoci z adsorbentu, po czym zostaje wypuszczone do atmosfery. Komora aktywna włącza się cyklicznie. Suche powietrze przechodzi przez zawór przeciwwrotny (3) do zbiornika powietrza (2). Skuteczność osuszania powietrza (ciśnieniowy punkt rosy) określa czujnik punktu rosy umieszczony w zbiorniku powietrza.

Nie ma potrzeby opróżniania zbiornika powietrza.

9.2. Obudowa sprężarki

(Rys. 3) Dźwiękoszczelna obudowa stanowi kompaktową osłonę sprężarki, która skutecznie tłumi hałas oraz umożliwia wystarczająco skuteczne chłodzenie powietrza. Jego konstrukcja nadaje się do eksploatacji w pomieszczeniach, w których wymagany jest niski poziom hałasu. Sprężarkę chłodzi wentylator (9) znajdujący się pod jej pompą. Włącza się wraz z silnikiem sprężarki lub po załączeniu przełącznika temperaturowego, gdy temperatura przekroczy 40°C. Po schłodzeniu obudowy do temperatury poniżej 32°C wentylator wyłącza się automatycznie.

Wyświetlacz osuszacza (34) znajduje się na przednim panelu obudowy.



Ryzyko przegrzania sprężarki.

Upewnij się, że nic nie zasłania wlotu powietrza chłodzącego do obudowy (znajdującego się w jej dolnej części) ani wylotu ciepłego powietrza z tyłu u góry.

Jeśli sprężarka zostanie ustawiona na miękkiej podłodze, np. dywanie, należy zapewnić przestrzeń między podstawą i podłogą lub obudową i podłogą, aby umożliwić efektywne chłodzenie. W tym celu można na przykład podłożyć twarde podkładki pod nóżki sprężarki.

Opisy rysunków 1-3:

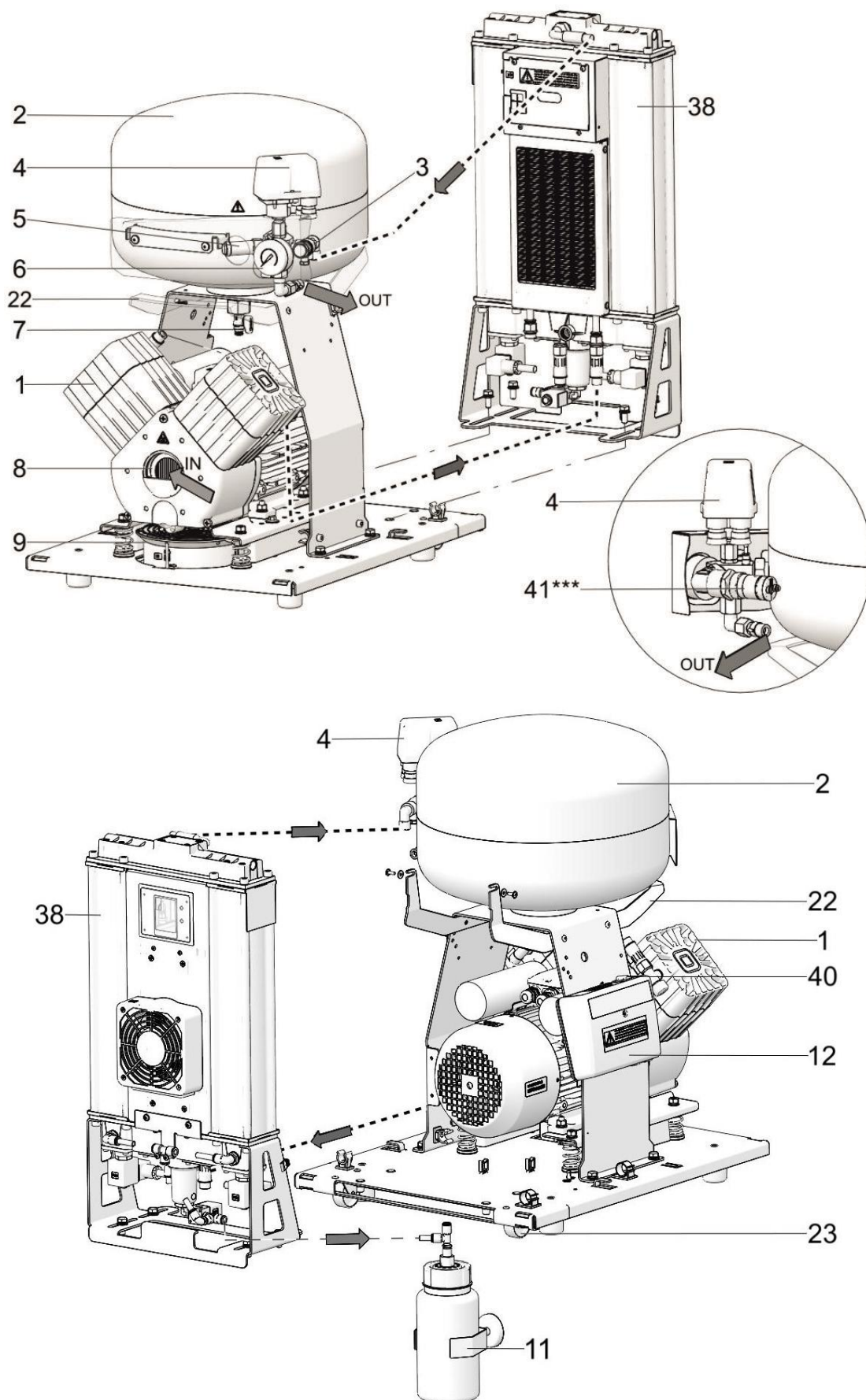
1	Agregat sprężarki	22	Uchwyt
2	Zbiornik powietrza	23	Otwory
3	Zawór zwrotny	24	Wąż ciśnieniowierza
4	Łącznik ciśnieniowy	25	Moduł wylotowy
5	Zawór bezpieczeństwa	26	Moduł chłodzący
6	Ciśnieniomierz	27	Komora osuszacza
7	Zawór spustowy	28	Zawór wlotowy
8	Filtr wlotowy	29	Wlot sprężonego powietrza
9	Wentylator sprężarki	30	Regeneracyjny zawór elektromagnetyczny
10	Naczynie na kondensat	31	Wentylator osuszacza
11	Uchwyt magnetyczny	32	Separator kondensatu
12	Panel elektryczny	33	Elektrozawór spustu kondensatu
13	Wentylator obudowy	34	*Wyświetlacz
14	Trzpień drzwiczek	35	Wylot powietrza
15	Śruba regulująca	36	**Tuleja
16	Blokada	37	Wylot z separatora kondensatu i zaworów regeneracyjnych
17	Wspornik	38	Osuszacz adsorpcyjny
18	Odbojnik	39	Złącze z przewodem
19	Przełącznik	40	Wyłącznik obwodu
20	Ciśnieniomierz obudowy	41	***Czujnik punktu rosy
21	Zawias drzwiczek		

* Pozycja 34 dotyczy modelu DK50 2V/M bez obudowy. Pozycja 34 w przypadku modelu DK50 2VS/M z obudową to prosta osłona.

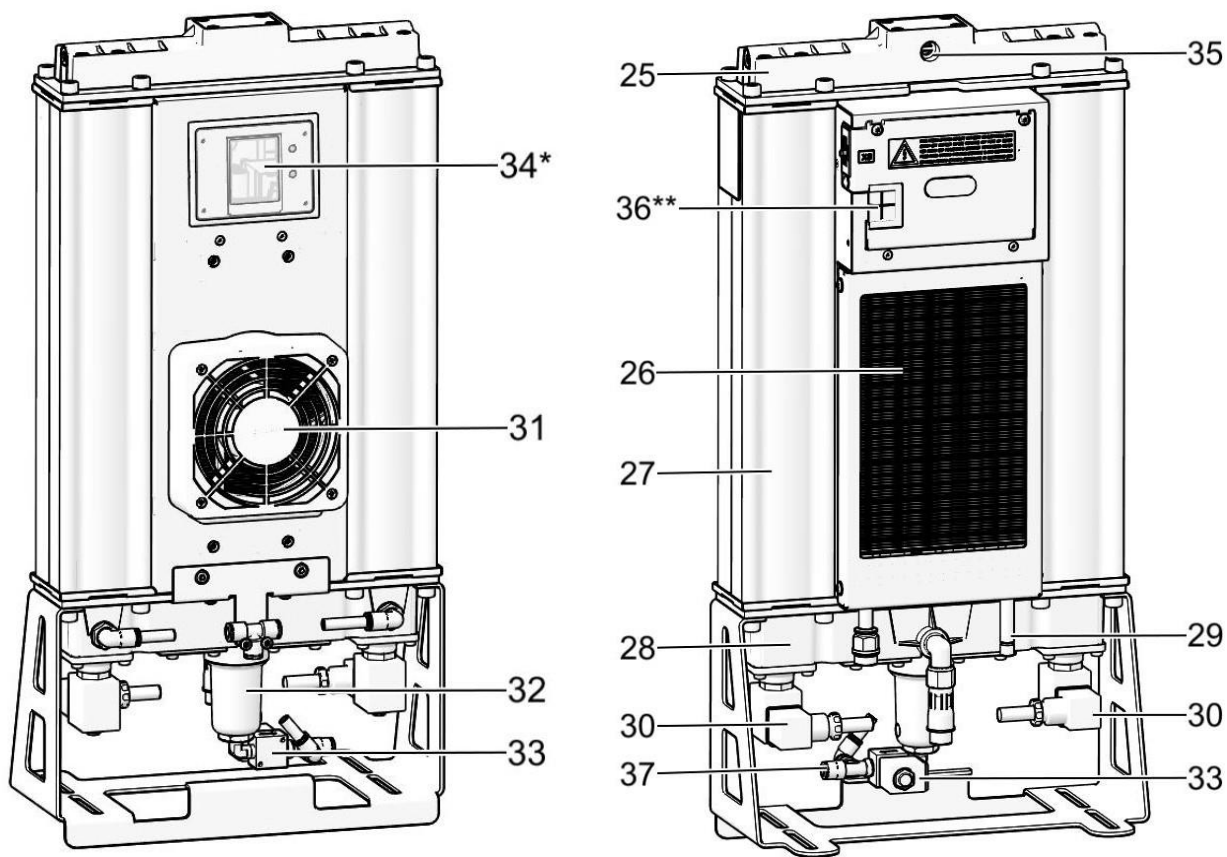
** W przypadku modelu z obudową kabel podłączony do wyświetlacza (36) na przednim panelu obudowy jest poprowadzony przez uniwersalną tuleję.

*** Dotyczy modelu z czujnikiem punktu rosy.

Rys. 1: DK50 2V/M – sprężarka z osuszaczem adsorpcyjnym

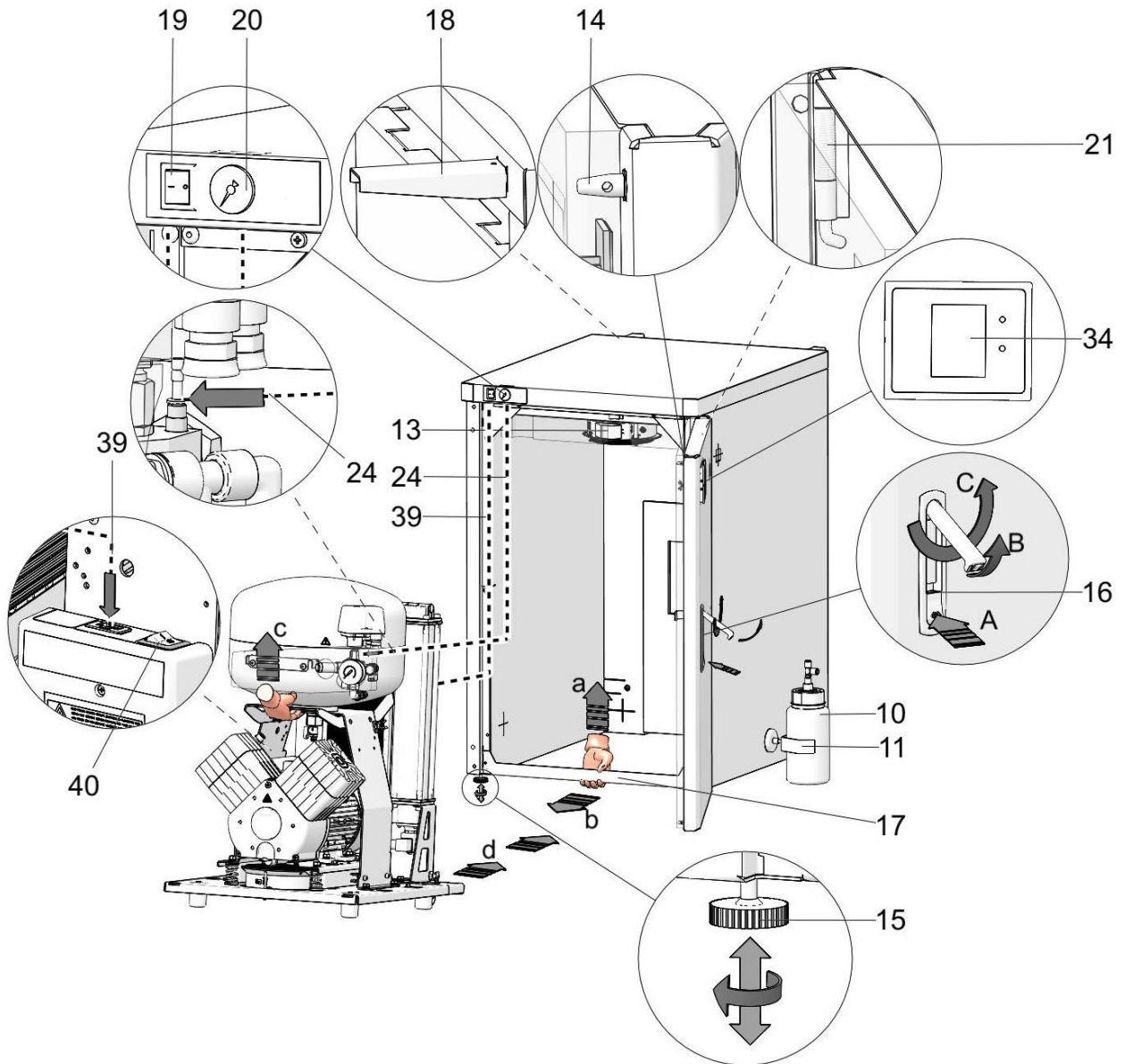


Rys. 2: – Osuszacz adsorpcyjny

**ADM140/25**

- * Pozycja 34 dotyczy modelu DK50 2V/M bez obudowy. Pozycja 34 w przypadku modelu DK50 2VS/M z obudową to prosta osłona.
- ** W przypadku modelu z obudową kabel podłączony do wyświetlacza (36) na przednim panelu obudowy jest poprowadzony przez uniwersalną tuleję.

Rys. 3: – Obudowa



DANE TECHNICZNE

Sprężarki są przeznaczone do użytku w suchych, wentylowanych i wolnych od kurzu pomieszczeniach w następujących warunkach:

Temperatura

Od +5°C do +30°C

Wilgotność względna

maks. 50%

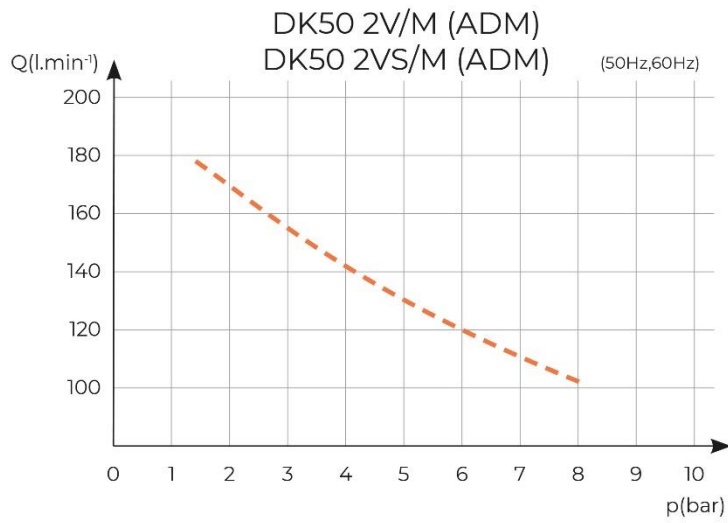
Ciśnienie robocze 6 – 8 barów		DK50 2V/M	DK50 2V S/M
Napięcie nominalne, Częstotliwość ^{a)}	V, Hz	230, 50	230, 50
Wydajność przy ciśnieniu 6 barów (FAD)	l/min	120	120
Ciśnienie robocze ^{b)}	bary	6,0 – 8,0	6,0 – 8,0
Prąd znamionowy	A	8,8	9,0
Moc silnika	kW	1,2	1,2
Pojemność zbiornika powietrza	l	25	25
Jakość powietrza — filtracja	µm	-	-
Maksymalne ciśnienie robocze zaworu bezpieczeństwa	bary	11,0	11,0
Poziom hałasu przy 5 barach (L _{pA})	dB	≤69,0	≤55,0
Tryb pracy	%	S1-100	S1-100
Skuteczność suszenia ciśnieniowego punktu rosy przy 7 barach	°C	≤ -20	≤ -20
Alarm dotyczący niskiego ciśnienia osuszacza	bary	< 3	< 3
Alarm dotyczący wysokiego ciśnienia osuszacza	bary	> 9	> 9
Alarm dotyczący wysokiego punktu rosy osuszacza	°C	> -20	> -20
Czas napełniania zbiornika powietrza od 0 do 7 barów	s	90	90
Wymiary (netto) sz x g x w	mm	460x620x720	560x720x880
Masa netto ^{c)}	kg	69	110
Klasyfikacja wg normy EN 60601-1	Klasa I.		

^{a)} W trakcie składania zamówienia należy określić wersję sprężarki

^{b)} Zapytaj dostawcę o inny zakres ciśnienia

^{c)} Waga jest podana tylko orientacyjnie i dotyczy produktu bez akcesoriów

Zależność wydajności sprężarki od ciśnienia roboczego



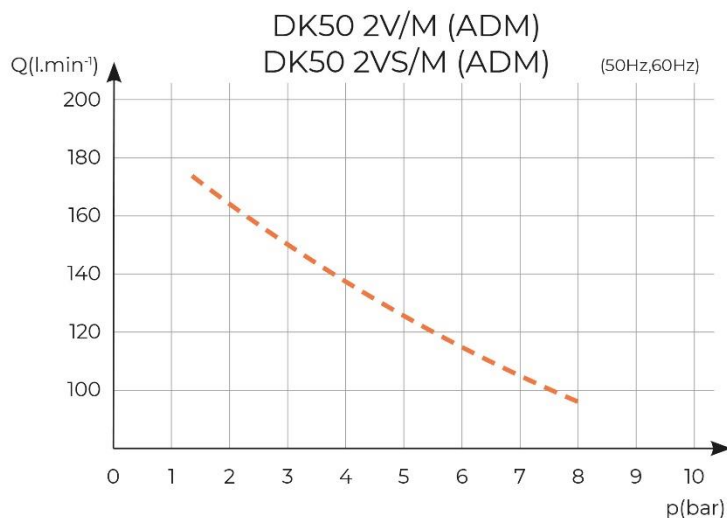
Ciężnienie robocze 6 – 8 barów		DK50 2V/M	DK50 2V S/M
Napięcie nominalne, Częstotliwość ^{a)}	V, Hz	230, 50	230, 50
Wydajność przy ciśnieniu 6 barów (FAD)	l/min	115	115
Ciężnienie robocze ^{b)}	bary	6,0 – 8,0	6,0 – 8,0
Prąd znamionowy	A	8,8	9,0
Moc silnika	kW	1,2	1,2
Pojemność zbiornika powietrza	l	25	25
Jakość powietrza — filtracja	µm	-	-
Maksymalne ciśnienie robocze zaworu bezpieczeństwa	bary	11,0	11,0
Poziom hałasu przy 5 barach (L _{pA})	dB	≤69,0	≤55,0
Tryb pracy	%	S1-100	S1-100
Skuteczność suszenia ciśnieniowego punktu rosy przy 7 barach	°C	≤ -40	≤ -40
Alarm dotyczący niskiego ciśnienia osuszacza	bary	< 3	< 3
Alarm dotyczący wysokiego ciśnienia osuszacza	bary	> 9	> 9
Alarm dotyczący wysokiego punktu rosy osuszacza	°C	> -40	> -40
Czas napełniania zbiornika powietrza od 0 do 7 barów	s	100	100
Wymiary (netto) sz x g x w	mm	460x620x720	560x720x880
Masa netto ^{c)}	kg	69	110
Klasyfikacja wg normy EN 60601-1		Klasa I.	

^{a)} W trakcie składania zamówienia należy określić wersję sprężarki

^{b)} Zapytaj dostawcę o inny zakres ciśnienia

^{c)} Waga jest podana tylko orientacyjnie i dotyczy produktu bez akcesoriów

Zależność wydajności sprężarki od ciśnienia roboczego



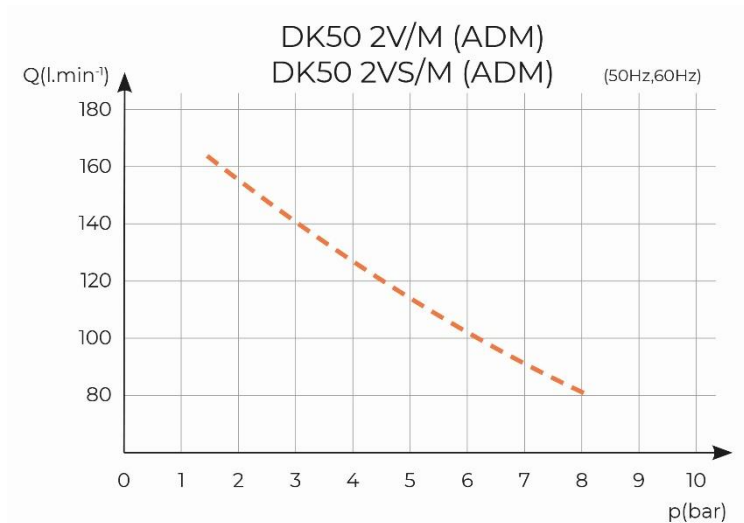
Ciśnienie robocze 6 – 8 barów		DK50 2V/M	DK50 2V S/M
Napięcie nominalne, Częstotliwość ^{a)}	V, Hz	230, 50	230, 50
Wydajność przy ciśnieniu 6 barów (FAD)	l/min	100	100
Ciśnienie robocze ^{b)}	bary	6,0 – 8,0	6,0 – 8,0
Prąd znamionowy	A	8,8	9,0
Moc silnika	kW	1,2	1,2
Pojemność zbiornika powietrza	l	25	25
Jakość powietrza — filtracja	µm	-	-
Maksymalne ciśnienie robocze zaworu bezpieczeństwa	bary	11,0	11,0
Poziom hałasu przy 5 barach (L _{pA})	dB	≤69,0	≤55,0
Tryb pracy	%	S1-100	S1-100
Skuteczność suszenia ciśnieniowego punktu rosy przy 7 barach	°C	≤ -70	≤ -70
Alarm dotyczący niskiego ciśnienia osuszacza	bary	< 3	< 3
Alarm dotyczący wysokiego ciśnienia osuszacza	bary	> 9	> 9
Alarm dotyczący wysokiego punktu rosy osuszacza	°C	-68	-68
Czas napełniania zbiornika powietrza od 0 do 7 barów	s	110	110
Wymiary (netto) sz x g x w	mm	460x620x720	560x720x880
Masa netto ^{c)}	kg	69	110
Klasyfikacja wg normy EN 60601-1	Klasa I.		

a) W trakcie składania zamówienia należy określić wersję sprężarki

b) Zapytaj dostawcę o inny zakres ciśnienia

c) Waga jest podana tylko orientacyjnie i dotyczy produktu bez akcesoriów

Zależność wydajności sprężarki od ciśnienia roboczego



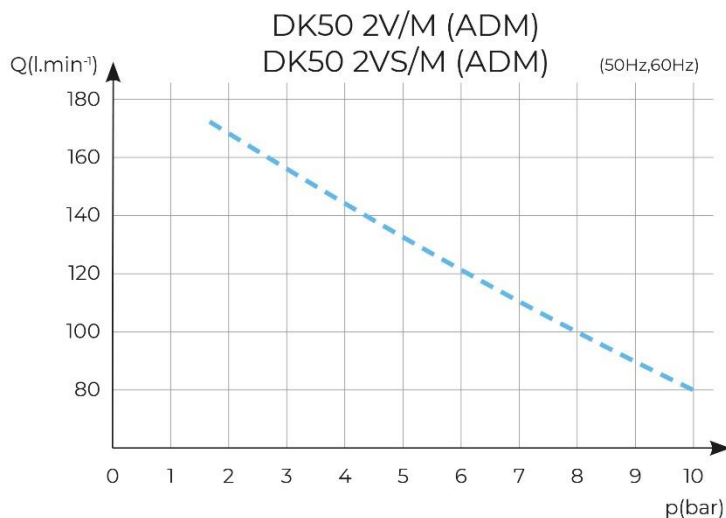
Ciężnienie robocze 8 – 10 barów		DK50 2V/M	DK50 2V S/M
Napięcie nominalne, Częstotliwość ^{a)}	V, Hz	230, 50	230, 50
Wydajność przy ciśnieniu 8 barów (FAD)	l/min	100	100
Ciężnienie robocze ^{b)}	bary	8,0 – 10,0	8,0 – 10,0
Prąd znamionowy	A	8,6	8,8
Moc silnika	kW	1,2	1,2
Pojemność zbiornika powietrza	l	25	25
Jakość powietrza — filtracja	µm	-	-
Maksymalne ciśnienie robocze zaworu bezpieczeństwa	bary	11,0	11,0
Poziom hałasu przy 5 barach (L _{pA})	dB	≤69,0	≤55,0
Tryb pracy	%	S1-100	S1-100
Skuteczność suszenia ciśnieniowego punktu rosy przy 7 barach	°C	≤ -20	≤ -20
Alarm dotyczący niskiego ciśnienia osuszacza	bary	< 3	< 3
Alarm dotyczący wysokiego ciśnienia osuszacza	bary	> 11	> 11
Alarm dotyczący wysokiego punktu rosy osuszacza	°C	> -20	> -20
Czas napełniania zbiornika powietrza od 0 do 7 barów	s	115	115
Wymiary (netto) sz x g x w	mm	460x620x720	560x720x880
Masa netto ^{c)}	kg	71	112
Klasyfikacja wg normy EN 60601-1		Klasa I.	

^{a)} W trakcie składania zamówienia należy określić wersję sprężarki

^{b)} Zapytaj dostawcę o inny zakres ciśnienia

^{c)} Waga jest podana tylko orientacyjnie i dotyczy produktu bez akcesoriów

Zależność wydajności sprężarki od ciśnienia roboczego



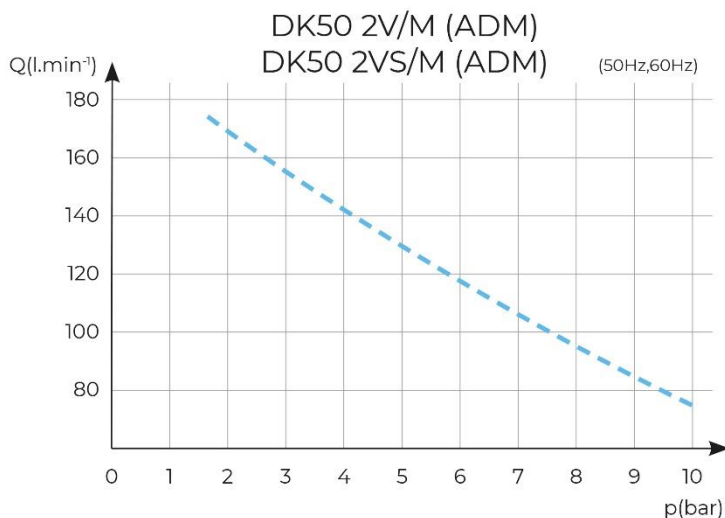
Ciśnienie robocze 8 – 10 barów		DK50 2V/M	DK50 2V S/M
Napięcie nominalne, Częstotliwość ^{a)}	V, Hz	230, 50	230, 50
Wydajność przy ciśnieniu 8 barów (FAD)	l/min	95	95
Ciśnienie robocze ^{b)}	bary	8,0 – 10,0	8,0 – 10,0
Prąd znamionowy	A	8,6	8,8
Moc silnika	kW	1,2	1,2
Pojemność zbiornika powietrza	l	25	25
Jakość powietrza — filtracja	µm	-	-
Maksymalne ciśnienie robocze zaworu bezpieczeństwa	bary	11,0	11,0
Poziom hałasu przy 5 barach (L _{pA})	dB	≤69,0	≤55,0
Tryb pracy	%	S1-100	S1-100
Skuteczność suszenia ciśnieniowego punktu rosy przy 7 barach	°C	≤ -40	≤ -40
Alarm dotyczący niskiego ciśnienia osuszacza	bary	< 3	< 3
Alarm dotyczący wysokiego ciśnienia osuszacza	bary	> 11	> 11
Alarm dotyczący wysokiego punktu rosy osuszacza	°C	> -40	> -40
Czas napełniania zbiornika powietrza od 0 do 7 barów	s	120	120
Wymiary (netto) sz x g x w	mm	460x620x720	560x720x880
Masa netto ^{c)}	kg	71	112
Klasyfikacja wg normy EN 60601-1	Klasa I.		

^{a)} W trakcie składania zamówienia należy określić wersję sprężarki

^{b)} Zapytaj dostawcę o inny zakres ciśnienia

^{c)} Waga jest podana tylko orientacyjnie i dotyczy produktu bez akcesoriów

Zależność wydajności sprężarki od ciśnienia roboczego



Korekta swobodnego wydatku powietrza ze względu na wysokość

Wydajność określana jako swobodny wydatek powietrza (Free Air Delivery — FAD) dotyczy następujących warunków:

Wysokość	0 n.p.m.	Temperatura	20°C
Ciśnienie atmosferyczne	101325 Pa	Wilgotność względna	0%

Aby obliczyć wydajność FAD sprężarki zależnie od wysokości, należy uwzględnić współczynnik korekty zgodnie z poniższą tabelą:

Wysokość [n.p.m.]	0 – 1500	1501 – 2500	2501 – 3500	3501 – 4500
Współczynnik korekty FAD	1	0.80	0.71	0.60

Deklaracja zgodności elektromagnetycznej

Sprzęt medyczny musi spełniać specjalne normy bezpieczeństwa w zakresie zgodności elektromagnetycznej (EMC) oraz powinien być instalowany i serwisowany zgodnie z poniższymi informacjami na ten temat.

Wytyczne oraz deklaracja producenta – emisja elektromagnetyczna		
Zgodnie z normą IEC 60601-1-2:2014/AMD1:2020 – Medyczne urządzenia elektryczne -- Część 1-2: Wymagania ogólne dotyczące bezpieczeństwa podstawowego oraz funkcjonowania zasadniczego -- Norma uzupełniająca: Zakłócenia elektromagnetyczne -- Wymagania i badania		
Urządzenie jest przeznaczone do użytku w otoczeniu elektromagnetycznym określonym poniżej. Klient lub użytkownik urządzenia powinien zapewnić właściwe warunki użytkowania.		
Test emisji	Zgodność	Otoczenie elektromagnetyczne – wytyczne
Emisje fal radiowych wg normy CISPR 11	Grupa 1	Urządzenie wykorzystuje fale radiowe tylko na wewnętrzne potrzeby. W związku z tym emisja tych fal jest bardzo niska i stwarza bardzo małe ryzyko interferencji z pobliskim sprzętem elektronicznym.
Emisje fal radiowych wg normy CISPR 11	Klasa B	Urządzenie może być używane wszędzie, także w gospodarstwach domowych i miejscach bezpośrednio podłączonych do publicznej sieci zasilania o niskim napięciu, zasilającej budynki wykorzystywane do celów mieszkalnych.
Emisje harmoniczne wg normy IEC 61000-3-2	Klasa A	
Wahania napięcia / emisje migotania wg normy IEC 61000-3-3	Urządzenie nie powinno powodować migotania, ponieważ po jego uruchomieniu przepływ prądu jest w przybliżeniu jednostajny.	


Wytyczne oraz deklaracja producenta – odporność elektromagnetyczna

Zgodnie z normą IEC 60601-1-2:2014/AMD1:2020 – Medyczne urządzenia elektryczne -- Część 1-2: Wymagania ogólne dotyczące bezpieczeństwa podstawowego oraz funkcjonowania zasadniczego -- Norma uzupełniająca: Zakłócenia elektromagnetyczne -- Wymagania i badania

Urządzenie jest przeznaczone do użytku w otoczeniu elektromagnetycznym określonym poniżej. Klient lub użytkownik urządzenia powinien zapewnić właściwe warunki użytkowania.

Test odporności	Poziom testu wg normy IEC 60601-1-2	Poziom zgodności	Otoczenie elektromagnetyczne – wytyczne
Wyładowanie elektrostatyczne (ESD) IEC 61000-4-2	kontaktowe ± 8 kV w powietrzu ± 15 kV	kontaktowe ± 8 kV w powietrzu ± 15 kV	Podłogi powinny być drewniane, betonowe lub pokryte płytkami ceramicznymi. Jeśli podłogi są pokryte materiałem syntetycznym, wilgotność względna powinna wynosić przynajmniej 30%.
Szybkie przejściowe wyładowanie elektryczne IEC 61000-4-4	± 2 kV dla obwodów zasilania ± 1 kV dla obwodów wejścia/wyjścia	± 2 kV Częstotliwość powtarzania 100 kHz Dotyczy podłączenia do sieci	Jakość sieci powinna być typowa dla środowisk komercyjnych lub szpitalnych.
Przebieżenie IEC 61000-4-5	Tryb różnicowy ± 1 kV Tryb wspólny ± 2 kV	± 1 kV L-N ± 2 kV L-PE; N-PE Dotyczy podłączenia do sieci	Jakość sieci powinna być typowa dla środowisk komercyjnych lub szpitalnych.
Spadki napięcia, krótka przerwa, oraz wahania napięcia na liniach wejściowych zasilania wg normy IEC 60601-4-11	$U_T=0\%$, cykl 0,5 (przy 0, 45, 90, 135, 180, 225, 270 oraz 315°) $U_T=0\%$, cykl 1 $U_T=70\%$ 25/30 cykli (przy 0°) $U_T=0\%$, 250/300 cykli	$U_T \geq 95\%$, 0,5 cyklu (przy 0, 45, 90, 135, 180, 225, 270 oraz 315°) $U_T \geq 95\%$, 1 cykl $U_T=70\%$ (30% spadek napięcia U_T), 25 (50 Hz)/30 (60 Hz) cykli (przy 0°) $U_T \geq 95\%$, 250 (50 Hz)/300 (60 Hz) cykli	Jakość sieci powinna być typowa dla środowisk komercyjnych lub szpitalnych. Urządzenie automatycznie wyłącza i restartuje się po każdym spadku napięcia. W tym przypadku nie następuje nieakceptowalny spadek ciśnienia.
Częstotliwość zasilania (50/60 Hz) IEC 61000-4-8	30 A/m	30 A/m	Pola magnetyczne o częstotliwości zasilania powinny być przynajmniej na poziomie charakterystycznym dla typowej lokalizacji w typowym środowisku komercyjnym lub szpitalnym.
Strefy promieniowania w bliskim otoczeniu wg normy IEC 61000-4-39	30 A/m	30 A/m	Pola magnetyczne o częstotliwości zasilania powinny być przynajmniej na poziomie charakterystycznym dla typowej lokalizacji w typowym środowisku komercyjnym lub szpitalnym.

UWAGA: U_T to przemienne napięcie sieciowe przed testem.

Wytyczne oraz deklaracja producenta – odporność elektromagnetyczna			
Zgodnie z normą IEC 60601-1-2:2014/AMD1:2020 – Medyczne urządzenia elektryczne -- Część 1-2: Wymagania ogólne dotyczące bezpieczeństwa podstawowego oraz funkcjonowania zasadniczego -- Norma uzupełniająca: Zakłócenia elektromagnetyczne -- Wymagania i badania			
Urządzenie jest przeznaczone do użytku w otoczeniu elektromagnetycznym określonym poniżej. Klient lub użytkownik urządzenia powinien zapewnić właściwe warunki użytkowania.			
Test odporności	Poziom testu wg normy IEC 60601-1-2	Poziom zgodności	Otoczenie elektromagnetyczne – wytyczne
Odporność na zaburzenia radioelektryczne wprowadzane do przewodów IEC 61000-4-6	3 Vrms 150 kHz – 80 MHz	3 Vrms	Przenośne i ruchome urządzenia radiowe RF nie powinny znajdować się bliżej żadnej części urządzenia, w tym kabli, niż zalecana odległość obliczona za pomocą równania z uwzględnieniem częstotliwości nadajnika. Zalecana odległość $d=1,2\sqrt{P}$ $d=1,2\sqrt{P}$, 80 MHz – 800 MHz $d=2,3\sqrt{P}$, 800 MHz – 2,7 GHz gdzie P to maksymalna moc wyjściowa nadajnika w watach (W) podana przez producenta nadajnika, a d to zalecana odległość w metrach (m).
Odporność na pole elektromagnetyczne o częstotliwościach radiowych IEC 61000-4-3	3 V/m 80 MHz – 2,7 GHz	3 V/m	Natężenia pól emitowanych przez stałe nadajniki RF, określone drogą pomiaru poziomu zakłóceń elektromagnetycznych w miejscu montażu ^a , powinny być niższe od poziomu zgodności w każdym zakresie częstotliwości ^b . Interferencje mogą występować w pobliżu urządzeń oznaczonych następującym symbolem:
Pobliskie pola fal radiowych emitowanych przez urządzenia komunikacyjne IEC 61000-4-3	9 – 28 V/m 15 określonych częstotliwości (380 – 5800 MHz)	9 – 28 V/m 15 określonych częstotliwości (380 – 5800 MHz)	
UWAGA 1: w przypadku 80 MHz i 800 MHz zastosowanie ma wyższy zakres częstotliwości.			
UWAGA 2: wytyczne te mogą nie mieć zastosowania w niektórych sytuacjach. Na rozchodzenie się fal elektromagnetycznych mają wpływ właściwości pochłaniania i odbijania konstrukcji, obiektów i ludzi.			
^a Siły pól emitowanych przez stałe nadajniki, takie jak stacje telefoniczne (komórkowe/bezprzewodowe), przenośne radia lądowe, radia amatorskie, stacje nadające sygnały radiowe AM i FM oraz TV nie dadzą się dokładnie przewidzieć w obliczeniach teoretycznych. Aby określić właściwości otoczenia elektromagnetycznego ze względu na obecność stałych nadajników fal radiowych, należy przeprowadzić pomiar poziomu zakłóceń elektromagnetycznych w miejscu montażu. Jeśli natężenie pola w miejscu montażu urządzenia przekracza dopuszczalny poziom zakłóceń fal radiowych, należy przyjrzeć się, czy urządzenie działa prawidłowo. Jeśli urządzenie nie działa prawidłowo, może być konieczne podjęcie środków zaradczych, takich jak przestawienie lub przeniesienia urządzenia.			
^b Powyżej zakresu częstotliwości 150 kHz – 80 kHz natężenia pól powinny wynosić mniej niż 3 V/m.			

INSTALACJA



Ryzyko nieprawidłowej instalacji.

Instalację i uruchomienie sprężarki może przeprowadzić wyłącznie wykwalifikowany specjalista. Jego obowiązkiem jest przeszkolenie operatorów w zakresie obsługi i konserwacji sprzętu. W dokumentacji instalacyjnej sprzętu powinien znaleźć się zapis poświadczający odbycie szkolenia operatorów. (Zobacz kartę gwarancyjną).

10. WARUNKI INSTALACJI

- Sprężarkę należy zainstalować i wykorzystywać tylko w suchych, dobrze wentylowanych i czystych pomieszczeniach, w których panują warunki opisane w rozdziale Dane techniczne.



Ryzyko uszkodzenia urządzenia.

Urządzenia nie można użytkować na zewnątrz ani w wilgotnym środowisku.



Ryzyko eksplozji.

Nie należy używać urządzenia w obecności wybuchowych gazów, kurzu lub łatwopalnych płynów.

- Sprężarkę należy tak zainstalować, aby zawsze była dostępna do pracy i konserwacji. Tabliczka znamionowa powinna znajdować się w dostępnym miejscu.
- Sprężarka powinna stać na płaskiej i stabilnej powierzchni (należy wziąć pod uwagę ciężar sprężarki, patrz rozdział Dane techniczne).



Na początku eksploatacji produktu może być wyczuwalny zapach „nowego urządzenia” (przez krótki czas). Jest to zjawisko przejściowe, które nie ma wpływu na działanie sprzętu. Po instalacji należy zapewnić właściwą wentylację.

11. MONTAŻ SPRĘŻARKI

11.1. Przenoszenie i rozpakowywanie sprężarki

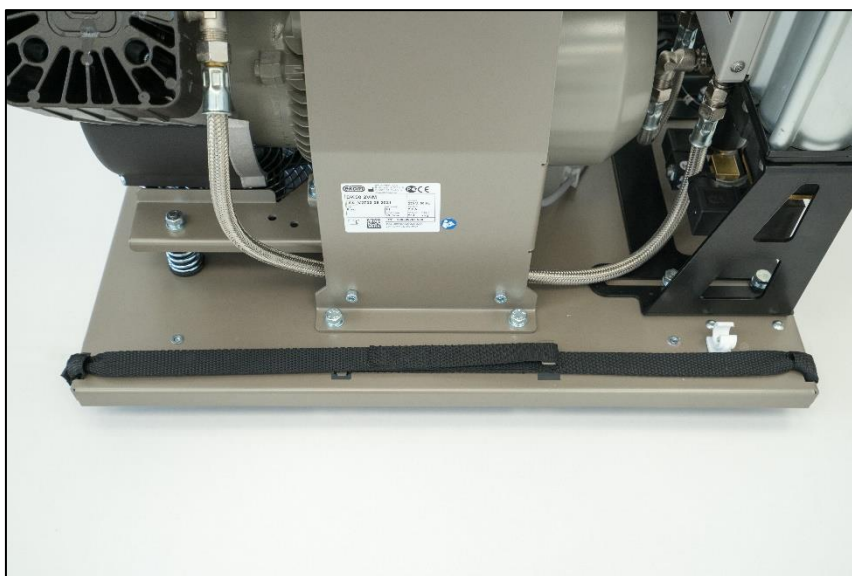
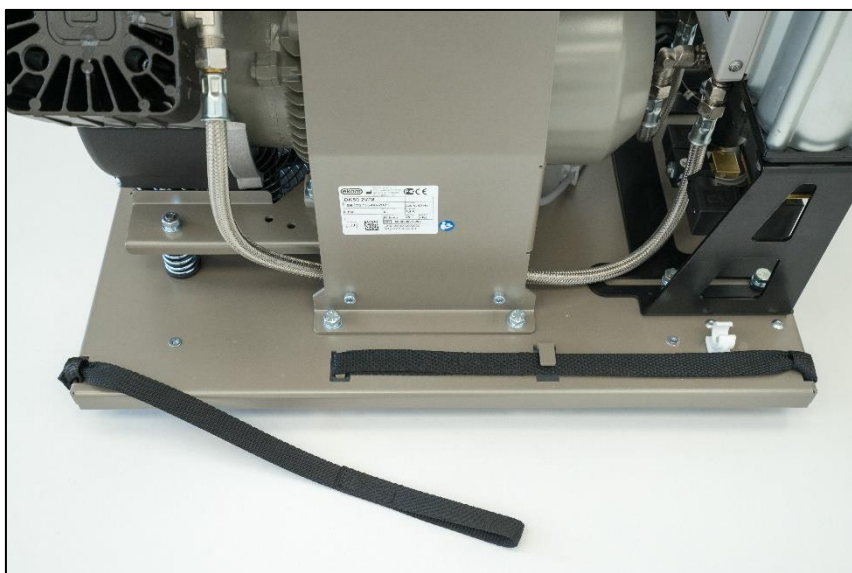
- Wyjmij sprężarkę z opakowania.
- W przypadku sprężarek z obudową otwórz przednie drzwi i wyjmij listwę połączeniową (17) znajdującą się w przedniej dolnej części. Wyjmij obudowę ze sprężarki.
- Ustaw sprężarkę w miejscu instalacji (Rys. 4).



W razie potrzeby przesunij sprężarkę za pomocą pasów i uchwytu na sprężarce. Nie chwytać za żadną inną część sprężarki (pompę powietrza, chłodnicę itd.).



Liczba osób potrzebnych do przeniesienia sprzętu musi być dostosowana do jego wagi.

Rys. 4: Manipulacja sprężarką za pomocą pasów do przenoszenia**Zabezpieczenie pasów do przenoszenia po postawieniu sprężarki w miejscu pracy**

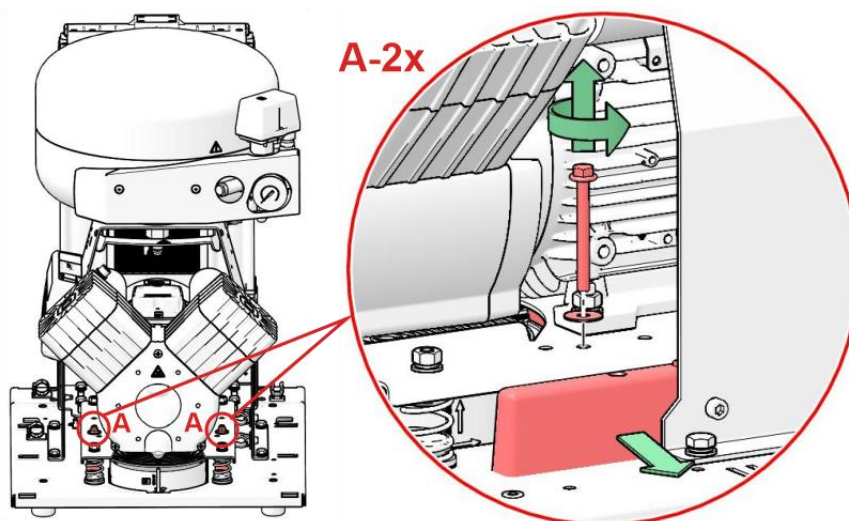
- Usunąć stabilizatory transportowe z pomp powietrza (Rys. 5).



Przed pierwszym uruchomieniem należy usunąć wszystkie zabezpieczenia służące do unieruchomienia urządzenia podczas transportu — ich pozostawienie grozi uszkodzeniem produktu.

Po zainstalowaniu i wypoziomowaniu sprężarki w ostatecznym miejscu usuń wszystkie mocowania zabezpieczające agregaty.

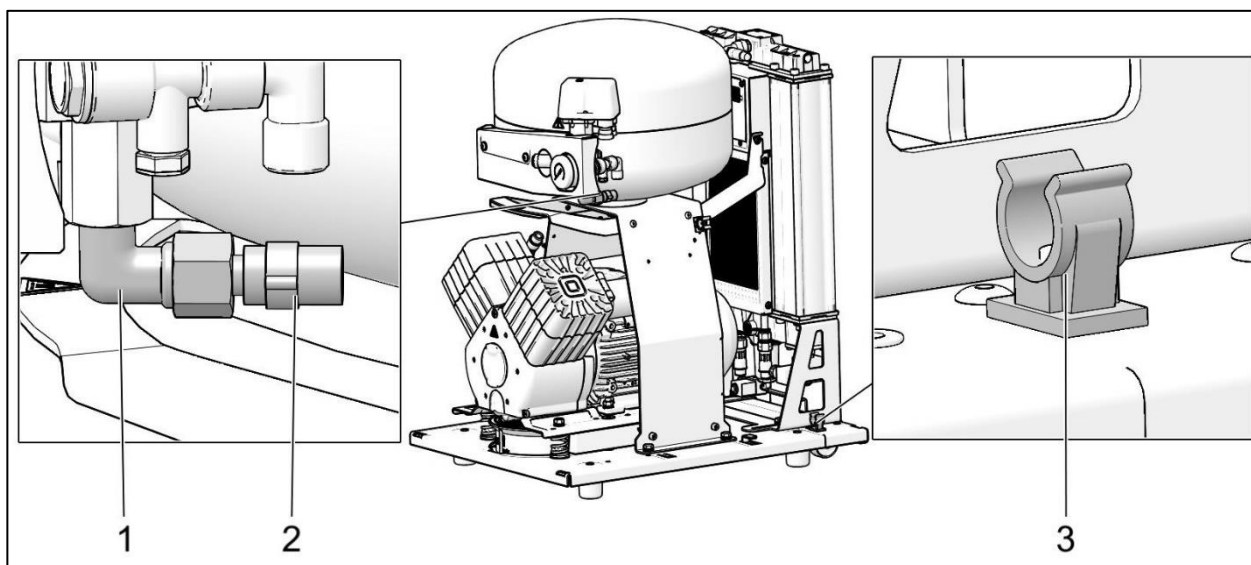
Rys. 5: Zwalnianie pomp powietrza



12. POŁĄCZENIA PNEUMATYCZNE

12.1. Podłączanie do wylotu sprężonego powietrza

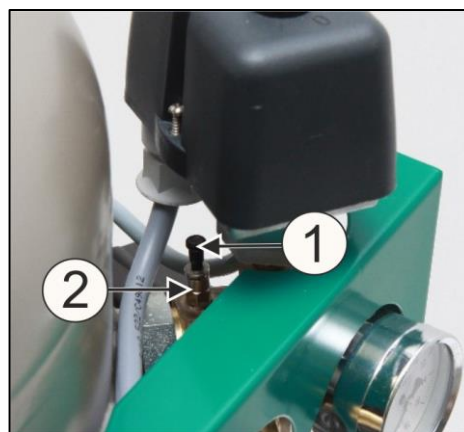
- Podłączyć wąż ciśnieniowy (2) do wylotu sprężonego powietrza (1) sprężarki (Rys. 6).
- Tlakovú hadicu zaistiť v príchytke (3) (Rys. 6).
- Poprowadzić wąż ciśnieniowy przez otwór po lewej stronie w tylnej ścianie obudowy (Rys. 8) w przypadku modeli z obudową.



Rys. 6: Podłączanie do wylotu sprężonego powietrza

12.2. Podłączanie miernika ciśnienia w obudowie do sprężarki

- Odkręć korek (1) z gwintu (2) na bloku pneumatycznym sprężarki.
- Połącz ciśnieniomierz obudowy z łącznikiem gwintowanym.



Rys. 7: Podłączanie ciśnieniomierza w obudowie do sprężarki

12.3. Montaż naczynia na kondensat

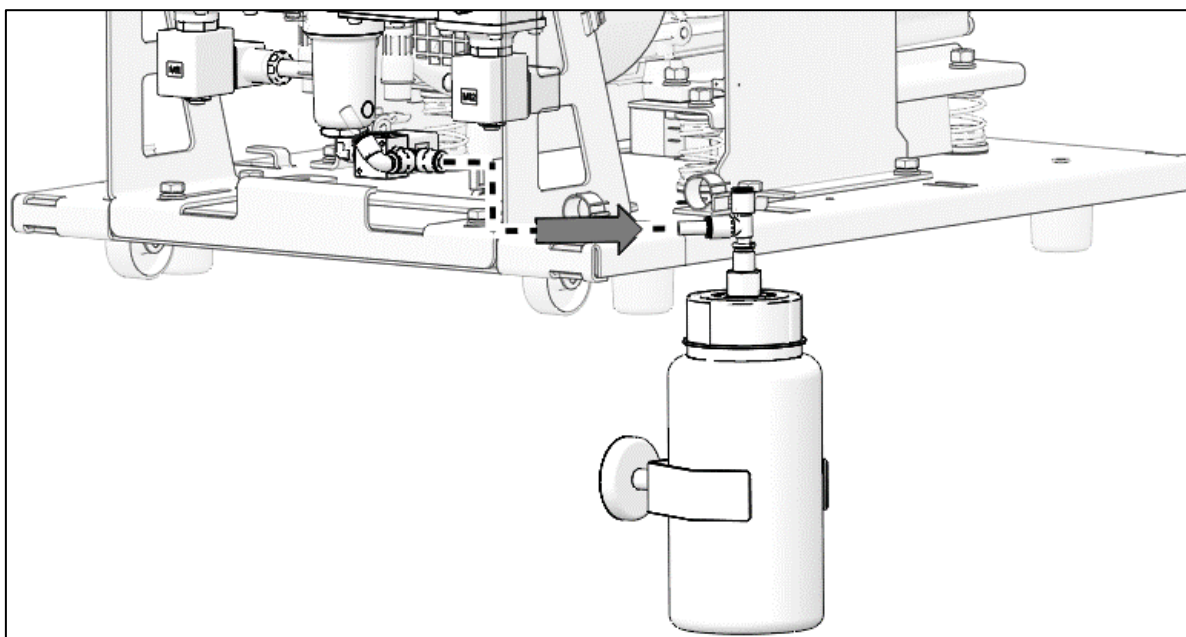
- Podłączyć wąż spustowy kondensatu do butli kondensatu na obudowie sprężarki (Rys. 8)
- Włożyć korek do wolnego wlotu naczynia zbiorczego kondensatu.
- Poprowadzić wąż przez otwór w tylnej ścianie obudowy w przypadku sprężarek z osuszaczem. Podłączyć zbiornik kondensatu za pomocą węża do wylotu kondensatu na osuszaczu.

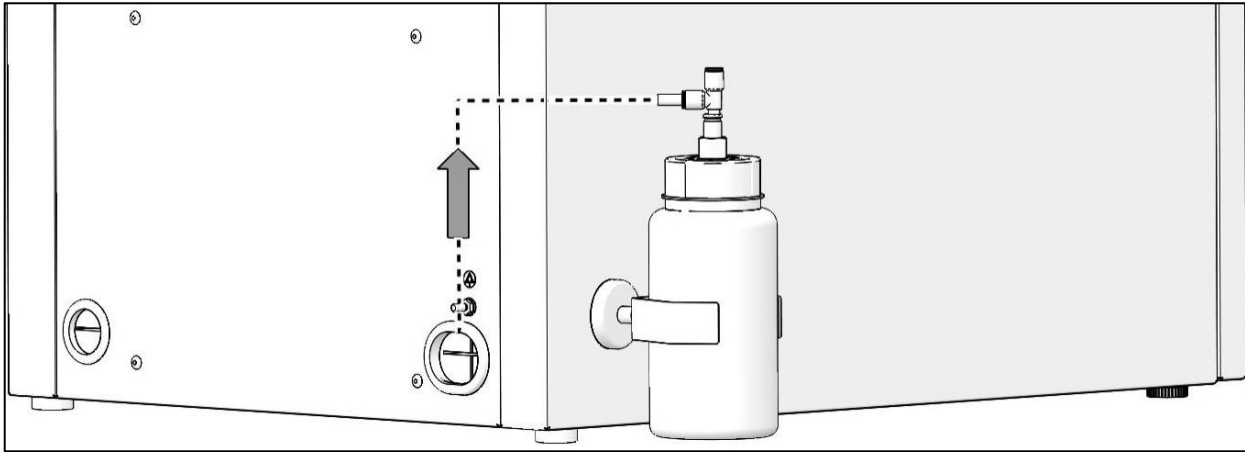


Ryzyko obrażeń.

Nie należy podłączać spustu kondensatu bezpośrednio do odpływu do ścieków! Mogą ucierpieć przechodnie!

Rys. 8: Podłączenie naczynia zbiorczego kondensatu





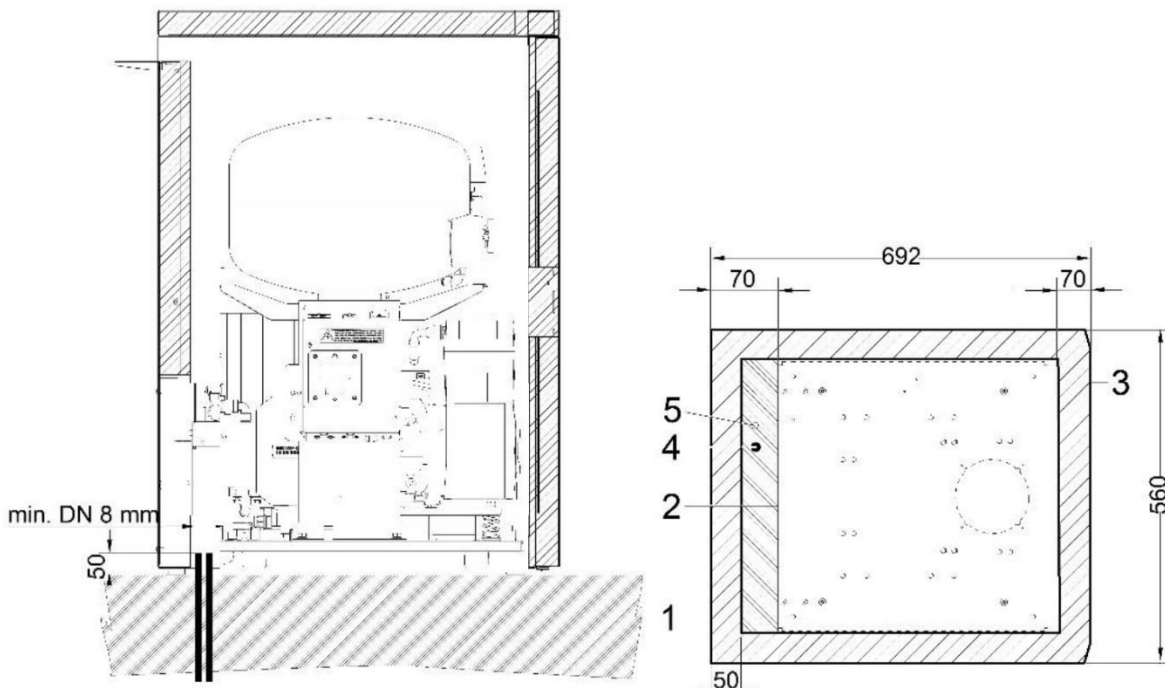
Ryzyko uszkodzenia elementów pneumatycznych.

Węże powietrzne nie mogą być uszkodzone.

12.4. Instalacja podłogowa

Podłączyć sprężarkę przy użyciu uprzednio przygotowanych węży podłogowych, zgodnie z planem instalacji.

Rys. 9: Instalacja podłogowa



Opisy Rys. 9:

- | | |
|--|--|
| <ol style="list-style-type: none"> 1. Kontur obudowy 2. Kontur podstawy 3. Część przednia – drzwiczki | <ol style="list-style-type: none"> 4. Złączka powietrza sprężonego, G3/8" 5. Wejście źródła zasilania:
230V/50(60)Hz 3Gx1.0x4000
3x400V/50Hz 5Gx1.0x4000 |
|--|--|
- Wszystkie wymiary są podane w milimetrach
 - Min. odległość od ściany 100 mm

13. POŁĄCZENIE ELEKTRYCZNE

- Do produktu jest dołączony przewód z wtyczką z bolcem uziemienia.
- Zapewnij łatwy dostęp do gniazdka, aby urządzenie można było bezpiecznie odłączyć od sieci.
- Połączenie z szafą elektryczną może mieć maksymalnie 16 A



Ryzyko porażenia prądem elektrycznym.

Należy przestrzegać wszystkich lokalnych przepisów elektrotechnicznych. Napięcie i częstotliwość sieci muszą zgadzać się z parametrami określonymi na tabliczce urządzenia.



Ryzyko pożaru i porażenia prądem elektrycznym.

Upewnić się, że przewód elektryczny nie dotyka gorących elementów sprężarki.



Ryzyko pożaru i porażenia prądem elektrycznym.

Przewód elektryczny nie może być uszkodzony.



Obudowa sprężarki DK50 2V S/M, wariant 6-8 barów, jest wyposażona w wentylator chłodzący i wyłącznik. Obudowę należy podłączyć za pomocą przewodu ze złączem do złącza w skrzynce elektrycznej sprężarki.

- Podłącz styk wyrównania potencjałów 6Ø mm (1) do obwodu elektrycznego w określony sposób zgodny z przepisami elektrotechnicznymi
- Gniazdo wyrównywania potencjałów (2) jest dodatkiem i nie jest dołączone do podstawowego zestawu



Rys. 10: Wyrównywanie potencjałów

13.1. Podłączanie sprężarki niezamontowanej w obudowie

- Włóż wtyczkę przewodu zasilającego do gniazda sieciowego.
- Sprężarka jest gotowa do działania.

13.2. Podłączanie sprężarki zamontowanej w obudowie

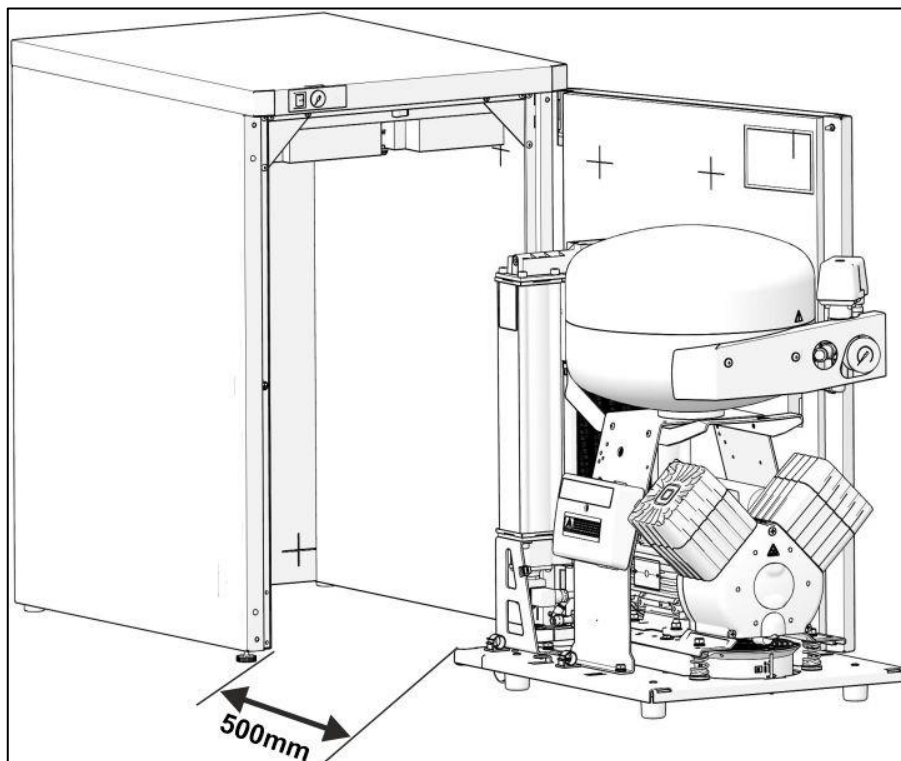
- Przełóż wtyczkę przewodu zasilającego przez otwór w tylnej ścianie obudowy sprężarki zamontowanej w obudowie.
- Połącz elektrycznie obudowę ze sprężarką, wkładając wtyczkę załączonego przewodu zasilania (1) do gniazda (2). (Rys. 11)
- Zlikwiduj połączenie elektryczne obudowy ze sprężarką, wyjmując wtyczkę (1) z gniazda, po uprzednim zwolnieniu zatrzasku.
- Przygotować wyświetlacz na przednich drzwiach obudowy, a następnie przymocować przewód do wyświetlacza za pomocą zacisków. (Rys. 16)

Rys. 11: Podłączanie obudowy do sprężarki



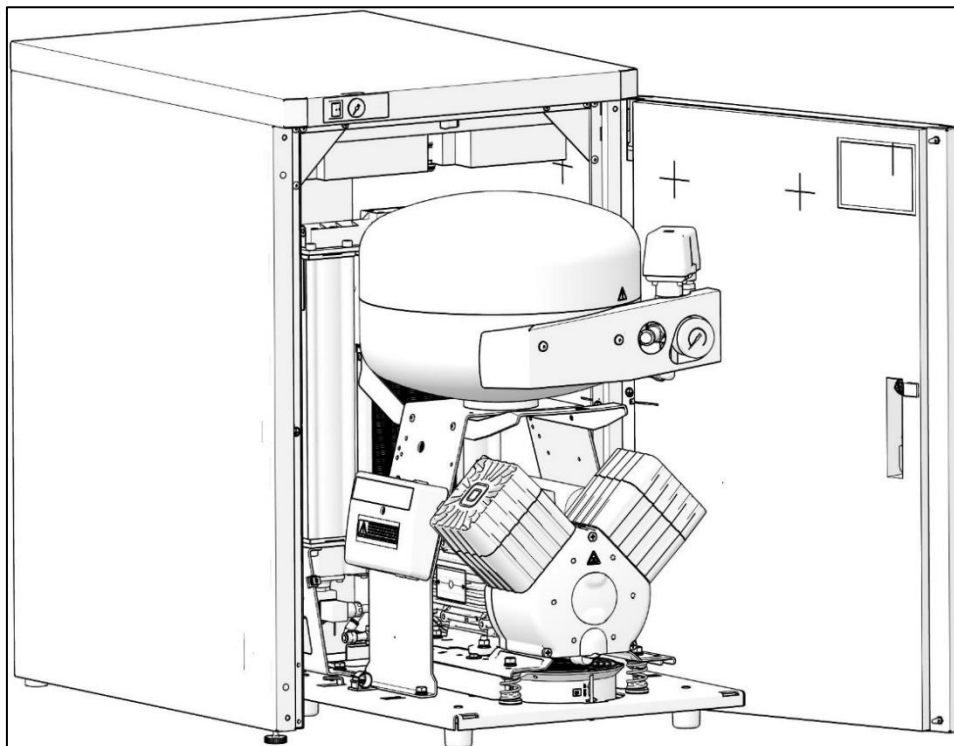
14. UMIESZCZENIE SPRĘŻARKI W OBUDOWIE

- Ustaw sprężarkę w odległości co najmniej 500 mm od obudowy, aby ułatwić poprowadzenie węży i przewodu zasilającego w obudowie (Rys. 12).



Rys. 12: Umieszczenie sprężarki, aby ułatwić prowadzenie przyłączy

- Wykonaj połączenia pneumatyczne zgodnie z rozdziałem 12.1.
- Podłącz zbiornik kondensatu zgodnie z rozdziałem 12.3.
- Poprowadź wąż ciśnieniowy, wąż spustowy kondensatu i przewód zasilania przez otwór w tylnej ścianie obudowy.
- Ustaw sprężarkę w takiej odległości od obudowy, aby złącze WINSTA mogło wykonać połączenie elektryczne między sprężarką a obudową (Rys. 11, Rys. 13).



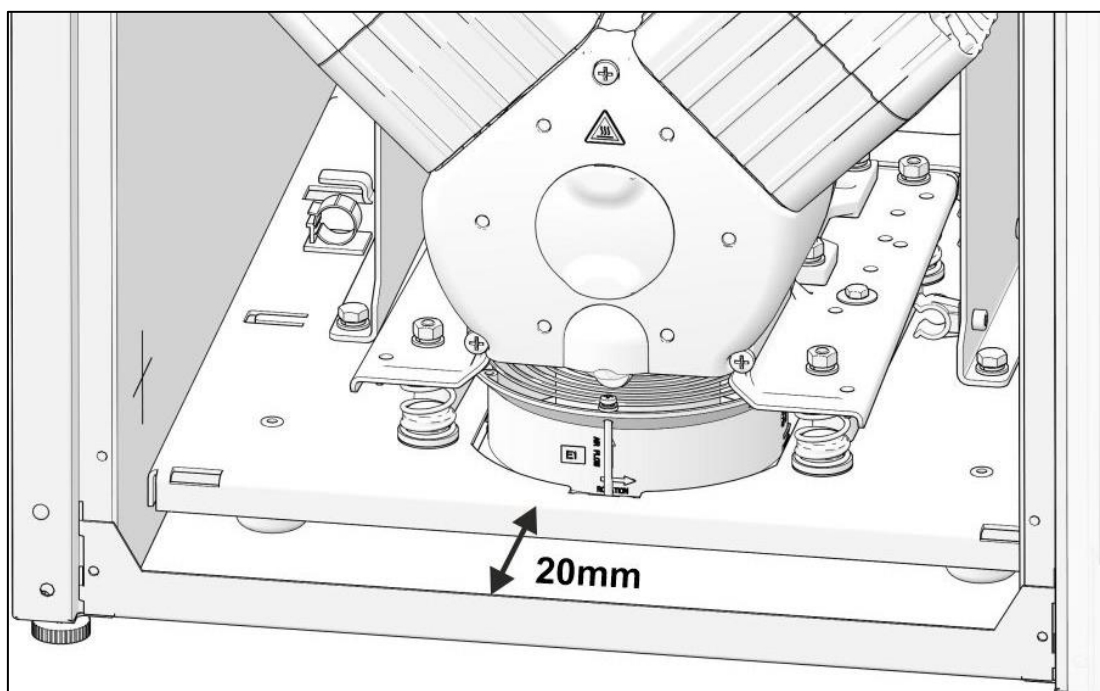
Rys. 13: Umieszczenie sprężarki umożliwiające wykonanie połączeń elektrycznych

- Podłącz elektrycznie sprężarkę zgodnie z rozdziałem 13.
- Wsuń sprężarkę do obudowy i zabezpiecz listwą połączeniową (17).



Sprężarki z osuszaczem powietrza nie można popychać do końca, ponieważ grozi to trwałym uszkodzeniem osuszacza.

- Upewnij się, sprężarka została całkowicie włożona do obudowy, posługując się dystansem kontrolnym (Rys. 14).

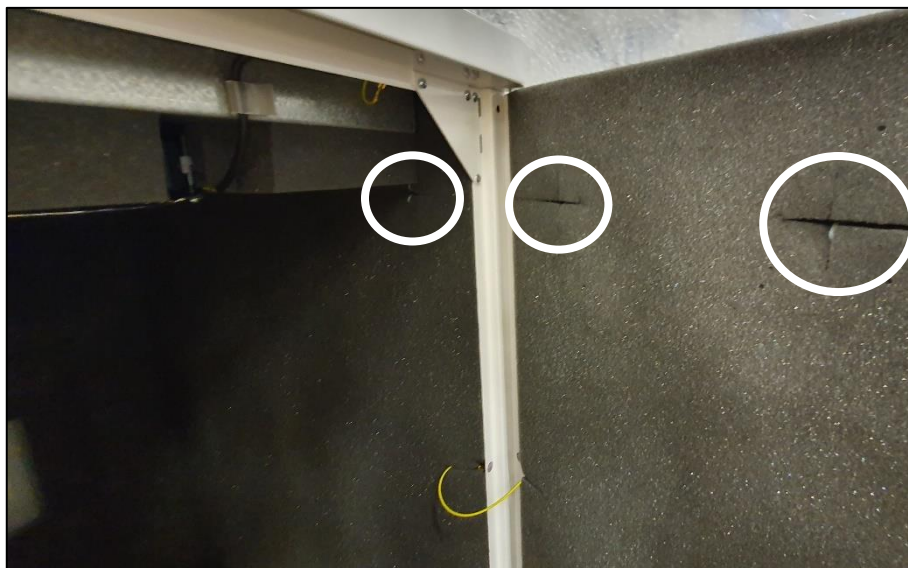


Rys. 14: Umieszczenie sprężarki DK50 2V/M w obudowie

- Podłącz manometr obudowy do sprężarki zgodnie z rozdziałem 12.2.
- Podłącz wyświetlacz do przednich drzwiczek obudowy (Rys. 15), a następnie przymocuj przewód do wyświetlacza za pomocą zacisków (Rys. 16).



Rys. 15: Podłączenie złącza wyświetlacza



Rys. 16: Położenie zacisków w obudowie

15. PRZYGOTOWYWANIE DO UŻYTKU

- Upewnij się, że wszystkie stabilizatory transportowe zostały usunięte.
- Sprawdź, czy wszystkie węże ciśnieniowe są prawidłowe (patrz rozdział 12).
- Sprawdź, czy urządzenie jest prawidłowo podłączone do sieci (patrz rozdział 13).
- Sprawdź ustawienie wyłącznika obudowy. Powinien być w pozycji „I”. Jeśli przełącznik główny (2) jest w pozycji „0”, przestaw go do pozycji „I” (Rys. 17).
- W przypadku sprężarek montowanych w obudowie ustaw przełącznik główny (5) z przodu obudowy w pozycji „I”. Zielona lampka będzie oznaczała, że urządzenie działa (Rys. 17).

- Sprawdź połączenie węża manometru obudowy z blokiem pneumatycznym sprężarki.
- Sprawdzić podłączenie naczynia zbiorczego kondensatu (patrz rozdział 12.3).
- Sprawdzić podłączenie wyświetlacza na przednich drzwiach obudowy.
- Ustawić język, godzinę i tryb osuszania (patrz rozdział 20.2) na wyświetlaczu sprężarki.

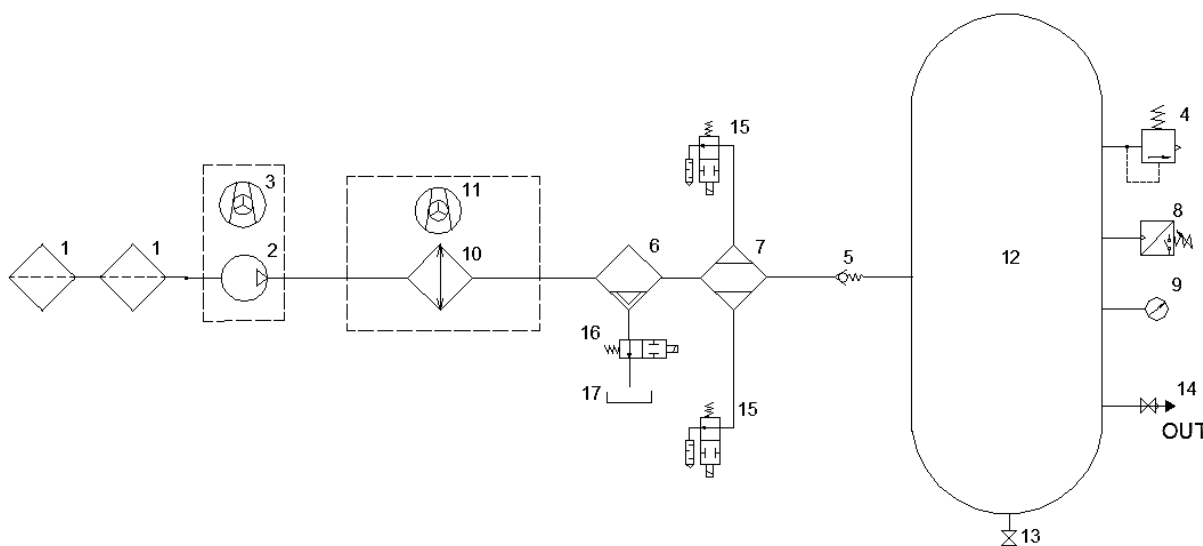


Sprężarka nie jest wyposażona w zapasowe źródło zasilania.

16. SCHEMATY PNEUMATYCZNE I ELEKTRYCZNE

16.1. Schemat pneumatyczny

DK50 2V/M, DK50 2V S/M



Opis schematu pneumatycznego:

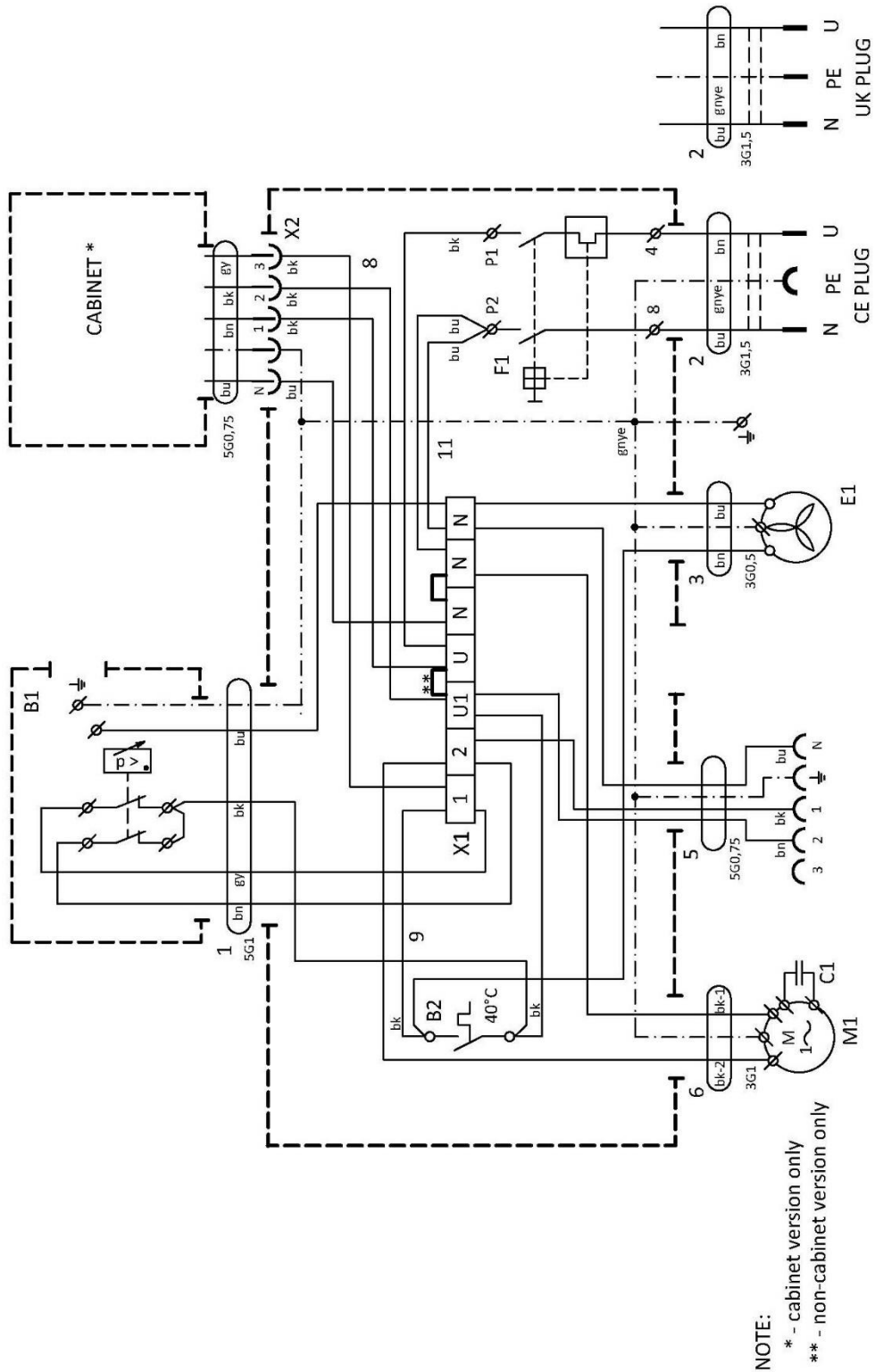
- | | |
|------------------------|---|
| 1 Filtr wlotowy | 10 Chłodnica |
| 2 Sprężarka | 11 Wentylator chłodnicy |
| 3 Wentylator | 12 Zbiornik powietrza |
| 4 Zawór bezpieczeństwa | 13 Zawór spustu kondensatu |
| 5 Zawór zwrotny | 14 Zawór wyjściowy |
| 6 Separator kondensatu | 15 Regeneracyjny elektromagnetyczny zawór |
| 7 Osuszacz | 16 Elektrozawór spustu kondensatu |
| 8 Łącznik ciśnieniowy | 17 Naczynie na kondensat |
| 9 Ciśnieniomierz | |

16.2. Schematy elektryczne

DK50 2V S/M

1/N/PE 230 V, 50/60 Hz

PRODUKT ELEKTRYCZNY KLASY 1.



Uwaga:

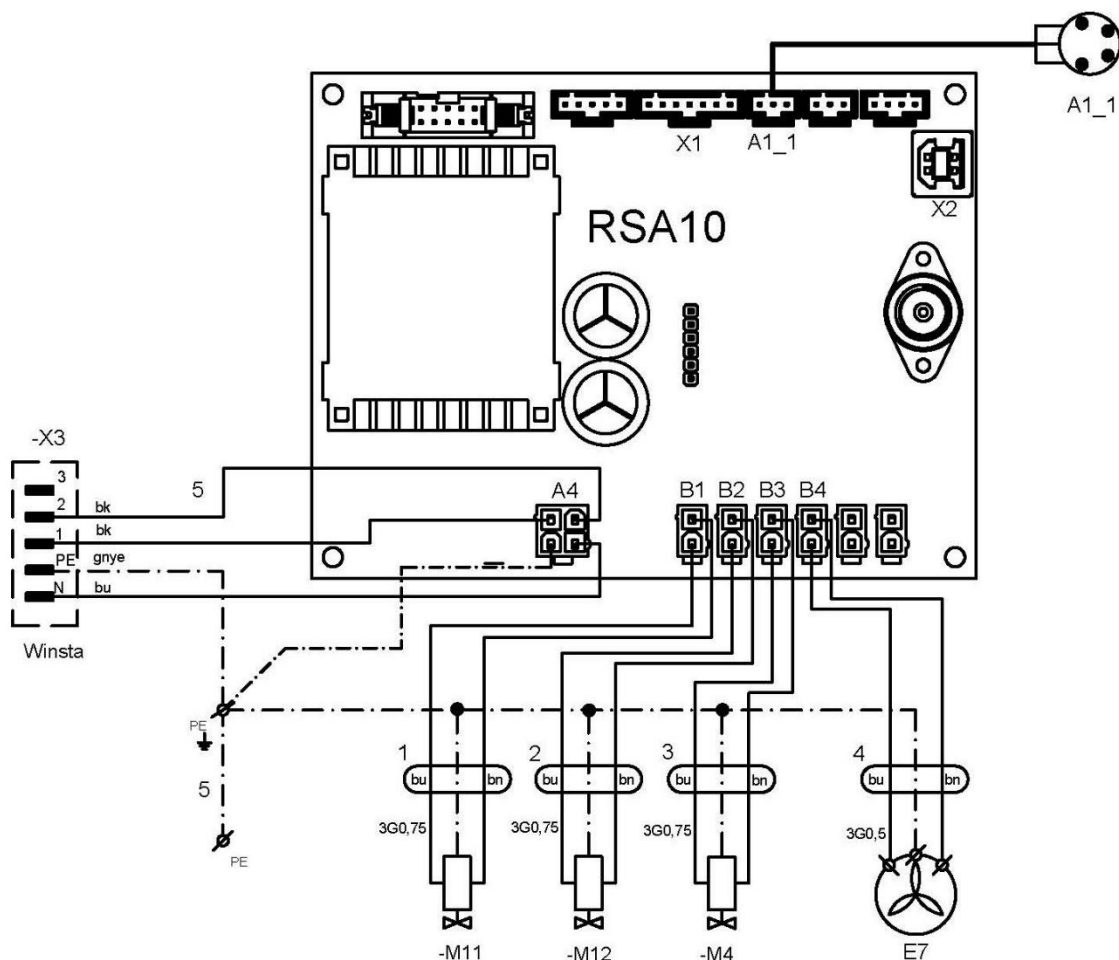
- Łącznik podłączać tylko w modelach sprężarek niemontowanych w obudowie (patrz rozdział 23.10)

AD140

1/N/PE ~ 230V, 50Hz / 230V, 60Hz

~ 120V, 60Hz

PRODUKT ELEKTRYCZNY KLASY 1.



Uwaga:

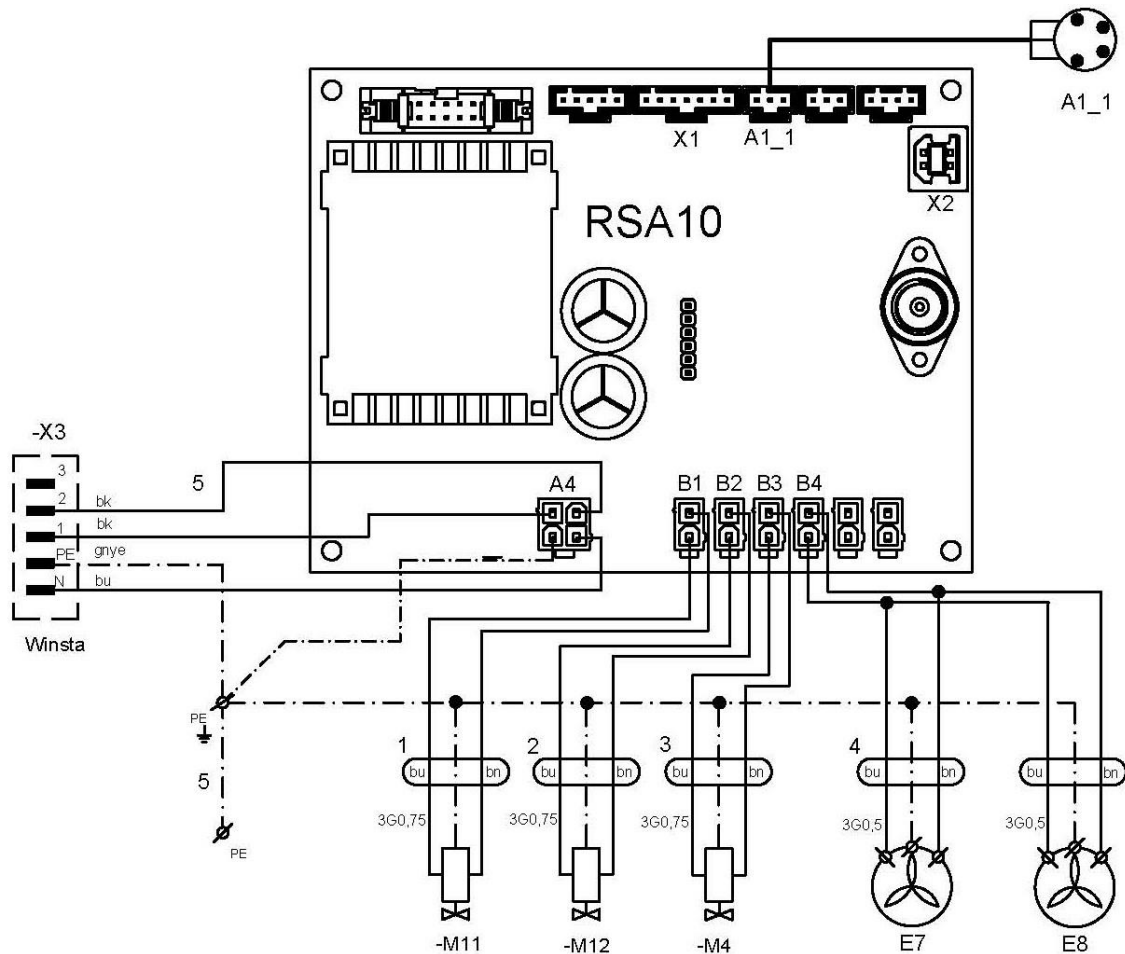
- Czujnik punktu rosy (A1_1) nie jest dołączony do osuszacza. Aby uzyskać więcej informacji, skontaktuj się z dostawcą.

AD280

1/N/PE ~ 230V, 50Hz / 230V, 60Hz

~ 120V, 60Hz

PRODUKT ELEKTRYCZNY KLASY 1.

**Uwaga:**

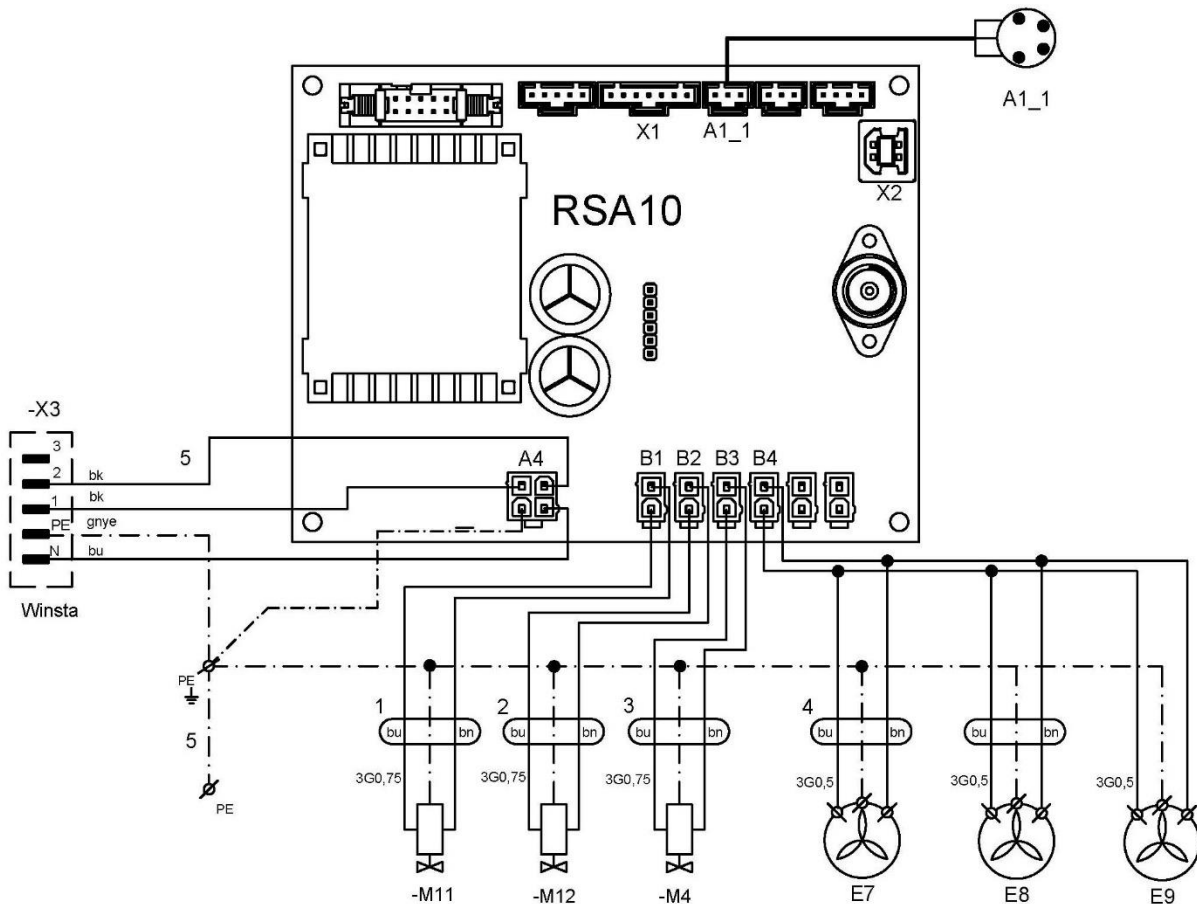
- Czujnik punktu rosy (A1_1) nie jest dołączony do osuszacza. Aby uzyskać więcej informacji, skontaktuj się z dostawcą.

AD500

1/N/PE ~ 230V, 50Hz / 230V, 60Hz

~ 120V, 60Hz

PRODUKT ELEKTRYCZNY KLASY 1.



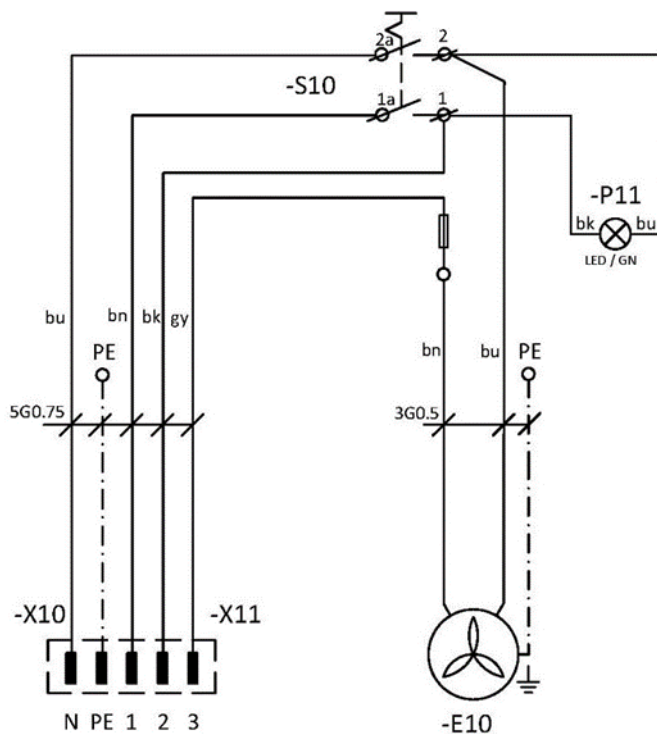
Uwaga:

- Czujnik punktu rosy (A1_1) nie jest dołączony do osuszacza. Aby uzyskać więcej informacji, skontaktuj się z dostawcą.

Obudowa sprężarki

1/N/E 230 V, 50 Hz

PRODUKT ELEKTRYCZNY KLASY 1.

**Opis schematów elektrycznych:**

M1	Silnik sprężarki	F1	Przełącznik bezpieczeństwa
E1	Wentylator sprężarki	S10	Przełącznik
E7-E9	Wentylator osuszacza	P11	Wskaźnik
E10	Wentylator obudowy	RSA 10	Sterownik
B2	Przełącznik temperatury	M11, M12	Elektrozawór – regeneracja
X10,X11	Złącze	M4	Elektrozawór nadmiarowy
B1	Przełącznik ciśnieniowy	X2, X3	Łączowka
X1	Skrzynka zaciskowa	A1_1	Złącze czujnika punktu rosy

OBSŁUGA

URZĄDZENIE MOŻE OBSŁUGIWAĆ TYLKO PRZESZKOLONY PERSONEL.



Ryzyko poparzenia lub pożaru.

Podczas pracy sprężarki części pompy mogą nagrzewać się do temperatur niebezpiecznych dla człowieka i materiałów.



Ostrzeżenie — sprężarki jest sterowany automatycznie.

Automatyczne uruchomienie: kiedy ciśnienie w zbiorniku ciśnieniowym spadnie poniżej ciśnienia włączającego, sprężarka automatycznie się włączy. Kiedy ciśnienie w zbiorniku powietrza osiągnie wartość wyłączającą, sprężarka automatycznie się wyłączy.



Możliwość uszkodzenia części pneumatycznych.

Nie należy zmieniać fabrycznych ustawień ciśnienia roboczego przełącznika ciśnieniowego. Praca sprężarki pod ciśnieniem poniżej wartości przełączenia wskazuje na duże zużycie powietrza (patrz rozdział Rozwiązywanie problemów).



Ryzyko uszkodzenia osuszacza.

Suszarka może ulec uszkodzeniu, jeśli będzie pracować w temperaturze otoczenia wyższej niż maksymalna temperatura pracy.



Wymagają skuteczność suszenia można uzyskać tylko w podanych warunkach działania.

Skuteczność suszenia i punkt rosy spadnie, jeśli osuszacz będzie działał pod ciśnieniem poniżej minimalnej wartości roboczej.



W trakcie działania sprężarki temperatura wokół niej może wzrosnąć do ponad 40°C. W tym momencie nastąpi automatyczne załączenie wentylatora chłodzącego. Wentylator wyłączy się, gdy temperatura otoczenia spadnie do około 32°C.

17. WŁĄCZANIE SPRĘŻARKI

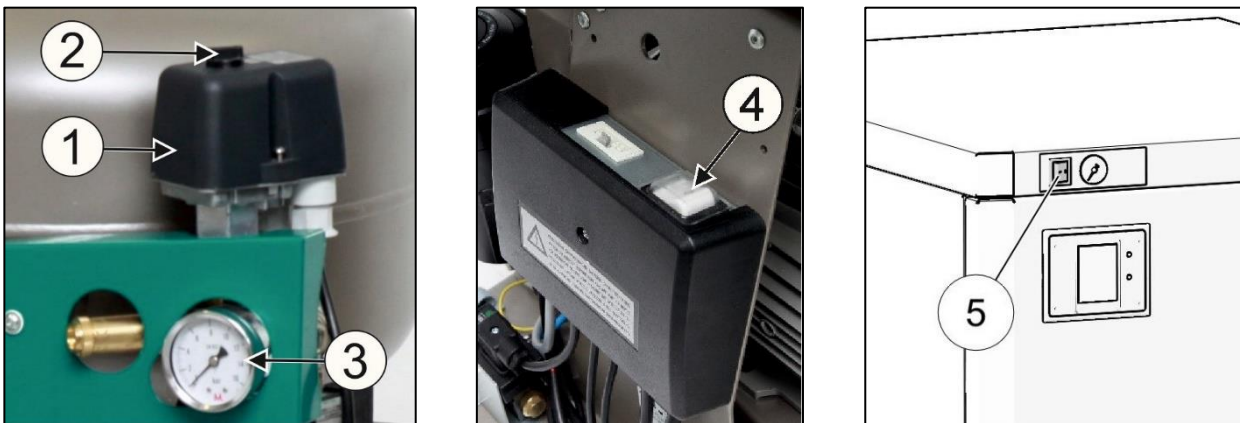
Uruchom sprężarkę (bez obudowy) przy przełączniku ciśnienia (1), ustawiając przełącznik (2) w pozycji „I”. Spowoduje to uruchomienie sprężarki i napełnienie zbiornika do ciśnienia odcięcia, które spowoduje wyłączenie sprężarki.

Uruchom sprężarkę (z obudową) przy przełączniku (5) z przodu obudowy. Zapali się zielona lampka. Nastąpi uruchomienie sprężarki i napełnienie zbiornika do ciśnienia odcięcia, które spowoduje wyłączenie sprężarki.

Sprężarka działa w trybie automatycznym i jest włączana i wyłączana przez przełącznik ciśnieniowy w zależności od stopnia zużycia sprężonego powietrza.

Sprawdź wartości ciśnienia załączania i wyłączania na ciśnieniomierzu (3). Tolerancja w zakresie $\pm 10\%$ jest akceptowalna. Ciśnienie w zbiorniku powietrza nie może przekraczać dozwolonego ciśnienia roboczego.

Rys. 17: Włączanie sprężarki



- **Sprężarka** – po pierwszym uruchomieniu i oddaniu do eksploatacji sprężarka napełnia zbiornik powietrza, aż do momentu wyłączenia sprężarki ciśnieniem przez i wyłącznik ciśnieniowy. Sprężarka pracuje w trybie automatycznym, włączana i wyłączana przez wyłącznik ciśnieniowy, w zależności od zużycia sprężonego powietrza.
- Podczas pracy sprężarki sprężone powietrze przechodzi przez chłodnicę i osuszacz, który usuwa wilgoć ze sprężonego powietrza.
- Kondensat jest również wydmuchiwany z odpływu na osuszaczu, co może być słyszalne jako syczenie, gdy kompresor wyłącza się lub gdy przełączają się komory suszenia.



Ryzyko uszkodzenia elementów pneumatycznych.

Przełącznik ciśnieniowy (1) został ustawiony przez producenta i zmiany tych ustawień może dokonać wyłącznie wykwalifikowany technik przeszkolony przez producenta.

18. WYŁĄCZANIE SPRĘŻARKI

- Wyłączenia sprężarki w celu przeprowadzenia prac serwisowych lub z jakiegokolwiek innego powodu należy dokonać przy użyciu przełącznika ciśnieniowego (1), przekręcając przełącznik (2) do pozycji „0” (Rys. 17), i **przez wyjęcie wtyczki z gniazda sieciowego**. To spowoduje odłączenie sprężarki od zasilania.
- Spuść powietrze ze zbiornika powietrza, otwierając zawór spustowy.

OSUSZACZ AD

19. ZASADA DZIAŁANIA

Osuszacz jest sterowany przez sygnał z przełącznika ciśnieniowego sprężarki.

Powietrze pobierane przez osuszacz trafia pod ciśnieniem do chłodziarki, gdzie zostaje schłodzone i część skondensowanej wilgoci zostaje oddzielona w zintegrowanym separatorze cyklicznym. Na dole separatora znajduje się zawór elektromagnetyczny V3, który spuszcza kondensat w regularnych odstępach czasu.

Następnie powietrze przechodzi do komory zaworu logicznego OR1, który wykrywa ciśnienie. Jeśli ciśnienie w komorze zaworu nie ma wartości $P1 = 3$ bary, regeneracyjne zawory elektromagnetyczne V1 i V2 (typ normalnie zamknięty) pozostają zamknięte i regeneracja nie zostaje włączona. Gdy ciśnienie w komorze zaworu logicznego przekroczy 3 bary, następuje przełączenie komory przy użyciu logiki opisanej w punkcie 19.1.

Kiedy sygnał z przełącznika ciśnieniowego kompresora znika, następuje otwarcie na krótko zaworów regeneracyjnych V1 i V2 w celu wywietrzenia agregatu sprężarki i komory osuszacza.

Odpowietrzanie i regeneracja osuszacza odbywają się przez wąż dzielony z odpływem separatora kondensatu i dlatego wylot kondensatu nie może być podłączony bezpośrednio do odpływu.

19.1. Regeneracja osuszacza

Regeneracja osuszacza załącza się, gdy ciśnienie P1 osiągnie wartość 3. W trakcie regeneracji zawory V1 i V2 przełączają się cyklicznie, w wyniku czego powstaje krótkie opóźnienie (dT) na wyrównanie ciśnień w komorach. W tym czasie oba zawory są zamknięte, po czym następuje rozpoczęcie kolejnego cyklu przełączania.

Ciśnienie robocze jest w komorze 1 i komora ta znajduje się w fazie osuszania. Natomiast w komorze 2 jest ciśnienie atmosferyczne i komora ta znajduje się w fazie regeneracji. Regeneracja komory odbywa się dzięki przepływowi powietrza przez dyszę osuszacza.

19.2. Tryb oszczędzania energii „Energy saving“ (tylko modele z czujnikiem punktu rosy)

Osuszacze wyposażone w czujnik punktu rosy mają dodatkowy mechanizm kontroli powietrza oczyszczającego, który pozwala im utrzymać zadany punkt rosy.

Po uzyskaniu zdefiniowanego punktu rosy regeneracja zostaje zatrzymana, aby zoptymalizować ilość powietrza oczyszczającego. Po zatrzymaniu regeneracji zawory V1 i V2 zostają zamknięte (w wyniku czego następuje zatrzymanie oczyszczania komory suchym powietrzem).

Zawory te kontynuują swój standardowy cykl przełączania, aby wyrównać obciążenie komór.

Gdy punkt rosy wzrasta, następuje wyłączenie trybu oszczędzania energii „Energy saving“ i osuszacz dalej działa z włączoną regeneracją.

Czas trwania dezaktywowanego trybu regeneracji

Tryb oszczędzania energii „Energy saving” z wyłączoną regeneracją jest ograniczony czasowo. Po zakończeniu zdefiniowanego interwału (4 przełączenia komory) zostaje dodany jeden cykl ze standardową regeneracją obu komór.

19.3. System alarmowy

Wszystkie alarmy urządzenia są sklasyfikowane jako niski priorytet techniczny zgodnie z normą EN 60601-1-8. Każdy alarm jest sygnalizowany specjalnym znakiem wizualnym (patrz rozdział 20), który miga. W razie awarii zadzwoń do autoryzowanego serwisu, aby zamówić naprawę.

Stany alarmowe oznaczają potencjalną awarię urządzenia. Dlatego nie można dezaktywować

sygnałów alarmowych.

Wszystkie sygnały alarmowe są przejściowe – kiedy znika przyczyna, następuje ich dezaktywacja.

Pozycja operatora. Nie jest wymagana żadna konkretna pozycja operatora. Operator może pozostać w zasięgu wizualnego sygnału ostrzegawczego w zależności od rzeczywistych warunków pracy.

Niskie ciśnienie. Ten sygnał jest aktywny, gdy czujnik ciśnienia osuszacza odczytuje ciśnienie w osuszaczu poniżej zdefiniowanego poziomu 3 barów. Ten alarm podczas pracy może wywołać wyciek powietrza ze sprężarki/osuszacza, awaria elektromagnetycznych zaworów sterujących osuszacza lub błąd oprogramowania.

Wysokie ciśnienie. Ten sygnał jest aktywny, gdy czujnik ciśnienia osuszacza odczytuje wzrost ciśnienia powyżej górnej granicy. Wówczas agregat się wyłącza i pozostaje wyłączony do momentu spadku ciśnienia. Jeżeli agregat nie wyłącza się, nadmiar ciśnienia jest usuwany przez zawór bezpieczeństwa na zbiorniku powietrza sprężarki.

Wysoki punkt rosy. Ten sygnał jest aktywny, gdy czujnik punktu rosy odczytuje wysoką wartość punktu rosy.

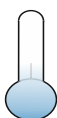
Upłynięcie okresu serwisowego. Ten sygnał jest aktywny do czasu wykonania przeglądu i wyzerowania okresu lub wprowadzenia nowego okresu serwisowego.

20. INTERFEJS UŻYTKOWNIKA / USTAWIENIA

20.1. Znaczenie symboli pojawiających się na wyświetlaczu



Symbol reprezentujący instrukcję obsługi lub polecający przeczytanie instrukcji obsługi.



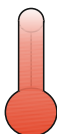
Symbol wyrażający temperaturę otoczenia (od 25°C) związany z wybranym trybem.

Program reguluje wstępne napełnianie komory w danym trybie.



Symbol wyrażający temperaturę otoczenia (od 25°C do 30°C) związany z wybranym trybem.

Program reguluje wstępne napełnianie komory w danym trybie.



Symbol wyrażający temperaturę otoczenia (powyżej 30°C) związany z wybranym trybem.

Program reguluje wstępne napełnianie komory w danym trybie.



Powrót do menu głównego na 4 głównych ekranach.



Powrót



Symbol okresu przeglądowego



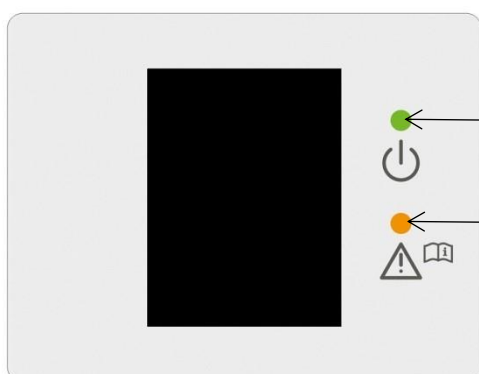
Symbol oznaczający, że trwa regeneracja komory osuszacza



Symbol oznaczający, że trwa osuszanie w komorze osuszacza



Symbol oznaczający wstępne napełnienie komory – wyrównanie ciśnienia w komorach.

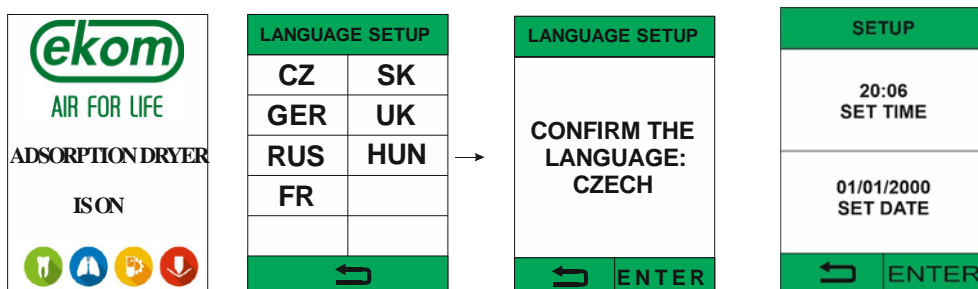


Wskazanie, że urządzenie działa

Wskazanie stanu alarmowego
(włączony przez cały czas trwania stanu alarmowego)

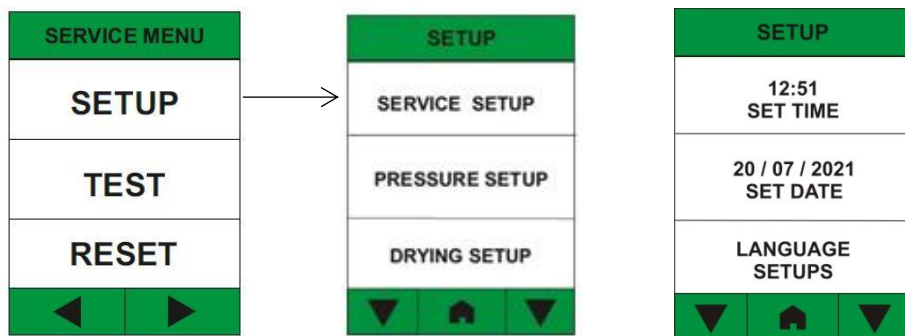
20.2. Początkowe ustawienia interfejsu użytkownika

Po pierwszym uruchomieniu programu pojawią się opcje wyboru języka oraz ustawienia godziny i daty. Podczas instalacji serwisant ustawia język, godzinę i datę na podstawie geograficznego położenia instalowanego osuszacza. Program zapisuje i zapamiętuje to ustawienie. Opcja ta nie pojawia się przy ponownym uruchomieniu programu. Zatwierdzenie tej opcji spowoduje rozpoczęcie odliczania godzin pracy.



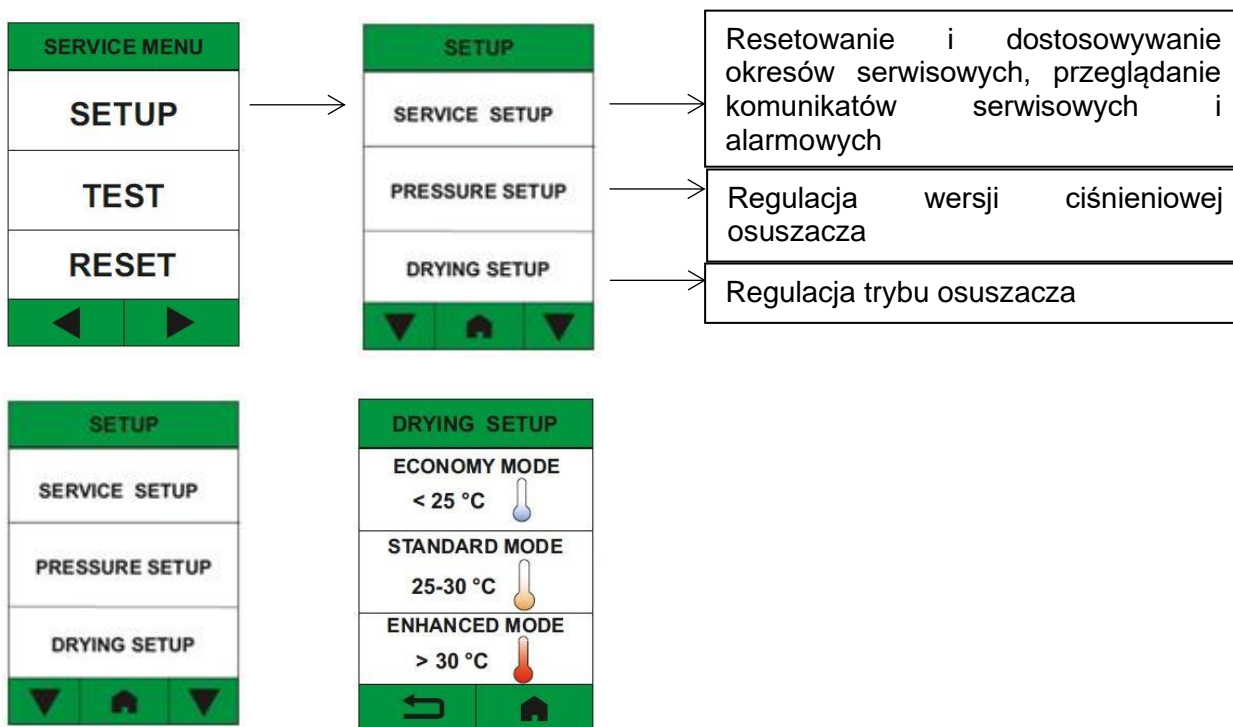
20.3. Ustawianie daty i godziny podczas uruchamiania

Zaleca się ustawienie daty i godziny podczas uruchamiania. Ustawienia te zmienia się w menu serwisowym w sekcji USTAWIENIA. Dostęp do menu serwisowego jest chroniony kodem (1992). W menu USTAWIENIA należy dotknąć strzałki w dół, aby ustawić datę i godzinę. W ten sam sposób można zresetować język interfejsu użytkownika poprzez USTAWIENIA JĘZYKA.



20.4. Ustawianie trybu suszenia podczas uruchamiania

Zaleca się ustawienie trybu suszenia powietrza podczas uruchamiania. Ustawienia te zmienia się w menu serwisowym w sekcji USTAWIENIA SERWISOWE. Dostęp do menu serwisowego jest chroniony kodem.



Tryb suszenia ustawia się na podstawie oczekiwanego zakresu ciśnień, w jakim urządzenie będzie pracować, oraz wersji sprężarki (z obudową lub bez).

- sprężarka bez obudowy $t_0 < 25\text{ °C}$ – ustawić na tryb EKONOMICZNY (ECONOMY)
- sprężarka bez obudowy $t_0 = 25\text{ °C} - 30\text{ °C}$ – ustawić na tryb STANDARD (STANDARD)
- sprężarka bez obudowy $t_0 > 30\text{ °C}$ – ustawić na tryb ROZSZERZONY (ENHANCED)
- sprężarka w obudowie – ustawić na tryb ROZSZERZONY (ENHANCED)

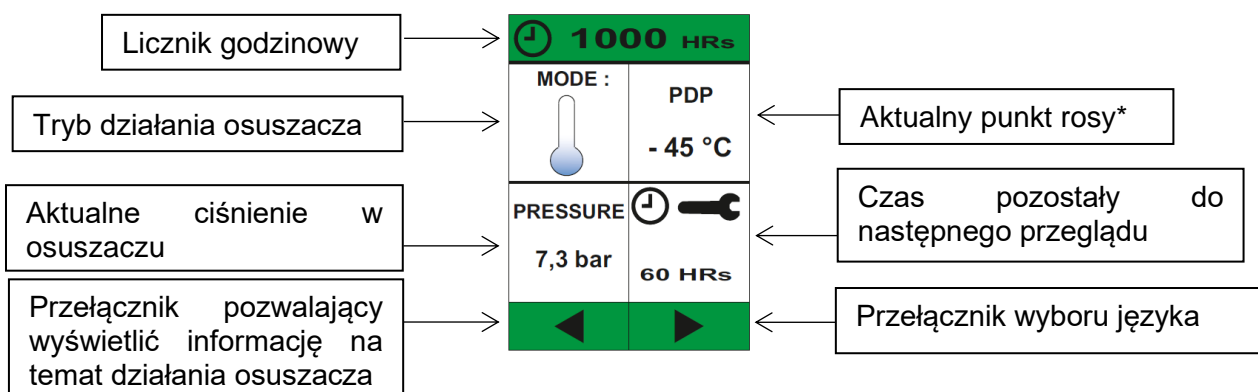
t_0 - temperatura otoczenia

21. EKRANY GŁÓWNE

Po ustawieniu języka interfejsu użytkownika zostaje otwarty ekran podstawowy. Z niego można uzyskać dostęp do czterech ekranów głównych.

Do przechodzenia między tymi ekranami służą strzałki na dole ekranu.

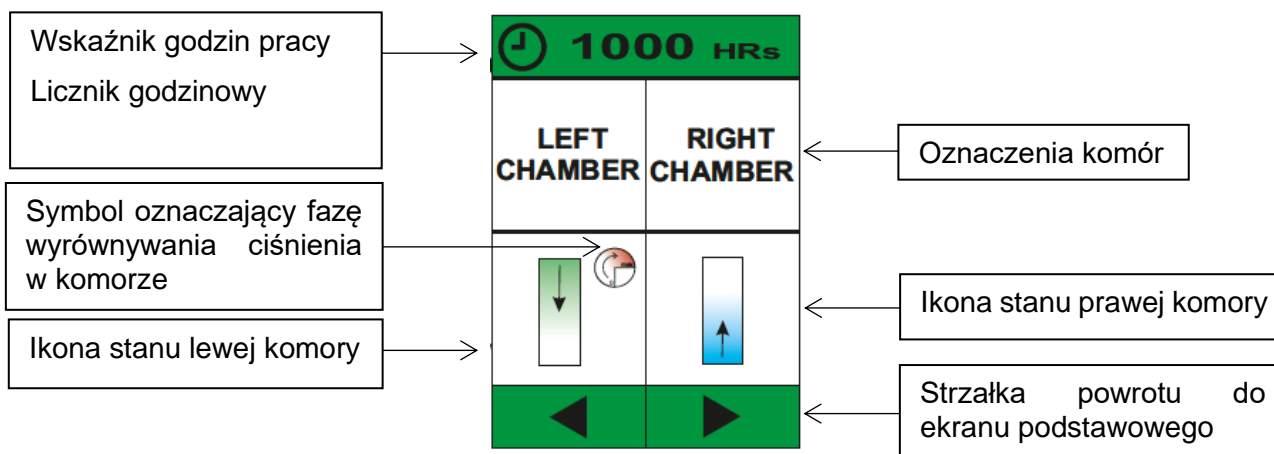
21.1. Ekran główny



(* Te informacje są pokazywane tylko przez sprężarki wyposażone w czujnik punktu rosy)

- Na ekranie podstawowym osuszacza znajdują się podstawowe informacje i parametry. Wskaźnik godzin pracy osuszacza znajduje się u góry ekranu. Na ekranie podstawowym znajdują się 4 kafelki, które wyświetlają następujące informacje:
- Tryb działania osuszacza (zobacz rozdział 20.1)
- Aktualne ciśnienie w osuszaczu (min. ciśnienie robocze wyłączające regenerację wynosi 3 bary)
- Aktualny ciśnieniowy punkt rosy (dotyczy tylko sprężarek wyposażonych w czujnik punktu rosy)
- Czas pozostały do następnego przeglądu (zobacz rozdział 22.1, 22.2 – okresy przeglądowe).

21.2. Ekran działania osuszacza



Wskaźnik godzin pracy osuszacza znajduje się u góry ekranu. Ekran działania osuszacza także jest podzielony na cztery kafelki przedstawiające cykle robocze komory osuszacza za pomocą graficznej ilustracji stanów działania każdej komory.



Symbol oznaczający, że trwa regeneracja komory osuszacza

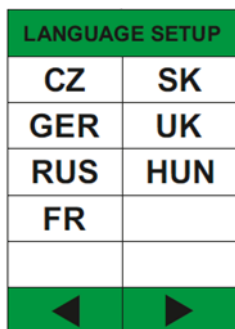


Symbol oznaczający, że trwa osuszanie w komorze osuszacza



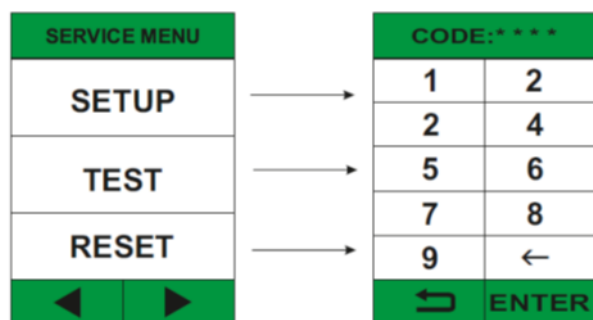
Symbol oznaczający wstępne napełnienie komory — wyrównanie ciśnienia w komorach.

21.3. Ekran ustawień języka



Ekran ustawień języka to jeden z ekranów głównych.

21.4. Ekran menu serwisowego



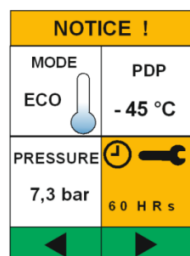
Menu serwisowe jest przeznaczone wyłącznie dla serwisantów. Dostęp do jego poszczególnych pozycji jest zabezpieczony hasłem (1992).

22. OZNACZENIA STANÓW KONSERWACJI I ALARMU

Sterownik osuszacza adsorpcyjnego może monitorować wybrane parametry (ciśnienie i ciśnieniowy punkt rosy w wersjach z czujnikiem punktu rosy) oraz umożliwia przeglądanie podstawowych stanów działania osuszacza.

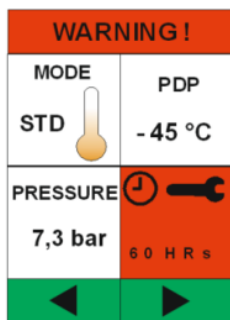
Na podstawie wartości parametrów i danych serwisowych sterownik wyświetla informacje dotyczące usterek w postaci następujących powiadomień i ostrzeżeń.

22.1. Powiadomienie – zbliżający się przegląd



- 100 godzin pracy do następnego przeglądu – **żółte powiadomienie „Uwaga!” („Notice!”)** Kafelek przeglądu zmienia kolor na pomarańczowy.
- Ponadto zostaje wyświetlona liczba godzin do następnego przeglądu.
- Ostrzeżenie jest wyświetlane aż zostanie przeprowadzony przegląd i okres przeglądu zostanie zresetowany.

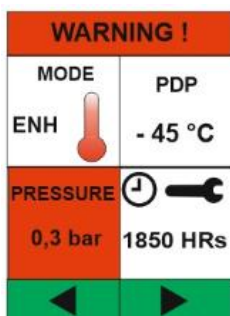
22.2. Ostrzeżenie – minął termin przeglądu



- Czerwone ostrzeżenie „Ostrzeżenie!” („Warning!”) pojawia się po upływie terminu przeglądu. Kafelek przeglądu zmienia kolor na czerwony.
- Ostrzeżenie jest wyświetlane aż zostanie przeprowadzony przegląd i okres przeglądu zostanie zresetowany.
- Ponadto zostaje wyświetlona liczba godzin do następnego przeglądu.
- Lista ostrzeżeń zostaje zapisana w „Dzienniku ostrzeżeń” („Warning log.)”
- Suszarka nadal działa normalnie

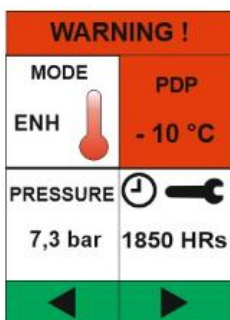
22.3. Warunki alarmowe

Wysokie/niskie ciśnienie



- To ostrzeżenie może się pojawić tylko na osuszaczach z czujnikami punktu rosy
- Czerwone ostrzeżenie zostaje wyświetlone „Ostrzeżenie!” („Warning!”) w przypadku wykrycia wysokiego punktu rosy (powyżej -20°C lub -40°C w zależności od wersji osuszacza). Jednocześnie kafelek aktualnego ciśnieniowego punktu rosy zmienia kolor na czerwony.
- Ostrzeżenie jest widoczne przez cały czas utrzymywania się warunków alarmowych.
- Lista ostrzeżeń zostaje zapisana w „Dzienniku ostrzeżeń” („Warning log.)”
- Osuszacz nie pracuje normalnie, regeneracja nie jest rozpoczęta, sprężarka musi zostać wyłączona.

Wysoki punkt rosy



- To ostrzeżenie może się pojawić tylko na osuszaczach z czujnikami punktu rosy
- Czerwone ostrzeżenie zostaje wyświetlone „Ostrzeżenie!” („Warning!”) w przypadku wykrycia wysokiego punktu rosy (powyżej -20°C lub -40°C w zależności od wersji osuszacza). Jednocześnie kafelek aktualnego ciśnieniowego punktu rosy zmienia kolor na czerwony.
- Ostrzeżenie jest widoczne przez cały czas utrzymywania się warunków alarmowych.
- Lista ostrzeżeń zostaje zapisana w „Dzienniku ostrzeżeń” („Warning log.)”
- Osuszacz nie działa prawidłowo lub jest używany poza zalecanymi warunkami użytkowania, należy wyłączyć sprężarkę.



Po pierwszym uruchomieniu urządzenia może się pojawić alarm wysokiego punktu rosy. Zniknie on po regeneracji osuszacza. Czas regeneracji osuszacza zależy od wielu parametrów użytkowania urządzenia. Regeneracja osuszacza powinna zająć nie więcej niż 24 godziny pracy osuszacza. Jeśli osuszacz nie może osiągnąć zadanego punktu rosy w ciągu pierwszych 24 godzin, należy skontaktować się z serwisem.

22.4. Ekran wezwania serwisu „Call Service”



- Ekran wezwania serwisu „Call Service” pojawia się naprzemiennie z ekranem głównym w przypadku, gdy pojawi się powiadomienie lub ostrzeżenie.

KONSERWACJA PRODUKTU**23. KONSERWACJA PRODUKTU**

Operator powinien regularnie sprawdzać urządzenie w okresach określonych przez odpowiednie przepisy. Wyniki testów należy zapisywać.

Urządzenie zaprojektowano i wyprodukowano w taki sposób, aby ograniczyć ilość konserwacji do minimum. Aby zapewnić prawidłowe i niezawodne działanie sprężarki, należy przestrzegać poniższych zaleceń.



Interwencja niepowołanych osób — zagrożenie.

Prace naprawcze poza standardowymi czynnościami konserwacyjnymi (patrz rozdział 23.1) mogą być przeprowadzane wyłącznie przez wykwalifikowanego technika (organizację autoryzowaną przez producenta) lub serwis producenta.

Standardowe czynności konserwacyjne (patrz rozdział 23.1) mogą być przeprowadzane wyłącznie przez przeszkolony personel operatora.

Należy używać wyłącznie części zamiennych i akcesoriów zatwierdzonych przez producenta.



Niebezpieczeństwo zranienia lub uszkodzenia sprzętu.

Przed rozpoczęciem prac konserwacyjnych przy sprężarce należy:

- **sprawdzić, czy da się odłączyć sprężarkę od urządzenia, aby uniknąć ryzyka zranienia osoby korzystającej z tego urządzenia lub uszkodzenia materiałów;**
- **wyłączyć sprężarkę;**
- **odłączyć ją od sieci, wyjmując wtyczkę przewodu zasilania z gniazda;**
- **spuścić sprężone powietrze ze zbiornika powietrza.**



Wypuszczanie sprężonego powietrza stwarza ryzyko zranienia.

Podczas spuszczenia sprężonego powietrza z obwodu wysokociśnieniowego (zbiornika powietrza) należy mieć założone okulary ochronne.



Ryzyko poparzenia.

Części agregatu (głowica, cylinder, wąż ciśnieniowy itp.) są bardzo gorące podczas pracy sprężarki i krótko po zakończeniu jej pracy – nie wolno ich dotykać!

Przed jakąkolwiek konserwacją produktu, serwisem lub podłączeniem/odłączeniem sprężonego powietrza należy poczekać, aż urządzenie ostygnie!



Uziemienie odłączone na czas prac serwisowych należy podłączyć z powrotem po ich zakończeniu.

- **W celu przeprowadzenia prac konserwacyjnych lub naprawczych sprężarkę można wyjąć z obudowy (wyciągając ją na kółkach na odległość, na jaką pozwala przewód łączący sprężarkę z obudową). (patrz rozdz. 23) Następnie można przeprowadzić prace naprawcze lub konserwacyjne.**
- **Jeżeli przewód łączący sprężarkę i obudowę odłączy się (nastąpi wypadnięcie wtyczki sieciowej, patrz rozdz. 13.2), sprężarka nie będzie działała. Aby przywrócić funkcjonalność sprężarki, należy wykonać czynności opisane w rozdz. 13.2, 23.10 lub 0.**

23.1. Okresy konserwacyjne

Wykonawca	operator		wykwalifikowany technik																			
	Zestaw części zamiennych		Rozdz.																			
Odstęp czasu ^{b)}	-		23.2	9	23.3	23.4	23.8	23.6	-													
	50 Hz	60 Hz	24000 h	19200 h	20000 h	16000 h	12000 h	8000 h	6400 h	4800 h	3200 h	Raz na dwa lata	Raz na rok	Raz na tydzień	Raz dziennie	025200139-000	025200150-000					
Kontrola działania produktu	x																					
Kontrola funkcjonowania produktu		x																				
Sprawdzenie szczelności połączeń pneumatycznych i oględziny urządzenia													x									
Oględziny połączeń elektrycznych													x									
Kontrola chłodnicy i wentylatora													x									
Kontrola zaworu bezpieczeństwa													x									
Wymiana filtra wlotowego pompy i filtra wstępnego ^{a)}															x	x	x					

a) Dane są podane w godzinach, jeśli niedostępne, dane są w latach

b) Przerwa czasowa skrócona o 20% dla wariantów sprężarek 60 Hz.

(2000h./1600h., 4000h./3200h., 6000h./4800h., 8000h./6400h., 10000h./8000h., 12000h./9600h.)

c) Cokolwiek nastąpi pierwsze: 4 lata/8 000 godzin.

d) Cokolwiek nastąpi pierwsze: 8 lat/20 000 godzin.

Odstęp czasu ^{b)}	50 Hz	60 Hz	Raz dziennie	Raz na tydzień	Raz na rok	Raz na dwa lata	4000 h	6000 h	8000 h	10000 h	12000 h	16000 h	20000 h	24000 h	Rozdz.	Zestaw części zamiennych	Wykonawca
							3200 h	4800 h	6400 h	8000 h	9600 h	12800 h	16000 h	20000 h			
Kalibracja czujnika punktu rosy						x									23.9	-	wykwalifikowany technik
Wymiana kaset z adsorbentem ^{c)}									x				x		Zobacz instrukcję serwisową	603022476-000	
Wymiana logicznego zaworu kulowego osuszacza									x				x			069000317-000	
Wymiana zaworu elektromagnetycznego osuszacza ^{d)}													x			025300117-000	
Przeprowadzić „powtórny test” zgodnie z EN 62353						x									23	-	

^{a)} Dane są podane w godzinach, jeśli niedostępne, dane są w latach

^{b)} Przerwa czasowa skrócona o 20% dla wariantów sprężarek 60 Hz.

(2000h./1600h., 4000h./3200h., 6000h./4800h., 8000h./6400h., 10000h./8000h., 12000h./9600h.)

^{c)} Cokolwiek nastąpi pierwsze: 4 lata/8 000 godzin.

^{d)} Cokolwiek nastąpi pierwsze: 8 lat/20 000 godzin.

23.2. Kontrola działania produktu

- Kontrola stanu agregatu — agregaty powinny działać normalnie, nie generując nadmiernych wibracji ani hałasu. W razie pojawienia się problemów należy je rozwiązać lub wezwać serwis.
- Wizualna inspekcja działania wentylatora — wentylatory powinny działać w trakcie działania agregatów. W razie pojawienia się problemów należy je rozwiązać lub wezwać serwis.
- Sprawdź, czy przewód zasilania i węże pneumatyczne nie są uszkodzone. Wymień uszkodzone części lub wezwij serwis.
- Sprawdź temperaturę otoczenia — powinna być niższa od dopuszczalnej wartości (40°C). Obniż temperaturę, jeśli jest za wysoka.
- Otwórz korek w naczyniu zbiorczym kondensatu, aby spuścić kondensat.

23.3. Sprawdź szczelność połączeń węży pneumatycznych i przeprowadź inspekcję sprzętu

Sprawdzanie szczelności

- Sprawdź szczelność przewodów wysokociśnieniowych podczas działania sprężarki — ciśnienie wytwarzane przez sprężarkę.
- Sprawdź szczelność wszystkich złączy i połączeń za pomocą specjalnego przyrządu lub wody z mydłem. W razie wykrycia nieszczelności dociśnij lub ponownie uszczelnij połączenia.

Inspekcja sprzętu

- Sprawdź agregat sprężarki pod kątem normalnego działania i poziomu hałasu.
- Test działania wentylatora — wentylatory powinny działać w określonych cyklach pracy sprężarki.
- Sprawdź działanie przełącznika temperaturowego (B2) — podgrzej go do temperatury powyżej 40°C (np. za pomocą opalarki — nie poddawaj wysokiej temperaturze elementów plastikowych znajdujących się w pobliżu, ponieważ mogą one ulec zniekształceniu). Wentylator E1 — sprężarka musi znajdować się pod napięciem.
- Sprawdź stan filtrów — filtry muszą być nieuszkodzone i czyste.
- Sprawdź stan pompy. Sprawdź, czy w skrzyni korbowej nie ma zanieczyszczeń i czy nie ma luzów na wale korbowym.
- Wymień wszystkie uszkodzone części w razie potrzeby.

23.4. Oględziny połączeń elektrycznych



Ryzyko porażenia prądem elektrycznym.

Połączenie elektryczne produktu należy sprawdzać po odłączeniu od zasilania sieciowego.

- Sprawdź działanie przełącznika głównego pod względem mechanicznym.
- Sprawdź, czy przewód zasilania i przewodniki są nieuszkodzone.
- Skontroluj wizualnie, czy kable są podłączone do skrzynki zaciskowej.
- Sprawdź wszystkie połączenia śrubowe zielono-żółtego przewodu uziemiającego PE.
- Kontrola połączeń elektrycznych osuszacza AD – patrz instrukcja serwisowa.

23.5. Spust kondensatu



Zmoczenie podłogi spowodowane wyciekami będzie stwarzało ryzyko poślizgnięcia.

Regularnie opróżniaj zbiornik kondensatu.



Ryzyko obrażeń.

Nie należy podłączać spustu kondensatu bezpośrednio do odpływu do ścieków! Mogą ucierpieć przewodnie.



Wyłączyć sprężarkę za każdym razem przed opróżnieniem zbiornika!



Ryzyko obrażeń.

Ostrożnie i powoli otwórz zawór spustowy. Szybkemu otwarciu zaworu spustowego towarzyszy głośny dźwięk i niekontrolowane wyrzucenie nagromadzonego kondensatu.

Kondensat jest automatycznie odprowadzany do naczynia zbiorczego kondensatu.

- Poziom płynu w naczyniu należy monitorować za pomocą oznaczeń (w zależności od pojemności naczynia). Kondensat należy spuszczać przynajmniej raz dziennie.

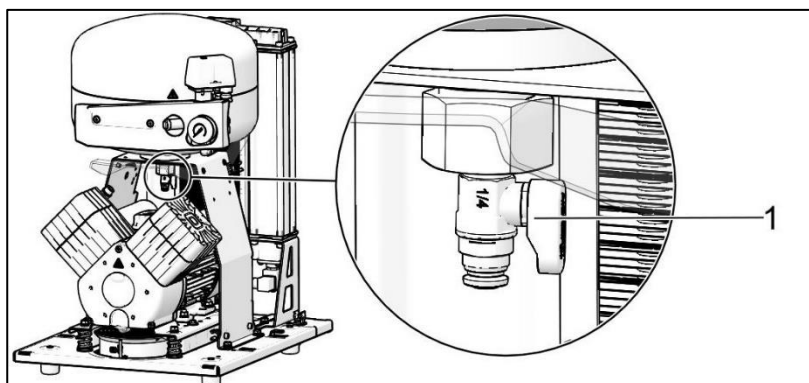


Rys. 18: Sprawdź poziom kondensatu w naczyniu

W razie potrzeby możliwe jest opróżnienie zbiornika powietrza za pomocą zaworu spustowego (1) znajdującego się w dolnej części zbiornika powietrza (Rys. 19).

Odłącz sprężarkę od zasilania sieciowego i zredukuj ciśnienie powietrza w urządzeniu do maksymalnie 1 bara, np. wypuszczając powietrze przez podłączony osprzęt.

Do opróżniania użyj węża. Wolny koniec umieść w odpowiednim zbiorniku, a następnie otwórz zawór, aby spuścić kondensat ze zbiornika.



Rys. 19: Spust kondensatu

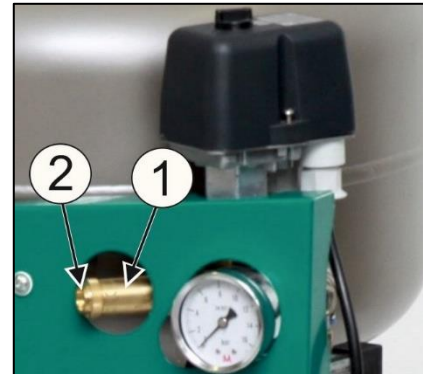


Przed przeprowadzeniem następujących kontroli należy:

- **Sprężarki bez obudowy** – zwolnij blokadę i otwórz drzwiczki obudowy.

23.6. Kontrola zaworu bezpieczeństwa

- Przekręć śrubę (2) zaworu bezpieczeństwa (1) kilka razy w lewo, aż zawór bezpieczeństwa uwolni powietrze.
- Poczekaj kilka sekund, gdy powietrze będzie uchodzić przez zawór bezpieczeństwa.
- Przekręć śrubę (2) do końca w prawo. Zawór powinien być teraz zamknięty.



Rys. 20: Kontrola zaworu bezpieczeństwa



Uszkodzenie zaworu bezpieczeństwa może spowodować wzrost ciśnienia do niebezpiecznego poziomu.

Nigdy nie należy używać zaworu bezpieczeństwa, aby obniżyć ciśnienie w zbiorniku powietrza. Może to spowodować uszkodzenie zaworu bezpieczeństwa. Zawór jest fabrycznie ustawiony na maksymalne dozwolone ciśnienie.

Nigdy nie reguluj zaworu bezpieczeństwa.



Wypuszczanie sprężonego powietrza stwarza ryzyko zranienia.

Podczas sprawdzania zaworu bezpieczeństwa należy mieć założone okulary ochronne.

23.7. Wymiana filtra wlotowego i wstępnego

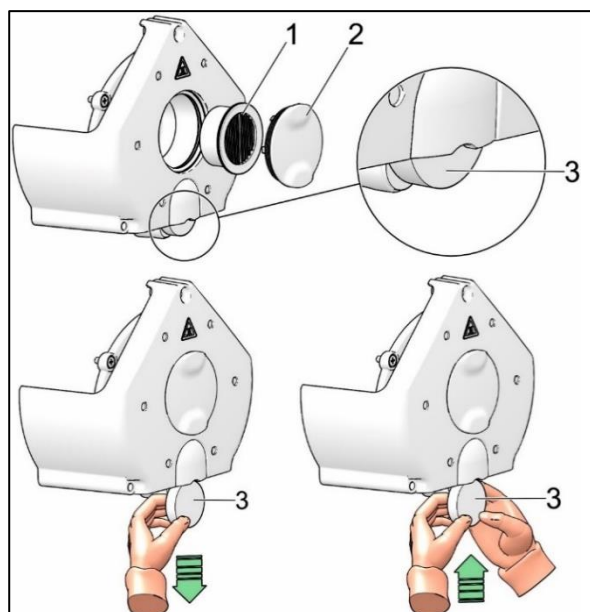
Filtr wlotowy (1) znajduje się pod pokrywą skrzyni korbowej agregatu.

Wymiana filtra wlotowego:

- Ręką wyjmij gumową zatyczkę (2).
- Wyjmij brudny filtr wlotowy (1).
- Włóż nowy filtr i z powrotem włóż zatyczkę gumową.

Wymiana filtra wstępnego:

- Ręką wyjmij filtr wstępny (3).
- Wymień filtr na nowy i włóż go na miejsce.



Rys. 21: Wymiana filtra wlotowego i wstępnego

23.8. Kontrola chłodnicy i wentylatora

Urządzenia, w szczególności wentylator sprężarki, wentylator chłodnicy i chłodnica, muszą być utrzymywane w czystości, aby efektywnie działały (Rys. 1). Usuń kurz z powierzchni żeber chłodnicy i łopatek wentylatora za pomocą odkurzacza lub sprężonego powietrza.

23.9. Kalibracja czujnika punktu rosy

Zaleca się kalibrację czujnika punktu rosy co 2 lata w sprężarkach wyposażonych w ten czujnik. Kalibrację przeprowadza producent (Vaisala) i należy ją zamówić online.

Proces zamawiania kalibracji czujnika:

- Wejdź na stronę internetową www.vaisala.com, przejdź do sekcji *Services (Usługi)* i wybierz *Calibration and repair services (Usługi kalibracji i naprawy)*.
- Następnie wprowadź typ czujnika (typ czujnika: **DMT143**) i wybierz typ kalibracji, po czym postępuj zgodnie z podanymi instrukcjami.

23.10. Procedura podłączania sprężarki odłączonej od obudowy



Przed każdą naprawą bieżącą lub pracą remontową sprężarkę należy wyłączyć i odłączyć od sieci elektrycznej (przez wyciągnięcie wtyczki z gniazdka).

Aby sprężarka (bez obudowy) działała prawidłowo, przewód zawsze musi być przymocowany do listwy zaciskowej. (Rys. 22 poz. B) Wówczas zastępuje on przełącznik na obudowie.



Jeśli do listwy zaciskowej nie zostanie podłączony przewód sprężarki (odłączony od obudowy), sprężarka nie będzie działać!

Jeżeli przewód łączący sprężarkę i obudowę zostanie odłączony (poprzez wyjęcie wtyczki sieciowej) i sprężarka zostanie wyjęta z obudowy, urządzenie nie będzie działać. Dlatego najpierw należy utworzyć połączenie z listwą zaciskową za pomocą przewodu (zastępując funkcje bezpiecznika). (Rys. 22)

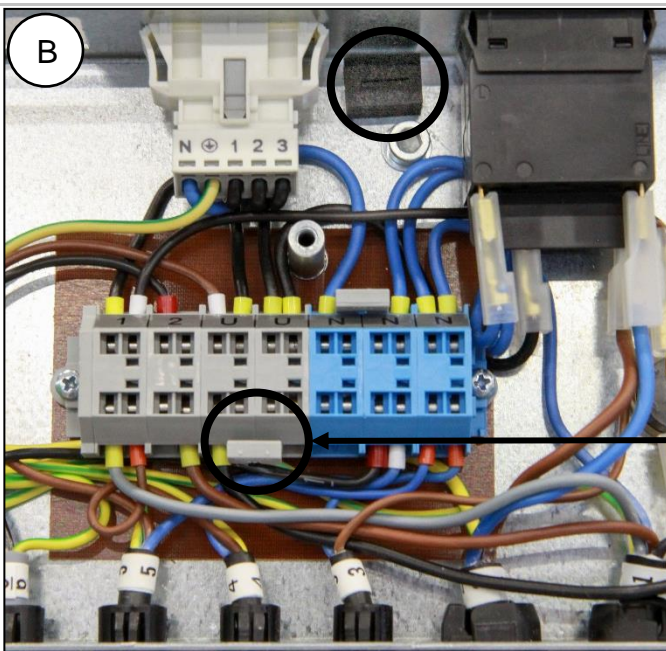
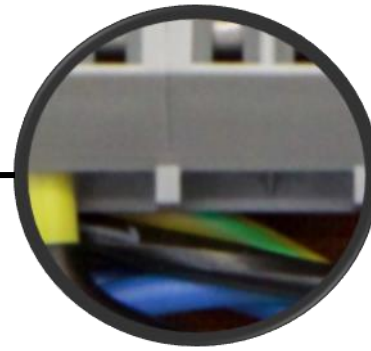
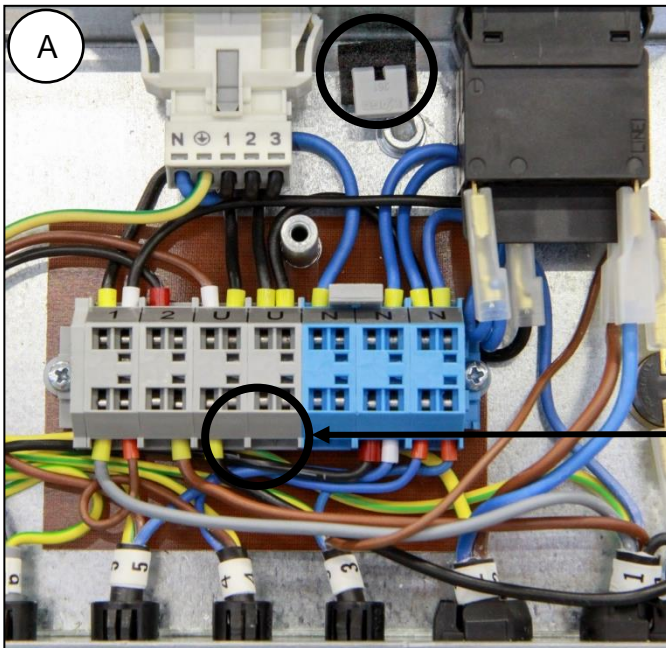
PROCES:

Instalacja przewodu (proces A-B):

- Odłącz urządzenie od sieci, wyjmując wtyczkę przewodu zasilania z gniazda.
- Zdejmij osłonę tablicy elektrycznej (na sprężarce).
- Przewód połączeniowy nie jest podłączony do listwy zaciskowej – A.
- Połącz przewód połączeniowy z listwą zaciskową – B.
- Z powrotem zamontuj osłonę tablicy elektrycznej.
- Podłącz urządzenie do sieci zasilającej.
- Włącz sprężarkę, obracając przełącznik na przełączniku ciśnienia.

Sprężarka – aby działała poza obudową, **konieczne** jest utworzenie połączenia elektrycznego za pomocą przewodu połączeniowego (Rys. 22 poz. B).

Rys. 22



230V

23.11. Procedura podłączania sprężarki do nowej obudowy



Przed każdą naprawą bieżącą lub pracą remontową sprężarkę należy wyłączyć i odłączyć od sieci elektrycznej (przez wyciągnięcie wtyczki z gniazdka).

Aby sprężarka w obudowie działała prawidłowo, nie można podłączać przewodu połączeniowego do listwy zaciskowej. (Rys. 22 poz. A) Przełącznik na obudowie włącza i wyłącza całe urządzenie, w tym także sprężarkę.



Jeśli do listwy zaciskowej sprężarki podłączonej do obudowy jest podłączony przewód połączeniowy, przełącznik na obudowie sprężarki nie będzie działać!

Aby podłączyć do nowej obudowy sprężarkę, która wcześniej działała samodzielnie (bez obudowy), należy zlikwidować połączenie z listwą zaciskową sprężarki, postępując wg procedury opisanej niżej. (Rys. 22). (Patrz także rozdz. 13.1 i 13.2).

PROCES:

Usuwanie przewodu połączeniowego (proces B-A):

- Odłącz urządzenie od sieci, wyjmując wtyczkę przewodu zasilania z gniazda.
- Zdejmij osłonę tablicy elektrycznej (na sprężarce).
- Przewód połączeniowy jest podłączony do listwy zaciskowej – B.
- Odłącz przewód połączeniowy od listwy zaciskowej – A.
- Z powrotem zamontuj osłonę tablicy elektrycznej.
- Włóż sprężarkę do obudowy.
- Połącz obudowę ze sprężarką, wkładając wtyczkę przewodu zasilania (1) do gniazda zasilania (2). (Rys. 11)
- Odłącz wyświetlacz osuszacza AD i podłącz wyświetlacz na przednich drzwiach obudowy (patrz instrukcja serwisowa).
- Podłącz urządzenie do sieci zasilającej
- Włącz sprężarkę, obracając przełącznik (2) na przełączniku ciśnienia (1) i przełącznik (5) na obudowie (Rys. 17).

Sprężarka z obudową – gdy sprężarka działa w obudowie, **nie może** być połączenia elektrycznego. (Rys. 22 poz. A)

Uwaga: **Jeśli sprężarka jest używana bez obudowy lub konieczne jest przeprowadzenie czynności konserwacyjnych, przewód połączeniowy odłączony od listwy zaciskowej należy przechowywać** w wyznaczonym miejscu obok tablicy elektrycznej.

23.12. Czyszczenie i dezynfekcja zewnętrznych powierzchni produktu

Zewnętrzne powierzchnie należy czyścić i dezynfekować neutralnymi środkami czyszczącymi.



Agresywne detergenty i środki dezynfekujące z alkoholem i chlorem mogą uszkodzić i odbarwić powierzchnie.

24. WYŁĄCZENIE NA DŁUGI CZAS

Jeśli sprężarka nie będzie używana przez długi czas, zaleca się spuszczenie kondensatu ze zbiornika powietrza i włączenie sprężarki na około 10 minut z pozostawionym otwartym zaworem spustowym. Następnie należy wyłączyć sprężarkę za pomocą przełącznika (2) na przełączniku ciśnieniowym (1) (Rys. 17), zamknąć zawór spustowy i odłączyć urządzenie od zasilania sieciowego.

25. UTYLIZACJA URZĄDZENIA

- Odłącz urządzenie od zasilania sieciowego.
- Wypuść powietrze ze zbiornika ciśnieniowego, otwierając zawór spustowy.
- Zutilizuj urządzenie zgodnie z wszystkimi obowiązującymi przepisami.
- Powierz zadanie posortowania i utylizacji wyspecjalizowanej firmie.
- Zużyte części nie mają negatywnego wpływu na środowisko.

ROZWIĄZYWANIE PROBLEMÓW**Ryzyko porażenia prądem elektrycznym.****Przed podjęciem jakichkolwiek czynności odłącz urządzenie od zasilania sieciowego (wyjmij wtyczkę z gniazda).****Praca z elementami pneumatycznymi pod ciśnieniem stwarza ryzyko zranienia.****Przed podjęciem jakichkolwiek czynności całkowicie wypuść powietrze ze zbiornika powietrza i układu wysokociśnieniowego.****Rozwiązywanie problemów może być wykonywane wyłącznie przez wykwalifikowanego pracownika serwisu.**

Usterka	Możliwa przyczyna	Rozwiązanie
Sprężarka nie chce się włączyć	Brak napięcia w przełączniku ciśnieniowym	Sprawdź napięcie w gnieździe
		Sprawdź wyłącznik obwodu — powinien być ustawiony w pozycji włączonej „I”
		Poluzowany przewód na listwie zaciskowej — naprawić
		Sprawdź przewód elektryczny — wymienić uszkodzony przewód
	Usterka uzwojenia silnika, uszkodzona osłona termiczna	Wymienić silnik lub uzwojenie
	Usterka kondensatora	Wymienić kondensator
Przełącznik na obudowie nie wyłącza sprężarki	Blokada tłoka lub innej obrotowej części	Wymienić uszkodzone części
	Przełącznik ciśnieniowy nie przełącza się	Sprawdzić działanie przełącznika ciśnieniowego
Sprężarka często się włącza	W obudowie znajduje się sprężarka, która wcześniej była używana osobno (do listwy zaciskowej jest podłączony przewód połączeniowy)	Odłącz przewód połączeniowy od listwy zaciskowej, zobacz rozdz. 0
	Wyciek powietrza z układu pneumatycznego	Sprawdź układ pneumatyczny – uszczelnij luźne połączenia
	Wyciek z zaworu zwrotnego (SV)	Wyczyść zawór zwrotny, wymień uszczelki, wymień zawór zwrotny
	Duża ilość skondensowanego płynu w zbiorniku ciśnieniowym	Spuścić skondensowany płyn
Niskie ciśnienie w zbiorniku powietrza (sprężarka cały czas działa)	Niska wydajność sprężarki	Sprawdzić czas napełniania zbiornika powietrza
	Wysokie zużycie powietrza przez dostarczony sprzęt	Zmniejsz zużycie powietrza Użyj sprężarki o większej pojemności
	Wyciek z układu pneumatycznego	Sprawdzić układ pneumatyczny – uszczelnij luźne połączenia
	Niska wydajność pompy	Oczyść lub wymień pompę
	Awaria pompy	Oczyść lub wymień pompę
Przedłużające się działanie sprężarki	Awaria osuszacza	Wymień osuszacz
	Wyciek powietrza z układu pneumatycznego	Sprawdź układ pneumatyczny – uszczelnij luźne połączenie

	Zużyty pierścień tłoka	Wymienić zużyty pierścień tłoka
	Brudny filtr wlotowy	Wymienić brudny filtr na nowy
	Nieprawidłowe działanie zaworu elektromagnetycznego	Naprawić lub wymienić wentylator lub cewkę
Sprężarka jest głośna (stukanie, metaliczne odgłosy)	Uszkodzone łożysko tłoka, trzon tłoka, łożysko silnika	Wymienić uszkodzone łożysko
	Luźny (pęknięty) element amortyzujący (sprężyna)	Wymienić uszkodzoną sprężynę
Osuszacz nie suszy (skondensowana woda w powietrzu)*	Uszkodzony wentylator chłodnicy	Wymienić wentylator Sprawdzić źródło zasilania
	Uszkodzony osuszacz	Wymień osuszacz
	Uszkodzony automatyczny spust kondensatu	Wyczyścić/wymienić
Obniżona skuteczność suszenia — wysoki ciśnieniowy punkt rosy (skondensowana woda w powietrzu)	Niskie ciśnienie pracy	Zmniejszyć zużycie powietrza, sprawdzić wylot źródła sprężonego powietrza, zlikwidować wycieki z układu rozprowadzającego
	Regeneracyjny zawór elektromagnetyczny nie działa	Sprawdzić cewkę, wymienić w razie potrzeby Sprawdzić stan zaworu — jeśli problem nie ustępuje, wyczyścić lub wymienić zawór
	Dysza regeneracji powietrza zatkana	Wyczyścić lub wymienić dyszę (patrz konserwacja produktu)
	Wentylator chłodnicy nie działa	Sprawdzić zasilanie wentylatora Wymienić uszkodzony wentylator
	Brudna chłodnica	Obejrzeć chłodnicę i wyczyścić w razie potrzeby
	Tłumik zatkany przy wylocie z zaworu regeneracyjnego	Sprawdzić tłumiki. Wyczyścić lub wymienić tłumik, jeśli stawia zbyt duży opór powietrzu lub jest silnie zabrudzony.
	Uszkodzony wentylator	Wymienić uszkodzony wentylator
	Uszkodzony tłumik	Wymienić tłumik
Osuszacz generuje duży hałas	Wyciek powietrza przez zawór nadmiarowy na wlocie osuszacza	Sprawdzić połączenie osuszacza z siecią i połączenia osuszacza, sprawdzić działanie osuszacza, sprawdzić ciśnienie robocze osuszacza i wymienić uszkodzone części.
	Wysokie ciśnienie robocze ze źródła powietrza	Sprawdzić ustawienie ciśnienia w źródle sprężonego powietrza
Wyciek powietrza przez zawór nadmiarowy na wlocie osuszacza	Zawór elektromagnetyczny na wlocie osuszacza nie działa	Sprawdzić działanie cewki, wymienić w razie potrzeby Sprawdzić stan zaworu — jeśli problem nie ustępuje, wyczyścić lub wymienić zawór
	Wysokie ciśnienie w sprężeniu spowodowane zatkaniem filtrów	Sprawdzić filtry wewnętrzne i akcesoria filtrów. Wyczyścić lub wymienić brudne filtry.

)* Po awarii osuszacza dokładnie wyczyścić wnętrze zbiornika powietrza i usunąć skondensowany płyn.

Po likwidacji awarii osuszacza i jego złożeniu osuszacz należy szybko zregenerować, najlepiej pod ciągłym ciśnieniem około 1 bara przez przynajmniej 1 godzinę. Następnie należy sprawdzić suchość sprężonego powietrza.



Sprawdź zawartość wilgoci w powietrzu wychodzącym ze zbiornika powietrza (patrz rozdział Dane techniczne), aby uniknąć uszkodzenia podłączonych urządzeń.

26. USŁUGA NAPRAWY

Naprawy gwarancyjne i pogwarancyjne powinny być wykonywane przez producenta, jego autoryzowanych przedstawicieli lub pracowników serwisu zatwierdzonych przez dostawcę.

Uwaga.

Producent zastrzega sobie prawo do wprowadzania zmian w urządzeniu bez powiadomienia. Żadne z wprowadzonych zmian nie będą miały wpływu na właściwości funkcjonalne urządzenia.

OBSAH

DÓLEŽITÉ INFORMÁCIE	295
1. ZHODA S POŽIADAVKAMI SMERNÍC EURÓPSKEJ ÚNIE	295
2. ÚČEL URČENIA	295
3. KONTRAINDIKÁCIE A VEDĽAJŠIE ÚČINKY	295
4. POUŽITÉ SYMBOLY	295
5. UPOZORNENIA	296
6. SKLADOVACIE A PREPRAVNÉ PODMIENKY	298
POPIS VÝROBKU.....	299
7. VARIANTY	299
8. DOPLNKOVÉ VYBAVENIE	299
9. FUNKCIA VÝROBKU	300
TECHNICKÉ ÚDAJE	305
INŠTALÁCIA.....	314
10. INŠTALAČNÉ PODMIENKY	314
11. ZOSTAVENIE KOMPRESORA	314
12. PNEUMATICKÉ PRIPOJENIE	316
13. ELEKTRICKÉ ZAPOJENIE	319
14. UMIESTNENIE KOMPRESORA DO SKRINKY	320
15. PRVÉ UVEDENIE DO PREVÁDZKY	322
16. PNEUMATICKÉ A ELEKTRICKÉ SCHÉMY	323
OBSLUHA.....	329
17. ZAPNUTIE KOMPRESORA	330
18. VYPNUTIE KOMPRESORA	330
AD SUŠIČ	331
19. PRINCÍP FUNKCIE	331
20. POUŽÍVATEĽSKÉ ROZHRAŇNIE / NASTAVENIA	332
21. ZÁKLADNÉ OBRAZOVKY	334
22. SIGNALIZÁCIA SERVISU A PORUCHOVÝCH STAVOV	336
ÚDRŽBA VÝROBKU	339
23. ÚDRŽBA VÝROBKU	339
24. ODSTAVENIE	347
25. LIKVIDÁCIA PRÍSTROJA.....	347
VYHLADÁVANIE PORÚCH A ICH ODSTRÁNENIE.....	348
26. INFORMÁCIE O OPRAVÁRENSKEJ SLUŽBE	350
PRÍLOHA	408
25. ZÁZNAM O INŠTALÁCII	413

DÓLEŽITÉ INFORMÁCIE**1. ZHODA S POŽIADAVKAMI SMERNÍC EURÓPSKEJ ÚNIE**

Tento výrobok je v zhode s požiadavkami Nariadenia (EÚ) o zdravotníckych pomôckach (MDR 2017/745) a je bezpečný na zamýšľané použitie pri dodržaní všetkých bezpečnostných pokynov.

2. ÚČEL URČENIA

Kompresor sa používa ako zdroj čistého bezolejového stlačeného vzduchu na napájanie aktívnych zdravotníckych pomôcok, kde stlačený vzduch vyhovuje svojimi parametrami a vlastnosťami.



Vzduch kompresora nie je vhodný na pripojenie k prístrojom na umelú ventiláciu pľúc.

Akkoľvek použitie výrobku nad rámec účelu určenia sa považuje za nesprávne použitie. Výrobca nemôže niesť zodpovednosť za akékoľvek škody alebo zranenia v dôsledku nesprávneho použitia.

3. KONTRAINDIKÁCIE A VEDĽAJŠIE ÚČINKY

Nie sú známe žiadne kontraindikácie ani vedľajšie účinky.

4. POUŽITÉ SYMBOLY

V návode na použitie, na výrobku a balení sa používajú nasledujúce značky a symboly:



Všeobecná výstraha



Výstraha - nebezpečenstvo zásahu elektrickým prúdom



Výstraha - kompresor je ovládaný automaticky



Výstraha - horúci povrch



Všeobecné upozornenie



Pozri návod na použitie



Dodržiavaj návod na použitie



CE – označenie




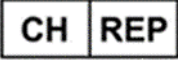


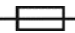







Zdravotnícka pomôcka



Sériové číslo



Artiklové číslo

	Unikátny identifikátor pomôcky
	Švajčiarsky splnomocnený zástupca
	Švajčiarsky dovozca
	Pripojenie ochranného vodiča
	Poistka
	Manipulačná značka na obale – krehké
	Manipulačná značka na obale – týmto smerom nahor
	Manipulačná značka na obale – chrániť pred dažďom
	Manipulačná značka na obale – teplotné medze
	Manipulačná značka na obale – obmedzené stohovanie
	Značka na obale – recyklovateľný materiál
	Výrobca

5. UPOZORNENIA

Výrobok je navrhnutý a vyrobený tak, aby pri stanovenom spôsobe používania bol bezpečný pre používateľa aj pre okolie. Preto je potrebné riadiť sa nasledujúcimi upozoreniami.

5.1. Všeobecné upozornenia

NÁVOD NA POUŽITIE SI PRED POUŽITÍM VÝROBKU STAROSTLIVO PREČÍTAJTE A USCHOVAJTE NA ĎALŠIE POUŽITIE!

- Návod na použitie slúži na správnu inštaláciu, obsluhu a údržbu výrobku. Presné rešpektovanie tohto návodu je predpokladom pre správne používanie v zmysle zamýšľaného použitia a správnu obsluhu výrobku.
- Originálny obal uschovať pre prípadné vrátenie zariadenia. Originálny obal zaručuje optimálnu ochranu výrobku počas prepravy. Ak bude počas záručnej lehoty potrebné výrobok vrátiť, výrobca neručí za škody spôsobené nesprávnym zabalením výrobku.
- Na škody, ktoré vznikli používaním iného príslušenstva ako predpisuje alebo odporúča výrobca, sa záruka nevzťahuje.
- Výrobca preberá zodpovednosť za bezpečnosť, spoľahlivosť a funkciu výrobku len vtedy, ak:
 - inštaláciu, nové nastavenia, zmeny, rozšírenia a opravy vykonáva výrobca alebo organizácia

poverená výrobcom.

- sa výrobok používa v súlade s návodom na použitie.
- Návod na použitie zodpovedá pri tlači vyhotoveniu výrobku a stavu podľa príslušných bezpečnostno-technických noriem. Výrobca si vyhradzuje všetky práva na ochranu pre uvedené zapojenia, metódy a názvy.
- Preklad návodu na použitie je vykonaný v súlade s najlepšimi znalosťami. V prípade nejasností platí slovenská verzia textu.
- Návod na použitie je pôvodný, preklad je vykonaný v súlade s najlepšimi znalosťami.

5.2. Všeobecné bezpečnostné upozornenia

Výrobca navrhol a vyrobil výrobok tak, aby boli minimalizované akékoľvek riziká pri správnom používaní podľa zamýšľaného použitia. Výrobca považuje za svoju povinnosť popísať nasledujúce všeobecné bezpečnostné opatrenia.

- Pri prevádzke výrobku treba rešpektovať zákony a regionálne predpisy platné v mieste používania. V záujme bezpečného priebehu práce sú za dodržiavanie predpisov zodpovední prevádzkovateľ a používateľ.
- Bezpečnosť obsluhujúceho personálu a bezporuchová prevádzka výrobku sú zaručené len pri používaní originálnych častí výrobku. Používať sa môže len príslušenstvo a náhradné diely uvedené v technickej dokumentácii alebo vyslovene povolené výrobcom.
- Pred každým použitím výrobku je potrebné, aby sa používateľ presvedčil o jeho riadnej funkcii a bezpečnom stave.
- Používateľ musí byť oboznámený s obsluhou prístroja.
- Výrobok nie je určený pre prevádzku v priestoroch, v ktorých hrozí nebezpečenstvo výbuchu.
- Ak v priamej súvislosti s prevádzkou prístroja nastane nežiaduca udalosť, používateľ je povinný o tejto udalosti neodkladne informovať svojho dodávateľa.
- V prípade závažnej nehody spôsobenej pomôckou by mal túto udalosť používateľ ohlásiť výrobcovi a príslušnému orgánu v členskom štáte, v ktorom má používateľ bydlisko.

5.3. Bezpečnostné upozornenia k ochrane pred elektrickým prúdom

- Zariadenie môže byť pripojené iba na riadne namontovanú zásuvku s ochranným pripojením.
- Pred pripojením výrobku sa musí skontrolovať, či sú sieťové napätie a sieťový kmitočet uvedené na výrobku v súlade s hodnotami napájacej siete.
- Pred uvedením výrobku do prevádzky treba skontrolovať prípadné poškodenia pripájaných vzduchových a elektrických rozvodov. Poškodené pneumatiké a elektrické vedenia sa musia ihneď vymeniť.
- Pri nebezpečných situáciách alebo technických poruchách je potrebné výrobok ihneď odpojiť zo siete (vytiahnuť sieťovú vidlicu).
- Pri všetkých prácach v súvislosti s opravami a údržbou musia byť:
 - sieťová vidlica vytiahnutá zo zásuvky
 - vypustený tlak z tlakovej nádrže a tlakové potrubia odvzdušnené
- Výrobok môže inštalovať len kvalifikovaný odborník.

6. SKLADOVACIE A PREPRAVNÉ PODMIENKY

Kompresor sa od výrobcu zasiela v prepravnom obale. Tým je výrobok zabezpečený pred poškodením pri preprave.



Nebezpečenstvo poškodenia pneumatických častí.

Kompresor sa smie prepravovať len bez tlaku. Pred prepravou nevyhnutne vypustiť tlak vzduchu z tlakovej nádrže a tlakových hadíc, vypustiť kondenzát zo vzdušníka a odlučovača kondenzátu na sušiči.



Originálny obal uschovať pre prípadné vrátenie zariadenia Pri preprave používať podľa možnosti vždy originálny obal kompresora pre optimálnu ochranu výrobku. Ak bude počas záručnej lehoty potrebné výrobok vrátiť, výrobca neručí za škody spôsobené nesprávnym zabalením výrobku.



Kompresor prepravovať nastojato, vždy zaistený prepravným fixovaním.



Počas prepravy a skladovania chrániť kompresor pred vysokou vlhkosťou, nečistotou a extrémnymi teplotami. Neskladovať v priestoroch spolu s prchavými chemickými látkami.



Ak nie je uschovanie originálneho obalu možné, zlikvidujte ho šetrne k životnému prostrediu. Prepravný kartón sa môže vyhodiť so starým papierom.



Zariadenie je zakázané skladovať a prepravovať mimo definovaných podmienok, pozri nižšie.

6.1. Podmienky okolia

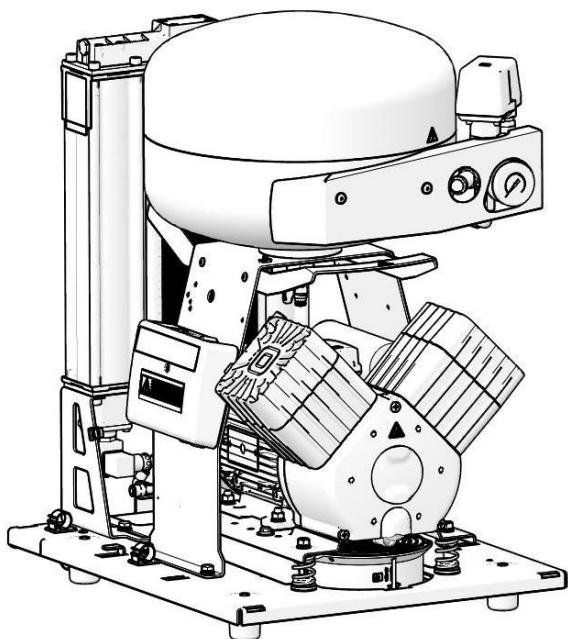
Výrobky je možné skladovať v priestoroch a dopravných prostriedkoch bez stôp prchavých chemických látok pri nasledujúcich klimatických podmienkach:

Teplota	–25°C až +55°C, do 24h až +70°C
Relatívna vlhkosť	max. 90% (bez kondenzácie)

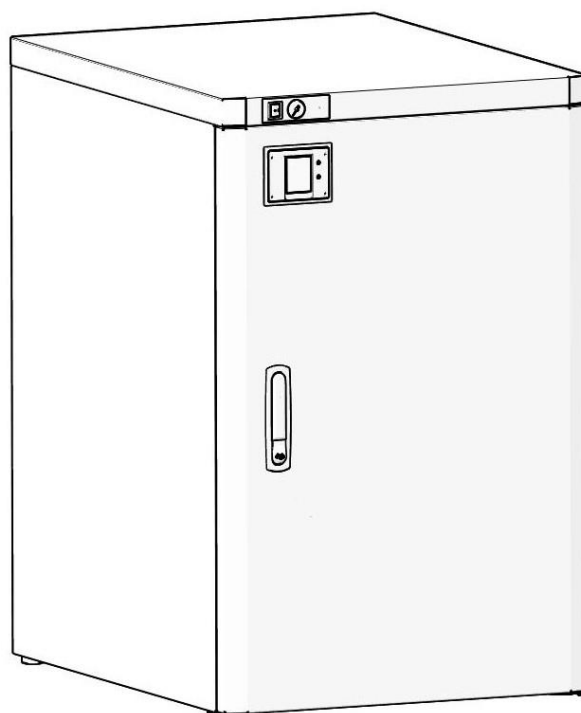
POPIS VÝROBKU**7. VARIANTY**

Kompresor sa vyrába podľa účelu v týchto variantoch:

DK50 2V/M	kompresor na základni so sušičom vzduchu
DK50 2V S/M	kompresor v skrinke so sušičom vzduchu



DK50 2V/M



DK50 2V S/M

8. DOPLNKOVÉ VYBAVENIE

Doplňkové vybavenie nie je predmetom základnej dodávky, je potrebné objednať ho osobitne.

Sada filtrov výstupného stlačeného vzduchu

Kompresor môže byť vybavený sadou filtrov podľa požiadavky. Filtračná sada môže byť doplnená o regulátor tlaku vzduchu.



V prípade požiadavky na iný stupeň filtrácie vzduchu je treba túto požiadavku dohodnúť s dodávateľom a špecifikovať v objednávke.

Typ	Použitie	Stupeň filtrácie / μm /	Artiklové číslo
FS 30F	DK50 2V/M	1	na objednávku
FS 30M		1+0,1	
FS 30S		1+0,01	
FS 30A		1+0,01+A**	

**) A – submikrofilter s aktívnym uhlím

Sada regulátora k filtračným sadám

Kompresor môže byť vybavený sadou regulátora tlaku výstupného stlačeného vzduchu podľa požiadavky. Regulátor je potrebné si vybrať podľa použitia k filtračnej sade, alebo samostatne. Regulátor zabezpečí konštantný tlak na výstupe z kompresora.

Typ	Použitie	Artiklové číslo
Regulátor komplet (k filtračnej sade)	DK50 2V/M	na objednávku
REG11 (samostatný)		447000001-077

Držiak k filtračným sadám



Ku každej sade je potrebné doobjednať vhodný držiak.

Typ	Použitie	Artiklové číslo
Držiak na kompresor	DK50 2V/M	na objednávku

Zásuvka pre ekvipotenciálne pospojovanie

Zásuvka umožňuje ochranné pospojovanie.

Typ	Použitie	Názov	Artiklové číslo
POAG-KBT6-EC	DK50 2VS/M	Zásuvka	033400075-000
FLEXI-S/POAG-HK6		Vodič (1 m)	034110083-000

9. FUNKCIA VÝROBKU

9.1. Kompresor s adsorpčným sušičom

(Obr. 1) Agregát kompresora (1) nasáva atmosférický vzduch cez vstupný filter (8) a stlačený ho dodáva cez prepojovaciú hadicu do adsorpčného sušiča (38). Po vstupe do modulu sušiča sa vzduch najprv ochladí v stavanom chladiči (26) a ďalej cez odlučovač kondenzátu (32) vstupuje do aktívnej komory (27) s adsorbentom, kde je vzduch vysušený. Časť vzduchu smeruje do druhej, regenerovanej komory, kde tento vzduch odoberá vlhkosť z adsorbentu a je uvoľňovaný do okolia. Činnosť komôr sa cyklicky prepína. Vysušený vzduch prechádza cez spätný ventil (3) do vzdušníka (2). Účinnosť sušenia vzduchu (tlakový rosný bod) môže byť zisťovaná pomocou snímaču rosného bodu umiestneného na vzdušníku.

Tlakovú nádobu nie je potrebné odkalovať.

9.2. Skrinka kompresora

(Obr. 3) Skrinka zabezpečuje kompaktné prekrytie kompresora, čím účinne tlmí hluk, pričom zabezpečuje dostatočnú výmenu chladiaceho vzduchu. Svojím dizajnom je vhodná na umiestnenie v miestnostiach, kde je požadovaná znížená hladina hluku. Ventilátor (9) pod agregátom kompresora zabezpečuje chladenie kompresora, je v činnosti súčasne s motorom kompresora alebo po zapnutí teplotného spínača pri teplote vyššej ako 40 °C. Po vychladení priestoru v skrinke pod cca 32 °C sa ventilátory automaticky vypnú.

Na prednom paneli skrinky je umiestnený displej sušiča (34).



Nebezpečenstvo prehriatia kompresora.

Je zakázané vytvárať prekážky na vstupe chladiaceho vzduchu do skrinky (po obvode spodnej časti skrinky) a na výstupe teplého vzduchu v hornej zadnej časti skrinky.

V prípade umiestnenia kompresora na mäkkú podlahu, napr. koberec, je nutné vytvoriť medzeru medzi základňou a podlahou alebo skrinkou a podlahou, napr. podloženie pätiiek tvrdými podložkami z dôvodu zabezpečenia dostatočného chladenia kompresora.

Popis k obrázkom 1 – 3:

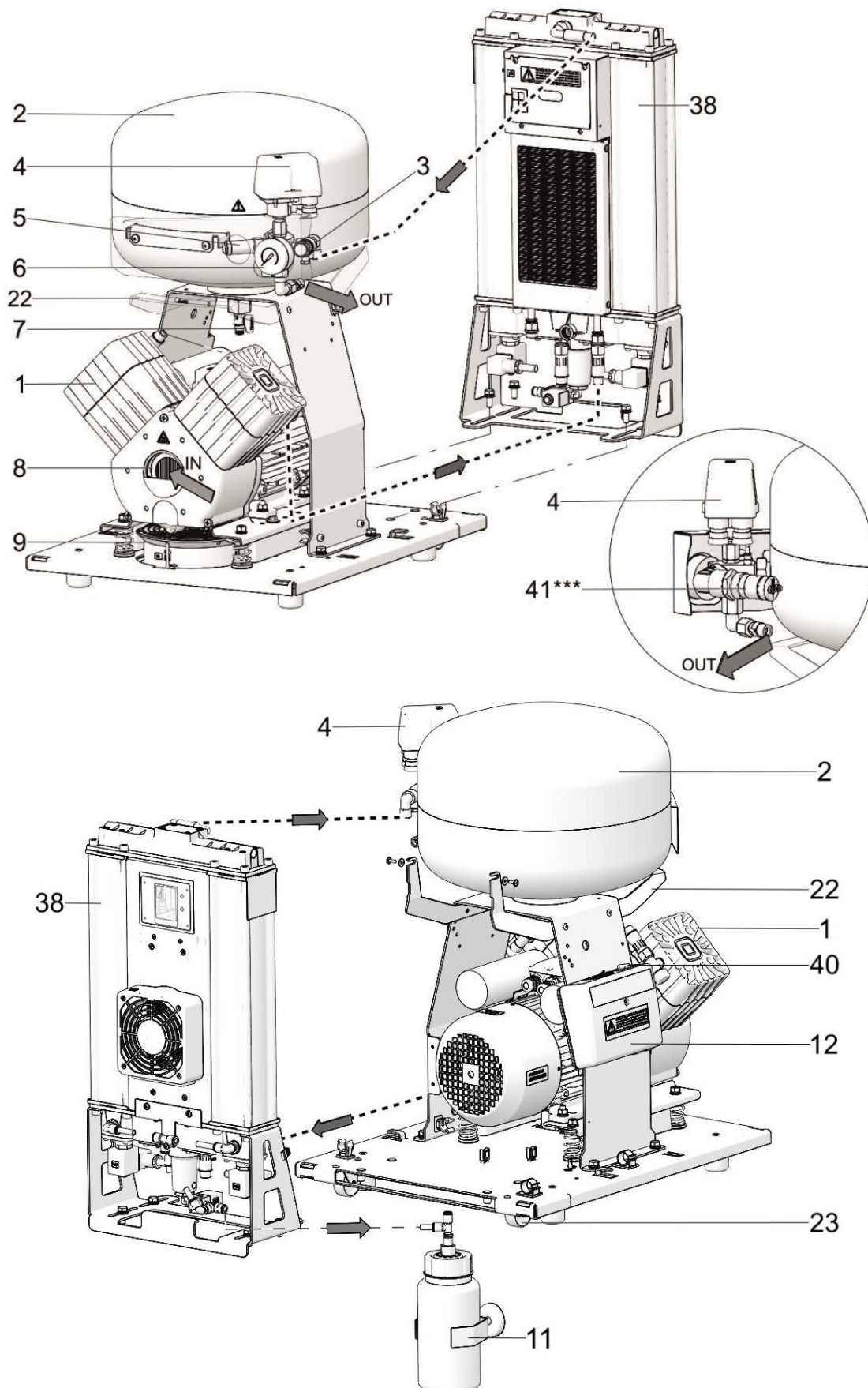
1	Agregát kompresora	22	Rukoväť
2	Vzdušník	23	Kolieska
3	Spätný ventil	24	Hadička manometra
4	Tlakový spínač	25	Výstupný modul
5	Poistný ventil	26	Chladiaci modul
6	Tlakomer	27	Komora sušiča
7	Vypúšťací ventil	28	Vstupný ventilový modul
8	Vstupný filter	29	Vstup stlačeného vzduchu
9	Ventilátor kompresora	30	Regeneračné solenoidné ventily
10	Nádoba na zber kondenzátu	31	Ventilátor sušiča
11	Magnetický držiak	32	Odlučovač kondenzátu
12	Elektropanel	33	Solenoidný ventil odvodu kondenzátu
13	Ventilátor skrinky	34	*Displej
14	Kolík dverový	35	Výstup vzduchu
15	Rektifikačná skrutka	36	**Priechodka
16	Zámok	37	Vývod z odlučovača kondenzátu a regeneračných ventilov
17	Spojovacia výstuha	38	Adsorpčný sušič
18	Doraz stenový	39	Konektor so šnúrou
19	Vypínač	40	Istiaci vypínač
20	Tlakomer skrinky	41	***Snímač rosného bodu
21	Dverový pánt		

* Pozícia 34 platí pre prevedenie bez skrinky DK50 2V/M, pre prevedenie so skrinkou – DK50 2VS/M sa na pozícii 34 nachádza krytka.

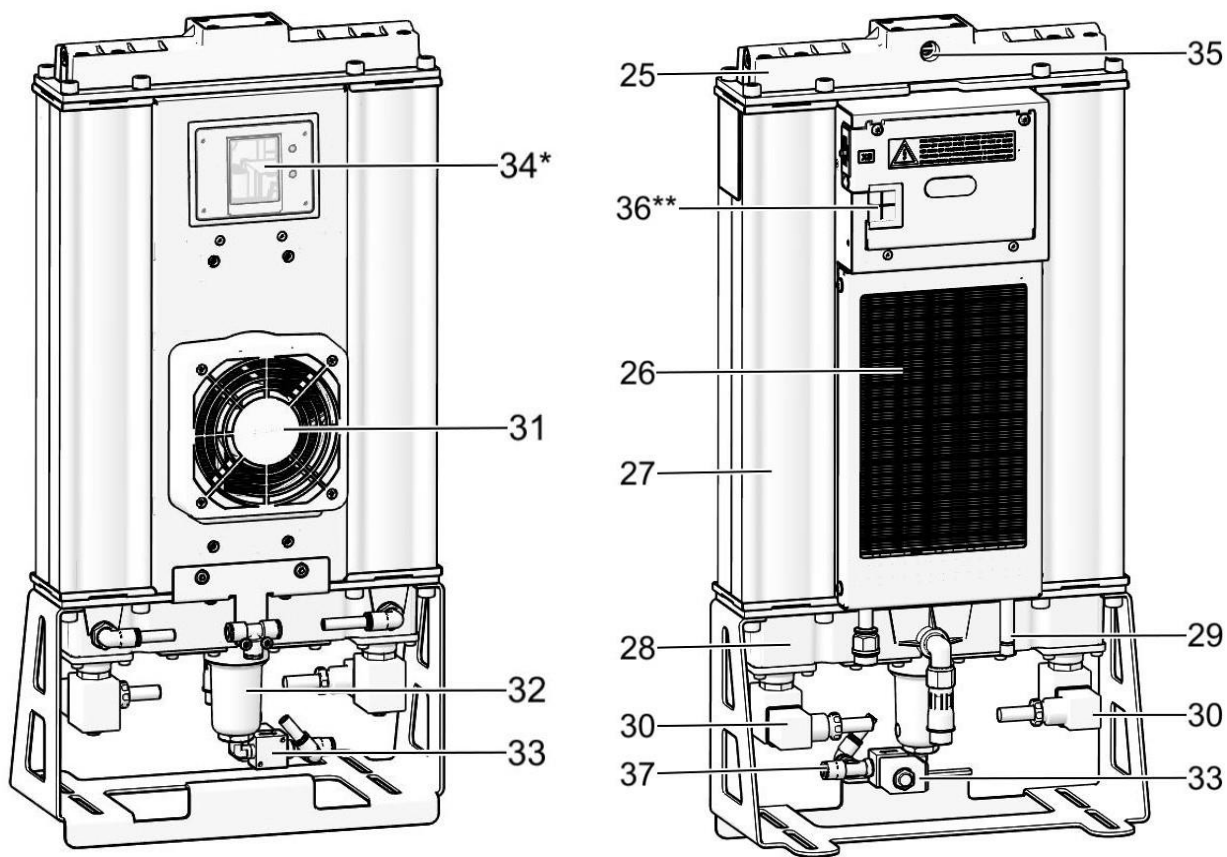
** V prípade skrinkovej verzie je cez univerzálnu priechodku vyvedený kábel na pripojenie displeja (36) umiestneného v prednom paneli skrinky.

*** Platí pre prevedenie so snímačom rosného bodu.

Obr. 1: DK50 2V/M – Kompresor s adsorpčním sušičem vzduchu

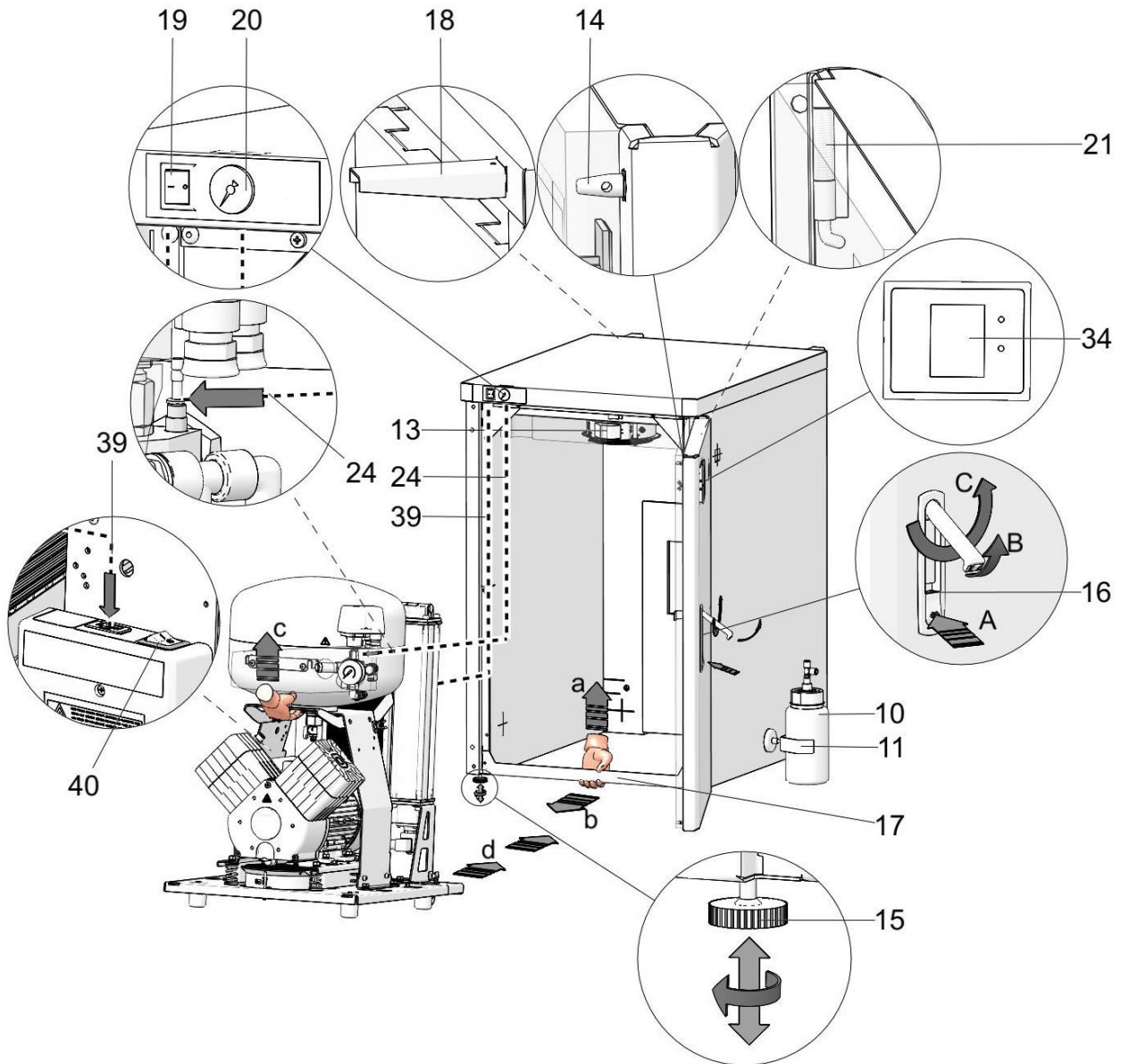


Obr. 2: – Adsorpčný sušič

**ADM140/25**

- * Pozícia 34 platí pre prevedenie bez skrinky DK50 2V/M, pre prevedenie so skrinkou – DK50 2VS/M sa na pozícií 34 nachádza krytka.
- ** V prípade skrinkovej verzie je cez univerzálnu priechodku vyvedený kábel na pripojenie displeja (36) umiestneného v prednom paneli skrinky.

Obr. 3: – Skrinka



TECHNICKÉ ÚDAJE

Kompresory sú konštruované pre prevádzku v suchých, vetraných a bezprašných vnútorných priestoroch pri nasledujúcich klimatických podmienkach:

Teplota +5°C až +30°C

Relatívna vlhkosť max. 50%

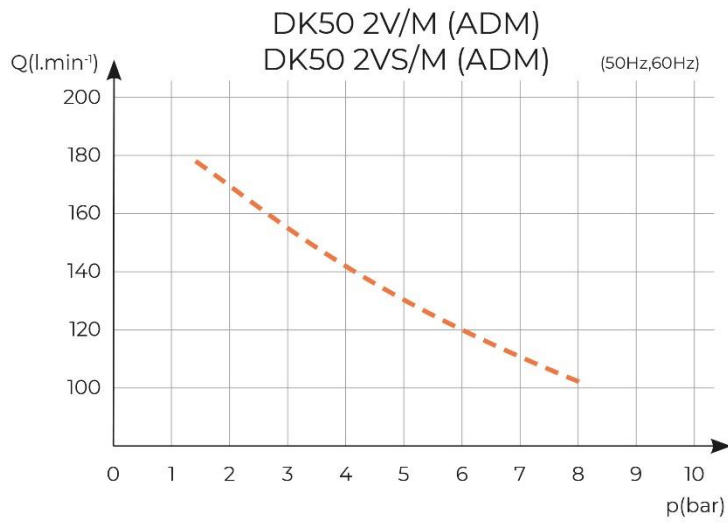
Pracovný tlak 6 – 8 bar		DK50 2V/M	DK50 2V S/M
Menovité napätie, Frekvencia ^{a)}	V, Hz	230, 50	230, 50
Výkonnosť pri pretlaku 6 bar (FAD)	l/min	120	120
Pracovný tlak ^{b)}	bar	6,0 – 8,0	6,0 – 8,0
Menovitý prúd	A	8,8	9,0
Výkon motora	kW	1,2	1,2
Objem vzdušníka	l	25	25
Kvalita vzduchu – filtrácia	µm	-	-
Povolený prevádzkový tlak poistného ventilu	bar	11,0	11,0
Hladina hluku pri pretlaku 5 bar (L _{pA})	dB	≤69,0	≤55,0
Režim prevádzky	%	S1-100	S1-100
Stupeň sušenia - PDP pri 7 bar	°C	≤ -20	≤ -20
Alarm nízkeho tlaku sušiča	bar	< 3	< 3
Alarm vysokého tlaku sušiča	bar	> 9	> 9
Alarm vysokého rosného bodu sušiča	°C	> -20	> -20
Čas naplnenia vzdušníka z 0 do 7 bar	s	90	90
Rozmery (netto) š x h x v	mm	460x620x720	560x720x880
Hmotnosť netto ^{c)}	kg	69	110
Klasifikácia podľa EN 60 601-1	Trieda I.		

^{a)} Prevedenie kompresora uviesť pri objednávaní

^{b)} Iný rozsah tlaku konzultovať s dodávateľom

^{c)} Hodnota hmotnosti je informatívny údaj, platí len pre výrobok bez doplnkového vybavenia

Závislosť výkonnosti kompresora od pracovného tlaku



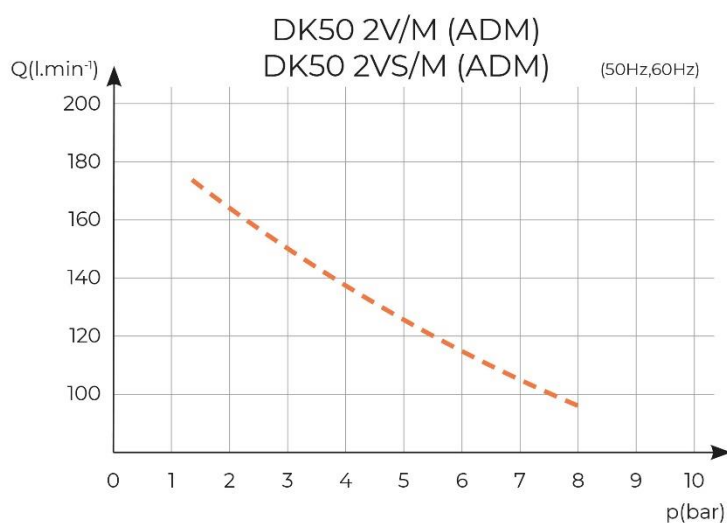
Pracovný tlak 6 – 8 bar		DK50 2V/M	DK50 2V S/M
Menovité napätie, Frekvencia ^{a)}	V, Hz	230, 50	230, 50
Výkonnosť pri pretlaku 6 bar (FAD)	l/min	115	115
Pracovný tlak ^{b)}	bar	6,0 – 8,0	6,0 – 8,0
Menovitý prúd	A	8,8	9,0
Výkon motora	kW	1,2	1,2
Objem vzdušníka	l	25	25
Kvalita vzduchu – filtrácia	µm	-	-
Povolený prevádzkový tlak poistného ventilu	bar	11,0	11,0
Hladina hluku pri pretlaku 5 bar (L _{pA})	dB	≤69,0	≤55,0
Režim prevádzky	%	S1-100	S1-100
Stupeň sušenia - PDP pri 7 bar	°C	≤ -40	≤ -40
Alarm nízkeho tlaku sušiča	bar	< 3	< 3
Alarm vysokého tlaku sušiča	bar	> 9	> 9
Alarm vysokého rosného bodu sušiča	°C	> -40	> -40
Čas naplnenia vzdušníka z 0 do 7 bar	s	100	100
Rozmery (netto) š x h x v	mm	460x620x720	560x720x880
Hmotnosť netto ^{c)}	kg	69	110
Klasifikácia podľa EN 60 601-1	Trieda I.		

^{a)} Prevedenie kompresora uviesť pri objednávaní

^{b)} Iný rozsah tlaku konzultovať s dodávateľom

^{c)} Hodnota hmotnosti je informatívny údaj, platí len pre výrobok bez doplnkového vybavenia

Závislosť výkonnosti kompresora od pracovného tlaku



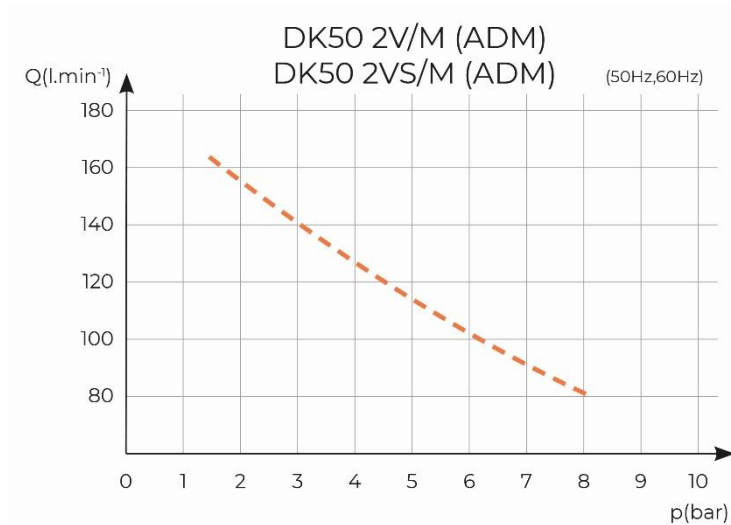
Pracovný tlak 6 – 8 bar		DK50 2V/M	DK50 2V S/M
Menovité napätie, Frekvencia ^{a)}	V, Hz	230, 50	230, 50
Výkonnosť pri pretlaku 6 bar (FAD)	l/min	100	100
Pracovný tlak ^{b)}	bar	6,0 – 8,0	6,0 – 8,0
Menovitý prúd	A	8,8	9,0
Výkon motora	kW	1,2	1,2
Objem vzdušníka	l	25	25
Kvalita vzduchu – filtrácia	µm	-	-
Povolený prevádzkový tlak poistného ventilu	bar	11,0	11,0
Hladina hluku pri pretlaku 5 bar (L _{pA})	dB	≤69,0	≤55,0
Režim prevádzky	%	S1-100	S1-100
Stupeň sušenia - PDP pri 7 bar	°C	≤ -70	≤ -70
Alarm nízkeho tlaku sušiča	bar	< 3	< 3
Alarm vysokého tlaku sušiča	bar	> 9	> 9
Alarm vysokého rosného bodu sušiča	°C	-68	-68
Čas naplnenia vzdušníka z 0 do 7 bar	s	110	110
Rozmery (netto) š x h x v	mm	460x620x720	560x720x880
Hmotnosť netto ^{c)}	kg	69	110
Klasifikácia podľa EN 60 601-1	Trieda I.		

^{a)} Prevedenie kompresora uviesť pri objednávaní

^{b)} Iný rozsah tlaku konzultovať s dodávateľom

^{c)} Hodnota hmotnosti je informatívny údaj, platí len pre výrobok bez doplnkového vybavenia

Závislosť výkonnosti kompresora od pracovného tlaku



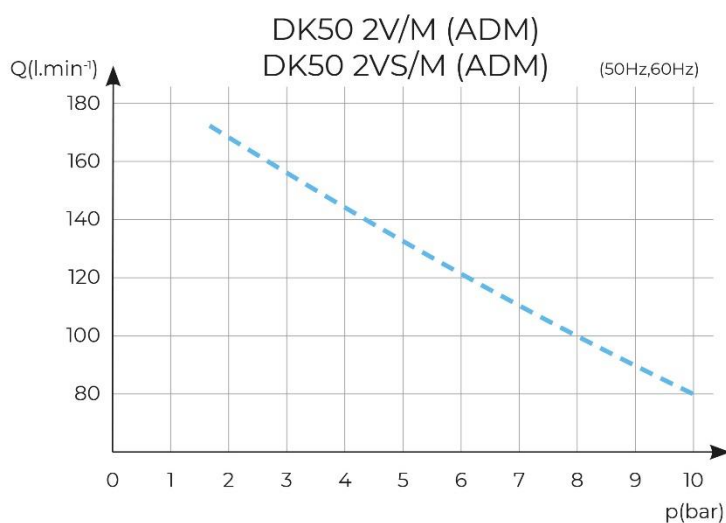
Pracovný tlak 8 – 10 bar		DK50 2V/M	DK50 2V S/M
Menovité napätie, Frekvencia ^{a)}	V, Hz	230, 50	230, 50
Výkonnosť pri pretlaku 8 bar (FAD)	l/min	100	100
Pracovný tlak ^{b)}	bar	8,0 – 10,0	8,0 – 10,0
Menovitý prúd	A	8,6	8,8
Výkon motora	kW	1,2	1,2
Objem vzdušníka	l	25	25
Kvalita vzduchu – filtrácia	µm	-	-
Povolený prevádzkový tlak poistného ventilu	bar	11,0	11,0
Hladina hluku pri pretlaku 5 bar (L _{pA})	dB	≤69,0	≤55,0
Režim prevádzky	%	S1-100	S1-100
Stupeň sušenia - PDP pri 7 bar	°C	≤ -20	≤ -20
Alarm nízkeho tlaku sušiča	bar	< 3	< 3
Alarm vysokého tlaku sušiča	bar	> 11	> 11
Alarm vysokého rosného bodu sušiča	°C	> -20	> -20
Čas naplnenia vzdušníka z 0 do 7 bar	s	115	115
Rozmery (netto) š x h x v	mm	460x620x720	560x720x880
Hmotnosť netto ^{c)}	kg	71	112
Klasifikácia podľa EN 60 601-1	Trieda I.		

^{a)} Prevedenie kompresora uviesť pri objednávaní

^{b)} Iný rozsah tlaku konzultovať s dodávateľom

^{c)} Hodnota hmotnosti je informatívny údaj, platí len pre výrobok bez doplnkového vybavenia

Závislosť výkonnosti kompresora od pracovného tlaku



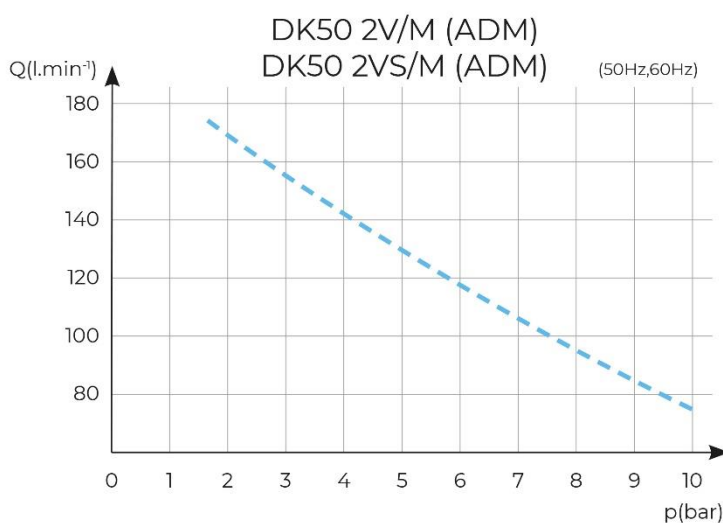
Pracovný tlak 8 – 10 bar		DK50 2V/M	DK50 2V S/M
Menovité napätie, Frekvencia ^{a)}	V, Hz	230, 50	230, 50
Výkonnosť pri pretlaku 8 bar (FAD)	l/min	95	95
Pracovný tlak ^{b)}	bar	8,0 – 10,0	8,0 – 10,0
Menovitý prúd	A	8,6	8,8
Výkon motora	kW	1,2	1,2
Objem vzdušníka	l	25	25
Kvalita vzduchu – filtrácia	µm	-	-
Povolený prevádzkový tlak poistného ventilu	bar	11,0	11,0
Hladina hluku pri pretlaku 5 bar (L _{pA})	dB	≤69,0	≤55,0
Režim prevádzky	%	S1-100	S1-100
Stupeň sušenia - PDP pri 7 bar	°C	≤ -40	≤ -40
Alarm nízkeho tlaku sušiča	bar	< 3	< 3
Alarm vysokého tlaku sušiča	bar	> 11	> 11
Alarm vysokého rosného bodu sušiča	°C	> -40	> -40
Čas naplnenia vzdušníka z 0 do 7 bar	s	120	120
Rozmery (netto) š x h x v	mm	460x620x720	560x720x880
Hmotnosť netto ^{c)}	kg	71	112
Klasifikácia podľa EN 60 601-1	Trieda I.		

^{a)} Prevedenie kompresora uviesť pri objednávaní

^{b)} Iný rozsah tlaku konzultovať s dodávateľom

^{c)} Hodnota hmotnosti je informatívny údaj, platí len pre výrobok bez doplnkového vybavenia

Závislosť výkonnosti kompresora od pracovného tlaku



Korekcia FAD výkonnosti podľa nadmorskej výšky

Výkonnosť udávaná vo forme FAD („Free Air Delivery“) sa vzťahuje na podmienky:

Nadmorská výška	0 m.n.m.	Teplota	20°C
Atmosférický tlak	101325 Pa	Relatívna vlhkosť	0%

Pre prepočet FAD výkonnosti kompresora v závislosti od nadmorskej výšky je potrebné aplikovať korekčný faktor podľa nasledujúcej tabuľky:

Nadm. výška [m.n.m.]	0 -1500	1501 - 2500	2501 - 3500	3501 - 4500
Korekčný faktor FAD	1	0,8	0,71	0,60

Vyhlásenie k elektromagnetickej kompatibilite

Prístroj vyžaduje špeciálnu obozretnosť týkajúcu sa elektromagnetickej kompatibility (EMC) a vyžaduje inštaláciu a uvedenie do prevádzky v súlade s EMC informáciami uvedenými nižšie.

Smernice a vyhlásenie výrobcu – elektromagnetické vyžarovanie		
Podľa IEC 60601-1-2:2014/AMD1:2020 - Zdravotnícke elektrické prístroje. Časť 1-2: Všeobecné požiadavky na základnú bezpečnosť a nevyhnutné prevádzkové vlastnosti. Pridružená norma: Elektromagnetické rušenia		
Prístroj je určený pre použitie v elektromagnetickom prostredí špecifikovanom nižšie. Zákazník alebo užívateľ by mali zaistiť, aby bol prístroj používaný v takom prostredí.		
Test vyžarovania	Zhoda	Elektromagnetické prostredie - návod
RF vyžarovanie CISPR 11	Skupina 1	Prístroj využíva RF energiu len pre svoje vnútorné funkcie. Preto sú RF emisie veľmi nízke a pravdepodobne nespôsobia rušenie okolitých elektronických zariadení.
RF vyžarovanie CISPR 11	Trieda B	Prístroj je vhodný pre použitie vo všetkých zariadeniach vrátane domácich prevádzok a zariadení priamo napojených na verejnú sieť nízkeho napätia, napájajúcu obytné budovy.
Harmonické vyžarovanie IEC 61000-3-2	Trieda A	
Kolísanie napätia / blikanie IEC 61000-3-3	Prístroj pravdepodobne nebude spôsobovať blikanie, pretože prúd po spustení je približne konštantný.	

Smernice a vyhlásenie výrobcu - elektromagnetická odolnosť

Podľa IEC 60601-1-2:2014/AMD1:2020 - Zdravotnícke elektrické prístroje. Časť 1-2: Všeobecné požiadavky na základnú bezpečnosť a nevyhnutné prevádzkové vlastnosti. Pridružená norma: Elektromagnetické rušenia

Prístroj je určený pre použitie v elektromagnetickom prostredí špecifikovanom nižšie. Zákazník alebo užívateľ by mali zaistiť, aby bol prístroj používaný v takom prostredí.


Test odolnosti	Úroveň testu IEC 60601-1-2	Úroveň zhody	Elektromagnetické prostredie - návod
Elektrostatický výboj (ESD) podľa IEC 61000-4-2	±8 kV kontakt ±15 kV vzduch	±8 kV kontakt ±15 kV vzduch	Podlaha by mala byť drevená, betónová alebo keramická. Ak je podlaha pokrytá syntetickým materiálom, musí byť relatívna vlhkosť vzduchu aspoň 30 %.
Rýchle elektrické prechodné javy / skupiny impulzov IEC 61000-4-4	±2 kV pre elektrické rozvody ±1 kV pre vstupné / výstupné rozvody	±2 kV 100 kHz frekvencia opakovania Pripojené na sieť	Kvalita elektrického napájania by mala byť typická pre komerčné alebo nemocničné prostredie.
Rázový impulz IEC 61000-4-5	±1 kV rozdielový režim ±2 kV spoločný režim	±1 kV L-N ±2 kV L-PE; N-PE Pripojené na sieť	Kvalita elektrického napájania by mala byť typická pre komerčné alebo nemocničné prostredie.
Pokles napätia, krátke prerušenie a zmeny napätia na vstupných elektrických rozvodoch IEC 60601-4-11	$U_T=0\%$, 0,5 cyklu (pri 0, 45, 90, 135, 180, 225, 270 a 315°) $U_T=0\%$, 1 cyklus $U_T=70\%$ 25/30 cyklov (pri 0°) $U_T=0\%$, 250/300 cyklov	$U_T=>95\%$, 0,5 cyklu (pri 0, 45, 90, 135, 180, 225, 270 a 315°) $U_T=>95\%$, 1 cyklus $U_T=70\%$ (30% pokles U_T), 25(50Hz)/30(60Hz) cyklov (pri 0°) $U_T=>95\%$, 250(50Hz)/300(60Hz) cyklov	Kvalita elektrického napájania by mala byť typická pre komerčné alebo nemocničné prostredie. Prístroj sa automaticky zastaví a reštartuje pri každom poklese napätia. V tomto prípade nedochádza k neprijateľnému poklesu tlaku.
Magnetické pole sieťovej frekvencie (50/60 Hz) podľa IEC 61000-4-8	N/A	N/A	Prístroj neobsahuje komponenty citlivé na magnetické pole.
Vyžarované polia v tesnej blízkosti podľa IEC 61000-4-39	N/A	N/A	Prístroj neobsahuje komponenty citlivé na magnetické pole.

POZNÁMKA: U_T je AC sieťové napájanie pred aplikáciou testovacej úrovne.

Smernice a vyhlásenie výrobcu - elektromagnetická odolnosť

Podľa IEC 60601-1-2:2014/AMD1:2020 - Zdravotnícke elektrické prístroje. Časť 1-2: Všeobecné požiadavky na základnú bezpečnosť a nevyhnutné prevádzkové vlastnosti. Prídružená norma: Elektromagnetické rušenia

Prístroj je určený pre použitie v elektromagnetickom prostredí špecifikovanom nižšie. Zákazník alebo užívateľ by mali zaistiť, aby bol prístroj používaný v takom prostredí.

Test odolnosti	Úroveň testu IEC 60601-1-2	Úroveň zhody	Elektromagnetické prostredie - návod
Frekvencie šírené vedením IEC 61000-4-6	3 Vrms 150 kHz až 80MHz	3 Vrms	Prenosné a mobilné rádio-frekvenčné komunikačné zariadenia vrátane káblov by sa nemali používať vo vzdialenosti od prístroja menšej, než je odporúčaná vzdialenosť vypočítaná pomocou rovnice pre frekvenciu vysielača. Odporúčaná ochranná vzdialenosť $d=1,2\sqrt{P}$ $d=1,2\sqrt{P}$, 80 MHz až 800 MHz $d=2,3\sqrt{P}$, 800 MHz až 2,7 GHz kde P je maximálny menovitý výkon vysielača vo wattoch (W) podľa údajov výrobcu vysielača a d je odporúčaná ochranná vzdialenosť v metroch (m).
Frekvencie šírené vyžarovaním IEC 61000-4-3	3 V/m 80 MHz až 2,7 GHz	3 V/m	Intenzita poľa od pevných rádio-frekvenčných vysielačov, ako bola určená prieskumom polohy lokality ^a , by mala byť nižšia ako úroveň zhody pre každý frekvenčný rozsah ^b . K rušeniu môže prísť v blízkosti zariadení označených nasledujúcim symbolom:
Blízke polia od RF bezdrôtových komunikačných prístrojov IEC 61000-4-3	9 až 28 V/m 15 určených frekvencií (380 až 5800 MHz)	9 až 28 V/m 15 určených frekvencií (380 až 5800 MHz)	

POZNÁMKA 1 Pri 80 MHz a 800 MHz platí vyšší frekvenčný rozsah.

POZNÁMKA 2 Tieto smernice nemusia platiť za všetkých okolností. Šírenie elektromagnetického vlnenia ovplyvňuje schopnosť absorpcie a odrazivosti budov, objektov a osôb.

^a Intenzitu poľa pevných vysielačov, ako sú napríklad vykryvače mobilných telefónov a pozemné mobilné rádiostanice, amatérske rádiostanice, rozhlasové vysielače v pásmach AM a FM a televízne vysielače, nie je možné presne teoreticky predpovedať. Pre posúdenie elektromagnetického prostredia z hľadiska pevných vysielačov by mal byť zvážený prieskum lokality. Ak nameraná intenzita poľa na mieste, na ktorom je prístroj používaný, prekročí vyššie uvedenú úroveň zhody, je potrebné prístroj pozorovať, aby bolo možné overiť jeho riadne fungovanie. Neobvyklé správanie si môže vyžadovať dodatočné opatrenia, napr. iné nasmerovanie alebo premiestnenie prístroja.

^b Nad frekvenčným rozsahom 150 kHz až 80 MHz by intenzita poľa mala byť nižšia než 3 V/m.

INŠTALÁCIA



Nebezpečenstvo nesprávnej inštalácie.

Kompresor musí inštalovať a po prvýkrát uviesť do prevádzky len kvalifikovaný odborník. Jeho povinnosťou je zaškoliť obsluhujúci personál o používaní a údržbe zariadenia. Inštaláciu a zaškolenie obsluhy potvrdí zápisom v zázname o inštalácii zariadenia (Pozri záručný list).

10. INŠTALAČNÉ PODMIENKY

- Kompresor sa smie inštalovať a prevádzkovať len v suchých, dobre vetraných a bezprašných priestoroch pri podmienkach uvedených v Technických údajoch.



Nebezpečenstvo poškodenia zariadenia.

Zariadenie nesmie byť prevádzkované vo vonkajšom prostredí, ani vo vlhkom alebo mokrom prostredí.



Nebezpečenstvo výbuchu.

Zariadenie je zakázané používať v priestoroch s prítomnosťou výbušných plynov, prachov alebo horľavých kvapalín.

- Kompresor sa musí inštalovať tak, aby bol ľahko prístupný pre obsluhu a údržbu a aby bol prístupný výrobný štítok.
- Kompresor musí stáť na rovnom, dostatočne stabilnom podklade (pozor na hmotnosť kompresora, pozri Technické údaje).



Pri prvom uvedení do prevádzky môžete dočasne (na krátky čas) cítiť charakteristický pach nového výrobku. Tento pach je len krátkodobý a nebráni riadnemu používaniu výrobku. Po inštalácii zabezpečte vetranie miestnosti.

11. ZOSTAVENIE KOMPRESORA

11.1. Manipulácia a odfixovanie

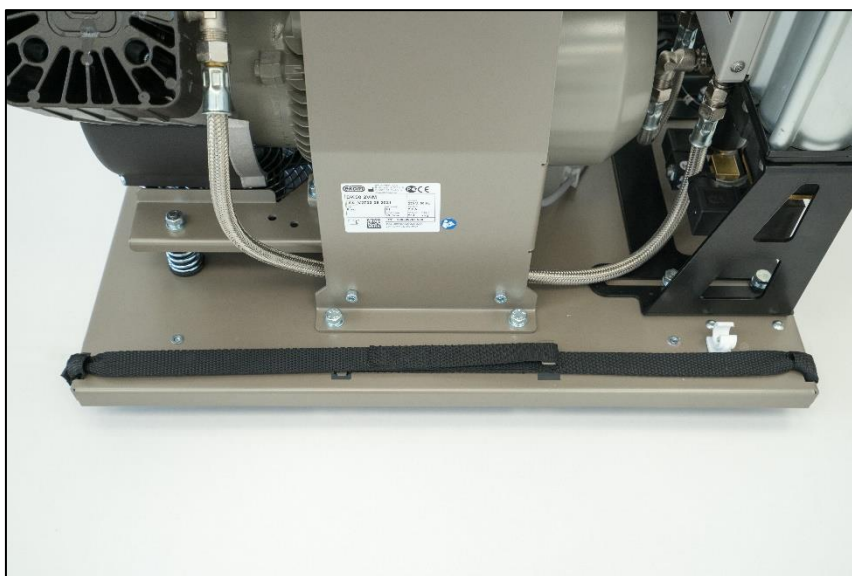
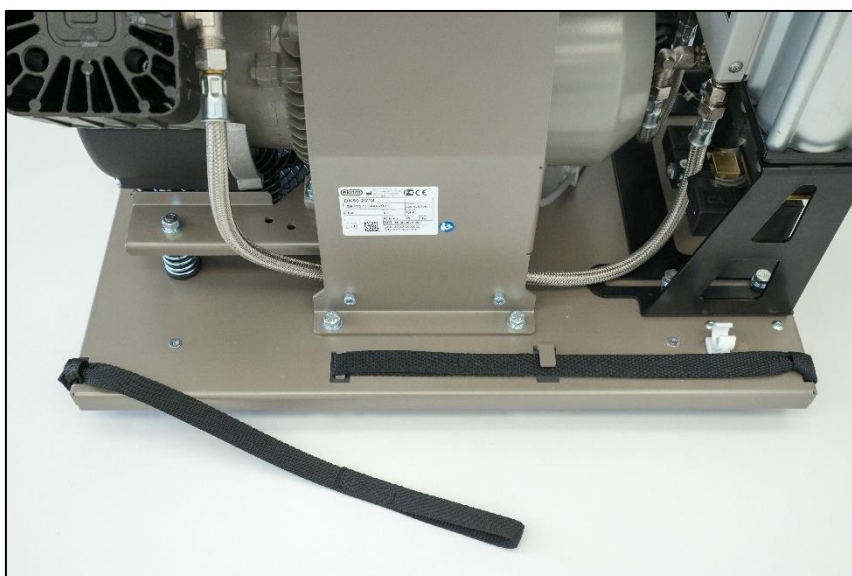
- Vybaľiť kompresor z obalu.
- Pri kompresore so skrinkou otvoriť predné dvere, sňať spojovaciu lištu (17) v prednej spodnej časti. Sňať skrinku z kompresora.
- Uložiť kompresor na miesto prevádzky. (Obr. 4).



Pri manipulácii s kompresorom používať na uchopenie manipulačné popruhy a madlo kompresora. Na uchopenie nepoužívať iné časti kompresora (agregát, chladič a pod.).



Pri manipulácií so zariadením je potrebné prispôbiť počet osôb podľa hmotnosti zariadenia.

Obr. 4 :Manipulácia s kompresorom pomocou popruhov**Zaistenie popruhov po ustavení kompresora**

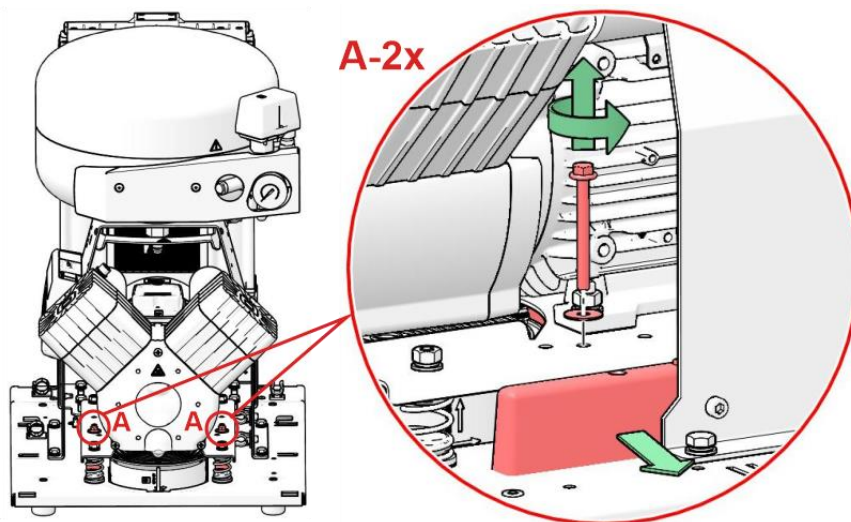
- Odstrániť transportné zaistenie agregátov (Obr. 5)



Pred prvým uvedením do prevádzky sa musia odstrániť všetky prvky slúžiace na fixáciu zariadenia počas dopravy – inak hrozí poškodenie výrobku.

Fixačné prvky agregátov odstrániť až po zostavení a vyvážení kompresora na mieste konečného uloženia.

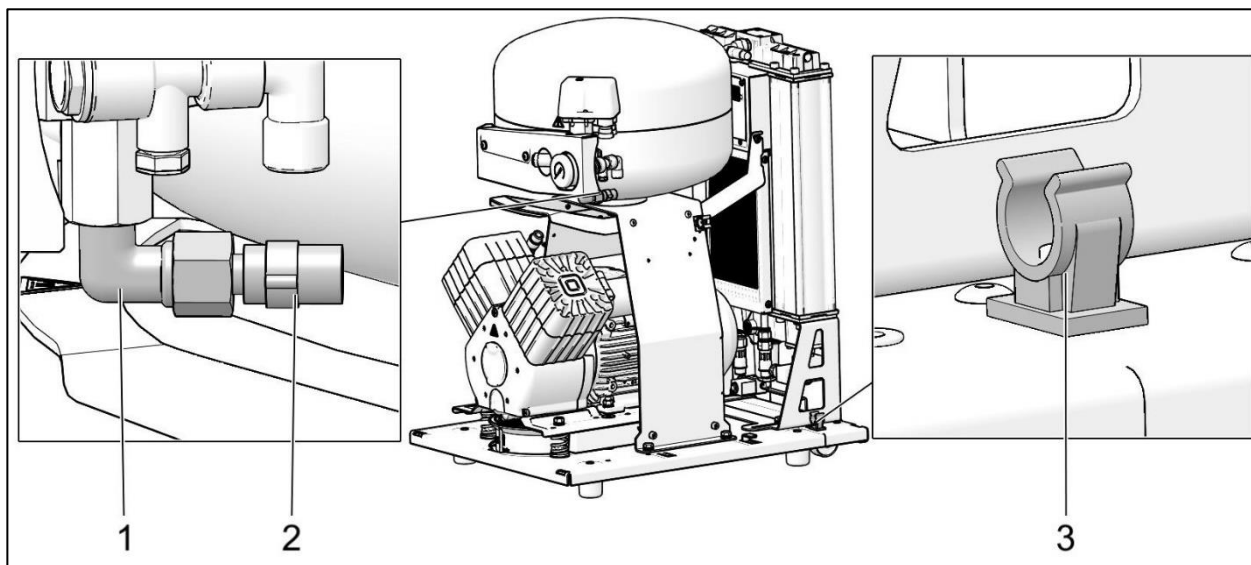
Obr. 5: Odfixovanie agregátu



12. PNEUMATICKÉ PRIPOJENIE

12.1. Pripojenie k výstupu stlačeného vzduchu

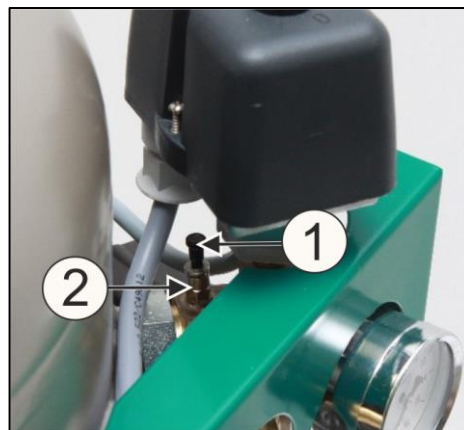
- Na výstup stlačeného vzduchu (1) kompresora pripojiť tlakovú hadicu (2) (Obr. 6).
- Tlakovú hadicu zaistiť v príchytke (3) (Obr. 6).
- Pri kompresore v skrinke vyviesť tlakovú hadicu cez ľavý otvor v zadnej stene skrinky (Obr. 8).



Obr. 6: Pripojenie tlakovej hadice

12.2. Pripojenie tlakomera skrinky ku kompresoru

- Odstrániť zátku (1) zo skrutkovania (2) na pneumatickom bloku kompresora.
- Hadičku manometra skrinky pripojiť ku skrutkovaniu.



Obr. 7: Pripojenie tlakomera skrinky ku kompresoru

12.3. Pripojenie nádoby na kondenzát

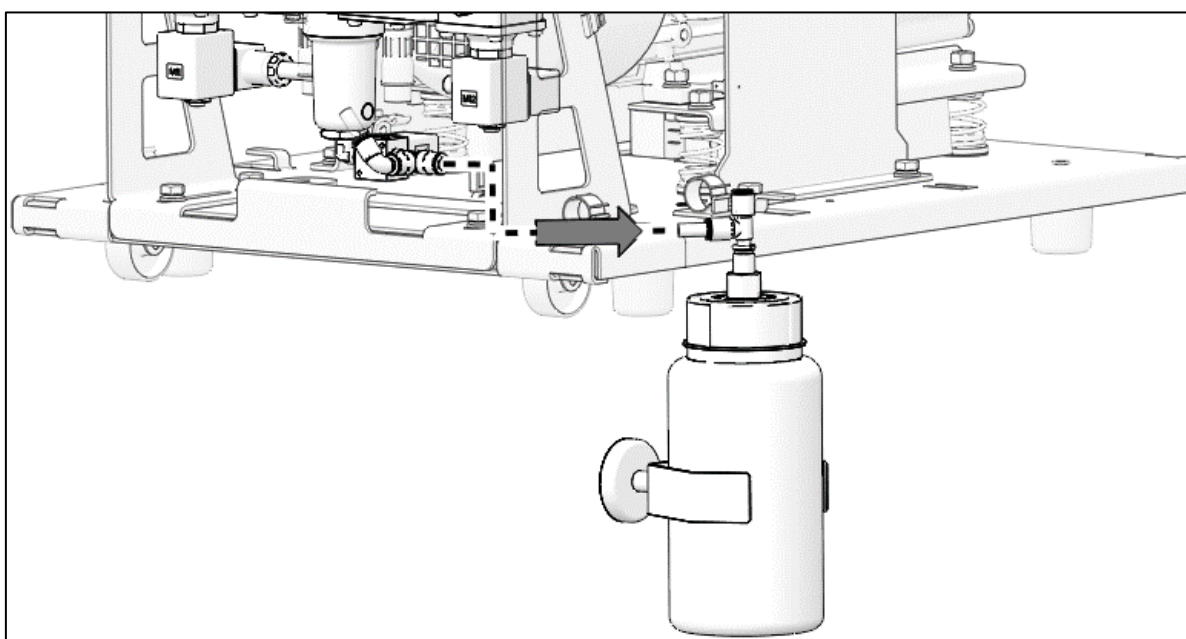
- Nádoby na zber kondenzátu prepojiť hadičkou s výstupom kondenzátu na sušiči. (Obr. 8)
- Do voľného vstupu nádoby na kondenzát vložiť zátku zo základného vybavenia.
- Pri kompresore v skrinke vyviešť hadičku cez otvor v zadnej stene skrinky a pripojiť k nádobe. Nádoby na zber kondenzátu uchytiť na bočný panel, alebo na zadný panel skrinky.

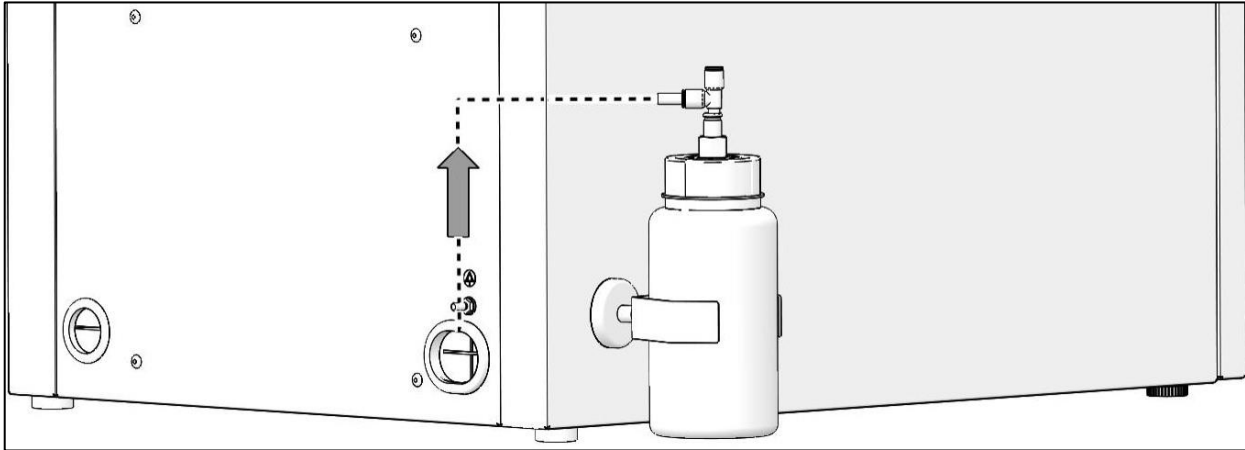


Nebezpečenstvo poranenia.

Odvod kondenzátu sa nesmie priamo pripojiť do odpadu! Môže dôjsť k poraneniu okoloidúcej osoby!

Obr. 8: Pripojenie nádoby na kondenzát



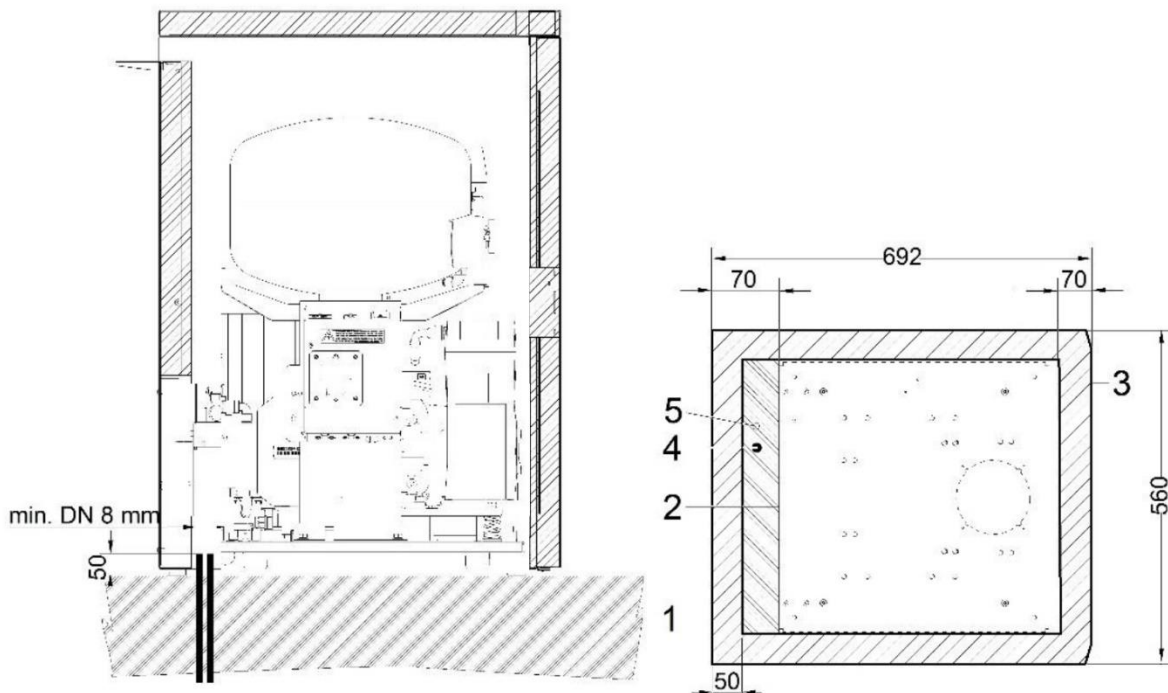


**Nebezpečenstvo poškodenia pneumatických častí.
Vzduchové hadice nesmú byť zlomené.**

12.4. Inštalácia do podlahy

Kompresor zapojiť cez vopred pripravené rozvody v podlahe podľa inštaláčného plánu.

Obr. 9: Inštalácia podlahy



Popis k Obr. 9:

- | | |
|------------------------|---|
| 1. Obrys skrinky | 4. Prípojka stlačeného vzduchu G3/8 |
| 2. Obrys základne | 5. Prívod napájacieho napätia
230 V, 50(60) Hz
3G1.0x4000 |
| 3. Predná časť – dvere | |

- Všetky rozmery sú v mm
- Vzdialenosť od steny minimálne 100mm

13. ELEKTRICKÉ ZAPOJENIE

- Výrobok sa dodáva so šnúrou zakončenou vidlicou s ochranným kontaktom.
- Zásuvka musí byť z bezpečnostných dôvodov dobre prístupná, aby sa výrobok v prípade nebezpečenstva mohol bezpečne odpojiť zo siete.
- Príslušný prúdový okruh musí byť v rozvode elektrickej energie istený maximálne 16 A.



Nebezpečenstvo úrazu elektrickým prúdom.

Je nevyhnutne potrebné rešpektovať miestne elektrotechnické predpisy. Napätie siete a frekvencia musia súhlasiť s údajmi na prístrojovom štítku.



Nebezpečenstvo požiaru a úrazu elektrickým prúdom.

Elektrický kábel sa nesmie dotýkať horúcich častí kompresora.



Nebezpečenstvo požiaru a úrazu elektrickým prúdom.

Elektrická šnúra na pripojenie na elektrickú sieť nesmie byť zlomená.



Skrinka kompresora DK50 2V S/M, prevedenie 6-8 bar, je osadená chladiacim ventilátorom a vypínačom. Skrinku je potrebné pripojiť pomocou šnúry s konektorom ku konektoru na elektropaneli kompresora.

- Kolík na ekvipotenciálne pospojovanie \varnothing 6 mm (1) prepojiť s rozvodom podľa platných elektrotechnických predpisov.
- Zásuvka na ekvipotenciálne pospojovanie (2) je doplnkové príslušenstvo a nenachádza sa v základnom balení.



Obr. 10: Ekvipotenciálne pospojovanie

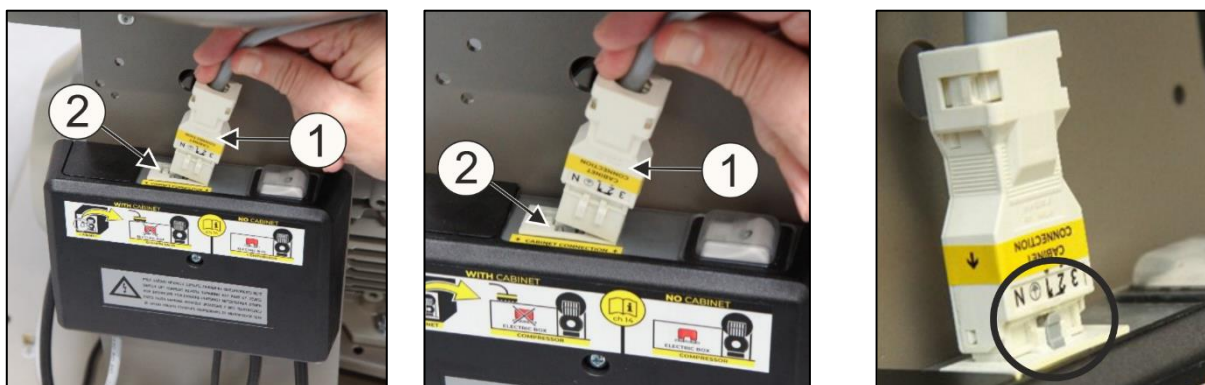
13.1. Zapojenie kompresora bez skrinky

- Vidlicu sieťovej šnúry zapojiť do sieťovej zásuvky.
- Kompresor je pripravený k prevádzke.

13.2. Zapojenie kompresora v skrinke

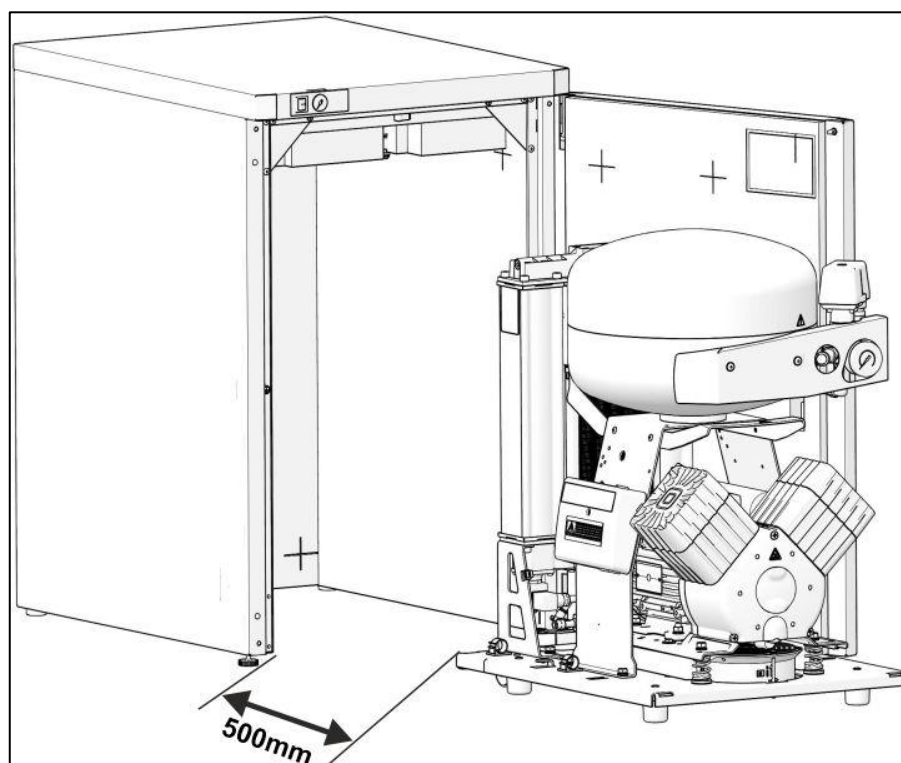
- Pri kompresore v skrinke vyviesť sieťovú šnúru cez otvor zadnej stene skrinky.
- Skrinku elektricky pripojiť ku kompresoru pomocou šnúry s konektorom (1) do zásuvky (2). (Obr. 11)
- Skrinku elektricky odpojiť od kompresora vytiahnutím konektora (1) zo zásuvky pri uvoľnenej západke.
- Pripojiť displej v predných dverách skrinky, šnúru k displeju zafixovať v príchytkách. (Obr. 16)

Obr. 11: Zapojenie skrinky ku kompresoru



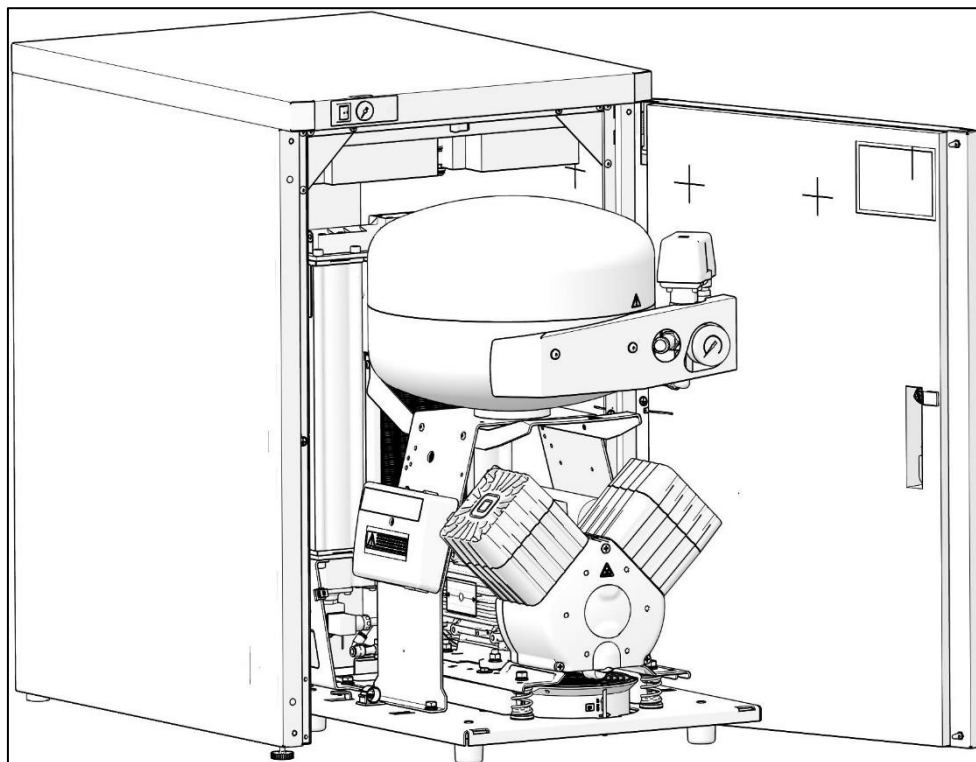
14. UMIESTNENIE KOMPRESORA DO SKRINKY

- Kompresor umiestniť do vzdialenosti min. 500mm od skrinky, aby bolo možné manipulovať s hadicami a napájacou šnúrou v rámci skrinky (Obr. 12).



Obr. 12: Umiestnenie kompresora pre pripojenie

- Vykonať pneumatické zapojenie podľa kap. 12.1.
- Vykonať pripojenie nádoby na zber kondenzátu podľa kap. 12.3.
- Tlakovú hadicu, hadičku na odvod kondenzátu a sieťovú šnúru vyvieť cez otvor v zadnej stene skrinky.
- Kompresor umiestniť do takej vzdialenosti voči skrinke, aby bolo možné pripojiť winsta konektor na elektrické prepojenie kompresora so skrinkou (Obr. 11, Obr. 13).



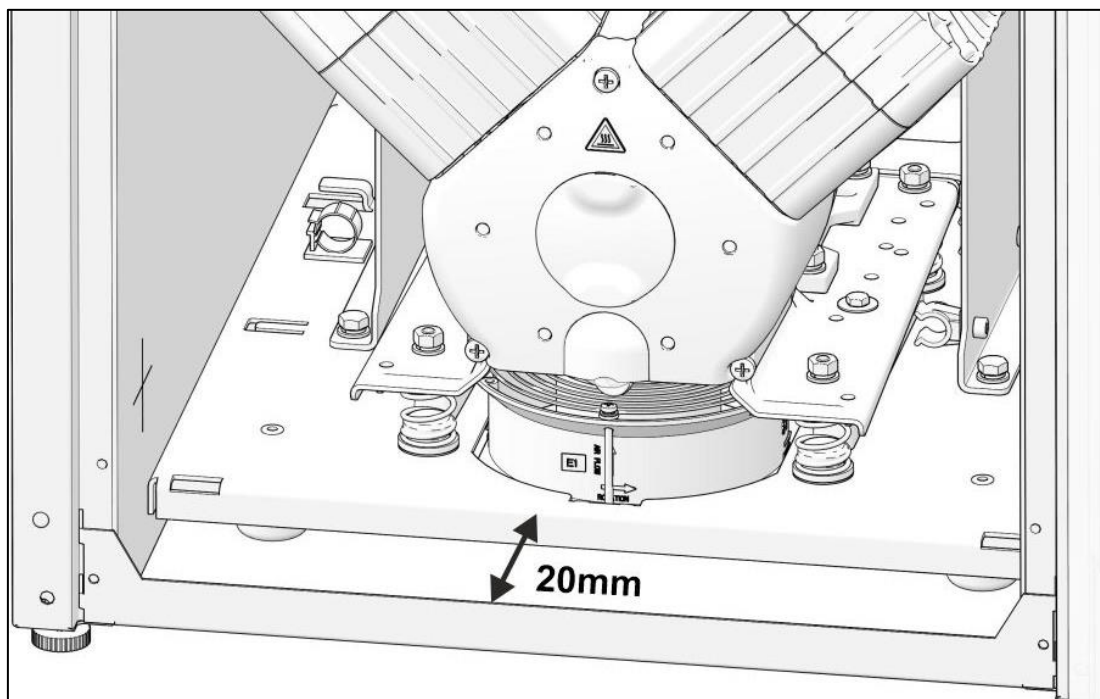
Obr. 13: Umiestnenie kompresora pre elektrické zapojenie

- Kompresor elektricky zapojiť podľa kap. 13.
- Kompresor zasunúť do skrinky a zaistiť spojovaciu lištu (17).



Kompresor sa nesmie zasunúť úplne do skrinky, inak hrozí trvalé poškodenie sušiča.

- Správne zasunutie kompresora do skrinky skontrolovať podľa kontrolného rozmeru (Obr. 14).

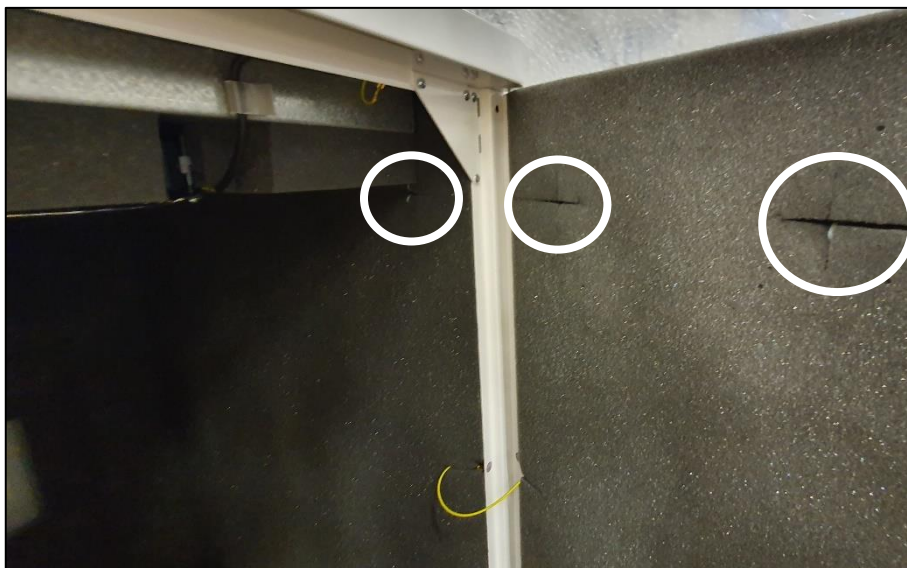


Obr. 14: Ustavenie kompresora DK50 2V/M v skrinke

- Vykonať pripojenie tlakomera skrinky ku kompresoru podľa kap. 12.2.
- Pripojiť displej v predných dverách skrinky (Obr. 15), šnúru k displeju zafixovať v príchytkách (Obr. 16).



Obr. 15: Pripojenie konektora displeja



Obr. 16: Pozícia príchytiek na skrinke

15. PRVÉ UVEDENIE DO PREVÁDZKY

- Skontrolovať, či boli odstránené všetky fixačné prvky použité počas prepravy.
- Skontrolovať správnosť pripojenia stlačeného vzduchu (pozri kap. 12).
- Skontrolovať správne pripojenie na elektrickú sieť (pozri kap. 13).
- Skontrolovať polohu istiaceho vypínača, musí byť v polohe „I“. V prípade, že sa nachádza v polohe „0“, zapnúť vypínač (2) do polohy „I“. (Obr. 17).
- Pri kompresore so skrinkou zapnúť aj vypínač (5) na prednej strane skrinky do polohy „I“, zelená kontrolka signalizuje stav zariadenia v prevádzke (Obr. 17).

- Skontrolovať pripojenie hadičky manometra skrinky k pneumatickému bloku kompresora.
- Skontrolovať správne pripojenie nádoby na zber kondenzátu (pozri kap. 12.3).
- Skontrolovať pripojenie displeja v predných dverách skrinky.
- Nastaviť jazyk, čas a režim sušenia (pozri kap. 20.2) na displeji kompresora.

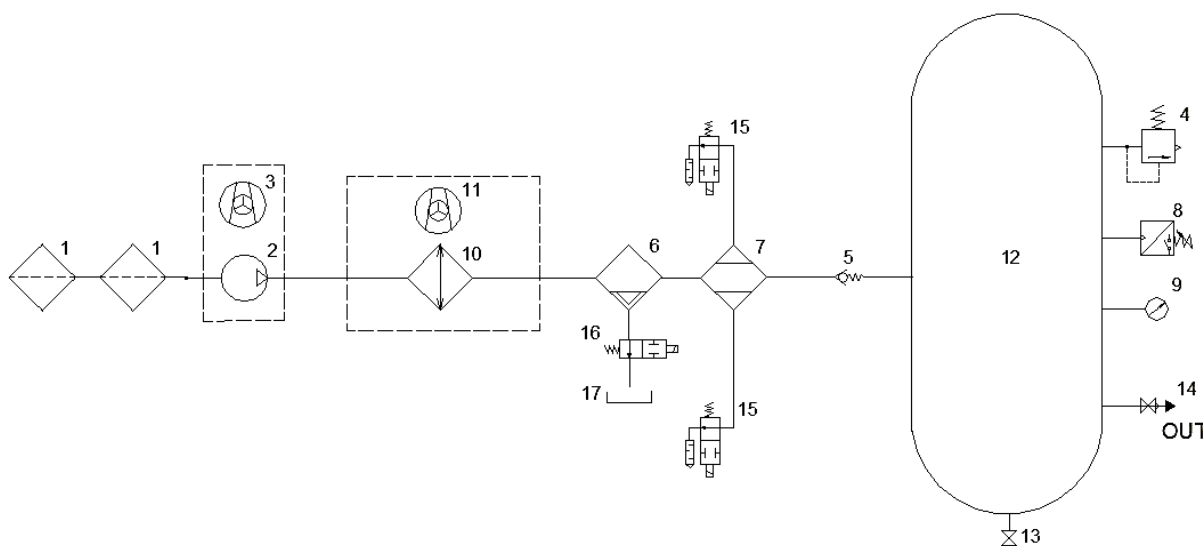


Kompresor neobsahuje záložný zdroj energie.

16. PNEUMATICKÉ A ELEKTRICKÉ SCHÉMY

16.1. Pneumatické schémy

DK50 2V/M, DK50 2V S/M



Popis k pneumatickým schémam:

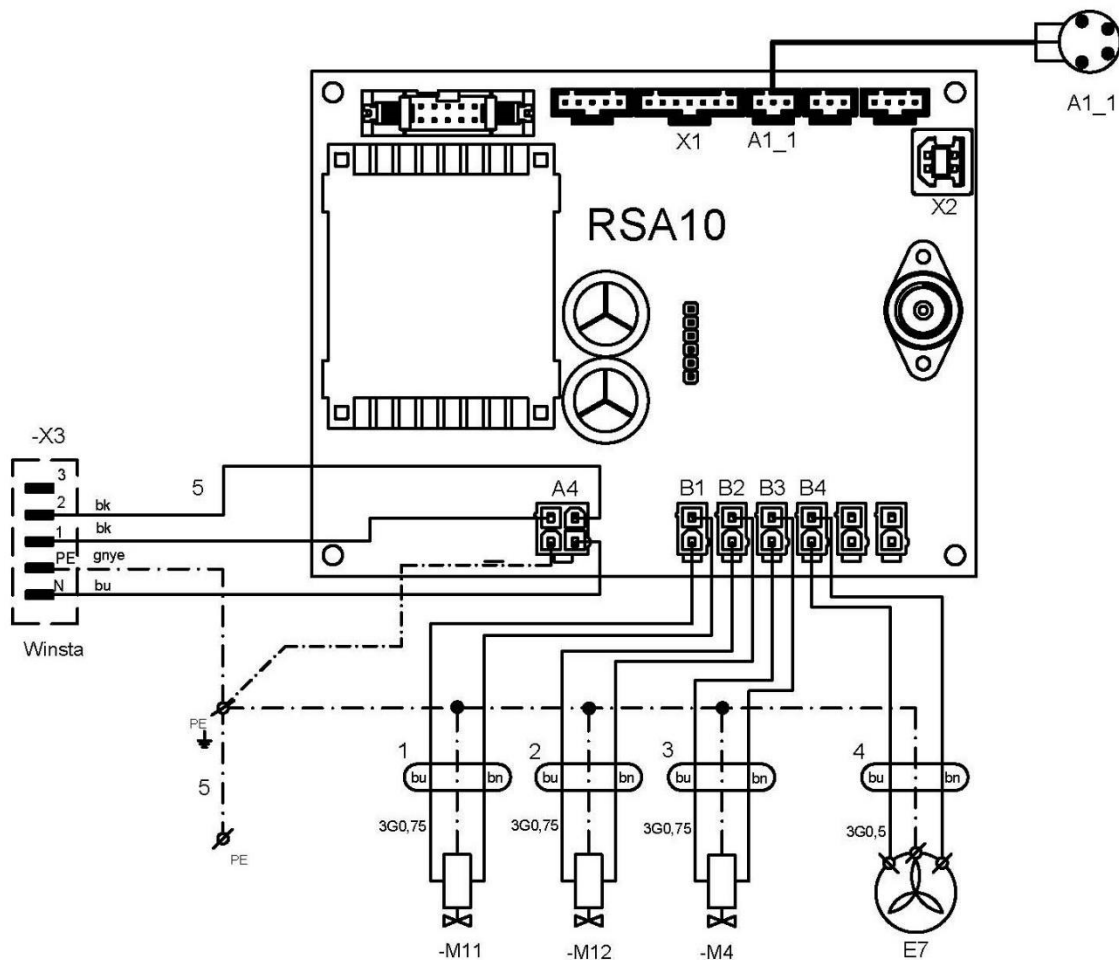
- | | |
|------------------------|---|
| 1 Vstupný filter | 10 Chladič |
| 2 Agregát | 11 Ventilátor chladiča |
| 3 Ventilátor | 12 Vzdušník |
| 4 Poistný ventil | 13 Vypúšťací ventil kondenzátu |
| 5 Spätný ventil | 14 Výstupný ventil |
| 6 Odlučovač kondenzátu | 15 Solenoidný ventil sušiča – regeneračný |
| 7 Sušič | 16 Solenoidný ventil odvodu kondenzátu |
| 8 Tlakový spínač | 17 Nádobu na zber kondenzátu |
| 9 Tlakomer | |

AD140

1/N/PE ~ 230V, 50Hz / 230V, 60Hz

~ 120V, 60Hz

ELEKTRICKÝ PREDMET TR.1



Poznámka:

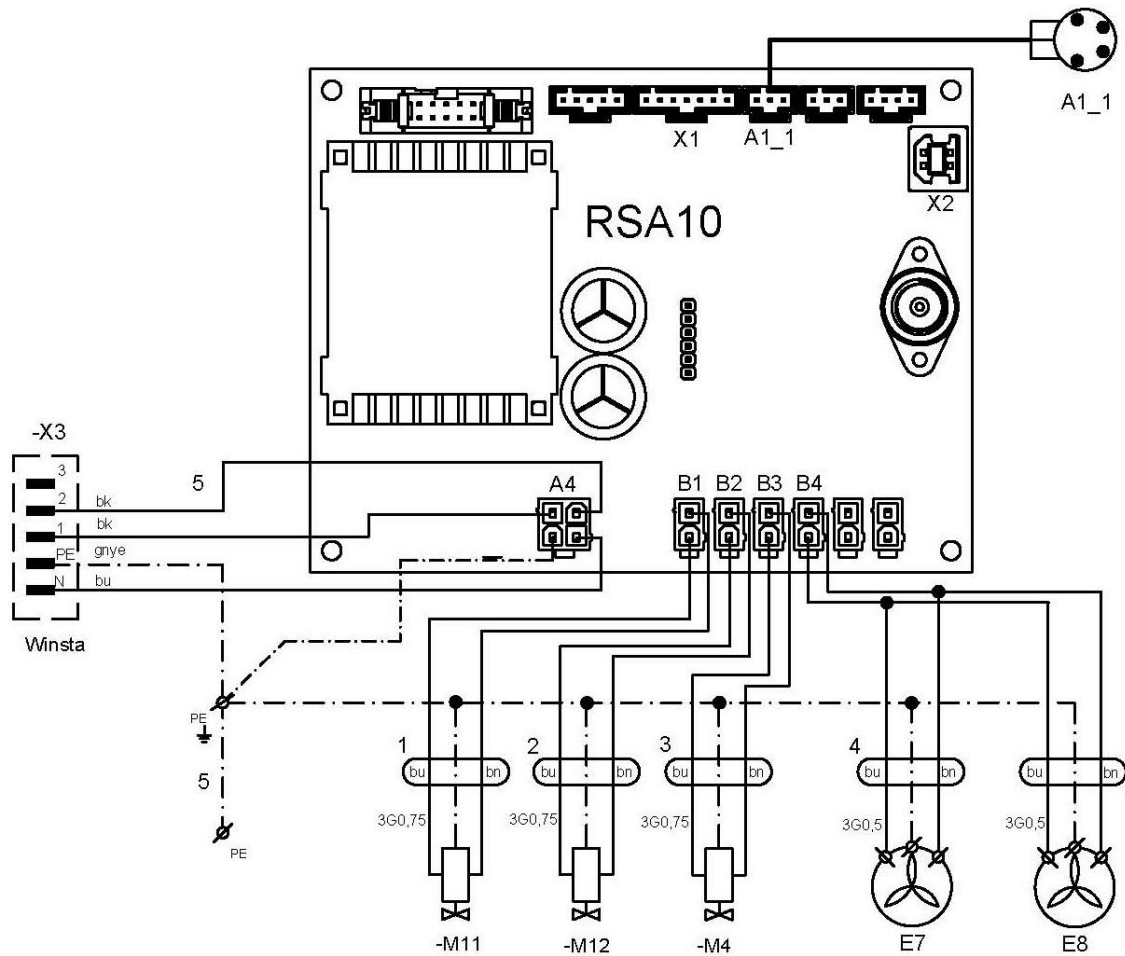
- Snímač rosného bodu (A1_1) nie je súčasťou sušiča, v prípade záujmu kontaktovať dodávateľa.

AD280

1/N/PE ~ 230V, 50Hz / 230V, 60Hz

~ 120V, 60Hz

ELEKTRICKÝ PREDMET TR.1

**Poznámka:**

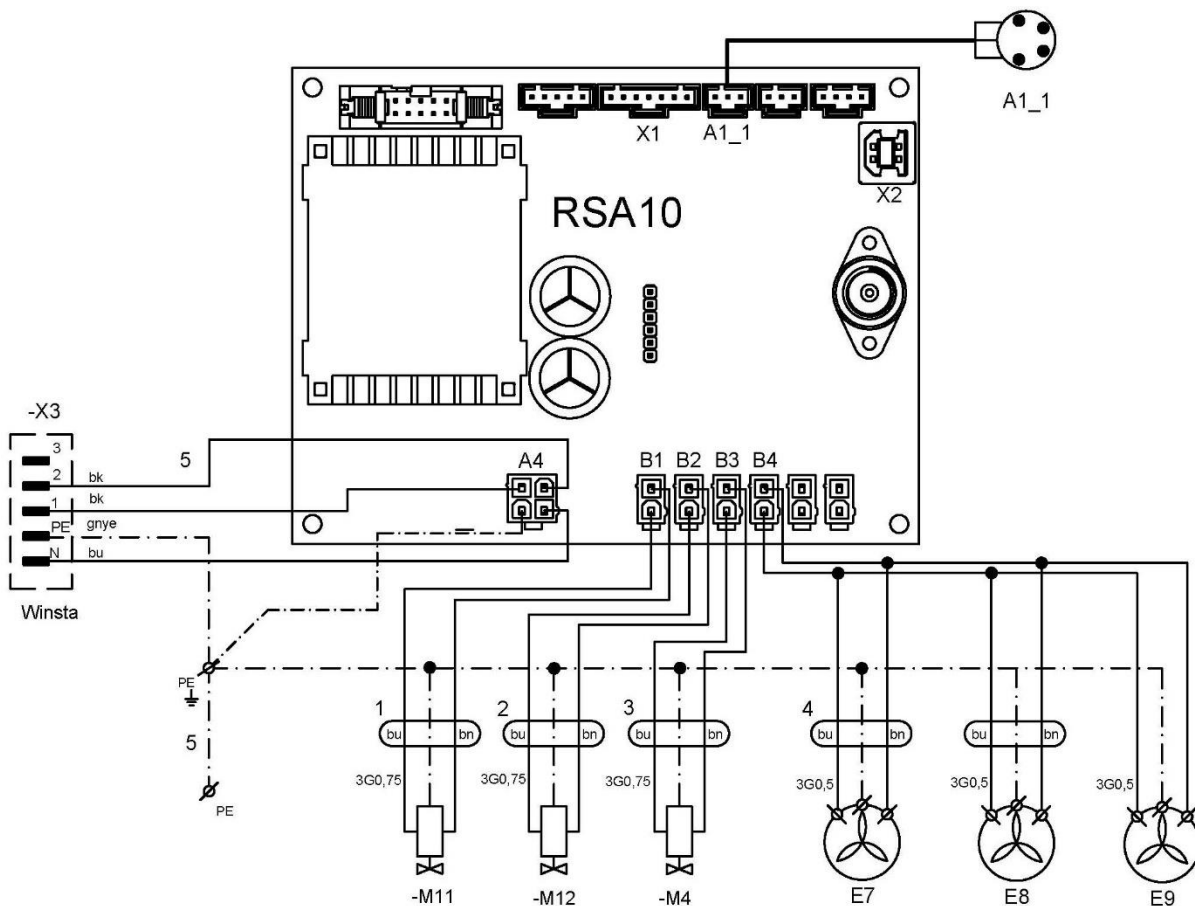
- Snímač rosného bodu (A1_1) nie je súčasťou sušiča, v prípade záujmu kontaktovať dodávateľa.

AD500

1/N/PE ~ 230V, 50Hz / 230V, 60Hz

~ 120V, 60Hz

ELEKTRICKÝ PREDMET TR.1



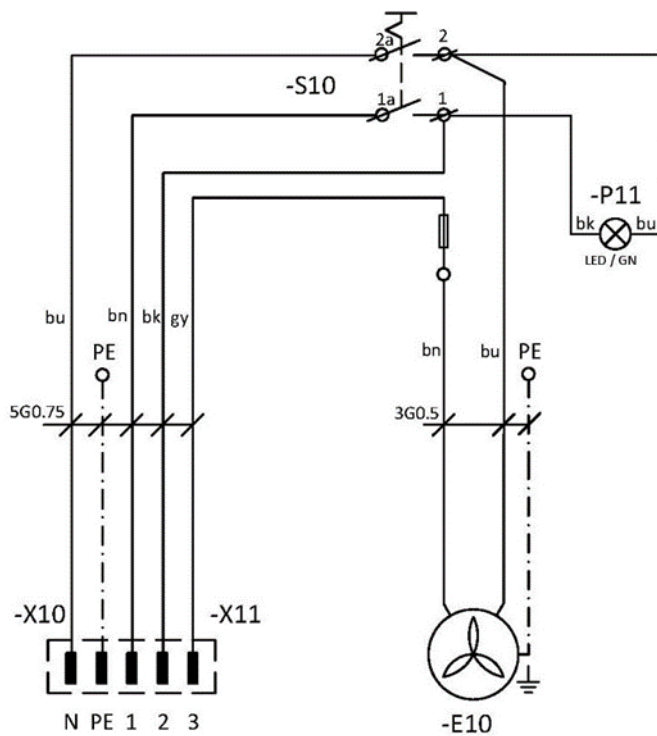
Poznámka:

- Snímač rosného bodu (A1_1) nie je súčasťou sušiča, v prípade záujmu kontaktovať dodávateľa.

Skrinka kompresora

1/N/E 230 V, 50 Hz

ELEKTRICKÝ PREDMET TR.1

**Popis k elektrickým schémam:**

M1	Motor kompresora	F1	Vypínač s istením
E1	Ventilátor kompresora	S10	Vypínač
E7-E9	Ventilátor sušiča	P11	Kontrolka
E10	Ventilátor skrinky	RSA 10	Riadiaca jednotka
B2	Teplotný spínač	M11, M12	Solenoidný ventil - regeneračný
X10,X11	Konektor	M4	Solenoidný ventil - odľahčovací
B1	Tlakový spínač	X2, X3	Zásuvka
X1	Svorkovnica	A1_1	Konektor snímača rosného bodu

OBSLUHA

ZARIADENIE SMIE OBSLUHOVAŤ LEN VYŠKOLENÝ PERSONÁL !



Nebezpečenstvo popálenia alebo požiaru.

Pri činnosti kompresora sa časti agregátu môžu zohriať na teploty nebezpečné pre dotyk osôb alebo materiálu.



Výstraha – kompresor je ovládaný automaticky.

Automatické spustenie. Keď tlak v tlakovej nádrži poklesne na zapínací tlak, kompresor sa automaticky zapne. Kompresor sa automaticky vypne, keď tlak vo vzdušníku dosiahne hodnotu vypínacieho tlaku.



Nebezpečenstvo poškodenia pneumatických častí.

Je zakázané meniť pracovné tlaky tlakového spínača nastaveného u výrobcu. Činnosť kompresora pri nižšom pracovnom tlaku ako je zapínací tlak svedčí o vysokej spotrebe vzduchu (pozri kap. Poruchy).



Nebezpečenstvo poškodenia sušiča.

Pri prevádzke sušiča pri teplote okolia vyššej ako maximálna prevádzková teplota uvedená v Technických údajoch môže dôjsť k poškodeniu sušiča.



Požadovaný stupeň sušenia je možné dosiahnuť len pri dodržaní predpísaných prevádzkových podmienok.

Pri prevádzke sušiča pri tlaku nižšom ako je minimálny pracovný tlak sa zníži účinnosť sušenia a zhorší sa dosahovaný rosný bod.



Pri dlhšom chode kompresora sa zvýši teplota v okolí kompresora nad 40 °C a automaticky sa zopne chladiaci ventilátor. Po vychladení priestoru pod približne 32 °C sa ventilátor opäť vypne.

17. ZAPNUTIE KOMPRESORA

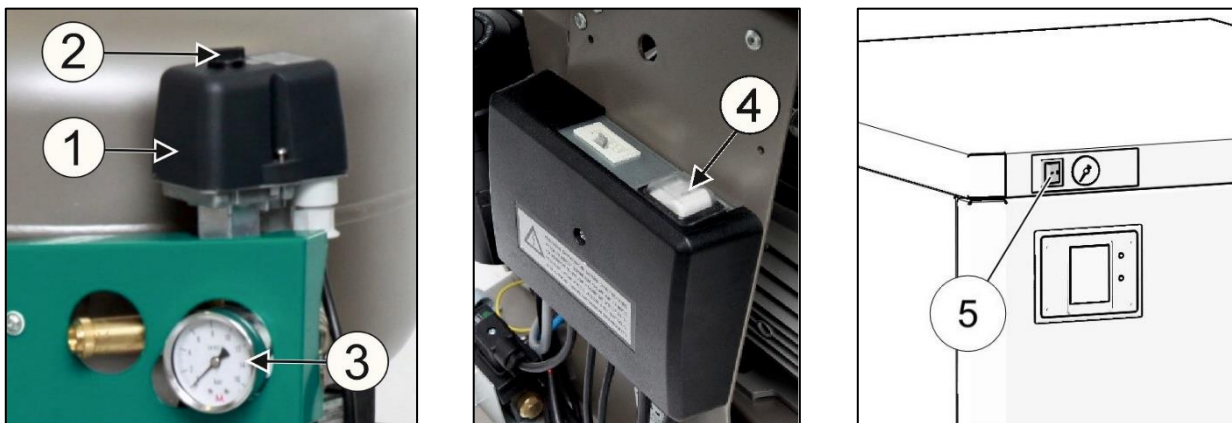
Kompresor (bez skrinky) zapnúť na tlakovom spínači (1) otočením prepínača (2) do polohy „I“. Kompresor začne pracovať, naplní vzdušník na vypínací tlak a tlakový spínač vypne kompresor.

Kompresor v skrinke zapnúť vypínačom (5) na prednej strane skrinky. Kompresor začne pracovať, naplní vzdušník na vypínací tlak a tlakový spínač vypne kompresor.

Ďalej už kompresor pracuje v automatickom režime, podľa spotreby stlačeného vzduchu sa kompresor zapína a vypína.

Hodnoty zapínacieho a vypínacieho tlaku skontrolovať na tlakomeri (3). Hodnoty môžu byť v tolerancii $\pm 10\%$. Tlak vzduchu vo vzdušníku nesmie prekročiť povolený prevádzkový tlak.

Obr. 17: Zapnutie kompresora



- **Kompresor**– kompresor pri prvom zapnutí a uvedení do činnosti sa naplní vzdušník na vypínací tlak a tlakový spínač vypne kompresor. Ďalej kompresor pracuje už v automatickom režime, podľa spotreby stlačeného vzduchu sa kompresor zapína a vypína.
- Počas činnosti kompresora stlačený vzduch prechádza sušičom, ktorý odoberá vlhkosť zo stlačeného vzduchu.
- Cez výpusť na sušiči odfukuje zachytený kondenzát, čo je počuť ako krátke zasyčanie pri zastavení kompresora, alebo počas činnosti pri prepínaní komôr sušiča.



Nebezpečenstvo poškodenia pneumatických častí.

Tlakový spínač (1) bol nastavený u výrobcu a ďalšie nastavenie zapínacieho a vypínacieho tlaku môže vykonať iba kvalifikovaný odborník vyškolený výrobcom.

18. VYPNUTIE KOMPRESORA

- Vypnutie kompresora kvôli vykonaniu servisu alebo z iného dôvodu vykonať na tlakovom spínači (1) otočením prepínača (2) do polohy „0“ (Obr. 17) a **vytiahnutím sieťovej vidlice zo zásuvky**. Kompresor je tým odpojený od napájacej siete.
- Znížiť tlak vo vzdušníku na nulu otvorením vypúšťacieho ventilu.

AD SUŠIČ

19. PRINCÍP FUNKCIE

Činnosť sušiča je riadená signálom z tlakového spínača kompresora.

Keď je kompresor v činnosti, stlačený vzduch vstupuje do chladiča, kde sa ochladí a časť skondenzovanej vlhkosti sa odlúči v integrovanom cyklickom odlučovači. V spodnej časti odlučovača sa nachádza solenoidný ventil V3, ktorý v pravidelných intervaloch vypúšťa kondenzát z odlučovača.

Následne vzduch prechádza do komôrky logického ventilu OR1, v ktorej je snímaný tlak. Pokiaľ tlak v komôrke ventilu nedosiahne tlak $P1 = 3 \text{ bar}$, regeneračné solenoidné ventily V1, V2 (typ NC) zostávajú zatvorené a regenerácia neprebíha. V prípade, že tlak v komore logického ventilu dosiahne min. 3 bary, spustí sa prepínanie komôr podľa logiky popísanej v bode 19.1.

Pri vypnutí signálu z tlakového spínača kompresora sa na krátky čas otvoria ventily regeneračné ventily V1, V2 na odľahčenie kompresorového agregátu a odtlakovanie komôr sušiča.

Odtlakovanie sušiča ako aj regenerácia je realizované cez hadičku spoločnou s výpusťou z odlučovača kondenzátu z tohto dôvodu nemôže byť odvod kondenzátu zvedený priamo do odpadu.

19.1. Regenerácia sušič

Po dosiahnutí pracovného tlaku $P1 = 3 \text{ bar}$ sa spustí regenerácia sušiča. Pri regenerácii sa ventily V1 a V2 cyklicky prepínajú, pričom pred každým prepnutím je zaradená krátka fáza (dT) vyrovnávania tlakov v komorách, počas ktorej sú oba ventily zavreté.

V komore 1 je pracovný tlak a komora sa nachádza v sušiacей fáze, v komore 2 je atmosférický tlak a komora sa nachádza v regeneračnej fáze. Komora je regenerovaná vzduchom prechádzajúcim cez trysku sušiča.

19.2. Režim „Energy saving“ (len pre verzie so snímačom rosného bodu)

Sušič vybavený snímačom rosného bodu umožňuje riadenie množstva oplachového vzduchu tak, aby bol udržiavaný požadovaný rosný bod.

Po dosiahnutí požadovaného rosného bodu sa v záujme optimalizácie množstva oplachového vzduchu pozastaví regenerácia. V režime so zastavenou regeneráciou sú oba ventily V1, V2 zavreté (a teda je zastavený oplach komôr suchým vzduchom).

Pre rovnomerné zaťaženie komôr sa komory ďalej striedajú v pôvodnom intervale.

Po náraste rosného bodu sa „Energy saving“ režim ukončí a sušič pracuje ďalej v režime so zapnutou regeneráciou.

Trvanie režimu s vypnutou regeneráciou

„Energy saving“ režim s vypnutou regeneráciou je časovo obmedzený. Po uplynutí definovaného intervalu (4 prepnutia komôr) sa zaradí 1 cyklus so štandardnou regeneráciou oboch komôr.

19.3. Alarmový systém

Všetky alarmové stavy prístroja sú stavmi technického alarmu nízkej priority podľa EN 60601-1-8. Každý alarmový stav je indikovaný príslušným vizuálnym signálom (pozri kap. 22) –Vizuálny signál bliká. V prípade poruchy zverte opravu oprávnenému servisu.

Alarmové stavy signalizujú možnú poruchu prístroja. Alarmové signály preto nie je možné deaktivovať.

Všetky alarmové signály sú nepretrvávajúce – po zániku príčiny alarmového stavu sú alarmové signály ukončené.

Pozícia operátora. Nevyžaduje sa žiadna konkrétna pozícia operátora. Prevádzkovateľ by však mal zostať v dosahu vizuálneho výstražného signálu, ktorý môže závisieť od skutočných prevádzkových podmienok.

Nízky tlak. Signál je aktívny v prípade, že tlakový snímač sušiča zaznamená nízky tlak v sušiči pod definovaným limitom 3 bar. Príčinou aktivovania signálu počas prevádzky môže byť únik vzduchu z kompresora/sušiča, porucha ovládacích elektromagnetických ventilov na sušiči, chyba softvéru.

Vysoký tlak. Signál je aktívny v prípade, že tlakový snímač sušiča zaznamená nárast tlaku nad hornú hranicu tlaku. Agregát sa vypne a ostane vypnutý až kým tlak neklesne. V prípade automatického nevypnutia agregátu nadbytočný tlak je uvoľnený poistným ventilom na vzdušníku kompresora.

Vysoký rosný bod. Signál je aktívny v prípade ak snímač rosného bodu zaznamená vysoký rosný bod.

Uplynutý servisný interval. Signál je aktívny do zrealizovania servisu a zresetovania, resp. zadania nového servisného intervalu.

20. POUŽÍVATEĽSKÉ ROZHRAŇIE / NASTAVENIA

20.1. Význam symbolov zobrazovaných na displeji



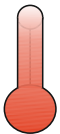
Symbol návodu na použitie resp. čítaj návod na použitie.



Symbol vyjadrujúci teplotu okolia (od 25°C) súvisiaci so zvoleným režimom. Program v danom móde upraví predplňanie komôr.



Symbol vyjadrujúci teplotu okolia (od 25°C do 30°C) súvisiaci so zvoleným režimom. Program v danom móde upraví predplňanie komôr.



Symbol vyjadrujúci teplotu okolia (nad 30°C) súvisiaci so zvoleným režimom. Program v danom móde upraví predplňanie komôr.



Návrat do základného menu na 4 základné obrazovky.



Krok späť.



Symbol servisného intervalu.



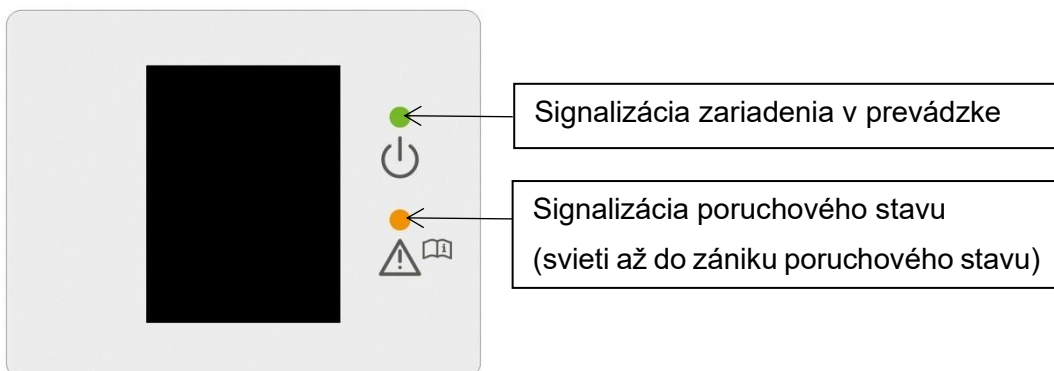
Symbol aktuálneho stavu komory sušiča – regenerácia.



Symbol aktuálneho stavu komory sušiča – sušenie.

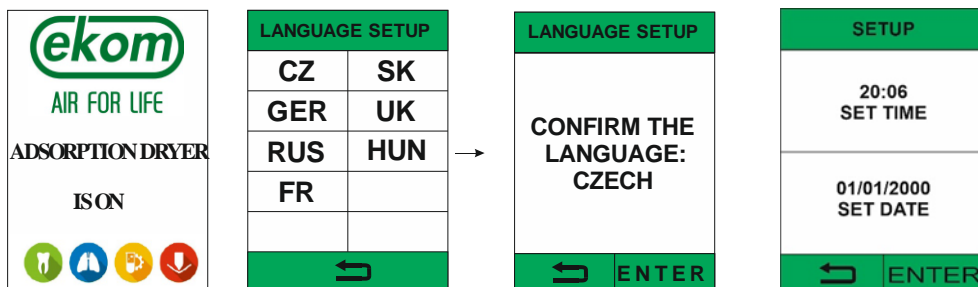


Symbol predpíňania komôr – vyrovnávanie tlaku v komorách.



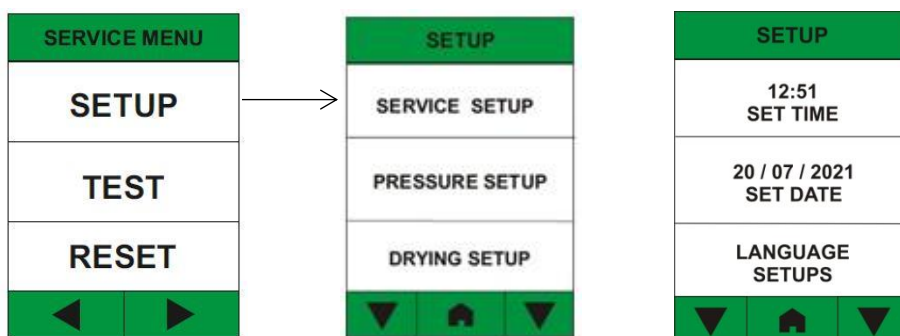
20.2. Prvé nastavenie používateľského rozhrania

Pri úvodnom spustení programu sa zobrazí možnosť nastavenia jazyka, času a dátumu. Servisný pracovník počas inštalácie zvolí daný jazyk, čas a dátum na základe geografického umiestnenia sušiča. Danú voľbu si program uloží a zapamätá. Pri opakovanom spustení sa táto voľba nevyvoláva. Potvrdením danej voľby sa zároveň spustí odpočítanie servisných hodín.



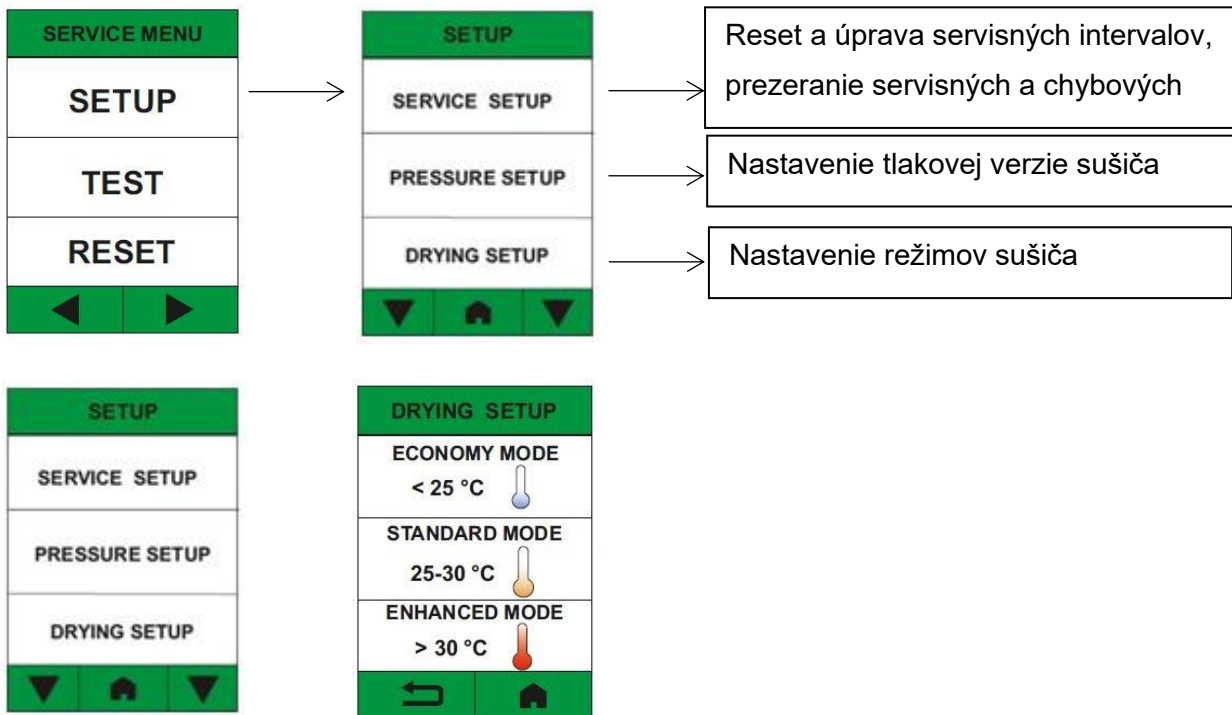
20.3. Nastavenie času a dátumu pri prvom spustení

Pri prvom spustení je odporúčané nastaviť dátum a čas. Nastavenie sa robí v servisnom menu v časti SETUP. Prístup do servisného menu je podmienený kódom (1992). V časti SETUP sa cez šípku dolu dostanete k nastaveniu času a dátumu. Rovnakým spôsobom je možné cez LANGUAGE SETUP opätovne nastaviť jazyk používateľského rozhrania.



20.4. Nastavenie režimu sušenia pri prvom spustení

Pri prvom spustení je odporúčané nastaviť režim sušenia vzduchu. Nastavenie sa robí v servisnom menu v časti SERVICE SETUP. Prístup do servisného menu je podmienený kódom (1992).



Režim sušenia sa nastavuje podľa odhadovaného teplotného rozsahu, v ktorom bude zariadenie pracovať a podľa verzie kompresora (bez skrinky, so skrinkou).

- kompresor bez skrinky $t_0 < 25\text{ °C}$ - nastavte režim ECONOMY
- kompresor bez skrinky $t_0 = 25\text{ °C} - 30\text{ °C}$ - nastavte režim STANDARD
- kompresor bez skrinky $t_0 > 30\text{ °C}$ - nastavte režim ENHANCED
- kompresor v skrinke - nastavte režim ENHANCED

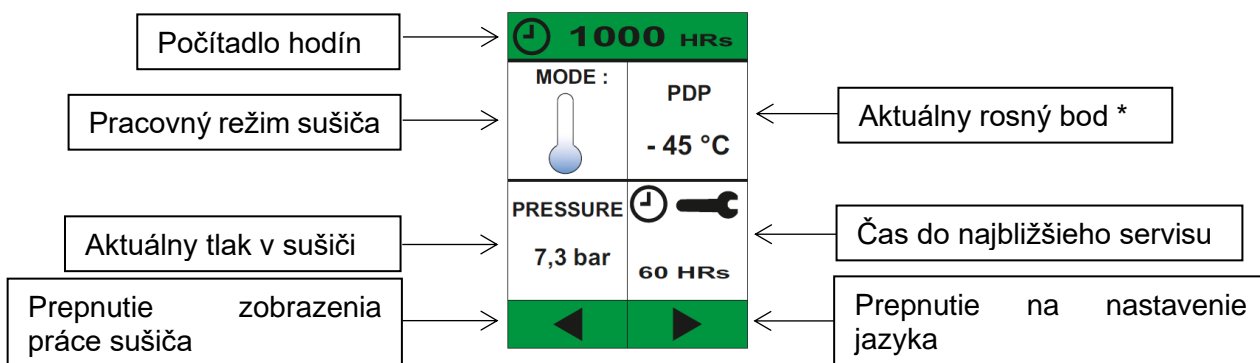
t_0 - teplota okolia

21. ZÁKLADNÉ OBRAZOVKY

Po nastavení jazyka používateľského rozhrania a režimu sušenia sa zobrazí domovská obrazovka. Z domovskej obrazovky je možnosť prepínať medzi 4 základnými obrazovkami.

Na prepínanie medzi jednotlivými obrazovkami slúžia šípky v spodnej časti obrazovky.

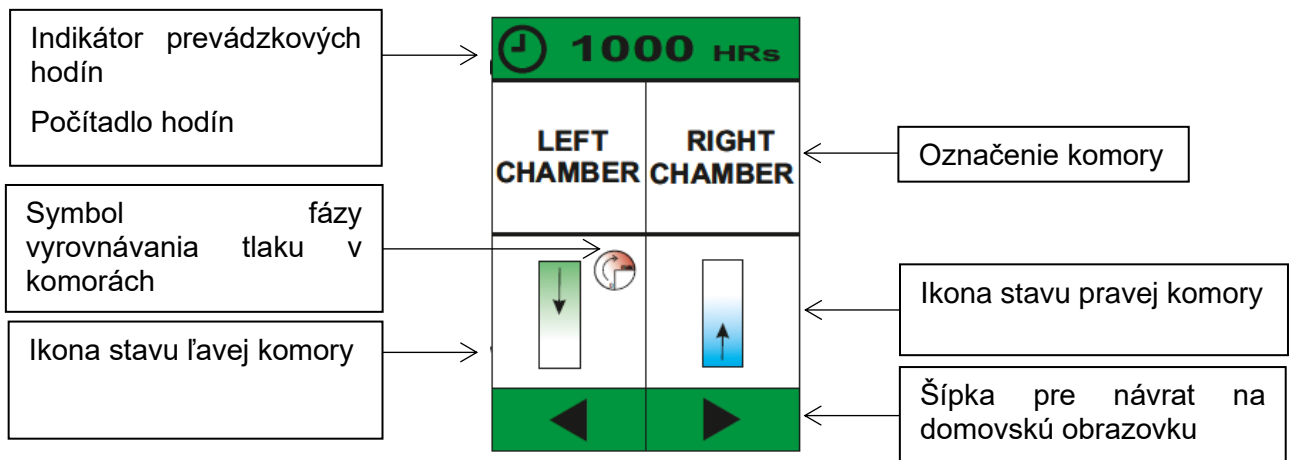
21.1. Domovská obrazovka



(*dané informácia je zobrazená iba v prípade vybavenia kompresora snímačom rosného bodu)

- Na domovskej obrazovke sušiča sa nachádzajú zobrazenia základných informácií a meraných parametrov. V hornej časti obrazovky sa nachádza indikátor prevádzkových hodín sušiča. Domovská obrazovka je následne rozdelená do 4 základných polí, kde sú zobrazované nasledujúce informácie:
- Pracovný režim sušiča (pozri kap. 20.1)
- Aktuálna hodnota tlaku v sušiči (min. pracovný tlak pre spustenie regenerácie sušiča je 3bar)
- Aktuálna hodnota tlakového rosného bodu (iba pre kompresory vybavené snímačom rosného bodu)
- Zostávajúci čas do najbližšieho servisného intervalu (pozri kap. 22.1, 22.2 – servisné intervaly)

21.2. Obrazovka práce sušiča



V hornej časti obrazovky sa nachádza indikátor prevádzkových hodín sušiča. Obrazovka práce sušiča je ďalej rozdelená na 4 polia, ktoré opisujú pracovné cykly komôr sušiča prostredníctvom grafického znázornenia aktuálnych stavov jednotlivých komôr.



Symbol aktuálneho stavu komory sušiča – regenerácia.



Symbol aktuálneho stavu komory sušiča – sušenie.



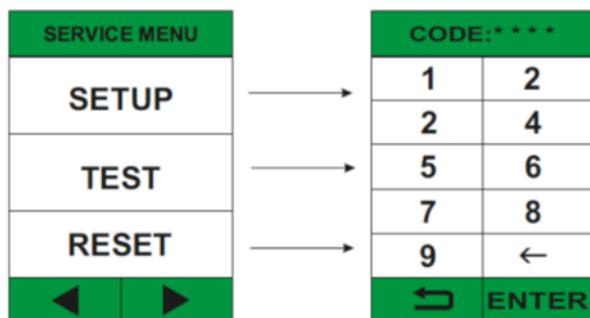
Symbol predplňania komôr – vyrovnávanie tlaku v komorách.

21.3. Obrazovka nastavenia jazyka



Medzi základnými obrazovkami sa nachádza obrazovka s možnosťou dodatočnej zmeny nastavenia jazyka.

21.4. Obrazovka servisného menu



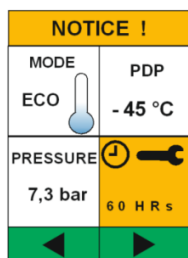
Servisné menu je určené výhradne pre servisných pracovníkov. Prístup do jednotlivých položiek servisného menu je chránený heslom 1992.

22. SIGNALIZÁCIA SERVISU A PORUCHOVÝCH STAVOV

Riadiaca jednotka adsorpčného sušiča je schopná merať vybrané parametre (tlak a tlakový rosný bod vo verzii so snímačom rosného bodu) a vyhodnocovať základné prevádzkové stavy sušiča.

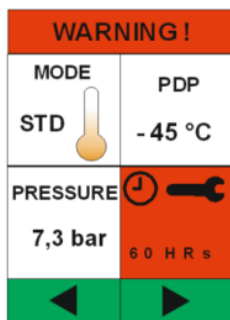
Na základe vyhodnotenia meraných parametrov a informácií o servise zobrazuje riadiaca jednotka informácie o poruchových stavoch prostredníctvom nasledujúcich notifikácií a upozornení.

22.1. Notifikácia - blížiaci sa servisný interval



- 100 pracovných hodín pred najbližším servisným intervalom **sa rozsvieti notifikácia žltou farbou („Notice!“)**. Súčasne sa na oranžovo rozsvieti pole servisu.
- **Priebežne je zobrazovaný zostávajúci počet hodín do najbližšieho servisu**
- **Upozornenie je zobrazované až do vykonania servisu a zresetovania servisného intervalu**

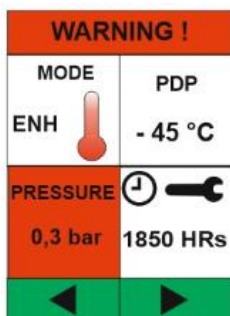
22.2. Upozornenie - Prekročenie servisného intervalu



- Po uplynutí servisného intervalu sa rozsvieti upozornenie červenou farbou („Warning!“). Súčasne sa na červeno rozsvieti pole servisu.
- Upozornenie je zobrazované až do vykonania servisu a zresetovania servisného intervalu
- Priebežne je zobrazovaný počet hodín do najbližšieho servisu
- Záznam o upozornení sa uloží do histórie upozornení („Warning log“)
- Sušič naďalej pracuje normálne

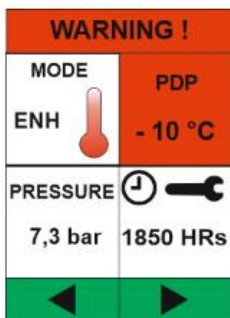
22.3. Poruchové stavy

Nízky / vysoký tlak



- Pri detekovaní nízkeho (<3 bar) alebo vysokého tlaku (> 8,5 bar , resp. > 10,5 bar v závislosti od tlakovej verzie) sa rozsvieti upozornenie červenou farbou („Warning!“). Súčasne sa na červeno rozsvieti pole indikujúce hodnotu aktuálneho tlaku.
- Upozornenie je zobrazované počas trvania poruchového stavu
- Záznam o upozornení sa uloží do histórie upozornení („Warning log“)
- Sušič nepracuje normálne neprebíha regenerácia, treba odstaviť kompresor.

Vysoký rosný bod



- Upozornenie je dostupné iba pre sušiče vybavené snímačom rosného bodu
- Pri detekovaní vysokého rosného bodu (> -20°C , resp. > -40°C v závislosti od verzie sušiča) sa rozsvieti upozornenie červenou farbou („Warning!“). Súčasne sa na červeno rozsvieti pole indikujúce hodnotu aktuálneho tlakového rosného bodu.
- Upozornenie je zobrazované počas trvania poruchového stavu
- Záznam o upozornení sa uloží do histórie upozornení („Warning log“)
- Sušič nepracuje správne alebo je použitý mimo odporúčaných podmienok použitia, treba odstaviť kompresor.



Po prvom uvedení do prevádzky sa môže objaviť alarm vysokého rosného bodu. Tento stav trvá, kým nedôjde k zregenerovaniu sušiča. Dĺžka regenerácie sušiča závisí od mnohých parametrov používania zariadenia. Regenerácia sušiča by mala trvať maximálne 24 pracovných hodín sušiča. Ak sušič nedosiahne požadovaný rosný bod počas prvých 24 pracovných hodín, prosím kontaktujte servisného pracovníka.

22.4. Obrazovka „Call Service“



- V prípade výskytu notifikácie alebo upozornenia obrazovka „Call Service“ bliká striedavo s domovskou obrazovkou

ÚDRŽBA VÝROBKU

23. ÚDRŽBA VÝROBKU



Prevádzkovateľ je povinný zabezpečiť vykonávanie skúšok zariadenia v intervaloch, ktoré určujú príslušné národné právne predpisy. O výsledkoch skúšok musí byť vykonaný záznam.

Zariadenie je navrhnuté a vyrobené tak, aby jeho údržba bola minimálna. Pre riadnu a spoľahlivú činnosť kompresora je však potrebné vykonávať práce podľa nasledujúceho popisu.



Nebezpečenstvo neodborného zásahu.

Opravné práce, ktoré presahujú rámec bežnej údržby (pozri kap. 23.1), smie vykonávať iba kvalifikovaný odborník (organizácia poverená výrobcom) alebo zákaznícky servis výrobcu.

Práce v rámci bežnej údržby (pozri kap. 23.1) smie vykonávať iba zaškolený pracovník obsluhy.

Používať sa smú iba náhradné diely a príslušenstvo predpísané výrobcom.



Nebezpečenstvo úrazu a poškodenia zariadenia.

Pred začatím prác týkajúcich sa údržby kompresora je nutné:

- skontrolovať, či je možné odpojiť kompresor od spotrebiča, aby tým nevzniklo riziko poškodenia zdravia osoby používajúcej daný spotrebič, prípadne iné materiálne škody;
- vypnúť kompresor;
- odpojiť ho z elektrickej siete (vytiahnuť sieťovú zástrčku);
- vypustiť stlačený vzduch zo vzdušníka.



Nebezpečenstvo úrazu pri vypúšťaní stlačeného vzduchu.

Pri vypúšťaní stlačeného vzduchu z pneumatického rozvodu (vzdušníka) je potrebné chrániť si zrak – použiť ochranné okuliare.



Nebezpečenstvo popálenia.

Počas činnosti kompresora alebo krátko po jej ukončení majú časti agregátu (hlava, valec, tlaková hadica) vysokú teplotu – nedotýkať sa uvedených častí.

Pred údržbou, servisom výrobku alebo pripájaním / odpájaním prívodu stlačeného vzduchu nechať zariadenie vychladnúť!



Uzemňovací vodič odpojený počas servisného zásahu je potrebné po ukončení prác opätovne pripojiť na pôvodné miesto.

- Pri servise alebo údržbe je možné vysunúť kompresor zo skrinky jeho vytiahnutím pred skrinku (ako dovoľí dĺžka šnúry medzi kompresorom a skrinkou). (Pozri kap. 23). Po jeho vytiahnutí je možné vykonať potrebnú údržbu alebo servis.
- V prípade odpojenia šnúry medzi kompresorom a skrinkou (vytiahnutím vidlice konektora, kap. 13.2), kompresor nie je funkčný. Aby kompresor bol funkčný, treba postupovať podľa kap. 13.2 alebo 23.10 alebo 23.11.

23.1. Intervaly údržby

Časový interval ^{b)}	50 Hz		60 Hz		1x za deň	1x za týždeň	1x za rok	1x za 2 roky	4000 hod.	6000 hod.	8000 hod.	10000 hod.	12000 hod.	16000 hod.	20000 hod.	24000 hod.	Kap.	Súprava náhradných dielov	Vykoná
	obsluha	kvalifikovaný odborník																	
Kontrola činnosti výrobu	x																23.2	-	
Kontrola funkcie výrobu		x															9	-	
Kontrola tesnosti spojov a kontrolná prehliadka zariadenia							x										23.3	-	
Kontrola elektrických spojov							x										23.4	-	
Kontrola chladiča a ventilátora							x										23.8	-	
Kontrola poistného ventilu							x										23.6	-	
Výmena vstupného filtra a predfiltra agregátu ^{a)}									x		x		x				23.7	025200139-000 025200150-000	

^{a)} Platí údaj v hodinách, ak nie je dostupný, potom platí údaj v rokoch.

^{b)} Pri prevedení kompresora 60 Hz sa časový interval v hodinách skrúti o 20 % (2000h./1600h., 4000h./3200h., 6000h./4800h., 8000h./6400h., 10000h./8000h., 12000h./9600h.)

^{c)} Platí údaj, ktorý nastane skôr: 4 roky / 8000 hod.

^{d)} Platí údaj, ktorý nastane skôr: 8 rokov / 20000 hod.

Časový interval ^{b)}	50 Hz	60 Hz	Vykoná										Kap.	Súprava náhradných dielov	kvalifikovaný odborník		
			1x za deň	1x za týždeň	1x za rok	1x za 2 roky	4000 hod.	6000 hod.	8000 hod.	10000 hod.	12000 hod.	16000 hod.				20000 hod.	24000 hod.
Kalibrácia snímača rosného bodu					x											23.9	-
Výmena kaziet s adsorbentom ^{c)}																	603022476-000
Výmena guľôčky logického ventilu AD sušiča																	069000317-000
Výmena solenoidného ventilu sušiča ^{d)}																	025300117-000
Vykonat „Opakovanú skúšku“ podľa EN 62353																	-

^{a)} Platí údaj v hodinách, ak nie je dostupný, potom platí údaj v rokoch.

^{b)} Pri prevedení kompresora 60 Hz sa časový interval v hodinách skráti o 20 %. (2000h./1600h., 4000h./3200h., 6000h./4800h., 8000h./6400h., 10000h./8000h., 12000h./9600h.)

^{c)} Platí údaj, ktorý nastane skôr: 4 roky / 8000 hod.

^{d)} Platí údaj, ktorý nastane skôr: 8 rokov / 20000 hod.

23.2. Kontrola činnosti

- Kontrolovať stav agregátov – agregáty musia mať rovnomerný chod, bez vibrácií, primeranú hlučnosť. V prípade negatívneho výsledku hľadať príčinu stavu alebo volať servis.
- Kontrolovať činnosti ventilátorov (zrakom) – ventilátory musia byť v činnosti v čase, keď sú v činnosti agregáty. V prípade negatívneho výsledku hľadať príčinu stavu alebo volať servis.
- Kontrolovať neporušenosť prívodného kábla, pneumatických hadíc. Poškodené diely vymeniť alebo volať servis.
- Kontrola teploty okolia – teplota okolia musí byť pod povolenou teplotou (40°C). V prípade vyššej teploty zlepšiť chladenie v miestnosti.
- Na nádobe na kondenzát uvoľniť zátku a vyliť kondenzát.

23.3. Kontrola tesnosti pneumatických spojov a kontrolná prehliadka zariadenia

Kontrola tesnosti

- Kontrolu tesnosti pneumatických rozvodov kompresora vykonať počas činnosti – tlakovania kompresora.
- Analyzátorom netesností alebo mydlovou vodou kontrolovať tesnosť spojov. Ak je indikovaná netesnosť, spoj je potrebné dotiahnuť, prípadne spoj utesniť.

Prehliadka zariadenia

- Skontrolovať stav agregátu kompresora - rovnomernosť chodu, primeraná hlučnosť.
- Kontrola činnosti ventilátorov - ventilátory musia byť v činnosti v predpísaných cykloch činnosti kompresora.
- Kontrola funkcie teplotného spínača (B2) – teplotný spínač zahriať na teplotu vyššiu ako 40 °C (napr. teplotnou pištoľou – Pozor, nepôsobiť vysokou teplotou na plastové diely v okolí, môže dôjsť k deformácii plastov). Po dosiahnutí teploty 40 °C sa uvedie do činnosti ventilátor E1 – kompresor musí byť pod napätím.
- Skontrolovať stav filtrov – filtre musia byť bez poškodenia a primerane čisté.
- Skontrolovať stav samotného agregátu, skontrolovať, či nie sú nečistoty v kľukovej skrini, príp. vôľa na kľukovom hriadeli.
- V prípade zistených nedostatkov chybné súčiastky vymeniť.

23.4. Kontrola elektrických spojov



Nebezpečenstvo úrazu elektrickým prúdom.

Kontrolu elektrických spojov výrobku vykonávať pri odpojení sieťovom napätí.

- Skontrolovať mechanickú funkčnosť hlavného vypínača.
- Skontrolovať neporušenosť prívodného kábla, pripojenie vodičov.
- Vizuálne skontrolovať pripojenie káblov na svorkovnicu.
- Skontrolovať všetky skrutkové spoje ochranného zelenožltého vodiča PE.
- Kontrola elektrických spojov AD sušiča – pozri servisný manuál.

23.5. Vypustenie kondenzátu



Riziko pošmyknutia na vlhkej podlahe v prípade pretečenia nádoby.

Pravidelne vyprázdniť nádobu na zber kondenzátu.



Nebezpečenstvo poranenia.

Odvod kondenzátu sa nesmie priamo pripojiť do odpadu!

Môže dôjsť k poraneniu okoloidúcej osoby.



Pred každým vyprázdňovaním nádoby je nutné kompresor vypnúť !



Nebezpečenstvo úrazu.

Vypúšťací ventil otvárať opatrne a postupne. Veľké otvorenie vypúšťacieho ventilu je sprevádzané výrazným akustickým prejavom a nekontrolovaným vystreknutím nahromadeného kondenzátu.

Kondenzát sa automaticky odlučuje do nádoby na zber kondenzátu.

- Kontrolovať naplnenie nádoby po značku 1l / 2l (podľa objemu nádoby) a vyprázdniť najneskôr raz za deň.

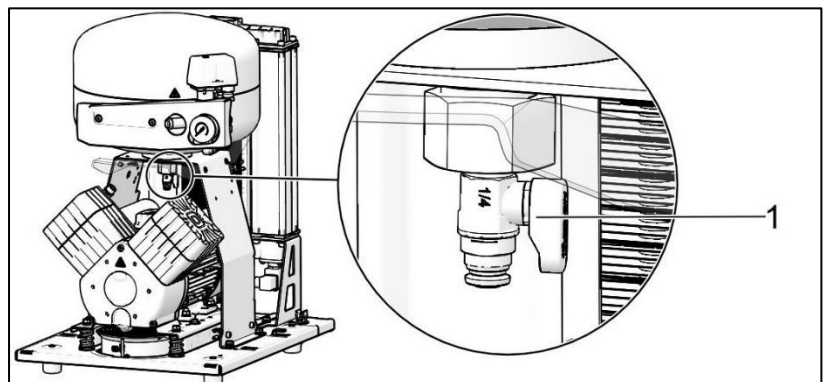


Obr. 18: Kontrola nádoby na zber kondenzátu

V prípade potreby je možné na odkalovanie vzdušníka použiť vypúšťací ventil (1) zo spodnej strany vzdušníka (Obr. 19).

Kompresor vypnúť zo siete a tlak vzduchu v zariadení znížiť na tlak max. 1bar, napr. odpustením vzduchu cez pripojené zariadenie.

Pri odkalovaní použiť hadičku, ktorej voľný koniec umiestniť do vhodnej nádoby a otvorením vypúšťacieho ventilu vypustiť kondenzát z nádrže.



Obr. 19: Vypustenie kondenzátu

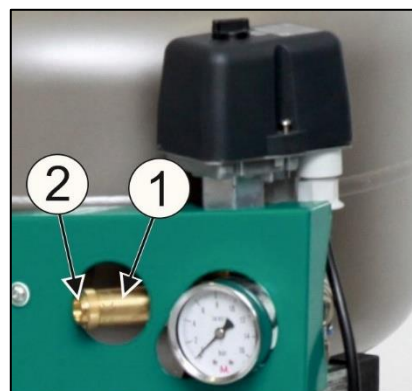


Pred nasledujúcimi kontrolami je potrebné:

- **Pri kompresore so skrinkou** – odistiť zámok na dverách a otvoriť dvere skrinky.

23.6. Kontrola poistného ventilu

- Skrutku (2) poistného ventilu (1) otočiť niekoľko otáčok doľava kým vzduch cez poistný ventil nevyfúkne.
- Poistný ventil nechať len krátko voľne vyfúknuť.
- Skrutku (2) otáčať doprava až na doraz, ventil musí byť teraz opäť zatvorený.



Obr. 20: Kontrola poistného ventilu



Nebezpečenstvo nebezpečného nárastu tlaku pri poškodení poistného ventilu.

Poistný ventil sa nesmie používať na odtlakovanie vzdušníka. Môže byť ohrozená funkcia poistného ventilu. U výrobcu je nastavený na povolený maximálny tlak, je preskúšaný a označený.

Poistný ventil sa nesmie prestavovať.



Nebezpečenstvo úrazu pri vypúšťaní stlačeného vzduchu.

Pri kontrole poistného ventilu je potrebné chrániť si zrak – použiť ochranné okuliare.

23.7. Výmena vstupného filtra a predfiltra

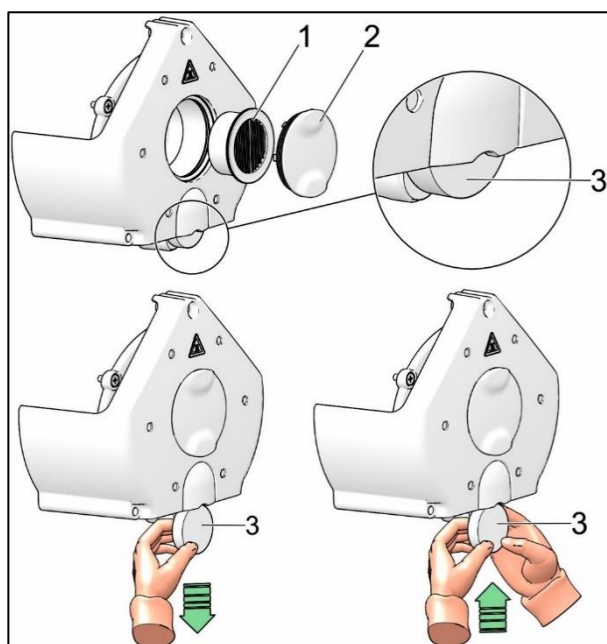
Vo veku kľukovej skrine kompresora sa nachádza vstupný filter (1).

Výmena vstupného filtra:

- Rukou vytiahnuť gumenú zátku (2).
- Znečistený vstupný filter (1) vybrať.
- Vložiť nový filter a nasadiť gumenú zátku.

Výmena predfiltra:

- Rukou vytiahnuť predfilter (3)
- Vymeniť za nový a vložiť späť



Obr. 21: Výmena vstupného filtra

23.8. Kontrola chladiča a ventilátora

Aby bolo sušenie účinné, je treba udržiavať celé zariadenie a najmä ventilátor kompresora, ventilátor chladiča a chladič v čistote (Obr. 1) – odsat' alebo stlačeným vzduchom prefúknuť usadený prach z povrchu chladiacich rebier a ventilátorov.

23.9. Kalibrácia snímača rosného bodu

Pre kompresory vybavené snímačom rosného bodu je odporúčaná kalibrácia snímača v intervale 2 roky. Kalibráciu vykonáva výrobca (Vaisala) a je potrebné ju objednať online.

Postup pri objednaní kalibrácie snímača:

- Navštíviť webovú stránku www.vaisala.com, v časti *Services* vybrať *Calibration and repair services*.
- Po zadaní typu snímača (typ snímača: **DMT143**) si bližšie vybrať typ kalibrácie a postupovať podľa inštrukcií.

23.10. Postup pri zapojení kompresora odpojeného od skrinky



Pred každou prácou pri údržbe alebo oprave kompresor nevyhnutne vypnite a odpojte zo siete (vytiahnuť sieťovú zástrčku).

Kompresor (bez skrinky) potrebuje pre správnu činnosť, aby prepojka / mostík (jumper) bola vždy osadená v svorkovnici (Obr. 22, Poz. B). Nahradzuje vtedy zapnutie vypínača umiestneného na skrinke.



Ak vo svorkovnici nie je osadená prepojka / mostík, nebude funkčný kompresor!

V prípade vybratia kompresora zo skrinky a odpojenia šnúry medzi kompresorom a skrinkou (vytiahnutím vidlice konektora), kompresor nie je funkčný. Preto je nutné najskôr vytvoriť prepoj na svorkovnici prepojkou / mostíkom (nahradí funkciu vypínača na skrinke) (Obr. 22).

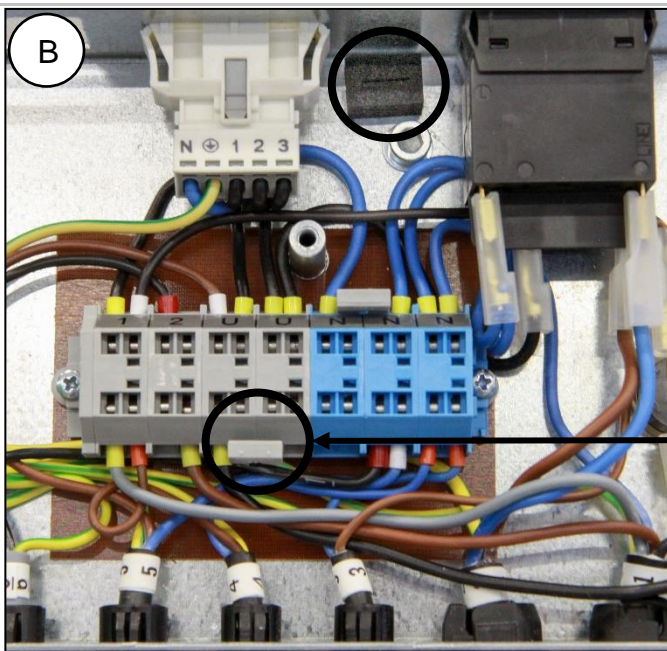
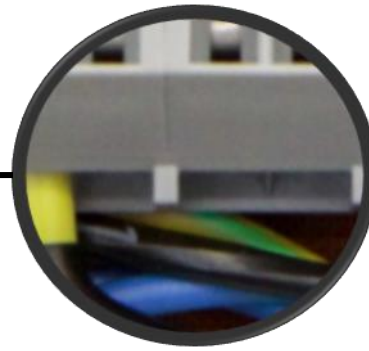
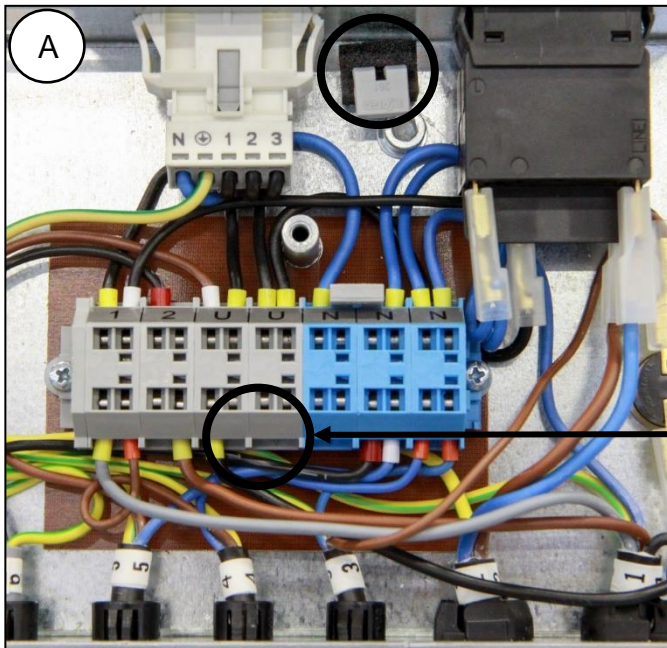
POSTUP:

Montáž prepojky / mostíka (postup A-B):

- Odpojiť výrobok od elektrickej siete vytiahnutím vidlice zo zásuvky.
- Demontovať kryt elektropanelu (na kompresore).
- Mostík nie je vo svorkovnici – A
- Zasuňte mostík do svorkovnice - B.
- Namontovať kryt elektropanelu späť.
- Pripojiť výrobok k elektrickej sieti.
- Kompresor uviesť do činnosti zapnutím vypínača na tlakovom spínači.

Kompresor - pri činnosti mimo skrinky **musí** mať vytvorený elektrický spoj prepojkou / mostíkom. (Obr. 22, Poz. B)

Obr. 22



230V

23.11. Postup pri zapojení kompresora k novej skrinke



Pred každou prácou pri údržbe alebo oprave kompresor nevyhnutne vypnite a odpojte zo siete (vytiahnuť sieťovú zástrčku).

Kompresor v skrinke potrebuje pre správnu činnosť, aby prepajka / mostík (jumper) nebola osadená v svorkovnici (Obr. 22, Poz. A). Vypínač umiestnený na skrinke zapína a vypína celý výrobok vrátane kompresora.



Ak vo svorkovnici je osadená prepajka / mostík, nebude funkčný vypínač na skrinke kompresora !

Ak ku kompresoru, ktorý predtým pracoval samostatne (kompresor bez skrinky), chceme pripojiť

novú skrinku, potom je nutné zrušiť prepój vo svorkovnici kompresora vykonaním postupu, vid'. ďalej. (Obr. 22) (Pozri tiež kap. 13.1 a 13.2).

POSTUP:

Demontáž prepojky / mostíka (postup B-A):

- Odpojiť výrobok od elektrickej siete vytiahnutím vidlice zo zásuvky.
- Demontovať kryt elektropanelu (na kompresore).
- Mostík je vo svorkovnici –B
- Vybrať mostík zo svorkovnice – A
- Namontovať kryt elektropanelu späť.
- Zasunúť kompresor do skrinky.
- Skrinku pripojiť ku kompresoru šnúrou s konektorom (1) do zásuvky (2). (Obr. 11)
- Odpojiť displej na AD sušiči a pripojiť displej na predných dverách skrinky (pozri servisný manuál).
- Pripojiť výrobok k elektrickej sieti
- Kompresor uviesť do činnosti zapnutím vypínača (2) na tlakovom spínači (1) a vypínača (5) na skrinke (Obr. 17)

Kompresor so skrinkou - pri činnosti v skrinke **nesmie** mať elektrický prepój. (Obr. 22, Poz. A)

Poznámka: **Mostík, ktorý nie je osadený vo svorkovnici, je potrebné uschovať pre prípad použitia kompresora bez skrinky alebo pre prípad servisného zásahu**, na určené miesto pri elektropaneli.

23.12. Čistenie a dezinfekcia plôch výrobku

Na čistenie a dezinfekciu vonkajších plôch výrobku používať neutrálne prostriedky.



Používanie agresívnych čistiacich a dezinfekčných prostriedkov obsahujúcich alkohol a chloridy môže viesť k poškodeniu povrchu a zmeny farby výrobku.

24. Odstavenie

V prípade, že sa kompresor nebude dlhší čas používať, odporúča sa vypustiť kondenzát z tlakovej nádoby a kompresor uviesť do prevádzky asi na 10 minút s otvoreným ventilom na vypúšťanie kondenzátu. Potom kompresor vypnúť vypínačom (2) na tlakovom spínači (1) (Obr. 17), uzatvoriť ventil na vypúšťanie kondenzátu a odpojiť zariadenie od elektrickej siete.

25. Likvidácia prístroja

- Odpojiť zariadenie od elektrickej siete.
- Vypustiť tlak vzduchu v tlakovej nádrži otvorením ventilu na vypúšťanie kondenzátu.
- Zariadenie zlikvidovať podľa miestne platných predpisov.
- Triedenie a likvidáciu odpadu zadať špecializovanej organizácii.
- Časti výrobku po skončení jeho životnosti nemajú negatívny vplyv na životné prostredie.

VYHLÁDÁVANIE PORÚCH A ICH ODSTRÁNENIE**Nebezpečenstvo úrazu elektrickým prúdom.****Pred zásahom do zariadenia je nutné odpojiť ho z elektrickej siete (vytiahnuť sieťovú zástrčku).****Nebezpečenstvo úrazu pri práci s pneumatickými časťami pod tlakom.****Pred zásahom do zariadenia je potrebné znížiť tlak vo vzdušníku a v pneumatickom systéme na nulu.****Činnosti súvisiace s odstraňovaním porúch smie vykonávať len kvalifikovaný odborník servisnej služby.**

Porucha	Možná príčina	Spôsob odstránenia
Kompresor sa nerozbíha	V tlakovom spínači nie je napätie	Kontrola napätia v zásuvke
		Kontrola stavu istiaceho vypínača - uviesť do stavu zapnuté „I“
		Uvoľnený vodič zo svorky - opraviť
		Kontrola elektrickej šnúry - chybnú vymeniť
	Prerušené vinutie motora, poškodená tepelná ochrana	Motor vymeniť, resp. previnúť vinutie
	Chybný kondenzátor	Kondenzátor vymeniť
	Zadretý piest alebo iná rotačná časť	Poškodené časti vymeniť
	Nespína tlakový spínač	Skontrolovať funkciu tlakového spínača
Vypínač skrinky nevypína kompresor	V skrinke je umiestnený kompresor, ktorý pracoval samostatne (vo svorkovnici kompresora je mostík)	Odstrániť mostík vo svorkovnici, pozri. kap. 23.11
Kompresor spína často	Únik vzduchu z pneumatického rozvodu	Kontrola pneumatického rozvodu – uvoľnený spoj utesniť
	Netesnosť spätného ventilu (SV)	SV vyčistiť, vymeniť tesnenia, vymeniť SV
	V tlakovej nádobe je väčšie množstvo skondenzovanej kvapaliny	Vypustiť skondenzovanú kvapalinu
	Nízka výkonnosť kompresora	Kontrola času naplnenia vzdušníka
Nízky tlak vo vzdušníku (kompresor je v činnosti trvale)	Vysoká spotreba vzduchu spotrebičom	Zníženie spotreby vzduchu Použitie výkonnejšieho kompresora
	Netesnosti v pneumatickom rozvode	Kontrola pneumatického rozvodu – netesné spoje utesniť
	Nízka výkonnosť agregátu	Oprava / výmena agregátu
	Porucha agregátu	Oprava / výmena agregátu
	Porucha sušiča	Výmena sušiča
Chod kompresora sa predlžuje	Únik vzduchu z pneumatického rozvodu	Kontrola pneumatického rozvodu – uvoľnený spoj utesniť
	Opotrebený piestny krúžok	Opotrebený piestny krúžok vymeniť
	Znečistený vstupný filter	Znečistený filter nahradiť novým
	Nesprávna funkcia solenoidného ventilu	Opraviť alebo vymeniť ventil alebo cievku

Kompresor je hlučný (klepanie, kovové zvuky)	Poškodené ložisko piesta, ojnice, ložisko motora	Poškodené ložisko vymeniť
	Uvoľnený (prasknutý) tlmiaci člen (pružina)	Poškodenú pružinu nahradiť
Sušič nesuší (vo vzduchu sa objavuje kondenzát) *	Nefunkčný ventilátor chladiča	Ventilátor vymeniť Preveriť prívod elektrickej energie
	Poškodený sušič	Vymeniť sušič
	Nefunkčný automatický odvod kondenzátu	Vyčistiť / vymeniť
Zhoršené sušenie – vysoký tlakový rosný bod (vo vzduchu sa objavuje kondenzát)	Nízky prevádzkový tlak	Zmenšiť odber vzduchu, skontrolovať výkonnosť zdroja stlačeného vzduchu, odstrániť prípadné netesnosti v rozvode
	Nefunkčný regeneračný solenoidný ventil	Skontrolovať funkčnosť cievky, v prípade poškodenia vymeniť Skontrolovať stav ventilu - ventil vyčistiť, pri pretrvávajúcich problémoch vymeniť
	Upchatá tryska regeneračného vzduchu	Trysku vyčistiť, prípadne vymeniť (pozri údržba výrobku)
	Nefunkčné ventilátory chladiča	Preveriť prívod elektrickej energie k ventilátorom Poškodený ventilátor vymeniť
	Znečistený chladič	Skontrolovať stav chladiča, v prípade znečistenia vyčistiť
	Upchaté tlmiče hluku na výstupe regeneračných ventilov	Skontrolovať stav tlmičov. V prípade veľkého prietokového odporu alebo výraznom znečistení vyčistiť, prípadne tlmiče vymeniť.
	Poškodený ventilátor Poškodený tlmič hluku	Poškodený ventilátor vymeniť Tlmič hluku vymeniť
Zvýšená hlučnosť sušiča	Únik vzduchu cez prepúšťací ventil na vstupe sušiča	Skontrolovať pripojenie sušiča do elektrickej siete a zapojenie sušiča, skontrolovať činnosť sušiča, skontrolovať pracovný tlak sušiča, chybné komponenty vymeniť.
	Vysoký pracovný tlak zdroja vzduchu	Skontrolovať nastavenie pracovného tlaku zdroja
Únik vzduchu cez prepúšťací ventil na vstupe sušiča	Nefunkčné vstupné solenoidné ventily sušiča	Skontrolovať funkčnosť cievky, v prípade poškodenia vymeniť Skontrolovať stav ventilu - ventil vyčistiť, pri pretrvávajúcich problémoch vymeniť
	Vysoký tlak v zariadení z dôvodu nadmerne zanesených filtrov	Skontrolovať stav vnútorných filtrov aj doplnkových filtračných súprav. Znečistené filtračné vložky vyčistiť, prípadne vymeniť.

)* Po poruche sušiča je nutné dôkladne vyčistiť vnútorný povrch vzdušníka a skondenzovanú kvapalinu dokonale odstrániť.

Po odstránení poruchy týkajúcej sa sušiča a po jeho spätnej montáži je odporúčané vykonať zrýchlenú regeneráciu sušiča - najlepšie nepretržitým chodom kompresora pri tlaku zvýšenom o 1 bar po dobu aspoň 1 hodiny a vykonať kontrolu sušenia vzduchu.



Na zabezpečenie ochrany pripojeného zariadenia pred poškodením je potrebné skontrolovať vlhkosť vypúšťaného vzduchu zo vzdušníka (pozri kap. Technické údaje).

26. INFORMÁCIE O OPRAVÁRENSKEJ SLUŽBE

Záručné a mimozáručné opravy zabezpečuje výrobca alebo organizácie a opravárske osoby, o ktorých informuje dodávateľ.

Upozornenie.

Výrobca si vyhradzuje právo vykonať na výrobku zmeny, ktoré však neovplyvnia podstatné vlastnosti prístroja.

OBSAH

DŮLEŽITÉ INFORMACE	352
1. SHODA S POŽADAVKY SMĚRNIC EVROPSKÉ UNIE	352
2. URČENÉ POUŽITÍ	352
3. KONTRAINDIKACE A VEDLEJŠÍ ÚČINKY	352
4. UPOZORNĚNÍ A SYMBOLY	352
5. UPOZORNĚNÍ	353
6. PODMÍNKY SKLADOVÁNÍ A PŘEPRAVY	355
POPIS VÝROBKU	356
7. PROVEDENÍ	356
8. DOPLŇKOVÉ VYBAVENÍ	356
9. FUNKCE VÝROBKU	357
TECHNICKÉ ÚDAJE	362
INSTALACE	371
10. INŠTALAČNÍ PODMÍNKY	371
11. SESTAVENÍ KOMPRESORU	371
12. PNEUMATICKÉ PŘIPOJENÍ	373
13. ELEKTRICKÉ ZAPOJENÍ	376
14. UMÍSTĚNÍ KOMPRESORU DO SKŘÍŇKY	377
15. PRVNÍ UVEDENÍ DO PROVOZU	379
16. PNEUMATICKÉ A ELEKTRICKÉ SCHÉMATA	380
OBSLUHA	386
17. ZAPNUTÍ KOMPRESORU	387
18. VYPNUTÍ KOMPRESORU	387
AD SUŠIČ	388
19. PRINCIP FUNKCE	388
20. UŽIVATELSKÉ ROZHRAŇÍ / NASTAVENÍ	389
21. ZÁKLADNÍ OBRAZOVKY	391
22. SIGNALIZACE SERVISU A PORUCHOVÝCH STAVŮ	393
ÚDRŽBA VÝROBKU	396
23. ÚDRŽBA VÝROBKU	396
24. Odstavení	404
25. LIKVIDACE PŘÍSTROJE	404
VYHLEDÁVÁNÍ PORUCH A JEJICH ODSTRANĚNÍ	405
26. INFORMACE O OPRAVÁRENSKÉ SLUŽBĚ	407
PŘÍLOHA	408
27. ZÁZNAM O INSTALACI	414

DŮLEŽITÉ INFORMACE

1. SHODA S POŽADAVKY SMĚRNIC EVROPSKÉ UNIE

Tento výrobek je ve shodě s požadavky Nařízení (EU) o zdravotnických prostředcích (MDR 2017/745) a při dodržení všech bezpečnostních pokynů je pro určené použití bezpečný.

2. URČENÉ POUŽITÍ

Kompresor se používá jako zdroj čistého, bezolejového stlačeného vzduchu pro napájení aktivních zdravotnických prostředků, kde stlačený vzduch vyhovuje svými parametry a vlastnostmi.



Vzduch kompresoru není vhodný pro připojení k přístrojům pro umělou ventilaci plic.

Jakékoliv použití výrobku nad rámec určeného použití se považuje za nesprávné. Výrobce nemůže nést odpovědnost za jakékoli škody nebo zranění způsobené nesprávným použitím.

3. KONTRAINDIKACE A VEDLEJŠÍ ÚČINKY

Nejsou známy žádné kontraindikace ani vedlejší účinky.

4. UPOZORNĚNÍ A SYMBOLY

V návodu k použití, na obalech a na výrobku se pro zvlášť důležité údaje používají následující názvy a symboly:



Výstraha



Pozor, nebezpečí úrazu elektrickým proudem



Kompresor je ovládán automaticky a může se spustit bez výstrahy



Pozor! Horký povrch.



Všeobecné upozornění



Přečtěte si návod k použití



Dodržujte návod k použití



Značka CE




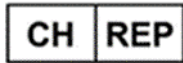


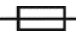






Zdravotnický prostředek



Sériové číslo



Artiklové číslo

	Jedinečný identifikátor prostředku
	Švýcarský zplnomocněný zástupce
	Švýcarský dovozce
	Připojení ochranného vodiče
	Pojistka
	Manipulační značka na obalu – KŘEHKÉ
	Manipulační značka na obalu – TÍMTO SMĚREM NAHORU
	Manipulační značka na obalu – CHRAŇTE PŘED DEŠTĚM
	Manipulační značka na obalu – TEPLOTNÍ OMEZENÍ
	Manipulační značka na obalu – OMEZENÉ STOHOVÁNÍ
	Značka na obalu – RECYKLOVATELNÝ MATERIÁL
	Výrobce

5. UPOZORNĚNÍ

Výrobek je navržen a vyroben tak, aby byl při stanoveném způsobu používání bezpečný pro uživatele i pro jeho okolí. Proto je zapotřebí se řídit následujícími upozorněními.

5.1. Všeobecná upozornění

NÁVOD K POUŽITÍ SI PŘED POUŽITÍM PEČLIVĚ PŘEČTĚTE A USCHOVEJTE PRO BUDOUCÍ POUŽITÍ!

- Tato uživatelská příručka obsahuje pokyny pro správnou montáž, používání a údržbu výrobku. Po pečlivém prostudování této příručky získáte informace potřebné ke správnému používání výrobku v souladu s jeho určeným použitím.
- Ponechejte si originální obal pro případné vrácení výrobku. Náležitou ochranu zařízení při přepravě umožní pouze originální obal. Pokud budete nezbytné výrobek vrátit během záruční doby, pak výrobce nenese odpovědnost za škody způsobené jeho nesprávným zabalením.
- Tato záruka se nevztahuje na škody vyplývající z používání příslušenství jinak než způsobem předepsaným nebo doporučeným výrobcem.
- Výrobce poskytuje záruku na bezpečnost, spolehlivost a funkčnost zařízení, pouze pokud:
 - montáž, nová nastavení, změny, rozšíření a opravy provede výrobce nebo organizace

schválená výrobcem,

- je zařízení používáno v souladu s uživatelskou příručkou.
- Uživatelská příručka odpovídá konfiguraci výrobku a je v souladu s bezpečnostními a technickými normami platnými v době jejího tisku. Výrobce si vyhrazuje veškerá práva na ochranu svých konfigurací, metod a názvů.
- Překlad této příručky byl zajištěn dle nejlepšího svědomí a vědomí. V případě jakýchkoliv nejasností je rozhodující znění slovenské verze.
- Návod k použití je původní, překlad je vyhotoven v souladu s nejlepšími znalostmi.

5.2. Všeobecná bezpečnostní upozornění

Výrobce navrhl a vyrobil výrobek tak, aby bylo při správném používání podle určení minimalizováno jakékoli nebezpečí. Výrobce považuje za svou povinnost uvést následující všeobecná bezpečnostní opatření.

- Při provozu výrobku je nutné respektovat zákony a místní předpisy platné v místě použití. V zájmu bezpečného průběhu práce jsou za dodržování předpisů odpovědní provozovatel a uživatel.
- Bezpečnost obsluhujícího personálu a bezporuchový provoz výrobku jsou zaručeny pouze při používání originálních částí výrobku. Používejte pouze příslušenství a náhradní díly uvedené v technické dokumentaci nebo vysloveně povolené výrobcem.
- Před každým použitím výrobku je nutné, aby se uživatel přesvědčil o řádné funkci a bezpečném stavu výrobku.
- Uživatel musí být obeznámen s obsluhou přístroje.
- Výrobek není určen pro provoz v prostorách, kde hrozí nebezpečí výbuchu.
- Pokud v přímé souvislosti s provozem přístroje dojde k nežádoucí události, uživatel je povinen o této události bezodkladně informovat svého dodavatele.
- V případě závažné nehody způsobené pomůckou by měl uživatel událost nahlásit výrobcí a příslušnému orgánu v členském státě, kde má uživatel bydliště.

5.3. Bezpečnostní upozornění k ochraně před elektrickým proudem

- Zařízení může být připojeno pouze k řádně nainstalované zásuvce s ochranným připojením.
- Před připojením výrobku je třeba zkontrolovat, zda hodnoty síťového napětí a síťového kmitočtu uvedené na výrobku odpovídají hodnotám napájecí sítě.
- Před uvedením výrobku do provozu je třeba zkontrolovat případné poškození připojovaných vzduchových a elektrických rozvodů. Poškozená pneumatická a elektrická vedení je nutné okamžitě vyměnit.
- Při nebezpečných situacích nebo technických poruchách je nutné výrobek ihned odpojit od sítě (vytáhnout síťovou zástrčku).
- Před zahájením jakýchkoli prací souvisejících s opravami a údržbou proveďte následující:
 - vytáhněte síťovou zástrčku ze zásuvky
 - vypusťte tlak z tlakové nádrže a odvzdušněte tlakové potrubí
- Instalaci výrobku smí provádět pouze kvalifikovaný odborník.

6. PODMÍNKY SKLADOVÁNÍ A PŘEPRAVY

Kompresor je ze závodu zasílán v přepravním obalu. Tento obal chrání výrobek před poškozením při přepravě.



Nebezpečí poškození pneumatických částí.

Kompresor se smí přepravovat pouze bez tlaku. Před přepravou je nezbytně nutné vypustit tlak vzduchu z tlakové nádrže a tlakových hadic a vypustit kondenzát ze vzdušníku a odlučovače kondenzátu na sušiči.



Originální obal uschovat pro případné vrácení zařízení. Při přepravě používat podle možnosti vždy originální obal kompresoru pro optimální ochranu výrobku. Jestliže bude nutné výrobek v průběhu záruční doby vrátit, výrobce neručí za škody způsobené nesprávným zabalením výrobku.



Kompresor přepravujte nastojato, vždy zajištěný přepravními fixačními prvky.



Během přepravy a skladování chraňte kompresor před vlhkostí, nečistotami a extrémními teplotami. Neskladujte v prostorech společně s chemickými látkami.



Je-li to možné, obalový materiál uschovejte. Pokud to možné není, zlikvidujte obalový materiál v souladu se zásadami ochrany životního prostředí. Přepravní kartón lze přidat ke starému papíru.



Zařízení je zakázáno skladovat a přepravovat mimo definované podmínky, viz níže.

6.1. Podmínky okolí při skladování a přepravě

Výrobky je možné skladovat v prostorách a dopravních prostředcích beze stop těkavých chemických látek za následujících podmínek:

Teplota

–25 °C až +55 °C, 24 h až +70 °C

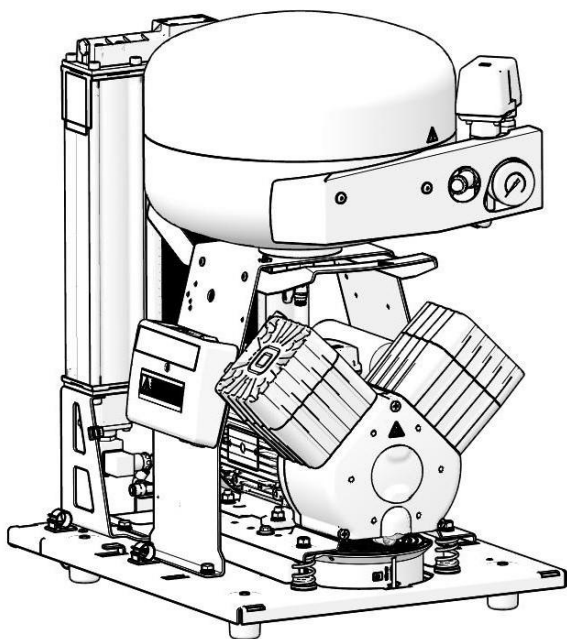
Relativní vlhkost

max. 90 % (bez kondenzace)

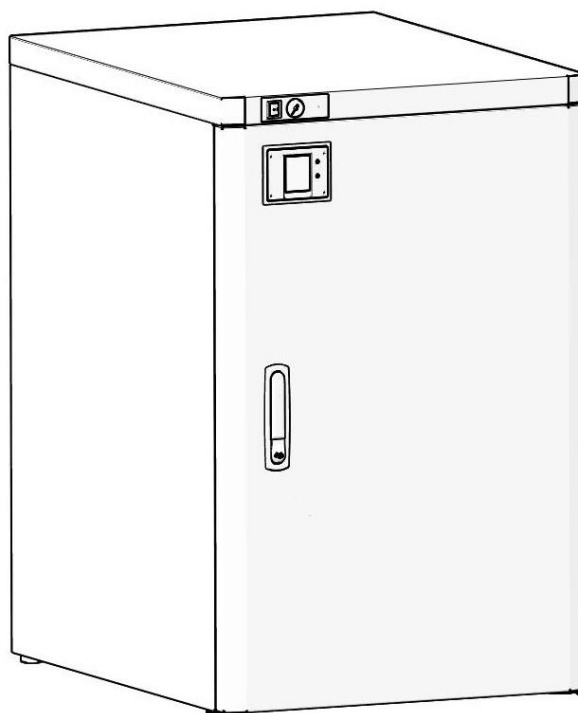
POPIS VÝROBKU**7. PROVEDENÍ**

Kompresory se vyrábí podle účelu v následujících provedeních:

DK50 2V/M	kompresor na základně se sušičem vzduchu
DK50 2V S/M	kompresor se sušičem vzduchu ve skřínce



DK50 2V/M



DK50 2V S/M

8. DOPLŇKOVÉ VYBAVENÍ

Doplňkové vybavení není předmětem základní dodávky, je nutno je objednat zvlášť.

Sada filtrů výstupního stlačeného vzduchu

Kompresor může být na základě požadavku vybaven sadou filtrů. Filtrační sada může být doplněna o regulátor tlaku vzduchu.



Případný požadavek na jiný stupeň filtrace vzduchu musí být dohodnut předem s dodavatelem a specifikován v objednávce.

Typ	Použití	Stupeň filtrace / μ m/	Artiklové číslo
FS 30F		1	
FS 30M	DK50 2V/M	1+0,1	na objednávku
FS 30S		1+0,01	
FS 30A		1+0,01+A**	

**) A – submikrofiltr s aktivním uhlím

Sada regulátoru k filtračním sadám

Kompresor může být na základě požadavku vybaven sadou regulátoru tlaku výstupního stlačeného

vzduchu. Regulátor vybírejte podle použití k filtrační sadě anebo samostatně. Regulátor zajistí konstantní tlak na výstupu z kompresoru.

Typ	Použití	Artiklové číslo
Regulátor komplet (k filtrační sadě)	DK50 2V/M	na objednávku
REG11 (samostatný)		447000001-077

Držáky k filtračním sadám



Ke každé sadě je nutné doobjednat vhodný držák.

Typ	Použití	Artiklové číslo
Držák na kompresor	DK50 2V/M	na objednávku

Zásuvka pro ekvipotenciální pospojování

Zásuvka umožňuje ochranné pospojování.

Typ	Použití	Název	Artiklové číslo
POAG-KBT6-EC	DK50 2VS/M	Zásuvka	033400075-000
FLEXI-S/POAG-HK6		Vodič (1 m)	034110083-000

9. FUNKCE VÝROBKU

9.1. Kompresor s adsorpčním sušičem

(Obr. 1) Agregát kompresoru (1) nasává atmosférický vzduch přes vstupní filtr (8) a stlačený ho dodává přes propojovací hadici do adsorpčního sušiče (38). Po vstupu do modulu sušiče se vzduch nejprve ochladí ve vestavěném chladiči (26) a dále přes odlučovač kondenzátu (32) vstupuje do aktivní komory (27) s adsorbentem, kde je vzduch vysušen. Část vzduchu směřuje do druhé, regenerované komory, kde tento vzduch odebírá vlhkost z adsorbentu a je uvolňován do okolí. Činnost komor se cyklicky přepíná. Vysušený vzduch prochází přes zpětný ventil (3) do vzdušníku (2). Účinnost sušení vzduchu (tlakový rosný bod) může být zjišťována pomocí snímače rosného bodu umístěného na vzdušníku.

Tlakovou nádobu není zapotřebí odkalovat.

9.2. Skříňka kompresoru

(Obr. 3) Skříňka zajišťuje kompaktní zakrytí kompresoru, čímž účinně tlumí hluk a zároveň zajišťuje dostatečnou výměnu chladicího vzduchu. Svým designem je vhodná k umístění v místnostech, kde je požadována snížená hladina hluku. Ventilátor (9) pod agregátem kompresoru zajišťuje chlazení kompresoru, je v provozu současně s motorem kompresoru anebo po zapnutí teplotního spínače při teplotě větší než 40 °C. Po ochlazení prostoru skříňky na méně než 32 °C se ventilátory automaticky vypnou.

Na předním panelu skříňky je umístěn displej sušiče (34).



Nebezpečí přehřátí kompresoru.

Je zakázáno vytvářet překážky pro vstup chladicího vzduchu do skříňky (po obvodu spodní části skříňky) a na výstupu teplého vzduchu v horní zadní části skříňky.

V případě umístění kompresoru na měkkou podlahu, například koberec, je nutné vytvořit mezeru mezi základnou a podlahou nebo skříňkou a podlahou, například podložení patek tvrdými podložkami kvůli zajištění dostatečného chlazení kompresoru.

Popis k obrázkům 1 - 3

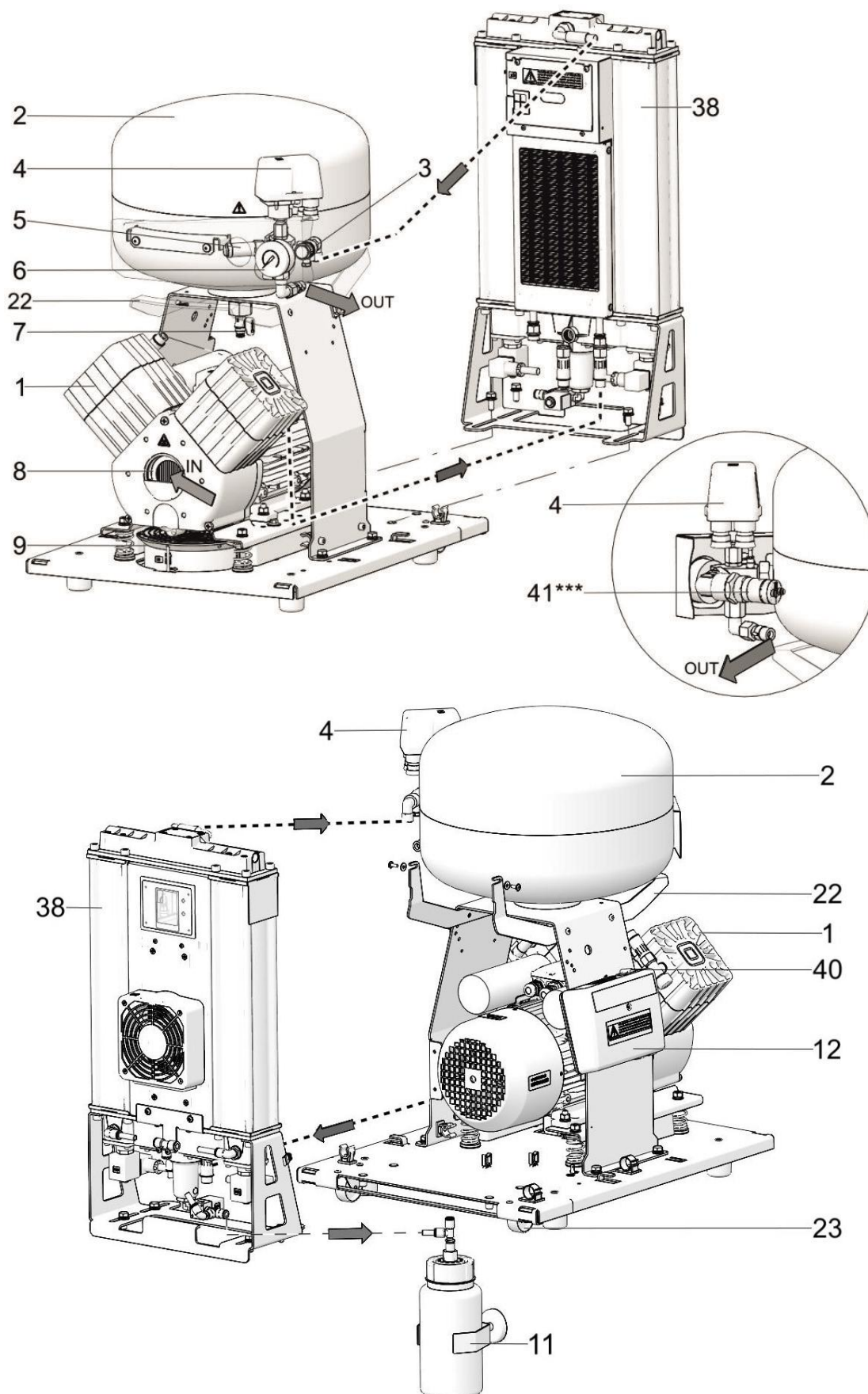
1	Agregát kompresoru	22	Madlo
2	Vzdušník	23	Kolečka
3	Zpětný ventil	24	Hadička manometru
4	Tlakový spínač	25	Výstupní modul
5	Pojistný ventil	26	Chladicí modul
6	Tlakoměr	27	Komora sušiče
7	Vypouštěcí ventil	28	Vstupní ventilový modul
8	Vstupný filtr	29	Vstup stlačeného vzduchu
9	Ventilátor kompresoru	30	Regenerační solenoidní ventily
10	Nádoba na sběr kondenzátu	31	Ventilátor sušiče
11	Magnetický držák	32	Odlučovač kondenzátu
12	Elektropanel	33	Solenoidní ventil odvodu kondenzátu
13	Ventilátor skříňky	34	*Displej sušiče
14	Dveřní kolík	35	Výstup vzduchu
15	Rektifikační šroub	36	**Průchodka
16	Zámek	37	Vývod z odlučovače kondenzátu a regeneračních ventilů
17	Spojovací výztuha	38	Adsorpční sušič
18	Doraz na stěnu	39	Konektor se šňůrou
19	Vypínač	40	Jisticí vypínač
20	Tlakoměr skříňky	41	***Snímač rosného bodu
21	Dveřní pant		

* Pozice 34 platí pro provedení bez skříňky DK50 2V/M, pro provedení se skříňkou DK50 2VS/M se na pozici 34 nachází krytka.

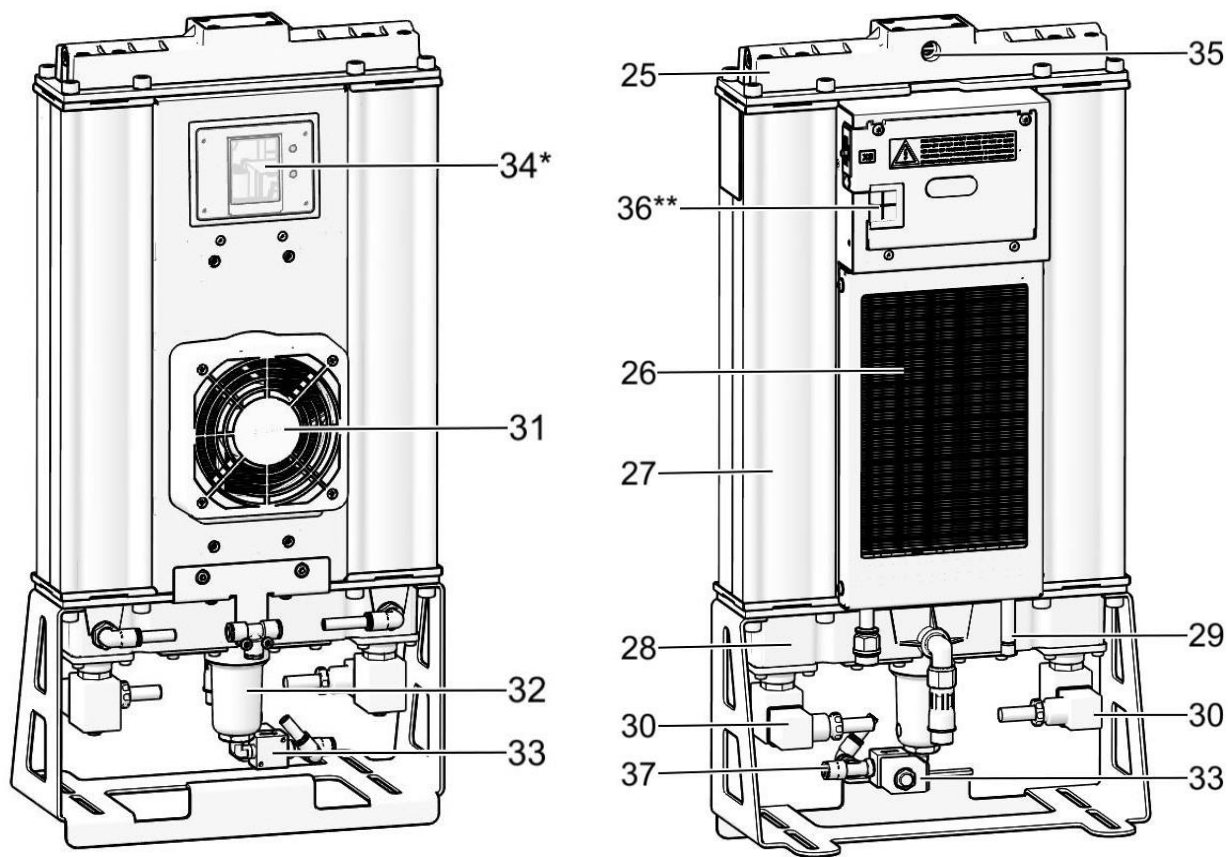
** V případě skříňkové verze je přes univerzální průchodka vyveden kabel pro připojení displeje (36) umístěného v předním panelu skříňky.

*** Platí pro provedení se snímačem rosného bodu.

Obr. 1: DK50 2V/M – Kompresor s adsorpčním sušičem vzduchu

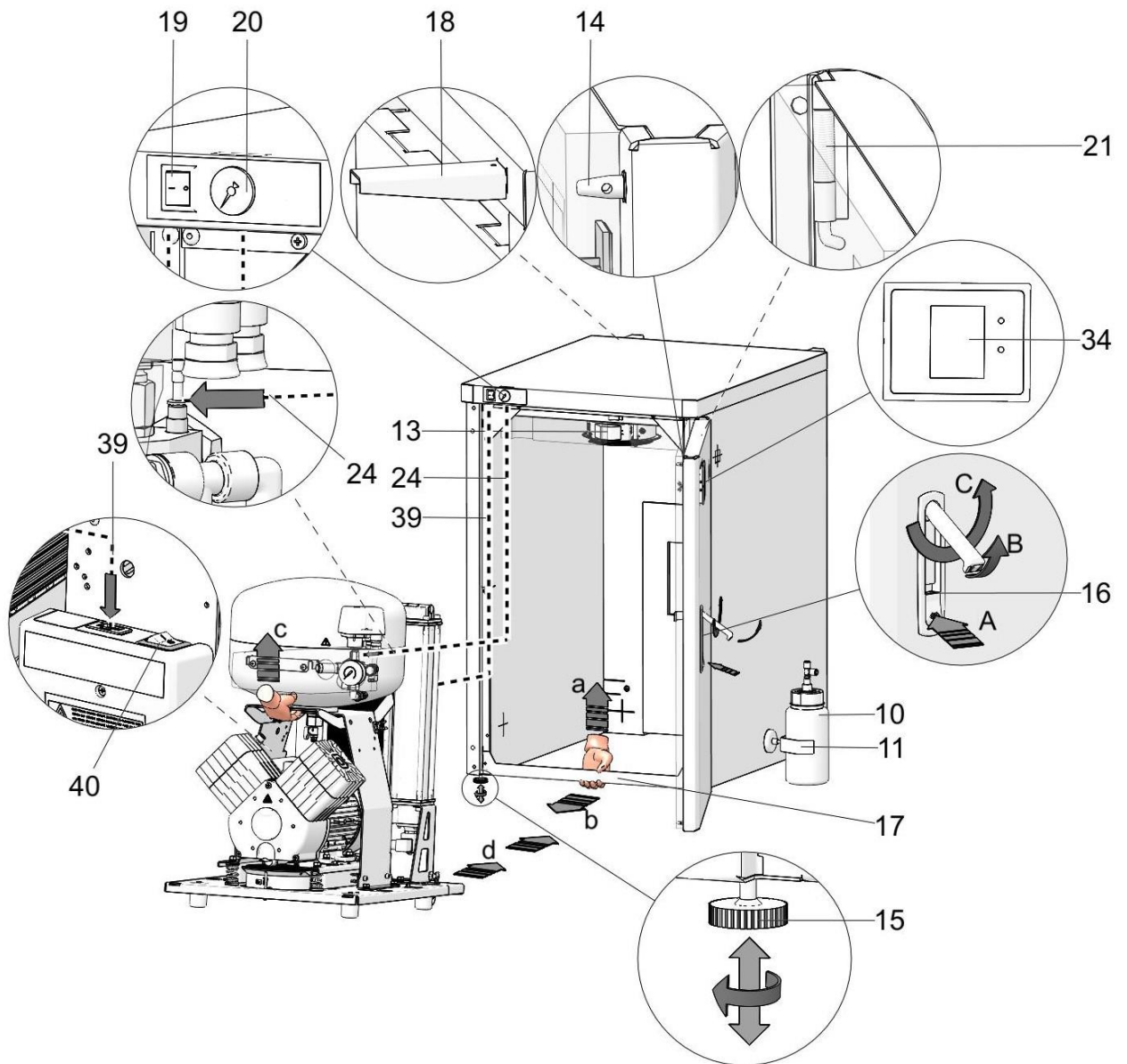


Obr. 2: – Adsorpční sušič

**ADM140/25**

- * Pozice 34 platí pro provedení bez skříňky DK50 2V/M, pro provedení se skříňkou DK50 2VS/M se na pozici 34 nachází krytka.
- ** V případě skříňkové verze je přes univerzální průchodku vyveden kabel pro připojení displeje (36) umístěného v předním panelu skříňky.

Obr. 3: – Skříňka



TECHNICKÉ ÚDAJE

Kompresory jsou konstruovány pro prostředí suchých a větraných vnitřních prostor za následujících podmínek:

Teplota	+5°C až +30°C
Relativní vlhkost	max. 50%

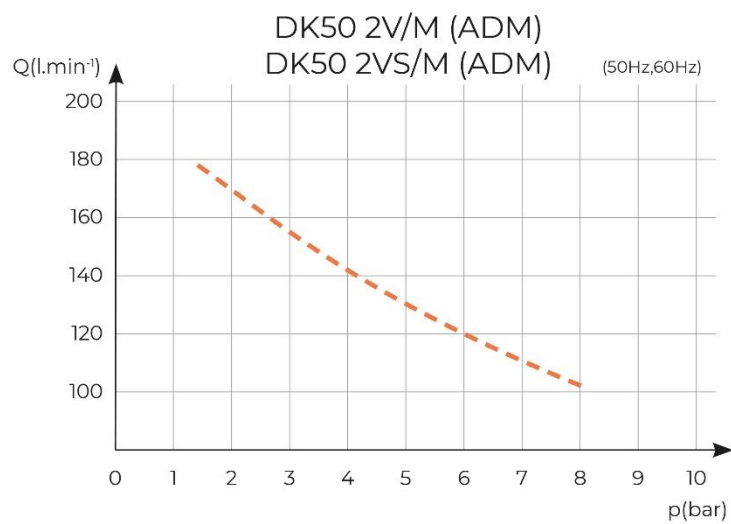
Pracovní tlak 6 – 8 bar		DK50 2V/M	DK50 2V S/M
Jmenovité napětí, frekvence ^{a)}	V, Hz	230, 50	230, 50
Výkon kompresoru při přetlaku 6 bar (FAD)	l/min	120	120
Pracovní tlak ^{b)}	bar	6,0 – 8,0	6,0 – 8,0
Jmenovitý proud	A	8,8	9,0
Výkon motoru	kW	1,2	1,2
Objem vzdušníku	l	25	25
Kvalita vzduchu – filtrace	µm	-	-
Přípustný provozní tlak pojistného ventilu	bar	11,0	11,0
Hladina hluku při přetlaku 5 bar (L _{pA})	dB	≤69,0	≤55,0
Provozní režim	%	S1-100	S1-100
Stupeň sušení - PDP při tlaku 7 bar	°C	≤ -20	≤ -20
Alarm nízkého tlaku sušiče	bar	< 3	< 3
Alarm vysokého tlaku sušiče	bar	> 9	> 9
Alarm vysokého rosného bodu sušiče	°C	> -20	> -20
Čas naplnění vzdušníku z 0 na 7 bar	s	90	90
Rozměry (netto) š x h x v	mm	460x620x720	560x720x880
Hmotnost netto ^{c)}	kg	69	110
Klasifikace podle ČSN EN 60601-1	Třída I		

^{a)} Provedení kompresoru uveďte při objednávce

^{b)} Jiný rozsah tlaku je třeba konzultovat s dodavatelem

^{c)} Hmotnost (váha) je informativní údaj, platí pouze pro výrobek bez jakéhokoli doplňkového vybavení

Závislost výkonnosti kompresoru od pracovního tlaku



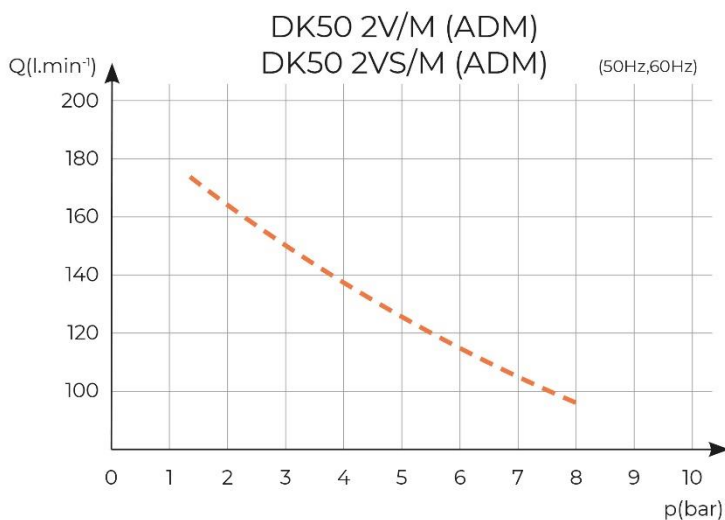
Pracovní tlak 6 – 8 bar		DK50 2V/M	DK50 2V S/M
Jmenovité napětí, frekvence ^{a)}	V, Hz	230, 50	230, 50
Výkon kompresoru při přetlaku 6 bar (FAD)	l/min	115	115
Pracovní tlak ^{b)}	bar	6,0 – 8,0	6,0 – 8,0
Jmenovitý proud	A	8,8	9,0
Výkon motoru	kW	1,2	1,2
Objem vzdušníku	l	25	25
Kvalita vzduchu – filtrace	μm	-	-
Přípustný provozní tlak pojistného ventilu	bar	11,0	11,0
Hladina hluku při přetlaku 5 bar (L _{pA})	dB	≤69,0	≤55,0
Provozní režim	%	S1-100	S1-100
Stupeň sušení - PDP při tlaku 7 bar	°C	≤ -40	≤ -40
Alarm nízkého tlaku sušiče	bar	< 3	< 3
Alarm vysokého tlaku sušiče	bar	> 9	> 9
Alarm vysokého rosného bodu sušiče	°C	> -40	> -40
Čas naplnění vzdušníku z 0 na 7 bar	s	100	100
Rozměry (netto) š x h x v	mm	460x620x720	560x720x880
Hmotnost netto ^{c)}	kg	69	110
Klasifikace podle ČSN EN 60601-1		Třída I	

^{a)} Provedení kompresoru uveďte při objednávce

^{b)} Jiný rozsah tlaku je třeba konzultovat s dodavatelem

^{c)} Hmotnost (váha) je informativní údaj, platí pouze pro výrobek bez jakéhokoli doplňkového vybavení

Závislost výkonosti kompresoru od pracovního tlaku



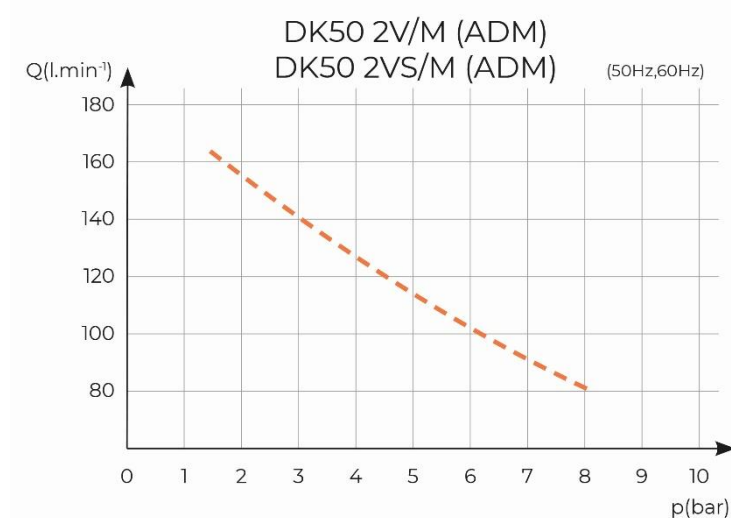
Pracovní tlak 6 – 8 bar		DK50 2V/M	DK50 2V S/M
Jmenovité napětí, frekvence ^{a)}	V, Hz	230, 50	230, 50
Výkon kompresoru při přetlaku 6 bar (FAD)	l/min	100	100
Pracovní tlak ^{b)}	bar	6,0 – 8,0	6,0 – 8,0
Jmenovitý proud	A	8,8	9,0
Výkon motoru	kW	1,2	1,2
Objem vzdušníku	l	25	25
Kvalita vzduchu – filtrace	μm	-	-
Přípustný provozní tlak pojistného ventilu	bar	11,0	11,0
Hladina hluku při přetlaku 5 bar (L _{pA})	dB	≤69,0	≤55,0
Provozní režim	%	S1-100	S1-100
Stupeň sušení - PDP při tlaku 7 bar	°C	≤ -70	≤ -70
Alarm nízkého tlaku sušiče	bar	< 3	< 3
Alarm vysokého tlaku sušiče	bar	> 9	> 9
Alarm vysokého rosného bodu sušiče	°C	-68	-68
Čas naplnění vzdušníku z 0 na 7 bar	s	110	110
Rozměry (netto) š x h x v	mm	460x620x720	560x720x880
Hmotnost netto ^{c)}	kg	69	110
Klasifikace podle ČSN EN 60601-1		Třída I	

^{a)} Provedení kompresoru uveďte při objednávce

^{b)} Jiný rozsah tlaku je třeba konzultovat s dodavatelem

^{c)} Hmotnost (váha) je informativní údaj, platí pouze pro výrobek bez jakéhokoli doplňkového vybavení

Závislost výkonnosti kompresoru od pracovního tlaku



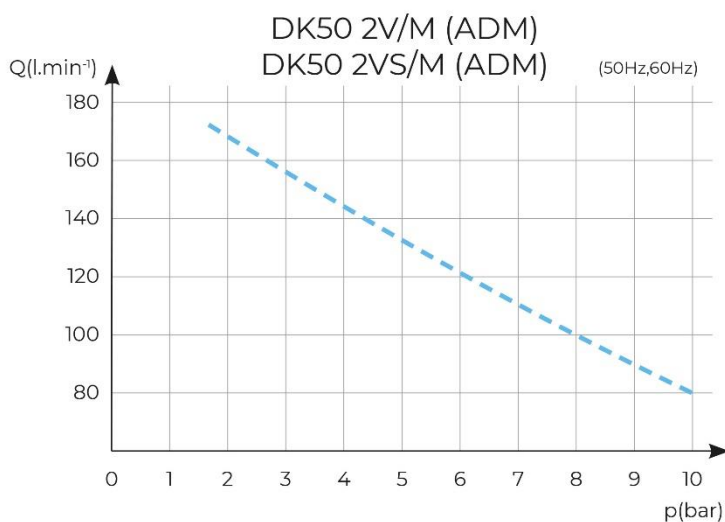
Pracovní tlak 8 – 10 bar		DK50 2V/M	DK50 2V S/M
Jmenovité napětí, frekvence ^{a)}	V, Hz	230, 50	230, 50
Výkon kompresoru při přetlaku 8 bar (FAD)	l/min	100	100
Pracovní tlak ^{b)}	bar	8,0 – 10,0	8,0 – 10,0
Jmenovitý proud	A	8,6	8,8
Výkon motoru	kW	1,2	1,2
Objem vzdušníku	l	25	25
Kvalita vzduchu – filtrace	μm	-	-
Přípustný provozní tlak pojistného ventilu	bar	11,0	11,0
Hladina hluku při přetlaku 5 bar (L _{pA})	dB	≤69,0	≤55,0
Provozní režim	%	S1-100	S1-100
Stupeň sušení - PDP při tlaku 7 bar	°C	≤ -20	≤ -20
Alarm nízkého tlaku sušiče	bar	< 3	< 3
Alarm vysokého tlaku sušiče	bar	> 11	> 11
Alarm vysokého rosného bodu sušiče	°C	> -20	> -20
Čas naplnění vzdušníku z 0 na 7 bar	s	115	115
Rozměry (netto) š x h x v	mm	460x620x720	560x720x880
Hmotnost netto ^{c)}	kg	71	112
Klasifikace podle ČSN EN 60601-1	Třída I		

^{a)} Provedení kompresoru uveďte při objednávce

^{b)} Jiný rozsah tlaku je třeba konzultovat s dodavatelem

^{c)} Hmotnost (váha) je informativní údaj, platí pouze pro výrobek bez jakéhokoli doplňkového vybavení

Závislost výkonosti kompresoru od pracovního tlaku



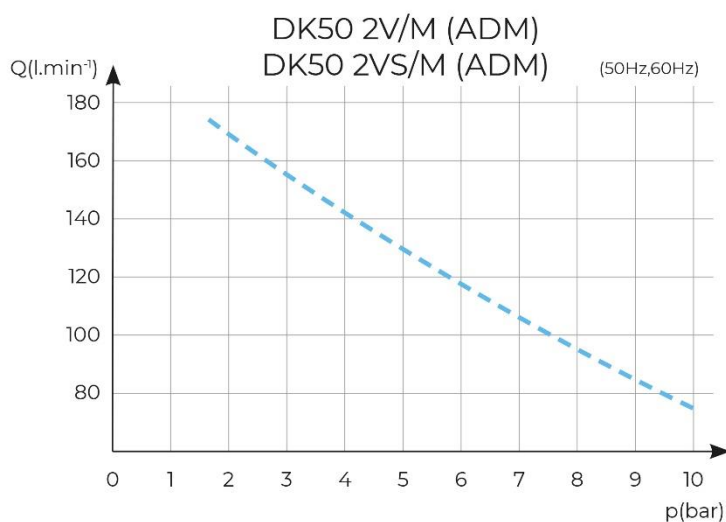
Pracovní tlak 8 – 10 bar		DK50 2V/M	DK50 2V S/M
Jmenovité napětí, frekvence ^{a)}	V, Hz	230, 50	230, 50
Výkon kompresoru při přetlaku 8 bar (FAD)	l/min	95	95
Pracovní tlak ^{b)}	bar	8,0 – 10,0	8,0 – 10,0
Jmenovitý proud	A	8,6	8,8
Výkon motoru	kW	1,2	1,2
Objem vzdušníku	l	25	25
Kvalita vzduchu – filtrace	μm	-	-
Přípustný provozní tlak pojistného ventilu	bar	11,0	11,0
Hladina hluku při přetlaku 5 bar (L _{pA})	dB	≤69,0	≤55,0
Provozní režim	%	S1-100	S1-100
Stupeň sušení - PDP při tlaku 7 bar	°C	≤ -40	≤ -40
Alarm nízkého tlaku sušiče	bar	< 3	< 3
Alarm vysokého tlaku sušiče	bar	> 11	> 11
Alarm vysokého rosného bodu sušiče	°C	> -40	> -40
Čas naplnění vzdušníku z 0 na 7 bar	s	120	120
Rozměry (netto) š x h x v	mm	460x620x720	560x720x880
Hmotnost netto ^{c)}	kg	71	112
Klasifikace podle ČSN EN 60601-1		Třída I	

^{a)} Provedení kompresoru uveďte při objednávce

^{b)} Jiný rozsah tlaku je třeba konzultovat s dodavatelem

^{c)} Hmotnost (váha) je informativní údaj, platí pouze pro výrobek bez jakéhokoli doplňkového vybavení

Závislost výkonnosti kompresoru od pracovního tlaku



Korekce FAD výkonosti podle nadmořské výšky

Výkonnost udávaná ve formě FAD („Free Air Delivery“) se vztahuje na podmínky:

Nadmořská výška	0 m. n. m.	Teplota	20 °C
Atmosférický tlak	101 325 Pa	Relativní vlhkost	0 %

Pro přepočet FAD výkonosti kompresoru v závislosti na nadmořské výšce je třeba aplikovat korekční faktor podle následující tabulky:

Nadm. výška [m. n. m.]	0–1500	1501–2500	2501–3500	3501–4500
Korekční faktor FAD	1	0,8	0,71	0,60

Prohlášení k elektromagnetické kompatibilitě

Přístroj vyžaduje speciální obezřetnost týkající se elektromagnetické kompatibility (EMC) a vyžaduje instalaci a uvedení do provozu v souladu s EMC informacemi uvedenými níže.

Návod a prohlášení výrobce - elektromagnetická vyzařování		
Podle IEC 60601-1-2: 2014/AMD:2020 - Zdravotnické elektrické přístroje. Část 1-2: Všeobecné požadavky na základní bezpečnost a nezbytnou funkčnost. Skupinová norma: Elektromagnetické rušení		
Přístroj je určen pro použití v elektromagnetickém prostředí specifikovaném níže. Zákazník nebo uživatel by měly zajistit, aby byl přístroj používán v takovém prostředí.		
Zkouška vyzařování	Shoda	Elektromagnetické prostředí - návod
RF vyzařování CISPR 11	Skupina 1	Přístroj využívá RF energii pouze pro svoji interní funkci. Proto jsou RF emise velmi nízké a pravděpodobně nezpůsobí rušení blízkých elektronických zařízení.
RF vyzařování CISPR 11	Třída B	Přístroj je vhodný pro použití ve všech institucích, včetně domácností a těch objektů, jež jsou přímo připojeny k veřejné nízkonapěťové napájecí síti, která zásobuje budovy používané pro účely bydlení.
Harmonická vyzařování IEC 61000-3-2	Třída A	
Kolísání napětí / blikavé vyzařování IEC 61000-3-3	Přístroj pravděpodobně nebude způsobovat blikavé vyzařování, protože proud po spuštění je přibližně konstantní.	

Návod a prohlášení výrobce - elektromagnetická odolnost

Podle IEC 60601-1-2: 2014/AMD1:2020 - Zdravotnické elektrické přístroje. Část 1-2: Všeobecné požadavky na základní bezpečnost a nezbytné provozní vlastnosti. Skupinová norma: Elektromagnetické rušení


Přístroj je určen pro použití v elektromagnetickém prostředí specifikovaném níže. Zákazník nebo uživatel by měly zajistit, aby byl přístroj používán v takovém prostředí.

Zkouška odolnosti	Zkušební úroveň IEC 60601-1-2	Vyhovující úroveň	Elektromagnetické prostředí - návod
Elektrostatický výboj (ESD) dle IEC 61000-4-2	±8 kV kontakt ±15 kV vzduch	±8 kV kontakt ±15 kV vzduch	Podlaha by měla být dřevěná, betonová nebo keramická. Pokud je podlaha pokryta syntetickým materiálem, musí být relativní vlhkost vzduchu alespoň 30%.
Rychlé elektrické přechodné jevy / skupiny impulzů IEC 61000-4-4	± 2 kV u napájecích vedení ± 1 kV u vstupního / výstupního vedení	± 2 kV 100 kHz frekvence opakování Připojené na síť	Jakost napájecí sítě by měla být taková, jenž je typická pro komerční nebo nemocniční prostředí.
Rázový impulz IEC 61000-4-5	± 1 kV rozdílový režim ± 2 kV společný režim	± 1 kV L-N ± 2 kV L-PE; N-PE Připojené na síť	Jakost napájecí sítě by měla být taková, jenž je typická pro komerční nebo nemocniční prostředí.
Pokles napětí, krátké přerušení a změny napětí na vstupních elektrických rozvodech IEC 60601-4-11	UT = 0%, 0,5 cyklu (Při 0, 45, 90, 135, 180, 225, 270 a 315 °) UT = 0%, 1 cyklus UT = 70% 25/30 cyklů (při 0 °) UT = 0%, 250/300 cyklů	UT => 95%, 0,5 cyklu (Při 0, 45, 90, 135, 180, 225, 270 a 315 °) UT => 95%, 1 cyklus UT = 70% (30% pokles UT), 25 (50Hz) / 30 (60Hz) cyklů (při 0 °) UT => 95%, 250 (50Hz) / 300 (60Hz) cyklů	Jakost napájecí sítě by měla být taková, jenž je typická pro komerční nebo nemocniční prostředí. Přístroj se automaticky zastaví a restartuje při každém poklesu napětí. V tomto případě nedochází k nepřijatelnému poklesu tlaku.
Magnetické pole síťového kmitočtu (50/60 Hz) podle IEC 61000-4-8	30 A/m	30 A/m	Magnetické pole síťového kmitočtu by měla odpovídat typickým hodnotám, které se nacházejí v komerčním nebo nemocničním prostředí.
Vyzařovaná pole v těsné blízkosti podle normy IEC 61000-4-39	30 A/m	30 A/m	Magnetické pole síťového kmitočtu by měla odpovídat typickým hodnotám, které se nacházejí v komerčním nebo nemocničním prostředí.
POZNÁMKA: UT je AC síťové napájení před aplikací zkušební úrovně.			

Návod a prohlášení výrobce - elektromagnetická odolnost

Podle IEC 60601-1-2: 2014/AMD1:2020 - Zdravotnické elektrické přístroje. Část 1-2: Všeobecné požadavky na základní bezpečnost a nezbytné provozní vlastnosti. Skupinová norma: Elektromagnetické rušení

Přístroj je určen pro použití v elektromagnetickém prostředí specifikovaném níže. Zákazník nebo uživatel by měly zajistit, aby byl přístroj používán v takovém prostředí.

Zkouška odolnosti	Zkušební úroveň IEC 60601-1-2	Vyhovující úroveň	Elektromagnetické prostředí - návod
Vedený vysoký kmitočet IEC 61000-4-6	3 Vrms 150 kHz až 80MHz	3 Vrms	Přenosné a mobilní vysokofrekvenční sdělovací zařízení se nemají používat blíže jakékoliv části přístroje včetně kabelů, než je doporučená oddělovací vzdálenost vypočtená pomocí rovnice vhodné pro kmitočet vysílače. Doporučená oddělovací vzdálenost $d=1,2\sqrt{P}$ $d=1,2\sqrt{P}$, 80 MHz až 800 MHz $d=2,3\sqrt{P}$, 800 MHz až 2,7 GHz kde P je maximální jmenovitý výstupní výkon vysílače ve wattch (W) podle údajů výrobce vysílače a d je doporučená oddělovací vzdálenost v metrech (m).
Vyzařovaný vysoký kmitočet IEC 61000-4-3	3 V/m 80 MHz až 2,7 GHz	3 V/m	Intenzity pole ze stálých vysokofrekvenčních vysílačů, určené přehledem elektromagnetické charakteristiky daného místa ^a , by měla být v každém kmitočtovém rozsahu ^b nižší než vyhovující úroveň.
Blízké pole od RF bezdrátových komunikačních přístrojů IEC 61000-4-3	9 až 28 V/m 15 určených frekvencí (380 až 5800 MHz)	9 až 28 V/m 15 určených frekvencí (380 až 5800 MHz)	V okolí přístroje označeného následující značkou může dojít k rušení: 

POZNÁMKA 1 Při 80 MHz a 800 MHz platí vyšší kmitočtový rozsah.

POZNÁMKA 2 Tento návod nemusí platit ve všech situacích. Šíření elektromagnetického vlnění je ovlivněno pohlčováním a odrazem od staveb, předmětů a lidí.

^a Intenzity pole ze stálých vysílačů, jako jsou základnové stanice u rádiových (buňkových/bezšňůrových) telefonů a pozemních mobilních i amatérských radiostanic, u AM a FM rádiového a televizního vysílání, nemohou být přesně teoreticky předpovídány. K posouzení elektromagnetického prostředí pro stálé vysokofrekvenční vysílače by měl být zvážen přehled o elektromagnetické charakteristice v místě. Pokud naměřená intenzita pole na místě, na kterém je přístroj používán, překročí výše uvedenou příslušnou vysokofrekvenční vyhovující úroveň, je třeba přístroj pozorovat, aby bylo možné ověřit jeho normální provoz. Neobvyklé chování si může vyžádat dodatečná opatření, např. jiné nasměrování nebo přemístění přístroje.

^b V celém kmitočtovém rozsahu od 150 kHz do 80 MHz by intenzita pole měla být nižší než 3 V/m.

INSTALACE**Nebezpečí nesprávné instalace**

Kompresor smí instalovat a poprvé uvést do provozu pouze kvalifikovaný odborník. Jeho povinností je zaškolit obsluhující personál o používání a údržbě zařízení. Instalaci a zaškolení obsluhy potvrdí zápisem v dokumentu o instalaci zařízení. (Viz záruční list)

10. INŠTALAČNÍ PODMÍNKY

- Kompresor se smí instalovat a provozovat pouze v suchých, dobře větraných a bezprašných prostorách, kde parametry prostředí odpovídají požadavkům uvedeným v kap. Technické údaje.

**Nebezpečí poškození zařízení.**

Kompresory nesmí být provozovány ve venkovním ani ve vlhkém nebo mokřém prostředí.

**Nebezpečí výbuchu.**

Je zakázáno používat zařízení v prostorech s výskytem výbušných plynů, prachu nebo hořlavých kapalin.

- Kompresor se musí instalovat tak, aby byl snadno přístupný pro obsluhu a údržbu a aby byl přístupný výrobní štítek.
- Kompresor musí stát na rovném a dostatečně stabilním podkladu (pozor na hmotnost kompresoru, viz kap. Technické údaje).



Při prvním uvedení do provozu můžete dočasně (na krátkou dobu) cítit charakteristický pach nového výrobku. Tento pach je pouze krátkodobý a nebrání řádnému používání výrobku. Po instalaci zajistěte větrání místnosti.

11. SESTAVENÍ KOMPRESORU**11.1. Manipulace a odjištění**

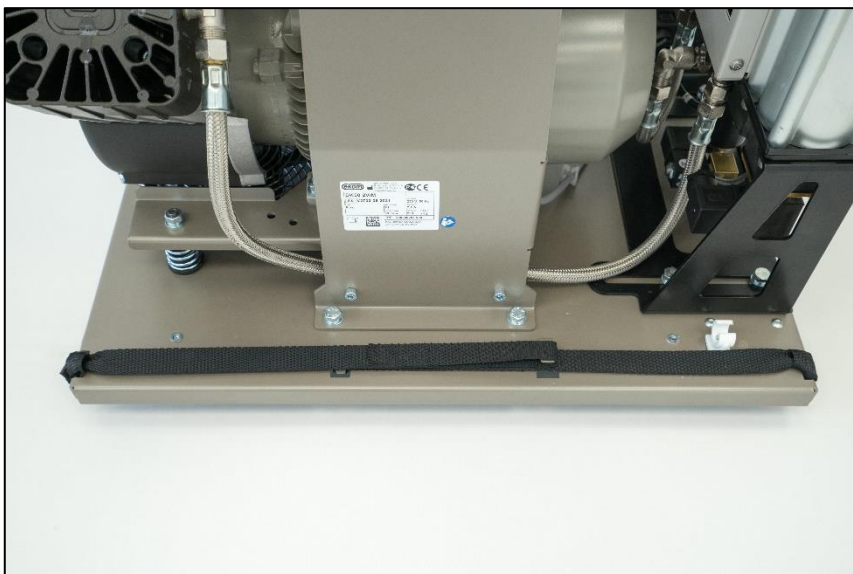
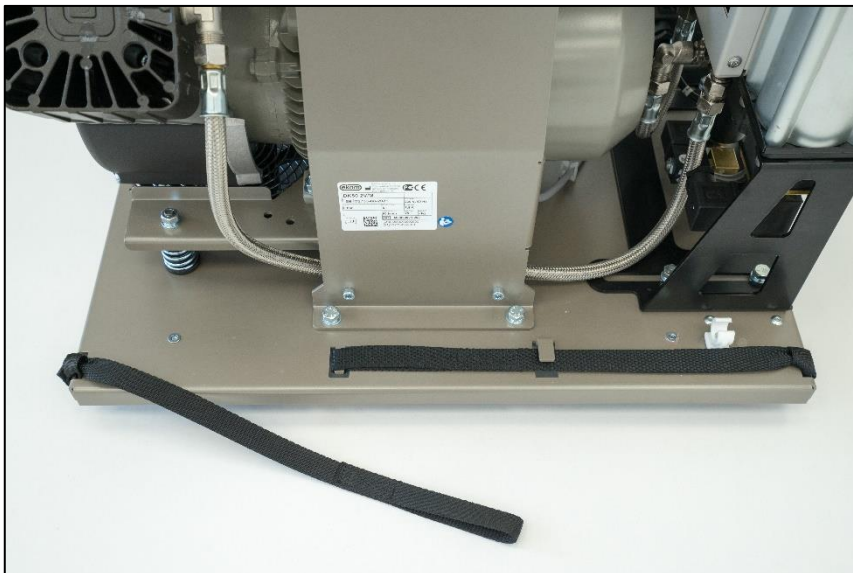
- Vybalit kompresor z obalu.
- U kompresoru se skříňkou otevřete přední dvířka a odstraňte spojovací lištu (17) v přední spodní části. Sejměte skříňku z kompresoru.
- Uložit kompresor na místo provozu. (Obr. 4).



Při manipulaci s kompresorem používejte k uchopení manipulační popruhy a madlo kompresoru. K uchopení nepoužívejte jiné části kompresoru (agregát, chladič apod.).



Při manipulaci se zařízením je potřeba přizpůsobit počet osob podle hmotnosti zařízení.

Obr. 4: Manipulace s kompresorem**Zajištění popruhů po ustavení kompresoru**

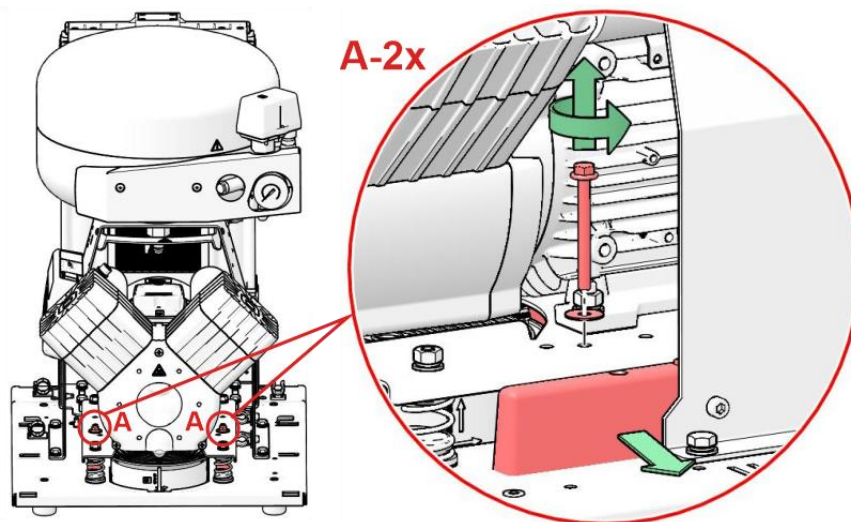
- Odstraňte přepravní zajištění agregátů (Obr. 5).



Před prvním uvedením do provozu se musí odstranit všechny jistící prvky sloužící k fixaci zařízení během dopravy - jinak hrozí poškození výrobku.

Fixační prvky agregátů odstraňte až po ustavení a vyvážení kompresoru na místě konečného uložení.

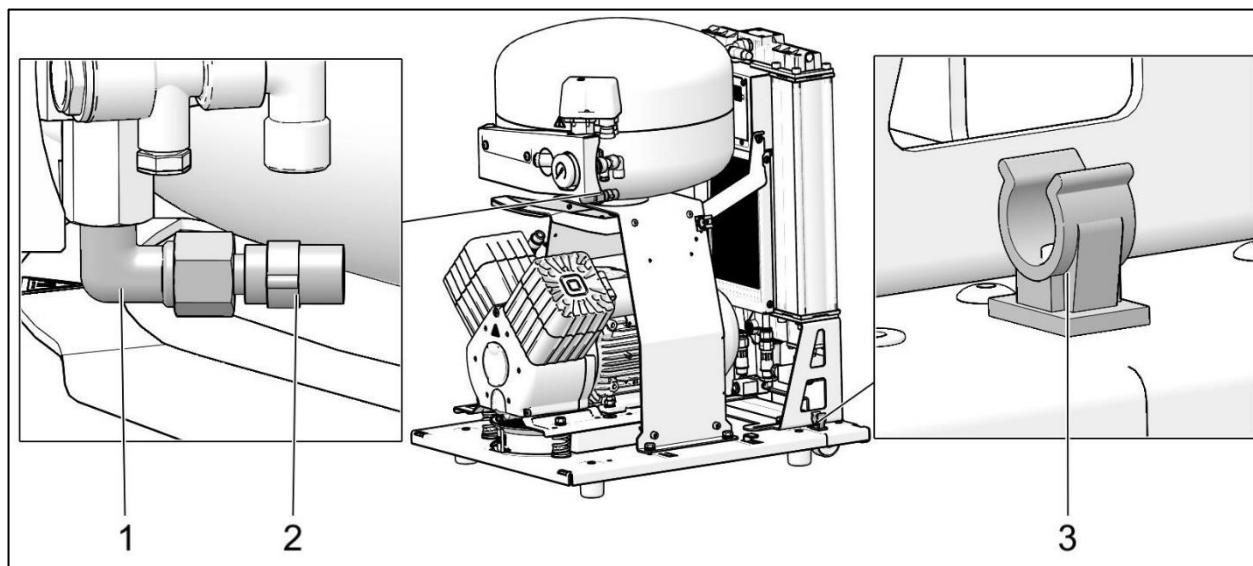
Obr. 5: Odjištění agregátu



12. PNEUMATICKÉ PŘIPOJENÍ

12.1. Připojení k výstupu stlačeného vzduchu

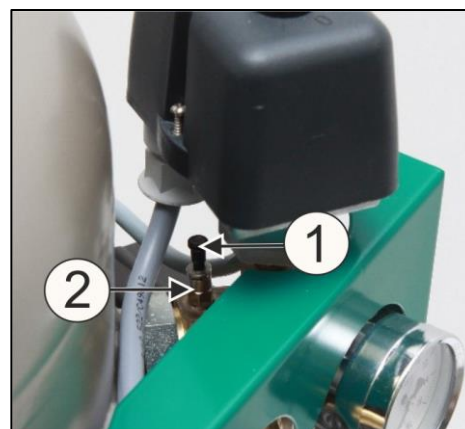
- Na výstup stlačeného vzduchu (1) kompresoru připojte tlakovou hadici (2) (Obr. 6).
- Zajistěte tlakovou hadici v příchytce (3) (Obr. 6).
- U kompresoru ve skřínce vyvedte tlakovou hadici přes otvor v zadní stěně skříňky (Obr. 8).



Obr. 6: Připojení tlakové hadice

12.2. Připojení manometru skříňky ke kompresoru

- Odstraňte zátku (1) ze šroubení (2) na pneumatickém bloku kompresoru. Hadičku manometru skříňky připojte ke šroubení.



Obr. 7: Připojení manometru skříňky ke kompresoru

12.3. Připojení nádoby na kondenzát

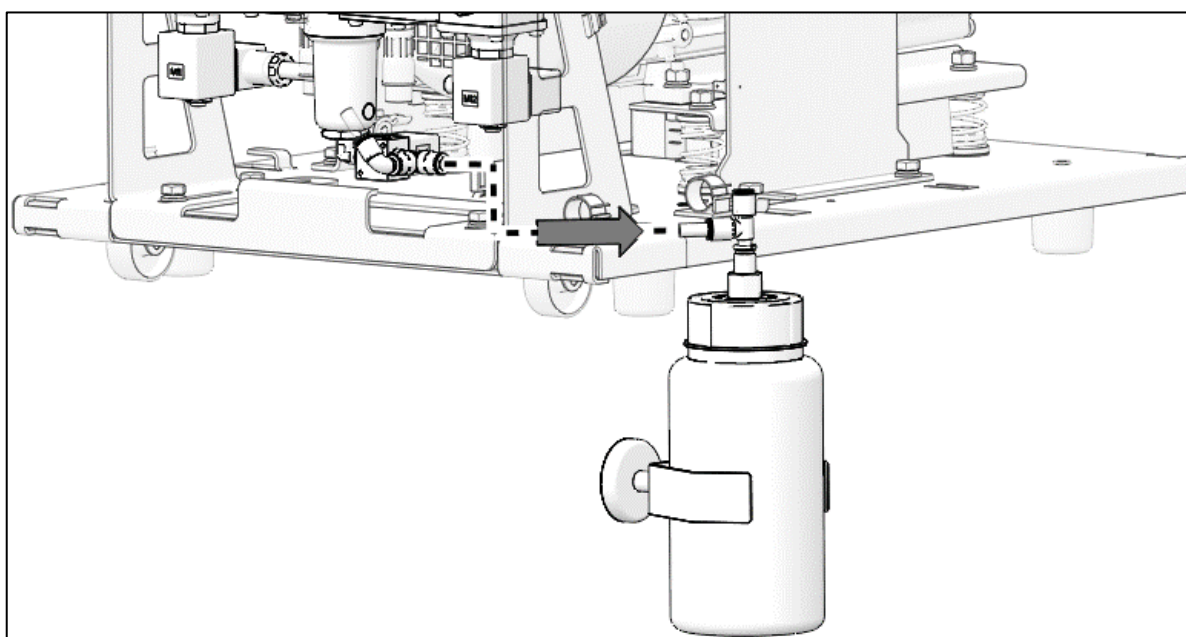
- Nádoby na sběr kondenzátu propojte hadičkou s výstupem kondenzátu na sušiči. (Obr. 8)
- Do volného vstupu nádoby na kondenzát vložit zátku ze základního vybavení.
- U kompresoru ve skříňce vyvedte hadičky přes otvor v zadní stěně skříňky a připojte k nádobě. Nádoby na sběr kondenzátu uchyťte na boční panel nebo na zadní panel skříňky.

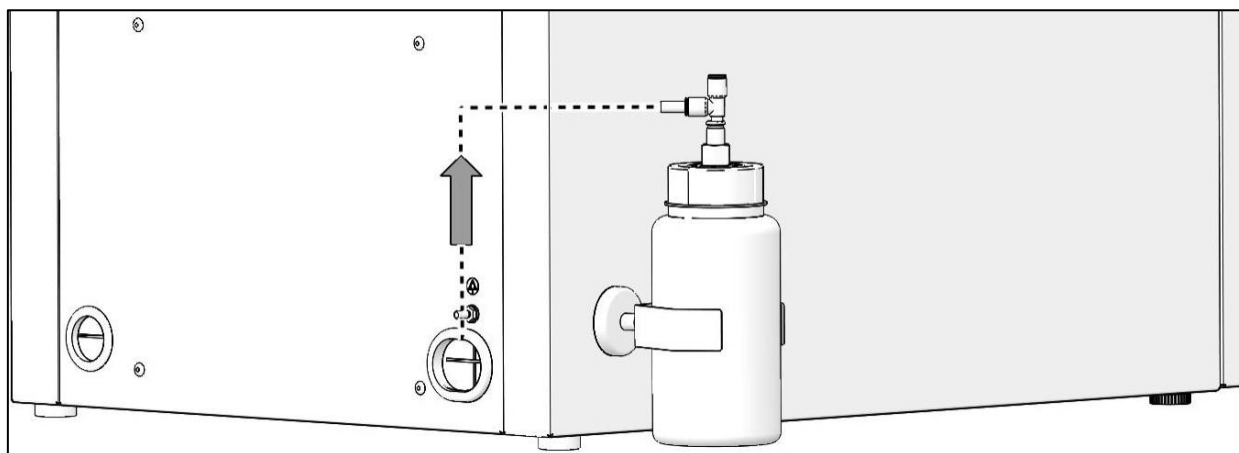


Nebezpečí poranění.

Odvod kondenzátu se nesmí přímo připojit do odpadu! Může dojít k poranění kolemjdoucí osoby!

Obr. 8: Připojení nádoby na kondenzát





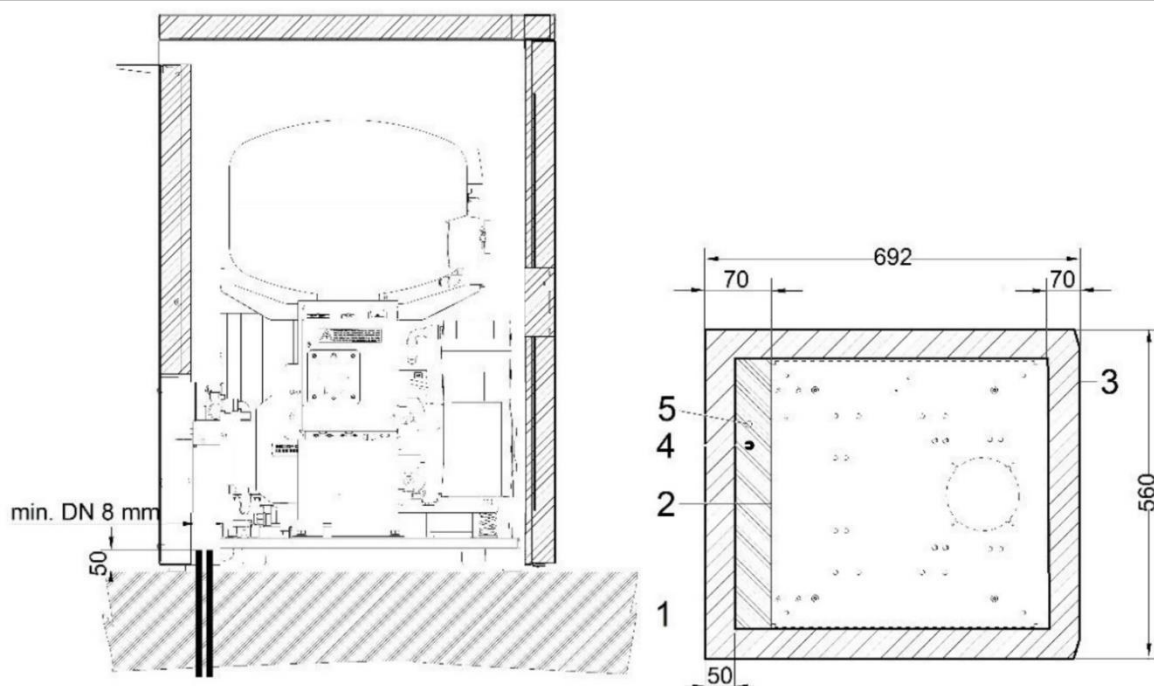
Nebezpečí poškození pneumatických částí.

Vzduchové hadice nesmí být zlomené.

12.4. Instalace do podlahy

Kompresor zapojte pomocí předem připravených rozvodů v podlaze podle instalačního plánu.

Obr. 9: Instalace podlahy



Popis k Obr. 9:

- | | |
|------------------------|--------------------------------------|
| 1. Obrys skříňky | 4. Přípojka stlačeného vzduchu G3/8" |
| 2. Obrys základny | 5. Přívod napájecího napětí |
| 3. Přední část – dveře | 230 V/50(60) Hz |
| | 3Gx1.0x4000 |

- Všechny rozměry jsou v milimetrech
- Vzdálenost od stěny min. 100 mm

13. ELEKTRICKÉ ZAPOJENÍ

- Výrobek se dodává s kabelem zakončeným zástrčkou s ochranným kontaktem.
- Zásuvka musí být z bezpečnostních důvodů dobře přístupná, aby bylo možné výrobek v případě nebezpečí bezpečně odpojit od sítě.
- Příslušný proudový okruh musí být v rozvodu elektrické energie jištěný minimálně na 16 A.



Nebezpečí úrazu elektrickým proudem.

Je nezbytně nutné respektovat místní elektrotechnické předpisy. Napětí sítě a frekvence musí souhlasit s údaji na štítku přístroje.



Nebezpečí požáru a úrazu elektrickým proudem.

Elektrický kabel se nesmí dotýkat horkých částí kompresoru. Riziko úrazu elektrickým proudem!



Nebezpečí požáru a úrazu elektrickým proudem.

Elektrický kabel pro připojení k elektrické síti ani vzduchové hadice nesmějí být zlomené.



Skříňka kompresoru DK50 2V S/M, provedení 6–8 bar, je osazena chladicím ventilátorem a vypínačem. Skříňku je třeba připojit pomocí šňůry s konektorem ke konektoru na elektropanelu kompresoru.

- Kolík pro ekvipotenciální pospojování $\varnothing 6$ mm (1) propojte s rozvodem podle platných elektrotechnických předpisů.
- Zásuvka ekvipotenciálního pospojování (2) je doplňkové příslušenství a není součástí základního balení výrobku



Obr. 10: Ekvipotenciální pospojování

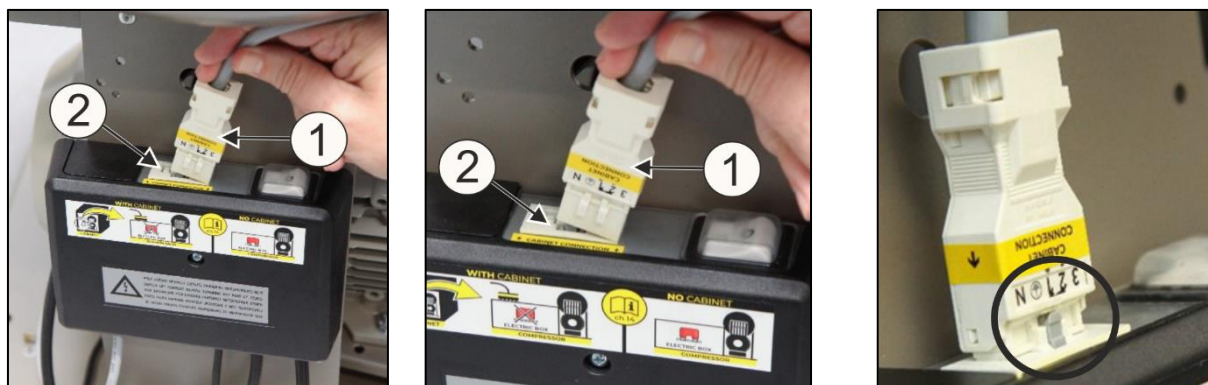
13.1. Zapojení kompresoru bez skříňky

- Síťovou zástrčku zapojte do síťové zásuvky.
- Kompresor je připravený k provozu.

13.2. Zapojení kompresoru ve skříňce

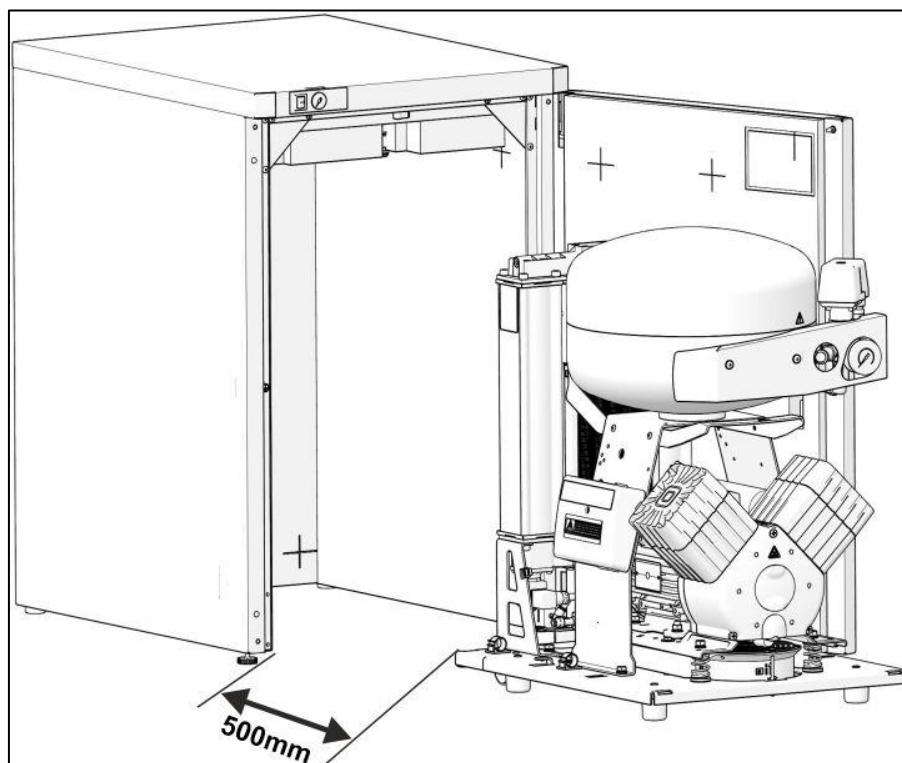
- U kompresoru ve skříňce vyvedte síťový kabel přes otvor v zadní stěně skříňky.
- Skříňku elektricky připojte ke kompresoru pomocí kabelu s konektorem (1) do zásuvky (2). (Obr. 11)
- Skříňku elektricky odpojte od kompresoru vytáhnutím konektoru (1) ze zásuvky s uvolněnou západkou.
- Připojte displej v předních dveřích skříňky, šňůru k displeji zafixujte v přichytkách. (Obr. 16)

Obr. 11: Zapojení skříňky ke kompresoru



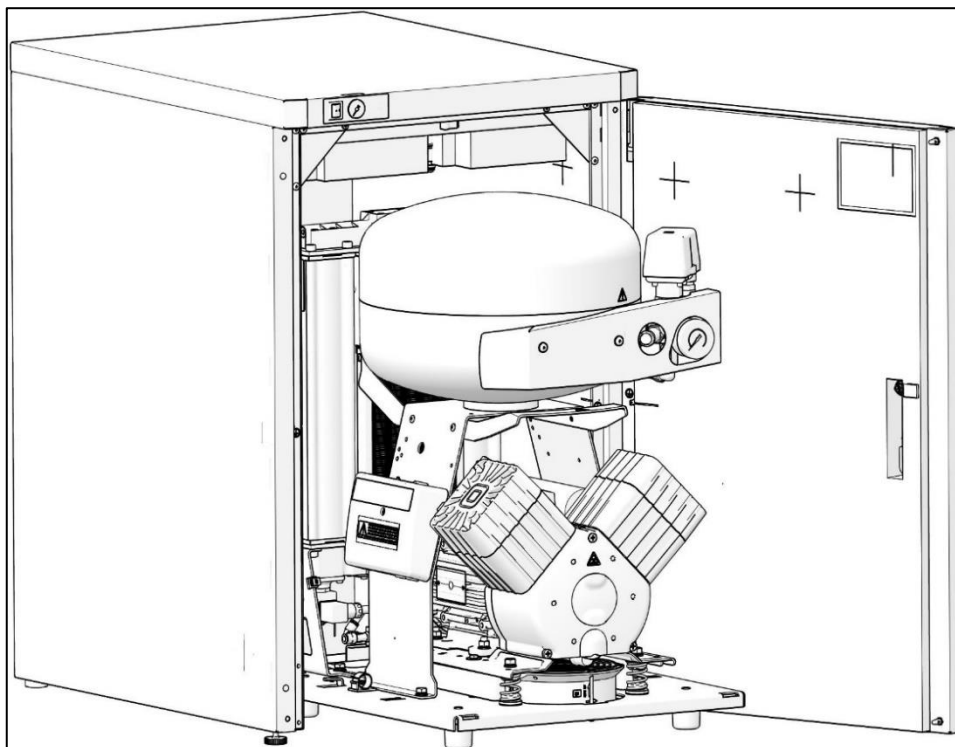
14. UMÍSTĚNÍ KOMPRESORU DO SKŘÍŇKY

- Kompresor umístěte min. 500 mm od skříňky, aby bylo možné manipulovat s hadicemi a napájecím kabelem uvnitř skříňky (Obr. 12).



Obr. 12: Umístění kompresoru pro připojení

- Pneumatické připojení proveďte podle kap. 12.1.
- Připojte nádobu na sběr kondenzátu podle kap. 12.3
- Tlakovou hadici, hadičku pro odvod kondenzátu a síťový kabel vyvedte přes otvor v zadní stěně skříňky.
- Umístěte kompresor do takové vzdálenosti od skříňky, aby bylo možné připojit konektor winsta pro elektrické propojení kompresoru se skříňkou (Obr. 11, Obr. 13).



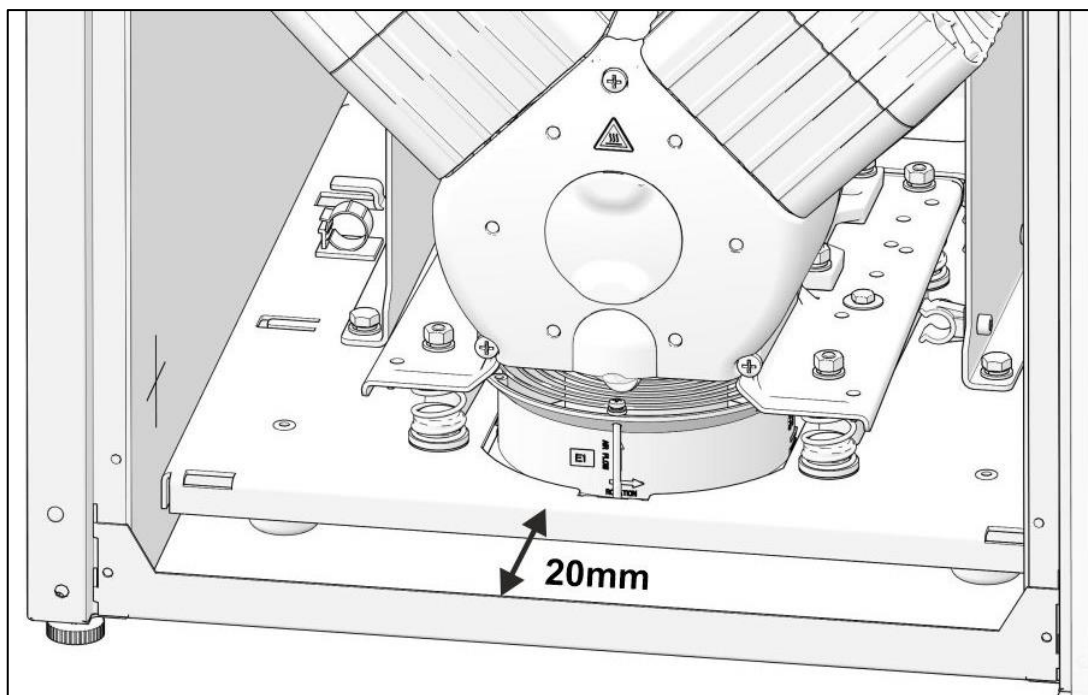
Obr. 13: Umístění kompresoru s ohledem na elektrické zapojení

- Kompresor elektricky zapojte podle kap. 13.
- Zasuňte kompresor do skříňky a zajistěte spojovací lištu (17).



Kompresor se sušičem vzduchu se nesmí zasunout do skříňky úplně, jinak hrozí trvalé poškození sušiče.

- Zkontrolujte správné zasunutí kompresoru do skříňky podle kontrolního rozměru (Obr. 14).



Obr. 14: Umístění kompresoru DK50 2V/M ve skříňce

- Připojte manometr skříňky ke kompresoru podle kap. 12.2.
- Připojte displej v předních dvířkách skříňky (Obr. 15), a kabel k displeji zafixujte v příchýtkách (Obr. 16).



Obr. 15: Připojení konektoru displeje



Obr. 16: Pozice příchýtek na skříňce

15. PRVNÍ UVEDENÍ DO PROVOZU

- Zkontrolujte, zda byly odstraněny všechny fixační prvky použité při přepravě.
- Zkontrolujte správné připojení vedení stlačeného vzduchu. (viz kap. 12)
- Zkontrolujte řádné připojení k elektrické síti. (viz kap. 13)
- Zkontrolujte polohu jisticího vypínače, musí se nacházet v poloze „I“. Pokud se nachází v poloze „0“, přepněte vypínač (2) do polohy „I“. (Obr. 17)
- U kompresoru ve skříňce přepněte vypínač (5) na přední části skříňky zařízení do polohy „I“ – zelená kontrolka signalizuje stav zařízení v provozu. (Obr. 17)

- Zkontrolujte připojení hadičky manometru skříňky k pneumatickému bloku kompresoru.
- Zkontrolujte správné připojení hadičky z automatického odvodu kondenzátu do sběrné nádoby. (viz kap. □).
- Zkontrolujte připojení displeje v předních dveřích skříňky.
- Nastavte jazyk, čas a režim sušení (viz kap. 20.2) na displeji kompresoru.

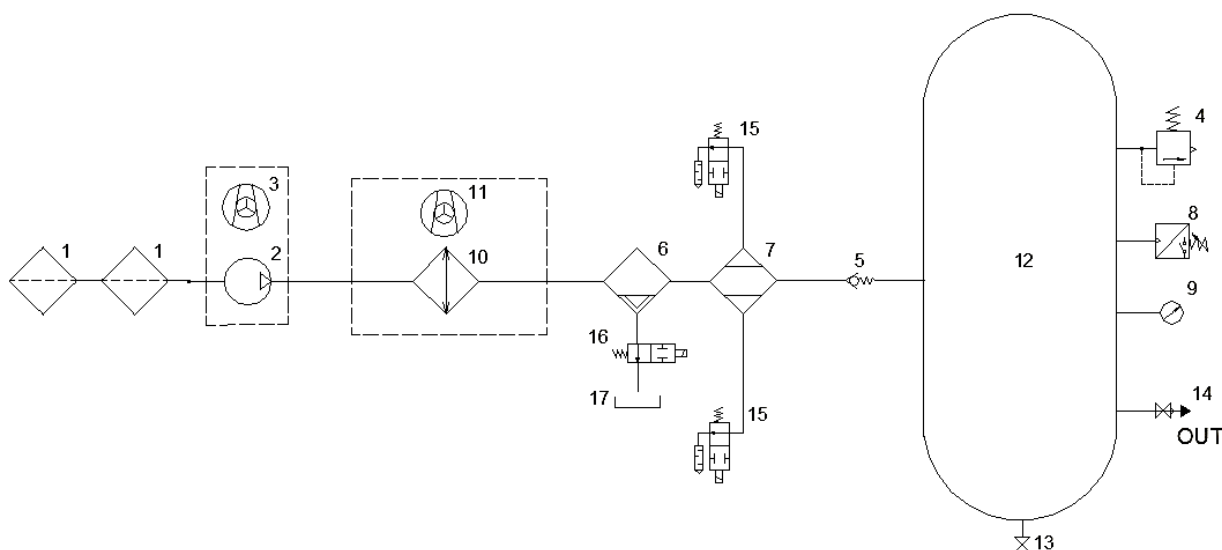


Kompresor neobsahuje záložní zdroj energie.

16. PNEUMATICKÉ A ELEKTRICKÉ SCHÉMATA

16.1. Pneumatické schéma

DK50 2V/M, DK50 2V S/M



Popis k pneumatickým schémátům:

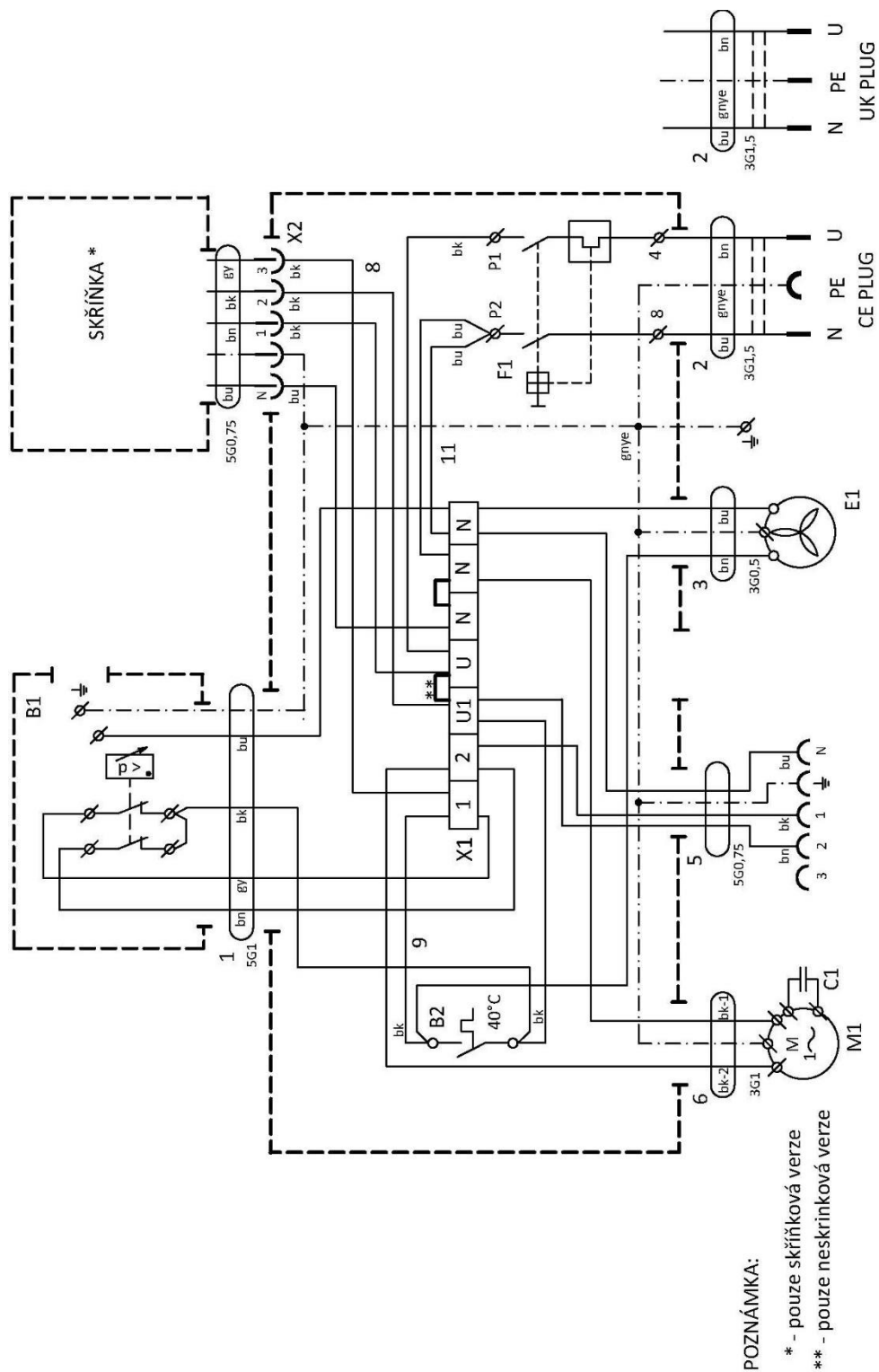
- | | |
|------------------------|---|
| 1 Vstupní filtr | 10 Chladič |
| 2 Kompresor | 11 Ventilátor chladiče |
| 3 Ventilátor | 12 Vzdušník |
| 4 Pojistný ventil | 13 Vypouštěcí ventil kondenzátu |
| 5 Zpětný ventil | 14 Výstupní ventil |
| 6 Odlučovač kondenzátu | 15 Solenoidní ventil sušiče – regenerační |
| 7 Sušič | 16 Solenoidní ventil odvodu kondenzátu |
| 8 Tlakový spínač | 17 Nádobka na sběr kondenzátu |
| 9 Tlakoměr | |

16.2. Schéma zapojení

DK50 2V S/M

1/N/PE 230 V, 50/60 Hz

ELEKTRICKÝ PŘEDMET TR. 1



Poznámka:

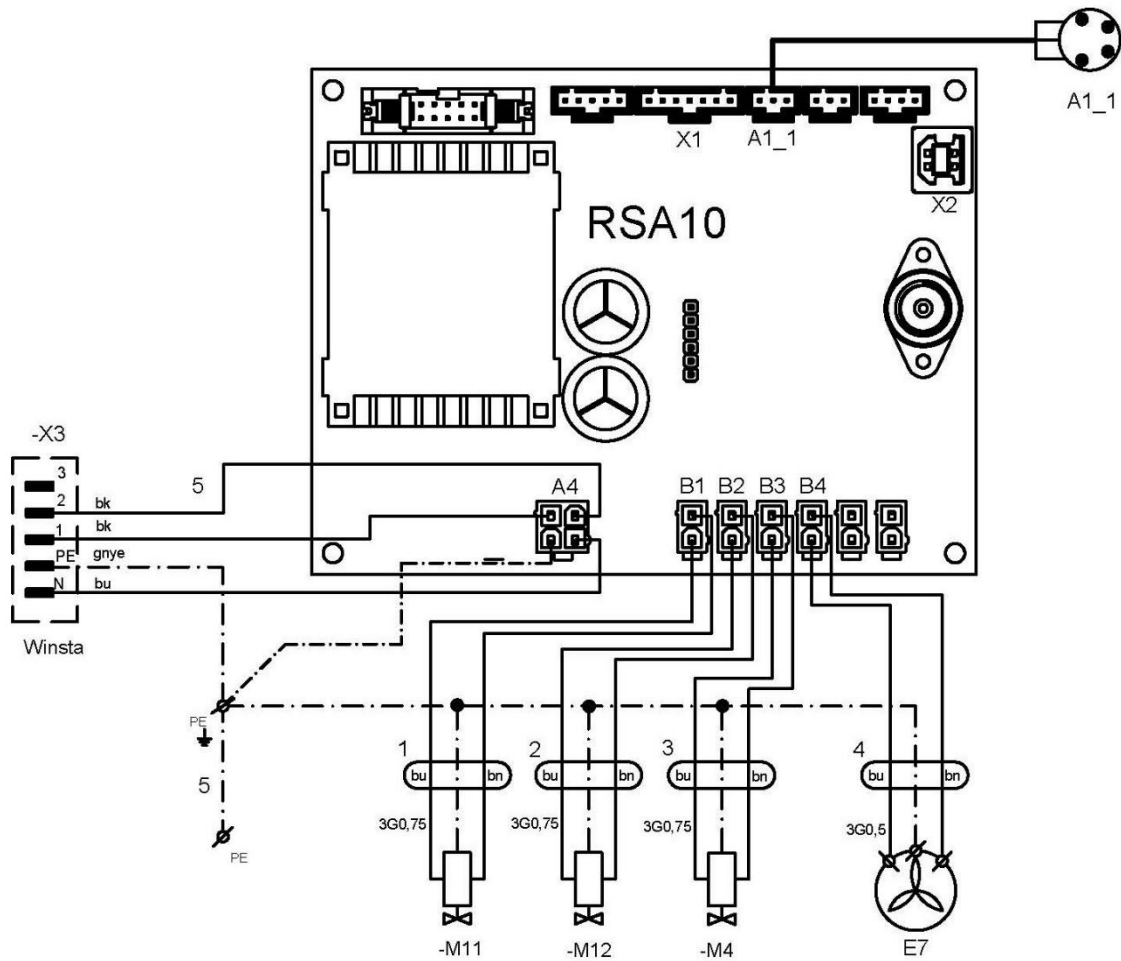
- Můstek se zapojuje pouze u kompresoru bez skříňky (viz kap. 23.10)

AD140

1/N/PE ~ 230V, 50Hz / 230V, 60Hz

~ 120V, 60Hz

ELEKTRICKÝ PŘEDMET TR. 1

**Poznámka:**

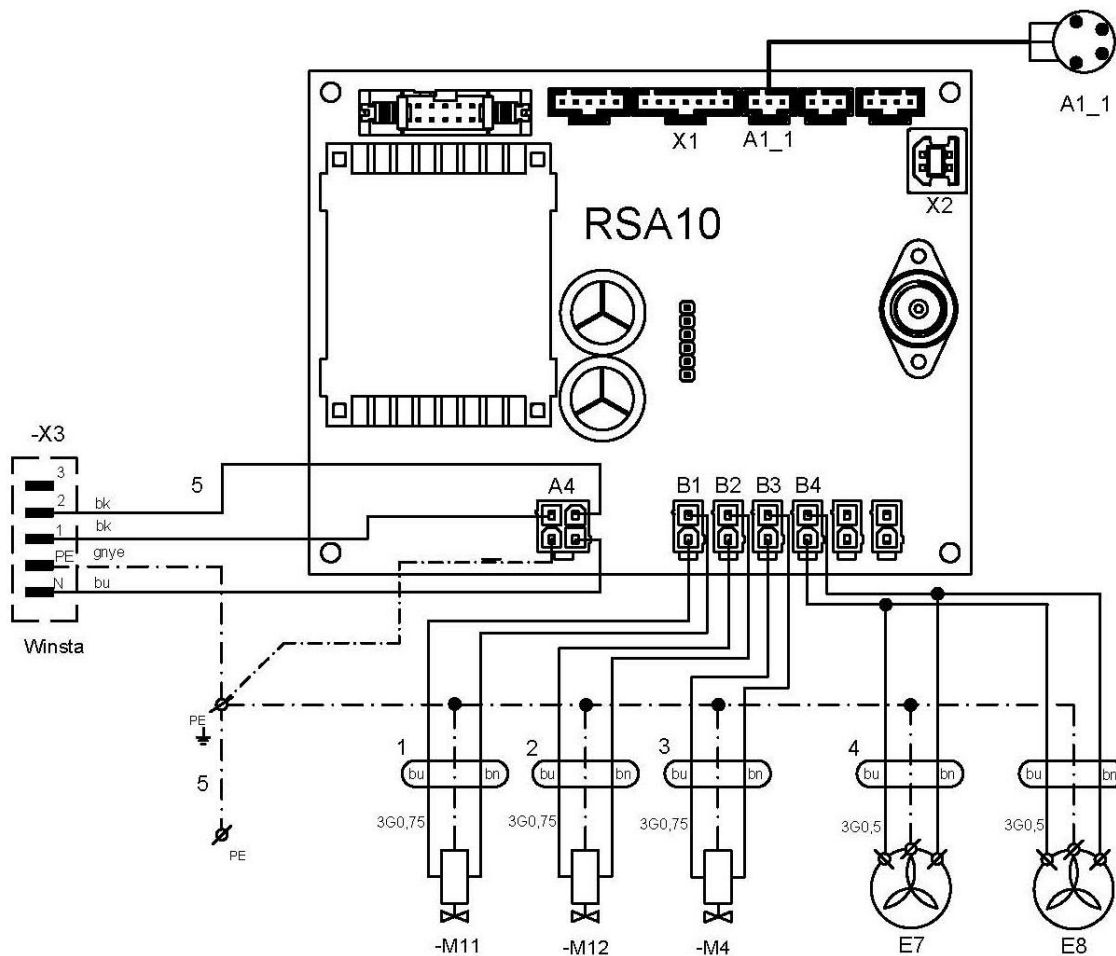
- Snímač rosného bodu (A1_1) není součástí sušiče, v případě zájmu kontaktujte dodavatele.

AD280

1/N/PE ~ 230V, 50Hz / 230V, 60Hz

~ 120V, 60Hz

ELEKTRICKÝ PŘEDMET TR. 1



Poznámka:

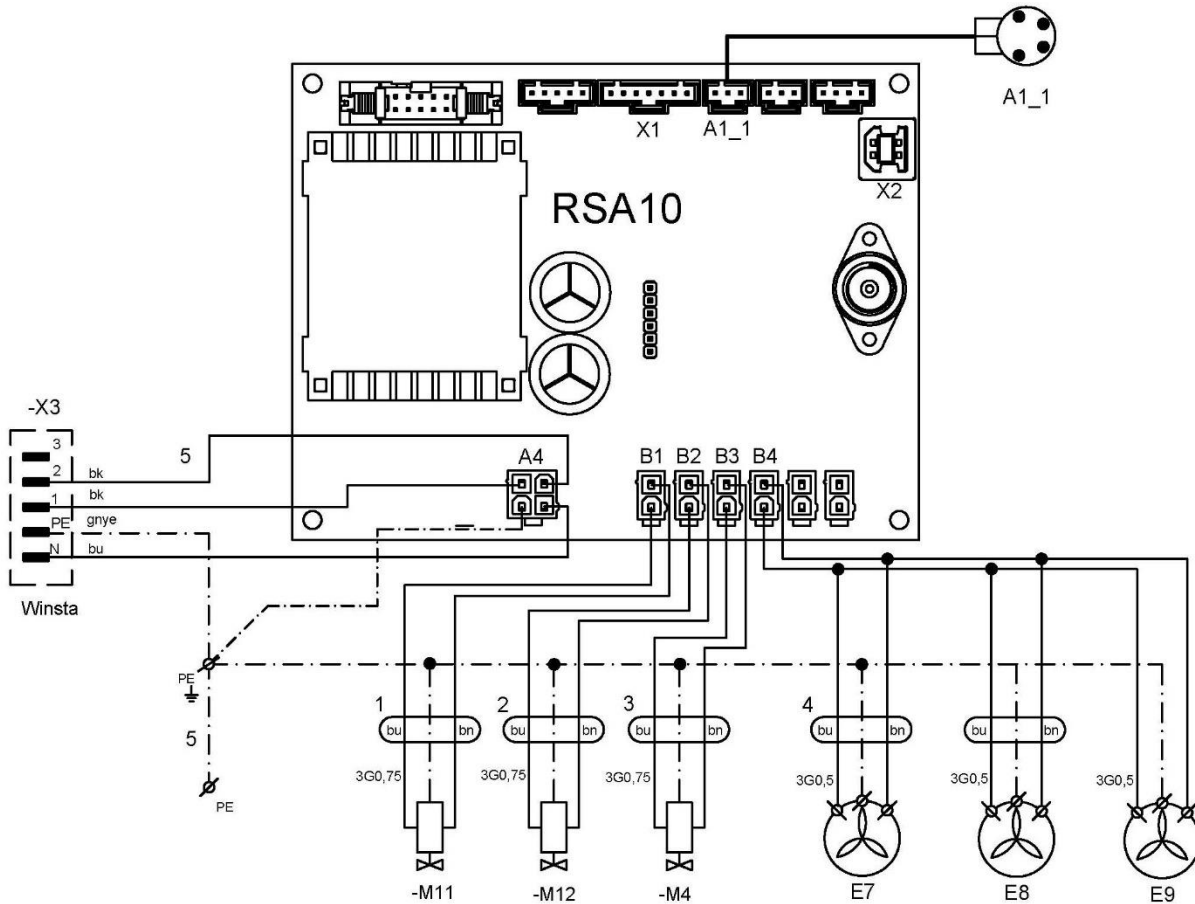
- Snímač rosného bodu (A1_1) není součástí sušiče, v případě zájmu kontaktujte dodavatele.

AD500

1/N/PE ~ 230V, 50Hz / 230V, 60Hz

~ 120V, 60Hz

ELEKTRICKÝ PŘEDMET TR. 1

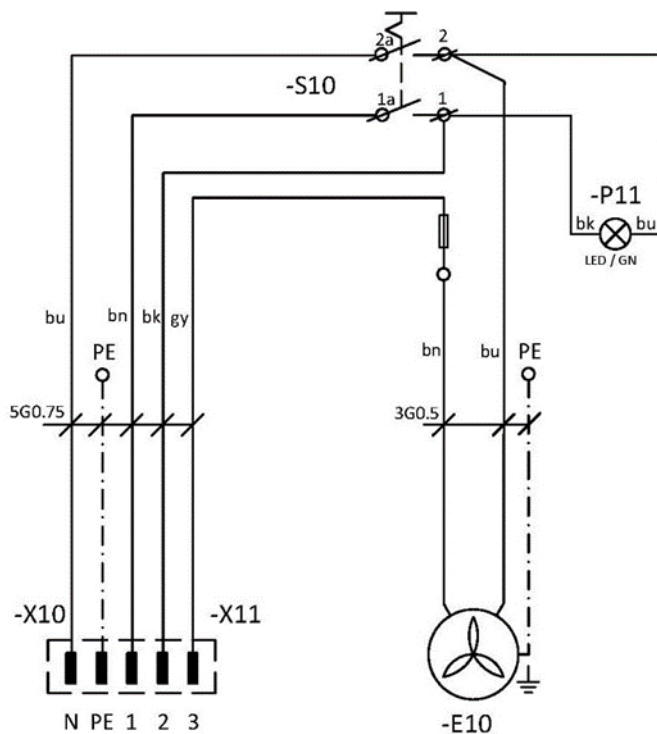
**Poznámka:**

- Snímač rosného bodu (A1_1) není součástí sušiče, v případě zájmu kontaktujte dodavatele.

Skříňka kompresoru

1/N/E 230 V, 50 Hz

ELEKTRICKÝ PŘEDMET TR. 1



Popis k elektrickým schémátům:

M1	Motor kompresoru	F1	Vypínač s pojistkou
E1	Ventilátor kompresoru	S10	Vypínač
E7-E9	Ventilátor sušiče	P11	Kontrolka
E10	Ventilátor skříňky	RSA 10	Řídicí jednotka
B2	Teplotní spínač	M11, M12	Solenoidní ventil - regenerační
X10,X11	Konektor	M4	Solenoidní ventil - odlehčovací
B1	Tlakový spínač	X2, X3	Zásuvka
X1	Svorkovnice	A1_1	Konektor snímače rosného bodu

OBSLUHA

ZAŘÍZENÍ SMÍ OBSLUHOVAT JEN VYŠKOLENÝ PERSONÁL!



Nebezpečí popálení nebo požáru.

Při činnosti kompresoru se části agregátu mohou zahřát na teploty nebezpečné pro dotyk osob nebo materiálu.



Výstraha - kompresor je ovládán automaticky.

Automatické spuštění. Když tlak v tlakové nádrži poklesne na zapínací tlak, kompresor se automaticky zapne. Kompresor se automaticky vypne, když tlak ve vzdušníku dosáhne hodnoty vypínacího tlaku.



Nebezpečí poškození pneumatických částí.

Je zakázáno měnit pracovní tlaky tlakového spínače nastaveného výrobcem. Činnost kompresoru při nižším pracovním tlaku, než je zapínací tlak, svědčí o vysoké spotřebě vzduchu (viz kap. Poruchy).



Nebezpečí poškození sušiče.

Při provozu sušiče při teplotě okolí vyšší než maximální provozní teplota může dojít k poškození sušiče.



Požadovaného stupně sušení je možné dosáhnout pouze při dodržení předepsaných provozních podmínek.

Při provozu sušiče při tlaku nižším než minimální pracovní tlak se účinnosti sušení sníží a zhorší se dosahovaný rosný bod.



Během delšího provozu kompresoru se zvýší teplota v jeho okolí nad 40 °C, při této teplotě se automaticky zapne chladič ventilátor. Po ochlazení prostoru pod cca 32 °C se ventilátor opět vypne.

17. ZAPNUTÍ KOMPRESORU

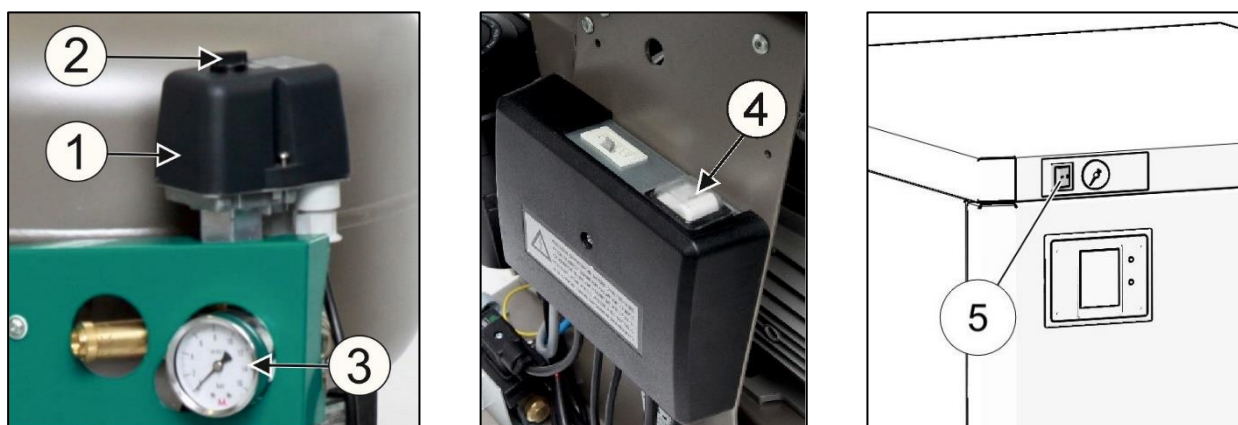
Kompresor (bez skříňky) zapněte na tlakovém spínači (1) otočením přepínače (2) do polohy „I“. Kompresor začne pracovat, naplní vzdušník na vypínací tlak a tlakový spínač vypne kompresor.

Kompresor ve skříňce zapněte vypínačem (5) na přední straně skříňky. Kompresor začne pracovat, naplní vzdušník na vypínací tlak a tlakový spínač vypne kompresor.

Následně kompresor pracuje v automatickém režimu, kompresor se zapíná a vypíná podle spotřeby stlačeného vzduchu.

Hodnoty zapínacího a vypínacího tlaku zkontrolujte na tlakoměru (3). Hodnoty mohou být v toleranci $\pm 10\%$. Tlak vzduchu ve vzdušníku nesmí překročit přípustný provozní tlak.

Obr. 17: Zapnutí kompresoru



- **Kompresor** – při prvním uvedení do provozu se vzdušník kompresoru natluče na vypínací tlak a kompresor se samočinně vypne. Následně už kompresor pracuje v automatickém režimu, podle spotřeby stlačeného vzduchu se kompresor zapíná a vypíná tlakovým spínačem.
- Při provozu kompresoru stlačený vzduch prochází sušičem, který z něho odebírá vlhkost.
- Zachycený kondenzát vyfukuje přes výpust na sušiči ven, což je slyšet jako krátké zasyčení při zastavení kompresoru nebo během jeho provozu při přepínání komor sušiče.



Nebezpečí poškození pneumatických částí.

U kompresoru není dovoleno svévolně měnit tlakové limity tlakového spínače. Tlakový spínač (1) byl nastaven výrobcem a další nastavení zapínacího a vypínacího tlaku může provést pouze kvalifikovaný odborník vyškolený výrobcem.

18. VYPNUTÍ KOMPRESORU

- Vypnutí kompresoru kvůli servisu nebo z jiné příčiny se provádí na tlakovém spínači (1) otočením přepínače (2) do polohy „0“ (Obr. 17) a **vytáhnutím síťové zástrčky ze zásuvky**. Kompresor se tím odpojí od napájecí sítě.
- Snižte tlak ve vzdušníku na nulu otevřením vypouštěcího ventilu.

AD SUŠIČ

19. PRINCIP FUNKCE

Činnost sušiče je řízena signálem z tlakového spínače kompresoru.

Když je kompresor v chodu, stlačený vzduch vstupuje do chladiče, kde se ochladí, a část zkondenzované vlhkosti se oddělí v integrovaném cyklickém odlučovači. Ve spodní části odlučovače se nachází elektromagnetický ventil V3, který v pravidelných intervalech vypouští kondenzát z odlučovače.

Následně vzduch přechází do komory logického ventilu OR1, v níž se snímá tlak. Pokud tlak v komoře ventilu nedosáhne tlaku $P1 = 3$ bar, regenerační elektromagnetické ventily V1, V2 (typ NC) zůstanou zavřené a regenerace neproběhne. V případě, že tlak v komoře logického ventilu dosáhne min. 3 barů, spustí se přepínání komor podle logiky popsané v bodě 19.1.

Při vypnutí signálu z tlakového spínače kompresoru se na krátkou dobu otevřou regenerační ventily V1, V2 k odlehčení kompresorového agregátu a odtlakování komor sušiče.

Odtlakování sušiče, jakož i regenerace jsou realizovány přes hadičku společnou s výpustí z odlučovače kondenzátu. Z tohoto důvodu nemůže být odvod kondenzátu sveden přímo do odpadu.

19.1. Regenerace sušiče

Po dosažení pracovního tlaku $P1 = 3$ bar se spustí regenerace sušiče. Při regeneraci se ventily V1 a V2 cyklicky přepínají, přičemž před každým přepnutím se zařadí krátká fáze (dT) vyrovnávání tlaků v komorách, během níž jsou oba ventily zavřené.

V komoře 1 je pracovní tlak a komora se nachází v sušicí fázi, v komoře 2 je atmosférický tlak a komora se nachází v regenerační fázi. Komora je regenerovaná vzduchem procházejícím tryskou sušiče.

19.2. Režim „Energy saving“ (pouze pro verze se snímačem rosného bodu)

Sušič vybavený snímačem rosného bodu umožňuje řízení množství oplachového vzduchu tak, aby byl udržován požadovaný rosný bod.

Po dosažení požadovaného rosného bodu se v zájmu optimalizace množství oplachového vzduchu pozastaví regenerace. V režimu se zastavenou regenerací jsou oba ventily V1, V2 zavřené (a je tedy zastaven oplach komor suchým vzduchem).

Pro rovnoměrné zatížení komor se komory dále střídají v původním intervalu.

Po nárůstu rosného bodu se „Energy saving“ režim ukončí a sušič pracuje dále v režimu se zapnutou regenerací.

Trvání režimu s vypnutou regenerací

„Energy saving“ režim s vypnutou regenerací je časově omezený. Po uplynutí definovaného intervalu (4 přepnutí komor) se zařadí 1 cyklus se standardní regenerací obou komor.

19.3. Alarmový systém

Všechny alarmové stavy přístroje jsou stavy technického alarmu nízké priority podle EN 60601-1-8. Každý alarmový stav je indikován příslušným vizuálním signálem (viz kap. 22) – vizuální signál bliká. V případě poruchy světe opravu oprávněnému servisu.

Alarmové stavy signalizují možnou poruchu přístroje. Alarmové signály proto není možné deaktivovat.

Všechny alarmové signály jsou nesetrválé – po zániku příčiny alarmového stavu jsou alarmové signály ukončeny.

Pozice operátora. Nevyžaduje se žádná konkrétní pozice operátora. Provozovatel by však měl zůstat v dosahu vizuálního výstražného signálu, který může záviset na skutečných provozních podmínkách.

Nízký tlak. Signál je aktivní v případě, že tlakový snímač sušiče zaznamená nízký tlak v sušiči pod definovaným limitem 3 bar. Příčinou aktivování signálu během provozu může být únik vzduchu z kompresoru/sušiče, porucha ovládacích elektromagnetických ventilů na sušiči, chyba softwaru.

Vysoký tlak. Signál je aktivní v případě, že tlakový snímač sušiče zaznamená nárůst tlaku nad horní hranici tlaku. Agregát se vypne a zůstane vypnutý, dokud tlak neklesne. V případě automatického nevypnutí agregátu je nadbytečný tlak uvolněn pojistným ventilem na vzdušníku kompresoru.

Vysoký rosný bod. Signál je aktivní v případě, že snímač rosného bodu zaznamená vysoký rosný bod.

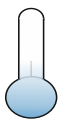
Uplynulý servisní interval. Signál je aktivní do zrealizování servisu a zresetování, resp. zadání nového servisního intervalu.

20. UŽIVATELSKÉ ROZHRANÍ / NASTAVENÍ

20.1. Význam symbolů zobrazovaných na displeji



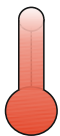
Symbol návodu k použití, resp. viz návod k použití.



Symbol vyjadřující teplotu okolí (od 25 °C) související se zvoleným režimem. Program v daném režimu upraví předplnění komor.



Symbol vyjadřující teplotu okolí (od 25 °C do 30 °C) související se zvoleným režimem. Program v daném režimu upraví předplnění komor.



Symbol vyjadřující teplotu okolí (nad 30 °C) související se zvoleným režimem. Program v daném režimu upraví předplnění komor.



Návrat do základního menu na 4 základní obrazovky.



Krok zpět.



Symbol servisního intervalu.



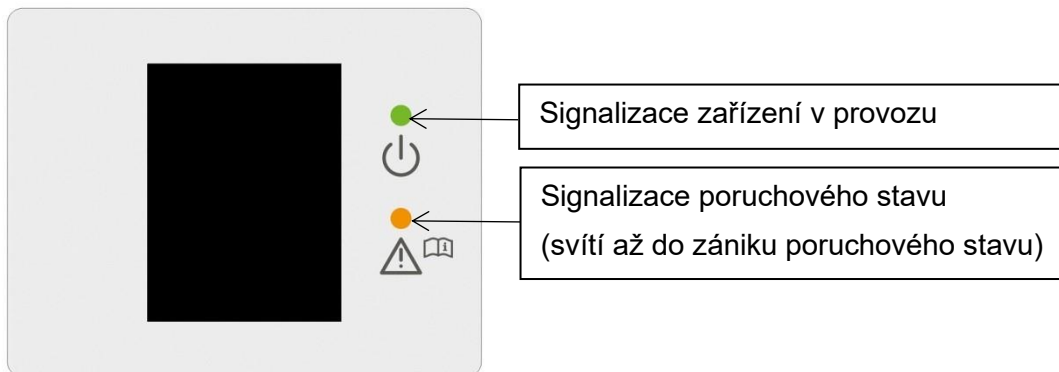
Symbol aktuálního stavu komory sušiče – regenerace.



Symbol aktuálního stavu komory sušiče – sušení.

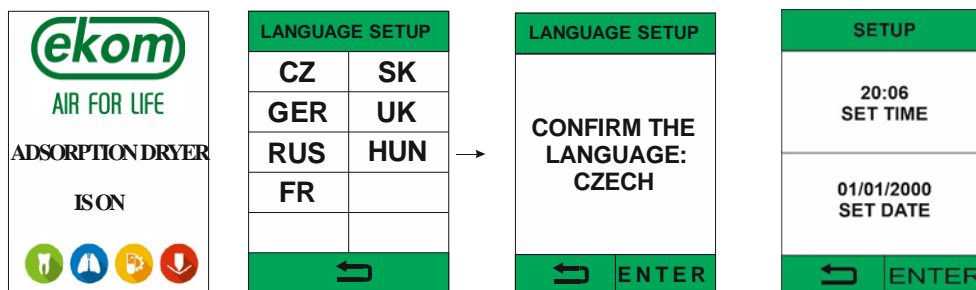


Symbol předplnění komor – vyrovnávání tlaku v komorách.



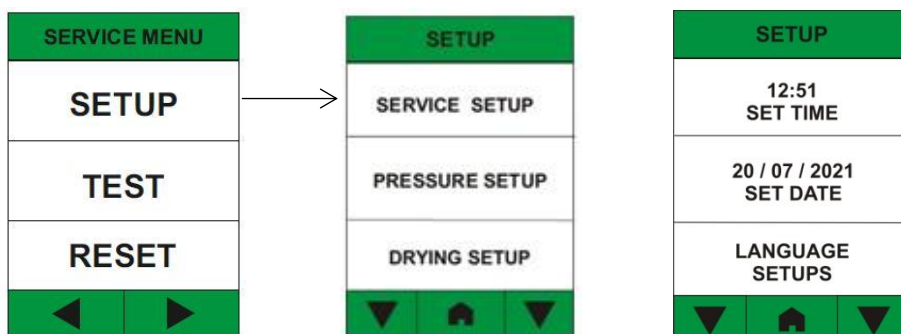
20.2. První nastavení uživatelského rozhraní

Při prvním spuštění programu se zobrazí možnost nastavení jazyka, času a data. Během instalace servisní technik zvolí jazyk, čas a datum podle zeměpisné polohy sušiče. Danou volbu si program uloží a zapamatuje. Při opakovaném spuštění se tato volba nevyvolává. Potvrzením této možnosti se také spustí odpočítávání servisních hodin.



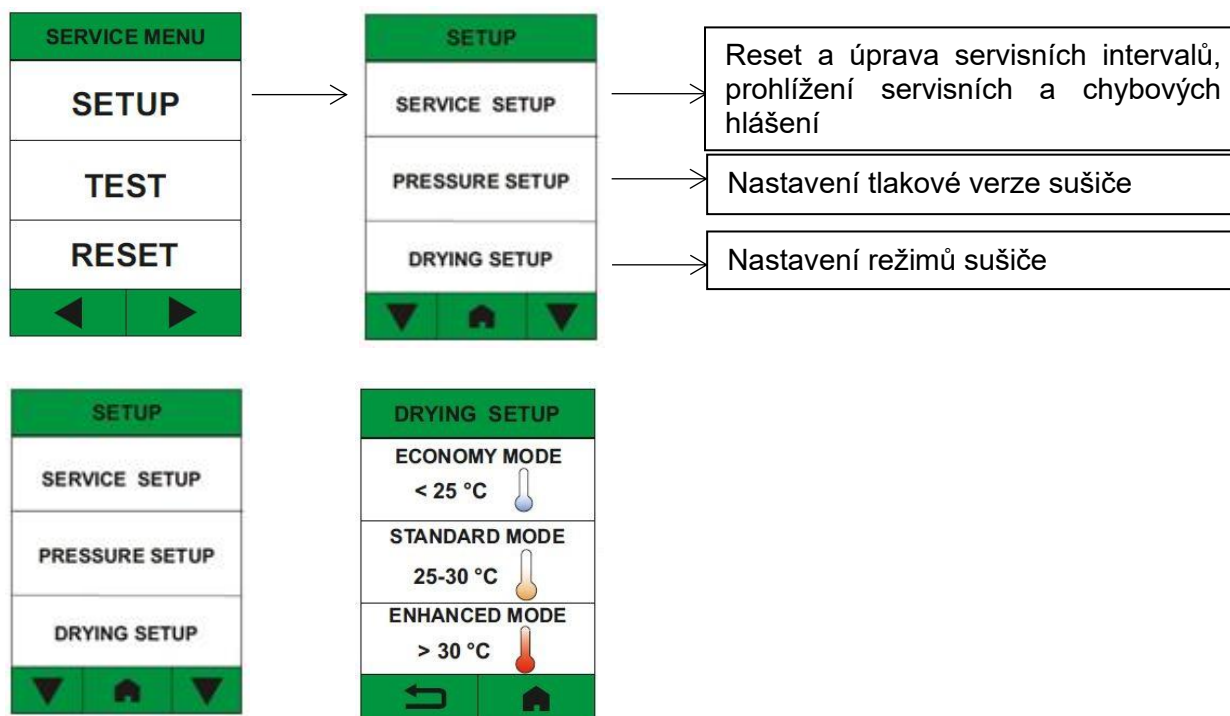
20.3. Nastavení času a data při prvním spuštění

Při prvním spuštění je doporučeno nastavit datum a čas. Nastavení se provádí v servisním menu v části SERVICE SETUP. Přístup do servisního menu je podmíněn kódem (1992). V části SETUP se přes šipku dolů dostanete k nastavení času a datu. Stejným způsobem lze přes LANGUAGE SETUP opětovně nastavit jazyk uživatelského rozhraní.



20.4. Nastavení režimu sušení při prvním spuštění

Při prvním spuštění je doporučeno nastavit režim sušení vzduchu. Nastavení se provádí v servisním menu v části SERVICE SETUP. Přístup do servisního menu je podmíněn kódem.



aRežim sušení se nastavuje podle odhadovaného teplotního rozsahu, ve kterém bude zařízení pracovat, a podle verze kompresoru (bez skříňky, se skříňkou).

- kompresor bez skříňky $t_o < 25 \text{ °C}$ – nastavte režim ECONOMY
- kompresor bez skříňky $t_o = 25 \text{ °C} - 30 \text{ °C}$ – nastavte režim STANDARD
- kompresor bez skříňky $t_o > 30 \text{ °C}$ – nastavte režim ENHANCED
- kompresor ve skříňce – nastavte režim ENHANCED

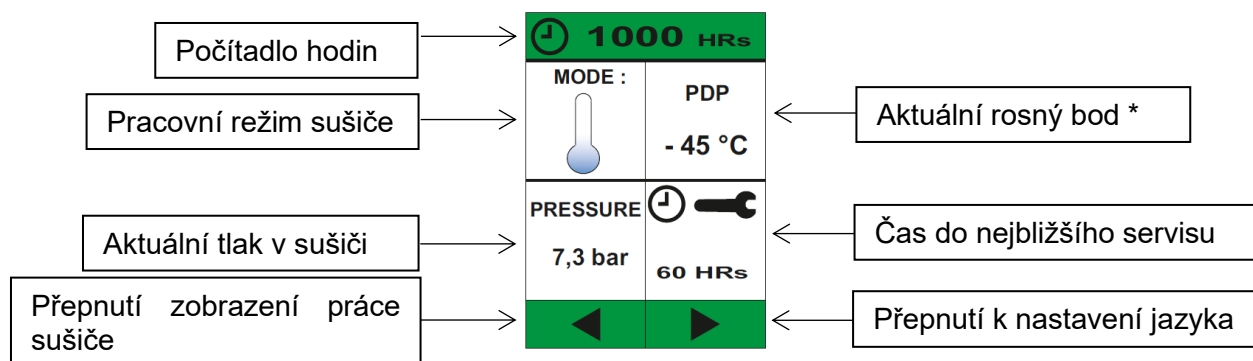
t_o – teplota okolí

21. ZÁKLADNÍ OBRAZOVKY

Po nastavení jazyka uživatelského rozhraní a režimu sušení se zobrazí domovská obrazovka. Z domovské obrazovky je možnost přepínat mezi 4 základními obrazovkami.

K přepínání mezi jednotlivými obrazovkami slouží šipky ve spodní části obrazovky.

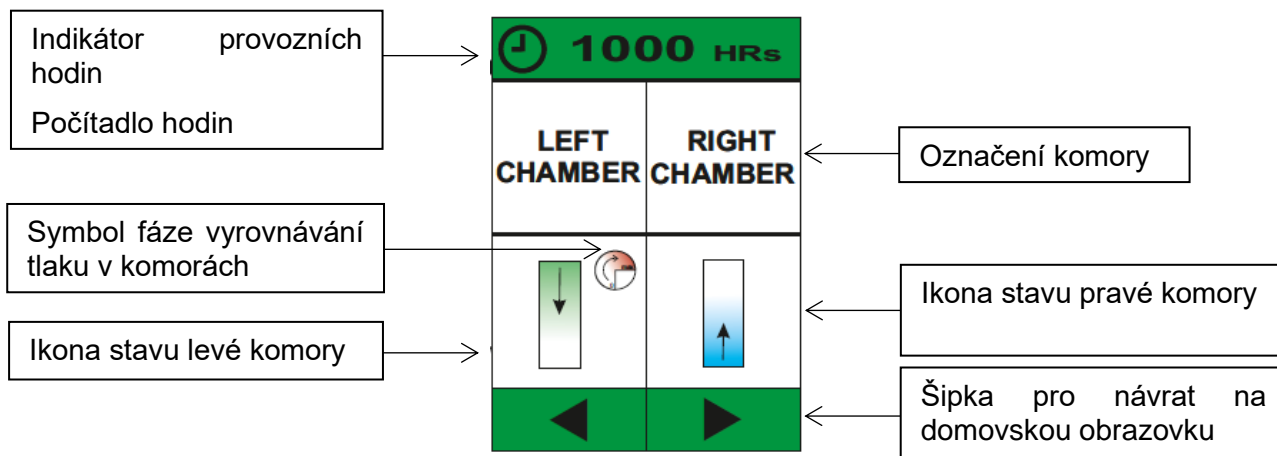
21.1. Domovská obrazovka



(*daná informace se zobrazí pouze v případě vybavení kompresoru snímačem rosného bodu)

- Na domovské obrazovce sušiče se nacházejí zobrazení základních informací a měřených parametrů. V horní části obrazovky se nachází indikátor provozních hodin sušiče. Domovská obrazovka je následně rozdělena do 4 základních polí, kde se zobrazují následující informace:
- Pracovní režim sušiče (viz kap. 20.1)
- Aktuální hodnota tlaku v sušiči (min. pracovní tlak pro spuštění regenerace sušiče je 3 bar)
- Aktuální hodnota tlakového rosného bodu (pouze pro kompresory vybavené snímačem rosného bodu)
- Zbývající čas do nejbližšího servisního intervalu (viz kap. 22.1, 22.2 – servisní intervaly).

21.2. Obrazovka práce sušiče



V horní části obrazovky se nachází indikátor provozních hodin sušiče. Obrazovka práce sušiče je dále rozdělena do 4 polí, která popisují pracovní cykly komor sušiče prostřednictvím grafického znázornění aktuálních stavů jednotlivých komor.



Symbol aktuálního stavu komory sušiče – regenerace.



Symbol aktuálního stavu komory sušiče – sušení.



Symbol předplnění komor – vyrovnávání tlaku v komorách.

21.3. Obrazovka nastavení jazyka

LANGUAGE SETUP	
CZ	SK
GER	UK
RUS	HUN
FR	
◀	▶

Mezi základními obrazovkami se nachází obrazovka s možností dodatečné změny nastavení jazyka.

21.4. Obrazovka servisního menu

SERVICE MENU		CODE: * * * *
SETUP	→	1 2
TEST	→	2 4
RESET	→	5 6
		7 8
		9 ←
◀ ▶		↩ ENTER

Servisní menu je určeno výhradně pro servisní pracovníky. Přístup do jednotlivých položek servisního menu je chráněn heslem 1992.

22. SIGNALIZACE SERVISU A PORUCHOVÝCH STAVŮ

Řídicí jednotka adsorpčního sušiče je schopná měřit vybrané parametry (tlak a tlakový rosný bod ve verzi se snímačem rosného bodu) a vyhodnocovat základní provozní stavy sušiče.

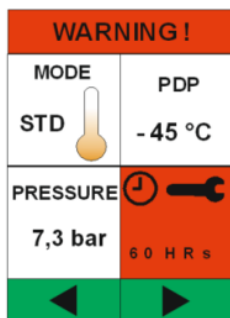
Na základě vyhodnocení měřených parametrů a informací o servisu zobrazuje řídicí jednotka informace o poruchových stavech prostřednictvím následujících notifikací a upozornění.

22.1. Notifikace - blížící se servisní interval

NOTICE !	
MODE ECO	PDP -45 °C
PRESSURE 7,3 bar	60 HR s
◀ ▶	

- 100 pracovních hodin před nejbližším servisním intervalem **se rozsvítí notifikace žlutou barvou („Notice!“)**. **Současně se oranžově rozsvítí pole servisu.**
- **Průběžně se zobrazuje zbývající počet hodin do nejbližšího servisu.**
- **Upozornění se zobrazuje až do provedení servisu a vynulování servisního intervalu.**

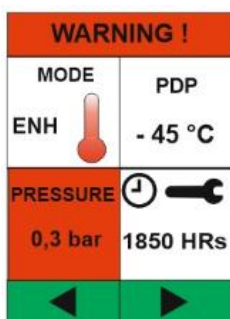
22.2. Upozornění - Překročení servisního intervalu



- Po uplynutí servisního intervalu se rozsvítí upozornění červenou barvou („Warning!“). Současně se červeně rozsvítí pole servisu.
- Upozornění se zobrazuje až do vykonání servisu a vynulování servisního intervalu.
- Průběžně se zobrazuje počet hodin do nejbližšího servisu.
- Záznam o upozornění se uloží do historie upozornění („Warning log“).
- Sušič nadále pracuje normálně

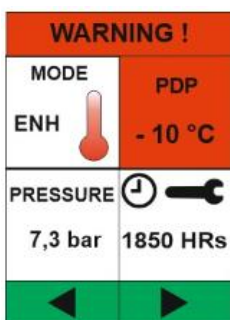
22.3. Poruchové stavy

Nízký/vysoký tlak



- Při detekování nízkého (< 3 bar) anebo vysokého tlaku (> 8,5 bar, resp. > 10,5 bar v závislosti na tlakové verzi) se rozsvítí upozornění červenou barvou („Warning!“). Současně se červeně rozsvítí pole indikující hodnotu aktuálního tlaku.
- Upozornění se zobrazuje během trvání poruchového stavu.
- Záznam o upozornění se uloží do historie upozornění („Warning log“).
- Sušič nepracuje normálně, neprobíhá regenerace, je třeba odstavit kompresor.

Vysoký rosný bod



- Upozornění je dostupné pouze pro sušiče vybavené snímačem rosného bodu.
- Při detekování vysokého rosného bodu (> -20 °C, resp. > -40 °C v závislosti na verzi sušiče) se rozsvítí upozornění červenou barvou („Warning!“). Současně se červeně rozsvítí pole indikující hodnotu aktuálního tlakového rosného bodu.
- Upozornění se zobrazuje během trvání poruchového stavu.
- Záznam o upozornění se uloží do historie upozornění („Warning log“).
- Sušič nepracuje správně nebo je použit mimo doporučených podmínek použití, je třeba odstavit kompresor.



Po prvním uvedení do provozu se může spustit alarm vysokého rosného bodu. Tento stav trvá, dokud nedojde k regeneraci sušiče. Doba regenerace sušiče závisí na mnoha parametrech používání zařízení. Regenerace sušiče by měla trvat maximálně 24 h provozu sušiče. Pokud sušič nedosáhne požadovaného rosného bodu během prvních 24 hodin provozu, kontaktujte servisního technika.

22.4. Obrazovka „Call Service“



- V případě výskytu notifikace anebo upozornění obrazovka „Call Service“ bliká střídavě s domovskou obrazovkou.

ÚDRŽBA VÝROBKU

23. ÚDRŽBA VÝROBKU



Provozovatel je povinen zajistit provádění zkoušek zařízení v intervalech, které určují příslušné národní právní předpisy. O výsledcích zkoušek musí být proveden záznam.

Zařízení je zkonstruováno a vyrobeno tak, aby jeho údržba byla minimální. K zajištění řádné a spolehlivé činnosti kompresoru je však zapotřebí provádět úkony dle následujícího popisu.



Nebezpečí neodborného zásahu.

Opravné práce, které přesahují rámec běžné údržby (viz kap. 23.1 Intervaly údržby), smí provádět pouze kvalifikovaný odborník (organizace pověřená výrobcem) nebo zákaznický servis výrobce.

Práce v rámci běžné údržby (viz kap. 23.1 Intervaly údržby) smí provádět pouze zaškolený pracovník obsluhy.

Používat se smí pouze náhradní díly a příslušenství předepsané výrobcem.



Nebezpečí úrazu a poškození zařízení.

Před zahájením prací týkajících se údržby kompresoru je nutné:

- zkontrolovat, zda je možné kompresor odpojit od spotřebiče, aby tím nevzniklo riziko poškození zdraví nebo ohrožení života osoby používající daný spotřebič, případně jiné materiální škody;
- vypnout kompresor;
- odpojit ho od elektrické sítě (vytáhnout síťovou zástrčku);
- vypustit stlačený vzduch ze vzdušníku.



Nebezpečí úrazu při vypouštění stlačeného vzduchu.

Při vypouštění stlačeného vzduchu z pneumatického rozvodu (vzdušníku, komor sušiče) je třeba chránit si zrak – použít ochranné brýle.



Nebezpečí popálení.

Během činnosti kompresoru nebo krátce po jejím ukončení mají části agregátu (hlava, válec, tlaková hadice) vysokou teplotu – uvedených částí se nedotýkejte.

Před údržbou, servisem výrobku nebo připojením/odpojením přívodu tlakového vzduchu nechte zařízení vychladnout!



Uzemňovací vodič odpojený během servisního zásahu je nutné po ukončení prací znovu připojit na původní místo.

- V případě servisu nebo údržby je možné vysunout kompresor ze skříňky vytáhnutím před skříňku (pokud to dovolí délka šňůry mezi kompresorem a skříňkou). (Viz kap. 23). Po jeho vytáhnutí je možné provést potřebnou údržbu nebo servis.
- V případě odpojení kabelu mezi kompresorem a skříňkou (vytáhnutím vidlice konektoru, kap. 13.2) není kompresor funkční. Aby byl kompresor funkční, musíte postupovat podle kap. 13.2 nebo 23.10 nebo 23.11.

Časový interval ^{b)}	50 Hz		60 Hz		1x denně	1x týdně	1x za rok	1x za 2 roky	4000 h	6000 h	8000 h	10000 h	12000 h	16000 h	20000 h	24000 h	Kap.	Souprava náhradních dílů	Provede	
	3200 h	4800 h	6400 h	8000 h	9600 h	12800 h	16000 h	19200 h									23.9	-	kvalifikovaný odborník	
Kalibrace snímače rosného bodu								x												
Výměna kazet s adsorbentem ^{c)}															x			603022476-000		
Výměna kuličky logického ventilu AD sušiče																		069000317-000		
Výměna elektromagnetického ventilu NC ^{d)}																		025300117-000		
Provedení „Opakované zkoušky“ podle ČSN EN 62353																		-		

^{a)} platí údaj v hodinách, pokud není dostupný, pak platí údaj o letech

^{b)} Při provedení kompresoru 60 Hz se časový interval v hodinách zkrátí o 20% (2000h./1600h., 4000h./3200h., 6000h./4800h., 8000h./6400h., 10000h./8000h., 12000h./9600h.)

^{c)} Platí údaj, který nastane dříve: 4 roky / 8000 hod.

^{d)} Platí údaj, který nastane dříve: 8 let / 20000 hod.

23.2. Kontrola činnosti

- Kontrola stavu agregátů – agregáty musí mít rovnoměrný chod, bez vibrací, přiměřenou hlučnost. V případě negativního výsledku vyhledejte příčinu stavu nebo zavolejte servis
- Kontrola činnosti ventilátorů (pohledem) – ventilátory musí být v provozu v době, kdy jsou v provozu agregáty. V případě negativního výsledku vyhledejte příčinu stavu nebo zavolejte servis
- Kontrola neporušenosti přívodního kabelu, pneumatických hadic. Poškozené díly vyměňte nebo zavolejte servis.
- Kontrola teploty okolí – teplota okolí musí být nižší než přípustná teplota (40 °C). V případě vyšší teploty zlepšete chlazení v místnosti.
- Na láhvi pro kondenzát uvolněte zátku a vylijte kondenzát.

23.3. Kontrola těsnosti pneumatických spojů a kontrolní prohlídka zařízení

Kontrola těsnosti

- Kontrolu těsnosti pneumatických rozvodů kompresoru provádějte během provozu – tlakování kompresoru.
- Analyzátozem netěsností nebo mýdlovou vodou zkontrolujte těsnost spojů. Pokud bude indikována netěsnost, musíte spoj dotáhnout, případně utěsnit.

Prohlídka zařízení

- Zkontrolujte stav agregátu kompresoru – rovnoměrnost chodu, přiměřená hlučnost.
- Kontrola činnosti ventilátorů – ventilátory musí být v činnosti v předepsaných provozních cyklech kompresoru.
- Kontrola funkčnosti teplotního spínače (B2) – teplotní spínač zahřejte na teplotu vyšší než 40 °C (např. horkovzdušnou pistolí – pozor, nepůsobte vysokou teplotou na plastové díly v okolí, může dojít k deformaci plastů). Po dosažení teploty 40 °C se uvede do provozu ventilátor E1 – kompresor musí být pod napětím.
- Kontrola stavu filtrů – filtry musí být nepoškozené a přiměřeně čisté.
- Kontrola stavu samotného agregátu, zda nejsou nečistoty v klikové skříni, příp. vůle na klikovém hřídeli.
- V případě zjištěných nedostatků chybné součástky vyměňte.

23.4. Kontrola elektrických spojů



Nebezpečí úrazu elektrickým proudem.

Kontrolu elektrických spojů provádějte až po odpojení síťového napětí.

- Zkontrolujte mechanickou funkčnost hlavního vypínače.
- Zkontrolujte neporušenost přívodního kabelu, připojení vodičů.
- Vizually zkontrolujte připojení kabelů ke svorkovnici.
- Zkontrolujte všechny šroubové spoje ochranného zeleno-žlutého vodiče PE.
- Kontrola elektrických spojů AD sušiče – viz servisní manuál.

23.5. Vypuštění kondenzátu



Riziko uklouznutí na vlhké podlaze v případě přetečení nádoby.

Pravidelně vyprazdňujte nádobu na sběr kondenzátu.



Nebezpečí poranění.

Odvod kondenzátu se nesmí přímo připojit do odpadu!

Může dojít k poranění kolemjdoucí osoby.



Před každým vyprazdňováním nádoby je nutné kompresor vypnout!



Nebezpečí úrazu.

Vypouštěcí ventil otvírejte opatrně a postupně. Přílišné otevření vypouštěcího ventilu je doprovázeno výrazným akustickým projevem a nekontrolovaným vystříknutím nahromaděného kondenzátu.



Kondenzát se automaticky odlučuje do nádoby na sběr kondenzátu.

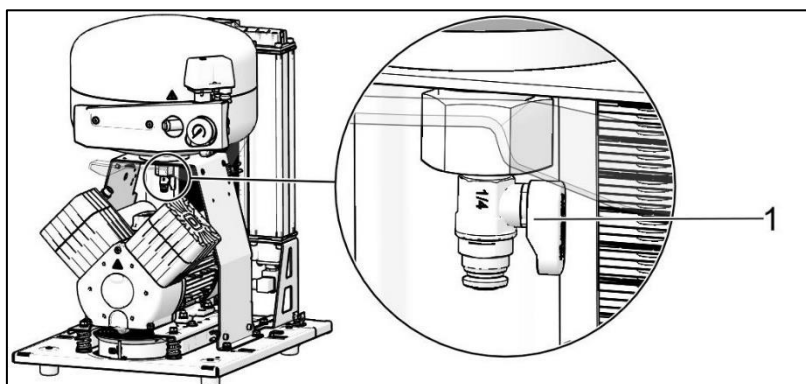
- Sledujte naplnění nádoby po rysku 1 l/2 l (podle objemu nádoby) a vyprázdněte nejpozději jednou za den.

Obr. 18: Kontrola nádoby na kondenzát

V případě potřeby lze k odkalování vzdušníku použít vypouštěcí ventil (1) ze spodní strany vzdušníku (Obr. 19).

Kompresor odpojte ze sítě a tlak vzduchu v zařízení snižte na max. 1 bar, například odpuštěním vzduchu přes připojené zařízení.

Při odkalování použijte hadičku, jejíž volný konec umístěte do vhodné nádoby a otevřením vypouštěcího ventilu vypusťte kondenzát z nádrže.



Obr. 19: Vypuštění kondenzátu

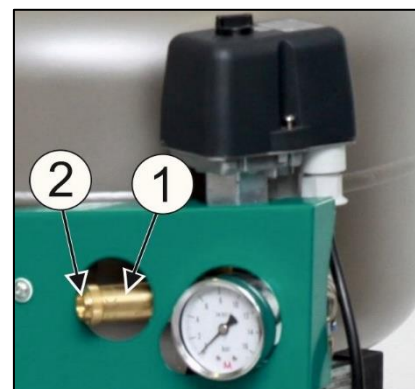


Před následujícími kontrolami je třeba:

- Při provedení kompresoru se skříňkou – odjistit zámek na dveřích a otevřít dveře skříňky.

23.6. Kontrola pojistného ventilu

- Šroub (2) pojistného ventilu (1) otočte o několik otáček doleva, dokud nedojde k vyfouknutí vzduchu přes pojistný ventil.
- Pojistný ventil nechejte jen krátce volně odfouknout.
- Šroub (2) otáčejte doprava až na doraz, ventil nyní musí být opět zavřený.



Obr. 20: Kontrola pojistného ventilu



Nebezpečí nebezpečného nárůstu tlaku při poškození pojistného ventilu.

Pojistný ventil se nesmí používat k odtlakování vzdušníku. Může být ohrožena funkce pojistného ventilu. Ten je od výrobce nastaven na přípustný maximální tlak, je přezkoušen a označen.

Pojistný ventil se nesmí přestavovat.



Nebezpečí úrazu při vypouštění stlačeného vzduchu.

Při kontrole pojistného ventilu je třeba chránit si zrak – použít ochranné brýle.

23.7. Výměna vstupního filtru a předfiltru

Ve věku klikové skříně kompresoru se nachází vstupní filtr (1).

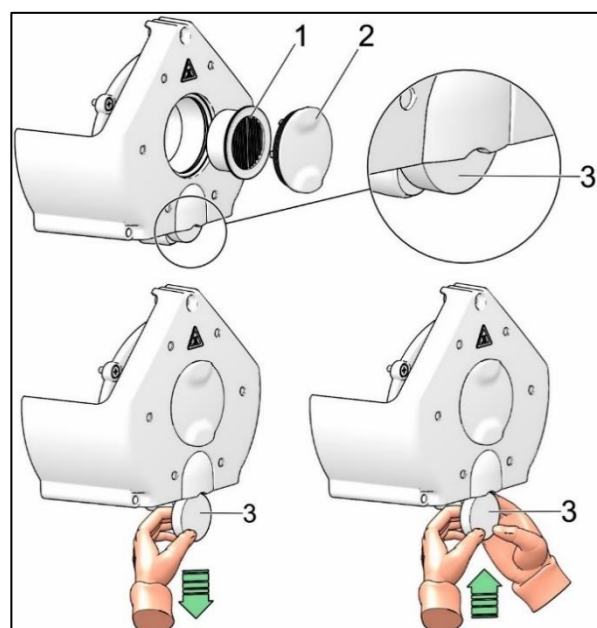
Výměna vstupního filtru:

- Rukou vytáhněte gumovou zátku (2).
- Vyjměte použitý a znečištěný filtr (1).
- Vložte nový filtr a nasadte gumovou zátku.

Výměna předfiltru:

- Rukou vytáhněte předfiltr (3).

Vyměňte ho za nový a vložte zpět.



Obr. 21: Výměna vstupního filtru a předfiltru

23.8. Kontrola chladiče a ventilátoru

Aby bylo sušení účinné, udržujte celé zařízení a zejména ventilátor kompresoru, ventilátor chladiče a chladič v čistotě. Odsajte nebo stlačeným vzduchem odstraňte usazený prach z povrchu chladičích žeber a ventilátorů.

23.9. Kalibrace snímače rosného bodu

Pro kompresory vybavené snímačem rosného bodu je doporučená kalibrace snímače v intervalu 2 roky. Kalibraci provádí výrobce (Vaisala) a je třeba ji objednat online.

Postup při objednání kalibrace snímače:

- Navštivte webovou stránku www.vaisala.com, v části *Services* vyberte *Calibration and repair services*.
- Po zadání typu snímače (typ snímače: **DMT143**) si blíže vyberte typ kalibrace a postupujte podle instrukcí.

23.10. Postup při zapojení kompresoru odpojeného od skříňky



Před každou prací na údržbě nebo opravě kompresor vypněte a odpojte ze sítě (vytáhněte síťovou zástrčku).

Kompresor (bez skříňky) potřebuje pro správnou činnost, aby propojka/mústek (jumper) byly osazeny vždy ve svorkovnici. (Obr. 22, poz. B) Nahrazuje zapnutí vypínače umístěného ve skříňce.



Pokud není ve svorkovnici kompresoru (nepřipojeného ke skříňce) osazená propojka/mústek, kompresor nebude funkční!

V případě vyjmutí kompresoru ze skříňky a odpojení šňůry mezi kompresorem a skříňkou (vytáhnutím vidlice konektoru) není kompresor funkční. Proto je nejdříve nutné vytvořit propojení na svorkovnici propojkou/mústkem (nahradí funkci vypínače na skříňce). (Obr. 22)

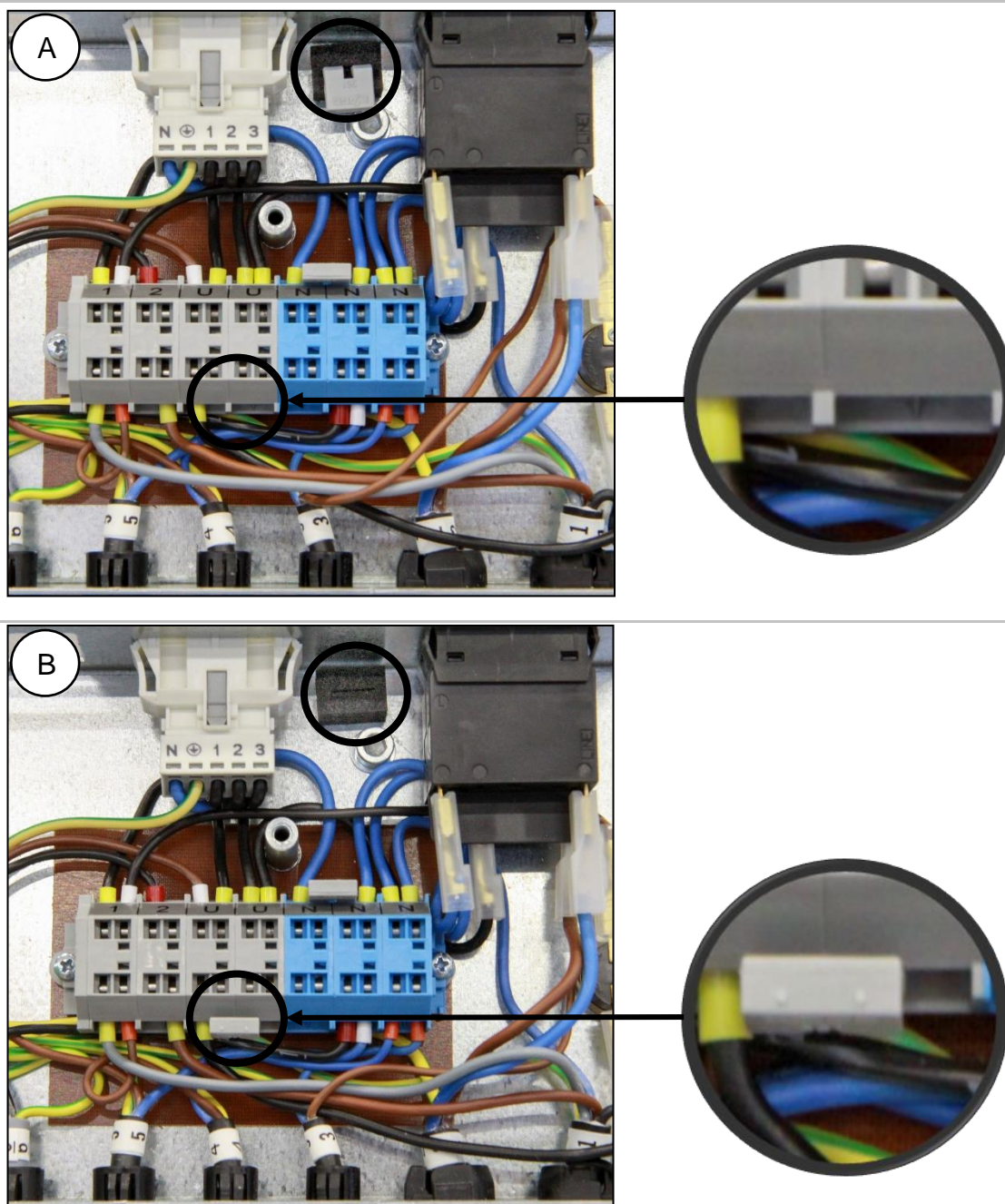
POSTUP:

Montáž propojky/mústku (postup A-B)

- Odpojte výrobek z elektrické sítě vytáhnutím vidlice ze zásuvky.
- Demontujte kryt elektropanelu (na kompresoru).
- Mústek není ve svorkovnici – A.
- Zasuňte mústek do svorkovnice – B.
- Namontujte kryt elektropanelu zpět.
- Připojte výrobek do elektrické sítě.
- Kompresor uvedete do činnosti zapnutím vypínače na tlakovém spínači.

Kompresor – při činnosti mimo skříňku musí být vytvořeno elektrické spojení propojkou/mústkem. (Obr. 22, Poz. B)

Obr. 22



230V

23.11. Postup při zapojení kompresoru k nové skříňce



Před každou prací na údržbě nebo opravě kompresor vypněte a odpojte ze sítě (vytáhněte síťovou zástrčku).

Kompresor ve skříňce potřebuje pro správnou činnost, aby propojka/můstek (jumper) nebyly osazeny ve svorkovnici (Obr. 22, poz. A). Vypínač umístěný ve skříňce zapíná a vypíná celý výrobek včetně kompresoru.



Pokud je ve svorkovnici kompresoru připojeného ke skříňce osazená propojka/můstek, vypínač na skříňce kompresoru nebude funkční!

Pokud ke kompresoru, který předtím nefungoval samostatně (kompresor bez skříňky), chceme připojit novou skříňku, potom je nutné zrušit propojení ve svorkovnici kompresoru provedením dále

uvedeného postupu. (Obr. 22). (Viz také kap. 13.1 a 13.2).

POSTUP:

Demontáž propojky/mústku (postup B-A)

- Odpojte výrobek z elektrické sítě vytáhnutím vidlice ze zásuvky.
- Demontujte kryt elektropanelu (na kompresoru).
- Mústek je ve svorkovnici – B
- Vyjměte mústek ze svorkovnice – A
- Namontujte kryt elektropanelu zpět.
- Zasuňte kompresor do skříňky.
- Skříňku připojte ke kompresoru šňůrou s konektorem (1) do zásuvky (2). (Obr. 11).
- Odpojte displej na AD sušiči a připojte displej na předních dveřích skříňky (viz servisní manuál).
- Připojte výrobek do elektrické sítě.
- Kompresor uvedete do činnosti zapnutím vypínače (2) na tlakovém spínači (1) a vypínače (5) na skříňce (Obr. 17).

Kompresor se skříňkou – při činnosti ve skříňce **nesmí** být připojen do elektřiny. (Obr. 22, poz. A)

Poznámka: **Mústek, který není osazený ve svorkovnici, je nutné uschovat pro případ použití kompresoru bez skříňky nebo pro případ servisního zásahu**, na určené místo u elektropanelu.

23.12. Čištění a dezinfekce vnějších ploch výrobku

K čištění a dezinfekci vnějších ploch výrobku používejte neutrální prostředky.



Používání agresivních čisticích a dezinfekčních prostředků obsahujících alkohol a chloridy může vést k poškození povrchu a změně barvy výrobku.

24. ODSTAVENÍ

V případě, že se kompresor nebude delší dobu používat, doporučujeme vypustit kondenzát z tlakové nádoby a kompresor uvést do provozu asi na 10 minut s otevřeným ventilem pro vypuštění kondenzátu. Pak kompresor vypněte vypínačem (2) na tlakovém spínači (1) (Obr. 17), uzavřete ventil k vypouštění kondenzátu a odpojte zařízení od elektrické sítě.

25. LIKVIDACE PŘÍSTROJE

- Odpojte zařízení od elektrické sítě.
- Vypusťte tlak vzduchu v tlakové nádrži otevřením ventilu pro vypouštění kondenzátu.
- Zařízení zlikvidujte podle místně platných předpisů.
- Tříděním a likvidací odpadu pověřte specializovanou firmu.
- Části výrobku po skončení jeho životnosti nemají negativní vliv na životní prostředí.

VYHLEDÁVÁNÍ PORUCH A JEJICH ODSTRANĚNÍ



Nebezpečí úrazu elektrickým proudem.

Před zásahem do zařízení je nutné odpojit ho od elektrické sítě (vytáhnout síťovou zástrčku).



Nebezpečí úrazu při práci s pneumatickými částmi pod tlakem.

Před zásahem do zařízení je třeba snížit tlak ve vzdušníku, komorách AD sušiče a v pneumatickém systému na nulu.



Činnosti související s odstraňováním poruch smí provádět pouze kvalifikovaný odborník servisní služby.

Porucha	Možná příčina	Řešení
Kompresor se nespustí	V tlakovém spínači není napětí	Zkontrolujte napětí v zásuvce
		Zkontrolujte stav jističe – uveďte ho do stavu zapnuto „I“
		Vodič uvolněný ze svorky - opravte ho
		Zkontrolujte elektrickou šňůru – vadnou vyměňte
	Přerušené vinutí motoru, poškozená tepelná ochrana motoru	Vyměňte motor, resp. převiníte vinutí
	Vadný kondenzátor	Vyměňte kondenzátor
	Zadřený píst nebo jiná rotační část	Vyměňte poškozené části
	Nespíná tlakový spínač	Zkontrolujte funkčnost tlakového spínače
Vypínač skříňky nevypíná kompresor	Ve skříňce je umístěn kompresor, který fungoval samostatně (ve svorkovnici kompresoru je můstek).	Odstraňte můstek ve svorkovnici, viz kap. 23.11
Kompresor spíná často.	Únik vzduchu z pneumatického rozvodu	Zkontrolujte pneumatický rozvod – uvolněný spoj utěsněte
	Netěsnost zpětného ventilu (ZV)	Vyčistěte ZV, vyměňte těsnění, vyměňte ZV
	V tlakové nádobě je větší množství zkondenzované kapaliny	Vypusťte zkondenzovanou kapalinu
	Nízká výkonnost kompresoru	Zkontrolujte čas naplnění vzdušníku
Nízký tlak ve vzdušníku (kompresor je v provozu trvale)	Vysoká spotřeba vzduchu spotřebičem	Snížení spotřeby vzduchu Použití výkonnějšího kompresoru
	Netěsnosti v pneumatickém rozvodu	Kontrola pneumatického rozvodu – uvolněné spoje utěsnit
	Nízká výkonnost agregátu	Oprava / výměna agregátu
	Porucha agregátu	Oprava / výměna agregátu
	Porucha sušiče	Výměna sušiče
Chod kompresoru se prodlužuje.	Únik vzduchu z pneumatického rozvodu	Zkontrolujte pneumatický rozvod – uvolněný spoj utěsněte
	Opotřeбенý pístní kroužek	Vyměňte opotřeбенý pístní kroužek
	Znečištěný vstupní filtr	Vyměňte znečištěný filtr
	Nesprávná funkce elektromagnetického ventilu	Opravte nebo vyměňte ventil nebo cívku

Kompresor je hlučný (klepání, kovové zvuky)	Poškozené ložisko pístu, ojnice, ložisko motoru	Vyměňte poškozené ložisko
	Uvolněný (prasklý) tlumicí prvek (pružina)	Vyměňte poškozenou pružinu
Sušič nesuší (ve vzduchu objevuje kondenzát) *	Nefunkční ventilátor chladiče	Vyměňte ventilátor Zkontrolujte přívod elektrické energie
	Poškozený sušič	Vyměňte sušič
	Automatický odvod kondenzátu není funkční	Vyčistěte/vyměňte
Zhoršené sušení – vysoký tlakový rosný bod (ve vzduchu se objevuje kondenzát)	Nízký provozní tlak	Zmenšete odběr vzduchu, zkontrolujte výkonnost zdroje stlačeného vzduchu, odstraňte případné netěsnosti v rozvodu
	Nefunkční regenerační elektromagnetický ventil	Zkontrolujte funkčnost cívky, v případě poškození vyměňte Zkontrolujte stav ventilu – ventil vyčistěte, při přetrvávajících potížích vyměňte
	Ucpaná tryska regeneračního vzduchu	Trysku vyčistěte, případně vyměňte (viz údržba výrobku)
	Nefunkční ventilátory chladiče	Zkontrolujte přívod elektrické energie k ventilátorům Vyměňte poškozený ventilátor
	Znečištěný chladič	Zkontrolujte stav chladiče, v případě znečištění vyčistěte
	Ucpané tlumiče hluku na výstupu regeneračních ventilů	Zkontrolujte stav tlumičů. V případě velkého průtokového odporu nebo výrazného znečištění vyčistěte, případně tlumiče vyměňte.
Zvýšená hlučnost sušiče	Poškozený ventilátor	Vyměňte poškozený ventilátor
	Poškozený tlumič hluku	Tlumič hluku vyměňte
	Únik vzduchu přes přepouštěcí ventil na vstupu sušiče	Zkontrolujte připojení sušiče do elektrické sítě a zapojení sušiče, zkontrolujte činnost sušiče, zkontrolujte pracovní tlak sušiče, vadné komponenty vyměňte.
Únik vzduchu přes přepouštěcí ventil na vstupu sušiče	Vysoký pracovní tlak zdroje vzduchu	Zkontrolujte nastavení pracovního tlaku zdroje
	Nefunkční vstupní elektromagnetické ventily sušiče	Zkontrolujte funkčnost cívky, v případě poškození vyměňte Zkontrolujte stav ventilu – ventil vyčistěte, při přetrvávajících potížích vyměňte
	Vysoký tlak v zařízení z důvodu nadměrně zanesených filtrů	Zkontrolujte stav vnitřních filtrů i doplňkových filtračních souprav. Znečištěné filtrační vložky vyčistěte, případně vyměňte.

)* Při poruše sušiče je nutné důkladně vyčistit vnitřní povrch vzdušníku a dokonale odstranit zkondenzovanou kapalinu.

Po odstranění poruchy týkající se sušiče a po jeho zpětné montáži je doporučeno provést zrychlenou regeneraci sušiče – nejlépe nepřetržitým chodem kompresoru při tlaku zvýšeném o 1 bar po dobu alespoň 1 hodiny – a provést kontrolu sušení vzduchu.



K zajištění ochrany připojeného zařízení před poškozením je třeba zkontrolovat vlhkost vypouštěného vzduchu ze vzdušníku (viz kap. Technické údaje).

26. INFORMACE O OPRAVÁRENSKÉ SLUŽBĚ

Záruční a pozáruční opravy zajišťuje výrobce nebo firmy a servisní pracovníci určení dodavatelem.

Upozornění.

Výrobce si vyhrazuje právo provést u výrobku změny, které však neovlivní podstatné vlastnosti přístroje.

ANNEX / ANHANG / ANNEXE / ПРИЛОЖЕНИЕ / ZAŁĄCZNIK / PRÍLOHA / PŘÍLOHA**27. INSTALLATION RECORD**

1. Product: (model) DK50 2V/M DK50 2V S/M		2. Serial number:	
3.1. User's name:			
3.2. Address of installation:			
4. Equipment connected to the compressor:			
5. Installation / Commissioning:		6. Contents of operator training:	
Product completeness check **	Y	Description of the product and functions**	Y
	N		N
Documentation completeness check **	Y	Product operation: turning on/off, controls, control procedures, data on the display panel, alarms, operation in alarm conditions**	Y
	N		N
Installation/connection to equipment **	Y	Product maintenance: maintenance intervals, maintenance procedure, service intervals, operating activities**	Y
	N		N
Functional test **	Y	Safety measures, warnings – their meaning and compliance **	Y
	N		N
Notes:			
7. Operator instructed on safety measures, operations and maintenance:			
Name:		Signature:	
Name:		Signature:	
Name:		Signature:	
8. Installation and instruction performed by: First name/Last name		Signature:	
Company:		Address:	
Phone:			
Email:		Date:	
9. Distributor:			
Company:		Address:	
Contact person:			
Phone:		Email:	

** mark with an "X" in points 5 and 6 (Y - yes /N - no). Enter any observations from points 5 and 6 into the "Notes" section



27. INSTALLATIONSprotokoll

1. Produkt: (Modell) DK50 2V/M DK50 2V S/M		2. Seriennummer:	
3.1. Benutzername:			
3.2. Aufstellungsort:			
4. An den Kompressor angeschlossene Geräte:			
5. Installation / Inbetriebnahme:		6. Inhalte der Bedienschulung:	
Vollständigkeitsprüfung des Produkts**	J	Beschreibung des Produkts und der Funktionen**	J
	N		N
Dokumentation der Vollständigkeitsprüfung**	J	Produktbetrieb: Ein-/Ausschalten, Steuerungen, Steuerungsabläufe, Daten auf dem Display, Alarme, Betrieb bei Alarmzustand**	J
	N		N
Installation/Anschluss an Gerät**	J	Produktwartung: Wartungsintervalle, Wartungsablauf, Serviceintervalle, Betriebsabläufe**	J
	N		N
Funktionstest**	J	Sicherheitsmaßnahmen, Warnmeldungen – Bedeutung und Befolgung**	J
	N		N
Hinweise:			
7. Der Bediener wurde über die Sicherheitsmaßnahmen, über Abläufe und Wartung instruiert:			
Name:		Unterschrift:	
Name:		Unterschrift:	
Name:		Unterschrift:	
8 Installation und Anweisung vorgenommen durch: Vorname/Nachname		Unterschrift:	
Firma:		Adresse:	
Telefon:			
E-Mail:		Datum:	
9 Vertriebshändler:			
Firma:		Adresse:	
Ansprechpartner:			
Telefon:		E-Mail:	

**für Punkte 5 und 6 mit einem „X“ markieren (J - Ja/N - Nein). Geben Sie alle Beobachtungen aus den Punkten 5 und 6 im Abschnitt „Hinweise“ ein.



27. REGISTRE D'INSTALLATION

Produit : (modèle) DK50 2V/M DK50 2V S/M		2. Numéro de série :	
3.1. Nom de l'utilisateur :			
3.2. Adresse de l'installation :			
4. Équipement raccordé au compresseur :			
5. Installation/mise en service :		6. Contenu de la formation des opérateurs :	
Vérification de l'intégralité de l'appareil **	<input type="radio"/>	Description de l'appareil et de ses fonctions **	<input type="radio"/>
	<input type="radio"/>		<input type="radio"/>
Vérification de l'intégralité de la documentation **	<input type="radio"/>	Fonctionnement de l'appareil : mise en marche/arrêt, commandes, procédures de commande, données sur le panneau d'affichage, alarmes, fonctionnement des conditions d'alarme**	<input type="radio"/>
	<input type="radio"/>		<input type="radio"/>
Installation/raccordement à l'appareil	<input type="radio"/>	Entretien de l'appareil : Intervalles de maintenance, procédure d'entretien, intervalles d'entretien, activités d'exploitation**	<input type="radio"/>
	<input type="radio"/>		<input type="radio"/>
Test fonctionnel **	<input type="radio"/>	Mesures de sécurité, avertissements : signification et conformité **	<input type="radio"/>
	<input type="radio"/>		<input type="radio"/>
Remarque :			
7. Opérateur instruit sur les mesures de sécurité, les opérations et la maintenance :			
Nom :		Signature :	
Nom :		Signature :	
Nom :		Signature :	
8. Installation réalisée par : Prénom/Nom		Signature :	
Société :		Adresse :	
Téléphone :			
E-mail :		Date :	
9. Distributeur :			
Société :		Adresse :	
Personne de contact :			
Téléphone :		E-mail :	

** marquer d'un « X » aux points 5 et 6 (O - oui /N - non). Saisir les observations des points 5 et 6 dans la section « Remarques ».



27. ОТЧЕТ ОБ УСТАНОВКЕ

Изделие: (модель) DK50 2V/M DK50 2V S/M		2. Серийный номер:	
3.1. Имя пользователя:			
3.2. Адрес проведения установки:			
4. Оборудование, подсоединенное к компрессору			
5. Установка / ввод в эксплуатацию		6. Этапы подготовки оператора	
Проверка комплектации изделия**	Д	Описание изделия и его функций**	Д
	Н		Н
Проверка наличия документации**	Д	Эксплуатация изделия: включение и выключение, элементы управления, контрольные процедуры, отображение данных на дисплее, аварийные сигналы, эксплуатация в случае получения аварийных сигналов**	Д
	Н		Н
Установка / подсоединение к оборудованию**	Д	Техническое обслуживание: интервалы и процедуры технического обслуживания, служебные интервалы и эксплуатационные меры**	Д
	Н		Н
Функциональные испытания**	Д	Меры безопасности, предупреждения (их значение и соответствие им)**	Д
	Н		Н
Примечания			
7. Оператор проинструктирован по поводу мер безопасности, эксплуатации и технического обслуживания			
ФИО:		Подпись:	
ФИО:		Подпись:	
ФИО:		Подпись:	
8. Кем выполнены установка и инструктаж Имя / фамилия		Подпись:	
Компания:		Адрес:	
Телефон:			
Электронная почта:		Дата:	
9. Дистрибьютор			
Компания:		Адрес:	
Контактное лицо:			
Телефон:		Электронная почта:	

** Отметьте пп. 5 и 6 значком «X» («Да») или «Нет»). Внесите в раздел «Примечания» какие-либо замечания на основе данных пп. 5 и 6.



27. DOKUMENTACJA INSTALACJI

Product: (model) DK50 2V/M DK50 2V S/M		2. Numer seryjny	
3.1. Instrukcja obsługi:			
3.2. Adres instalacji:			
4. Sprzęt podłączony do sprężarki:			
5. Instalacja / Uruchomienie urządzenia:		6. Spis treści szkolenia operatorów:	
Sprawdzenie kompletności produktu **	T	Opis produktu i funkcji**	T
	N		N
Sprawdzanie kompletności dokumentów **	T	Działanie produktu: włączanie/wyłączanie, sterowanie, procedury sterowania, dane na wyświetlaczu, alarmy, obsługa w warunkach alarmowych**.	T
	N		N
Instalacja/podłączenie sprzętu **	T	Konserwacja produktu: przerwy między przeglądami, procedury konserwacji, okresy międzyprzeglądowe, działalności operacyjne**	T
	N		N
Test funkcjonalny **	T	Środki bezpieczeństwa, ostrzeżenia – ich znaczenie i zgodność **	T
	N		N
Uwagi::			
7. Operator został poinformowany o środkach bezpieczeństwa, działaniach i konserwacji:			
Imię i nazwisko:		Podpis:	
Imię i nazwisko:		Podpis:	
Imię i nazwisko:		Podpis:	
8. Instalacja i instruktaż przeprowadzone przez Imię/Nazwisko		Podpis:	
Firma:		Adres:	
Telefon:			
Email:		Data:	
9. Dystrybutor:			
Firma:		Adres:	
Osoba kontaktowa:			
Telefon:		Email: :	

** umieścić znak „X” w punktach 5 i 6 (T – tak /N – nie). Wszelkie uwagi z punktów 5 i 6 w rubryce „Uwagi”



27. ZÁZNAM O INŠTALÁCII

1. Výrobok: (typ) DK50 2V/M DK50 2V S/M		2. Výrobné číslo:	
3.1. Názov užívateľa:			
3.2. Adresa inštalácie:			
4. Zariadenia pripojené ku kompresoru:			
5. Inštalácia / Uvedenie do prevádzky:		6. Obsah zaučenia obsluhy:	
Kontrola úplnosti výrobku **	A	Popis výrobku a popis funkcie**	A
	N		N
Kontrola úplnosti dokumentácie **	A	Obsluha výrobku : zapnúť /vypnúť, ovládacie prvky, postupy ovládania, údaje na zobrazovacom paneli, alarmy, činnosť pri alarmoch**	A
	N		N
Inštalácia/pripojenie k zariadeniu **	A	Údržba výrobku : intervaly údržby, postup pri údržbe, servisné intervaly, činnosť obsluhy**	A
	N		N
Funkčná skúška **	A	Bezpečnostné opatrenia, upozornenia – ich význam a dodržiavanie **	A
	N		N
Poznámky:			
7. Obsluha poučená o bezpečnostných opatreniach, prevádzke a údržbe :			
Meno :		Podpis :	
Meno :		Podpis :	
Meno :		Podpis :	
8. Inštaláciu a poučenie vykonal: Meno/Priezvisko		Podpis:	
Firma:		Adresa:	
Telefón:			
E-mail :		Dátum:	
9. Distribútor:			
Firma:		Adresa:	
Kontaktná osoba :			
Telefón:		E-mail :	

** v bodoch 5 a 6 označiť "X" (A - áno /N - nie). Pozorovania k bodom 5 a 6 zapísať do časti „Poznámky“



27. ZÁZNAM O INSTALACI

Výrobek: (typ) DK50 2V/M DK50 2V S/M		2. Výrobní číslo:	
3.1. Jméno uživatele:			
3.2. Adresa instalace:			
4. Zařízení připojené ke kompresoru:			
5. Instalace / uvedení do provozu:		6. Obsah zaučení obsluhy:	
Kontrola úplnosti výrobku**	A	Popis výrobku a popis funkcí**	A
	N		N
Kontrola úplnosti dokumentace**	A	Obsluha výrobku: zap./vyp., ovládací prvky, postupy ovládání, údaje na zobrazovacím panelu, alarmy, činnosti při alarmech**	A
	N		N
Instalace / připojení k zařízení**	A	Údržba výrobku: intervaly údržby, postup při údržbě, servisní intervaly, činnost obsluhy**	A
	N		N
Zkouška funkčnosti **	A	Bezpečnostní opatření, upozornění – jejich význam a dodržování**	A
	N		N
Poznámky:			
7. Obsluha poučená o bezpečnostních opatřeních, provozu a údržbě:			
Jméno:		Podpis:	
Jméno:		Podpis:	
Jméno:		Podpis:	
8. Instalaci a poučení vykonal/a – Jméno/příjmení		Podpis:	
Firma:		Adresa:	
Telefon:			
E-mail:		Datum:	
9. Distributor:			
Firma:		Adresa:	
Kontaktní osoba:			
Telefon:		E-mail:	

** v bodech 5 a 6 označit „X“ (A – ano /N – ne). Pozorování k bodům 5 a 6 zapsat do části „Poznámky“.



DK50 2V/M

🏢 EKOM spol. s r.o.
Priemyselná 5031/18, 921 01 PIEŠŤANY
Slovak Republic
tel.: +421 33 7967 211, fax: +421 33 7967 223
e-mail: ekom@ekom.sk, www.ekom.sk

NP-DK50 2V-7_09-2024-AD
112000576-000

www.ekom.sk