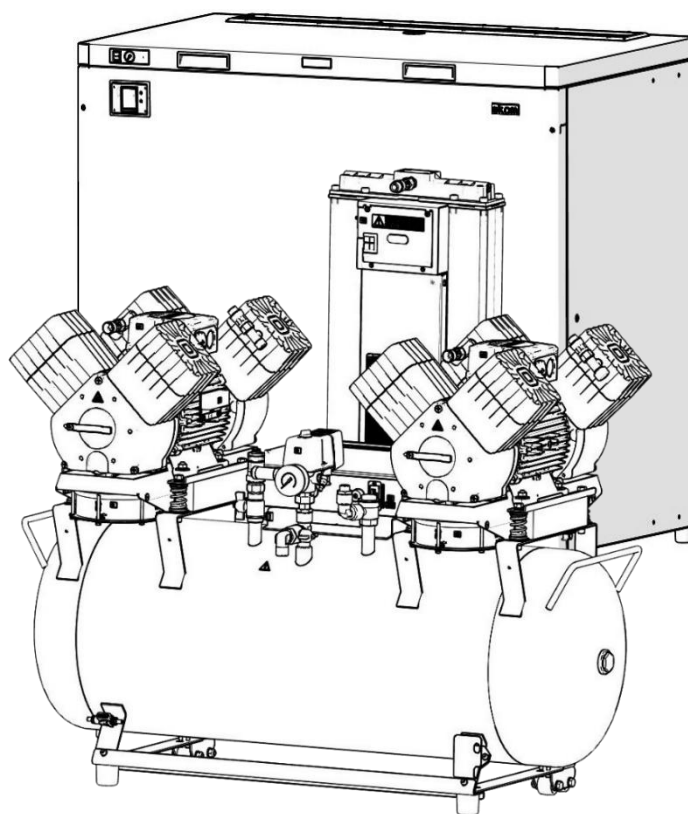
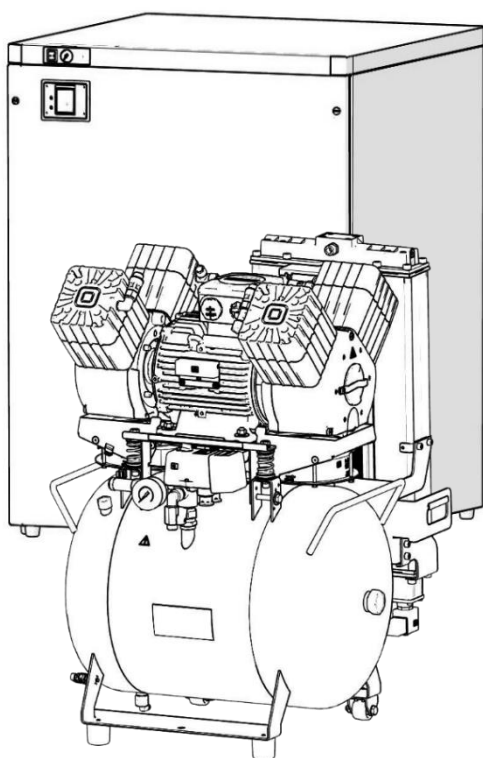




DK50 4VR/50/M

DK50 2X4VR/110/M

- EN USER MANUAL
- DE BENUTZERHANDBUCH
- FR MANUEL DE L'UTILISATEUR
- RU РУКОВОДСТВО ПОЛЬЗОВАТЕЛЯ
- PL INSTRUKCJA OBSŁUGI
- SK NÁVOD NA POUŽITIE
- CS NÁVOD K POUŽITÍ



CE

COMPRESSOR
KOMPRESSOR
COMPRESSEUR
КОМПРЕССОР
SPRĘŻARKA
KOMPRESOR

DK50 4VR/50/M
DK50 2x4VR/110/M



EKOM spol. s r. o.
Priemyselná 5031/18
SK-921 01 Piešťany
Slovak Republic
tel.: +421 33 7967255
fax: +421 33 7967223

www.ekom.sk
email: ekom@ekom.sk

DATE OF LAST REVISION
DATUM DER LETZTEN ÜBERARBEITUNG
DATE DE LA DERNIÈRE RÉVISION
ДАТА ПОСЛЕДНЕЙ РЕДАКЦИИ
DATA OSTATNIEJ AKTUALIZACJI
DÁTUM POSLEDNEJ REVÍZIE
DATUM POSLEDNÍ REVIZE

10/2024



NP-DK50 4VR 50, DK50
2x4VR 110-AD-10_10-2024
112000571-000

EN	<u>CONTENTS..... 5</u>
DE	<u>INHALT 77</u>
FR	<u>TABLES DES MATIÈRES 150</u>
RU	<u>ОГЛАВЛЕНИЕ 223</u>
PL	<u>SPIS TREŚCI 296</u>
SK	<u>OBSAH 369</u>
CS	<u>OBSAH 442</u>

CONTENTS

IMPORTANT INFORMATION	6
1. CONFORMITY WITH THE REQUIREMENTS OF EUROPEAN UNION DIRECTIVES	6
2. INTENDED USE	6
3. CONTRAINDICATIONS AND SIDE-EFFECTS	6
4. SYMBOLS.....	6
5. WARNINGS	7
6. STORAGE AND TRANSPORT CONDITIONS	9
PRODUCT DESCRIPTION	10
7. VARIANTS	10
8. ACCESSORIES	11
9. PRODUCT FUNCTION	12
TECHNICAL DATA	19
INSTALLATION	31
10. INSTALLATION CONDITIONS	31
11. COMPRESSOR ASSEMBLY	31
12. PNEUMATIC CONNECTION	36
13. ELECTRICAL CONNECTION	38
14. PLACEMENT OF THE COMPRESSOR IN THE CABINET	39
15. COMMISSIONING	46
16. PNEUMATIC AND ELECTRICAL DIAGRAMS	47
OPERATION	54
17. SWITCHING ON THE COMPRESSOR.....	55
18. SWITCHING OFF THE COMPRESSOR	55
AD DRYER	56
19. PRINCIPLE OF OPERATION	56
20. USER INTERFACE / SETTINGS	57
21. MAIN SCREENS.....	59
22. INDICATION OF MAINTENANCE AND ALARM STATES.....	61
PRODUCT MAINTENANCE	63
23. PRODUCT MAINTENANCE.....	63
24. LONG-TERM SHUTDOWN.....	73
25. DISPOSAL OF DEVICE	73
TROUBLESHOOTING	74
26. REPAIR SERVICE	76
ANNEX	515
26. INSTALLATION RECORD	515

IMPORTANT INFORMATION

1. CONFORMITY WITH THE REQUIREMENTS OF EUROPEAN UNION DIRECTIVES

This product conforms to the requirements of the Regulation (EU) on medical devices (MDR 2017/745) and is safe for the intended use if all safety instructions are followed.

2. INTENDED USE

The compressor is used as a source of clean, oil-free compressed air to power active medical devices where the parameters and properties of the compressed air are suitable for the specific application.



Compressed air supplied by the compressor is unsuitable for use with artificial lung ventilation devices.

Any other use of the product beyond its intended use is considered an incorrect use. The manufacturer is not liable for any damages or injuries resulting from the incorrect use.

3. CONTRAINDICATIONS AND SIDE-EFFECTS

There are no contraindications or side-effects known.

4. SYMBOLS

The following symbols and marks are used in the User manual, on the device and its packaging:



General warning



Warning - risk of electric shock



Warning - compressor is controlled automatically



Warning - hot surface



General caution



Read the operating instructions



Refer to instruction manual



CE – marking







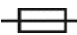







Medical device



Serial number



Article number

	Unique Device Identifier
	Swiss Authorised Representative
	Swiss Importer
	Protecting earthing
	Fuse
	Package handling label – fragile
	Package handling label – this side up
	Package handling label – keep dry
	Package handling label – temperature limits
	Package handling label – limited stacking
	Package label – recyclable material
	Manufacturer

5. WARNINGS

The product is designed and manufactured to be safe for the user and the surrounding environment when used in the defined manner. Keep the following warnings in mind.

5.1. General warnings

READ THE USER MANUAL CAREFULLY BEFORE USING THE DEVICE AND KEEP IT FOR FUTURE USE!

- The user manual supports the correct installation, operation and maintenance of the product. Careful review of this manual will provide the information necessary for the correct operation of the product for its intended use.
- Original packaging should be retained for the return of the device. Only the original packaging ensures protection of the device during transport. If it is necessary to return the product during the warranty period, the manufacturer is not liable for damages caused by improper packaging.
- This warranty does not cover damages originating from the use of accessories other than those specified or recommended by the manufacturer.
- The manufacturer only guarantees the safety, reliability and function of the device if:
 - installation, new settings, changes, expansion, and repairs are performed by the manufacturer or an organisation authorised by the manufacturer

- the product is used pursuant to the user manual
- The user manual corresponds to the configuration of the product and its compliance with the applicable safety and technical standards at the time of printing. The manufacturer reserves all rights for the protection of its configuration, methods and names.
- Translation of the user manual is performed in accordance with the best available knowledge. The Slovak version is to be used in the event of any uncertainties.
- This user manual is the original instructions. Translation is performed in accordance with the best available knowledge.

5.2. General safety warnings

The manufacturer designed and manufactured the product to minimise all risks when used correctly for the intended use. The manufacturer considers it its obligation to lay down the following general safety precautions.

- Use and operation of the product must comply with all laws and local regulations valid in the place of use. The operator and user are responsible for following all the appropriate regulations in the interests of performing work safely.
- Only the use of original parts guarantees the safety of operating personnel and the flawless operation of the product itself. Only the accessories and parts mentioned in the technical documentation or expressly approved by the manufacturer should be used.
- The operator must ensure that the device is functioning correctly and safely before every use.
- The user must be familiar with the operation of the device.
- Do not use the product in environments with a risk of explosion.
- The user must inform the supplier immediately if any problem directly related to the operation of the device occurs.
- Any serious incident that has occurred in relation to the device should be reported to the manufacturer and the competent authority of the Member State in which the user and / or patient is established.

5.3. Safety warnings on protection from electric current

- The device must only be connected to a properly installed, earthed socket.
- Before the product is plugged in, ensure that the mains voltage and frequency stated on the product are in compliance with the values of the mains.
- Prior to putting the device into operation check for any damage to the connected pneumatic lines and electrical wiring. Replace damaged pneumatic lines and electrical wirings immediately.
- Immediately disconnect the product from the mains (remove power cord from the socket) in hazardous situations or in the case of a technical malfunction.
- During all repairs and maintenance, ensure that:
 - the mains plug is removed from the power socket
 - pressure is vented from the air tank and pipes
- The product shall only be installed by a qualified technician.

6. STORAGE AND TRANSPORT CONDITIONS

The compressor is shipped from the manufacturer in transport packaging. This protects the product from damage during transport.



Potential for damage to pneumatic components.

The compressor must be transported only when all air has been vented. Before moving or transporting the compressor, release all the air pressure from the tank and pressure hoses and drain condensate from the tank and from the condensate separator on the dryer.



Keep the original factory packaging in case the device needs to be returned Use the original factory packaging during transport as it provides optimum protection for the product. If it is necessary to return the product during the warranty period, the manufacturer is not liable for damages caused by improper packaging.



The compressor is shipped in a vertical position and must be secured using transport straps.



Protect the compressor from humid and dirty environments and extreme temperatures during transport and storage. Do not store near any volatile chemical substances.



If not, please dispose of the original packaging material in an environmentally-friendly way. The packaging cardboard can be recycled with old paper.



Storing or shipping the equipment in any conditions other than those specified below is prohibited.

6.1. Ambient conditions

Products may only be stored and transported in vehicles that are free of any traces of volatile chemicals under the following climactic conditions:

Temperature

–25°C to +55°C

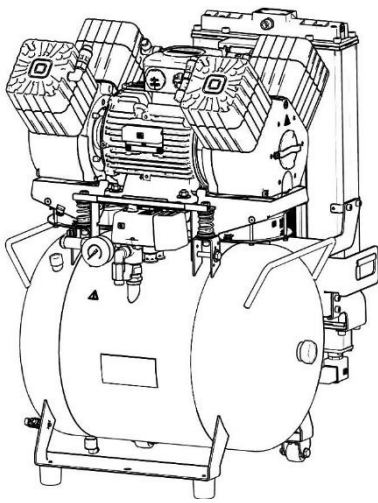
Relative humidity

max. 90% (non-condensing)

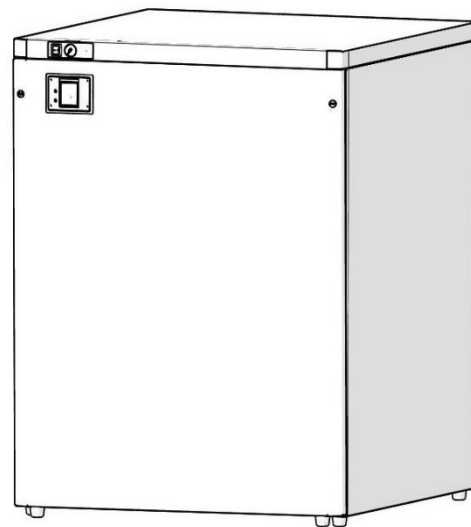
PRODUCT DESCRIPTION**7. VARIANTS**

The compressor is manufactured according to its intended application in the following variants:

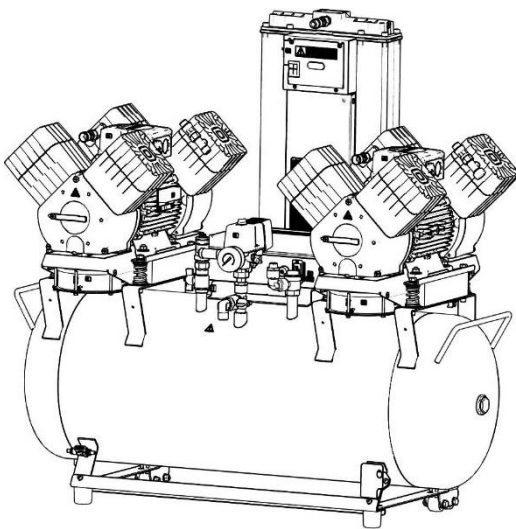
DK50 4VR/50/M	Compressor with adsorption dryer.
DK50 4VR/50 S/M	Compressor in cabinet with adsorption dryer
Cabinet S50R	It decreases noise level of the compressor
DK50 2x4VR/110/M	Compressor with adsorption dryer
DK50 2x4VR/110S/M	Compressor in cabinet with adsorption dryer
Cabinet S110R	It decreases noise level of the compressor.



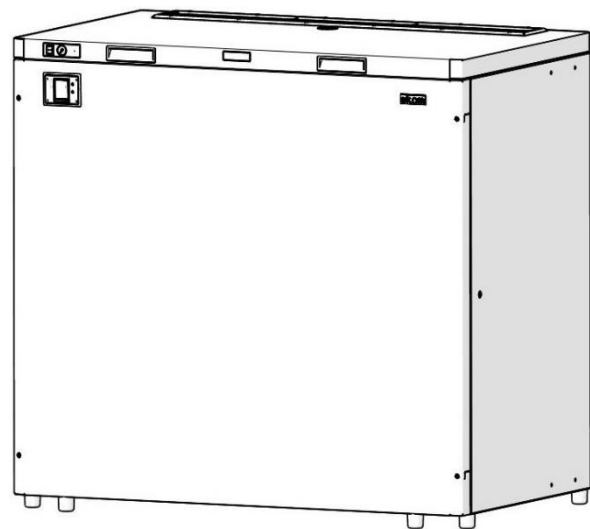
DK50 4VR/50/M



S50R
DK50 4VR/50S/M



DK50 2x4VR/110/M



S110R
DK50 2x4VR/110S/M

8. ACCESSORIES

Accessories that are not included in the standard order must be ordered separately.

Set of compressed air outlet filters

The compressor may be equipped with a set of filters if specified. The filter set may be equipped with an air pressure regulator.



Where a different level of air filtration is required, this requirement must be agreed upon with the supplier and specified in the order.

Type	Use	Level of filtration (µm)	Article number
FS 30F		1	604014119-014
FS 30M	DK50 4VR/50/M	1+0.1	604014119-015
FS 30S		1+0.01	604014119-017
FS 30A		1+0.01+A**	604014119-018*
FS 40F		1	604014119-000
FS 40M	DK50	1+0.1	604014119-004
FS 40S	2x4VR/110/M	1+0.01	604014119-024
FS 40AH		1+AC+HC (0.01)	604014119-005

**) A –submicrofilter with activated carbon

*) - set **FS 30A**, in the standard configuration, this cannot be combined with a pressure regulator on products DK50 4VR/50/M; please contact your supplier if you are interested in such set (with a regulator)

Filter set regulator assembly

The compressor may be equipped with a pressure regulator of the compressed air outlet if specified. The regulator must be selected according to the application to the filter set, or separately The regulator shall ensure constant pressure at the outlet.

Type	Use	Article number
Regulator complete (to the filter assembly)	DK50 4VR/50/M	604014130-000
REG12 (separate)		447000001-088
Regulator complete	DK50 2x4VR/110/M	604014125-000
REG15		447000001-243

Filter set brackets



A suitable bracket must be ordered for every filter set.

Type	Use	Article number
Compressor-mounted bracket	DK50 4VR/50/M	603014177-000
Compressor-mounted bracket	DK50 2x4VR/110/M	604014131-000
Wall-mounted bracket		603014120-000

3KOM modules for controlling multiple compressors in Master-Slave functionality

A 3KOM control module may be ordered to manage the operation of 2 or 3 identical compressors with the same pressure range in Master-Slave functionality. In use, the controller in the module takes over the compressor switching function. The control module may be ordered in the configurations shown in the following table.

Compressor model	Control schematic	Article number	System air outlet
DK50 4VR/50/M	1+1	603002152-000	G3/4"
DK50 2x4VR/110/M	1+1+1		

Equipotential bonding socket

The socket allows an equipotential bonding

Type	Use	Name	Article number
POAG-KBT6-EC	DK50 4VR/50S/M	Mains plug connector	033400075-000
FLEXI-S/POAG-HK6	DK50 2x4VR/110S/M	Conductor (1m)	034110083-000

9. PRODUCT FUNCTION

9.1. Compressor with adsorption dryer

(Fig. 1, Fig. 2) The compressor air pump (1) draws in air through the inlet filter (8) and compresses it through a non-return valve (3) and into a manifold, from which it is routed to the adsorption dryer (9) through a connecting hose. From the inlet to the dryer module, the air is first cooled in the integrated cooler (17) and then moves through the condensate separator (24), entering the active chamber with adsorbent (19), where the air is dried. A portion of the air is fed into the second, regeneration chamber, where this air is used to remove moisture from the adsorbent, after. The active chamber switches on a cyclical basis. The dry air then passes through the non-return valve (3) into the air tank (2).

* For DK50 4VR/50/M compressors, the manifold with the non-return valve is not used and the air is routed directly to the air dryer.

9.2. Compressor cabinet

(Fig. 4) The soundproof cabinet provides compact covering of the compressor, dampens noise efficiently, providing sufficient exchange of cooling air. With its design It can be placed in a dentist's office as a part of furniture. The fan (10) under the compressor pump provides cooling of the compressor. It is in operation at the same time with the compressor motor or after switching on the temperature switch at temperature above 40°C. After cooling the cabinet area approximately under 32°C, the fan turns off automatically. The dryer display (33) is located on the front panel of the cabinet.



Risk of compressor overheating.

Make sure that there are no obstacles at the cooling air inlet into the cabinet (around the bottom part of the cabinet) and at the hot air outlet on the top back side of the cabinet.

If the compressor is placed on a soft floor, e.g. carpet, create space between the base and the floor or the cabinet and the floor, e.g. underlay the footings with hard pads to ensure sufficient cooling of the compressor.

Descriptions for figures 1 - 3

1	Air pump	22	Regeneration solenoid valve
2	Air tank	23	Dryer fan
3	Non-return valve	24	Condensate separator
4	Pressure switch	25	Condensate drain solenoid vane
5	Safety valve	26	*Dryer display
6	Pressure gauge	27	Compressed air outlet
7	Drain valve	28	Cabinet fan
8	Inlet filter	29	Cabinet pressure gauge
9	Adsorption dryer	30	Switch
10	Compressor fan	31	Connector of cabinet
11	Condensate collection vessel	32	Pressure gauge hose
12	Magnetic holder	33	Cabinet display
13	Compressed air outlet	34	Cabinet gas springs
14	Electrical box / switchboard	35	Pulling system
15	***Dew point sensor	36	Power cord
16	Outlet module	37	**Bushing
17	Cooling module	38	Outlet from condensate separator and regeneration valves
18	Electrical panel	39	Wheels
19	Dryer chamber	40	Wall stop
20	Inlet valve module	41	Connecting reinforcement
21	Compressed air inlet	42	Handle

- * Position (26) applies to the DK50 4VR/50/M, DK50 2x4VR/110/M model without the cabinet; position (26) in the case of the DK50 4VR/50 S/M, DK50 2x4VR/110 S/M with the cabinet is a simple cover.
- ** For the cabinet model, the cable connected to the display (33) in the front panel of the cabinet is routed through the universal bushing (37).
- *** Applies to model with dew point sensor.

Fig. 1: DK50 4VR/50/M – Compressor with adsorption dryer

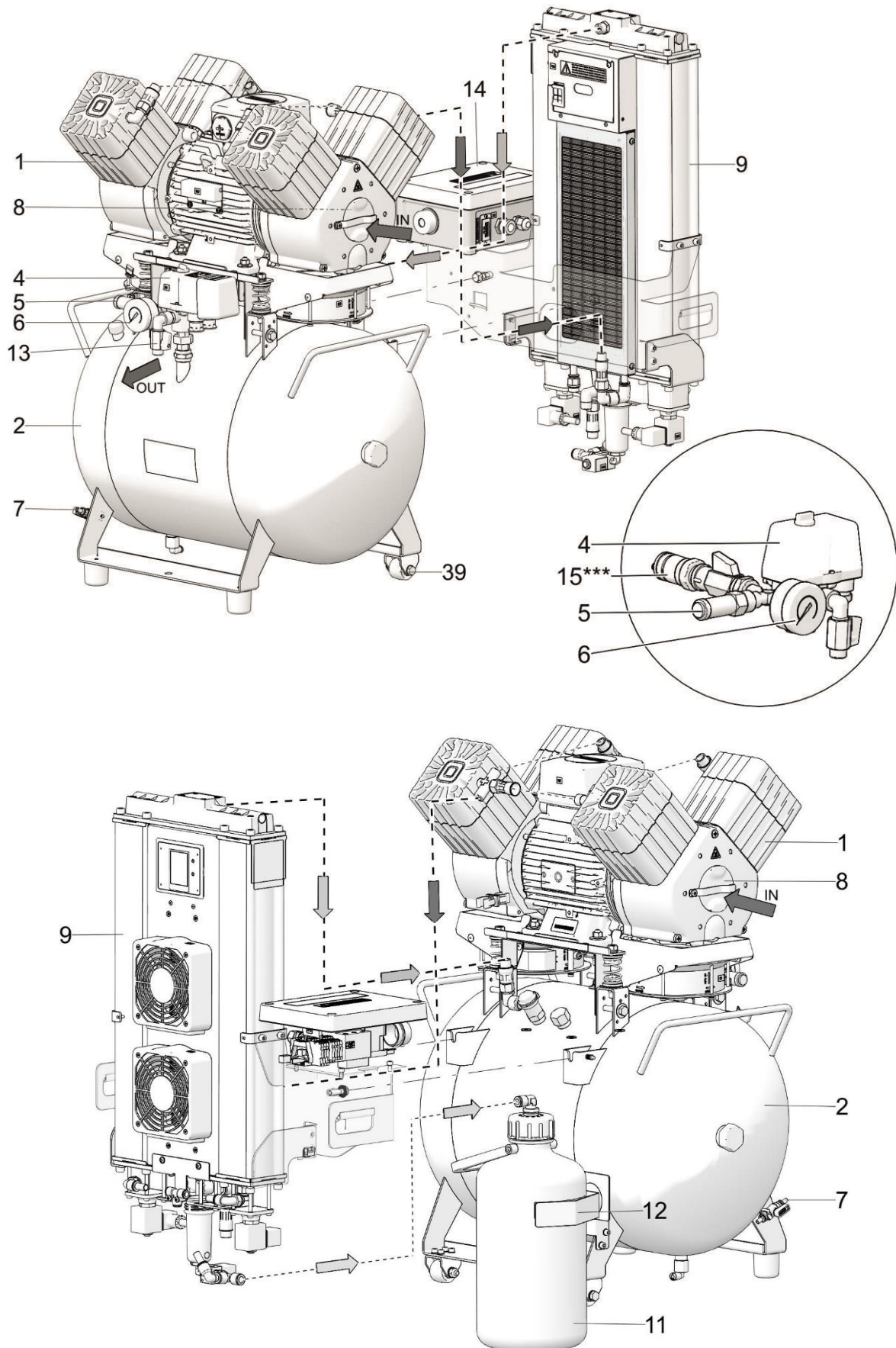


Fig. 2: DK50 2x4VR/110/M –Compressor with adsorption dryer

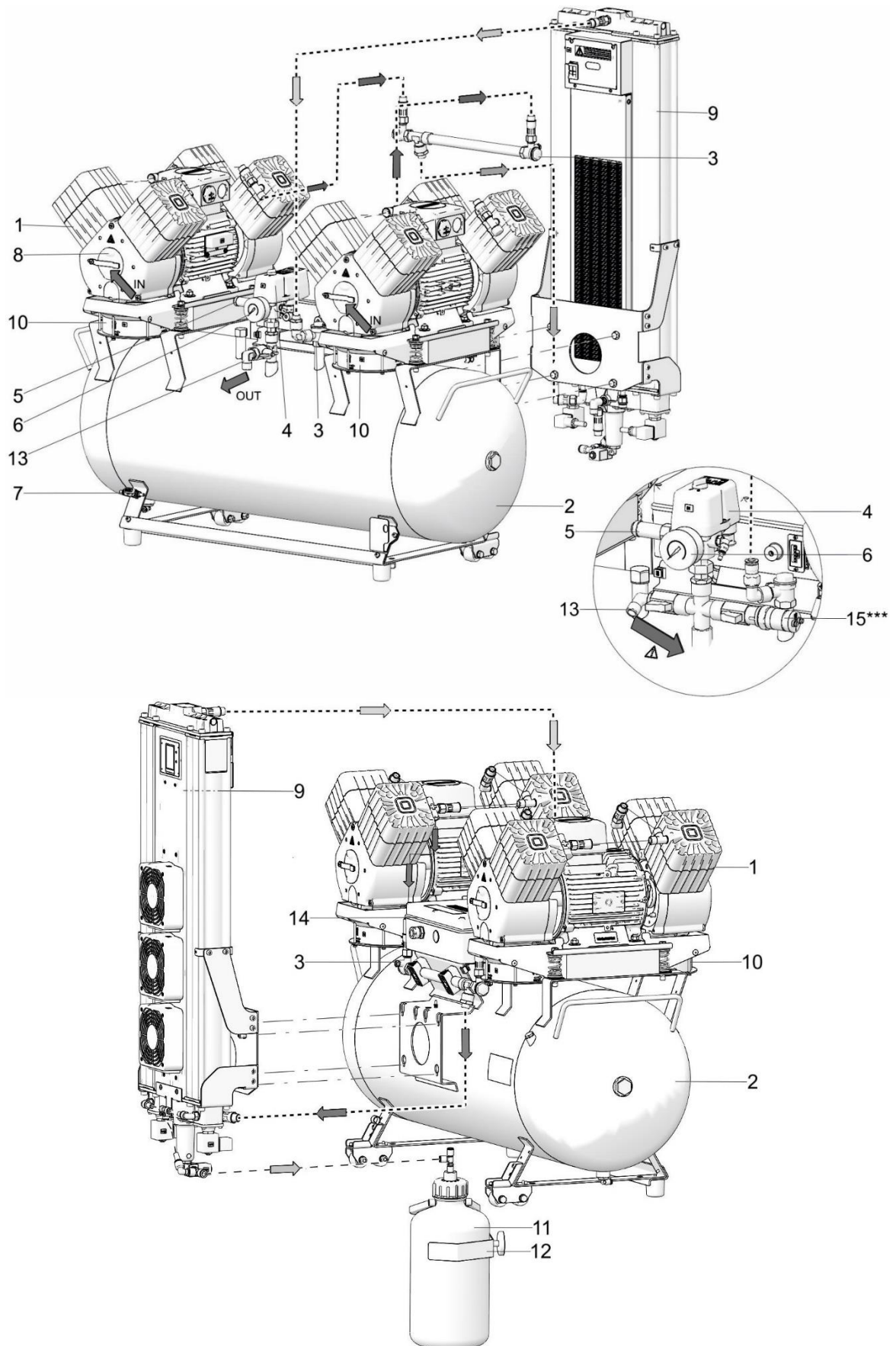
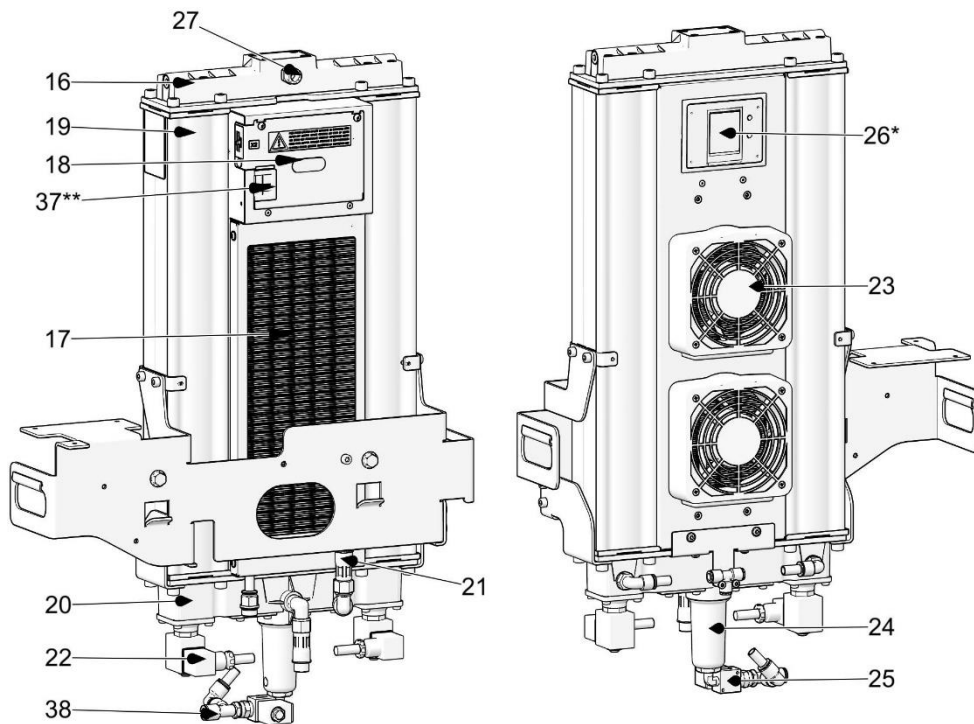
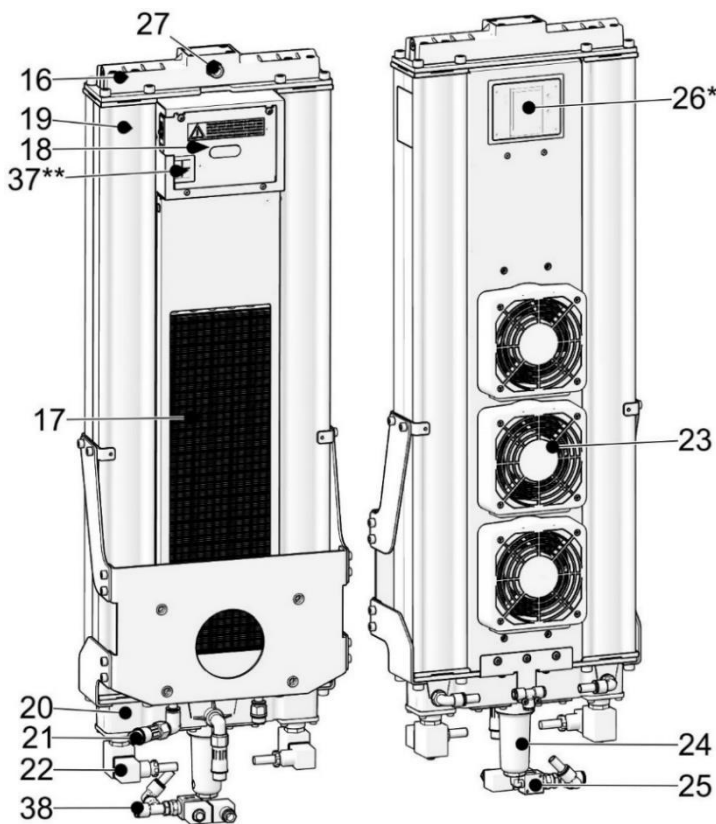


Fig. 3: Adsorption dryer



ADM 280/50

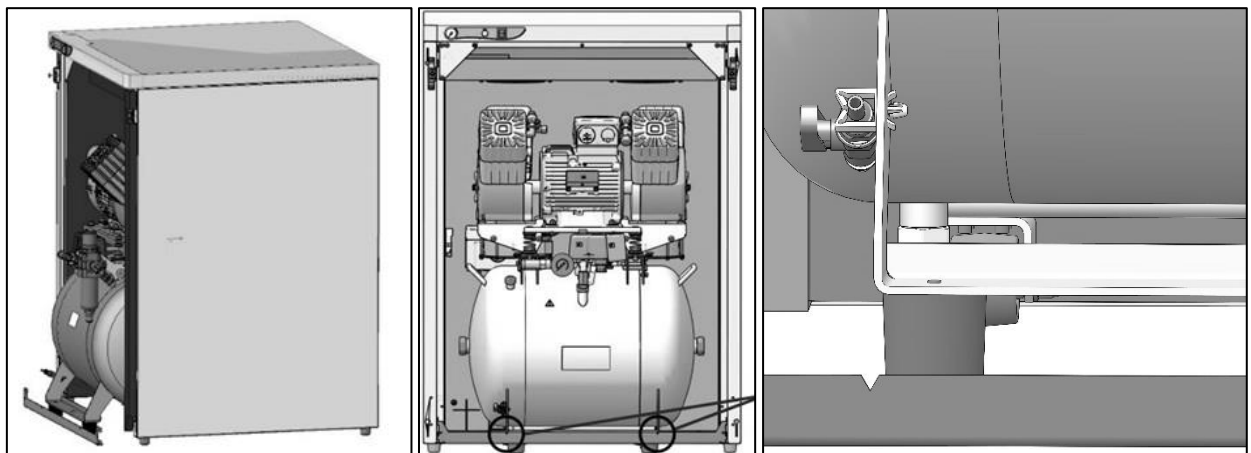
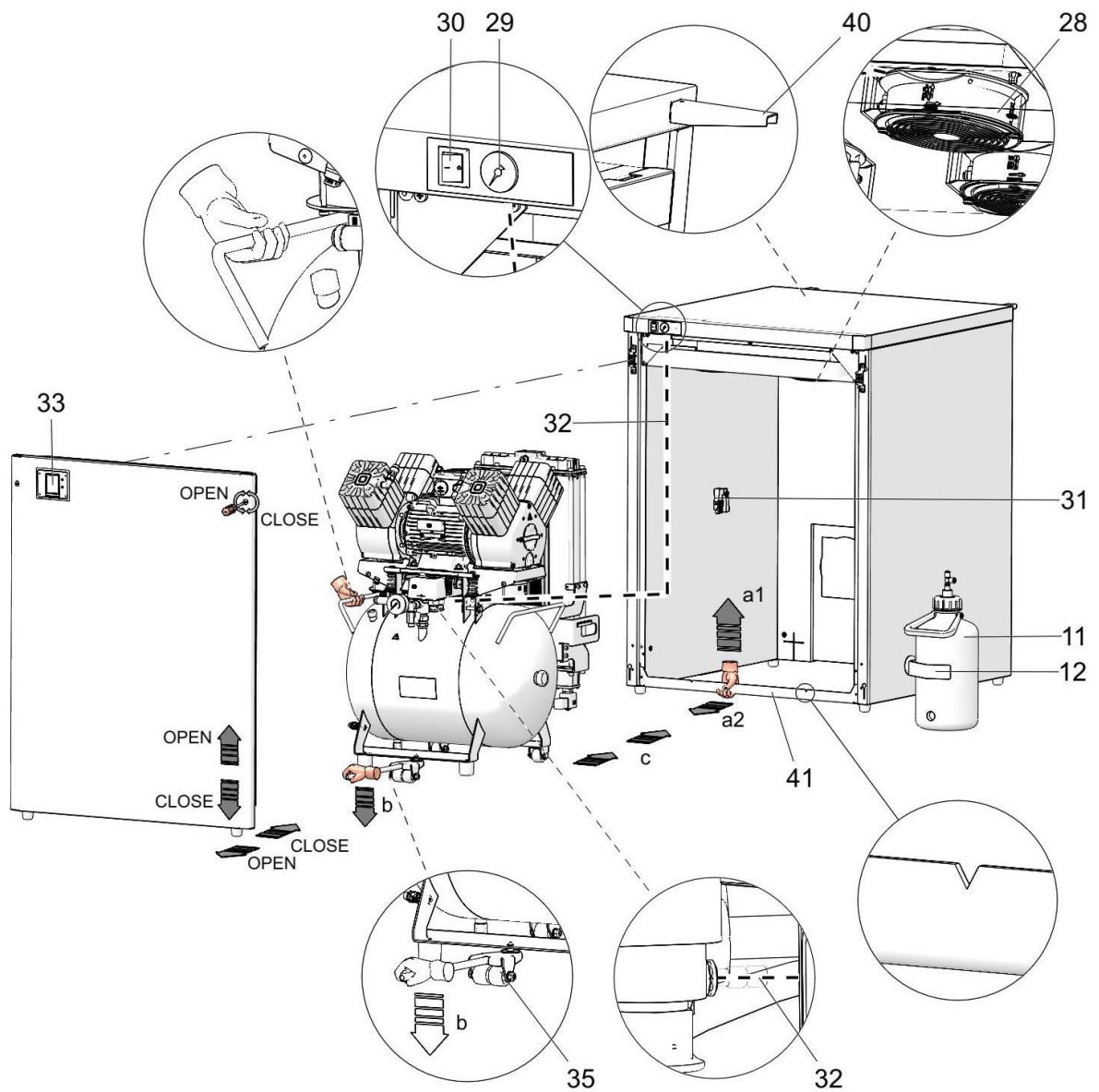


ADM 500/110

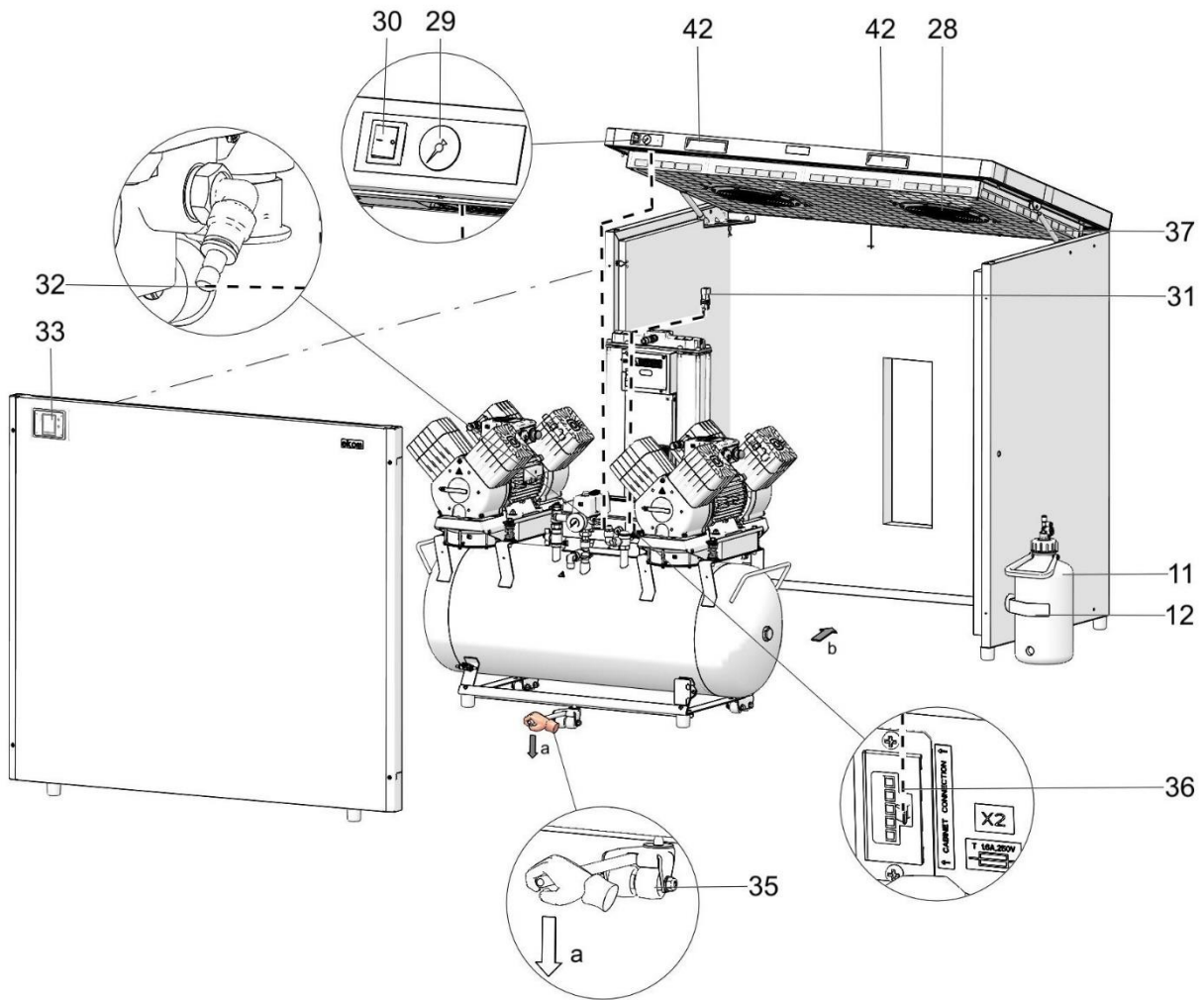
* Position (26) applies to the DK50 4VR/50/M, DK50 2x4VR/110/M model without the cabinet; position (26) in the case of the DK50 4VR/50 S/M, DK50 2x4VR/110 S/M with the cabinet is a simple cover.

** For the cabinet model, the cable connected to the display (33) in the front panel of the cabinet is routed through the universal bushing (37).

Fig. 4: Cabinet



A - DK50 4VR/50S/M



B - DK50 2x4VR/110S/M

TECHNICAL DATA

Compressors are designed for operation in dry, ventilated and dust-free indoor rooms under the following climactic conditions:

Temperature +5°C to +40°C

Relative humidity max. 70%

Working pressure 6 – 8 bar		DK50 4VR/50/M	DK50 4VR/50 S/M
Rated voltage, Frequency ^{a)}	V, Hz	3x400, 50	3x400, 50
Capacity at 6 bar (FAD)	l/min	235	235
Working pressure ^{b)}	bar	6.0 – 8.0	6.0 – 8.0
Rated current	A	5.4	5.8
Motor power	kW	2.2	2.2
Air tank volume	l	50	50
Air quality - filtration	µm	-	-
Maximum operating pressure of safety valve	bar	9.0	9.0
Noise level at 5 bar (L _{pA})	dB	≤ 73.5	≤ 56.0
Operating mode	%	S1-100	S1-100
PDP drying performance at 7 bar ^{d)}	°C	≤ -20	≤ -20
Dryer low pressure alarm	bar	< 3	< 3
Dryer high pressure alarm	bar	> 9	> 9
Dryer high dew point alarm	°C	> -20	> -20
Time to fill air tank from 0 to 7 bar	s	85	85
Dimensions (net) w x d x h	mm	580x590x815	750x780x1015
Net weight ^{c)}	kg	95	151
Classification under EN 60601-1		Class I.	

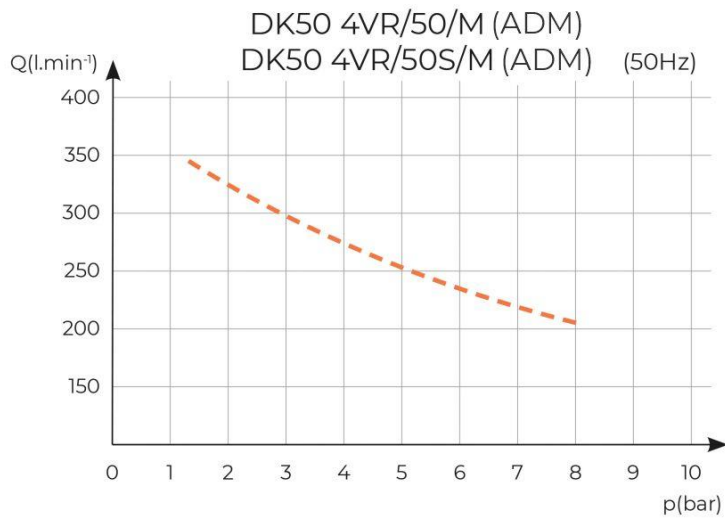
^{a)} Specify the compressor version when ordering

^{b)} Consult any other range of pressure with the supplier

^{c)} Weight is indicative and only applies to the product without accessories

^{d)} Applies to ambient temperatures of <30°C PDP – pressure dew point

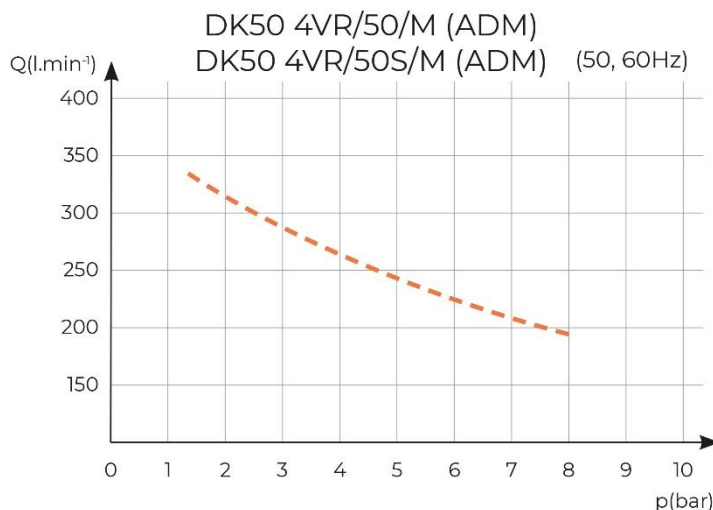
Dependence of compressor output on working pressure



Working pressure 6 – 8 bar		DK50 4VR/50/M	DK50 4VR/50 S/M
Rated voltage, Frequency ^{a)}	V, Hz	3x400, 50/60	3x400, 50
Capacity at 6 bar (FAD)	l/min	225	225
Working pressure ^{b)}	bar	6.0 – 8.0	6.0 – 8.0
Rated current	A	5.4	5.8
Motor power	kW	2.2	2.2
Air tank volume	l	50	50
Air quality - filtration	µm	-	-
Maximum operating pressure of safety valve	bar	9.0	9.0
Noise level at 5 bar (L _{pA})	dB	≤ 73.5	≤ 56.0
Operating mode	%	S1-100	S1-100
PDP drying performance at 7 bar ^{d)}	°C	≤ -40	≤ -40
Dryer low pressure alarm	bar	< 3	< 3
Dryer high pressure alarm	bar	> 9	> 9
Dryer high dew point alarm	°C	> -40	> -40
Time to fill air tank from 0 to 7 bar	s	90	90
Dimensions (net) w x d x h	mm	580x590x815	750x780x1015
Net weight ^{c)}	kg	95	151
Classification under EN 60601-1		Class I.	

- ^{a)} Specify the compressor version when ordering
- ^{b)} Consult any other range of pressure with the supplier
- ^{c)} Weight is indicative and only applies to the product without accessories
- ^{d)} Applies to ambient temperatures of <30°C PDP – pressure dew point

Dependence of compressor output on working pressure



Working pressure 8 – 10 bar		DK50 4VR/50/M	DK50 4VR/50 S/M
Rated voltage, Frequency ^{a)}	V, Hz	3x400, 50	3x400, 50
Capacity at 8 bar (FAD)	l/min	195	195
Working pressure ^{b)}	bar	8.0 – 10.0	8.0 – 10.0
Rated current	A	5.4	5.9
Motor power	kW	2.2	2.2
Air tank volume	l	50	50
Air quality - filtration	µm	-	-
Maximum operating pressure of safety valve	bar	12.0	12.0
Noise level at 5 bar (L _{pA})	dB	≤ 73.5	≤ 56.0
Operating mode	%	S1-100	S1-100
PDP drying performance at 7 bar ^{d)}	°C	≤ -20	≤ -20
Dryer low pressure alarm	bar	< 3	< 3
Dryer high pressure alarm	bar	> 11	> 11
Dryer high dew point alarm	°C	> -20	> -20
Time to fill air tank from 0 to 7 bar	s	105	105
Dimensions (net) w x d x h	mm	580x590x815	750x780x1015
Net weight ^{c)}	kg	95	151
Classification under EN 60601-1		Class I.	

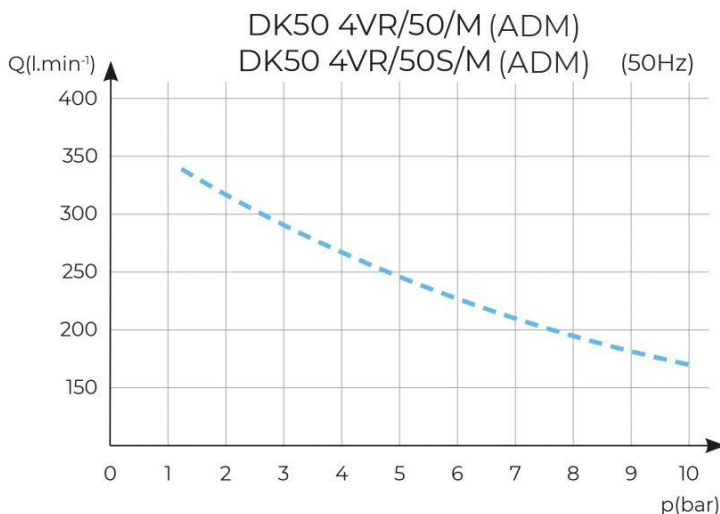
^{a)} Specify the compressor version when ordering

^{b)} Consult any other range of pressure with the supplier

^{c)} Weight is indicative and only applies to the product without accessories

^{d)} Applies to ambient temperatures of <30°C PDP – pressure dew point

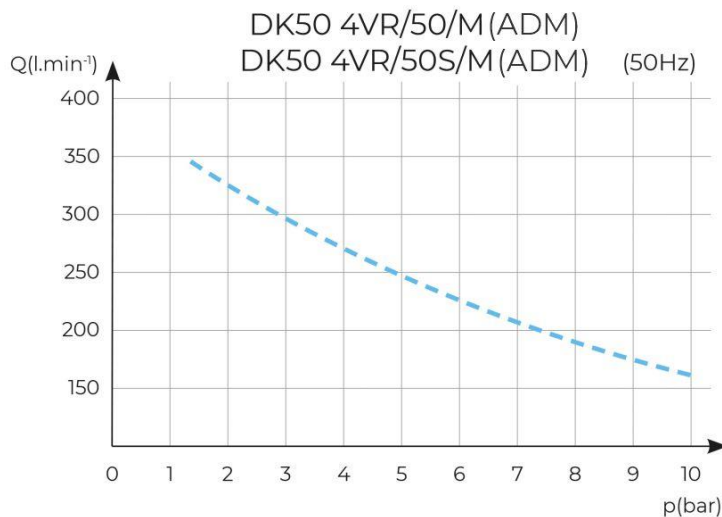
Dependence of compressor output on working pressure



Working pressure 8 – 10 bar		DK50 4VR/50/M	DK50 4VR/50 S/M
Rated voltage, Frequency ^{a)}	V, Hz	3x400, 50	3x400, 50
Capacity at 8 bar (FAD)	l/min	190	190
Working pressure ^{b)}	bar	8.0 – 10.0	8.0 – 10.0
Rated current	A	5.4	5.9
Motor power	kW	2.2	2.2
Air tank volume	l	50	50
Air quality - filtration	µm	-	-
Maximum operating pressure of safety valve	bar	12.0	12.0
Noise level at 5 bar (L _{pA})	dB	≤ 73.5	≤ 56.0
Operating mode	%	S1-100	S1-100
PDP drying performance at 7 bar ^{d)}	°C	≤ -40	≤ -40
Dryer low pressure alarm	bar	< 3	< 3
Dryer high pressure alarm	bar	> 11	> 11
Dryer high dew point alarm	°C	> -40	> -40
Time to fill air tank from 0 to 7 bar	s	105	105
Dimensions (net) w x d x h	mm	580x590x815	750x780x1015
Net weight ^{c)}	kg	95	151
Classification under EN 60601-1		Class I.	

- ^{a)} Specify the compressor version when ordering
- ^{b)} Consult any other range of pressure with the supplier
- ^{c)} Weight is indicative and only applies to the product without accessories
- ^{d)} Applies to ambient temperatures of <30°C PDP – pressure dew point

Dependence of compressor output on working pressure



Working pressure 6 – 8 bar		DK50 2x4VR/110/M	DK50 2x4VR/110S/M
Rated voltage, Frequency ^{a)}	V, Hz	3x400V, 50Hz	3x400V, 50Hz
Capacity at 6 bar (FAD)	l/min	470	470
Working pressure ^{b)}	bar	6.0 – 8.0	6.0 – 8.0
Rated current	A	10.8	11.2
Motor power	kW	2x2.2	2x2.2
Air tank volume	l	110	110
Air quality - filtration	µm	-	-
Maximum operating pressure of safety valve	bar	9.0	9.0
Noise level at 5 bar (L _{pA})	dB	≤ 77.5	≤ 62.0
Operating mode	%	S1-100	S1-100
PDP drying performance at 7 bar ^{d)}	°C	≤ -20	≤ -20
Dryer low pressure alarm	bar	< 3	< 3
Dryer high pressure alarm	bar	> 9	> 9
Dryer high dew point alarm	°C	> -20	> -20
Time to fill air tank from 0 to 7 bar	s	95	95
Dimensions (net) w x d x h	mm	1085x675x1050	1260x830x1205
Net weight ^{c)}	kg	186	286
Classification under EN 60601-1		Class I.	

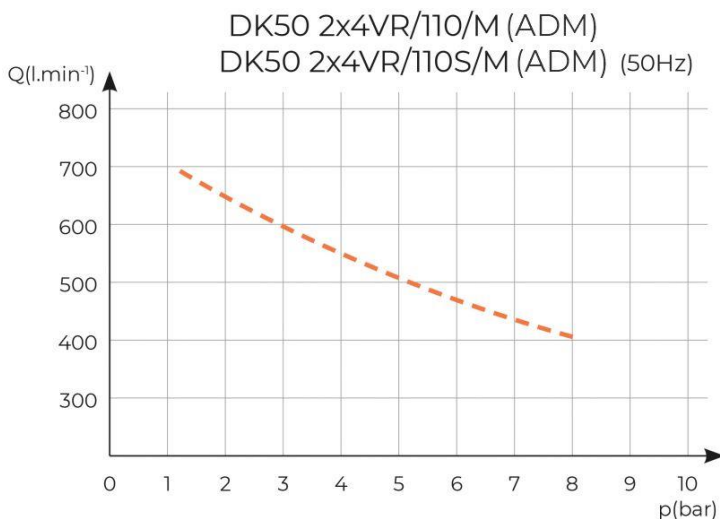
^{a)} Specify the compressor version when ordering

^{b)} Consult any other range of pressure with the supplier

^{c)} Weight is indicative and only applies to the product without accessories

^{d)} Applies to ambient temperatures of <30°C PDP – pressure dew point

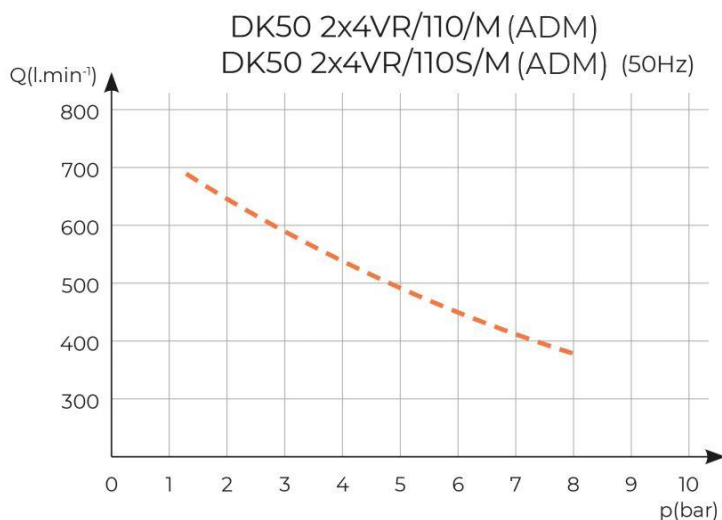
Dependence of compressor output on working pressure



Working pressure 6 – 8 bar		DK50 2x4VR/110/M	DK50 2x4VR/110S/M
Rated voltage, Frequency ^{a)}	V, Hz	3x400V, 50Hz	3x400V, 50Hz
Capacity at 6 bar (FAD)	l/min	450	450
Working pressure ^{b)}	bar	6.0 – 8.0	6.0 – 8.0
Rated current	A	10.8	11.2
Motor power	kW	2x2.2	2x2.2
Air tank volume	l	110	110
Air quality - filtration	µm	-	-
Maximum operating pressure of safety valve	bar	9.0	9.0
Noise level at 5 bar (L _{pA})	dB	≤ 77.5	≤ 62.0
Operating mode	%	S1-100	S1-100
PDP drying performance at 7 bar ^{d)}	°C	≤ -40	≤ -40
Dryer low pressure alarm	bar	< 3	< 3
Dryer high pressure alarm	bar	> 9	> 9
Dryer high dew point alarm	°C	> -40	> -40
Time to fill air tank from 0 to 7 bar	s	100	100
Dimensions (net) w x d x h	mm	1085x675x1050	1260x830x1205
Net weight ^{c)}	kg	186	286
Classification under EN 60601-1		Class I.	

- ^{a)} Specify the compressor version when ordering
- ^{b)} Consult any other range of pressure with the supplier
- ^{c)} Weight is indicative and only applies to the product without accessories
- ^{d)} Applies to ambient temperatures of <30°C PDP – pressure dew point

Dependence of compressor output on working pressure



Working pressure 8 – 10 bar		DK50 2x4VR/110/M	DK50 2x4VR/110S/M
Rated voltage, Frequency ^{a)}	V, Hz	3x400V, 50Hz	3x400V, 50Hz
Capacity at 8 bar (FAD) -20°C	l/min	395	395
Working pressure ^{b)}	bar	8.0 – 10.0	8.0 – 10.0
Rated current	A	10.3	10.8
Motor power	kW	2x2.2	2x2.2
Air tank volume	l	110	110
Air quality - filtration	µm	-	-
Maximum operating pressure of safety valve	bar	12.0	12.0
Noise level at 5 bar (L _{pA})	dB	≤ 77.5	≤ 62.0
Operating mode	%	S1-100	S1-100
PDP drying performance at 7 bar ^{d)}	°C	≤ -20	≤ -20
Dryer low pressure alarm	bar	< 3	< 3
Dryer high pressure alarm	bar	> 11	> 11
Dryer high dew point alarm	°C	> -20	> -20
Time to fill air tank from 0 to 7 bar	s	115	115
Dimensions (net) w x d x h	mm	1085x675x1050	1260x830x1205
Net weight ^{c)}	kg	186	286
Classification under EN 60601-1		Class I.	

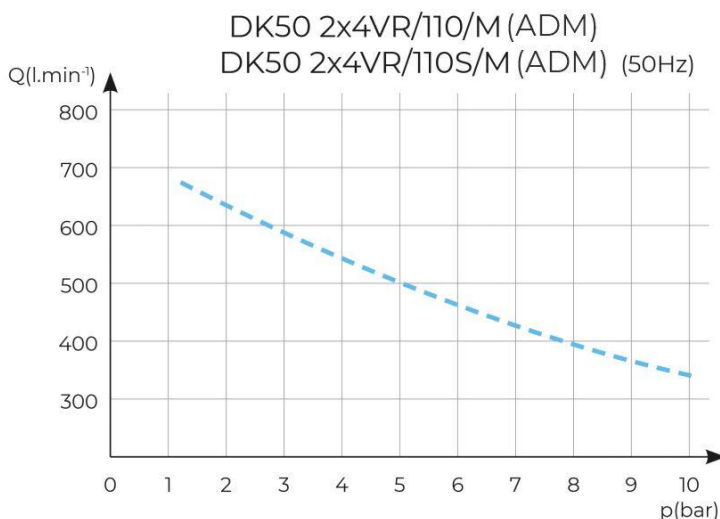
^{a)} Specify the compressor version when ordering

^{b)} Consult any other range of pressure with the supplier

^{c)} Weight is indicative and only applies to the product without accessories

^{d)} Applies to ambient temperatures of <30°C PDP – pressure dew point

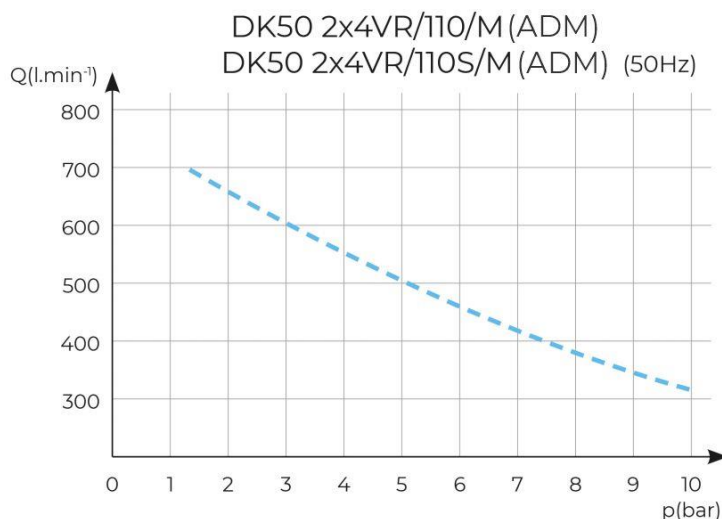
Dependence of compressor output on working pressure



Working pressure 8 – 10 bar		DK50 2x4VR/110/M	DK50 2x4VR/110S/M
Rated voltage, Frequency ^{a)}	V, Hz	3x400V, 50Hz	3x400V, 50Hz
Capacity at 8 bar (FAD)	l/min	380	380
Working pressure ^{b)}	bar	8.0 – 10.0	8.0 – 10.0
Rated current	A	10.3	10.8
Motor power	kW	2x2.2	2x2.2
Air tank volume	l	110	110
Air quality - filtration	µm	-	-
Maximum operating pressure of safety valve	bar	12.0	12.0
Noise level at 5 bar (L _{pA})	dB	≤ 77.5	≤ 62.0
Operating mode	%	S1-100	S1-100
PDP drying performance at 7 bar ^{d)}	°C	≤ -40	≤ -40
Dryer low pressure alarm	bar	< 3	< 3
Dryer high pressure alarm	bar	> 11	> 11
Dryer high dew point alarm	°C	> -40	> -40
Time to fill air tank from 0 to 7 bar	s	120	120
Dimensions (net) w x d x h	mm	1085x675x1050	1260x830x1205
Net weight ^{c)}	kg	186	286
Classification under EN 60601-1		Class I.	

- ^{a)} Specify the compressor version when ordering
- ^{b)} Consult any other range of pressure with the supplier
- ^{c)} Weight is indicative and only applies to the product without accessories
- ^{d)} Applies to ambient temperatures of <30°C PDP – pressure dew point

Dependence of compressor output on working pressure



FAD correction of capacity for altitude

Capacity given in the form of FAD („Free Air Delivery“) applies to the following conditions:

Altitude	0 m.n.m.	Temperature	20°C
Atmospheric pressure	101325 Pa	Relative humidity	0%

To calculate FAD compressor capacity in dependence on altitude, it is necessary to apply correction factor according to the following table:


Altitude [m.n.m.]	0 -1500	1501 - 2500	2501 - 3500	3501 - 4500
FAD correction factor	1	0.80	0.71	0.60

Electromagnetic compatibility declaration

Medical equipment needs special precautions regarding electromagnetic compatibility (EMC) and needs to be installed and put into service according to the EMC information provided below.

Guidance and manufacturer's declaration - electromagnetic emissions		
Pursuant to IEC 60601-1-2:2014/AMD1:2020 - Medical electrical equipment - Part 1-2: General requirements for basic safety and essential performance - Collateral Standard: Electromagnetic disturbances		
The equipment is intended for use in the electromagnetic environment specified below. The customer or the user of the equipment should assure that it is used in such an environment.		
Emissions test	Compliance	Electromagnetic environment - guidance
RF emissions CISPR 11	Group 1	The equipment uses RF energy only for its internal functions. Therefore, the RF emissions are very low and are not likely to cause any interference in nearby electronic equipment.
RF emissions CISPR 11	Class B	The equipment is suitable for use in all establishments, including domestic establishments and those directly connected to the public low voltage power supply network that supplies buildings used for domestic purposes.
Harmonic emissions IEC 61000-3-2	Class A	
Voltage fluctuations/flicker emissions IEC 61000-3-3	The equipment is not likely to cause any flicker, as the current flow is approx. constant after the start up.	

Guidance and manufacturer's declaration - electromagnetic immunity			
Pursuant to IEC 60601-1-2:2014/AMD1:2020 - Medical electrical equipment - Part 1-2: General requirements for basic safety and essential performance - Collateral Standard: Electromagnetic disturbances			
The equipment is intended for use in the electromagnetic environment specified below. The customer or the user of the equipment should assure that it is used in such an environment.			
Immunity test	IEC 60601-1-2 test level	Compliance level	Electromagnetic environment - guidance
Electrostatic discharge (ESD) IEC 61000-4-2	±8 kV contact ±15 kV air	±8 kV contact ±15 kV air	Floors should be wood, concrete or ceramic tile. If floors are covered with synthetic material, the relative humidity should be at least 30%.
Electrical fast transient/burst IEC 61000-4-4	±2 kV for power supply lines ±1 kV for input/output lines	±2 kV 100 kHz repetition frequency Applied to mains connection	Mains power quality should be that of a typical commercial or hospital environment.
Surge IEC 61000-4-5	±1 kV differential mode ±2 kV common mode	±1 kV L-N ±2 kV L-PE; N-PE Applied to mains connection	Mains power quality should be that of a typical commercial or hospital environment.
Voltage dips, short interruption, and voltage variations on power supply input lines IEC 60601-4-11	$U_T=0\%$, 0,5 cycle (at 0, 45, 90, 135, 180, 225, 270 and 315°) $U_T=0\%$, 1 cycle $U_T=70\%$ 25/30 cycles (at 0°) $U_T=0\%$, 250/300 cycles	$U_T=>95\%$, 0,5 cycle (at 0, 45, 90, 135, 180, 225, 270 and 315°) $U_T=>95\%$, 1 cycle $U_T=70\%$ (30% dipp U_T), 25(50Hz)/30(60Hz) cycles (at 0°) $U_T=>95\%$, 250(50Hz)/300(60Hz) cycle	Mains power quality should be that of a typical commercial or hospital environment. The device stops and restarts automatically at each dip. In this case does not occur unacceptable pressure drop.
Power frequency (50/60 Hz) IEC 61000-4-8	N/A	N/A	The equipment does not contain magnetically sensitive components or circuits.
Radiated fields in close proximity per IEC 61000-4-39	N/A	N/A	The equipment does not contain magnetically sensitive components or circuits.
NOTE: U_T is the A.C. mains voltage prior to application of the test level.			

Guidance and manufacturer's declaration - electromagnetic immunity			
Pursuant to IEC 60601-1-2:2014/AMD1:2020 - Medical electrical equipment - Part 1-2: General requirements for basic safety and essential performance - Collateral Standard: Electromagnetic disturbances			
The equipment is intended for use in the electromagnetic environment specified below. The customer or the user of the equipment should assure that it is used in such an environment.			
Immunity test	IEC 60601-1-2 test level	Compliance level	Electromagnetic environment - guidance
Conducted RF IEC 61000-4-6	3 Vrms 150 kHz to 80MHz	3 Vrms	<p>Portable and mobile RF communications equipment should be used no closer to any part of the equipment, including cables, than the recommended separation distance calculated from the equation applicable to the frequency of the transmitter.</p> <p>Recommended separation distance</p> $d=1,2\sqrt{P}$ $d=1,2\sqrt{P}, 80 \text{ MHz to } 800 \text{ MHz}$ $d=2,3\sqrt{P}, 800 \text{ MHz to } 2,7 \text{ GHz}$ <p>where P is the maximum output power rating of the transmitter in watts (W) according to the transmitter manufacturer and d is the recommended separation distance in metres (m).</p> <p>Field strengths from fixed RF transmitters, as determined by an electromagnetic site survey ^a, should be less than the compliance level in each frequency range ^b. Interference may occur in the vicinity of equipment marked with the following symbol:</p> 
Radiated RF IEC 61000-4-3	3 V/m 80 MHz to 2,7 GHz	3 V/m	
Proximity fields from RF wireless communications equipment IEC 61000-4-3	9 to 28 V/m 15 specific frequencies (380 to 5800 MHz)	9 to 28 V/m 15 specific frequencies (380 to 5800 MHz)	
NOTE 1 At 80 MHz and 800 MHz, the higher frequency range applies.			
NOTE 2 These guidelines may not apply in all situations. Electromagnetic propagation is affected by absorption and reflection from structures, objects and people.			
^a Field strengths from fixed transmitters, such as base stations for radio (cellular/cordless) telephones and land mobile radios, amateur radio, AM and FM radio broadcast and TV broadcast cannot be predicted theoretically with accuracy. To assess the electromagnetic environment due to fixed RF transmitters, an electromagnetic site survey should be considered. If the measured field strength in the location in which the equipment is used exceeds the applicable RF compliance level above, the equipment should be observed to verify normal operation. If abnormal performance is observed, additional measures may be necessary, such as re-orienting or relocating the equipment.			
^b Over the frequency range 150 kHz to 80 kHz, field strengths should be less than 3 V/m.			

INSTALLATION



Risk of incorrect installation.

Only a qualified technician may install the compressor and place it into operation for the first time. Their duty is to train operating personnel on the use and maintenance of the equipment. An entry is made in the equipment installation record to certify installation and operator training. (see the Annex chapter)

10. INSTALLATION CONDITIONS

- The compressor may only be installed and operating in dry, well-ventilated and clean environments under the conditions specified in the Technical Data chapter.



Risk of damage to the device.

The equipment may not be operated outdoors or in otherwise wet or damp environments.



Risk of explosion.

Do not use the equipment in the presence of explosive gases, dust or combustible liquids.



Burn or fire hazard! Caution! Hot surface!

Portions of the compressor, dryer may be hot and reach hazardous temperatures during compressor operation that may harm materials or operating staff.

- The compressor must be installed so that it is accessible at all times for operating and maintenance. Please ensure that the nameplate on the device is readily accessible.
- The compressor must stand on a flat, sufficiently stable base (be aware of the weight of the compressor, see the Technical Data chapter).



High temperature hazard.

The placement of air flow impediments upstream or downstream of the cooler is prohibited. The temperature of internal and external parts of the cooler may be hot and reach hazardous temperatures.



You may notice a “new product” odour when you first place the product into service (for a short period of time). This odour is temporary and does not impede the normal use of the product. Ensure the space is properly ventilated after installation.

11. COMPRESSOR ASSEMBLY

11.1. Handling and releasing the compressor

- Unpack the compressor from the packaging.
- For a compressor with a cabinet, remove the door held on the screws and for DK50 4VR/50/M compressors, remove the connecting strip (41) in the lower part of the cabinet. Remove the cabinet from the compressor.
- Detach the compressor from the pallet by removing the mounting bolts (Fig. 5).
- Position the compressor at the site of installation. (Fig. 6)

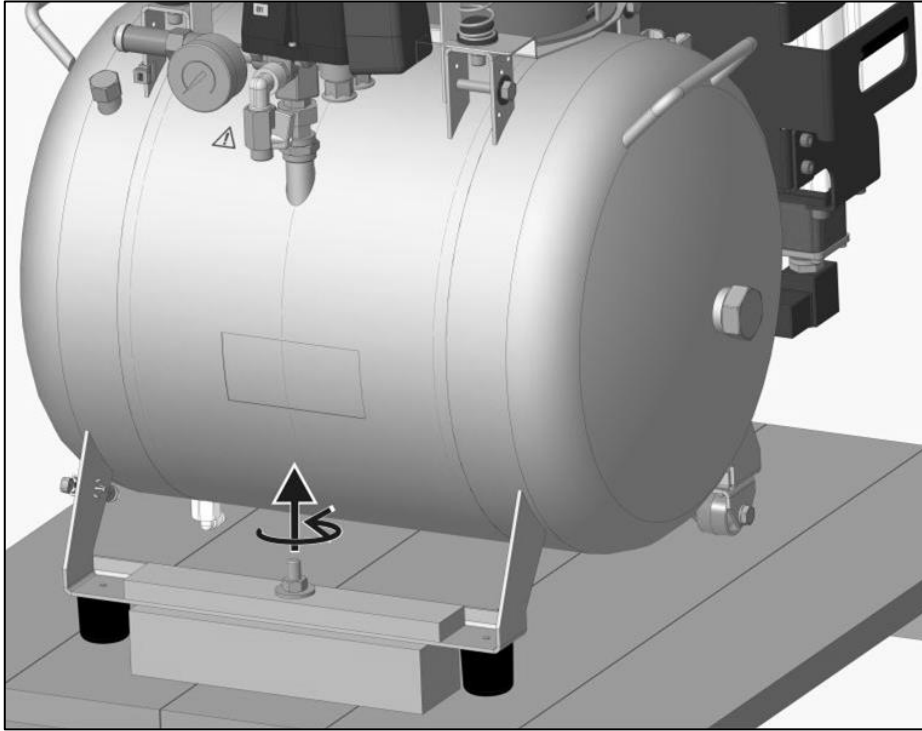


Use the handles on the compressor to move the compressor as needed. Do not use other parts of the compressor (the air pump, cooler, etc.) for grip

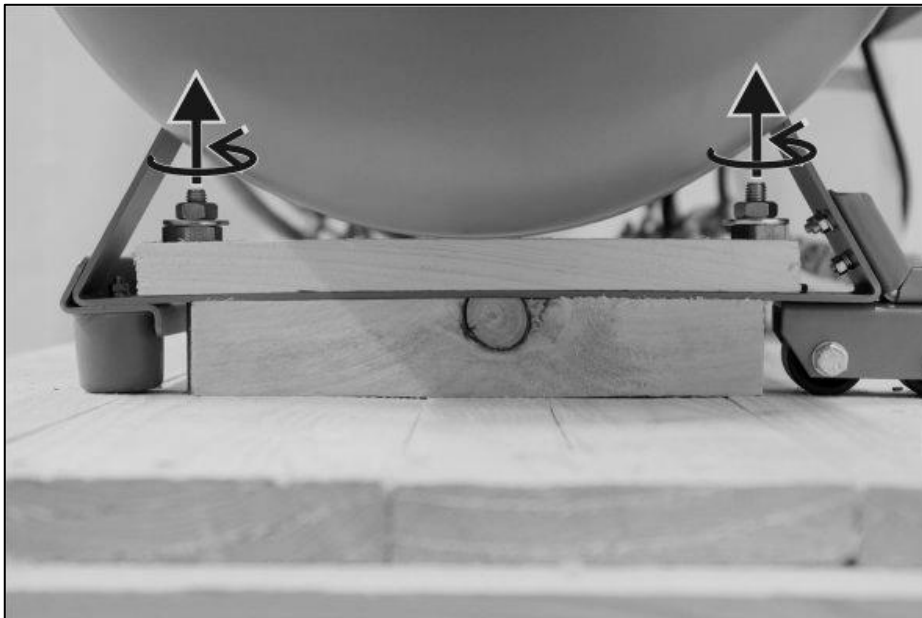


The number of persons required to handle the equipment must be matched to the weight of the device.

Fig. 5: Removing the transport mounts

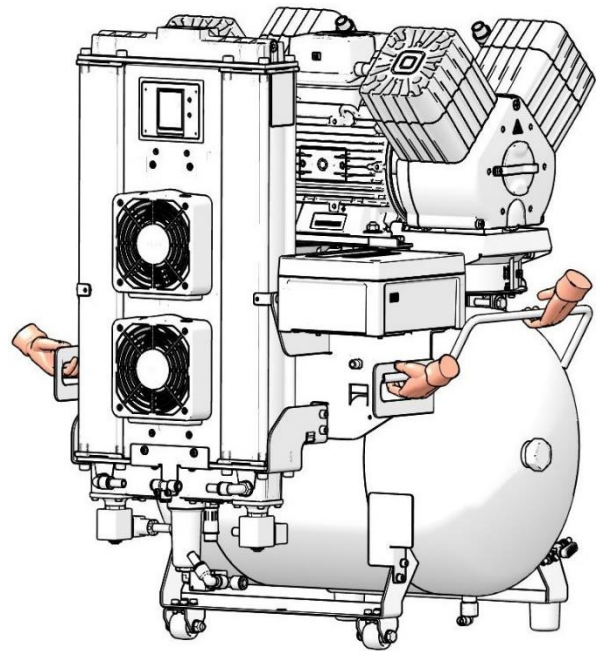
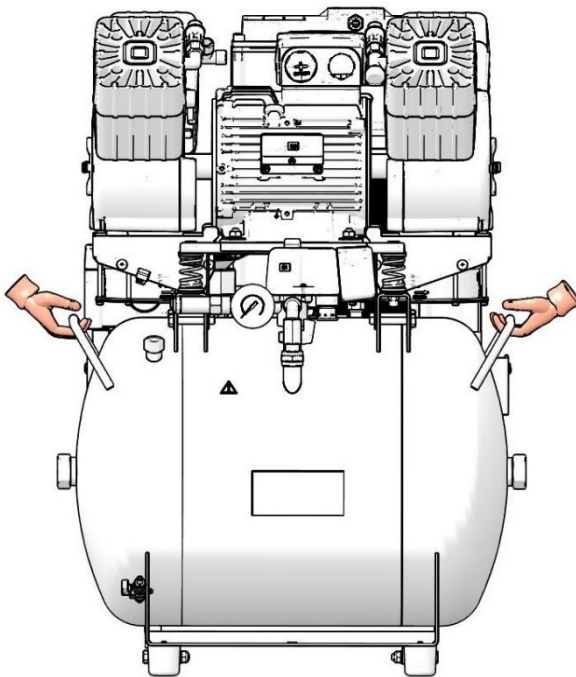
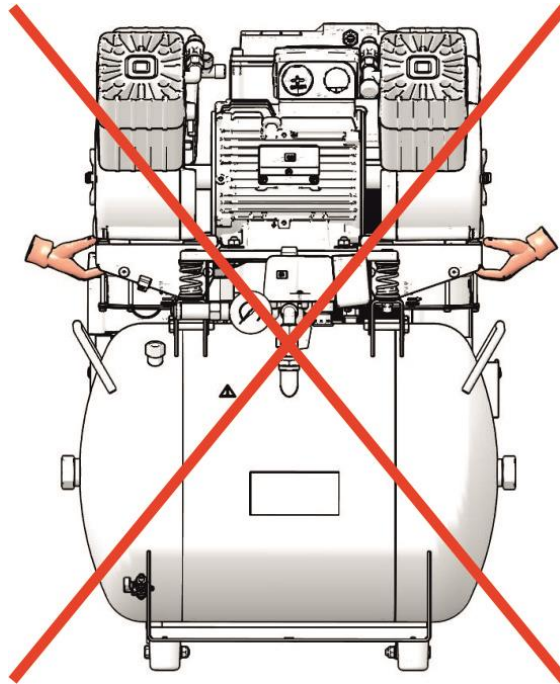


DK50 4VR/50

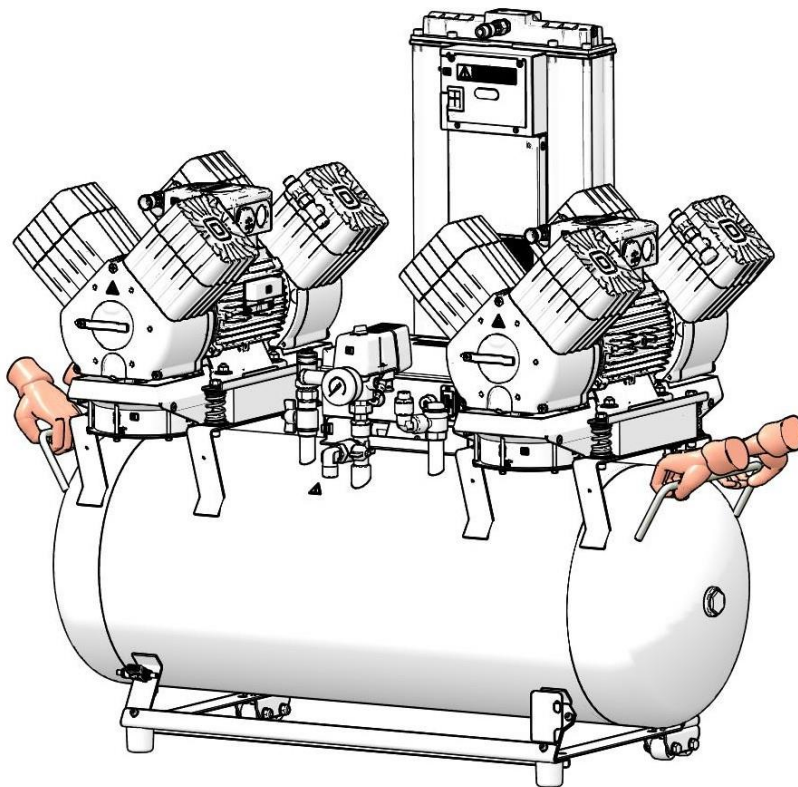
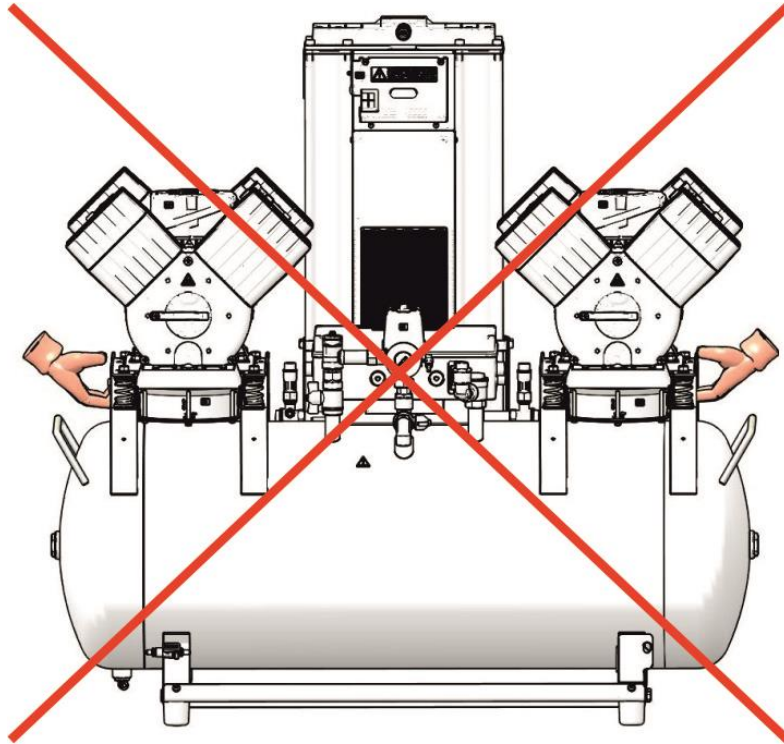


DK50 2x4VR/110

Fig. 6: Handling the compressor



DK50 4VR/50



DK50 2x4VR/110

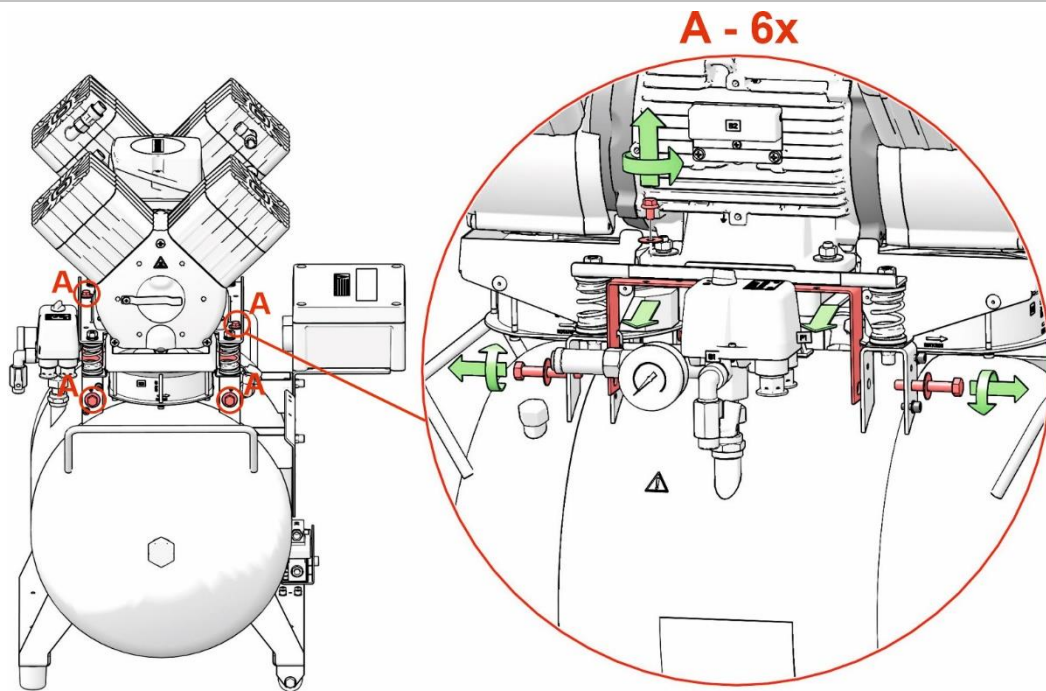
- Remove the mounts used to secure the aggregate in transport: use a 10 mm wrench to remove the upper bolts, and then use a 13 mm wrench to remove the lower side bolts (Fig. 7).



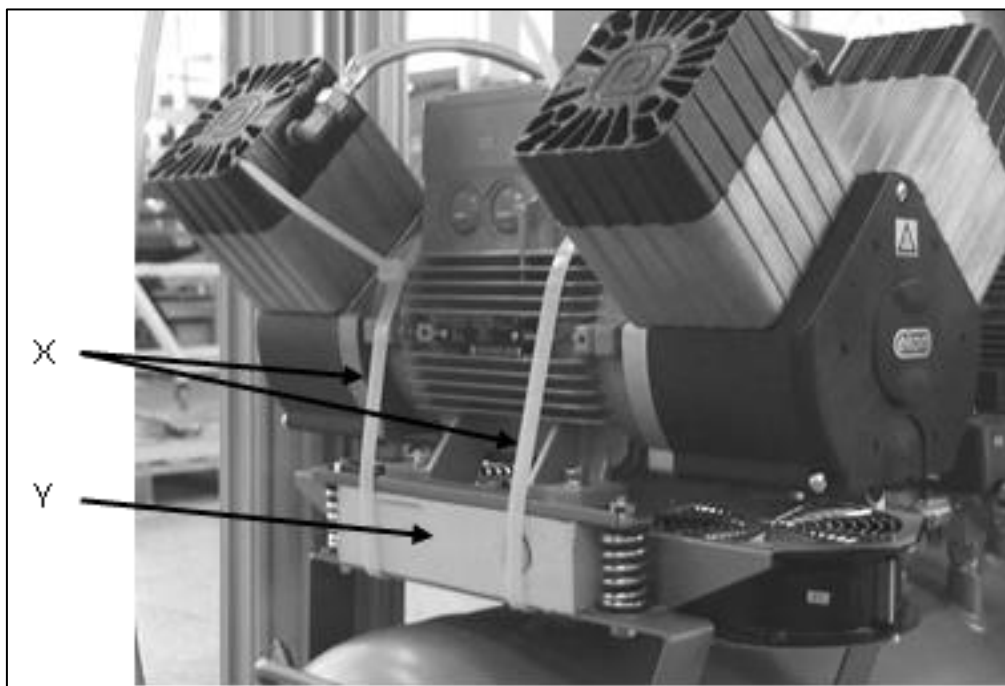
Prior to installation, ensure that the compressor is free of all transport packaging and stabilizers to avoid any risk of damage to the product.

Remove all devices used to secure the air pumps once the compressor is installed and levelled at the site of final installation.

Fig. 7: Releasing the air pumps



DK50 4VR/50



DK50 2x4VR/110

12. PNEUMATIC CONNECTION

12.1. Connecting to the compressed air outlet

- Route the pressure hose from the compressed air outlet (1) to the connected equipment.
- A G 3/8" (DK50 4VR/50), G1/2" (DK50 2x4VR/110) connection is installed.
- Route the pressure hose through the opening in the rear wall of the cabinet for cabinet-mounted compressors.

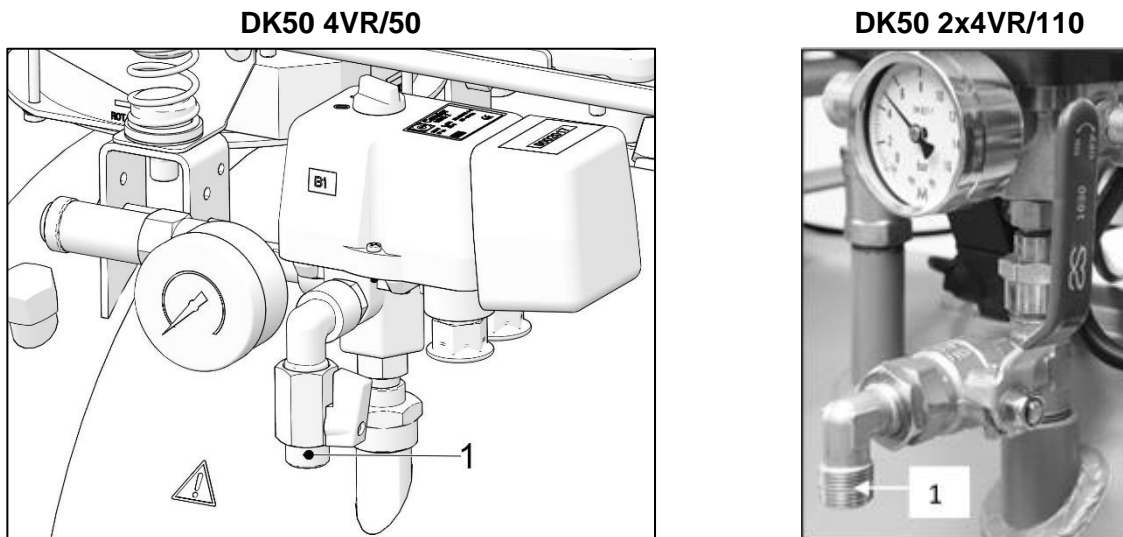


Fig. 8: Connecting to the compressed air outlet

12.2. Connecting the cabinet pressure gauge to the compressor

- Remove the plug (1) from the threads (2) on the pneumatic block of the compressor
- Connect the cabinet pressure gauge hose to the threaded fitting

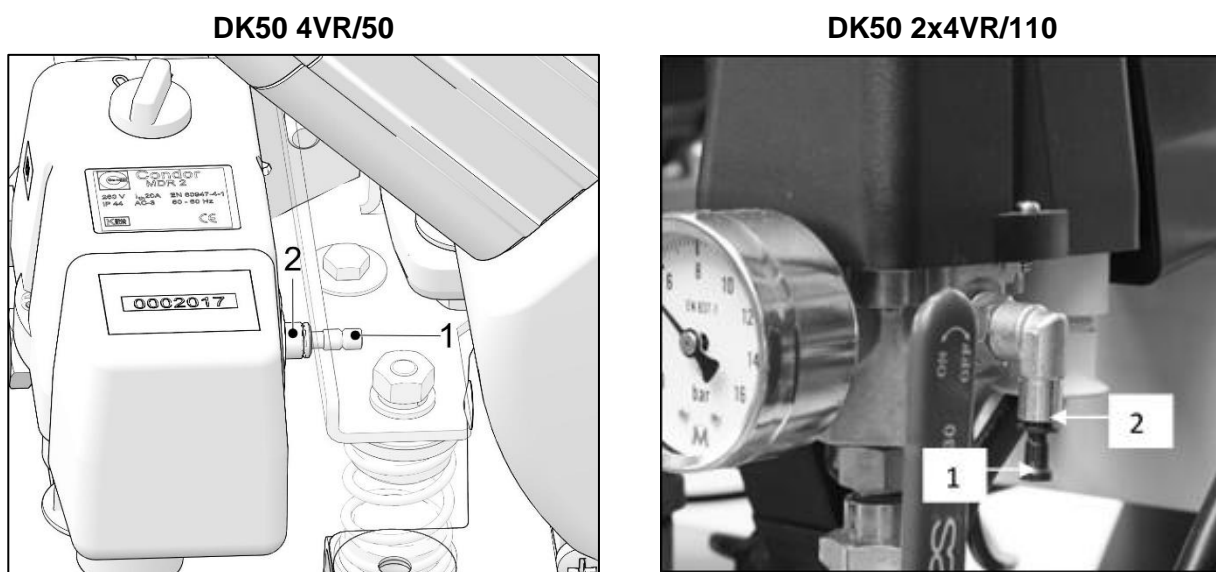


Fig. 9: Connecting the cabinet pressure gauge to the compressor

12.3. Condensate outlet from dryer

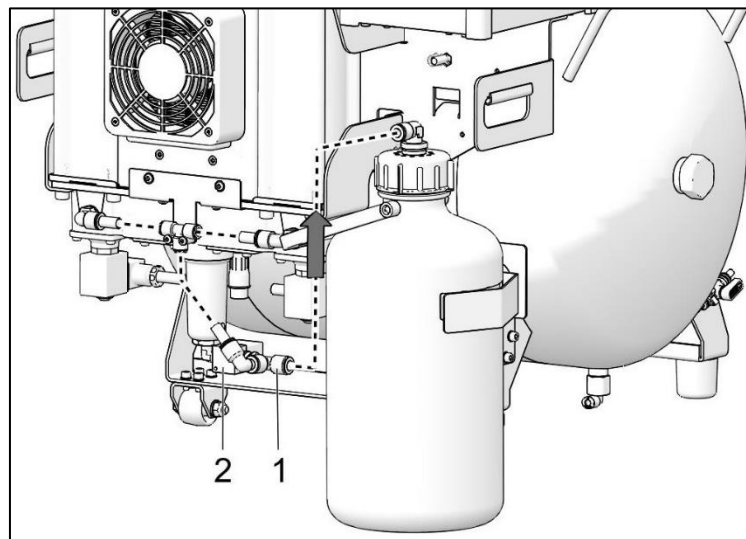


Injury hazard.

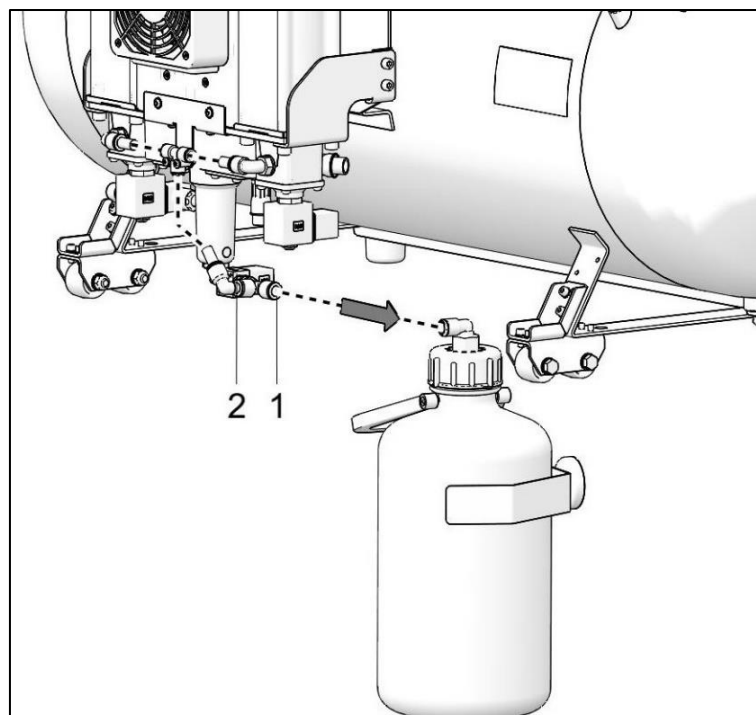
Do not connect the condensate drain directly to a waste drain! Passers-by may be injured!

- Connect a hose to the outlet (1) from the automatic condensate drain (2) to the provided collection vessel.
- For a compressor in a cabinet, route the hose through the rear opening in the cabinet. Mount the condensate collection tank to the side panel or rear panel of the cabinet.

Fig. 10: Condensate drain



DK50 4VR/50/M



DK50 2x4VR/110/M



Risk of damage to pneumatic components.
Air hoses must not be broken.

13. ELECTRICAL CONNECTION

- The product is delivered with a cord equipped with a plug with earthing pin.
- With cabinet-mounted compressors, route the power cord through the opening in the back wall of the cabinet.
- Keep the socket easily accessible to ensure that the device can be safely disconnected from the mains.
- Connection to the power distribution cabinet must be max. 16 A.



Risk of electric shock.

It is necessary to follow all local electro technical regulations. The mains voltage and frequency must comply with the data stated on the device label.



Risk of fire and electric shock.

Electrical cord must not be broken.



Risk of fire and electric shock.

Electrical cable must not be in contact with hot compressor components.

- Connect the pin for equipotential bonding 6Ø mm (1) to the electrical circuit using the defined method under valid electrical engineering regulations
- The socket for equipotential bonding (2) is an accessory and is not provided in the basic package



Fig. 11 :Equipotential bonding

- Mount the connector of the grounding conductor on the door and screw on the cabinet.

Power supply connection

Supply voltage	Electric wire type
230V/50 (60) Hz	3Gx1.5x4000
400V/50 (60) Hz	5Gx1.5x4000

13.1. Connecting a compressor not installed in a cabinet

- Insert the mains plug into a rated mains socket.
- The compressor is ready for operation.

13.2. Connecting a compressor installed in a cabinet

- Route the mains plug through the opening in the rear wall of the cabinet for cabinet-mounted compressors. (Fig. 12)
- Connect the cabinet electrically to the compressor by inserting the provided power cord with connector into an outlet. (Fig. 13)
- Disconnect the cabinet electrically from the compressor by pulling the connector from the outlet while the latch is released.
- Connect the display at the front door of the cabinet and then secure the cord to the display in the clamps (1). Secure the cord for DK50 4VR/50 S/M compressors in the clamp (1) in the cabinet door (Fig. 18). Secure the cord for DK50 2x4VR/110 S/M compressors in the clamps (1) in the cabinet enclosure (Fig. 22).



Fig. 12: Opening in the rear wall of the cabinet



Fig. 13: Connect the cabinet to the compressor

14. PLACEMENT OF THE COMPRESSOR IN THE CABINET

14.1. DK50 4VR/50 S/M (Fig. 4-A):

Disassembly cabinet door

- Remove the door held by 2 screws and disconnect the display connector and the earthing lead.



Check to ensure the display connector is removed prior to removing the front door as otherwise it could be damaged.

Compressor placement

- Remove the connecting strip (41) in front of the cabinet.
- Position the compressor within a distance of at least 500 mm from the cabinet to facilitate the movement of the hoses and the power cord within the cabinet (Fig. 14).

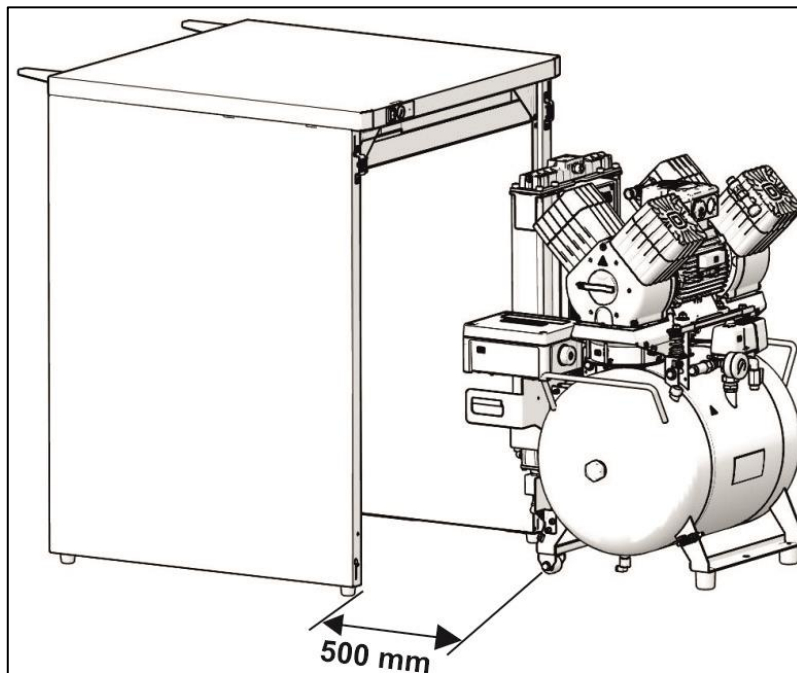


Fig. 14: Positioning of the compressor for connections

- Make the pneumatic connections per Chapter 12.1.
- Connect the condensate collection tank per Chapter 12.3.
- Route the pressure hose, the condensate drain hose, and the power cord through the opening in the rear wall of the cabinet.
- Position the compressor at such a distance from the cabinet so the WINSTA connector can make the electrical connection between the compressor and the cabinet (Fig. 13, Fig. 15).

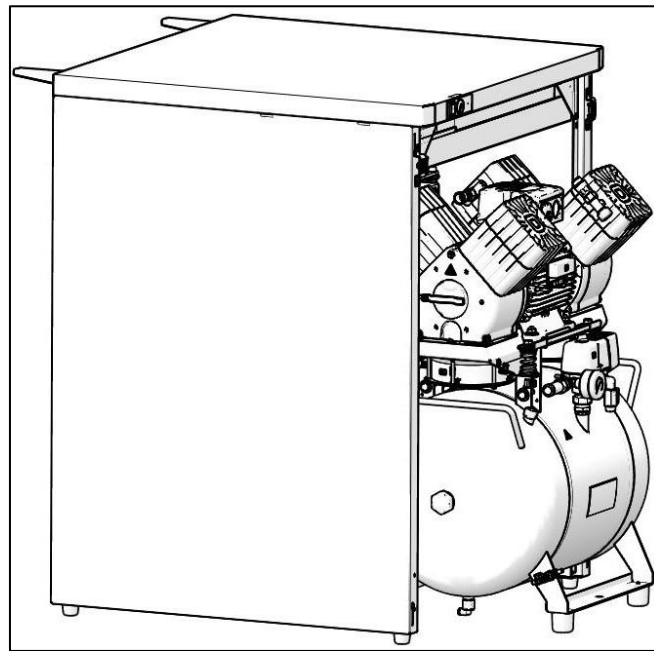


Fig. 15: Positioning the compressor for electrical connections

- Electrically connect the compressor per Chapter 13.
- Insert the compressor into the cabinet using the positioning truck (35), place the connecting strip in front of the cabinet and adjust the position of the compressor so that the two “V” notches on the connecting strip (41) align with the compressor legs (Fig. 4).
- Check to ensure the compressor is fully inserted into the cabinet using the control dimension (Fig. 16).

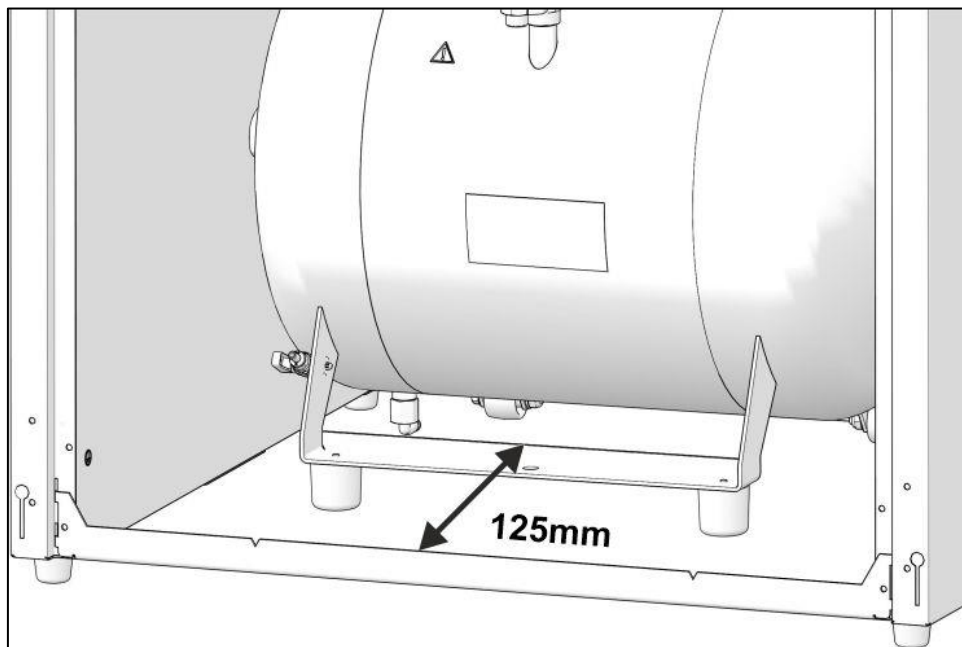


Fig. 16: Positioning of the DK50 4VR/50/M compressor in the cabinet

- Place the connecting strip (41) in its original position in the lower part of the cabinet.
- Connect the cabinet pressure gauge to the compressor per Chapter 12.2.



Do not push the compressor all the way to the back of the cabinet as it may permanently damage the dryer.

Cabinet door installation

- Attach the door to the cabinet, connect the display connector (Fig. 17) and secure the cord to the display in the clamp (1) in the front door (Fig. 18).
- Connect the earthing lead to the door and mount the door to the cabinet using 2 screws.



Fig. 17: Connecting the display connector

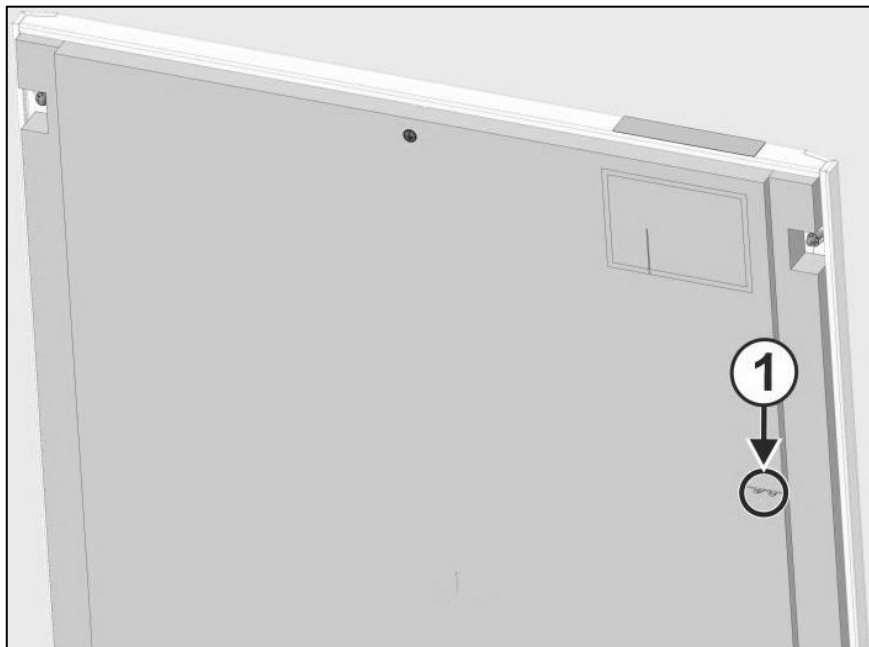


Fig. 18: DK50 4VR/50 S/M cabinet clamps

14.2. DK50 2x4VR/110 S/M (Fig. 4-B):

Opening the upper cover

- Lift the upper cabinet cover grabbing it by its handle (42) so that the gas springs keep the cover open.



**Be careful not to pinch your fingers when closing the cover on the cabinet.
Always lock with the quick releases after closing the cover on the cabinet!**

Removal of the front panel on the cabinet

- Remove the door held by 4 M5 screws and disconnect the display connector and the earthing lead.



Check to ensure the display connector is removed prior to removing the front door as otherwise it could be damaged.

Compressor placement

- Position the compressor within a distance of at least 500 mm from the cabinet to facilitate the movement of the hoses and the power cord within the cabinet (Fig. 19).

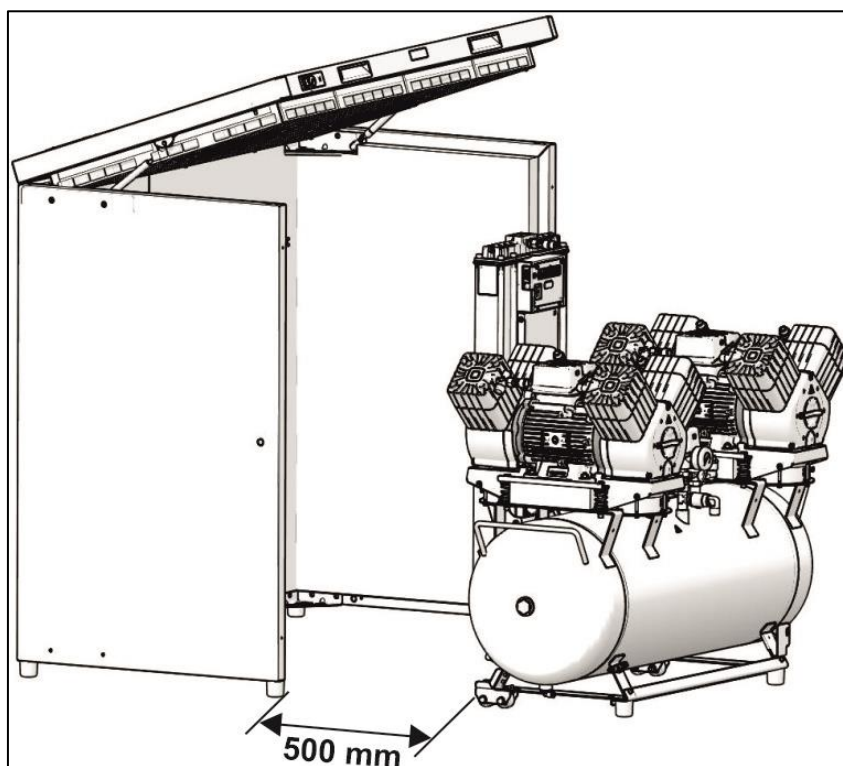


Fig. 19: Positioning of the compressor for connections

- Make the pneumatic connections per Chapter 12.1.
- Connect the condensate collection tank per Chapter 12.3.
- Route the pressure hose, the condensate drain hose, and the power cord through the opening in the rear wall of the cabinet.
- Position the compressor at such a distance from the cabinet so the WINSTA connector can make the electrical connection between the compressor and the cabinet (Fig. 13, Fig. 20).

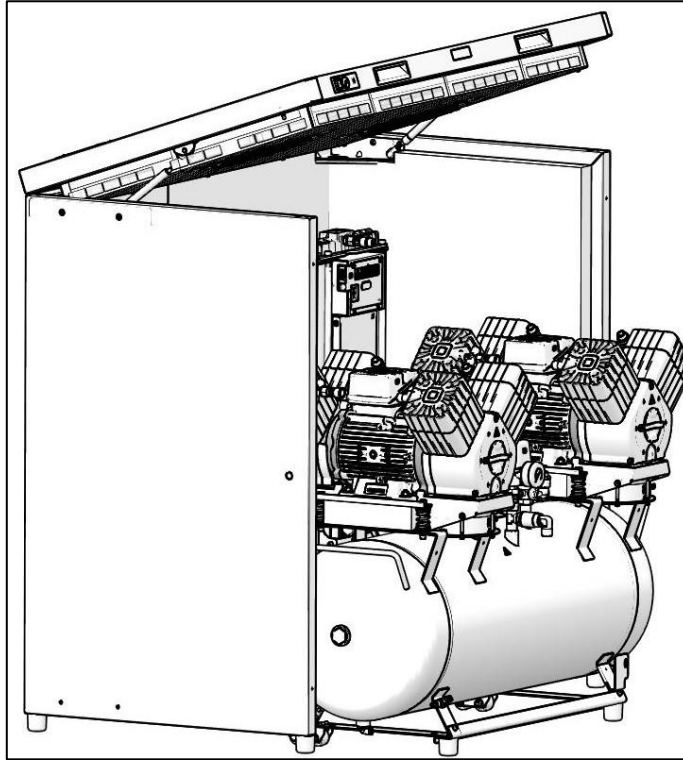


Fig. 20: Positioning the compressor for electrical connections

- Electrically connect the compressor per Chapter 13.
- Insert the compressor with dryer into the cabinet so that the dryer fan fits into the cooling tunnel opening in the cabinet. Check the positioning of the compressor in the cabinet against Fig. 21.

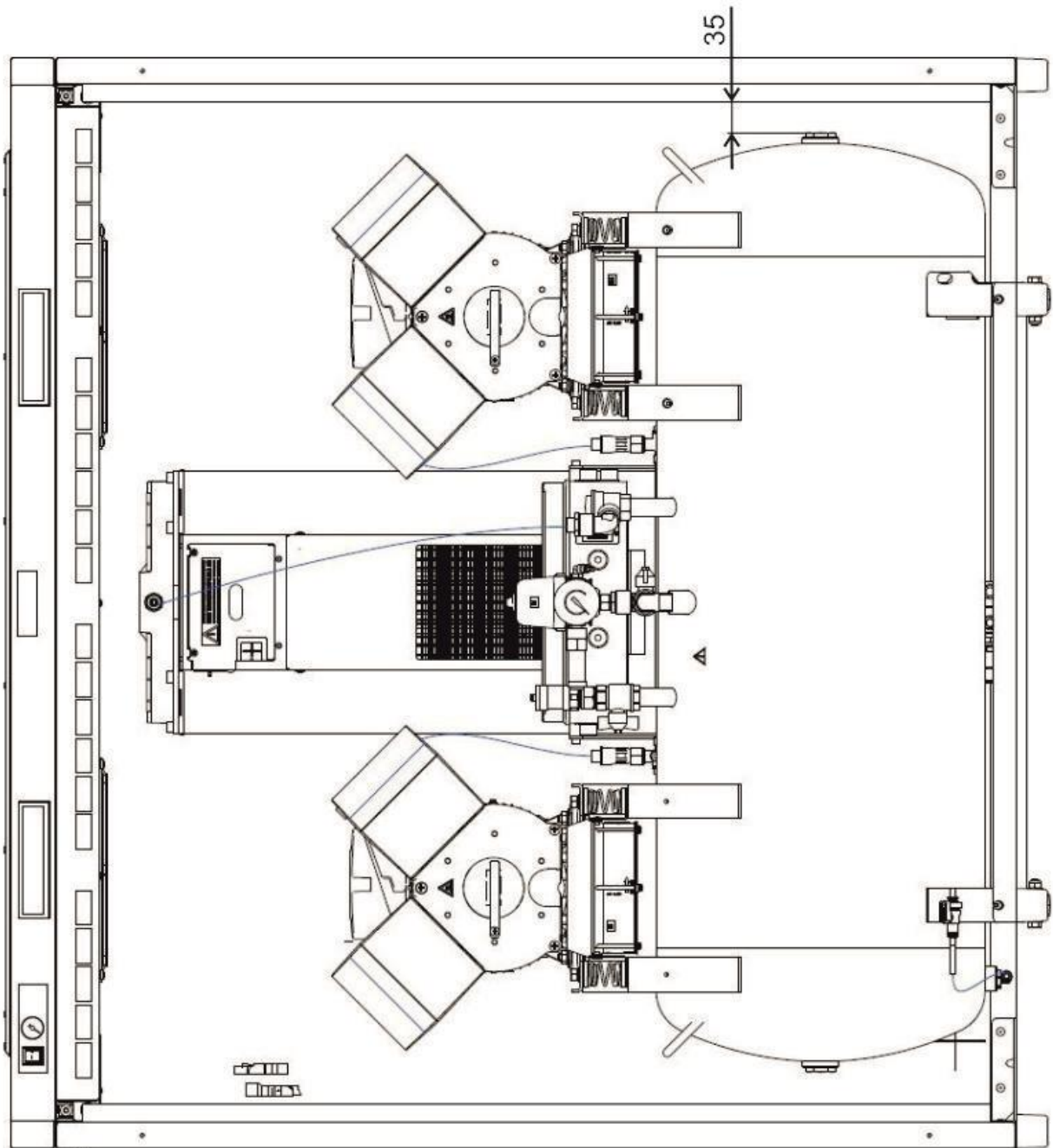


Fig. 21: Placement of the compressor in the cabinet

- Connect the cabinet pressure gauge to the compressor per Chapter 12.2.



Do not push the compressor all the way to the back of the cabinet as it may permanently damage the dryer.

Cabinet door installation

- Attach the door to the cabinet and connect the display of connector (Fig. 17) and secure the cord to the display in the clamp (1) in the front door (Fig. 22).

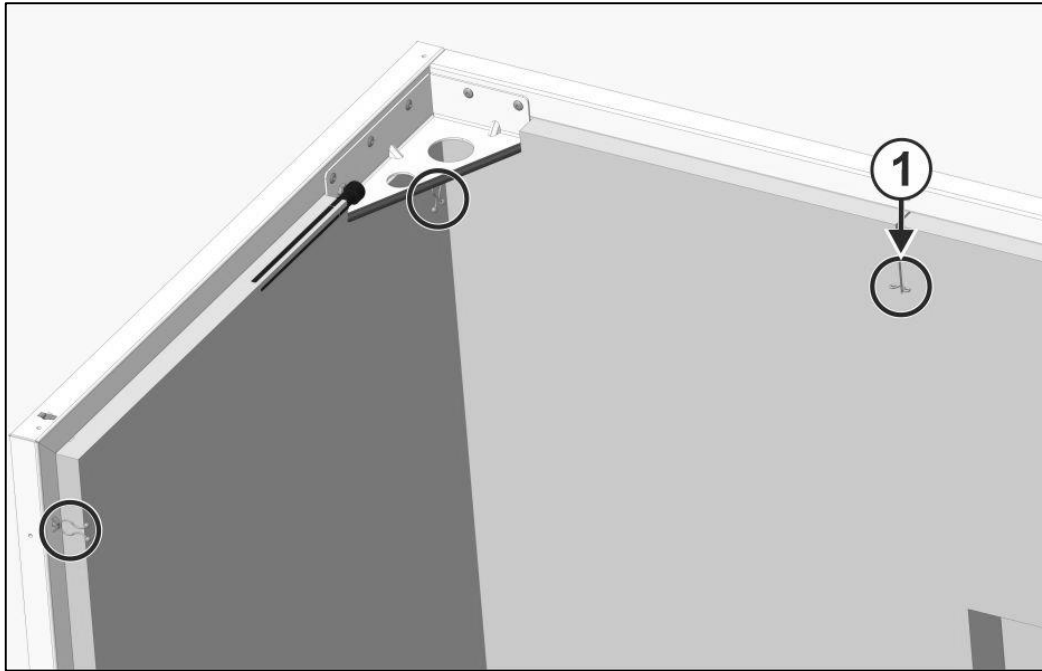


Fig. 22: DK50 2x4VR/110 S/M cabinet clamps

- Connect the earthing lead to the door. Install the door on the cabinet and mount using the 4 fasteners.

15. COMMISSIONING

- Make sure all transport stabilizers were removed.
- Check that all compressed air hose connections are correct. (see chap. 12)
- Check correct connection to the mains (see chap. 13).
- Check the circuit breaker position, it must be in the “I” position. If the main switch (2) is in the “0” position, turn it to the “I” position.(Fig. 23).
- For cabinet-mounted compressors, turn the main switch (4) on the front side of the cabinet into the “I” position; a green indicator indicates the equipment is in operation. (Fig. 23).
- Check connection of the cabinet connector to the compressor (Fig. 13).
- Check the connection of the display at the front door of the cabinet.
- Check connection of the cabinet manometer hose to the pneumatic block of the compressor (Fig. 9).
- Check to ensure the hose from the automatic condensate drain is connected to the collection vessel. (Fig. 10)
- Configuring the language on the dryer display (see chap. 20.2).
- Configuring the date and time on the dryer display (see chap. 20.3).
- Check the drying mode settings (see chap. 20.4).

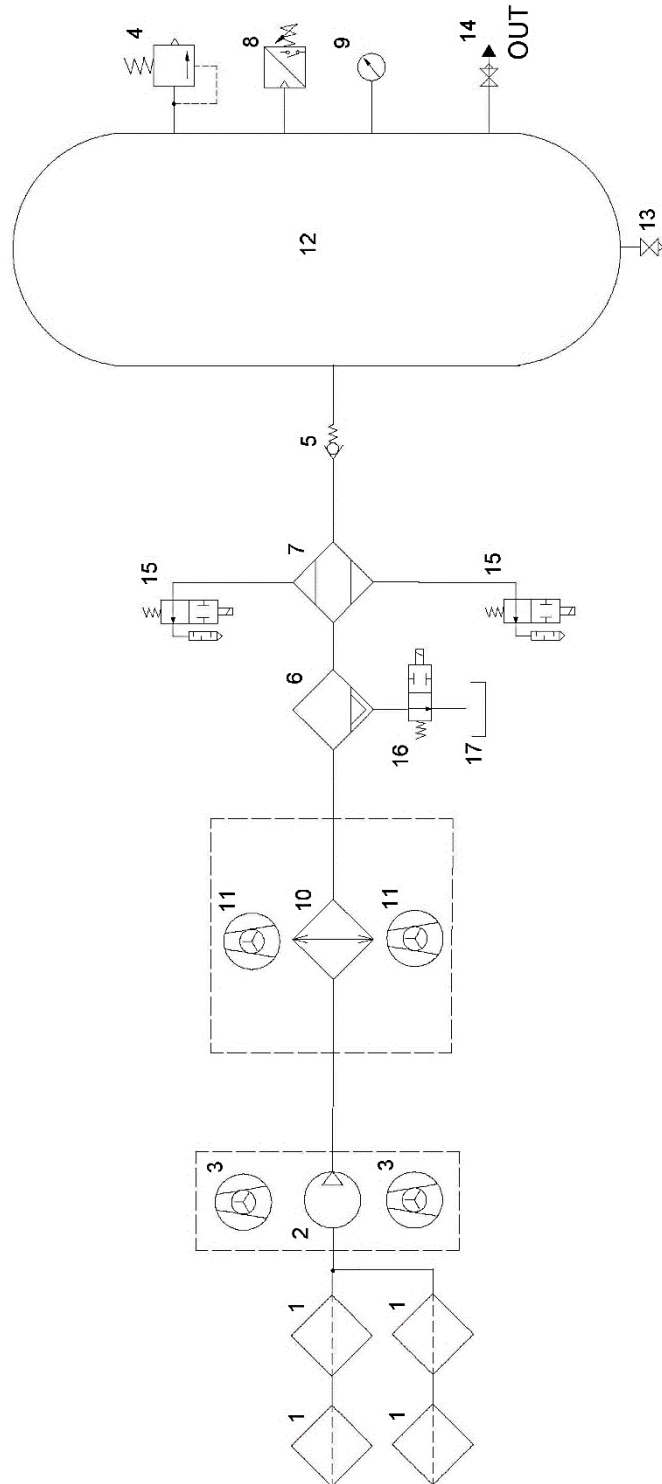


The compressor is not equipped with a backup power supply.

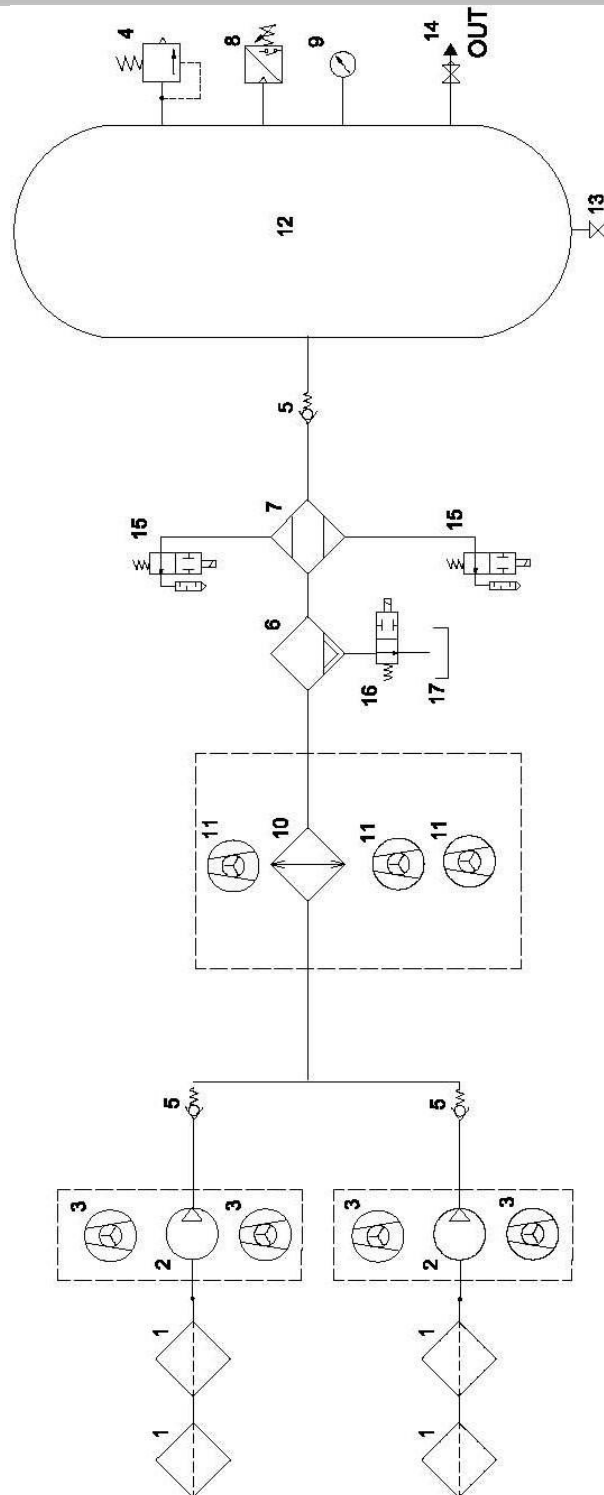
16. PNEUMATIC AND ELECTRICAL DIAGRAMS

16.1. Pneumatic diagram

DK50 4V/50/M



DK50 2x4VR/110/M



Description to pneumatic diagram:

- | | |
|------------------------|--------------------------------------|
| 1 Inlet filter | 9 Pressure gauge |
| 2 Air pump | 10 Cooler |
| 3 Fan | 11 Cooler fan |
| 4 Safety valve | 12 Air tank |
| 5 Non-return valve | 13 Condensate drain valve |
| 6 Condensate separator | 14 Outlet valve |
| 7 Dryer | 15 Solenoid valve – regeneration |
| 8 Pressure switch | 16 Solenoid valve – condensate drain |
| | 17 Condensate collection vessel |

16.2. Electrical diagrams

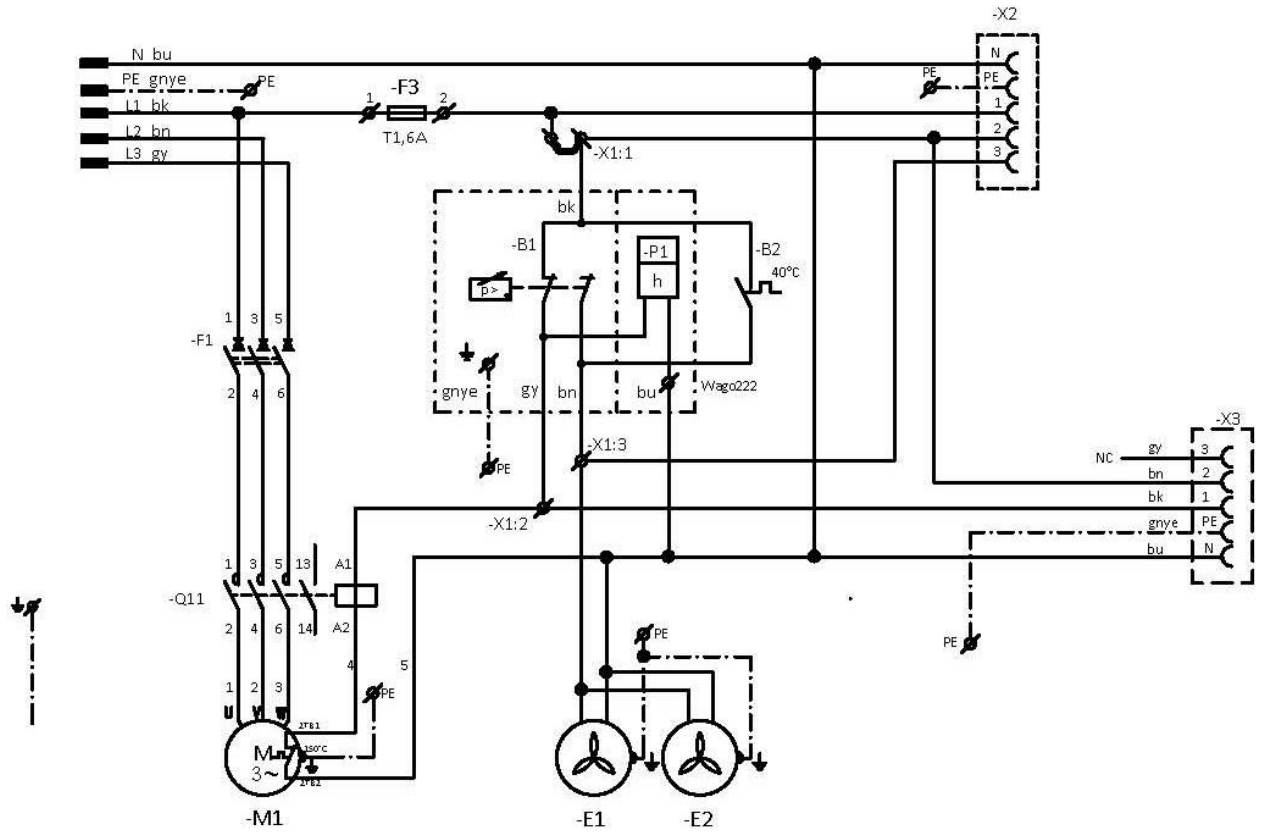
DK50 4VR/50/M

6 - 8 bar

3/N/PE~400V, 50Hz

ELEKTRIC MAIN TN-S [TN-C-S]

ELEKTRIC OBJECT OF 1st. CAT.

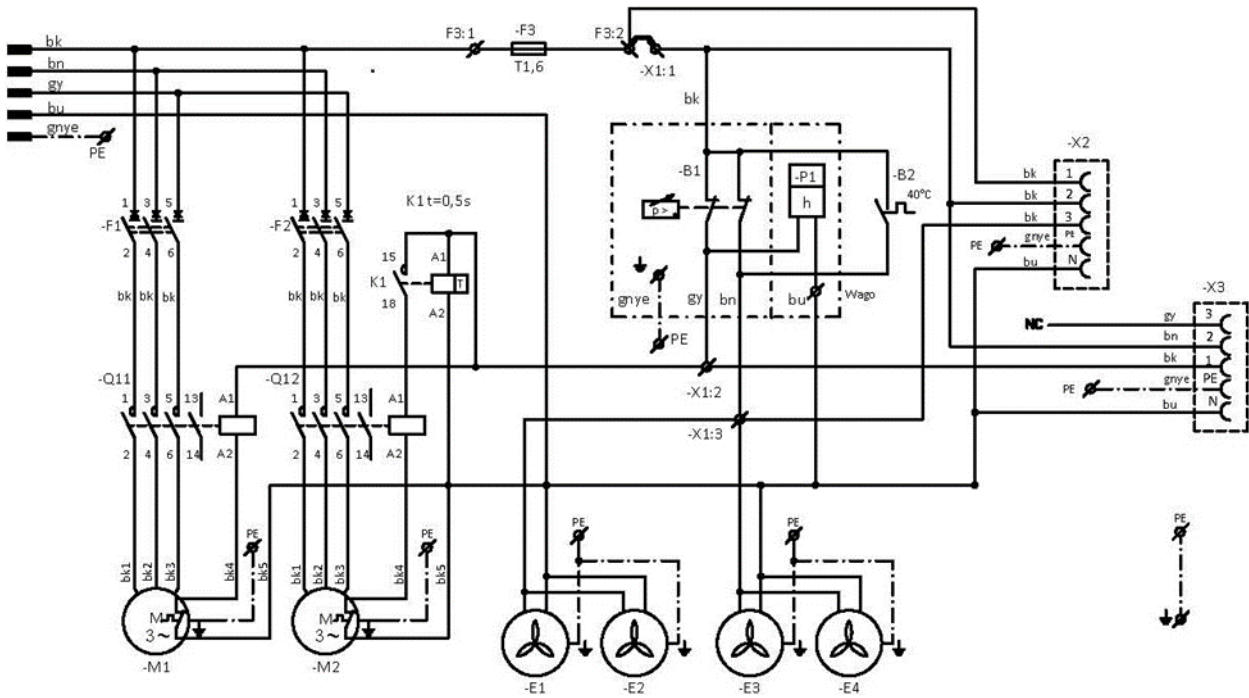


DK50 2x4VR/110/M

3/N/PE~400V, 50Hz

ELEKTRIC MAIN TN-S [TN-C-S]

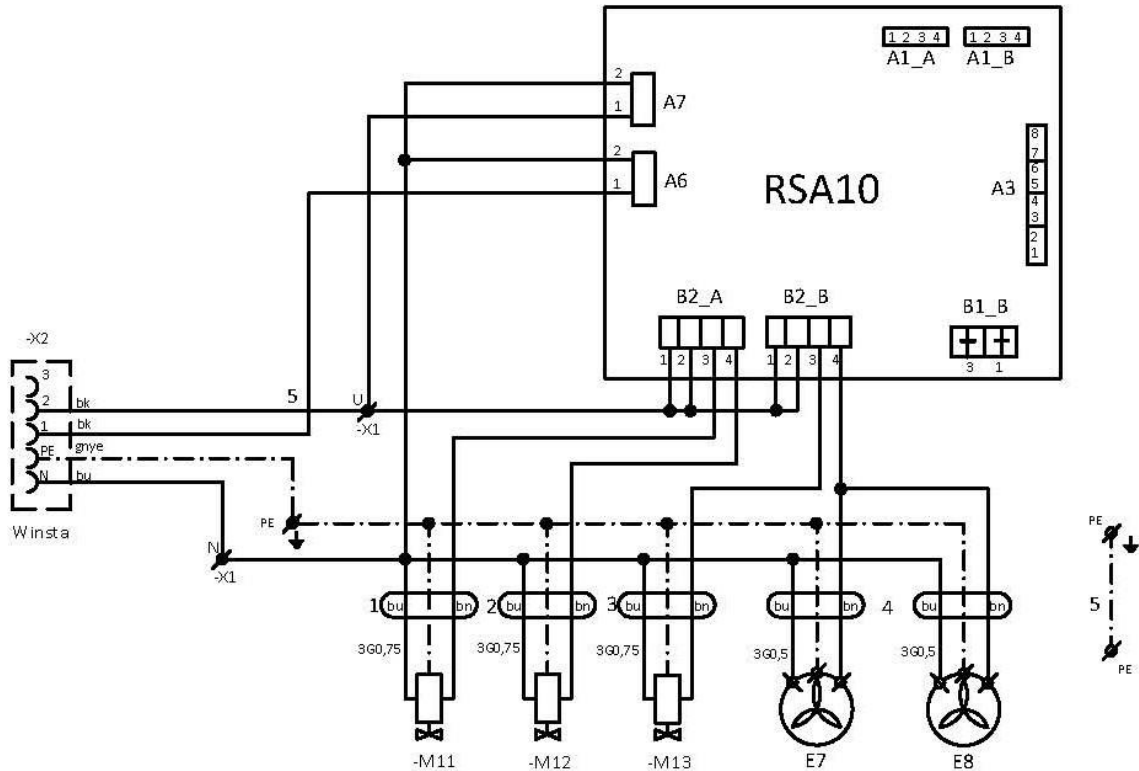
ELEKTRIC OBJECT OF 1st. CAT.



AD 280EK

1/N/PE ~ 230V, 50Hz, 230V, 60Hz

ELEKTRIC OBJECT OF 1st. CAT

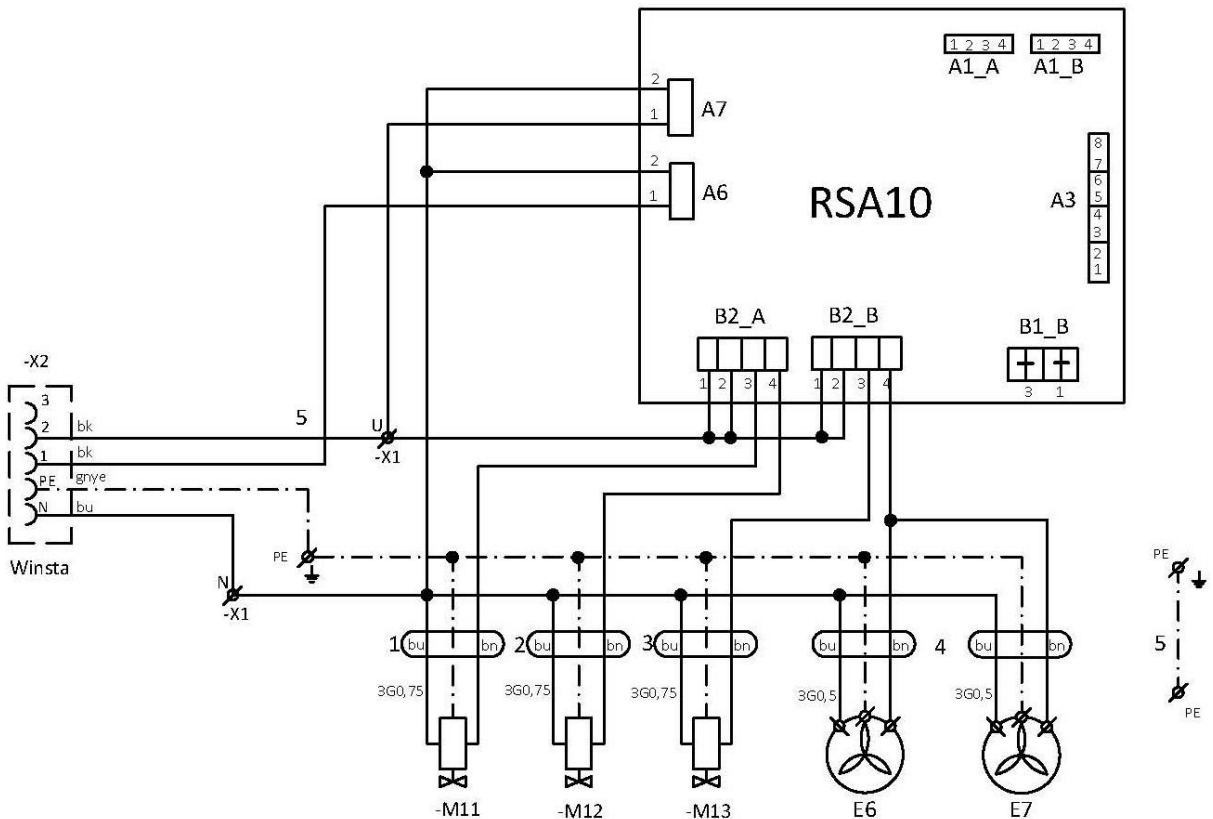


AD500

1/N/PE~230V, 50/60Hz

~120V, 60Hz

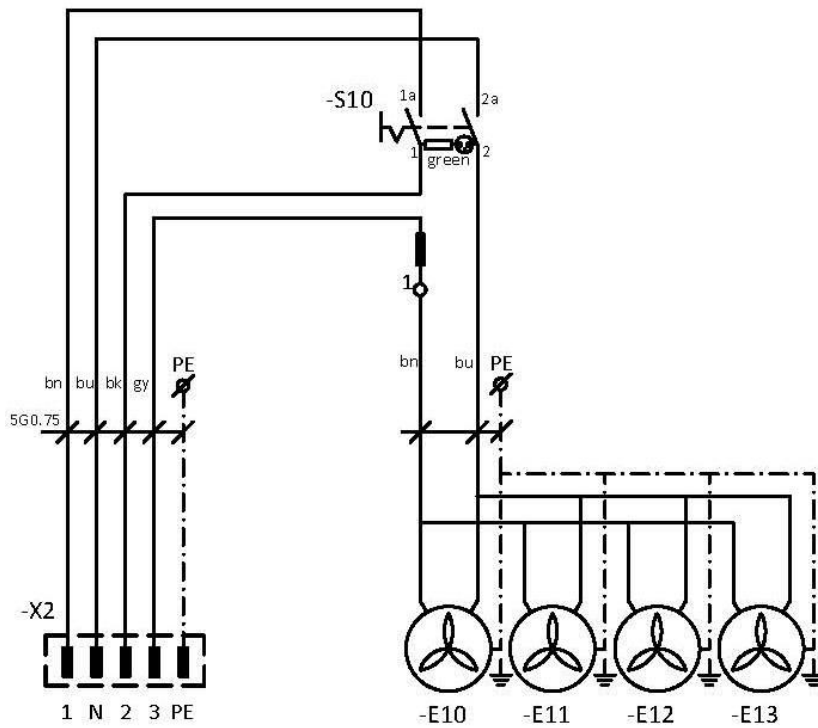
ELEKTRIC OBJECT OF 1st. CAT



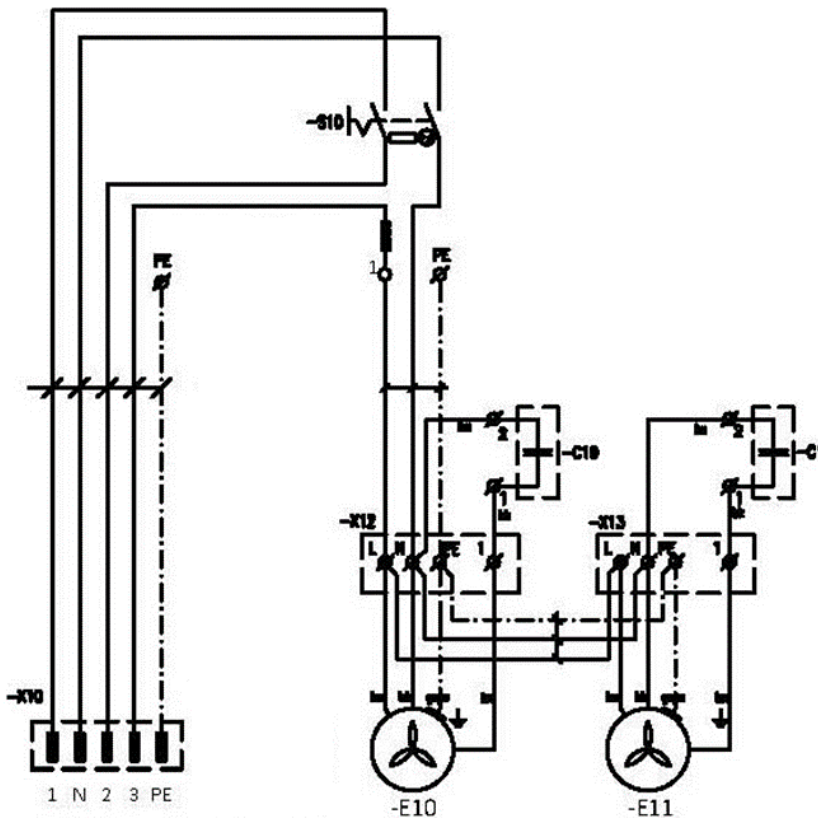
Compressor cabinet

1/N/PE~230V, 50/60Hz

ELEKTRIC OBJECT OF 1st. CAT.



DK50 4VR/50S/M



DK50 2x4VR/110S/M

Description to electrical diagrams:

M1, M2	Compressor motor	X2	Socket
E1 – E4	Compressor fan	X3	Service indicator socket
F3	Fuse	S10	Switch
F1, F2	Breaker	X10,X11	Connector
B1	Pressure switch	E10, E11	Cabinet fan
B2	Temperature switch	E6-E8	Dryer fan
Q11,12	Contactora	M11, M13	Solenoid valve - regeneration
K1	Time relay	M12	Solenoid valve - venting
P1	Hour counter	RSA 10	Controller board
X1	Terminal box		

OPERATION

ONLY TRAINED PERSONNEL MAY OPERATE THE EQUIPMENT!



Risk of electric shock.

In case of emergency, disconnect the compressor from the mains (pull out the mains plug).



Burn or fire hazard.

Portions of the air pump and compressed air components between the air pump and dryer may be hot and reach hazardous temperatures during compressor operation that may harm materials or operating staff.



Warning – compressor is controlled automatically.

Automatic start-up. When pressure in the pressure tank drops to switch-on pressure, the compressor automatically switches on. The compressor automatically switches off, when pressure in the air tank reaches the switch-off pressure.



Potential for damage to pneumatic components.

The working pressure settings for the pressure switch set by the manufacturer cannot be changed. Compressor operation at a working pressure below the switching pressure indicates high air usage (see the Troubleshooting chapter).



Required drying performance can only be achieved when following the defined operating conditions.

Drying performance will decline and the achieved dew point will drop if the dryer is operated at any pressure below the minimum working pressure.



During prolonged operation of the compressor, the ambient temperature around the compressor may increase to over 40 °C. At this point the cooling fan automatically switches on. The fan switches off once the space is cooled to around 32 °C.

17. SWITCHING ON THE COMPRESSOR

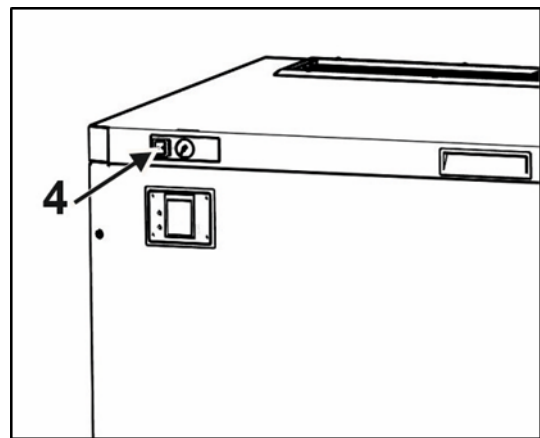
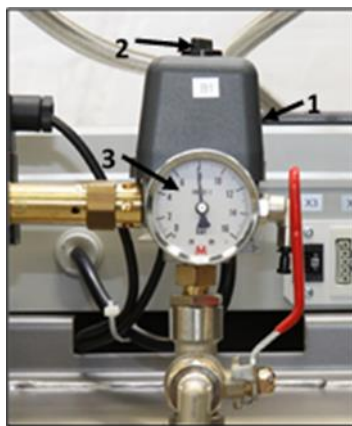
Start the compressor (without a cabinet) at the pressure switch (1) by turning the switch (2) to position "I." This starts the compressor and fills the tank to the switching off pressure, which then shuts off the compressor.

Start the compressor (with a cabinet) at the switch (4) on the front side of the cabinet, the indicator will turn green. This starts the compressor and fills the tank to the switching off pressure, which then shuts off the compressor.

The compressor operates in automatic mode, switched on and off by the pressure switch, depending on compressed air consumption.

Check the values of switch-on and switch-off pressure using the pressure gauge (3). Tolerance of $\pm 10\%$ is acceptable. Pressure in the air tank must not exceed the allowed operating pressure.

Fig. 23: Switching the compressor



Risk of damage to pneumatic parts.

The pressure switch (1) was set up by the manufacturer and any other changes to its settings may be performed only by a qualified technician trained by the manufacturer.

18. SWITCHING OFF THE COMPRESSOR

- Switching off the compressor due to service or any other reason shall be performed using the pressure switch (1) by turning the switch (2) to position „0“ (Fig. 23) and pulling out the mains plug from the socket. This disconnects the compressor from the mains supply.
- Vent the pressure in the air tank to zero by opening the drain valve.

AD DRYER

19. PRINCIPLE OF OPERATION

The dryer is controlled by a signal from the compressor pressure switch.

When the compressor is running, compressed air enters the cooler where it is cooled, and a portion of the condensed moisture is separated in the integrated cyclical separator. Solenoid valve V3 is located in the bottom of the separator, and it drains off the condensate from the separator at regular intervals.

Air then passes to the chamber of logic valve OR1, which senses the pressure. If the pressure in the valve chamber does not reach $P1 = 3$ bar, regeneration solenoid valves V1 and V2 (normally closed type) remain closed and regeneration is not initiated. If the pressure in the logic valve chamber exceeds a minimum of 3 bar, the chambers switch based on the logic described in Subsection 19.1.

When the signal from the compressor pressure switch deactivates, regeneration valves V1 and V2 open for a short time to vent the compressor aggregate and to vent the dryer chambers.

Dryer venting and regeneration is completed via the hose shared with the condensate separator drain and for this reason the condensate outlet cannot be connected directly to a drain.

19.1. Dryer regeneration

Dryer regeneration is initiated when working pressure $P1 = 3$ bar. During regeneration, valves V1 and V2 switch cyclically, whereby there is a short delay (dT) to equalise the pressures in the chambers and during which both valves are closed before each switching cycle.

Working pressure is in chamber 1 and the chamber is in the drying phase, while there is atmospheric pressure in chamber 2 and this chamber is in the regeneration phase. The chamber is regenerated by air passing through the dryer nozzle.

19.2. Energy saving mode (only for models with a dew point sensor)

Dryers equipped with a dew point sensor have additional control over the purge air so as to maintain the defined dew point.

Once the required dew point is met, regeneration is stopped to optimise the quantity of purge air. When regeneration is stopped, both valves V1 and V2 are closed (and therefore chamber purging with dry air is stopped).

They continue to alternate following their standard interval to equalise the loading on the chambers.

If the dew point increases, Energy saving mode is deactivated and the dryer continues to operate with regeneration activated.

Duration of deactivated regeneration mode

Energy saving mode with deactivated regeneration is time limited. One cycle with the standard regeneration of both chambers is added after the end of a defined interval (4 chamber switches).

19.3. Alarm system

All device alarms are classified as low priority technical alarms pursuant to EN 60601-1-8. Every alarm is indicated by a corresponding visual signal (see Chapter 22) and the visual signal flashes. Call an authorised service provider to conduct repairs required in the event of a failure.

Alarm states indicate a potential failure of the device. Therefore, alarm signals may not be deactivated.

All alarm signals are intermittent – when the cause of the alarm no longer exists, the alarm signals are deactivated.

Operator's position. No specific operator's position is required. The operator may remain within range of a visual warning signal depending on actual operating conditions.

Low pressure. This signal is active when the dryer pressure sensor reads low pressure in the dryer under the defined limit of 3 bar. An air leak from the compressor/dryer, malfunction of the control solenoid valves on the dryer or a software error may activate this alarm during operation.

High pressure. This signal is active when the dryer pressure sensor reads an increase in pressure over the high limit. The air pump will then shut down and remain shut-down until the pressure decreases. If the aggregate does not shut down, excess pressure is vented by the safety valve on the compressor's air tank.

High dew point. This signal is active when the dew point sensor reads a high dew point value.

Expiration of service interval. This signal is activated until service is performed and the interval reset, or a new service interval is entered.

20. USER INTERFACE / SETTINGS

20.1. Meaning of symbols on the display



Symbol representing the user manual, or to read the user manual.



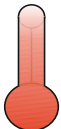
Symbol expressing the ambient temperature (from 25°C) related to the selected mode.

The program adjusts the chamber pre-filling in the given mode.



Symbol expressing the ambient temperature (from 25°C to 30°C) related to the selected mode.

The program adjusts the chamber pre-filling in the given mode.



Symbol expressing the ambient temperature (over 30°C) related to the selected mode.

The program adjusts the chamber pre-filling in the given mode.



Back to the main menu on the 4 main screens.



Go back



Symbol for the service interval



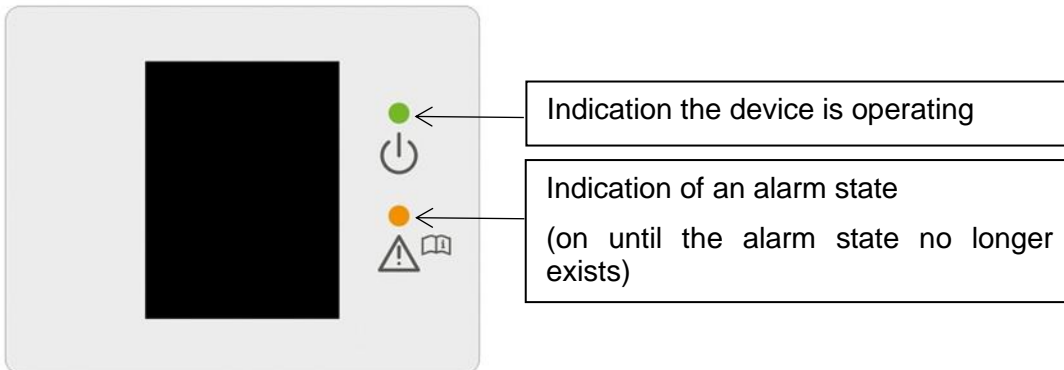
Symbol for when the dryer chamber is currently in regeneration



Symbol for when the dryer chamber is currently drying

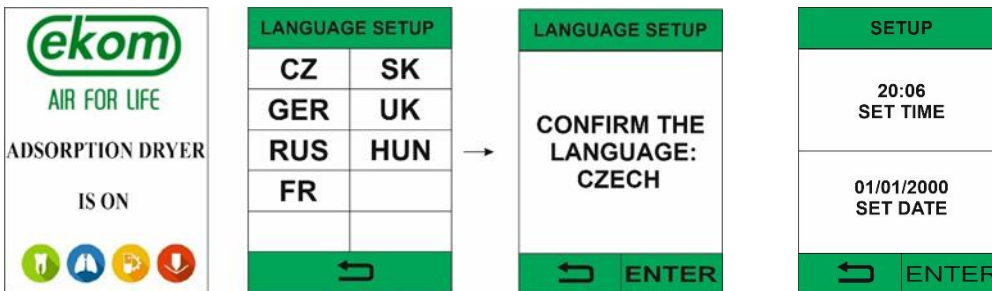


Symbol for chamber pre-filling – equalisation of pressure in chambers.



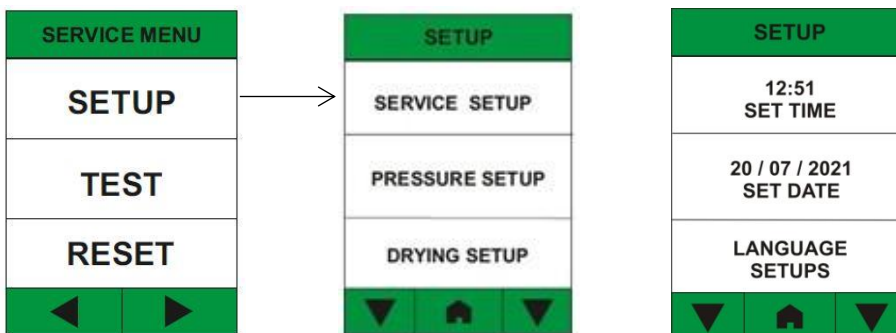
20.2. Initial settings for the user interface

The option to select language, time and date appears when the program is first launched. The service technician selects the given language, time and date during installation based on the geographic location of the dryer installation. The program saves and remembers this setting. The option does not appear when the program is restarted. Confirming this option will also start the service hours countdown.



20.3. Setting the date and time during commissioning

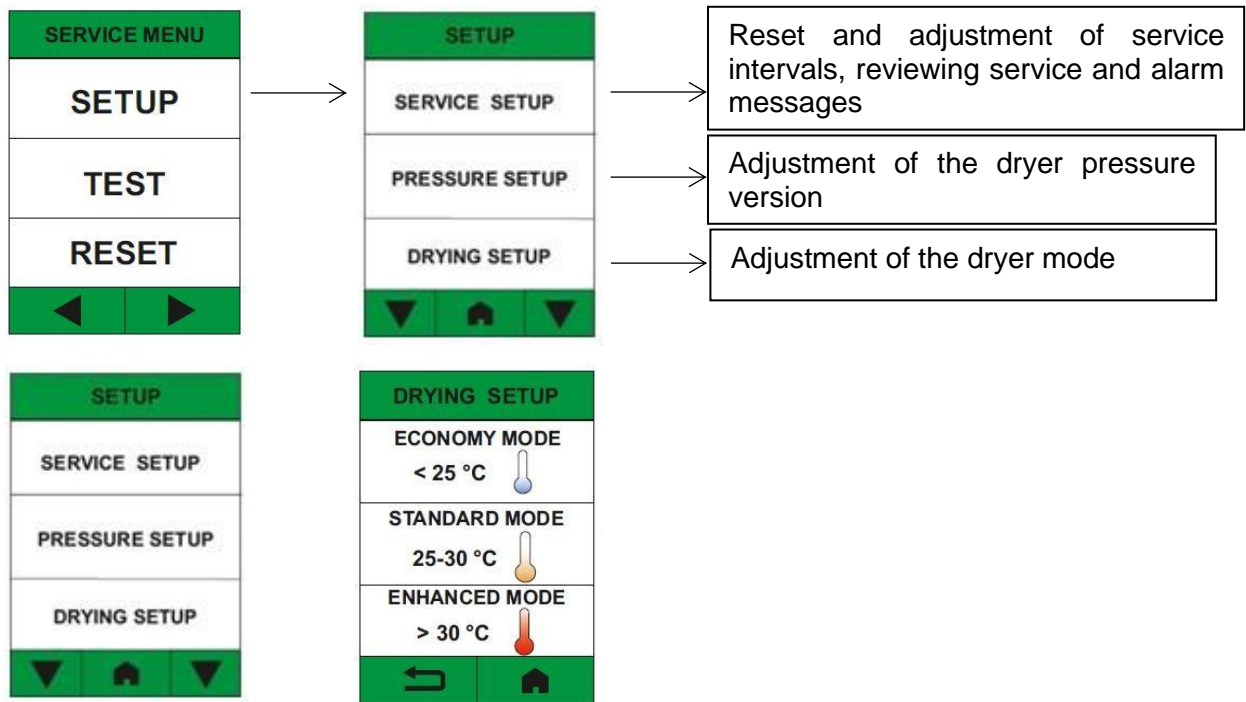
It is recommended to set the date and time during commissioning. These settings are changed in the service menu in the SETUP section. Access to the service menu is protected by a code (1992). In SETUP you have to tap down arrow to set date and time. In the same way, it is possible to reset the user interface language via LANGUAGE SETUP.



20.4. Setting the drying mode during commissioning

It is recommended to set the air-drying mode during commissioning. These settings are changed in

the service menu in the SERVICE SETUP section. Access to the service menu is protected by a code.



The drying mode is set based on the expected pressure range in which the device will operate and the version of the compressor (with or without a cabinet).

- compressor without a cabinet $t_0 < 25\text{ °C}$ - set to ECONOMY mode
- compressor without a cabinet $t_0 = 25\text{ °C} - 30\text{ °C}$ - set to STANDARD mode
- compressor without a cabinet $t_0 > 30\text{ °C}$ - set to ENHANCED mode
- compressor in cabinet - set to ENHANCED mode

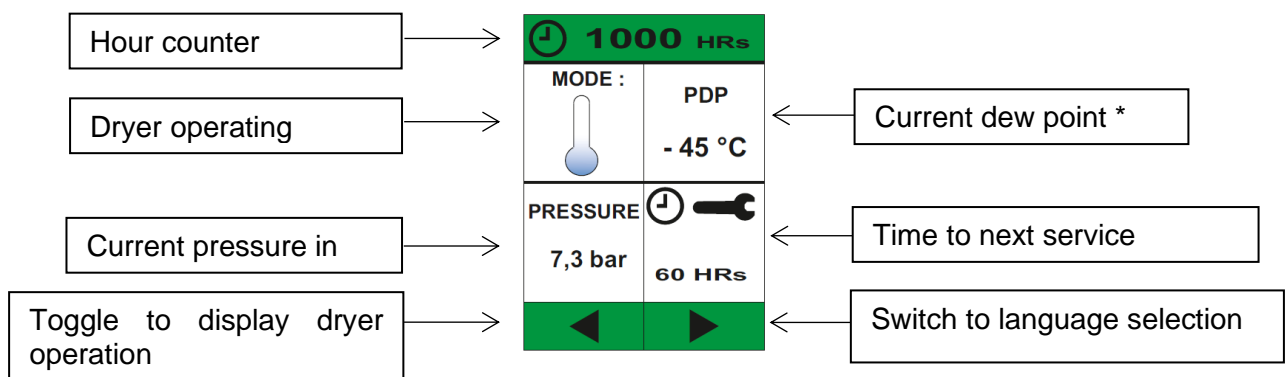
t_0 - ambient temperature

21. MAIN SCREENS

The home screen opens once the user interface language and drying mode are set. There are 4 main screens accessed from the home screen.

The arrows at the bottom of the screen are used to navigate between the individual screens.

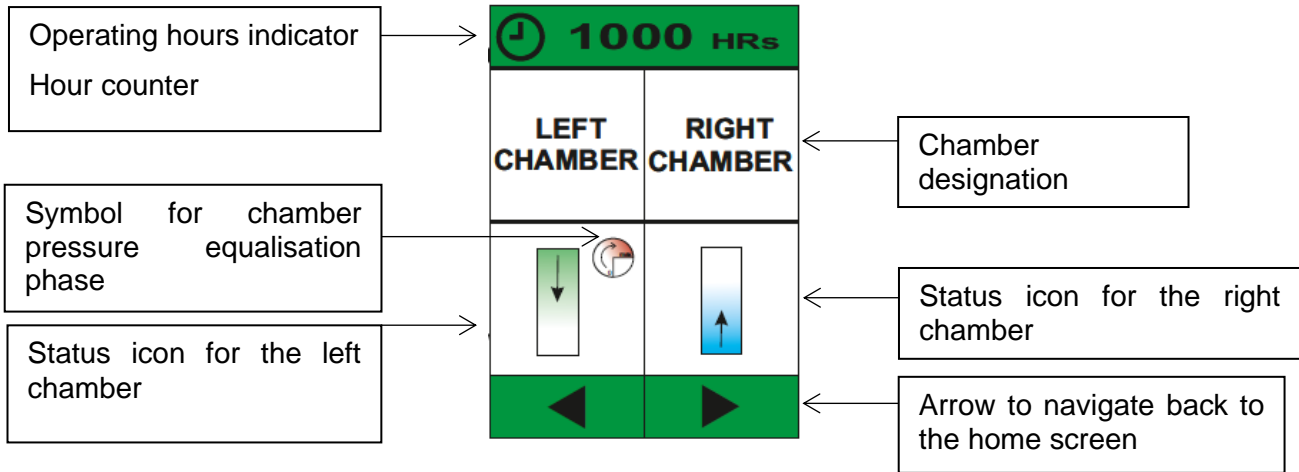
21.1. Home screen



(*this information is only shown if the compressor is equipped with a dew point sensor)

- Basic information and measured parameters are shown on the dryer home screen. The dryer operating hours indicator is located at the top of the screen. The home screen has 4 main tiles that display the following information:
- Dryer operating mode (see chap. 20.1)
- Current pressure in the dryer (min. working pressure to activate dryer regeneration is 3 bar)
- Current pressure dew point value (only for compressors equipped with dew point sensors)
- Remaining time to the next service interval (see chap. 22.1, 22.2– service intervals).

21.2. Dryer operation screen



The dryer operating hours indicator is located at the top of the screen. The dryer operation screen is also divided into 4 tiles, which describe the dryer chamber working cycles using a graphical depiction of the operating states of each chamber.



Symbol for when the dryer chamber is currently in regeneration



Symbol for when the dryer chamber is currently drying



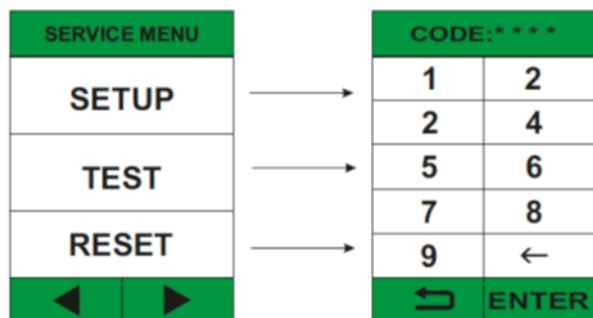
Symbol for chamber pre-filling – equalisation of pressure in chambers.

21.3. Language settings screen

LANGUAGE SETUP	
CZ	SK
GER	UK
RUS	HUN
FR	
◀ ▶	

The language settings screen is one of the main screens.

21.4. Service menu screen



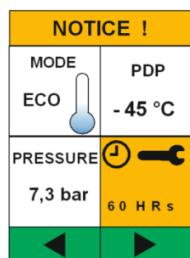
The service menu is intended exclusively for service personnel. Access to individual menu items is password (1992) protected.

22. INDICATION OF MAINTENANCE AND ALARM STATES

The adsorption dryer controller is capable of measuring selected parameters (pressure and pressure dew point in versions with a dew point sensor) and for assessing the basic dryer operating states.

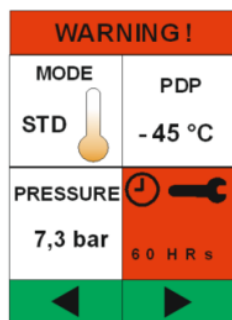
Based on the measured parameters and service details, the controller displays information on faults using the following notifications and warnings.

22.1. Notification – Upcoming service interval



- 100 operating hours prior to the next service interval a **yellow notification appears (“Notice!”)**. The service tile also lights up orange.
- The remaining hours to the next service interval are also displayed.
- The warning is shown until service is completed and the service interval is reset.

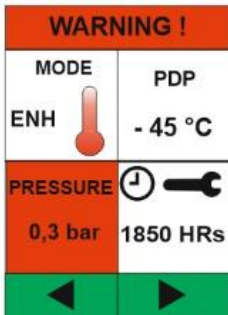
22.2. Warning – Service interval exceeded



- A red warning is shown (“Warning!”) once the service interval has lapsed. The service tile also lights up red.
- The warning is shown until service is completed and the service interval is reset.
- The hours to the next service interval are also displayed.
- A list of warnings is saved in the “Warning log”
- The dryer continues operating normally

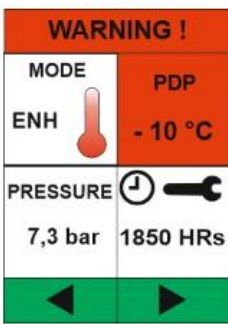
22.3. Alarm conditions

Low / high pressure



- A red warning is shown (“Warning!”) if low pressure (<3 bar) or high pressure (> 8.5 bar, or > 10.5 bar depending on the pressure version) is detected. At the same time, the current pressure tile lights up red.
- The warning is displayed as long as the alarm condition endures.
- A list of warnings is saved in the “Warning log”
- The dryer is not operating normally, regeneration is not initiated, the compressor must be shut down

High dew point

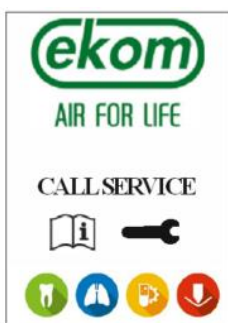


- This warning is only accessible on dryers with dew point sensors
- A red warning is shown (“Warning!”) if a high dew point is detected (> -20°C , or. > -40°C depending on the version of the dryer). At the same time, the current pressure dew point tile lights up red.
- The warning is displayed as long as the alarm condition endures.
- A list of warnings is saved in the “Warning log”
- The dryer does not operate properly or is used outside of recommended conditions for use, the compressor must be shut down.



After initial start-up, it may take up to 50 hours for the compressor to reach the required dew point. During this time, the high dew point warning is not displayed. If the dryer cannot meet the dew point set-point, please contact service personnel.

22.4. „Call Service“ screen



- The “Call Service” screen alternates with the main screen if a notification or warning occurs.

PRODUCT MAINTENANCE**23. PRODUCT MAINTENANCE**

The operator shall ensure completion of repeated testing of the device at least once every 24 months (EN 62353) or at intervals defined by applicable national legal regulations. A record of these test results shall be completed (e.g. per EN 62353, Annex G) together with the measurement methods.

The equipment has been designed and manufactured to keep maintenance to a minimum. The following work must be performed to preserve the proper and reliable operation of the compressor.



Unauthorised interference hazard.

Repair work outside the framework of standard maintenance (see Chapter 23.1) may only be performed by a qualified technician (an organisation authorized by the manufacturer) or the manufacturer's customer service.

Standard maintenance work (see Chapter 23.1) may only be performed by the operator's trained personnel.

Only use manufacturer-approved replacement parts and accessories.



Danger of injury or equipment damage.

Prior to commencing compressor maintenance, it is necessary to:

- check if it is possible to disconnect the compressor from the appliance in order to avoid any risk of injury to the person using the appliance or other material damage;
- turn off the compressor;
- disconnect it from the mains (pulling the cord out of the mains socket);
- vent the compressed air from the air tank.



Venting compressed air poses an injury hazard.

Wear eye protection, i.e. goggles, when venting compressed air from the compressed air circuit (air tank).



Burn hazard.

When the compressor is running or shortly thereafter, certain portions of the air pump, the compressor's compressed air system, parts of the dryer and connecting hoses between the compressor and dryer may be hot - do not touch these components.



The removed grounding conductor during service must be connected back to the original position after completing the service.

- For any maintenance or repair work, the compressor may be removed from the cabinet by pulling it from the cabinet (on rolling casters as much as the cord between the compressor and the cabinet allows). (see chap. 23) The required maintenance or repair work may then be performed.
- If the cord between the compressor and the cabinet becomes disconnected (by pulling the mains plug, see chap. 13.2), the compressor shall not be functional. In order to bring the compressor into function again, please follow, see chap. 13.2 or 23.8 or 23.9.

23.1. Maintenance intervals

Time interval	Performed by operator				Performed by qualified technician												
	Set of replacement parts	Chap.	24 000 h	20 000 h	16 000 h	12 000 h	10 000 h	8 000 h	6 000 h	4 000 h	2 000 h	Once every 6 years	Once every 4 years	Once every 2 years	Once a year	Once a week	Once a day
Check of product operation	-	23.2															x
Drain condensate from air tank – at high humidity	-	23.5															x
Drain condensate from the air tank - at normal humidity	-	23.5														x	
Check of product function	-	9														x	
Check of pneumatic connections leakage and device inspection	-	23.3													x		
Inspection of electrical connections	-	23.4													x		
Check of cooler and fan	-	23.11													x		
Check of safety valve	-	23.6													x		
Replacement of pump inlet filter and pre-filter 4VR ^{a)}	025200139-000 025200150-000	23.7								x					x		

a) data is in hours, if not available, data is in years
b) check the operation of the relief valve on the dryer after every dryer malfunction
c) Whichever occurs first: 2 years/10000 hours.
d) Whichever occurs first: 6 years/24,000 hours.

Time interval	Performed by	qualified technician				
		Set of replacement parts	Chap.	24 000 h	20 000 h	16 000 h
Dew point sensor calibration	-	23.12				
Replacement of cassettes with adsorbent media AD280 dryer ^{c)}	603022493-000	See the service manual		x		
Replacement of cassettes with adsorbent media AD500 dryer ^{c)}	603022485-000			x		
Replacement of the dryer's logic valve ball	069000317-000				x	
Replacement of the dryer's solenoid valve ^{d)}	025300117-000					x
Conduct a "repeated test" per EN 62353	-	23				

a) data is in hours, if not available, data is in years
 b) check the operation of the relief valve on the dryer after every dryer malfunction
 c) Whichever occurs first: 2 years/10,000 hours.
 d) Whichever occurs first: 6 years/24,000 hours.

23.2. Check of product operation

- Check aggregate condition – the aggregates should be operating normally without excessive vibration or noise. Troubleshoot any problem or call in service personnel if trouble is detected.
- Visually inspect fan operation – the fans must be operating when the aggregates are running. Troubleshoot any problem or call in service personnel if trouble is detected.
- Check to ensure the power cord, the connecting compressed air hoses are undamaged. Replace damaged components or call in service personnel.
- Check the ambient temperature – the ambient temperature must be below the temperature limit (40°C). Cool the space if the temperature is high.
- Compressor with air dryer - open the plug on the condensate collecting vessel and drain the condensate.
- Check the service indicator on the display screen and schedule service as needed.
- Check the operating condition of the equipment (see Chapter 23.4).

23.3. Check the compressed air connections for leaks and inspect the equipment

Leak testing

- Check the compressor's compressed air lines for leaks during operation – pressure supplied by the compressor.
- Use a leak analyser or soapy water to check all joints and connections for leaks. Tighten or reseal the connection where leaks are found.

Inspecting the equipment

- Check the condition of the compressor aggregate for normal operation and noise levels.
- Fan operation check – the fans must be running during the defined compressor work cycles.
- Check function of the temperature switch (B2) – heat the temperature switch to temperature above 40°C (e.g. using a heat gun – Be careful, do not operate with high temperature on plastic components in the surrounding, it can cause deformation of plastic materials). Fan E1, E3 - the compressor must be under voltage.
- Check filters condition – filters must be undamaged and sufficiently clean.
- Check condition of the pump itself, check if there is no dirt inside the crankcase or clearance in the crankshaft.
- Replace any defective parts if there are any failures.
- Replace any defective parts as needed.
- Check the solenoid valves in the valve module – the valves should cyclically cycle between the chambers based on the description of the operation.
- Check the operating condition of the equipment (see Chapter 23.4).

23.4. Inspection of electrical connections



Risk of electric shock.

Inspect the product's electrical connections when the mains are disconnected.

- Check mechanical function of the main switch.
- Check if the power cable and conductors are not damaged.

- Visually check if cables are connected to the terminal box.
- Check all screw connections of the green-yellow PE grounding conductor.

Indication of an upcoming or expired service interval

Configuration of a new service interval

Press ESC + ► together and hold for 10 seconds to reset the service interval. Once complete, the display returns back to the home screen.

The SET UP function for a new service interval is only functional if the dryer indicates an upcoming service interval or that a service interval has expired. Once complete, the MAINT counter increases (number of completed service operations) by one. See the screen: Counters.

23.5. Condensate drain



A wet floor resulting from overflow from the vessel poses a slip hazard.

Regularly empty the condensate collection vessel.

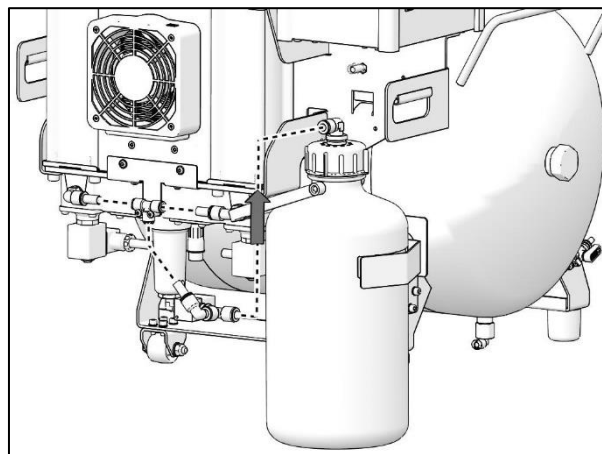


Switch off the compressor every time before emptying the vessel!

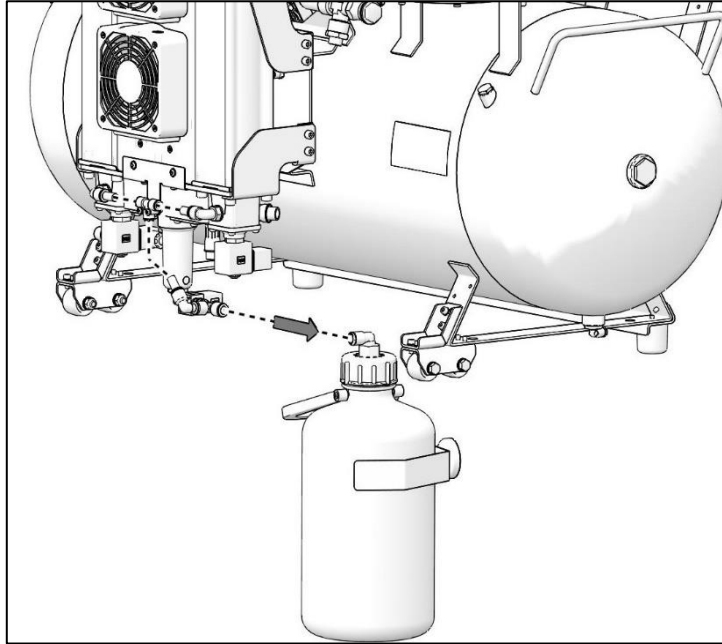
Condensate from compressors with air dryers is automatically drained into a vessel to collect condensate.

- Monitor the level in the vessel using the markings (depending on the volume of the vessel), and empty at least once a day.

Fig. 24: Check of the condensate collection vessel



DK50 4VR/50/M



DK50 2x4VR/110/M



Before the following checks it is required:

- For compressor variant with cabinet – unlock the door lock and open the cabinet door.

23.6. Check of safety valve

- Turn the screw (2) on the safety valve (1) several times to the left until the safety valve releases the air.
- Let the safety valve vent for a few seconds.
- Turn the screw (2) fully to the right, the valve must be closed now.



Fig. 25: Check of safety valve



Damage to the safety valve could cause pressure to rise to hazardous levels.

Never use the safety valve to release the air pressure in the air tank. This could damage the safety valve. The valve is set to the maximum permitted pressure by the manufacturer.

Never adjust a safety valve.



Venting compressed air poses an injury hazard.

Wear safety glasses when inspecting a safety valve.

23.7. Inlet filter replacement

The inlet filter (1) is located inside the compressor crankcase cover.

Inlet filter replacement:

- Pull out the rubber plug by hand (2).
- Remove the dirty intake filter (1).
- Insert a new filter and replace the rubber plug.

Pre-filter replacement:

- Pull out the pre-filter by hand (3).
- Replace with a new one and insert it back.

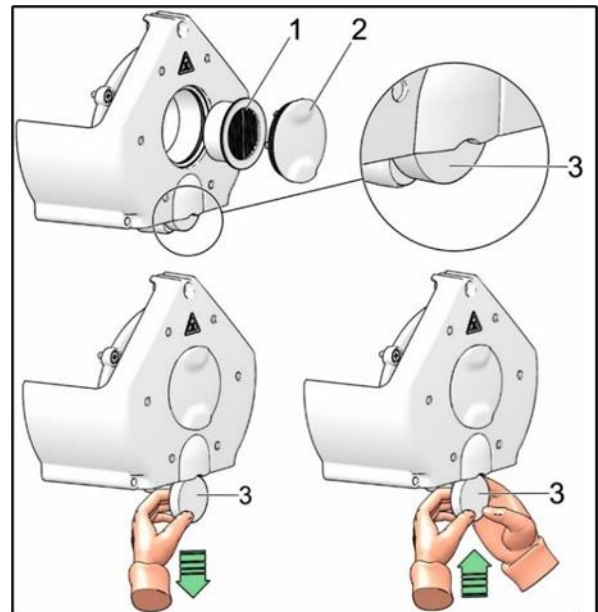


Fig. 26: Inlet filter replacement

23.8. Procedure for connecting a compressor disconnected from the cabinet



Prior to any maintenance or repair work, switch off the compressor and disconnect it from the mains (pull out the mains plug).

The compressor (without cabinet) requires that the jumper is always mounted in the terminal strip for correct operation (Fig. 27 pos. C,D, Fig. 28 pos. D). It then replaces the switch on the cabinet.



If there is no jumper in the terminal strip of the compressor (disconnected from the cabinet), the compressor will not work!

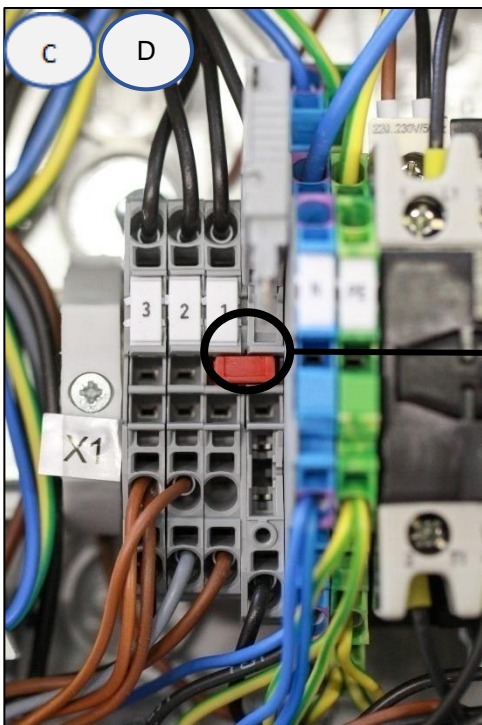
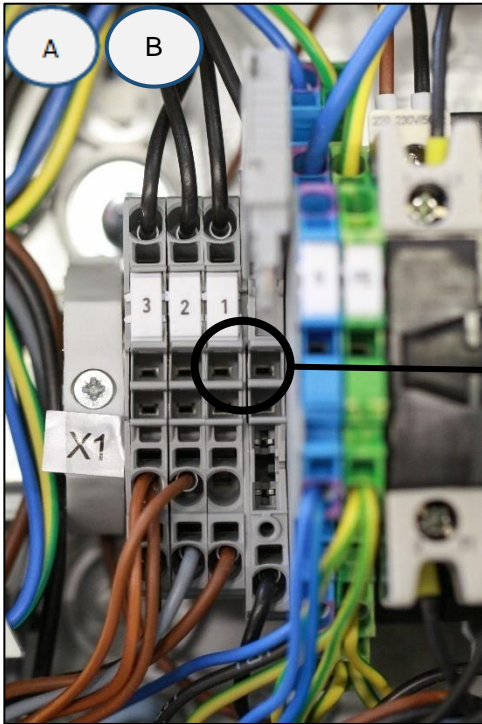
If the cord between the compressor and the cabinet becomes disconnected (by pulling the mains plug) and the compressor is removed from the cabinet, the compressor will not be functional. This is why it is necessary to first create a connection to the terminal strip with a jumper (replacing the circuit breaker function) (Fig. 27 pos. A,B, Fig. 28 pos. A).

PROCESS:

Jumper installation (A-B-C-D process)

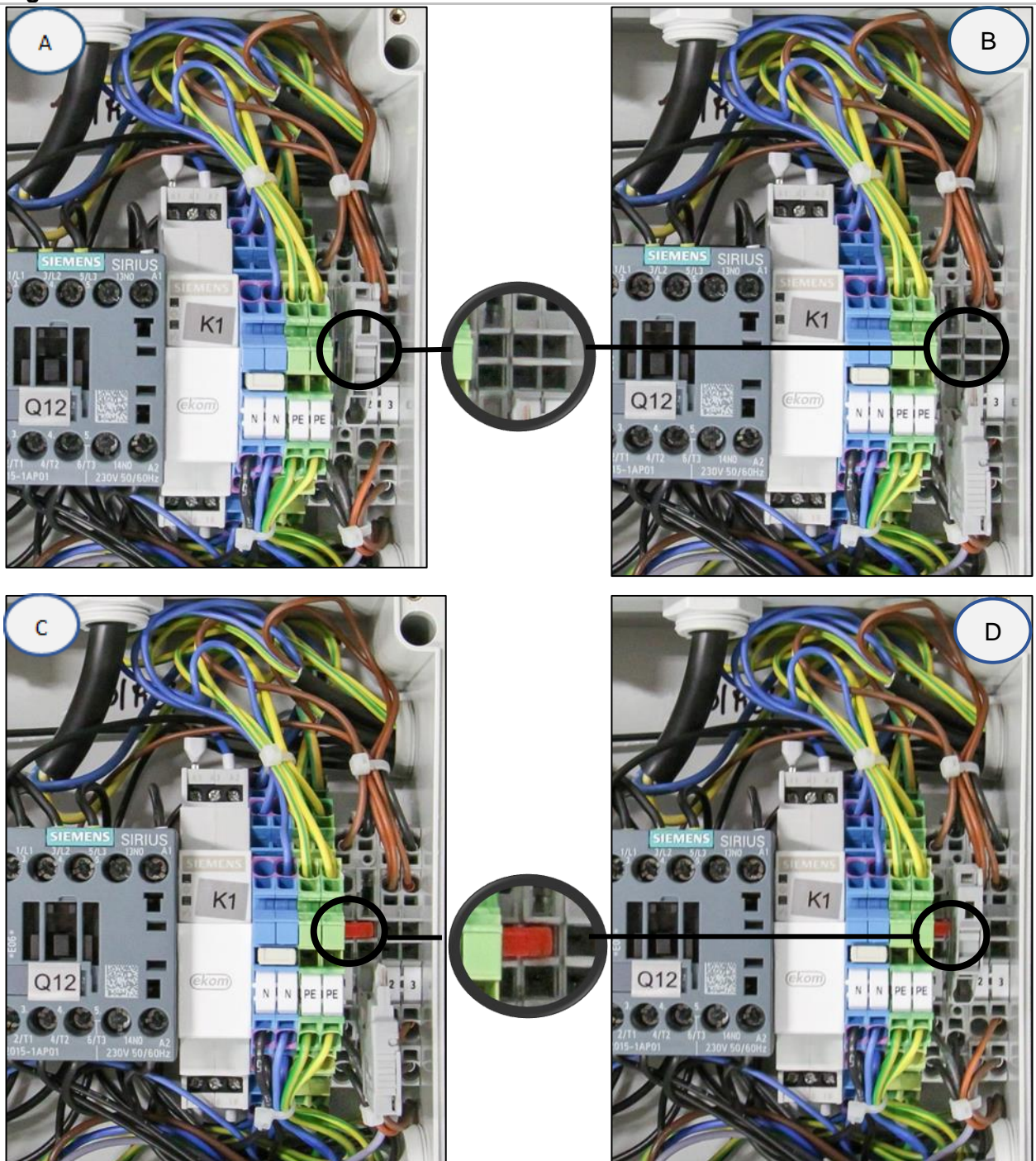
- Disconnect the product from the mains by pulling the plug out of the socket.
- Remove the cover on the electrical panel (on the compressor).
- The jumper is not in the terminal strip – A.
- Lift up the fuse cover – B.
- Insert the jumper into the terminal strip – C.
- Close the fuse cover – D.
- Reinstall the cover on the electrical panel.
- Connect the device to the electrical mains.
- Activate the compressor by turning on the switch on the pressure switch.

Fig. 27: DK50 4VR/50/M



400V

Fig. 28: DK50 2x4VR/110/M



400 V

23.9. Procedure for connecting a compressor to a new cabinet



Prior to any maintenance or repair work, switch off the compressor and disconnect it from the mains (pull out the mains plug).

The compressor in a cabinet requires that the jumper is not mounted in the terminal strip for correct operation (Fig. 27 pos. A,B, Fig. 28 pos. A). The switch on the cabinet switches the entire product on and off, including the compressor.



If there is a jumper in the terminal strip of the compressor connected to a cabinet, the switch on the compressor cabinet will not work!

If we want to connect a new cabinet to a compressor that previously worked alone (a compressor without a cabinet), then it is necessary to cancel the connection in the compressor terminal strip by performing the procedure, see further. (Fig. 27, Fig. 28). (See also chap. 13.1 and 13.2).

PROCESS:

Jumper removal (D-C-B-A process)

- Disconnect the product from the mains by pulling the plug out of the socket.
- Remove the cover on the electrical panel (on the compressor).
- The jumper is in the terminal strip – D
- Lift up the fuse cover – C
- Remove the jumper from the terminal strip – B
- Close the fuse cover – A
- Reinstall the cover on the electrical panel.
- Insert the compressor into the box.
- Connect the cabinet to the compressor by inserting the power cord with connector into a power socket. (Fig. 13)
- Connect the connector to the display on the front door of the cabinet.
- Connect the device to the electrical mains.
- Activate the compressor by turning on the switch on the pressure switch and the switch (4) on the cabinet (Fig. 23).

Compressor with cabinet - when operating in the cabinet, there must not be an electrical connection. (Fig. 27 pos. A,B, Fig. 28 pos A).

Note: **In case of using a compressor without a cabinet or in case of maintenance, a jumper which is not installed into the terminal strip should be kept** in a designated place next to the electrical panel.

23.10. Cleaning and disinfection of the exterior surfaces of the product

Clean and disinfect the exterior surfaces with neutral cleaning products.



Use of aggressive detergents and disinfectants containing alcohol and chlorides can lead to surface damage and discolouration.

23.11. Inspecting the cooled and fan

The equipment, in particular the compressor fan, cooler fan, and the cooler, must be kept clean to ensure efficient drying. Remove dust from the surface of the cooling fins and fans by vacuuming or blowing down with compressed air.

23.12. Dew point sensor calibration

It is recommended to calibrate the dew point sensor every 2 years on compressors equipped with this sensor. Calibration is performed by the manufacturer (Vaisala) and must be ordered online.

Sensor calibration ordering process:

- Visit the website www.vaisala.com, and then navigate to the *Services* section and select *Calibration and repair services*.
- Then enter the type of sensor (sensor type: **DMT143**) and select a calibration type, then follow the provided instructions.
- After removing the dew point sensor, blank off the place where the sensor was installed using the provided plug, sealed with the provided adhesive (applies to DK50 4VR/50/M compressors).

24. LONG-TERM SHUTDOWN

If the compressor is not going to be used for long period, it is recommended to drain all condensate from the air tank and switch on the compressor for about 10 minutes, keeping the drain valve open (1). Thereafter switch off the compressor using the switch (2) on the pressure switch (1) (Fig. 23), close the drain valve and disconnect the device from the mains.

25. DISPOSAL OF DEVICE

- Disconnect the equipment from the mains.
- Release the air pressure in the pressure tank by opening the drain valve.
- Dispose of the equipment following all applicable regulations.
- Entrust a specialised company to sort and dispose of waste.
- Worn out components have no negative environmental impact.

TROUBLESHOOTING**Risk of electric shock.****Before interfering with the equipment, first disconnect it from the mains (remove the power socket).****Working with pressurised pneumatic components poses a risk of injury.****Before interfering with the equipment, vent the air tank and the compressed air system to zero pressure.****Troubleshooting may only be performed by a qualified service technician.****Damage to the safety valve could cause pressure to rise to hazardous levels.****Never adjust a safety valve.**

Malfunction	Possible cause	Solution
Compressor does not switch on	No voltage in the pressure switch	Check voltage in socket
		Check circuit breaker switch – switch to position switched-on „I“
		Loose conductor from terminal - repair
		Check electrical cord – replace defective cord
	Motor winding failure, damaged thermal protection	Replace motor or windings
	Capacitor failure	Replace capacitor
Compressor often switches on	Seized piston or other rotating part	Replace damaged components
	Pressure switch does not switch	Check function of pressure switch
	Air leakage in pneumatic system	Check pneumatic system – seal loose connections
	Non-return valve (SV) leakage	Clean non-return valve, replace seals, replace non-return valve
Low pressure in the air tank (compressor running constantly)	Large volume of condensed liquid in pressure tank	Drain condensed liquid
	Low compressor capacity	Check time of filling the air tank
	High air consumption of supplied equipment	Decrease air consumption Use compressor with higher capacity
	Leakage in pneumatic system	Check pneumatic system – seal loose connections
	Low capacity of the pump	Clean / replace the pump
Prolonged operation of the	Pump failure	Clean / replace the pump
	Dryer failure	Replace dryer
	Air leakage in pneumatic system	Check pneumatic system – seal loose connection

compressor	Worn piston ring	Replace worn piston ring
	Dirty inlet filter	Replace dirty filter with new filter
	Incorrect function of solenoid valve	Repair or replace fan or coil
Compressor is noisy (knocking, metal noises)	Damaged piston bearing, piston rods, motor bearing	Replace damaged bearing
	Loose (cracked) dampening element (spring)	Replace damaged spring
Dryer does not dry (condensed water in the air) *	Defective cooler fan	Replace fan Check power source
	Damaged dryer	Replace dryer
	Defective automatic condensate drain	Clean / replace
Degraded drying performance – high-pressure dew point (condensed water in the air)	Low operating pressure	Reduce the demand for air, check the output from the compressed air source, fix any leaks in the distribution system
	Regeneration solenoid valve not working	Check coil operation, replace if damaged Inspect the condition of the valve – clean the valve or replace if problems persist
	Air regeneration nozzle plugged	Clean or replace the nozzle (see product maintenance)
	Cooling fan not working	Check the power source to the fan Replace damaged fan
	Dirty cooler	Inspect the cooler and clean as necessary
	Silencer plugged at outlet from regeneration valve	Inspect the silencers. Clean or replace the silencer if flow resistance is too high or if heavily soiled.
Dryer emitting high levels of noise	Damaged fan	Replace damaged fan
	Damaged silencer	Replace the silencer
	Air leaking through relief valve at dryer inlet	Check the dryer connection to the mains and dryer connections, check the dryer operation, check the dryer's working pressure, and replace defective components.
Air leaking through relief valve at dryer inlet	High working pressure from air source	Check the pressure setting on the compressed air source
	Dryer inlet solenoid valve not working	Check the coil operation, replace if damaged Inspect the condition of the valve – clean the valve or replace if problems persist
	High pressure in equipment resulting from plugged filters	Check the internal filters and accessory filter assemblies. Clean or replace dirty filters.

)* Clean inside surfaces of the air tank thoroughly and remove all condensed liquid after dryer failure.

Once a dryer fault is cleared and after its reassembly, the dryer should quickly be regenerated, best when using continuous compressor operation at a pressure of around 1 bar for a period of at least

1 hour; then check the dryness of the compressed air.



Check the moisture content of the air exiting the air tank (see the Technical data chapter) to prevent damage to connected downstream equipment.

26. REPAIR SERVICE

Warranty and post-warranty repairs must be done by the manufacturer, its authorized representative, or service personnel approved by the supplier.

Attention.

The manufacturer reserves the right to make changes to the equipment without notice. Any changes made will not affect the functional properties of the equipment.

INHALT

WICHTIGE INFORMATIONEN	78
1. ÜBEREINSTIMMUNG MIT DEN ANFORDERUNGEN DER EU-RICHTLINIEN	78
2. BESTIMMUNGSGEMÄÙE VERWENDUNG.....	78
3. GEGENANZEIGEN UND NEBENWIRKUNGEN	78
4. SYMBOLE.....	78
5. WARNHINWEISE	79
6. LAGERUNGS- UND TRANSPORTBEDINGUNGEN.....	81
PRODUKTBESCHREIBUNG.....	82
7. VERSIONEN.....	82
8. ZUBEHÖR	83
9. PRODUKTFUNKTION	84
TECHNISCHE DATEN.....	91
INSTALLATION.....	103
10. INSTALLATIONSBEDINGUNGEN.....	103
11. ZUSAMMENBAU DES KOMPRESSORS	103
12. PNEUMATISCHER ANSCHLUSS.....	108
13. ELEKTRISCHER ANSCHLUSS	110
14. PLATZIERUNG DES KOMPRESSORS IM GEHÄUSE	111
15. INBETRIEBNAHME	118
16. DRUCKLUFT- UND ELEKTROSCHALTPLÄNE.....	119
BETRIEB	126
17. EINSCHALTEN DES KOMPRESSORS	127
18. AUSSCHALTEN DES KOMPRESSORS.....	127
AD-TROCKNER.....	128
19. FUNKTIONSWEISE.....	128
20. BENUTZEROBERFLÄCHE/-EINSTELLUNGEN	129
21. HAUPTBILDSCHIRME.....	131
22. ANZEIGE DER WARTUNGS- UND ALARMZUSTÄNDE	133
PRODUKTWARTUNG.....	136
23. PRODUKTWARTUNG	136
24. LANGFRISTIGE AUßERBETRIEBNAHME	146
25. ENTSORGUNG DES GERÄTS.....	146
FEHLERBEHEBUNG.....	147
26. REPARATURDIENST	149
ANHANG	515
26. INSTALLATIONSPROTOKOLL.....	516

WICHTIGE INFORMATIONEN

1. ÜBEREINSTIMMUNG MIT DEN ANFORDERUNGEN DER EU-RICHTLINIEN

Dieses Produkt erfüllt die Anforderungen der Verordnung (EU) über Medizinprodukte (MDR 2017/745) und ist bei bestimmungsgemäßer Verwendung sicher, sofern alle Sicherheitshinweise beachtet werden.

2. BESTIMMUNGSGEMÄÑE VERWENDUNG

Der Kompressor wird als Quelle für saubere, ölfreie Druckluft verwendet, um aktive medizinische Geräte zu versorgen, bei denen die Parameter und Eigenschaften der Druckluft für die spezifische Anwendung geeignet sind.



Die Luft aus dem Kompressor ist nicht für den Anschluss an Geräte zur künstlichen Lungenbeatmung geeignet.

Jegliche Nutzung des Produkts über die bestimmungsgemäÑe Verwendung hinaus gilt als unsachgemäÑe Nutzung. Der Hersteller haftet nicht für Schäden oder Verletzungen aufgrund einer unsachgemäÑen Nutzung.

3. GEGENANZEIGEN UND NEBENWIRKUNGEN

Es sind keine Gegenanzeigen oder Nebenwirkungen bekannt.

4. SYMBOLE

Die folgenden Symbole und Markierungen werden in dem Benutzerhandbuch, auf dem Gerät und auf seiner Verpackung verwendet:



Allgemeiner Warnhinweis



Achtung – Stromschlaggefahr!



Achtung – Kompressor wird automatisch gesteuert!



Achtung – heiÑe Oberfläche!



Allgemeine Warnungen



Lesen Sie die Bedienungsanweisungen



Beachten Sie das Bedienungshandbuch





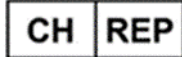


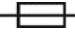







CE-Kennzeichnung



Medizinprodukt



Seriennummer

	Artikelnummer
	Einmalige Produktkennung
	Schweizer Bevollmächtigter
	Schweizer Importeur
	Schutzerdung
	Sicherung
	Etikett für die Handhabung der Verpackung – zerbrechlich
	Etikett für die Handhabung der Verpackung – diese Seite nach oben
	Etikett für die Handhabung der Verpackung – trocken lagern
	Etikett für die Handhabung der Verpackung – Temperaturgrenzwerte
	Etikett für die Handhabung der Verpackung – Stapelbeschränkung
	Verpackungsetikett – recycelbares Material
	Hersteller

5. WARNHINWEISE

Das Produkt wurde so entwickelt und hergestellt, dass der Benutzer und die Umgebung sicher sind, wenn das Produkt ordnungsgemäß verwendet wird. Beachten Sie die folgenden Warnhinweise.

5.1. Allgemeine Warnhinweise

LESEN SIE VOR DER VERWENDUNG DES GERÄTS DAS BENUTZERHANDBUCH SORGFÄLTIG DURCH UND BEWAHREN SIE ES FÜR DIE KÜNFTIGE NUTZUNG AUF!

- Das Benutzerhandbuch enthält Anleitungen zur korrekten Installation, Bedienung und Wartung des Produkts. Eine sorgfältige Durchsicht dieses Handbuchs liefert Ihnen die notwendigen Informationen für den korrekten Betrieb des Produkts.
- Die Originalverpackung sollte für die Rücksendung des Geräts aufbewahrt werden. Nur die Originalverpackung garantiert einen optimalen Transportschutz des Geräts. Falls eine Einsendung des Produkts während der Garantiezeit notwendig werden sollte, haftet der Hersteller nicht für Schäden, die auf eine mangelhafte Verpackung zurückzuführen sind.
- Schäden, die durch die Nutzung von anderem als dem vom Hersteller vorgeschriebenen Zubehör entstehen, sind von dieser Gerätegarantie ausgeschlossen.

- Der Hersteller garantiert die Sicherheit, Zuverlässigkeit und Funktion des Geräts nur, wenn:
 - Montage, Neueinstellungen, Änderungen, Erweiterungen und Reparaturen durch den Hersteller oder einen vom Hersteller autorisierten Dienstleister erfolgen
 - das Produkt gemäß den Vorgaben des Benutzerhandbuchs verwendet wird
- Das Benutzerhandbuch entspricht zum Zeitpunkt seines Drucks den Produktmodellen und deren Erfüllung der geltenden Sicherheits- und Technikstandards. Der Hersteller behält alle Rechte an seinen Konfigurationen, Verfahren und Namen.
- Die Übersetzung des Benutzerhandbuchs erfolgte nach bestem Wissen. Bei Unsicherheiten gilt die slowakische Version.
- Dieses Benutzerhandbuch ist die deutsche Übersetzung der Originalbetriebsanleitung. Die Übersetzung erfolgte nach bestem Wissen.

5.2. Allgemeine Sicherheitswarnungen

Der Hersteller hat das Produkt so entwickelt und hergestellt, dass bei korrekter Nutzung entsprechend der bestimmungsgemäßen Verwendung die Risiken minimal sind. Der Hersteller legt die folgenden Sicherheitsvorschriften für den Gebrauch des Geräts fest.

- Die Verwendung und Bedienung des Produkts muss den am Standort geltenden Vorschriften und Gesetzen entsprechen. Der Bediener und Nutzer des Produkts muss alle gültigen Vorschriften einhalten, um eine sichere Arbeit zu gewährleisten.
- Nur die Nutzung von Originalteilen gewährleistet die Sicherheit des Bedienpersonals sowie ein reibungsloses Funktionieren des Produkts. Es dürfen nur Zubehör- und Ersatzteile verwendet werden, die in der technischen Dokumentation aufgeführt oder ausdrücklich vom Hersteller zugelassen sind.
- Der Bediener muss vor jeder Nutzung das korrekte und sichere Funktionieren des Geräts überprüfen.
- Der Nutzer muss sich mit der Bedienung des Geräts vertraut gemacht haben.
- Das Produkt darf nicht in explosionsgefährdeten Bereichen eingesetzt werden.
- Der Benutzer muss den Lieferanten sofort bei Problemen informieren, die in Verbindung mit dem Betrieb des Geräts auftreten.
- Alle schwerwiegenden Zwischenfälle, die im Zusammenhang mit dem Produkt aufgetreten sind, müssen dem Hersteller und der zuständigen Behörde jenes Mitgliedstaates gemeldet werden, in dem der Anwender und/oder der Patient niedergelassen ist.

5.3. Sicherheitswarnhinweise zum Schutz vor elektrischem Strom

- Das Gerät darf nur an einen ordnungsgemäß installierten Stromkreis angeschlossen werden.
- Vor dem Anschluss des Produkts muss sichergestellt werden, dass die auf dem Gerät angegebene Netzspannung und Netzfrequenz mit den Werten des Versorgungsnetzes übereinstimmen.
- Überprüfen Sie das Gerät vor der Inbetriebnahme auf Schäden an den Druckluftleitungen und Stromkabeln. Beschädigte Druckluftleitungen und Stromkabel sind sofort zu ersetzen.
- Trennen Sie das Produkt sofort vom Stromnetz (dazu Netzkabel aus der Steckdose ziehen), wenn eine Gefahrensituation oder ein technischer Fehler auftritt.
- Stellen Sie bei allen Reparatur- und Wartungsarbeiten sicher, dass:
 - der Netzstecker aus der Steckdose gezogen wurde
 - Der Druck aus allen Druckluftbehältern und -leitungen abgelassen wurde

- Das Gerät muss von einem qualifizierten Fachmann installiert werden.

6. LAGERUNGS- UND TRANSPORTBEDINGUNGEN

Der Kompressor wird ab Hersteller in einer Transportverpackung versendet. Diese schützt das Produkt während des Transports vor Schäden.



Beschädigungsgefahr für Pneumatikkomponenten!

Der Kompressor darf nur transportiert werden, wenn die gesamte Luft abgelassen wurde. Vor dem Bewegen oder Transportieren des Kompressors entlassen Sie jegliche Druckluft aus dem Behälter und den Druckschläuchen und lassen Sie das Kondensat aus dem Behälter und dem Kondensatabscheider am Trockner ab.



Bewahren Sie die Originalverpackung für den Fall auf, dass das Gerät zurückgesendet werden muss. Verwenden Sie die Originalverpackung für den Transport, da sie optimalen Schutz für das Produkt bietet. . Sollte es nötig sein, das Produkt während der Garantiezeit einzusenden, haftet der Hersteller nicht für Schäden, die auf eine mangelhafte Verpackung zurückzuführen sind.



Der Kompressor muss in vertikaler Position geliefert und mit Transportgurten befestigt werden.



Schützen Sie den Kompressor während des Transports und der Lagerung vor Feuchtigkeit, Schmutz und extremen Temperaturen. Nicht in der Nähe von flüchtigen chemischen Substanzen lagern.



Sollte dies nicht möglich sein, entsorgen Sie die Originalverpackung auf umweltfreundliche Art. Der Verpackungskarton kann als Altpapier recycelt werden.



Die Lagerung und der Versand des Geräts in einem anderen als dem vorgeschriebenen Zustand sind strikt untersagt.

6.1. Umgebungsbedingungen

Die Produkte dürfen nur unter den folgenden klimatischen Bedingungen in Fahrzeugen gelagert und transportiert werden, die keine Spuren flüchtiger Chemikalien aufweisen:

Temperatur

–25 °C bis +55 °C

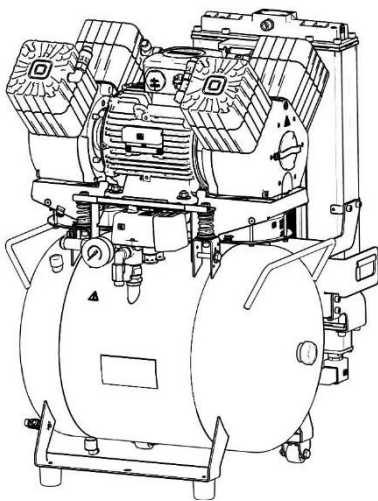
Relative Feuchtigkeit

max. 90 % (nicht kondensierend)

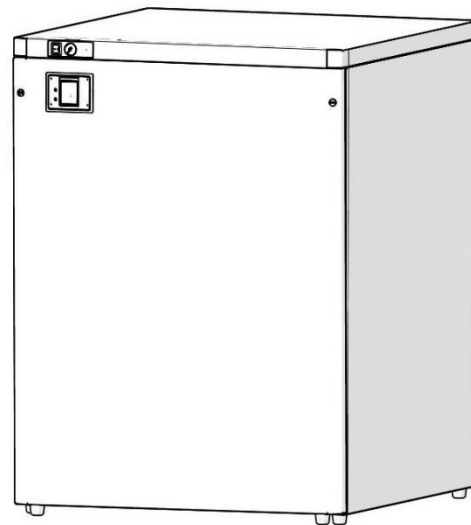
PRODUKTBESCHREIBUNG**7. VERSIONEN**

Der Kompressor ist gemäß seinem Verwendungszweck in den folgenden Modellen erhältlich:

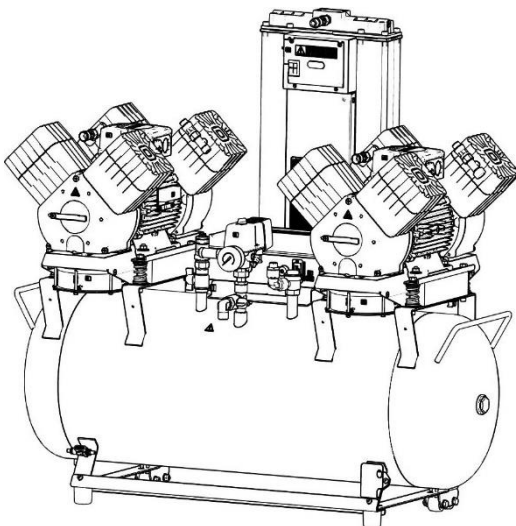
DK50 4VR/50/M	Kompressor mit Adsorptionstrockner
DK50 4VR/50S/M	Kompressor im Gehäuse mit Adsorptionstrockner
Gehäuse S50R	Reduziert den Geräuschpegel des Kompressors
DK50 2x4VR/110/M	Kompressor mit Adsorptionstrockner
DK50 2x4VR/110S/M	Kompressor im Gehäuse mit Adsorptionstrockner
Gehäuse S110R	Reduziert den Geräuschpegel des Kompressors



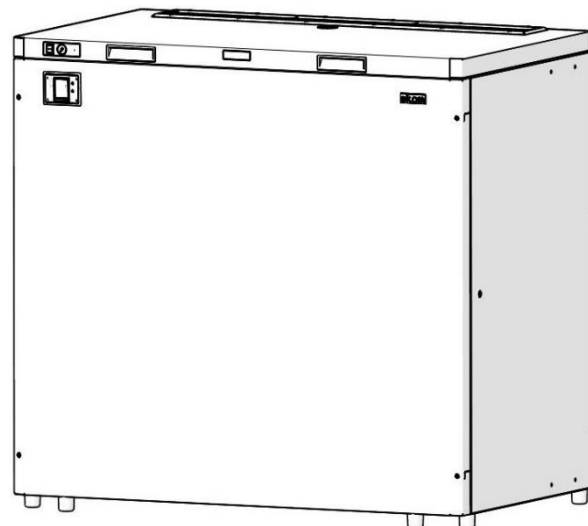
DK50 4VR/50/M



S50R
DK50 4VR/50S/M



DK50 2x4VR/110/M



S110R
DK50 2x4VR/110S/M

8. ZUBEHÖR

Zubehör, das nicht Teil des Lieferumfangs ist, muss separat bestellt werden.

Satz mit Druckluft-Ausgangsfiltern

Der Kompressor kann, sofern angegeben, mit einem Filtersatz ausgestattet werden. Der Filtersatz kann mit einem Druckluftregler ausgestattet werden.



Ist ein anderer Grad an Luftfilterung nötig, muss dies mit dem Lieferanten vereinbart und in der Bestellung klar angegeben werden.

Typ	Verwendung	Grad der Luftfilterung (µm)	Artikelnummer
FS 30F	DK50 4VR/50/M	1	604014119-014
FS 30M		1+0,1	604014119-015
FS 30S		1+0,01	604014119-017
FS 30A		1+0,01+A**	604014119-018*
FS 40F	DK50 2x4VR/110/M	1	604014119-000
FS 40M		1+0,1	604014119-004
FS 40S		1+0,01	604014119-024
FS 40AH		1+AC+HC (0,01)	604014119-005

**) A –Submikrofilter mit Aktivkohle

*) – Set FS 30A, in der Standardkonfiguration. Dies kann bei den Produkten DK50 4VR/50/M nicht mit einem Druckregler kombiniert werden. Wenden Sie sich bitte an Ihren Lieferanten, wenn Sie Interesse an diesem Set (mit einem Regler) haben

Filtersatz Reglerbaugruppe

Der Kompressor kann gegebenenfalls mit einem Druckregler des Druckluftauslasses ausgestattet sein. Der Regler muss entsprechend der Anwendung auf den Filtersatz oder separat ausgewählt werden. Der Regler muss einen konstanten Druck am Auslass gewährleisten.

Typ	Verwendung	Artikelnummer
Druckregler (für Filtersatz)	DK50 4VR/50/M	604014130-000
REG12 (Separater)		447000001-088
Druckregler	DK50 2x4VR/110/M	604014125-000
REG15		447000001-243

Filtersatz Halterungen



Für jeden Filtersatz muss eine passende Halterung bestellt werden.

Typ	Verwendung	Artikelnummer
Halterung für Kompressormontage	DK50 4VR/50/M	603014177-000
Halterung für Kompressormontage	DK50 2x4VR/110/M	604014131-000
Halterung für Wandmontage		603014120-000

3KOM-Module zur Steuerung mehrerer Kompressoren in der Master-Slave-Funktion

Ein 3KOM-Steuermodul kann bestellt werden, um den Betrieb von 2 oder 3 identischen Kompressoren mit gleichem Druckbereich in der Master-Slave-Funktion zu verwalten. Im Betrieb

übernimmt der Regler im Modul die Schaltfunktion des Kompressors. Das Steuermodul kann mit den in der folgenden Tabelle dargestellten Konfigurationen bestellt werden.

Kompressormodell	Steuerschema	Artikelnummer des Einbausatzes	Luftauslass des Systems
DK50 4VR/50/M	1+1	603002152-000	G3/4"
DK50 2x4VR/110/M	1+1+1		

Potenzialausgleichsbuchse

Die Buchse ermöglicht einen Potenzialausgleich.

Typ	Verwendung	Name	Artikelnummer
POAG-KBT6-EC	DK50 4VR/50S/M	Netzstecker	033400075-000
FLEXI-S/POAG-HK6	DK50 2x4VR/110S/M	Zuleitung (1 m)	034110083-000

9. PRODUKTFUNKTION

9.1. Kompressor mit Adsorptionstrockner

(Abb. 1, Abb. 2) Das Kompressorluftpumpe (1) zieht die Luft durch den Ansaugfilter (8) an und komprimiert sie durch ein Rückschlagventil (3) und in einen Verteiler, von dem aus sie über einen Anschlussschlauch zum Adsorptionstrockner (9) geleitet wird. Vom Einlass in das Trocknermodul wird die Luft zunächst im integrierten Kühler (17) gekühlt und strömt anschließend durch den Kondensatabscheider (24) und tritt in die Aktivkammer mit Adsorbiermittel (19) ein, wo die Luft getrocknet wird. Ein Teil der Luft wird in die zweite Kammer, die Regenerationskammer, geleitet, wo die Luft eingesetzt wird, um Feuchtigkeit aus dem Adsorbiermittel zu ziehen. Die Aktivkammer schaltet zyklisch. Die trockene Luft strömt dann durch das Rückschlagventil (3) in den Luftbehälter (2).

* Bei den Kompressoren DK50 4VR/50/M wird der Verteiler mit Rückschlagventil nicht verwendet, und die Luft wird direkt zum Lufttrockner geleitet.

9.2. Kompressorgehäuse

(Abb. 4) Das schalldichte Gehäuse dient zur kompakten Abdeckung des Kompressors. Gleichzeitig gewährt es einen ausreichenden Luftaustausch und dämpft Geräusche wirkungsvoll. Wegen seinem Design kann er in einer Zahnarztpraxis als Teil der Möblierung aufgestellt werden. Der Lüfter (10) unter der Kompressorpumpe kühlt den Kompressor. Er läuft gleichzeitig mit dem Kompressormotor oder nach dem Einschalten des Temperaturschalters bei einer Temperatur von über 40 °C. Nachdem der Gehäusebereich auf weniger als ca. 32 °C abgekühlt ist, schaltet sich der Lüfter automatisch ab. Das Display (33) des Lufttrockners befindet sich an der Vorderseite des Schanks.



Überhitzungsgefahr des Kompressors!

Stellen Sie sicher, dass der Einlass für die Kühlluft in das Gehäuse (im Bodenbereich des Gehäuses) und der Auslass für die Warmluft an der Rückseite des Gehäuses im oberen Bereich nicht blockiert sind.

Wird der Kompressor auf eine weiche Unterlage gestellt (z. B. auf einen Teppich), sorgen Sie für einen Abstand zwischen der Basis und dem Boden oder dem Gehäuse und dem Boden, indem die Füße z. B. auf feste Blöcke gestellt werden. Damit wird eine ausreichende Kühlung des Kompressors gewährleistet.

Beschreibung für Abbildungen 1 - 3

1	Luftpumpe	22	Regenerationsmagnetventil
2	Druckluftbehälter	23	Trocknerlüfter
3	Rückschlagventil	24	Kondensatabscheider
4	Druckschalter	25	Kondensatablassmagnetventil
5	Sicherheitsventil	26	*Trocknerdisplay
6	Manometer	27	Drucklufteingang
7	Ablassventil	28	Gehäuselüfter
8	Ansaugfilter	29	Gehäuse-Druckmesser
9	Adsorptionstrockner	30	Schalter
10	Kompressorlüfter	31	Gehäuseverbinder
11	Kondensatauffangbehälter	32	Manometer-Schlauch
12	Magnetische Halterung	33	Gehäusedisplay
13	Druckluftausgang	34	Gasfedern für Gehäuse
14	Schaltkasten	35	Rollen zum Einstellen
15	***Taupunktsensor	36	Zuleitungsschnur
16	Ablassmodul	37	**Buchse
17	Kühlmodul	38	Austritt von Kondensatabscheider und Regenerationsventilen
18	Elektroschalttafel	39	Rollen
19	Trocknungskammer	40	Wandanschlag
20	Einlassventilmodul	41	Verbindungsausstrebung
21	Drucklufteingang	42	Griff

* Position 26 gilt für das Modell DK50 4VR/50/M, DK50 2x4VR/110/M ohne Schrank; Position 26 beim DK50 2x4VR/110 S/M mit Schrank ist eine einfache Abdeckung.

** Bei der Schrankausführung wird das mit dem Display (37) in der Vorderseite des Schranks verbundene Kabel durch die Universalbuchse geführt.

*** Gilt für Modelle mit Taupunktsensor.

Abb. 1: DK50 4VR/50/M – Kompressor mit Adsorptionstrockner

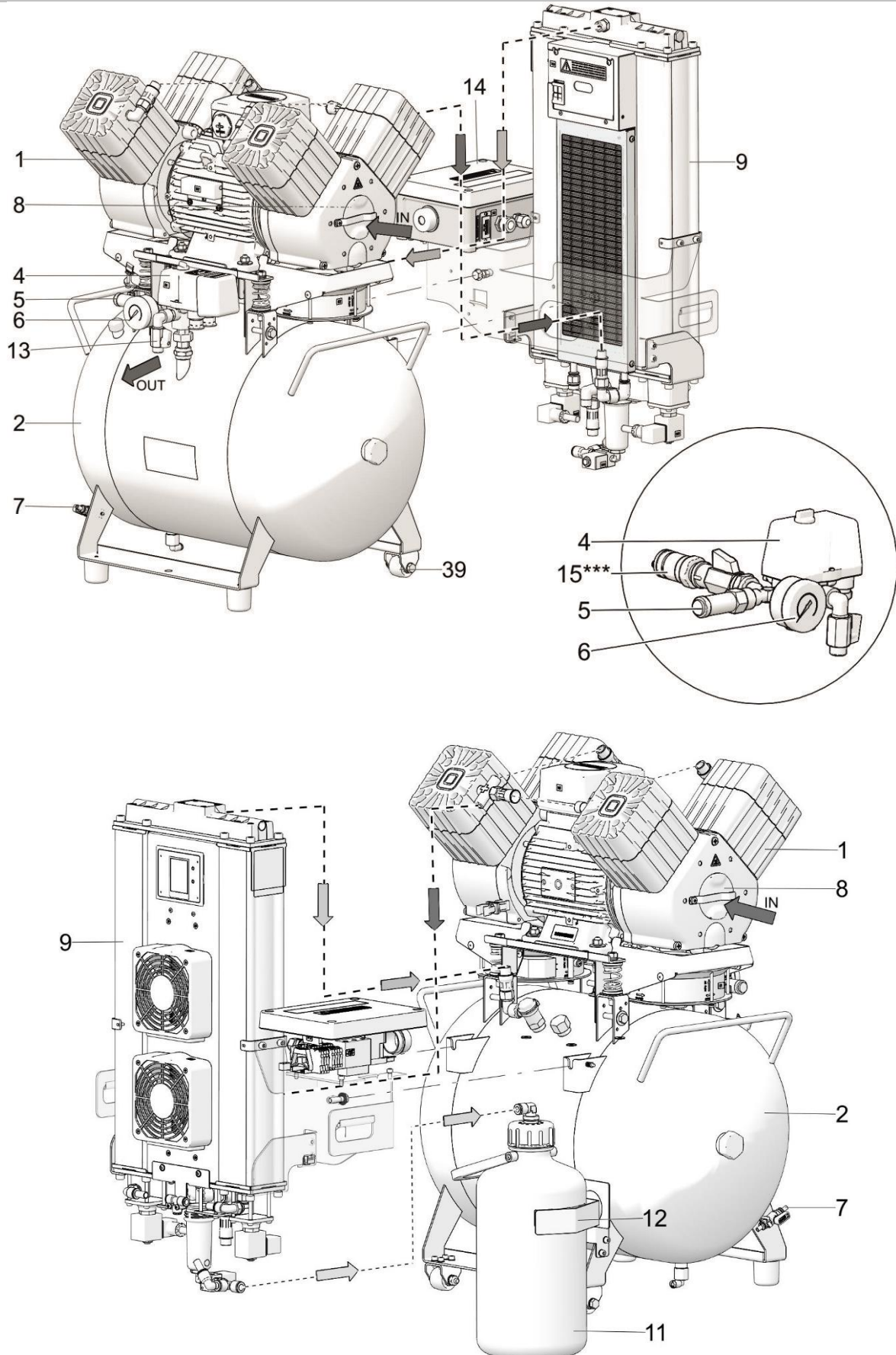


Abb. 2: DK50 2x4VR/110/M – Kompressor mit Adsorptionstrockner

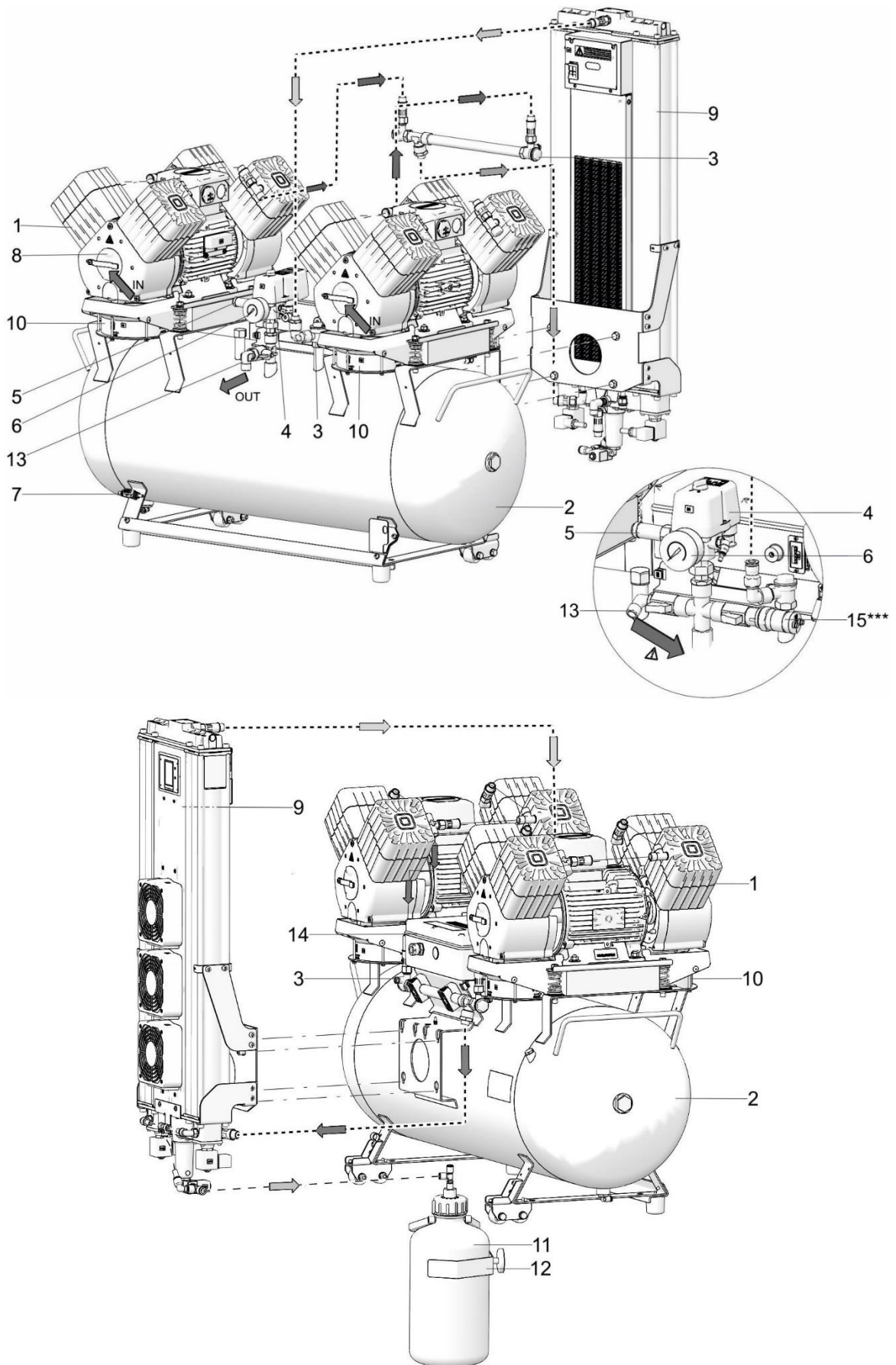
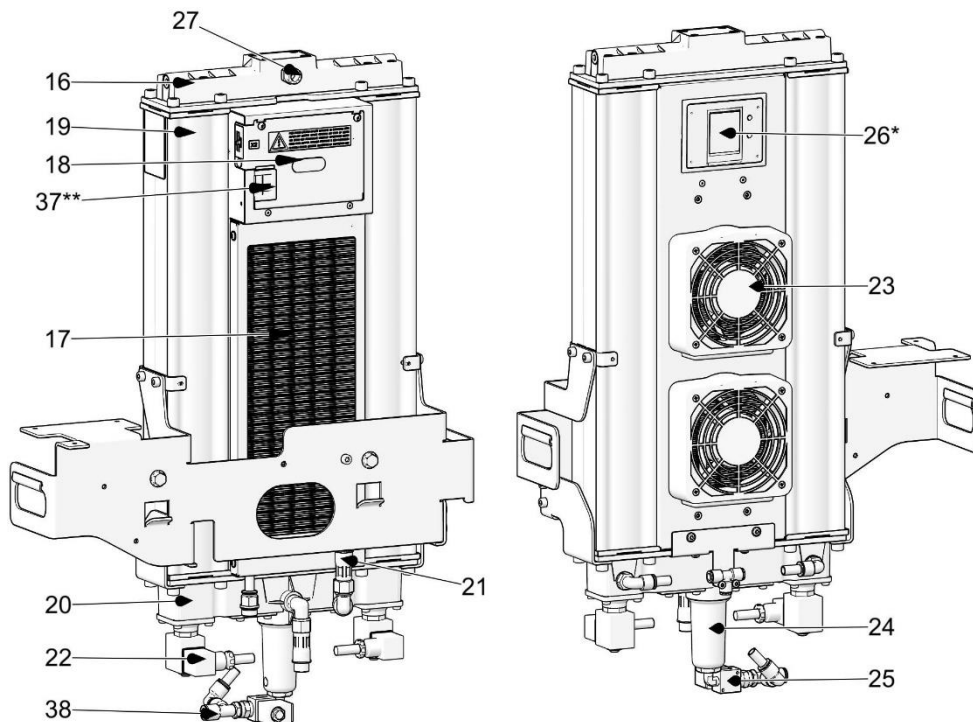
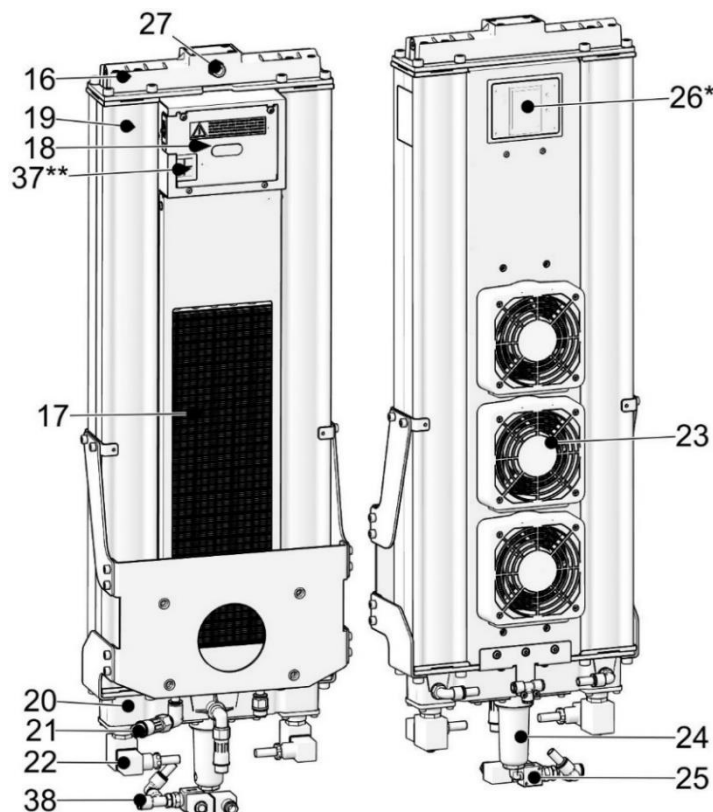


Abb. 3: Adsorptionstrockner



ADM 280/50

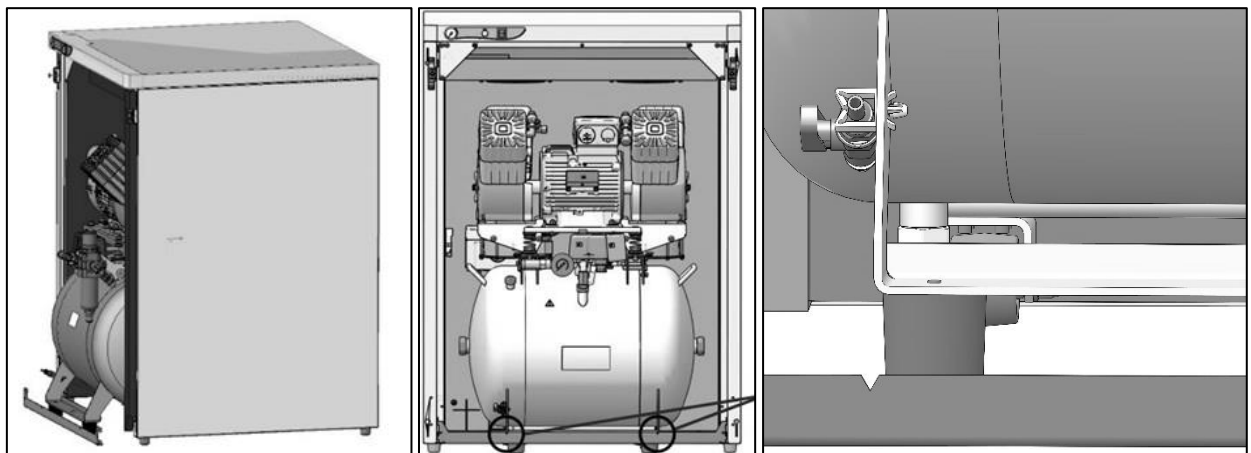
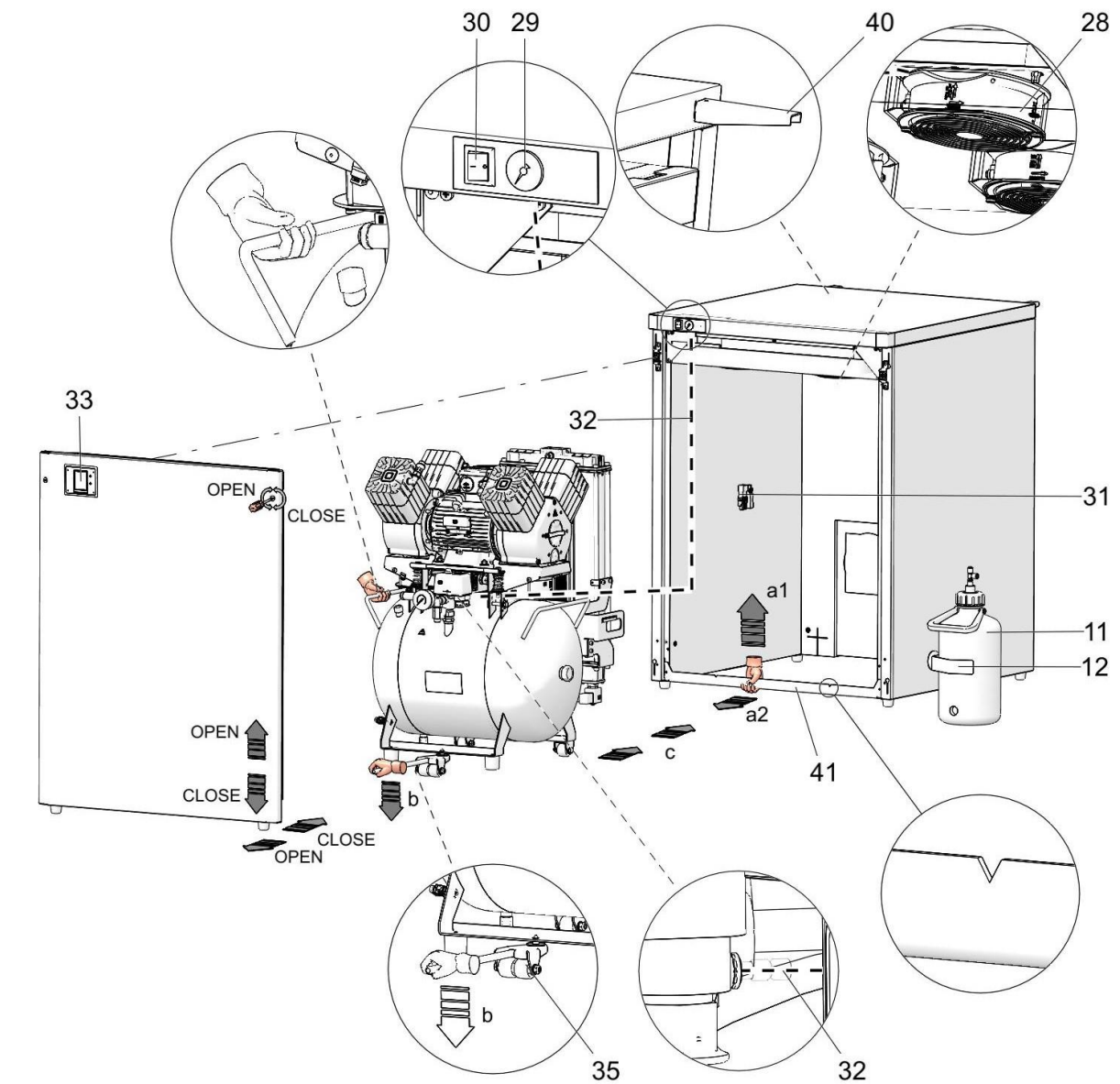


ADM 500/110

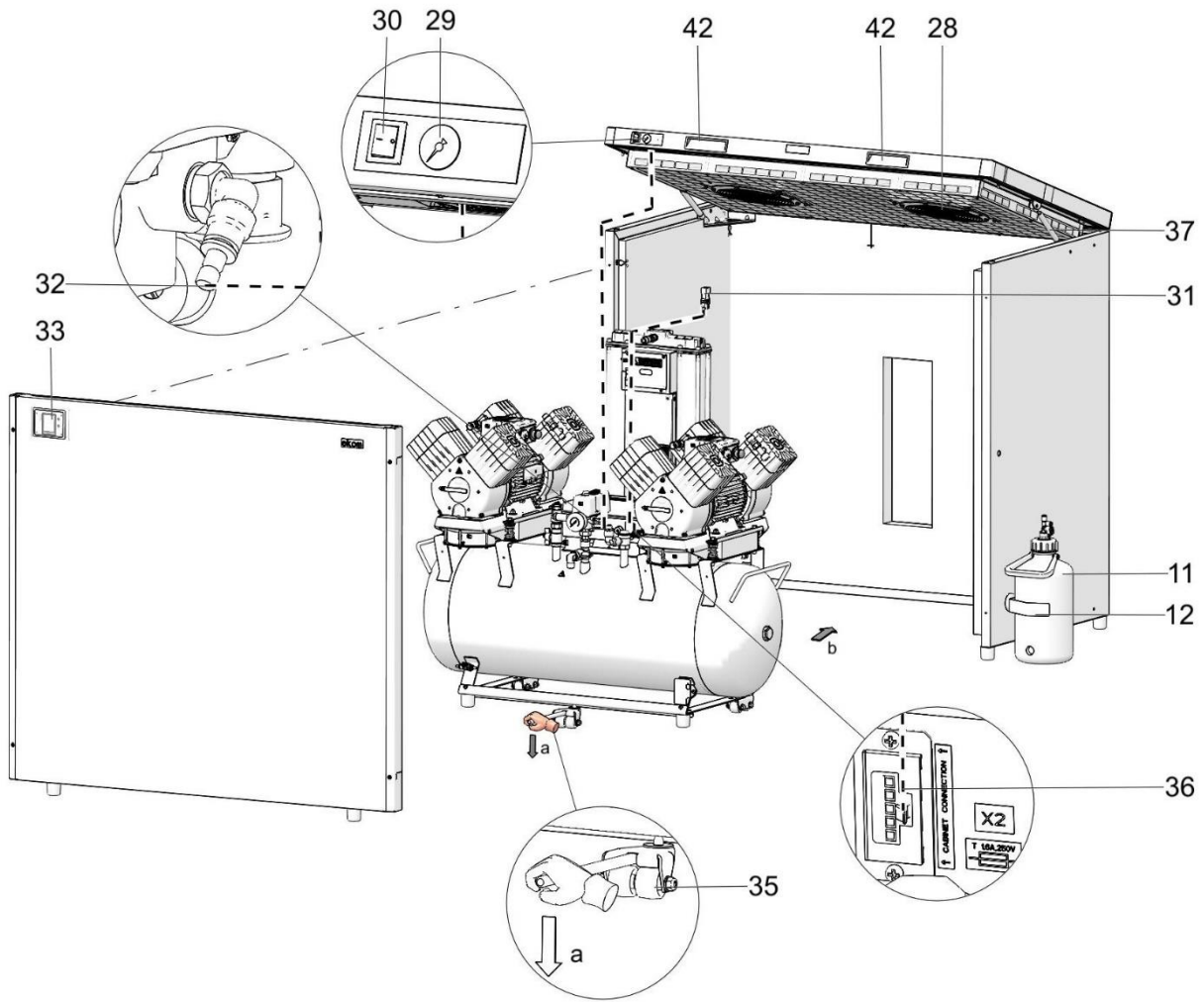
* Position 26 gilt für das Modell DK50 4VR/50/M, DK50 2x4VR/110/M ohne Schrank; Position 26 beim DK50 2x4VR/110 S/M mit Schrank ist eine einfache Abdeckung.

** Bei der Schrankausführung wird das mit dem Display (37) in der Vorderseite des Schranks verbundene Kabel durch die Universalbuchse geführt.

Abb. 4: Gehäuse



A – DK50 4VR/50S/M



B – DK50 2x4VR/110S/M

TECHNISCHE DATEN

Die Kompressoren sind für den Betrieb in trockenen, belüfteten und staubfreien Innenräumen unter den folgenden klimatischen Bedingungen vorgesehen:

Temperatur +5 °C bis +40 °C

Relative Feuchtigkeit max. 70 %

Arbeitsdruck 6 – 8 bar		DK50 4VR/50/M	DK50 4VR/50 S/M
Nennspannung, Frequenz ^{a)}	V, Hz	3x400, 50	3x400, 50
Kapazität bei 6 bar (FAD)	l/min	235	235
Arbeitsdruck ^{b)}	bar	6,0 – 8,0	6,0 – 8,0
Nennstrom	A	5,4	5,8
Motorleistung	kW	2.2	2.2
Volumen Drucklufttank	l	50	50
Luftqualität – Filterung	µm	-	-
Max. Betriebsdruck des Sicherheitsventils	bar	9,0	9,0
Geräuschpegel bei 5 bar (L _{pA})	dB	≤ 73,5	≤ 56,0
Betriebsmodus	%	S1-100	S1-100
DTP-Trocknungsleistung bei 7 bar ^{d)}	°C	≤ -20	≤ -20
Alarm niedriger Druck im Trockner	bar	< 3	< 3
Alarm hoher Druck im Trockner	bar	> 9	> 9
Alarm hoher Taupunkt im Trockner	°C	> -20	> -20
Zeit, den Druckluftspeicher von 0 bis 7 bar zu füllen	s	85	85
Abmessungen (netto) L x B x H	mm	580x590x815	750x780x1015
Nettogewicht ^{c)}	kg	95	151
Klassifizierung unter EN 60601-1		Klasse I.	

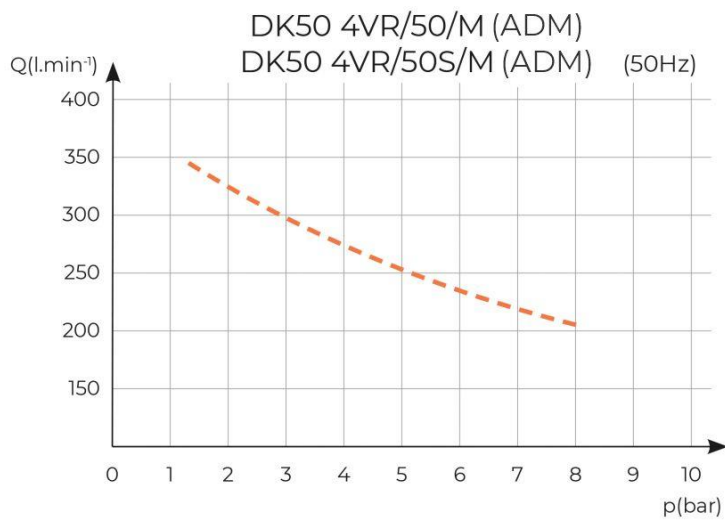
^{a)} Bei Bestellung die Kompressorversion angeben

^{b)} Für andere Druckbereiche kontaktieren Sie den Lieferanten

^{c)} Das Gewicht ist vorläufig und gilt nur für das Produkt ohne Zubehörteile

^{d)} Gilt für Umgebungstemperaturen mit einem DTP von unter 30 °C (DTP = Drucktaupunkt)

Abhängigkeit von Kompressorkapazität und Arbeitsdruck



Arbeitsdruck 6 – 8 bar		DK50 4VR/50/M	DK50 4VR/50 S/M
Nennspannung, Frequenz ^{a)}	V, Hz	3x400, 50/60	3x400, 50
Kapazität bei 6 bar (FAD)	l/min	225	225
Arbeitsdruck ^{b)}	bar	6,0 – 8,0	6,0 – 8,0
Nennstrom	A	5,4	5,8
Motorleistung	kW	2.2	2.2
Volumen Drucklufttank	l	50	50
Luftqualität – Filterung	µm	-	-
Max. Betriebsdruck des Sicherheitsventils	bar	9,0	9,0
Geräuschpegel bei 5 bar (L _{pA})	dB	≤ 73,5	≤ 56,0
Betriebsmodus	%	S1-100	S1-100
DTP-Trocknungsleistung bei 7 bar ^{d)}	°C	≤ -40	≤ -40
Alarm niedriger Druck im Trockner	bar	< 3	< 3
Alarm hoher Druck im Trockner	bar	> 9	> 9
Alarm hoher Taupunkt im Trockner	°C	> -40	> -40
Zeit, den Druckluftspeicher von 0 bis 7 bar zu füllen	s	90	90
Abmessungen (netto) L x B x H	mm	580x590x815	750x780x1015
Nettogewicht ^{c)}	kg	95	151
Klassifizierung unter EN 60601-1		Klasse I.	

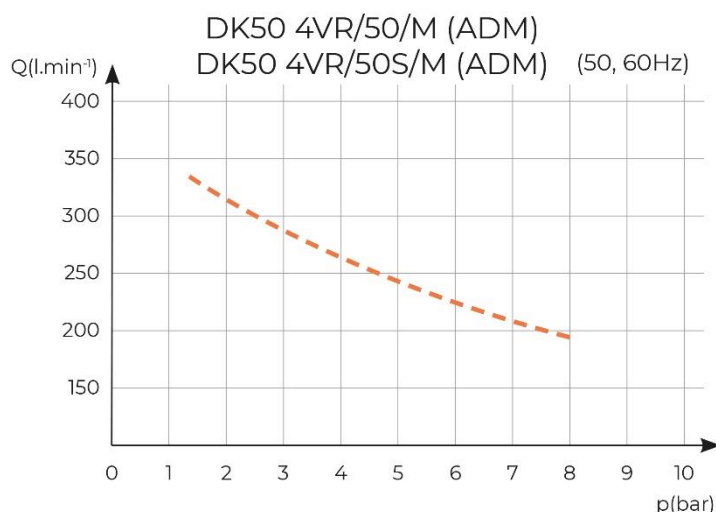
^{a)} Bei Bestellung die Kompressorversion angeben

^{b)} Für andere Druckbereiche kontaktieren Sie den Lieferanten

^{c)} Das Gewicht ist vorläufig und gilt nur für das Produkt ohne Zubehörteile

^{d)} Gilt für Umgebungstemperaturen mit einem DTP von unter 30 °C (DTP = Drucktaupunkt)

Abhängigkeit von Kompressorkapazität und Arbeitsdruck



Arbeitsdruck 8 – 10 bar		DK50 4VR/50/M	DK50 4VR/50 S/M
Nennspannung, Frequenz ^{a)}	V, Hz	3x400, 50	3x400, 50
Kapazität bei 8 bar (FAD)	l/min	195	195
Arbeitsdruck ^{b)}	bar	8,0 – 10,0	8,0 – 10,0
Nennstrom	A	5,4	5,9
Motorleistung	kW	2.2	2.2
Volumen Drucklufttank	l	50	50
Luftqualität – Filterung	µm	-	-
Max. Betriebsdruck des Sicherheitsventils	bar	12,0	12,0
Geräuschpegel bei 5 bar (L _{pA})	dB	≤ 73,5	≤ 56,0
Betriebsmodus	%	S1-100	S1-100
DTP-Trocknungsleistung bei 7 bar ^{d)}	°C	≤ -20	≤ -20
Alarm niedriger Druck im Trockner	bar	< 3	< 3
Alarm hoher Druck im Trockner	bar	> 11	> 11
Alarm hoher Taupunkt im Trockner	°C	> -20	> -20
Zeit, den Druckluftspeicher von 0 bis 7 bar zu füllen	s	105	105
Abmessungen (netto) L x B x H	mm	580x590x815	750x780x1015
Nettogewicht ^{c)}	kg	95	151
Klassifizierung unter EN 60601-1		Klasse I.	

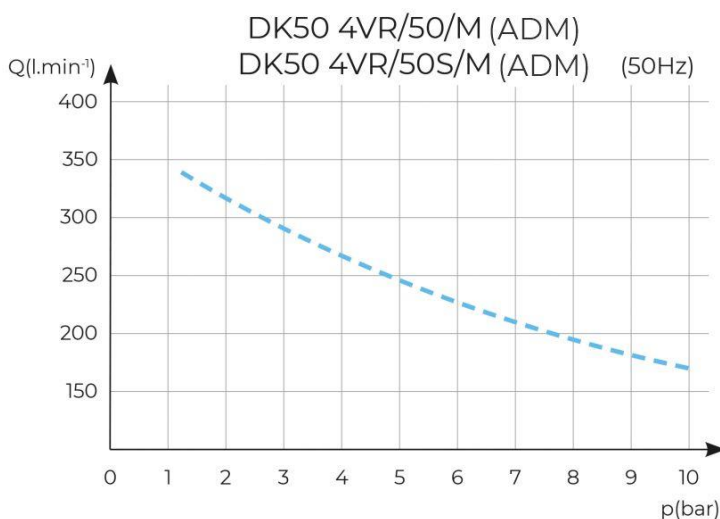
a) Bei Bestellung die Kompressorversion angeben

b) Für andere Druckbereiche kontaktieren Sie den Lieferanten

c) Das Gewicht ist vorläufig und gilt nur für das Produkt ohne Zubehörteile

d) Gilt für Umgebungstemperaturen mit einem DTP von unter 30 °C (DTP = Drucktaupunkt)

Abhängigkeit von Kompressorkapazität und Arbeitsdruck



Arbeitsdruck 8 – 10 bar		DK50 4VR/50/M	DK50 4VR/50 S/M
Nennspannung, Frequenz ^{a)}	V, Hz	3x400, 50	3x400, 50
Kapazität bei 8 bar (FAD)	l/min	190	190
Arbeitsdruck ^{b)}	bar	8,0 – 10,0	8,0 – 10,0
Nennstrom	A	5,4	5,9
Motorleistung	kW	2.2	2.2
Volumen Drucklufttank	l	50	50
Luftqualität – Filterung	µm	-	-
Max. Betriebsdruck des Sicherheitsventils	bar	12,0	12,0
Geräuschpegel bei 5 bar (L _{pA})	dB	≤ 73,5	≤ 56,0
Betriebsmodus	%	S1-100	S1-100
DTP-Trocknungsleistung bei 7 bar ^{d)}	°C	≤ -40	≤ -40
Alarm niedriger Druck im Trockner	bar	< 3	< 3
Alarm hoher Druck im Trockner	bar	> 11	> 11
Alarm hoher Taupunkt im Trockner	°C	> -40	> -40
Zeit, den Druckluftspeicher von 0 bis 7 bar zu füllen	s	105	105
Abmessungen (netto) L x B x H	mm	580x590x815	750x780x1015
Nettogewicht ^{c)}	kg	95	151
Klassifizierung unter EN 60601-1		Klasse I.	

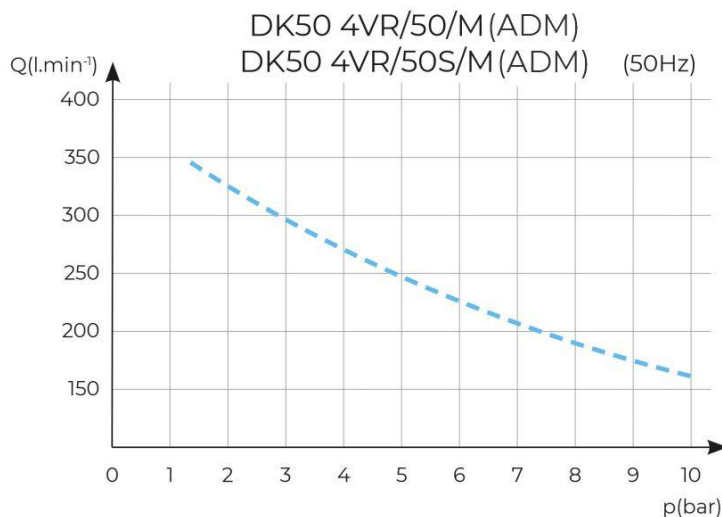
^{a)} Bei Bestellung die Kompressorversion angeben

^{b)} Für andere Druckbereiche kontaktieren Sie den Lieferanten

^{c)} Das Gewicht ist vorläufig und gilt nur für das Produkt ohne Zubehörteile

^{d)} Gilt für Umgebungstemperaturen mit einem DTP von unter 30 °C (DTP = Drucktaupunkt)

Abhängigkeit von Kompressorkapazität und Arbeitsdruck



Arbeitsdruck 6 bis 8 bar		DK50 2x4VR/110/M	DK50 2x4VR/110S/M
Nennspannung, Frequenz ^{a)}	V, Hz	3x400V, 50Hz	3x400V, 50Hz
Kapazität bei 6 bar (FAD)	l/min	470	470
Arbeitsdruck ^{b)}	bar	6,0 – 8,0	6,0 – 8,0
Nennstrom	A	10,8	11,2
Motorleistung	kW	2x2.2	2x2.2
Volumen Drucklufttank	l	110	110
Luftqualität – Filterung	µm	-	-
Max. Betriebsdruck des Sicherheitsventils	bar	9,0	9,0
Geräuschpegel bei 5 bar (L _{pA})	dB	≤ 77,5	≤ 62,0
Betriebsmodus	%	S1-100	S1-100
DTP-Trocknungsleistung bei 7 bar ^{d)}	°C	≤ -20	≤ -20
Alarm niedriger Druck im Trockner	bar	< 3	< 3
Alarm hoher Druck im Trockner	bar	> 9	> 9
Alarm hoher Taupunkt im Trockner	°C	> -20	> -20
Zeit, den Druckluftspeicher von 0 bis 7 bar zu füllen	s	95	95
Abmessungen (netto) L x B x H	mm	1085x675x1050	1260x830x1205
Nettogewicht ^{c)}	kg	186	286
Klassifizierung unter EN 60601-1		Klasse I.	

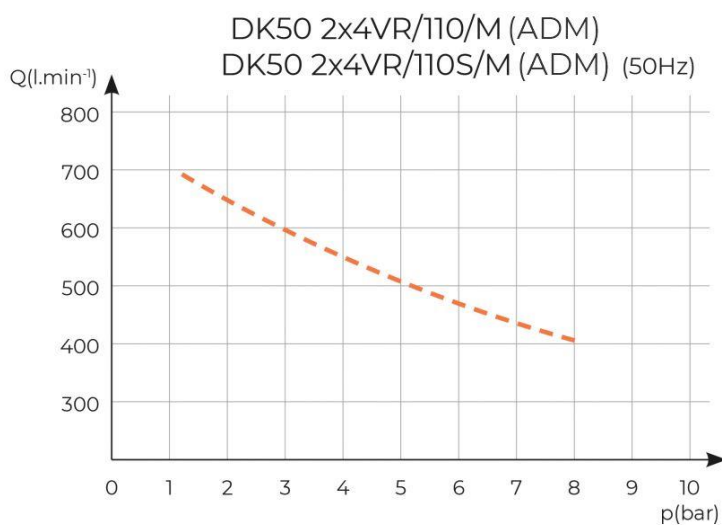
^{a)} Bei Bestellung die Kompressorversion angeben

^{b)} Für andere Druckbereiche kontaktieren Sie den Lieferanten

^{c)} Das Gewicht ist vorläufig und gilt nur für das Produkt ohne Zubehörteile

^{d)} Gilt für Umgebungstemperaturen mit einem DTP von unter 30 °C (DTP = Drucktaupunkt)

Abhängigkeit von Kompressorkapazität und Arbeitsdruck



Arbeitsdruck 6 bis 8 bar		DK50 2x4VR/110/M	DK50 2x4VR/110S/M
Nennspannung, Frequenz ^{a)}	V, Hz	3x400V, 50Hz	3x400V, 50Hz
Kapazität bei 6 bar (FAD)	l/min	450	450
Arbeitsdruck ^{b)}	bar	6,0 – 8,0	6,0 – 8,0
Nennstrom	A	10,8	11,2
Motorleistung	kW	2x2.2	2x2.2
Volumen Drucklufttank	l	110	110
Luftqualität – Filterung	µm	-	-
Max. Betriebsdruck des Sicherheitsventils	bar	9,0	9,0
Geräuschpegel bei 5 bar (L _{pA})	dB	≤ 77,5	≤ 62,0
Betriebsmodus	%	S1-100	S1-100
DTP-Trocknungsleistung bei 7 bar ^{d)}	°C	≤ -40	≤ -40
Alarm niedriger Druck im Trockner	bar	< 3	< 3
Alarm hoher Druck im Trockner	bar	> 9	> 9
Alarm hoher Taupunkt im Trockner	°C	> -40	> -40
Zeit, den Druckluftspeicher von 0 bis 7 bar zu füllen	s	100	100
Abmessungen (netto) L x B x H	mm	1085x675x1050	1260x830x1205
Nettogewicht ^{c)}	kg	186	286
Klassifizierung unter EN 60601-1		Klasse I.	

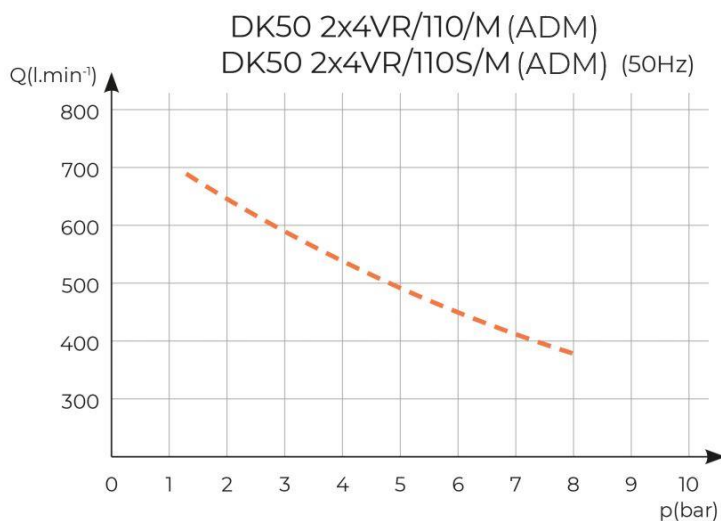
^{a)} Bei Bestellung die Kompressorversion angeben

^{b)} Für andere Druckbereiche kontaktieren Sie den Lieferanten

^{c)} Das Gewicht ist vorläufig und gilt nur für das Produkt ohne Zubehörteile

^{d)} Gilt für Umgebungstemperaturen mit einem DTP von unter 30 °C (DTP = Drucktaupunkt)

Abhängigkeit von Kompressorkapazität und Arbeitsdruck



Arbeitsdruck 8 bis 10 bar		DK50 2x4VR/110/M	DK50 2x4VR/110S/M
Nennspannung, Frequenz ^{a)}	V, Hz	3x400V, 50Hz	3x400V, 50Hz
Kapazität bei 8 bar (FAD)	l/min	395	395
Arbeitsdruck ^{b)}	bar	8,0 – 10,0	8,0 – 10,0
Nennstrom	A	10,3	10,8
Motorleistung	kW	2x2.2	2x2.2
Volumen Drucklufttank	l	110	110
Luftqualität – Filterung	µm	-	-
Max. Betriebsdruck des Sicherheitsventils	bar	12,0	12,0
Geräuschpegel bei 5 bar (L _{pA})	dB	≤ 77,5	≤ 62,0
Betriebsmodus	%	S1-100	S1-100
DTP-Trocknungsleistung bei 7 bar ^{d)}	°C	≤ -20	≤ -20
Alarm niedriger Druck im Trockner	bar	< 3	< 3
Alarm hoher Druck im Trockner	bar	> 11	> 11
Alarm hoher Taupunkt im Trockner	°C	> -20	> -20
Zeit, den Druckluftspeicher von 0 bis 7 bar zu füllen	s	115	115
Abmessungen (netto) L x B x H	mm	1085x675x1050	1260x830x1205
Nettogewicht ^{c)}	kg	186	286
Klassifizierung unter EN 60601-1		Klasse I.	

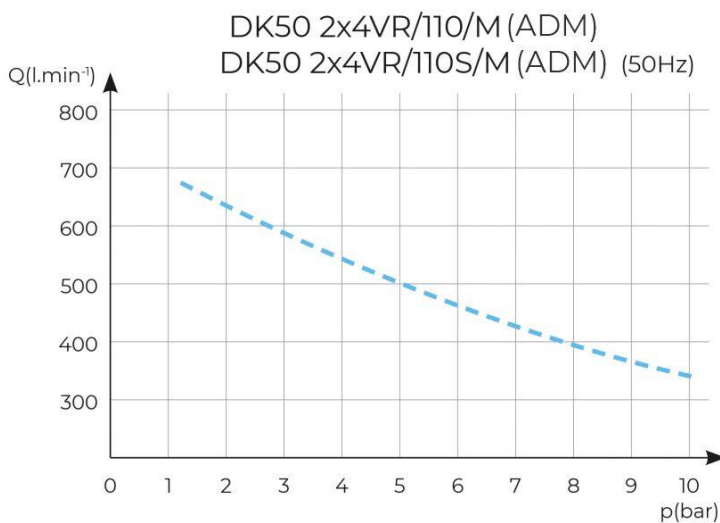
^{a)} Bei Bestellung die Kompressorversion angeben

^{b)} Für andere Druckbereiche kontaktieren Sie den Lieferanten

^{c)} Das Gewicht ist vorläufig und gilt nur für das Produkt ohne Zubehörteile

^{d)} Gilt für Umgebungstemperaturen mit einem DTP von unter 30 °C (DTP = Drucktaupunkt)

Abhängigkeit von Kompressorkapazität und Arbeitsdruck



Arbeitsdruck 8 bis 10 bar		DK50 2x4VR/110/M	DK50 2x4VR/110S/M
Nennspannung, Frequenz ^{a)}	V, Hz	3x400V, 50Hz	3x400V, 50Hz
Kapazität bei 8 bar (FAD)	l/min	380	380
Arbeitsdruck ^{b)}	bar	8,0 – 10,0	8,0 – 10,0
Nennstrom	A	10,3	10,8
Motorleistung	kW	2x2.2	2x2.2
Volumen Drucklufttank	l	110	110
Luftqualität – Filterung	µm	-	-
Max. Betriebsdruck des Sicherheitsventils	bar	12,0	12,0
Geräuschpegel bei 5 bar (L _{pA})	dB	≤ 77,5	≤ 62,0
Betriebsmodus	%	S1-100	S1-100
DTP-Trocknungsleistung bei 7 bar ^{d)}	°C	≤ -40	≤ -40
Alarm niedriger Druck im Trockner	bar	< 3	< 3
Alarm hoher Druck im Trockner	bar	> 11	> 11
Alarm hoher Taupunkt im Trockner	°C	> -40	> -40
Zeit, den Druckluftspeicher von 0 bis 7 bar zu füllen	s	120	120
Abmessungen (netto) L x B x H	mm	1085x675x1050	1260x830x1205
Nettogewicht ^{c)}	kg	186	286
Klassifizierung unter EN 60601-1		Klasse I.	

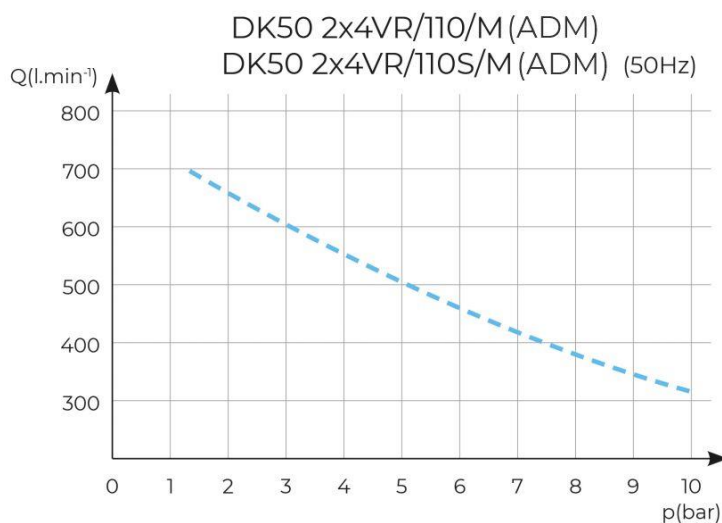
^{a)} Bei Bestellung die Kompressorversion angeben

^{b)} Für andere Druckbereiche kontaktieren Sie den Lieferanten

^{c)} Das Gewicht ist vorläufig und gilt nur für das Produkt ohne Zubehörteile

^{d)} Gilt für Umgebungstemperaturen mit einem DTP von unter 30 °C (DTP = Drucktaupunkt)

Abhängigkeit von Kompressorkapazität und Arbeitsdruck



FAD-Kapazitätskorrektur für Höhenlagen

Die Kapazität in Form von FAD („Free Air Delivery“ = Volumenstrom bzw. Liefermenge) gilt für die folgenden Bedingungen:

Höhenlage	0 m ü. M.	Temperatur	20 °C
Umgebungsdruck	101325 Pa	Relative Feuchtigkeit	0 %

Um die FAD-Kompressorkapazität in Abhängigkeit von der Höhenlage zu berechnen, muss der Korrekturfaktor gemäß der folgenden Tabelle angewendet werden:

Höhenlage [m ü. M.]	0 bis 1.500	1.501 bis 2.500	2.501 bis 3.500	3.501 bis 4.500
FAD-Korrekturfaktor	1	0,80	0,71	0,60

Konformitätserklärung für elektromagnetische verträglichkeit

Medizinische Geräte erfordern spezielle Vorsichtsmaßnahmen in Bezug auf elektromagnetische Verträglichkeit (EMV) und müssen entsprechend den nachfolgenden EMV-Angaben installiert und verwendet werden.


Anleitung und Herstellererklärung – elektromagnetische Emissionen		
Gemäß IEC 60601-1-2:2014/AMD1:2020 - Medizinische elektrische Geräte - Teil 1-2: Allgemeine Festlegungen für die Sicherheit einschließlich der wesentlichen Leistungsmerkmale – Ergänzungsnorm: Elektromagnetische Störgrößen - Anforderungen und Prüfungen		
Das Gerät ist für die Verwendung in der nachfolgend beschriebenen elektromagnetischen Umgebung bestimmt: Der Kunde oder Benutzer des Geräts sollte sicherstellen, dass sie in einer derartigen Umgebung zum Einsatz kommt.		
Emissionsprüfung	Compliance	Elektromagnetische Umgebung – Anleitung
HF-Emissionen CISPR 11	Gruppe 1	Das Gerät verwendet HF-Energie nur für seine internen Funktionen. Deshalb sind die HF-Emissionen sehr niedrig, und es ist unwahrscheinlich, dass sie Störungen mit elektronischen Geräten in der Nähe verursachen. Das Gerät ist zur Verwendung in allen Einrichtungen geeignet, einschließlich in häuslichen Einrichtungen und solchen, die direkt an das öffentliche Niederspannungsversorgungsnetzwerk angeschlossen sind, das Gebäude für Wohnzwecke versorgt.
HF-Emissionen CISPR 11	Klasse B	
Oberwellenemissionen IEC 61000-3-2	Klasse A	
Spannungsschwankungen/ Flicker IEC 61000-3-3	Es ist unwahrscheinlich, dass das Gerät Flackern verursacht, da der Stromfluss nach dem Einschalten ziemlich konstant ist.	

Anleitung und Herstellererklärung – elektromagnetische Immunität			
Gemäß IEC 60601-1-2:2014/AMD1:2020 - Medizinische elektrische Geräte - Teil 1-2: Allgemeine Festlegungen für die Sicherheit einschließlich der wesentlichen Leistungsmerkmale – Ergänzungsnorm: Elektromagnetische Störgrößen - Anforderungen und Prüfungen			
Das Gerät ist für die Verwendung in der nachfolgend beschriebenen elektromagnetischen Umgebung bestimmt: Der Kunde oder Benutzer des Geräts sollte sicherstellen, dass sie in einer derartigen Umgebung zum Einsatz kommt.			
Immunitätsprüfung	IEC 60601-1-2 Teststufe	Compliance-Stufe	Elektromagnetische Umgebung – Anleitung
Elektrostatische Entladung (ESD) IEC 61000-4-2	±8 kV Kontakt ±15 kV Luft	±8 kV Kontakt ±15 kV Luft	Böden sollten aus Holz, Beton oder Keramikfliesen sein. Wenn Böden mit synthetischen Materialien ausgelegt sind, sollte die relative Feuchtigkeit mindestens 30 % betragen.
Elektrische Störgrößen/Burst IEC 61000-4-4	±2 kV für Netzstromleitungen ±1 kV für Eingangs-/Ausgangsleitungen	±2 kV 100 kHz Wiederholfrequenz Angewandt für Netzanschluss	Die Netzstromqualität sollte die einer typischen Gewerbe- oder Krankenhausumgebung sein.
Überspannung IEC 61000-4-5	±1 kV Differenzmodus ±2 kV Gleichtakt	±1 kV L-N ±2 kV L-PE; N-PE Angewandt für Netzanschluss	Die Netzstromqualität sollte die einer typischen Gewerbe- oder Krankenhausumgebung sein.
Spannungseinbrüche, kurze Unterbrechung und Spannungsabweichungen bei Netzstrom-Eingangsleitungen IEC 60601-4-11	$U_T = 0 \%$, 0,5 Zyklus (bei 0, 45, 90, 135, 180, 225, 270 und 315°) $U_T = 0 \%$, 1 Zyklus $U_T = 70 \%$ 25/30 Zyklen (bei 0°) $U_T = 0 \%$ 250/300 Zyklen	$U_T = > 95 \%$, 0,5 Zyklus (bei 0, 45, 90, 135, 180, 225, 270 und 315°) $U_T = > 95 \%$, 1 Zyklus $U_T = 70 \%$ (30 % Einbruch U_T), 25(50Hz)/30(60Hz) Zyklen (bei 0°) $U_T = > 95 \%$, 250(50Hz)/300(60Hz) Zyklus	Die Netzstromqualität sollte die einer typischen Gewerbe- oder Krankenhausumgebung sein. Das Gerät stoppt und startet automatisch bei jedem Einbruch. In diesem Fall tritt kein nicht akzeptabler Druckabfall auf.
Netzfrequenz (50/60 Hz) IEC 61000-4-8	30 A/m	30 A/m	Magnetfelder der Netzfrequenz sollten den typischen Werten eines typischen Standorts in einer typischen Gewerbe- oder Krankenhausumgebung entsprechen.
Abgestrahlte Felder in unmittelbarer Nähe gemäß IEC 61000-4-39	30 A/m	30 A/m	Magnetfelder der Netzfrequenz sollten den typischen Werten eines typischen Standorts in einer typischen Gewerbe- oder Krankenhausumgebung entsprechen.
HINWEIS: U_T ist die Wechselstromspannung vor der Anwendung der Teststufe.			

Anleitung und Herstellererklärung – elektromagnetische Immunität

Gemäß IEC 60601-1-2:2014/AMD1:2020 - Medizinische elektrische Geräte - Teil 1-2: Allgemeine Festlegungen für die Sicherheit einschließlich der wesentlichen Leistungsmerkmale – Ergänzungsnorm: Elektromagnetische Störgrößen - Anforderungen und Prüfungen

Das Gerät ist für die Verwendung in der nachfolgend beschriebenen elektromagnetischen Umgebung bestimmt: Der Kunde oder Benutzer des Geräts sollte sicherstellen, dass sie in einer derartigen Umgebung zum Einsatz kommt.

Immunitätsprüfung	IEC 60601-1-2 Teststufe	Compliance-Stufe	Elektromagnetische Umgebung – Anleitung
Geleitete HF IEC 61000-4-6	3 Vrms 150 kHz bis 80MHz	3 Vrms	<p>Tragbare und mobile HF-Kommunikationsgeräte sollten nicht näher an einem Teil des Geräts, einschließlich Kabeln, sein, als der empfohlene Trennabstand, der aus der jeweiligen Gleichung für die Frequenz des Senders berechnet wird.</p> <p>Empfohlener Trennabstand</p> $d=1,2\sqrt{P}$ $d=1,2\sqrt{P}, 80 \text{ MHz bis } 800 \text{ MHz}$ $d=2,3\sqrt{P}, 800 \text{ MHz bis } 2,7 \text{ GHz}$ <p>wobei P die maximale Ausgangsnennleistung des Senders in Watt (W) gemäß Hersteller des Senders ist und d den empfohlenen Trennabstand in Metern (m) bezeichnet.</p>
Gestrahlte HF IEC 61000-4-3	3 V/m 80 MHz bis 2,7 GHz	3 V/m	<p>Feldstärken aus feststehenden HF-Sendern, wie durch eine elektromagnetische Standortuntersuchung ^a festgelegt, sollten weniger als die Compliance-Stufe in jedem Frequenzbereich ^b betragen. Interferenz kann in der Nähe von Geräten auftreten, die mit dem folgenden Symbol gekennzeichnet sind:</p>
Abstand von HF-Drahtloskommunikationsgeräten IEC 61000-4-3	9 bis 28 V/m 15 spezifische Frequenzen (380 bis 5800 MHz)	9 bis 28 V/m 15 spezifische Frequenzen (380 bis 5800 MHz)	

HINWEIS 1 Bei 80 MHz und 800 MHz gilt der jeweils höhere Frequenzbereich.

HINWEIS 2 Diese Richtlinien gelten möglicherweise nicht in allen Situationen. Elektromagnetische Ausbreitung wird durch die Absorption und Reflektion von Strukturen, Objekten und Personen beeinflusst.

^a Feldstärken von feststehenden Sendern, z. B. Basisstationen für Funktelefone (mobil/kabellos) und mobiler Landfunk, Amateurfunk, AM- und FM-Radiübertragung und TV-Übertragung können theoretisch nicht mit Genauigkeit prognostiziert werden. Für die Bewertung eines elektromagnetischen Umfeldes aufgrund von feststehenden HF-Sendern sollte eine elektromagnetische Standortüberprüfung in Betracht gezogen werden. Wenn die gemessene Feldstärke an dem Standort, an dem das Gerät verwendet wird, die oben genannte geltende HF-Compliance-Stufe übersteigt, sollte das Gerät beobachtet werden, um den Normalbetrieb zu überprüfen. Wenn ein abnormes Verhalten festgestellt wird, sind möglicherweise zusätzliche Maßnahmen erforderlich, z. B. Neuausrichtung oder Standortwechsel des Geräts.

^b Über den Frequenzbereich von 150 kHz bis 80 MHz sollten die Feldstärken weniger als 3 V/m betragen.

INSTALLATION



Risiko von Installationsfehlern

Der Kompressor darf nur durch einen hierfür qualifizierten Techniker installiert und in Betrieb genommen werden. Dieser ist verpflichtet, professionelles Bedienpersonal bzgl. der Nutzung und Wartung der Gerätschaften zu schulen. Für den Nachweis einer Installations- und Bedienerschulung erfolgt ein Eintrag in das Installationsprotokoll der Gerätschaft. (Siehe Anhang)

10. INSTALLATIONSBEDINGUNGEN

- Der Kompressor darf nur in trockenen, gut belüfteten und staubfreien Umgebungen unter den im Kapitel „Technische Daten“ aufgeführten Bedingungen installiert und verwendet werden.



Beschädigungsgefahr für das Gerät!

Die Gerätschaft darf nicht im Freien oder in sonstigen nassen oder feuchten Umgebungen verwendet werden.



Es besteht Explosionsgefahr!

Es ist verboten, die Gerätschaft in Räumen zu betreiben, in denen sich explosive Gase oder brennbare Flüssigkeiten befinden.



Verbrennungs- oder Brandgefahr! Vorsicht! Heiße Oberfläche!

Teile des Kompressors, Trockners können während des Betriebs heiß werden und gefährliche Temperaturen erreichen, welche die Materialien schädigen oder das Bedienpersonal verletzen können.

- Der Kompressor muss so installiert werden, dass er für die Bedienung und Wartung jederzeit leicht zugänglich ist. Stellen Sie sicher, dass das Typenschild auf dem Gerät leicht lesbar ist.
- Der Kompressor muss auf einer ebenen und ausreichend stabilen Unterlage stehen (bezogen auf das Gewicht des Kompressors ist Vorsicht geboten, siehe Kapitel „Technische Daten“).



Gefahr durch hohe Temperaturen!

Das Anbringen von Luftströmungshindernissen vor und hinter dem Kühler ist unzulässig. Die Temperatur der internen und externen Teile des Kühlers kann hoch sein und gefährliche Werte erreichen.



Wenn Sie das Produkt erstmals einsetzen, stellen Sie möglicherweise (für kurze Zeit) einen Geruch nach „neuem Produkt“ fest. Dieser Geruch ist vorübergehend und beeinträchtigt die normale Nutzung des Produkts nicht. Sorgen Sie dafür, dass der Raum nach der Installation richtig gelüftet wird.

11. ZUSAMMENBAU DES KOMPRESSORS

11.1. Handhabung und Freischalten des Kompressors

- Packen Sie den Kompressor aus.
- Entfernen Sie bei einem Kompressor mit Schrank die an den Schrauben gehaltene Tür, bei den Kompressoren DK50 4VR/50/M die Anschlussleiste (41) im unteren Teil des Schrankes. Entfernen Sie den Schrank vom Kompressor.
- Lösen Sie den Kompressor von der Palette, indem Sie die Befestigungsschrauben entfernen (Abb. 5).
- Positionieren Sie den Kompressor am Installationsort. (Abb. 6)

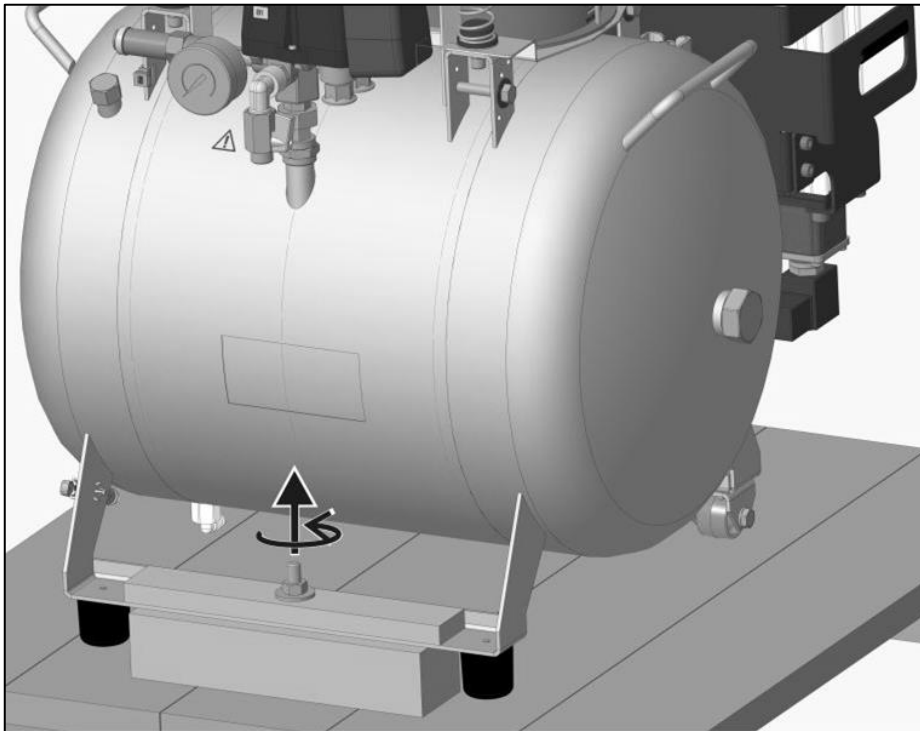


Verwenden Sie die Griffe am Kompressor, um ihn bei Bedarf zu bewegen. Verwenden Sie keine anderen Teile des Kompressors (das Aggregat, den Kühler usw.) als Griff.

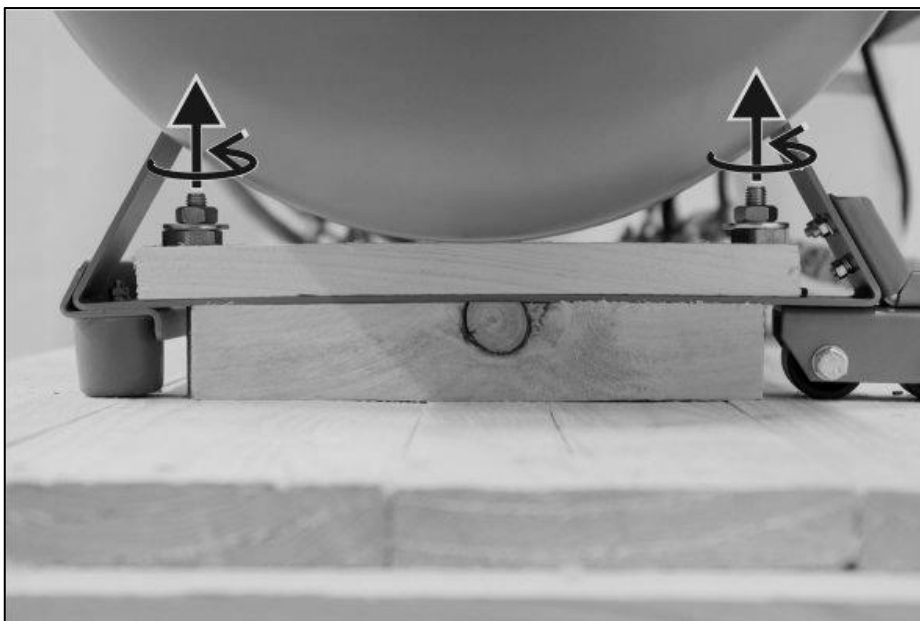


Die Anzahl der Personen, die zum Umgang mit dem Gerät erforderlich sind, muss auf das Gewicht des Geräts abgestimmt sein.

Abb. 5: Entfernen der Transporthalterungen

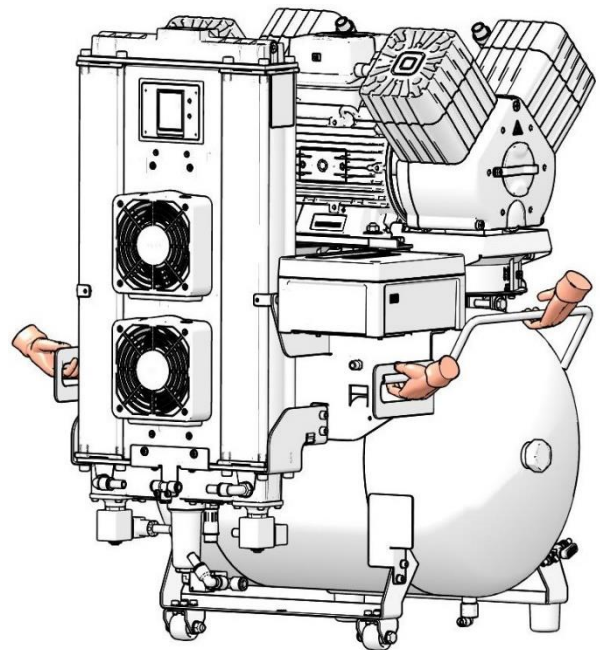
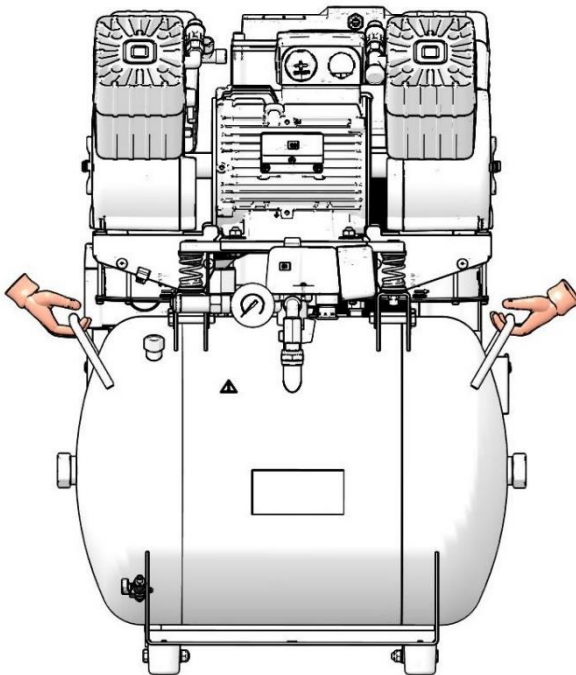
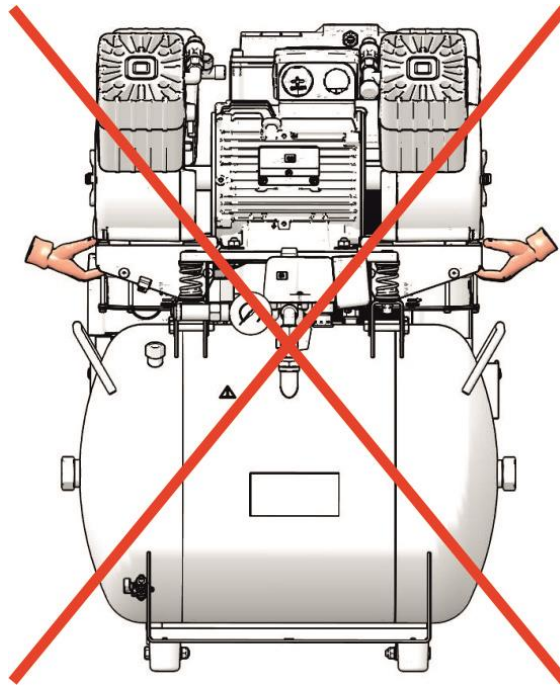


DK50 4VR/50

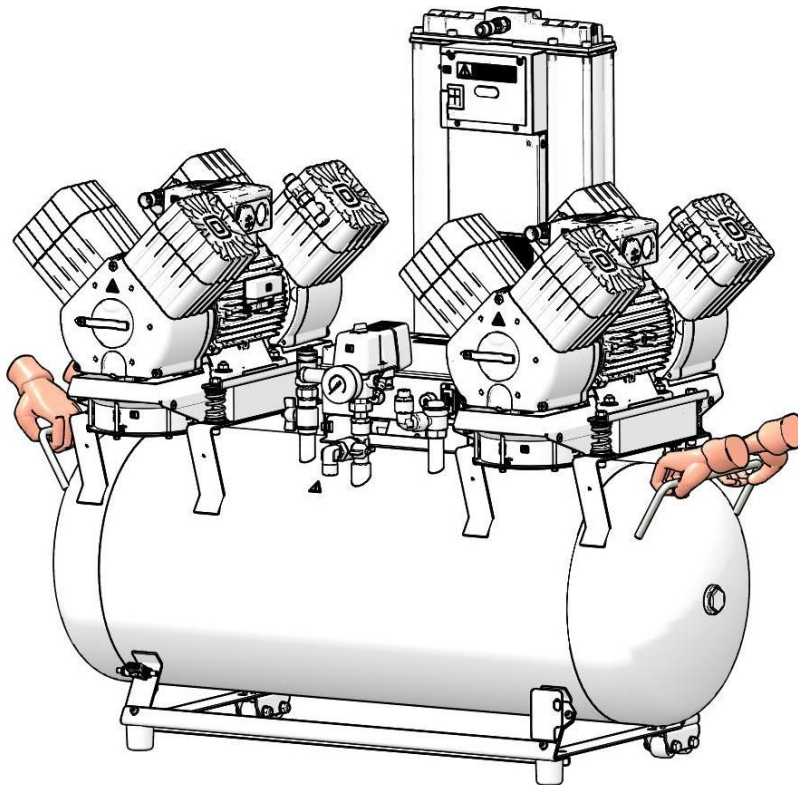
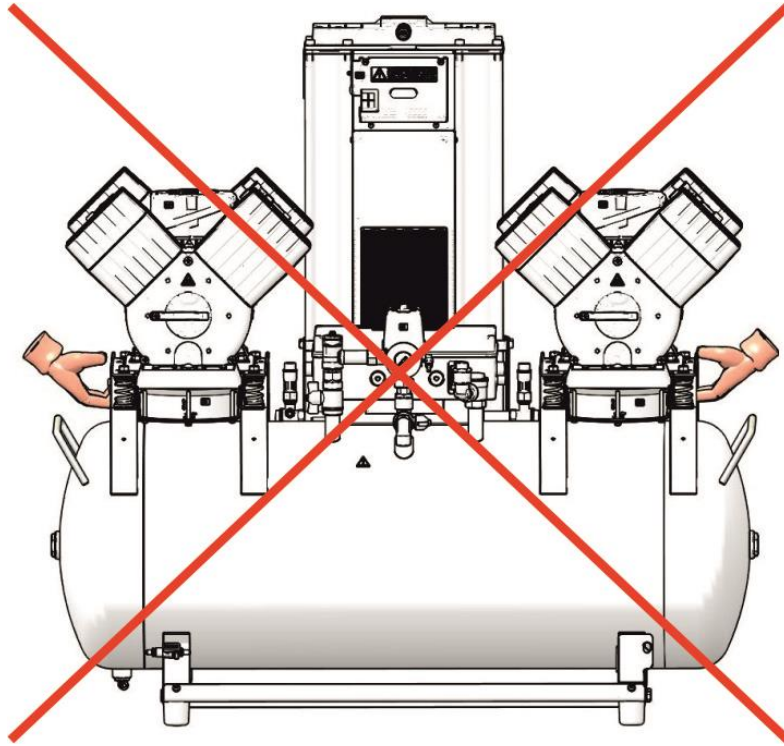


DK50 2x4VR/110

Abb. 6: Handhabung des Kompressors



DK50 4VR/50



DK50 2x4VR/110

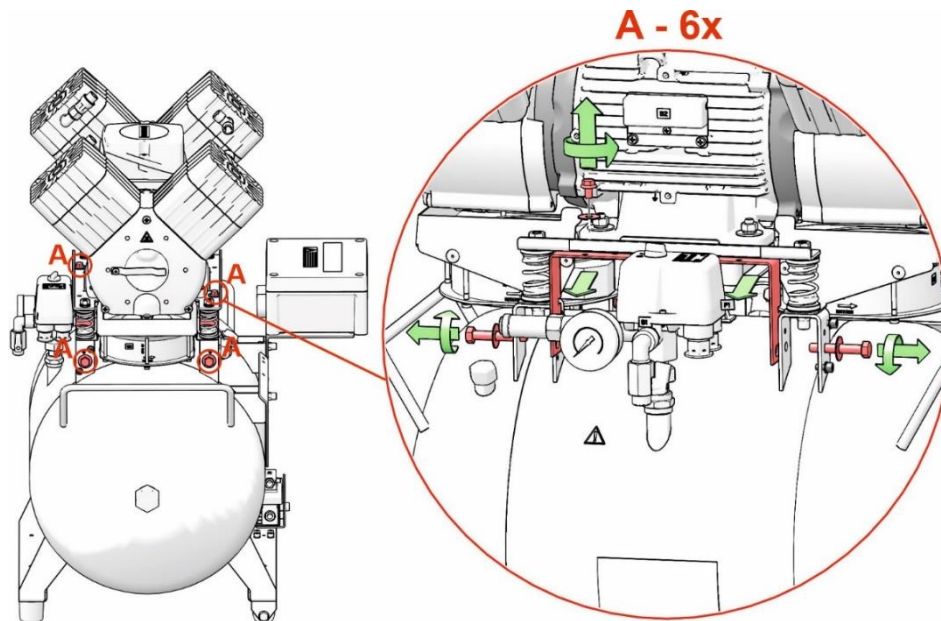
- Entfernen Sie die Halterungen zur Transportsicherung des Aggregats: Entfernen Sie mit einem 10-mm-Schraubenschlüssel die oberen Schrauben und dann mit einem 13-mm-Schraubenschlüssel die unteren seitlichen Schrauben (Abb. 7).



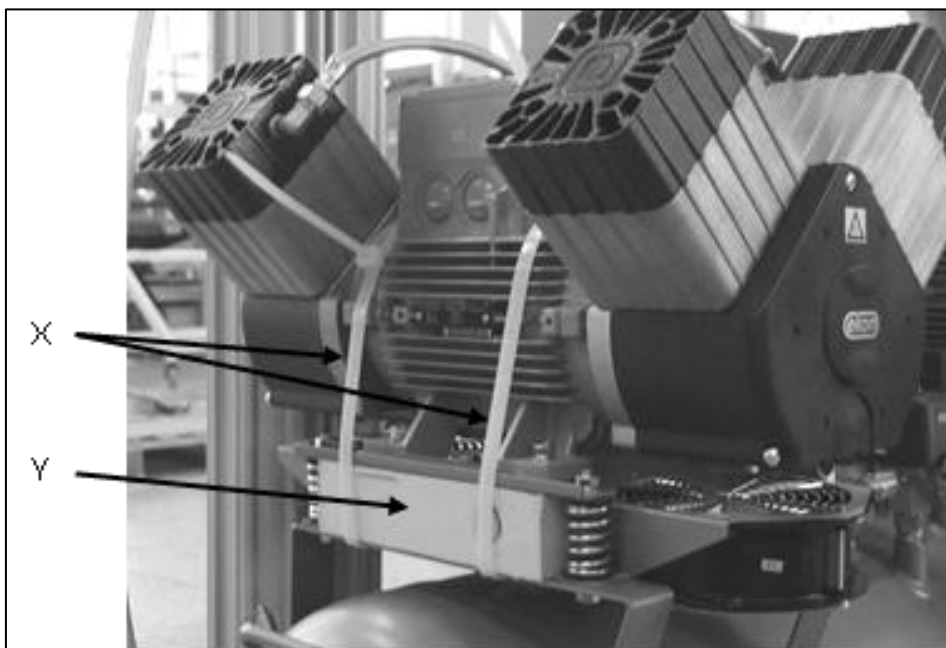
Stellen Sie vor der Installation sicher, dass der Kompressor frei von Verpackungsmaterial und Stabilisatoren ist, um Schäden am Produkt zu vermeiden.

Entfernen Sie alle für die Sicherung der Aggregate verwendeten Komponenten, nachdem der Kompressor am endgültigen Einsatzort installiert und nivelliert wurde.

Abb. 7: Freischalten der Druckluftpumpen



DK50 4VR/50



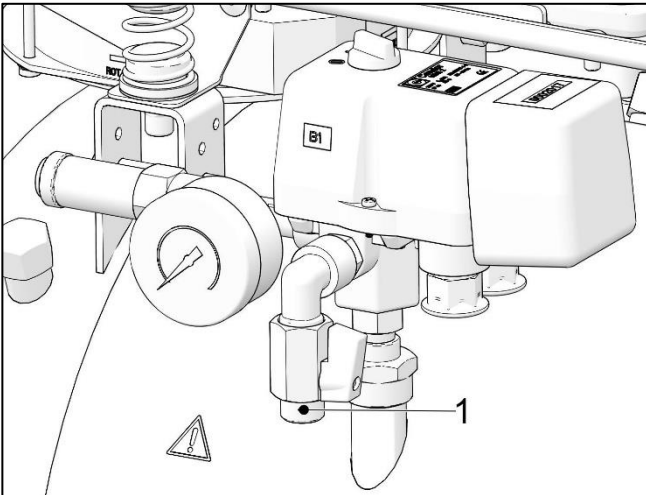
DK50 2x4VR/110

12. PNEUMATISCHER ANSCHLUSS

12.1. Anschluss an den Druckluftausgang

- Führen Sie den Druckluftschlauch vom Druckluftausgang (1) zur angeschlossenen Gerätschaft.
- A-G-3/8" (DK50 4VR/50), G1/2" (DK50 2x4VR/110)-Verbindung ist installiert.
- Führen Sie den Druckschlauch bei Kompressoren mit Schrankmontage durch die Öffnung an der Rückwand des Schrankes.

DK50 4VR/50



DK50 2x4VR/110

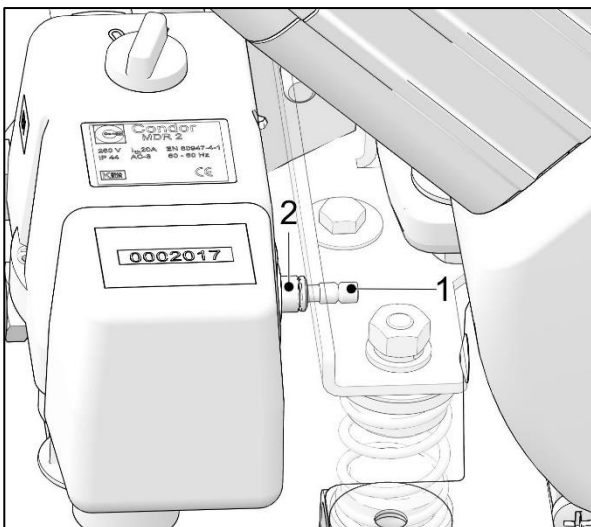


Abb. 8: Anschluss an den Druckluftausgang

12.2. Verbinden des Schrank-Druckmessers mit dem Kompressor

- Entfernen Sie den Stopfen (1) von den Gewinden (2) am Druckluftblock des Kompressors.
- Verbinden Sie den Gehäuse-Druckmesserschlauch mit dem Gewindeanschluss.

DK50 4VR/50



DK50 2x4VR/110

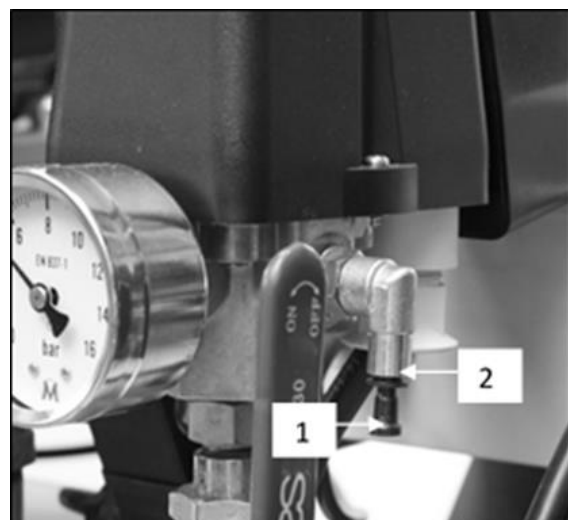


Abb. 9: Verbinden des Gehäuse-Druckmessers mit dem Kompressor

12.3. Kondensatablass vom Trockner

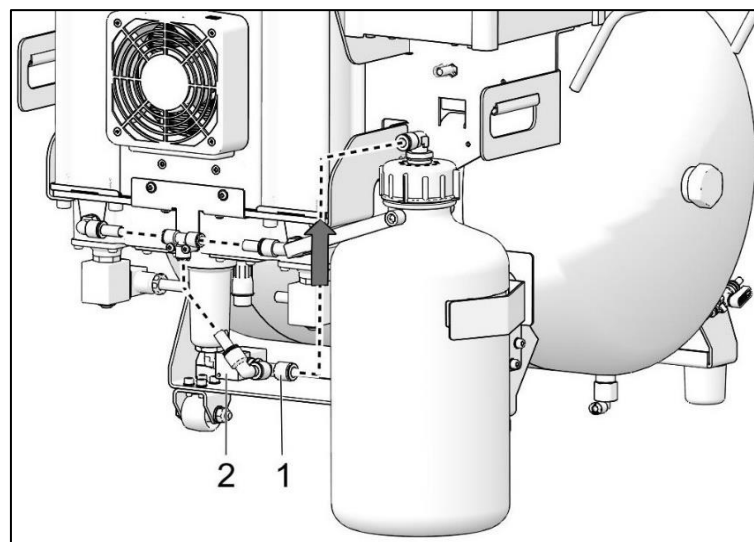


Verletzungsgefahr.

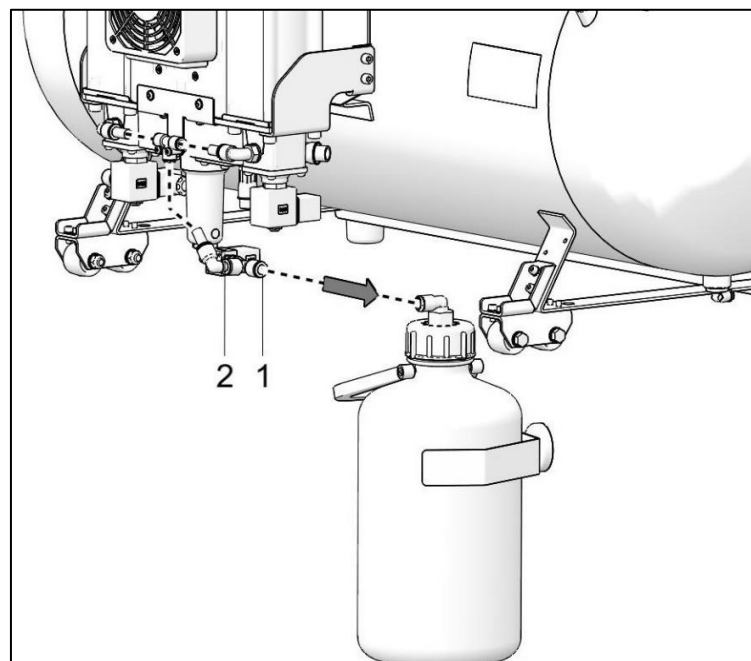
Verbinden Sie den Kondensatablauf nicht direkt mit einem Abfluss! Passanten können verletzt werden!

- Schließen Sie einen Schlauch an Auslass (1) des automatischen Kondensatablaufs (2) an den bereitgestellten Sammelbehälter an.
- Führen Sie bei einem Kompressor in einem Schrank den Schlauch durch die hintere Öffnung im Schrank. Montieren Sie den Kondensatsammelbehälter an der Seiten- oder an der Rückwand des Schrankes.

Abb. 10: Kondensatablauf



DK50 4VR/50/M



DK50 2x4VR/110/M



Beschädigungsgefahr für Pneumatikkomponenten!
Druckluftschläuche müssen unbeschädigt sein.

13. ELEKTRISCHER ANSCHLUSS

- Das Produkt wird mit einem Kabel mit Stecker und Erdungsstift geliefert.
- Führen Sie bei im Gehäuse montierten Kompressoren das Stromkabel durch die Öffnung in der Rückwand des Gehäuses.
- Die Steckdose muss leicht zugänglich sein, damit das Gerät sicher vom Strom getrennt werden kann.
- Der Stromkreis muss im Sicherungskasten max. 16 A haben.



Stromschlaggefahr!

Alle relevanten elektrotechnischen Vorschriften am Aufstellungsort sind einzuhalten. Die Netzspannung und Netzfrequenz müssen mit den Angaben auf dem Geräteetikett übereinstimmen.



Brand- und Stromschlaggefahr!

Stromkabel müssen unbeschädigt sein.



Brand- und Stromschlaggefahr!

Stromkabel dürfen nicht mit heißen Kompressorteilen in Berührung kommen.

- Verbinden Sie den Stift für den Potenzialausgleich 6 Ø mm (1) mit dem Stromkreislauf entsprechend der in den gültigen Vorschriften für elektrische Arbeiten aufgeführten Methode.
- Die Buchse für den Potenzialausgleich (2) ist ein Zubehörteil und nicht im Grundpaket enthalten.



Abb. 11: Potenzialausgleich

- Montieren Sie den Stecker des Erdungsleiters an der Tür und verschrauben Sie ihn am Gehäuse.

Stromversorgung

Versorgungsspannung	Art der elektrischen Leitung
230V/50 (60) Hz	3Gx1.5x4000
400V/50 (60) Hz	5Gx1.5x4000

13.1. Anschließen eines Kompressors ohne Gehäuse

- Stecken Sie den Netzstecker in eine Steckdose mit entsprechender Spannung.
- Der Kompressor ist nun betriebsbereit.

13.2. Anschließen eines Kompressors mit Gehäuse

- Führen Sie bei Kompressoren mit Gehäuse den Netzstecker durch die Öffnung an der Rückwand des Gehäuses. (Abb. 12)

- Schließen Sie den Stromanschluss des Schaltschranks an den Kompressor an, indem Sie den Stecker des mitgelieferten Netzkabels in eine Steckdose stecken. (Abb. 13)
- Unterbrechen Sie die den elektrischen Anschluss zwischen Schaltschrank und Kompressor, indem Sie den Stecker aus der Steckdose ziehen, während die Verriegelung gelöst ist.
- Schließen Sie das Display an der Fronttür des Schrankes an, befestigen Sie dann das Kabel am Display in den Klemmen (1). Befestigen Sie das Kabel für DK50 4VR/50 S/M-Kompressoren in der Klemme (1) in der Schranktür (Abb. 18). Befestigen Sie das Kabel für DK50 2x4VR/110 S/M-Kompressoren in den Klemmen (1) im Schrankgehäuse (Abb. 22).



Abb. 12: Öffnung in der Rückwand des Gehäuses



Abb. 13: Anschließen des Gehäuses an den Kompressor

14. PLATZIERUNG DES KOMPRESSORS IM GEHÄUSE

14.1. DK50 4VR/50 S/M (Abb. 4-A):

Ausbau der Schranktür

- Entfernen Sie die von 2 Schrauben gehaltene Tür und trennen Sie den Displaystecker und den Erdungsdraht.



Vergewissern Sie sich, dass der Displaystecker vor dem Abnehmen der Fronttür entfernt ist, da diese sonst beschädigt werden könnte.

Kompressoreinbau

- Entfernen Sie die Anschlussleiste (41) vor dem Schrank.
- Positionieren Sie den Kompressor in einem Abstand von mindestens 500 mm vom Schrank, um die Bewegung der Schläuche und des Netzkabels im Schrank zu ermöglichen (Abb. 14).

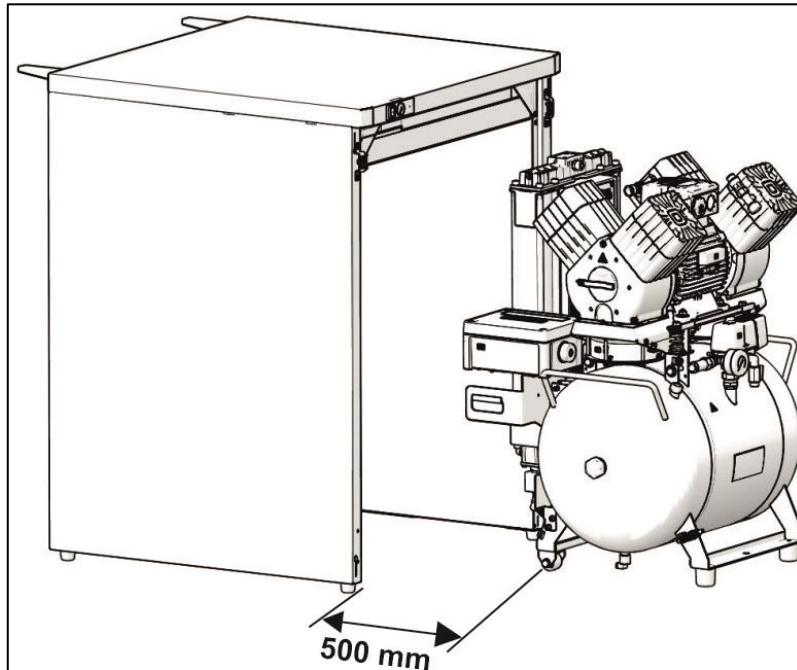


Abb. 14: Positionierung des Kompressors für Anschlüsse

- Stellen Sie die pneumatischen Anschlüsse gemäß Kapitel 12.1 her.
- Schließen Sie den Kondensatsammelbehälter gemäß Kapitel 12.3 her.
- Führen Sie den Druckschlauch, den Kondensatablaufschlauch und das Netzkabel durch die Öffnung in der Schrankrückwand.
- Positionieren Sie den Kompressor in einem solchen Abstand vom Schrank, dass der WINSTA-Stecker die elektrische Verbindung zwischen Kompressor und Schrank herstellen kann (Abb. 13, Abb. 15).

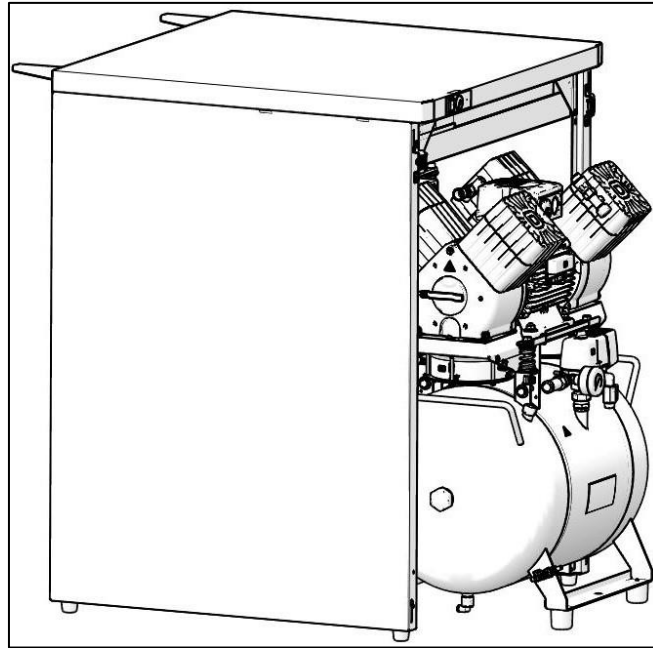


Abb. 15: Positionierung des Kompressors für elektrische Anschlüsse

- Schließen Sie den Kompressor gemäß Kapitel 13 an die Stromversorgung an.
- Setzen Sie den Kompressor mithilfe des Positionierungsrollwagens (35) in das Gehäuse ein, platzieren Sie die Anschlussleiste vor dem Gehäuse und justieren Sie die Position des Kompressors so, dass die beiden „V“-Nuten der Anschlussleiste (41) an den Kompressorfüßen ausgerichtet sind (Abb. 4).
- Überprüfen Sie anhand des Kontrollmaßes (Abb. 16), dass der Kompressor vollständig in den Schrank eingesetzt ist.

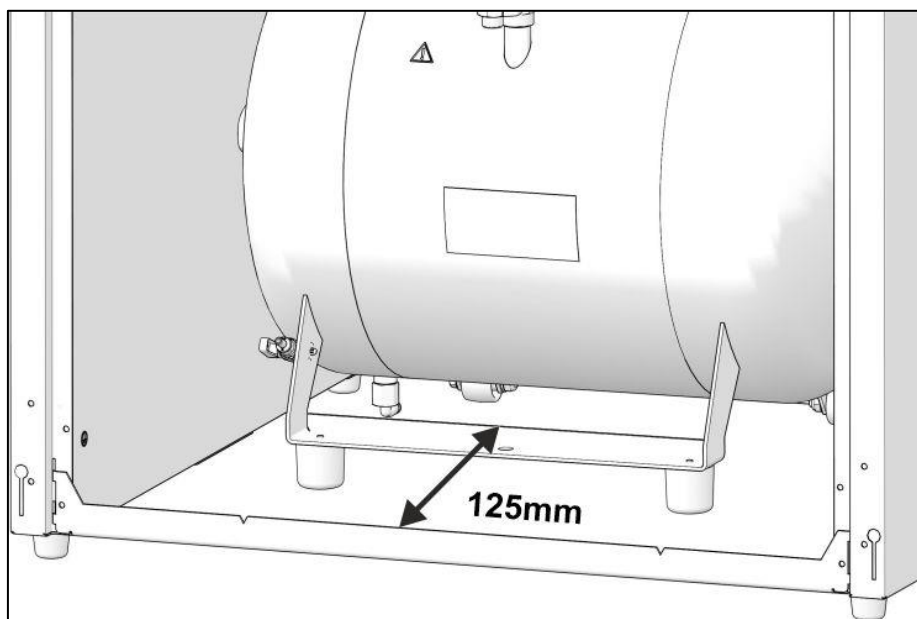


Abb. 16: Positionierung des Kompressors DK50 4VR/50/M im Schaltschrank

- Bringen Sie die Anschlussleiste (41) an ihrer ursprünglichen Position im unteren Gehäusebereich an.
- Verbinden Sie den Gehäuse-Druckmesser gemäß Kapitel 12.2 mit dem Kompressor.



Schieben Sie den Kompressor nicht ganz bis zur Rückseite des Schrankes, da dadurch der Trockner dauerhaft beschädigt werden kann.

Einbau der Schranktür

- Bringen Sie die Tür am Schrank an, schließen Sie den Displaystecker an (Abb. 17) und sichern Sie das Kabel am Display in der Klemme (1) in der Fronttür (Abb. 18).
- Verbinden Sie den Erdungsdraht mit der Tür und bringen Sie die Tür mithilfe von 2 Befestigungselementen am Schrank an.



Abb. 17: Anschließen des Displaysteckers

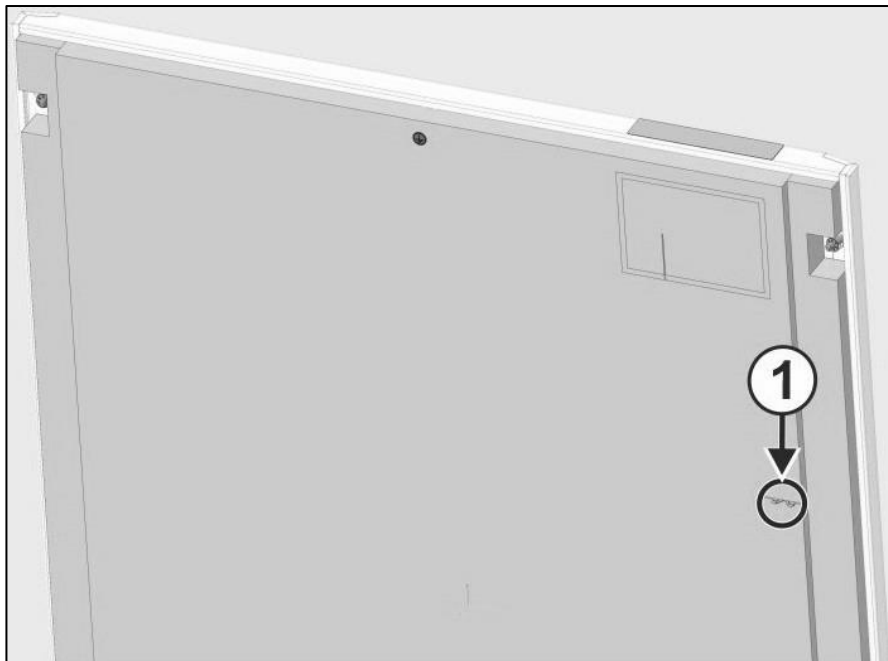


Abb. 18: Schrankklemmen DK50 4VR/50 S/M

14.2. DK50 2x4VR/110S/M (Abb. 4-B):

Öffnen der oberen Abdeckung

- Heben Sie die obere Gehäuseabdeckung an, indem Sie den Griff (42) in die Hand nehmen, sodass die Gasfeder die Abdeckung geöffnet hält.



Achten Sie beim Schließen der Abdeckung am Gehäuse darauf, sich nicht die Finger einzuklemmen.

Verriegeln Sie nach dem Schließen die Abdeckung am Gehäuse stets mit den Schnellverschlüssen.

Entfernen der Vorderabdeckung des Gehäuses

- Entfernen Sie die von 4 M5-Schrauben gehaltene Tür und trennen Sie den Displaystecker und den Erdungsdraht.



Vergewissern Sie sich, dass der Displaystecker vor dem Abnehmen der Fronttür entfernt ist, da diese sonst beschädigt werden könnte.

Kompressoreinbau

- Positionieren Sie den Kompressor in einem Abstand von mindestens 500 mm vom Schrank, um die Bewegung der Schläuche und des Netzkabels im Schrank zu ermöglichen (Abb. 19).

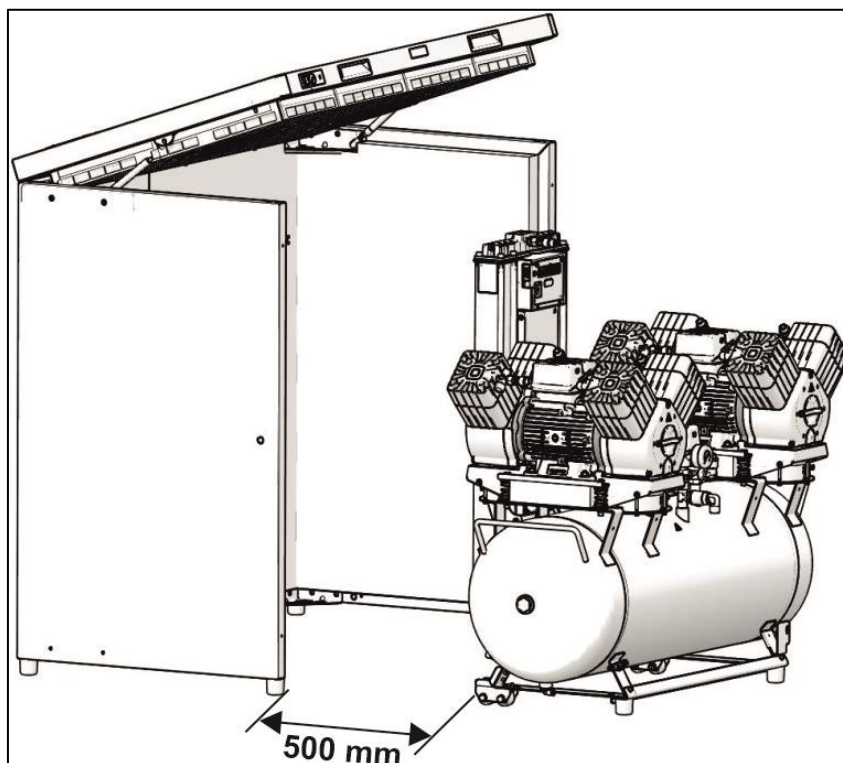


Abb. 19: Positionierung des Kompressors für Anschlüsse

- Stellen Sie die pneumatischen Anschlüsse gemäß Kapitel 12.1 her.
- Schließen Sie den Kondensatsammelbehälter gemäß Kapitel 12.3 her.
- Führen Sie den Druckschlauch, den Kondensatablaufschauch und das Netzkabel durch die Öffnung in der Schrankrückwand.
- Positionieren Sie den Kompressor in einem solchen Abstand vom Schrank, dass der WINSTA-

Stecker die elektrische Verbindung zwischen Kompressor und Schrank herstellen kann (Abb. 13, Abb. 20).

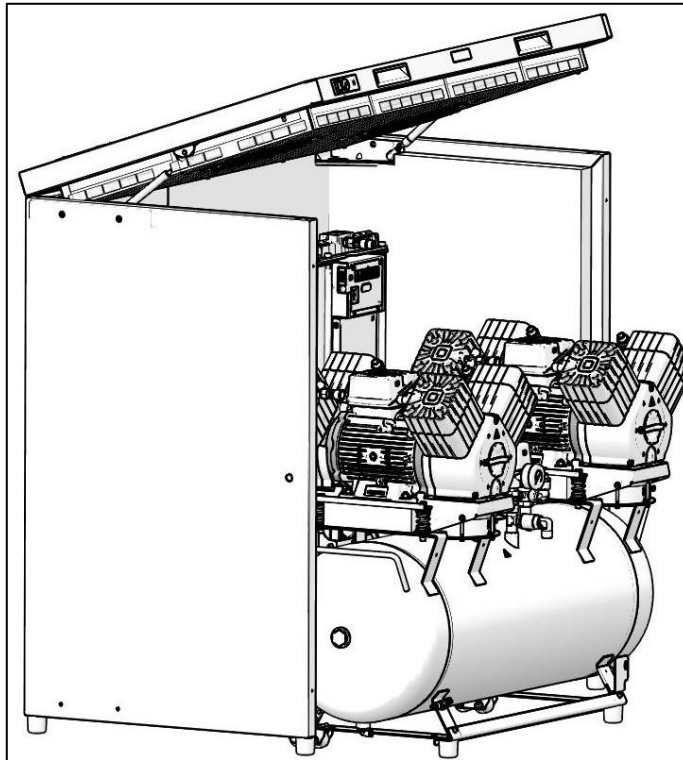


Abb. 20: Positionierung des Kompressors für elektrische Anschlüsse

- Schließen Sie den Kompressor gemäß Kapitel 13 an die Stromversorgung an.
- Setzen Sie den Kompressor mit einem Trockner in den Schrank ein, sodass der Trocknerventilator in die Öffnung des Kühltunnels im Schrank passt. Überprüfen Sie die Positionierung des Kompressors im Schrank anhand Abb. 21.

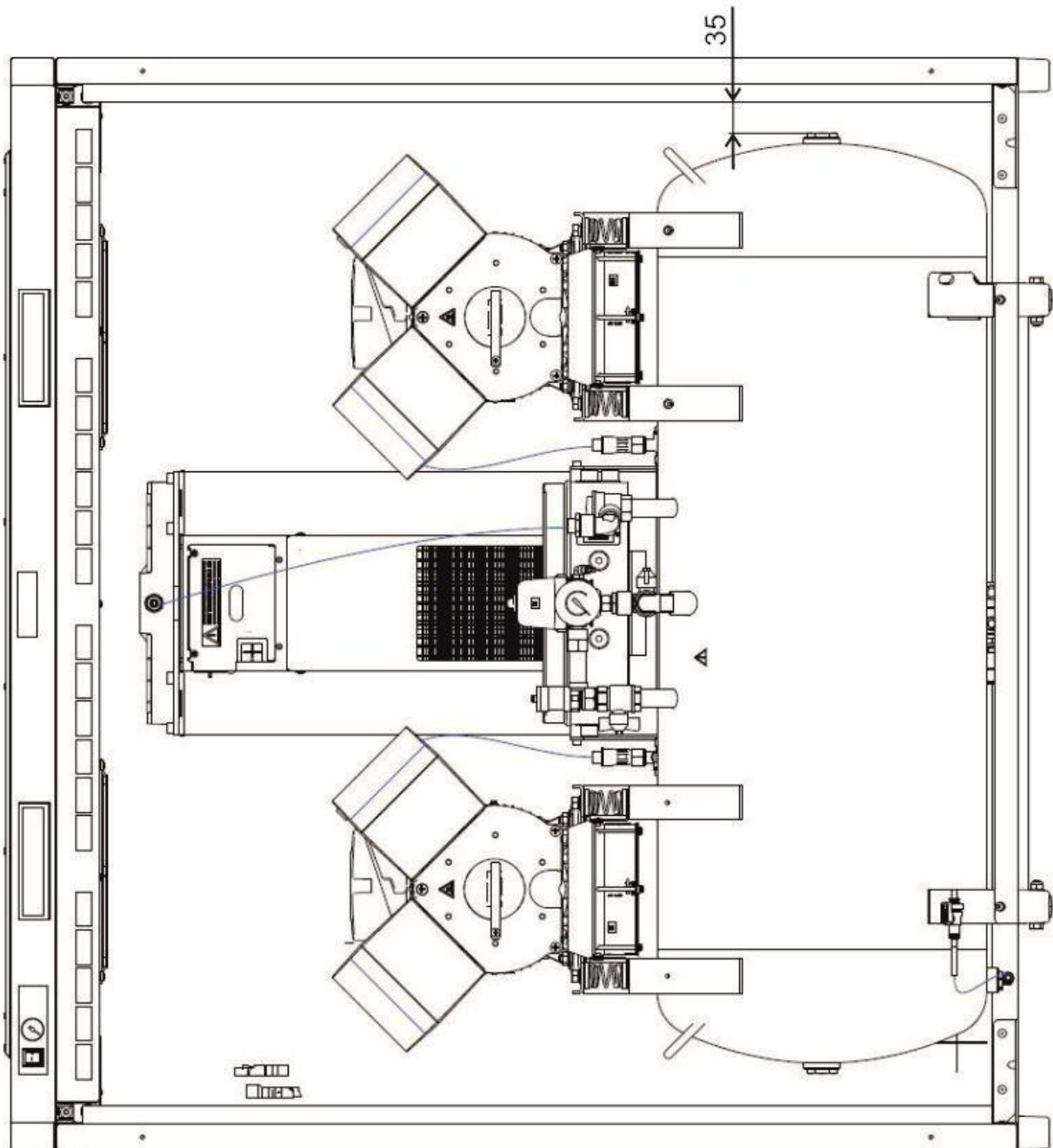


Abb. 21: Platzierung des Kompressors im Gehäuse

- Verbinden Sie den Gehäuse-Druckmesser gemäß Kapitel 12.2 mit dem Kompressor.



Schieben Sie den Kompressor nicht ganz bis zur Rückseite des Schrankes, da dadurch der Trockner dauerhaft beschädigt werden kann.

Installation der Frontabdeckung des Schrankes

- Bringen Sie die Tür am Schrank an, schließen Sie den Displaystecker an (Abb. 17) und sichern Sie das Kabel am Display in der Klemme (1) in der Fronttür (Abb. 22).

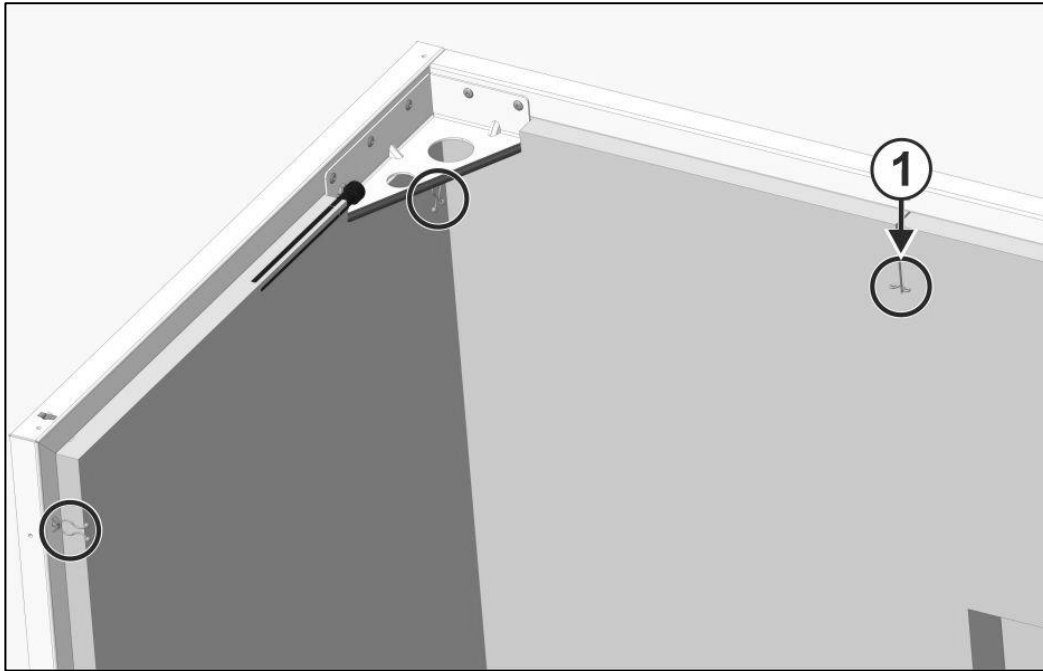


Abb. 22: Schrankklemmen DK50 2x4VR/110 S/M

- Verbinden Sie den Erdungsdraht an der Tür an. Bringen Sie die Tür am Schrank an und befestigen Sie sie mit den 4 Befestigungselementen.

15. INBETRIEBNAHME

- Stellen Sie sicher, dass alle Transporthilfen entfernt wurden.
- Kontrollieren Sie, dass die Anschlüsse aller Druckluftleitungen korrekt sind. (siehe Kapitel 11)
- Überprüfen Sie den korrekten Anschluss an den Netzstrom (siehe Kapitel 12).
- Überprüfen Sie die Position des Trennschalters; dieser muss auf der „I“-Position stehen. Wenn der Hauptschalter (2) auf der Stellung „0“ steht, stellen Sie ihn auf die Stellung „I“. (Abb. 23)
- Drehen Sie bei Kompressoren mit Gehäuseeinbau den Schalter (4) an der Vorderseite des Schrankes auf die „I“-Position; eine grüne Lampe zeigt an, dass die Gerätschaft in Betrieb ist. (Abb. 23)
- Überprüfen Sie die Verbindung des Gehäusesteckers zum Kompressor (Abb. 13).
- Überprüfen Sie den Anschluss des Displaysteckers an der Fronttür des Schrankes.
- Überprüfen Sie die Verbindung des Gehäuse-Manometerschlauchs zum Pneumatikblock des Kompressors (Abb. 9).
- Überprüfen Sie, ob der Schlauch des automatischen Kondensatablaufs an den Sammelbehälter angeschlossen ist. (Abb. 10)
- Sprache am Trocknerdisplay konfigurieren (siehe Kapitel 23.2).
- Datum und Uhrzeit auf dem Trocknerdisplay konfigurieren (siehe Kapitel 20.3).
- Überprüfen Sie die Einstellungen des Trocknungsmodus (siehe Kapitel 20.4).

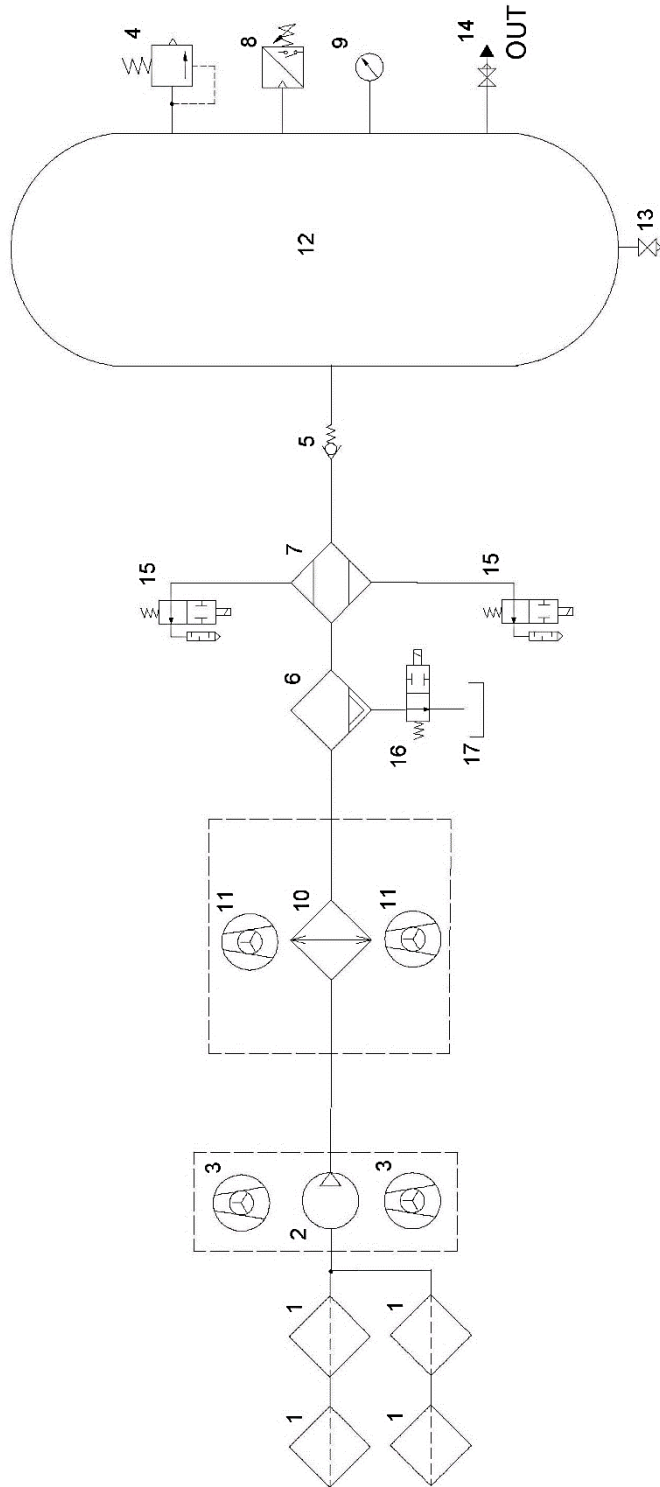


Der Kompressor besitzt keine Reserveenergiequelle.

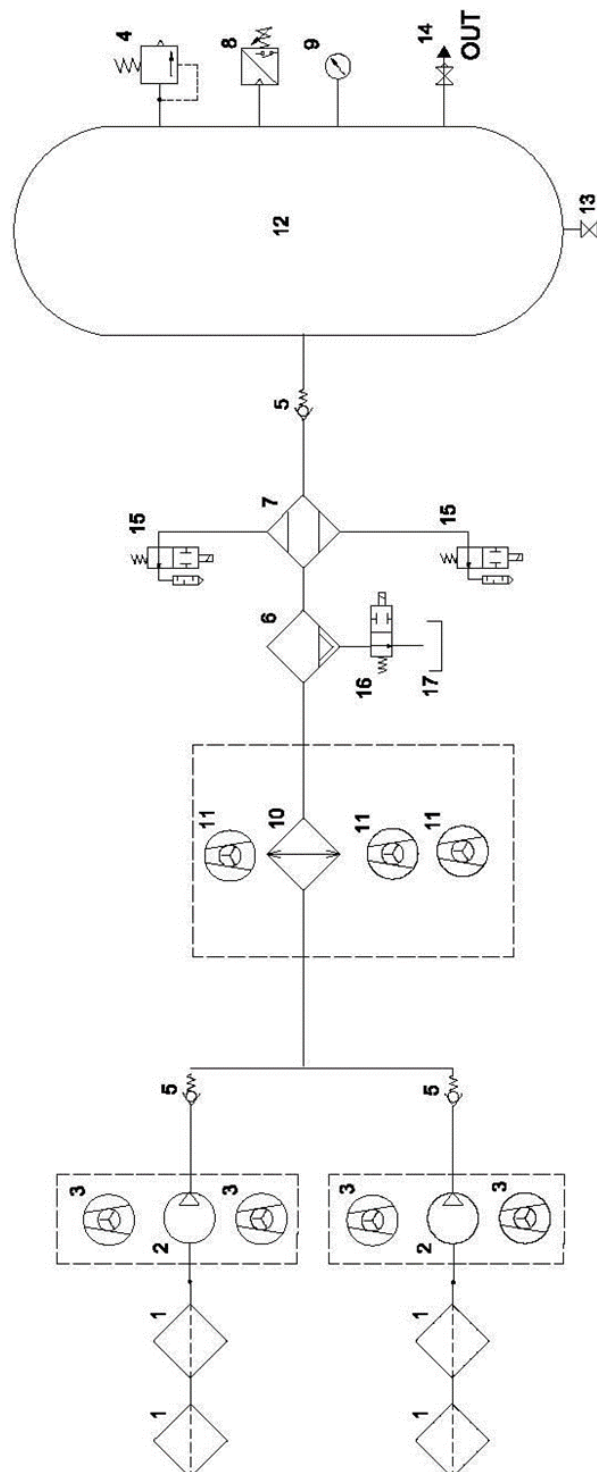
16. DRUCKLUFT- UND ELEKTROSCHALTPLÄNE

16.1. Druckluftplan

DK50 4V/50/M



DK50 2x4VR/110/M



Beschreibung des Druckluftplans:

- | | | | |
|---|---------------------|----|---------------------------|
| 1 | Ansaugfilter | 9 | Manometer |
| 2 | Kompressor | 10 | Kühler |
| 3 | Lüfter | 11 | Kühlerlüfter |
| 4 | Sicherheitsventil | 12 | Druckluftbehälter |
| 5 | Rückschlagventil | 13 | Ablassventil |
| 6 | Kondensatabscheider | 14 | Ausgangsventil |
| 7 | Trockner | 15 | Regenerationsmagnetventil |
| 8 | Druckschalter | 16 | Kondensatablassventil |
| | | 17 | Kondensatauffangbehälter |

16.2. Elektroschaltpläne

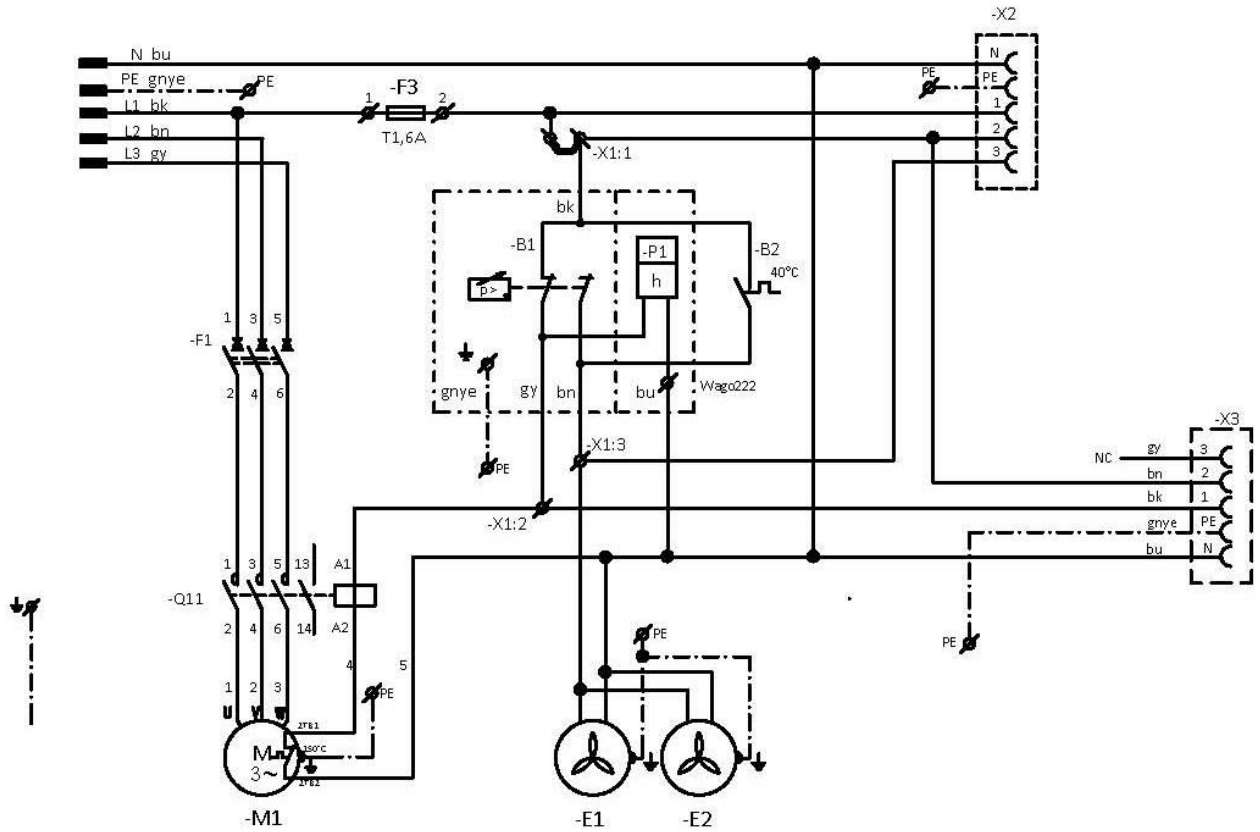
DK50 4VR/50/M

6 - 8 bar

3/N/PE~400V, 50Hz

NETZ TN-S [TN-C-S]

ELEKTRISCHES OBJEKT 1. KAT.



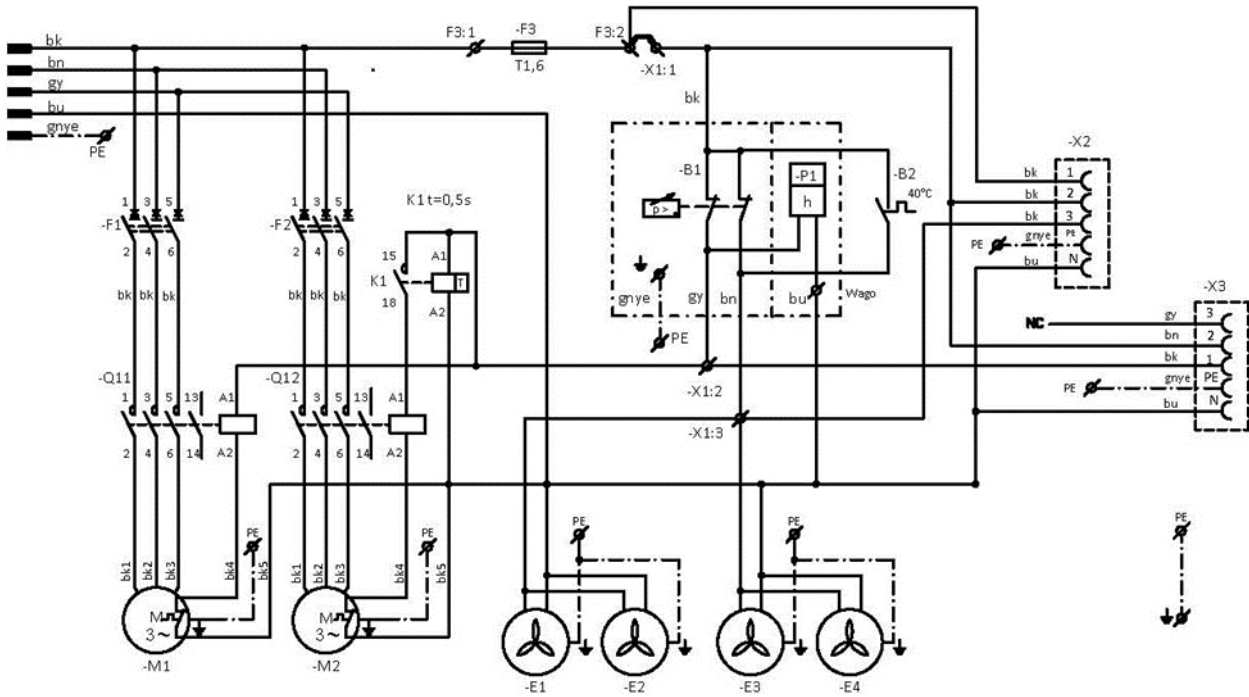
DK50 2x4VR/110/M

6 - 8 bar, 8 - 10 bar

3/N/PE~400V, 50Hz

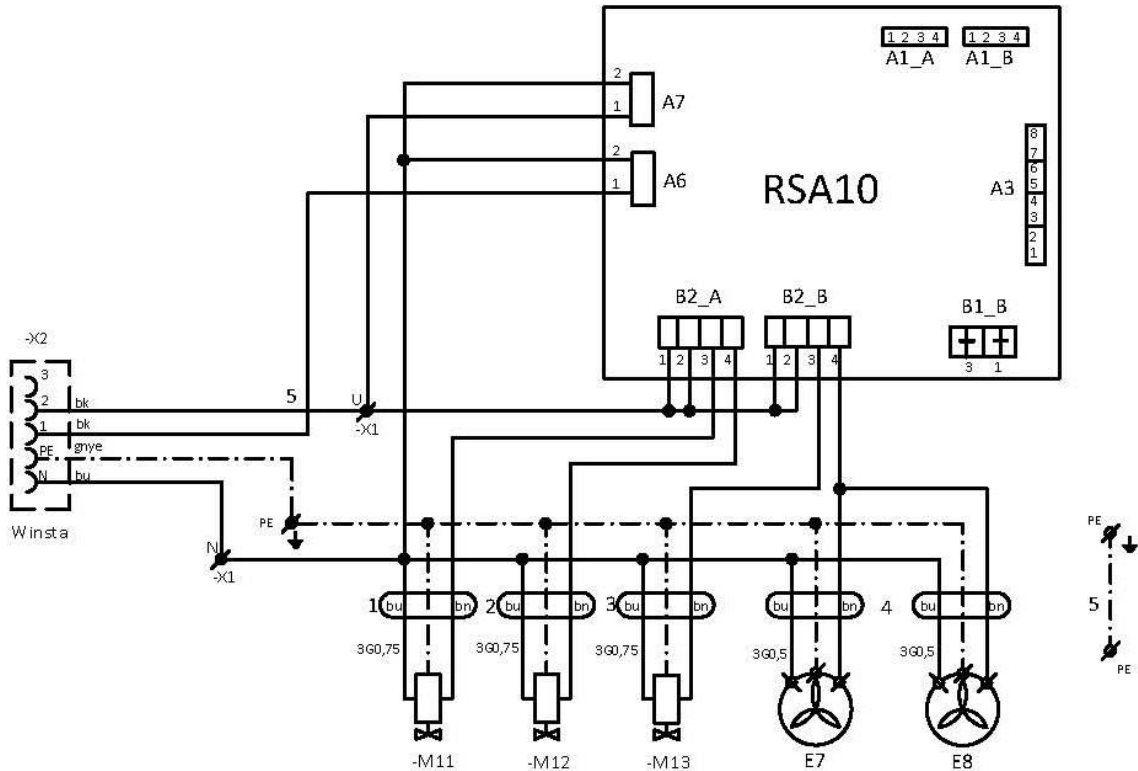
NETZ TN-S [TN-C-S]

ELEKTRISCHES OBJEKT 1. KAT.



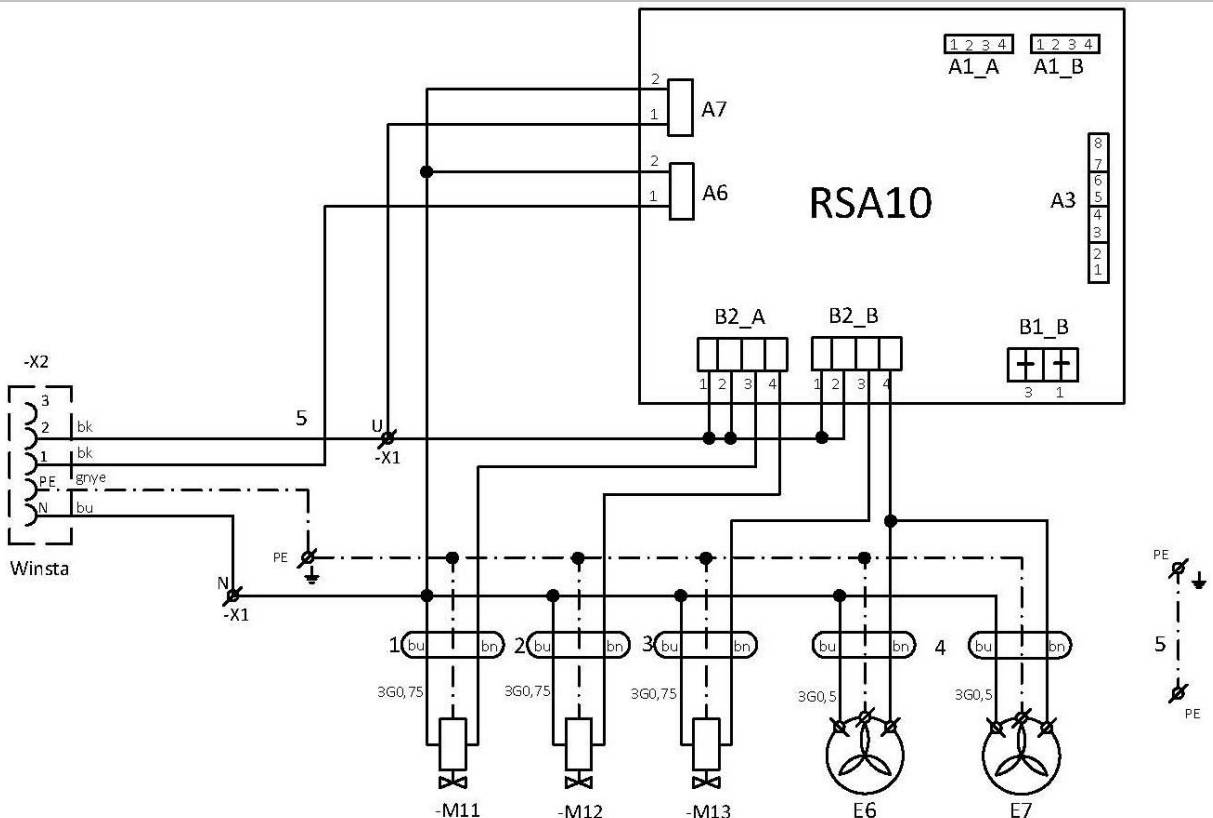
AD 280EK

1/N/PE ~ 230V,50Hz, 230V,60Hz
ELEKTRISCHES OBJEKT 1. KAT.



AD500

1/N/PE~230V, 50/60Hz
~120V, 60Hz
ELEKTRISCHES OBJEKT 1. KAT.



Beschreibung der Elektroschaltpläne:

M1, M2	Kopresormotor	X2	Buchse
E1 – E4	Kompressorlüfter	X3	Serviceanzeigebuchse
F3	Sicherung	S10	Schalter
F1, F2	Ausschalter	X10,X11	Verbinder
B1	Druckschalter	E10, E11	Gehäuselüfter
B2	Temperaturschalter	E6-E8	Trocknerlüfter
Q11,12	Schütz	M11, M13	Regenerationsmagnetventil
K1	Zeituhr-Relais	M12	Magnetventil – Entlüftung
P1	Stundenzähler	RSA 10	Steuerung
X1	Klemmblock		

BETRIEB

DAS GERÄT DARF NUR DURCH GESCHULTES PERSONAL BEDIENT WERDEN!



Stromschlaggefahr!

Bei Gefahr den Kompressor vom Stromnetz trennen (Netzstecker ziehen)!



Verbrennungs- oder Brandgefahr!

Teile des Aggregats und der Druckluftkomponenten zwischen dem Aggregat und dem Trockner können während des Betriebs heiß werden und gefährliche Temperaturen erreichen, die die Materialien schädigen oder das Bedienpersonal verletzen können.



Achtung – Kompressor wird automatisch gesteuert.

Automatischer Start. Sinkt der Druck im Druckluftbehälter unter den Einschaltdruck, schaltet sich der Kompressor automatisch ein. Der Kompressor schaltet sich automatisch aus, wenn der Druck im Druckluftbehälter den Abschaltdruck erreicht.



Beschädigungspotenzial für Pneumatikkomponenten!

Die Einstellungen des Arbeitsdrucks für den Druckschalter, die vom Hersteller eingestellt sind, können nicht geändert werden. Der Kompressorbetrieb bei einem Betriebsdruck unter dem Schaltdruck weist auf einen hohen Luftverbrauch hin (siehe Kapitel „Fehlerbehebung“).



Die benötigte Trocknungsleistung kann nur erreicht werden, wenn die angegebenen Betriebsbedingungen eingehalten werden.

Die Trocknungsleistung lässt nach und der erreichte Taupunkt fällt, wenn der Trockner bei einem Druck unterhalb des Mindestarbeitsdrucks benutzt wird.



Bei längerem Betrieb des Kompressors erhöht sich die Umgebungstemperatur um den Kompressor herum möglicherweise auf über 40 °C. An diesem Punkt schaltet sich der Kühlventilator automatisch ein. Der Lüfter schaltet sich aus, sobald der Bereich auf circa 32 °C heruntergekühlt wurde.

17. EINSCHALTEN DES KOMPRESSORS

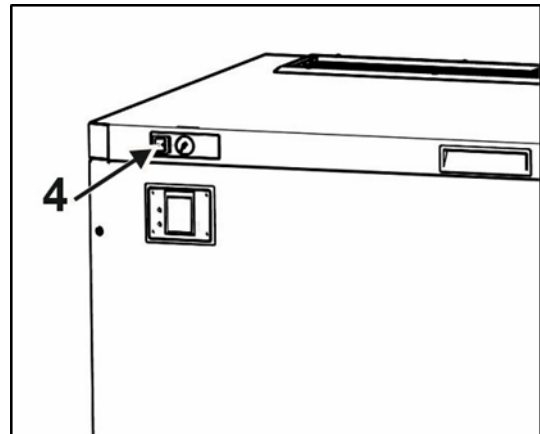
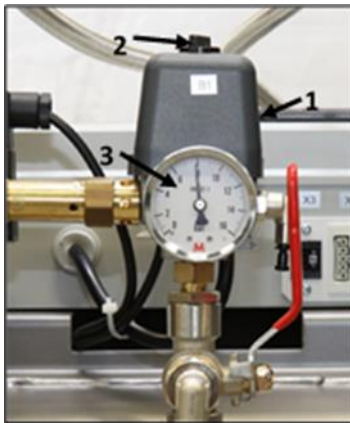
Starten Sie den Kompressor (ohne Gehäuse) am Druckschalter (1), indem Sie den Schalter (2) auf Position „I“ stellen. Dadurch wird der Kompressor gestartet und der Tank bis zum Ausschaltdruck gefüllt, wodurch der Kompressor abgeschaltet wird.

Starten Sie den Kompressor (mit Gehäuse) über den Schalter (4) an der Vorderseite des Gehäuses. Die Anzeige leuchtet grün. Dies startet den Kompressor und füllt den Tank bis zum Ausschaltdruck, was den Kompressor abschaltet.

Der Kompressor läuft im Automatikmodus und wird durch den Druckschalter abhängig vom Druckluftverbrauch ein- und ausgeschaltet.

Überprüfen Sie die Werte des Ein- und Ausschaltdrucks mithilfe des Druckmessers (3). Eine Toleranz von $\pm 10\%$ ist zulässig. Der Druck im Druckluftbehälter darf den zulässigen Betriebsdruck nicht überschreiten.

Abb. 23: Schalten des Kompressors



Beschädigungsgefahr für Pneumatikteile!

Der Druckschalter (1) wurde durch den Hersteller eingestellt. Eine weitere Einstellung darf nur durch einen qualifizierten Techniker vorgenommen werden, der durch den Hersteller geschult wurde.

18. AUSSCHALTEN DES KOMPRESSORS

- Das Ausschalten des Kompressors für Wartungsarbeiten oder aus anderen Gründen erfolgt über den Druckschalter (1), indem der Schalter (2) auf die Position „0“ (Abb. 23) gestellt und der Netzstecker aus der Steckdose gezogen wird. Damit wird der Kompressor von der Netzstromversorgung getrennt.
- Lassen Sie die Druckluft im Druckluftbehälter durch Öffnen des Ablassventils vollständig ab.

AD-TROCKNER

19. FUNKTIONSWEISE

Der Trockner wird vom Kompressordruckschalter über ein Signal gesteuert.

Wenn der Kompressor läuft, strömt die Druckluft in den Kühler, wo sie abgekühlt und ein Teil dieser kondensierten Feuchtigkeit im integrierten Kreislaufabscheider abgetrennt wird. Das Magnetventil V3 befindet sich im Boden des Abscheiders und lässt in regelmäßigen Intervallen das Kondensat aus dem Abscheider ab.

Anschließend strömt Luft in die Kammer des Logikventils OR1, das den Druck misst. Erreicht der Druck in der Ventilkammer nicht $P1 = 3$ bar, bleiben die Regenerationsmagnetventile V1 und V2 (normalerweise geschlossen) geschlossen und die Regeneration wird nicht ausgelöst. Erreicht der Druck in der Kammer des Logikventils Min. 3 bar, wird die Kammerumschaltung nach der in Punkt 19.1 beschriebenen Logik ausgelöst.

Sobald das Signal des Kompressordruckschalters deaktiviert wird, öffnen sich die Regenerationsventile V1 und V2 für einen kurzen Zeitraum, um das Kompressoraggregat zu entlüften und die Trocknerkammer zu belüften.

Die Entlüftung und Regeneration des Trockners erfolgt über den gemeinsamen Schlauch mit dem Ablauf des Kondensatabscheiders. Daher kann der Kondensatablauf nicht direkt an einen Ablauf angeschlossen werden.

19.1. Regeneration des Trockners

Die Regeneration des Trockners wird bei einem Arbeitsdruck von $P1 = 3$ bar ausgelöst. Während der Regeneration werden die Ventile V1 und V2 zyklisch geschaltet, wobei es zum Druckausgleich in den Kammern eine kurze Verzögerung (dT) gibt. Während dieser werden beide Ventile vor jedem Schaltzyklus geschlossen.

In Kammer 1 herrscht Arbeitsdruck und die Kammer befindet sich in der Trocknungsphase, während in Kammer 2 Atmosphärendruck herrscht und sich diese Kammer in der Regenerationsphase befindet. Die Kammer wird durch die durch die Trocknerdüse strömende Luft regeneriert.

19.2. Sparmodus („Energy saving“) (nur für Modelle mit Taupunktsensor)

Bei Trocknern mit Taupunktsensor erfolgt eine zusätzliche Regelung der Spülluft zur Aufrechterhaltung des definierten Taupunkts.

Wird der gewünschte Taupunkt erreicht, wird die Regeneration gestoppt, um die Spülluftmenge zu optimieren. Wird die Regeneration gestoppt, werden die beiden Ventile V1 und V2 geschlossen (wodurch die Kammerspülung mit Trockenluft beendet wird).

Sie wechseln sich gemäß ihrem Standardintervall weiter ab, um die Belastung der Kammern auszugleichen.

Steigt der Taupunkt, wird der Sparmodus („Energy saving“) deaktiviert und der Trockner läuft mit aktivierter Regeneration weiter.

Dauer des deaktivierten Regenerationsmodus

Der Sparmodus („Energy saving“) mit deaktivierter Regeneration ist zeitlich beschränkt. Nach Ablauf eines definierten Intervalls (Wechsel der 4 Kammern) wird ein Zyklus mit der Standardregeneration beider Kammern hinzugefügt.

19.3. Alrmsystem

Alle Gerätealarme werden gemäß EN 60601-1-8 als technische Alarme niedriger Priorität eingestuft. Jeder Alarm wird durch ein entsprechendes optisches Signal (siehe Kapitel 22) angezeigt und das optische Signal blinkt. Wenden Sie sich an einen autorisierten Serviceanbieter,

um die erforderlichen Reparaturen im Falle einer Störung durchzuführen.

Alarmzustände weisen auf einen möglichen Ausfall des Geräts hin. Daher dürfen Alarmsignale nicht deaktiviert werden.

Alle Alarmsignale sind intermittierend – wenn die Alarmursache nicht mehr besteht, werden die Alarmsignale deaktiviert.

Position des Bedieners. Es ist keine bestimmte Position des Bedieners erforderlich. Abhängig von den tatsächlichen Betriebsbedingungen kann der Bediener innerhalb der Reichweite eines visuellen Warnsignals bleiben.

Niedriger Druck. Dieses Signal ist aktiv, wenn der Trocknerdrucksensor einen niedrigen Druck im Trockner unter dem definierten Grenzwert von 3 bar anzeigt. Ein Luftleck am Kompressor/Trockner, eine Fehlfunktion der Steuermagnetventile am Trockner oder ein Softwarefehler können diesen Alarm während des Betriebs auslösen.

Hoher Druck. Dieses Signal ist aktiv, wenn der Trocknerdrucksensor einen Druckanstieg über den oberen Grenzwert misst. Das Aggregat schaltet dann ab und bleibt abgeschaltet, bis der Druck abfällt. Wenn das Aggregat nicht abschaltet, wird der Überdruck durch das Sicherheitsventil am Luftbehälter des Kompressors abgelassen.

Hoher Taupunkt. Dieses Signal ist aktiv, wenn der Taupunktsensor einen hohen Taupunktwert misst.

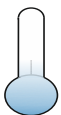
Ablauf des Wartungsintervalls. Dieses Signal wird aktiviert, bis die Wartung durchgeführt und das Intervall zurückgesetzt oder ein neues Wartungsintervall eingegeben wird.

20. BENUTZERBEREICH/EINSTELLUNGEN

20.1. Bedeutung der Symbole auf der Anzeige

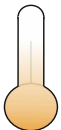


Symbol für das Benutzerhandbuch oder zum Lesen des Benutzerhandbuchs.



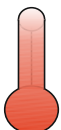
Symbol, das die Umgebungstemperatur (ab 25°C) in Bezug auf den ausgewählten Modus zeigt.

Das Programm stellt die Vorbefüllung der Kammer im jeweiligen Modus ein.



Symbol, das die Umgebungstemperatur (von 25°C bis 30°C) in Bezug auf den ausgewählten Modus zeigt.

Das Programm stellt die Vorbefüllung der Kammer im jeweiligen Modus ein.



Symbol, das die Umgebungstemperatur (über 30°C) in Bezug auf den ausgewählten Modus zeigt.

Das Programm stellt die Vorbefüllung der Kammer im jeweiligen Modus ein.



Zurück zum Hauptmenü auf den 4 Hauptbildschirmen.



Zurück



Symbol für das Wartungsintervall



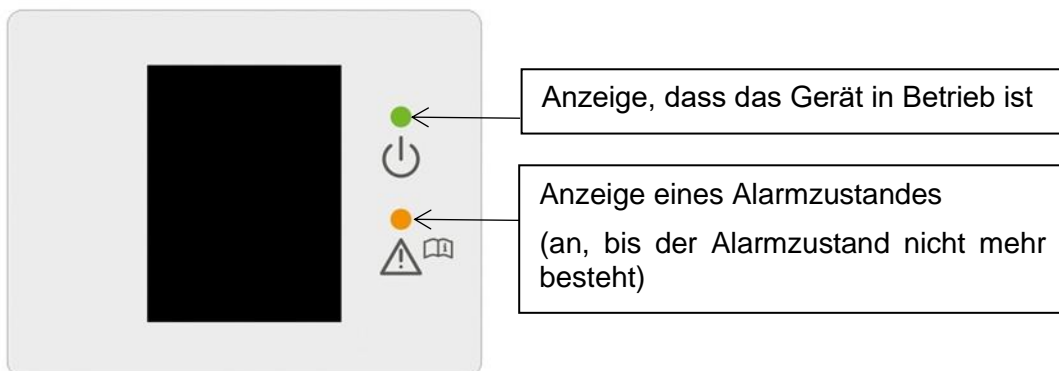
Symbol, wenn sich die Trocknerkammer in der Regeneration befindet



Symbol, wenn die Trocknerkammer trocknet

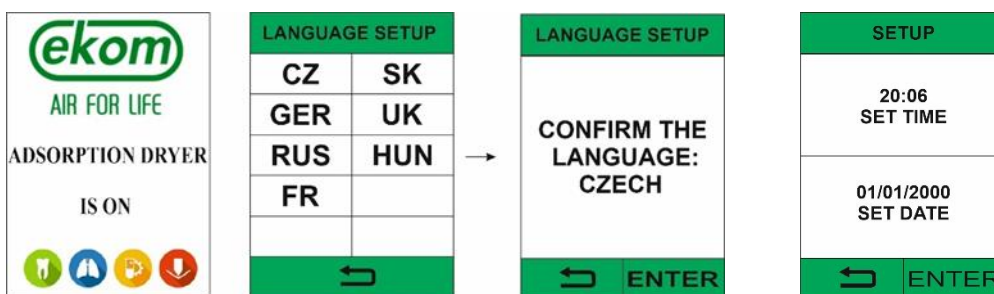


Symbol für die Vorbefüllung der Kammer – Druckausgleich in den Kammern.



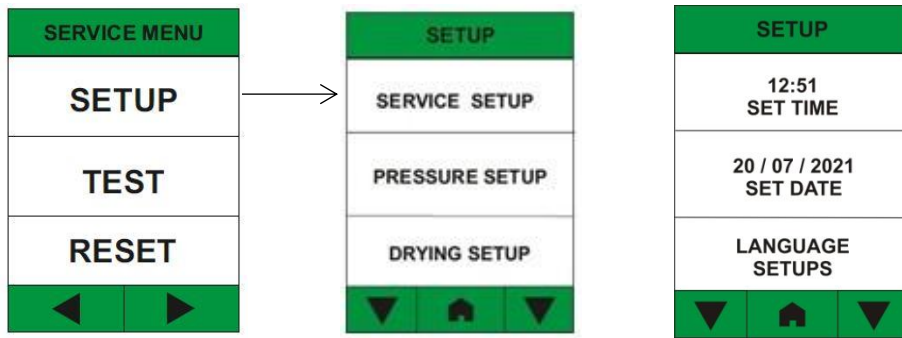
20.2. Ursprüngliche Einstellungen für die Benutzeroberfläche

Beim ersten Start des Programms erscheint die Option, eine Sprache, die Zeit und das Datum auszuwählen. Während der Installation wählt der Servicetechniker die Sprache, die Zeit und das Datum entsprechend dem geografischen Installationsstandort des Trockners aus. Das Programm speichert diese Einstellung und merkt sie sich. Beim Neustart des Programms wird diese Option nicht angezeigt. Mit der Bestätigung dieser Option wird auch der Countdown für die Betriebsstunden gestartet.



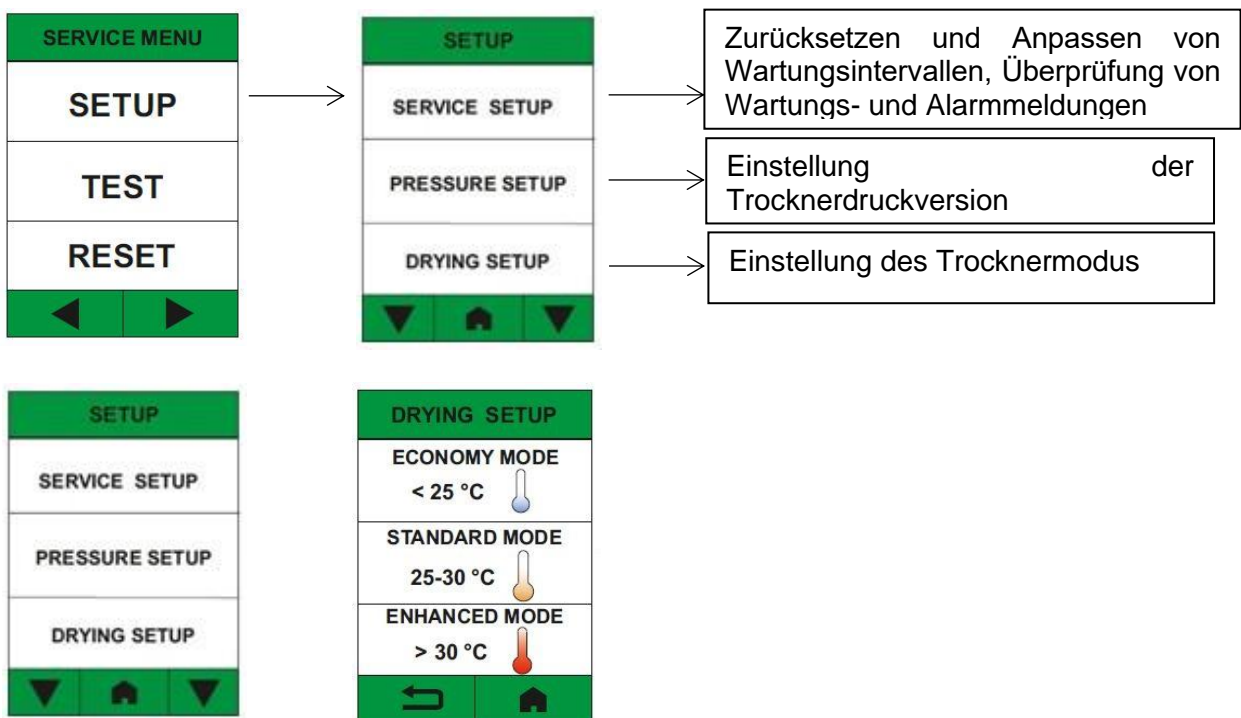
20.3. Einstellen von Datum und Uhrzeit bei der Inbetriebnahme

Es wird empfohlen, Datum und Uhrzeit bei der Inbetriebnahme einzustellen. Diese Einstellungen werden im Wartungsmenü im Abschnitt SETUP geändert. Der Zugriff auf das Wartungsmenü ist durch einen Code (1992) geschützt. Tippen Sie im SETUP auf den Pfeil nach unten, um Datum und Uhrzeit einzustellen. Ebenso kann auch die Sprache der Benutzeroberfläche über LANGUAGE SETUP zurückgesetzt werden.



20.4. Einstellen des Trocknungsmodus bei der Inbetriebnahme

Es wird empfohlen, den Lufttrocknungsmodus bei der Inbetriebnahme einzustellen. Diese Einstellungen werden im Wartungsmenü im Abschnitt SERVICE SETUP geändert. Der Zugang zum Wartungsmenü ist durch einen Code geschützt.



Der Trocknungsmodus wird basierend auf dem erwarteten Druckbereich, in dem das Gerät betrieben wird, und der Version des Kompressors (mit oder ohne Schrank) eingestellt.

- Kompressor ohne Schrank $t_0 < 25\text{ °C}$ – auf ECONOMY-Modus gestellt
- Kompressor ohne Schrank $t_0 = 25\text{ °C} - 30\text{ °C}$ – auf STANDARD-Modus gestellt
- Kompressor ohne Schrank $t_0 > 30\text{ °C}$ – auf ENHANCED-Modus gestellt
- Kompressor im Schrank – auf ENHANCED-Modus gestellt

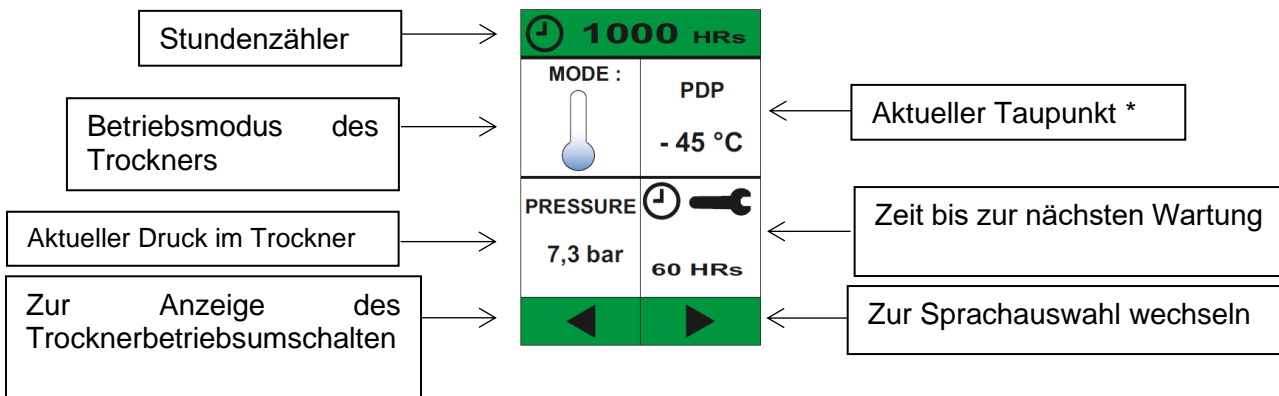
t_0 - Umgebungstemperatur

21. HAUPTBILDSCHIRME

Der Startbildschirm wird geöffnet, sobald die Sprache der Benutzeroberfläche und der Trocknungsmodus eingestellt sind. Vom Startbildschirm aus kann auf vier Hauptbildschirme zugegriffen werden. Mit den Pfeilen am unteren Bildschirmrand kann zwischen den einzelnen

Bildschirmen navigiert werden.

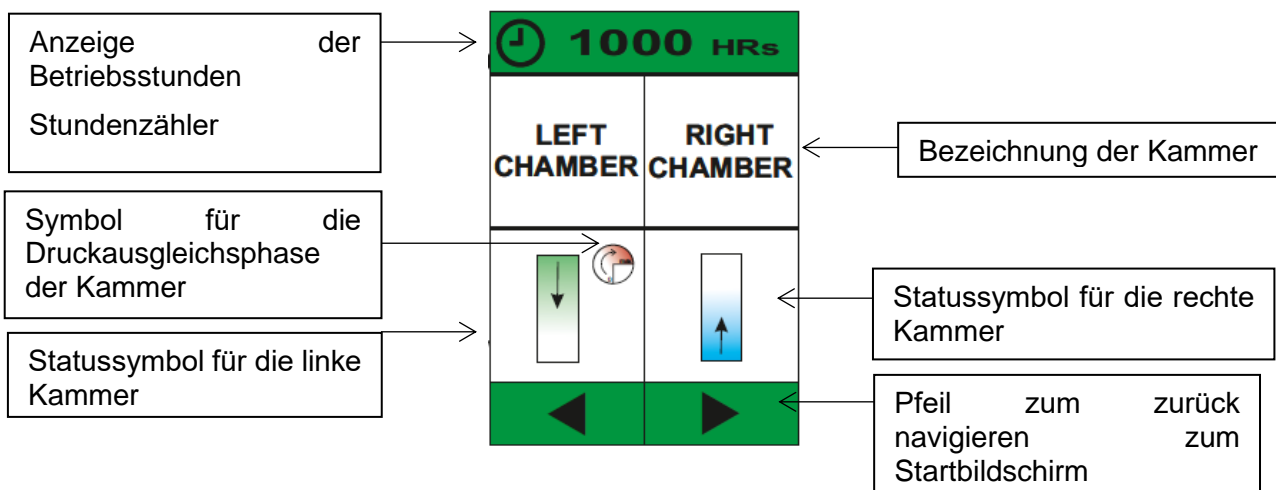
21.1. Hauptbildschirm



(*diese Information wird nur bei Kompressoren angezeigt, die mit einem Taupunktsensor ausgestattet sind)

- Auf dem Startbildschirm des Trockners werden allgemeine Informationen und gemessene Parameter angezeigt. Die Anzeige der Betriebsstunden des Trockners befindet sich oben auf dem Bildschirm. Der Startbildschirm hat 4 Hauptkacheln mit den folgenden Informationen:
- Betriebsmodus des Trockners (siehe Kapitel 20.1)
- Aktueller Druck im Trockner (der minimale Betriebsdruck zur Aktivierung der Trocknerregeneration ist 3 bar)
- Aktueller Drucktaupunktwert (nur für Kompressoren, die mit Taupunktsensoren ausgestattet sind)
- Verbleibende Zeit zum nächsten Wartungsintervall (siehe Kapitel 22.1, 22.2–Wartungsintervalle).

21.2. Betriebsbildschirm des Trockners



Die Anzeige der Betriebsstunden des Trockners befindet sich oben auf dem Bildschirm. Der Betriebsbildschirm des Trockners ist auch in 4 Kacheln unterteilt. Diese zeigen die Arbeitszyklen der Trocknerkammern anhand einer grafischen Darstellung der Betriebszustände der einzelnen Kammern.



Symbol, wenn sich die Trocknerkammer in der Regeneration befindet



Symbol, wenn die Trocknerkammer trocknet



Symbol für die Vorbefüllung der Kammer – Druckausgleich in Kammern.

21.3. Bildschirm für Spracheinstellungen

LANGUAGE SETUP	
CZ	SK
GER	UK
RUS	HUN
FR	
◀	▶

Der Bildschirm für die Spracheinstellungen ist einer der Hauptbildschirme.

21.4. Bildschirm für Wartungsmenü

SERVICE MENU		CODE: * * * *
SETUP	→	1 2
TEST	→	2 4
RESET	→	5 6
		7 8
		9 ←
◀ ▶		↩ ENTER

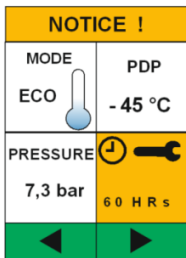
Das Wartungsmenü ist ausschließlich für das Wartungspersonal bestimmt. Der Zugriff auf die einzelnen Menüpunkte ist durch ein Passwort (1992) geschützt.

22. ANZEIGE DER WARTUNGS- UND ALARMZUSTÄNDE

Mit der Steuerung des Adsorptionstrockners können ausgewählte Parameter (Druck und Drucktaupunkt in Trockner-Ausführungen mit einem Taupunktsensor) gemessen und die allgemeinen Betriebszustände des Trockners ermittelt werden.

Die Steuerung zeigt anhand der gemessenen Parameter und der Wartungsdaten Informationen zu Fehlern mit den folgenden Meldungen und Warnungen an.

22.1. Meldung – Anstehendes Wartungsintervall



- 100 Betriebsstunden vor dem nächsten Wartungsintervall wird eine gelbe Meldung angezeigt „Hinweis!“ („Notice!“). Die Wartungskachel leuchtet ebenfalls orange auf.
- Die verbleibenden Stunden bis zum nächsten Wartungsintervall werden ebenfalls angezeigt.
- Die Warnung wird angezeigt, bis die Wartung ausgeführt und das Wartungsintervall zurückgesetzt wurde.

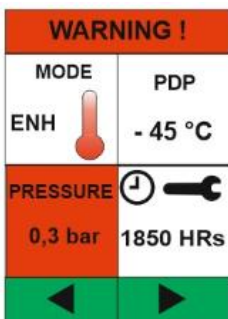
22.2. Warnung – Wartungsintervall überschritten



- Nach Ablauf des Wartungsintervalls wird eine rote Warnung angezeigt „Warnung!“ („Warning!“). Die Wartungskachel leuchtet ebenfalls rot auf.
- Die Warnung wird angezeigt, bis die Wartung ausgeführt und das Wartungsintervall zurückgesetzt wurde.
- Die Stunden bis zum nächsten Wartungsintervall werden ebenfalls angezeigt.
- Eine Liste der Warnungen wird im „Warnungsprotokoll“ („Warning log“) gespeichert
- Der Trockner arbeitet normal weiter.

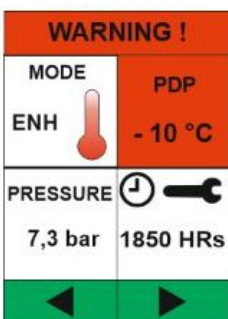
22.3. Alarmzustände

Niedriger/Hoher Druck



- Wird ein niedriger Druck (<3 bar) oder ein hoher Druck (> 8,5 bar bzw. > 10,5 bar je nach Druckausführung) erkannt, wird eine rote Warnung angezeigt „Warnung!“ („Warning!“). Gleichzeitig leuchtet die aktuelle Druckkachel rot auf.
- Die Warnung wird für die gesamte Dauer des Alarmzustands angezeigt.
- Eine Liste der Warnungen wird im „Warnungsprotokoll“ („Warning log“) gespeichert
- Der Trockner arbeitet nicht normal, die Regeneration wird nicht eingeleitet, der Kompressor muss abgeschaltet werden.

Hoher Taupunkt



- Diese Warnung ist nur bei Trocknern mit Taupunktsensoren verfügbar.
- Eine rote Warnung wird angezeigt „Warnung!“ („Warning!“), wenn ein hoher Taupunkt (> -20 °C bzw. > -40 °C je nach Ausführung des Trockners) erkannt wird. Gleichzeitig leuchtet die aktuelle Drucktaupunkt-Kachel rot auf.
- Die Warnung wird für die gesamte Dauer des Alarmzustands angezeigt.
- Eine Liste der Warnungen wird im „Warnungsprotokoll“ („Warning log“) gespeichert
- Der Trockner funktioniert nicht richtig oder wird außerhalb der empfohlenen Einsatzbedingungen verwendet, der Kompressor muss abgeschaltet werden.



Nach der ersten Inbetriebnahme kann es bis zu 50 Stunden dauern, bis der Kompressor den erforderlichen Taupunkt erreicht. Während dieser Zeit wird die Warnung vor hohem Taupunkt nicht angezeigt. Wenn der Trockner den Taupunkt-Sollwert nicht erreichen kann, wenden Sie sich bitte an das Servicepersonal.

22.4. Bildschirm „Wartungsdienst anrufen“ („Call Service“)



- Der Bildschirm „Wartungsdienst anrufen“ („Call Service“) wird abwechselnd mit dem Hauptbildschirm angezeigt, wenn eine Benachrichtigung oder Warnung erscheint.

PRODUKTWARTUNG

23. PRODUKTWARTUNG



Der Bediener muss mindestens alle 24 Monate (EN62353) oder in Intervallen, die durch geltende nationale Rechtsvorschriften vorgegeben sind, das Gerät regelmäßig testen. Die Testergebnisse sind aufzuzeichnen (z. B. gemäß EN 62353, Anhang G), darin sind auch die Messverfahren zu nennen

Das Gerät wurde so konstruiert und hergestellt, dass nur eine minimale Wartung nötig ist. Die folgenden Arbeiten sind auszuführen, damit eine korrekte und zuverlässige Funktion des Kompressors gewährleistet ist.



Gefahr – unzulässige Arbeiten!

Reparaturarbeiten außerhalb des Rahmenwerks der normalen Wartung (siehe Kapitel 23.1) dürfen nur von einem qualifizierten Techniker (ein durch den Hersteller autorisiertes Unternehmen) oder vom Kundendienst des Herstellers ausgeführt werden.

Normale Wartungsarbeiten (siehe Kapitel 23.1) dürfen nur durch einen geschulten Bediener ausgeführt werden.

Verwenden Sie nur Ersatzteile, die vom Hersteller genehmigt wurden.



Gefahr von Verletzungen oder Beschädigung der Gerätschaft!

Vor Beginn der Wartung am Kompressor sind folgende Arbeiten auszuführen:

- Überprüfen Sie, ob es möglich ist, den Kompressor von der Anlage zu trennen, um mögliche Verletzungen der Person zu verhindern, die die Anlage verwendet, bzw. um Sachschäden zu vermeiden.
- Schalten Sie den Kompressor aus.
- Trennen sie ihn vom Stromnetz (Netzstecker aus der Steckdose ziehen).
- Lassen Sie die Druckluft aus dem Druckluftbehälter ab.



Das Ablassen von Druckluft stellt eine Verletzungsgefahr dar.

Tragen Sie einen Augenschutz, d. h. eine Schutzbrille, wenn Sie Druckluft aus dem Druckluftkreislauf (Luftbehälter) ablassen.



Verbrennungsgefahr!

Wenn der Kompressor in Betrieb ist (oder kurze Zeit danach), können bestimmte Bereiche der Druckluftpumpe, des Druckluftsystems des Kompressors, Teile des Trockners und die Anschlussschläuche zwischen dem Kompressor und dem Trockner heiß werden – diese Komponenten nicht berühren!



Der während der Servicearbeiten ausgebaute Erdungsleiter muss nach Beendigung der Arbeiten wieder in seine ursprüngliche Position gebracht werden.

- Für Wartungs- oder Reparaturarbeiten kann der Kompressor aus dem Gehäuse herausgezogen werden (auf Lenkrollen und so weit, wie es das Kabel zwischen Kompressor und Schrank erlaubt (siehe Kapitel 23). Danach können die erforderlichen Wartungs- oder Reparaturarbeiten durchgeführt werden.
- Löst sich das Kabel zwischen Kompressor und Gehäuse (durch Ziehen des Netzsteckers, siehe Kapitel 13.2.), funktioniert der Kompressor nicht mehr. Um den Kompressor wieder in Betrieb zu nehmen, befolgen Sie bitte die Anweisungen aus Kapitel 13.2, 23.8 oder 23.9.

23.1. Wartungsintervalle

Zeitintervall	Ausgeföhrt durch Bediener				Qualifizierter Techniker													
	Austauschteile-Set	Kap.	24.000 Std.	20.000 Std.	16.000 Std.	12.000 Std.	10.000 Std.	8.000 Std.	6.000 Std.	4.000 Std.	2.000 Std.	Alle 6 Jahre	Alle 4 Jahre	Alle 2 Jahre	Einmal jährlich	Einmal wöchentlich	Einmal täglich	
Produktbetrieb überprüfen	-	23.2															x	
Kondensat aus Druckluftbehälter ablassen – bei hoher Luftfeuchtigkeit	-	23.5															x	
Kondensat aus Druckluftbehälter ablassen – bei normaler Feuchtigkeit	-	23.5														x		
Produktfunktion überprüfen	-	9														x		
Auf Undichtigkeiten an den Druckluftanschlüssen überprüfen und Geräteinspektion	-	23.3													x			
Überprüfung der Stromanschlüsse	-	23.4													x			
Überprüfung von Kühler und Lüfter	-	23.11													x			
Sicherheitsventil überprüfen	-	23.6													x			
Austausch des Pumpenansaugfilters und Vorfilters 4VR ^{a)}	025200139-000 025200150-000	23.7															x	

a) Daten werden in Stunden angegeben; falls nicht möglich, werden die Daten in Jahren angegeben.
 b) Überprüfen Sie die Funktion des Entlüftungsventils am Trockner nach jeder Störung des Trockners.
 c) Je nachdem, was zuerst eintritt: 2 Jahre/10.000 Stunden.
 d) Je nachdem, was zuerst eintritt: 6 Jahre/24.000 Stunden.

Zeitintervall	Ausgeführt durch	Qualifizierter Techniker					
		Austauschteile-Set					
		-	603022493-000	603022485-000	069000317-000	025300117-000	-
	Kap.	23.12	siehe Wartungshandbuch				23
	24.000 Std.					x	
	20.000 Std.		x	x			
	16.000 Std.				x		
	12.000 Std.						
	10.000 Std.		x	x			
	8.000 Std.						
	6.000 Std.						
	4.000 Std.						
	2.000 Std.						
	Alle 6 Jahre					x	
	Alle 4 Jahre				x		
	Alle 2 Jahre	x	x	x			x
	Einmal jährlich						
	Einmal wöchentlich						
	Einmal täglich						
	Taupunktsensorkalibrierung						
	Wechsel der Kassetten mit Adsorptionsmittel AD280-Trockner ^{c)}						
	Wechsel der Kassetten mit Adsorptionsmittel AD500-Trockner ^{c)}						
	Wechsel des logischen Kugelventils des Trockners				x		
	Wechsel des Magnetventils des Trockners ^{d)}					x	
	Führen Sie eine „Wiederholungsprüfung“ nach EN 62353 aus						x

- a) Daten werden in Stunden angegeben; falls nicht möglich, werden die Daten in Jahren angegeben.
- b) Überprüfen Sie die Funktion des Entlüftungsventils am Trockner nach jeder Störung des Trockners.
- c) Je nachdem, was zuerst eintritt: 2 Jahre/10.000 Stunden.
- d) Je nachdem, was zuerst eintritt: 6 Jahre/24.000 Stunden.

23.2. Produktbetrieb überprüfen

- Aggregatzustand prüfen – die Aggregate sollten normal und ohne übermäßige Schwingung oder Geräuschentwicklung laufen. Beheben Sie vorliegende Probleme oder kontaktieren Sie einen Servicemitarbeiter, falls ein Fehler erkannt wurde.
- Sichtprüfung des Lüfterbetriebs – die Lüfter müssen anlaufen, wenn ein Aggregat in Betrieb ist. Beheben Sie vorliegende Probleme oder kontaktieren Sie einen Servicemitarbeiter, falls ein Fehler erkannt wurde.
- Stellen Sie sicher, dass das Netzkabel und die angeschlossenen Druckluftschläuche unbeschädigt sind. Ersetzen Sie beschädigte Komponenten oder kontaktieren Sie einen Servicemitarbeiter.
- Überprüfen Sie die Umgebungstemperatur – die Umgebungstemperatur muss unter der Temperaturgrenze (40 °C) liegen. Kühlen Sie den Bereich, wenn die Temperatur zu hoch ist.
- Bei Kompressoren mit Trockner öffnen Sie den Stopfen am Kondensatsammelbehälter und lassen Sie das Kondensat ab.
- Überprüfen Sie die Serviceanzeige auf dem Display und planen Sie den Service nach Bedarf.
- Überprüfen Sie die Betriebsbedingung der Ausrüstung (siehe Kapitel 23.4).

23.3. Überprüfen Sie die Druckluftanschlüsse auf Dichtigkeit und überprüfen Sie das Gerät

Dichtigkeitstest

- Überprüfen Sie die Druckluftleitungen des Kompressors während des Betriebs auf Lecks – der Druck wird durch den Kompressor erzeugt.
- Verwenden Sie ein Lecksuchgerät oder Seifenwasser, um alle Verbindungen und Anschlüsse auf Undichtigkeiten zu überprüfen. Verbindungen, an denen Undichtigkeiten festgestellt wurden, sind festzuziehen oder erneut abzudichten.

Überprüfung der Gerätschaft

- Überprüfen Sie den Zustand des Kompressoraggregats auf reibungslosen Betrieb und niedrigen Geräuschpegel.
- Überprüfen der Lüfterfunktion – die Lüfter müssen während der festgelegten Arbeitszyklen des Kompressors laufen.
- Überprüfen Sie die Funktion des Temperaturschalters (B2) – erwärmen Sie den Temperaturschalter auf mehr als 40 °C (z. B. mithilfe einer Heißluftpistole – Achtung, nicht verwenden, wenn sich Kunststoffteilen in der Nähe befinden, diese können sich bei den hohen Temperaturen verformen!). Lüfter E1, E3 – der Kompressor muss unter Voltspannung stehen.
- Überprüfen Sie den Filterzustand – die Filter müssen unbeschädigt und ausreichend sauber sein.
- Überprüfen Sie den Zustand der Pumpe selbst und achten Sie darauf, dass weder Verschmutzungen noch Spiel im Kurbelwellengehäuse vorhanden sind.
- Ersetzen Sie bei Ausfällen alle defekten Teile.
- Defekte Teile sind nach Bedarf auszutauschen.
- Überprüfen Sie die Magnetventile im Ventilmodul – die Ventile sollten gemäß Betriebsbeschreibung zyklisch zwischen den Kammern schalten.
- Überprüfen Sie die Betriebsbedingung der Ausrüstung (siehe Kapitel 23.4).

23.4. Überprüfung der Stromanschlüsse



Stromschlaggefahr!

Untersuchen Sie die Stromanschlüsse des Produkts bei gezogenem Netzstecker.

- Überprüfen Sie die mechanische Funktion des Netzschalters.
- Überprüfen Sie das Netzkabel und die Stromleiter auf Unversehrtheit.
- Überprüfen Sie, ob die Kabel an den Anschlusskasten angeschlossen sind (Sichtprüfung).
- Überprüfen Sie alle Schraubverbindungen der grün-gelben PE-Erdungsleiter.

23.5. Kondensatablauf



Ein nasser Boden aufgrund eines Überlaufs des Behälters stellt eine Rutschgefahr dar.

Entleeren Sie regelmäßig den Kondensatauffangbehälter.

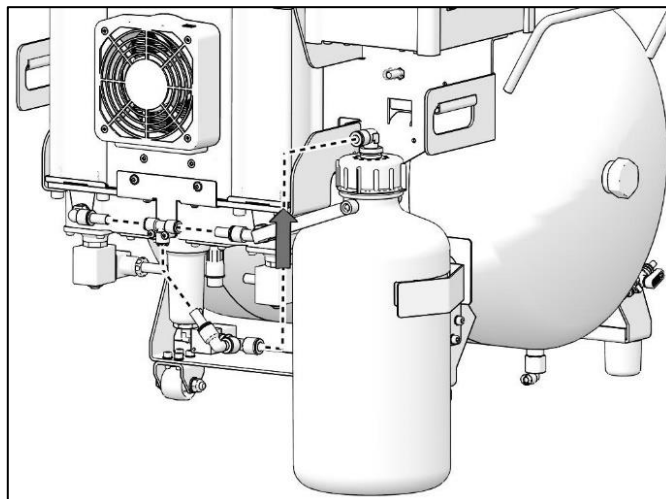


Schalten Sie den Kompressor vor jedem Entleeren des Behälters aus!

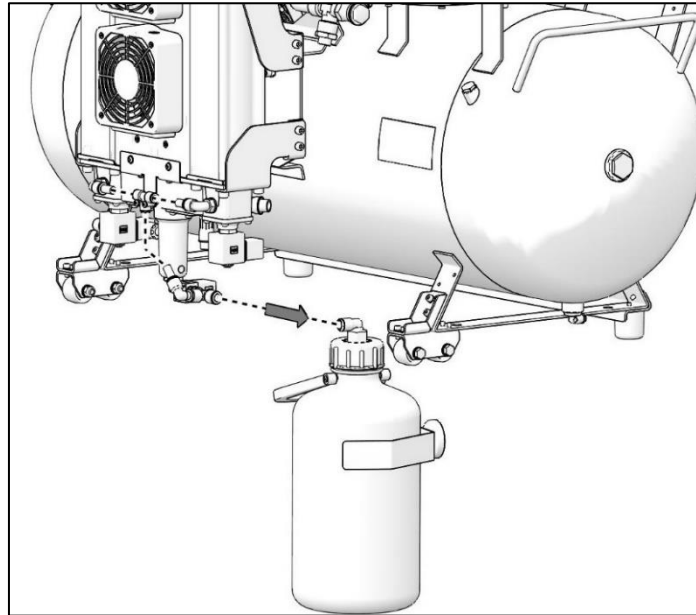
Das Kondensat aus Kompressoren mit Lufttrocknern wird automatisch in einen Behälter für das Sammeln von Kondensat abgelassen.

- Überwachen Sie den Füllstand im Behälter mithilfe der Markierungen (je nach Fassungsvermögen des Behälters) und entleeren Sie den Behälter mindestens einmal täglich.

Abb. 24: Überprüfen des Kondensatauffangbehälters



DK50 4VR/50/M



DK50 2x4VR/110/M



Folgende Schritte sind vor den nachfolgenden Überprüfungen erforderlich:

- Für Kompressoren mit Gehäuse: Lösen Sie die Türverriegelung und öffnen Sie die Gehäusetür.

23.6. Sicherheitsventil überprüfen

- Drehen Sie die Schraube (2) am Sicherheitsventil (1) mehrere Umdrehungen nach links, bis das Sicherheitsventil Luft ablässt.
- Das Sicherheitsventil einige Sekunden ausblasen lassen.
- Drehen Sie die Schraube (2) bis zum Anschlag nach rechts. Das Ventil muss jetzt geschlossen sein.



Abb. 25: Sicherheitsventil überprüfen



Eine Beschädigung des Sicherheitsventils kann zu einem gefährlichen Druckanstieg führen.

Verwenden Sie das Sicherheitsventil niemals, um Druckluft aus dem Drucklufttank abzulassen. Dies könnte das Sicherheitsventil beschädigen. Das Ventil ist durch den Hersteller auf den maximal zulässigen Druck voreingestellt.

Niemals das Sicherheitsventil justieren!



Das Ablassen von Druckluft stellt eine Verletzungsgefahr dar.

Tragen Sie bei der Untersuchung von Sicherheitsventilen eine Schutzbrille.

23.7. Austausch des Ansaugfilters

Der Ansaugfilter (1) befindet sich im Kurbelwellengehäuse des Kompressors.

Austausch des Ansaugfilters:

- Ziehen Sie den Gummistopfen mit der Hand heraus (2).
- Entfernen Sie den verschmutzten Einlassfilter (1).
- Setzen Sie einen neuen Filter ein und setzen Sie den Gummistopfen wieder ein.

Austausch des Vorfilters:

- Ziehen Sie den Vorfilter mit der Hand heraus (3).
- Ersetzen Sie den Filter und setzen Sie den neuen Filter ein.

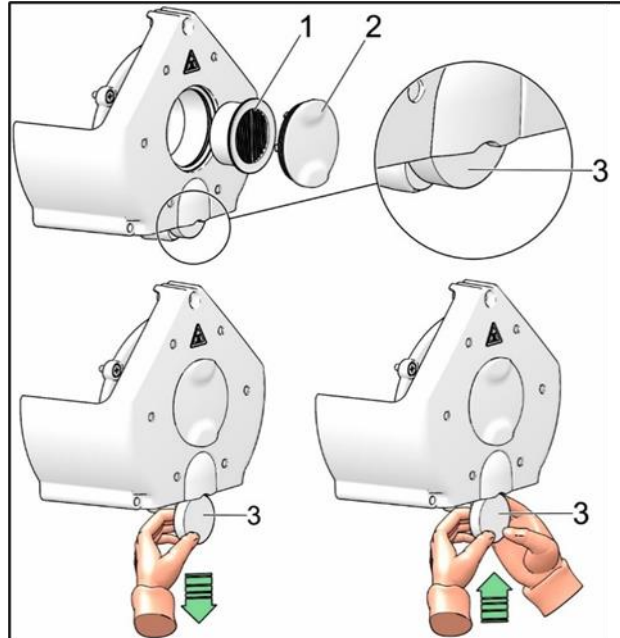


Abb. 26: Austausch des Ansaugfilters

23.8. Vorgehensweise beim Anschließen eines vom Schaltschrank getrennten Kompressors



Vor jeder Wartungs- oder Reparaturarbeit ist der Kompressor auszuschalten und durch Ziehen des Netzsteckers vom Stromnetz zu trennen.

Es ist notwendig, dass bei einem Kompressor (ohne Gehäuse) der Jumper immer an die Klemmleiste montiert wird, damit der ordnungsgemäße Betrieb gewährleistet ist. Dies ersetzt dann den Schalter am Gehäuse. (Abb. 27 Pos. C,D, Abb. 28 Pos. D)



Befindet sich kein Jumper auf der Klemmleiste des Kompressors (vom Schaltschrank getrennt), funktioniert der Kompressor nicht!

Löst sich das Kabel zwischen Kompressor und Gehäuse (durch Ziehen des Netzsteckers) und wird der Kompressor aus dem Gehäuse entfernt, funktioniert der Kompressor nicht mehr. () Aus diesem Grund muss zunächst eine Verbindung zur Klemmleiste mit einem Jumper hergestellt werden (dies ersetzt die Funktion des Trennschalters). (Abb. 27 Pos. A,B, Abb. 28 Pos. A)

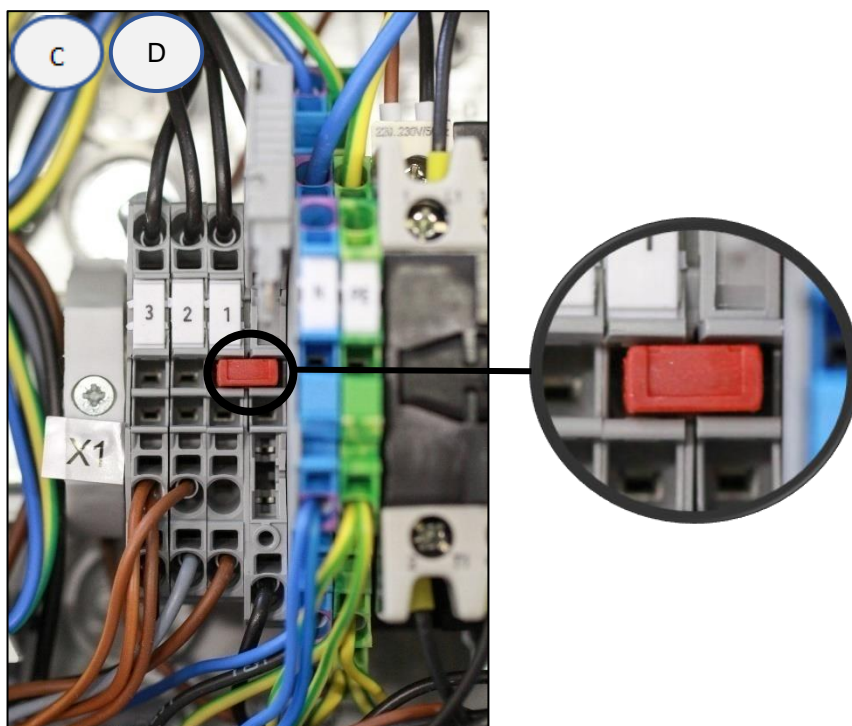
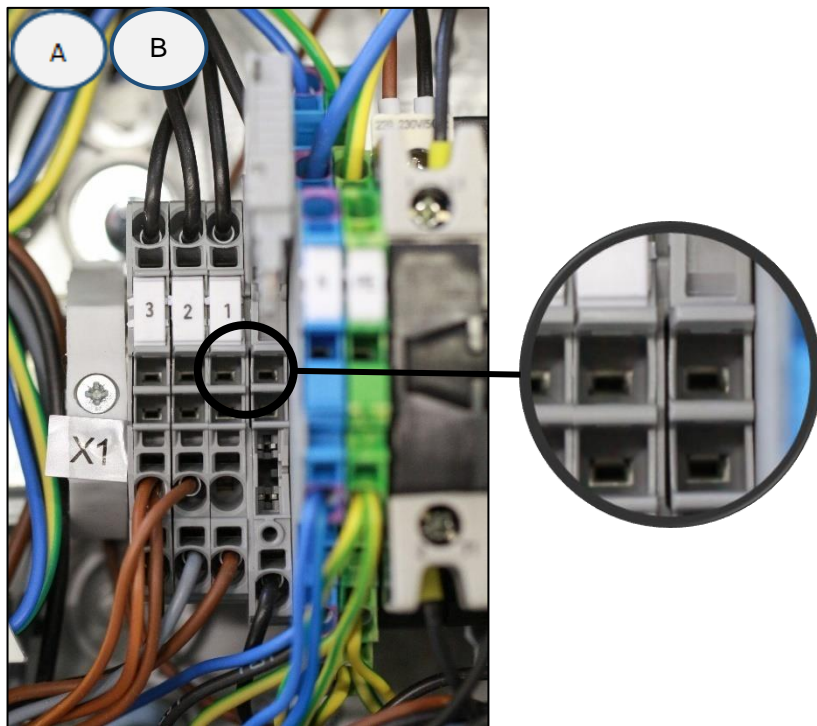
PROZESS:

Jumper-Installation (A-B-C-D-Prozess)

- Trennen Sie das Gerät vom Stromnetz, indem Sie den Stecker aus der Steckdose ziehen.
- Entfernen Sie die Abdeckung von der Schalttafel (des Kompressors).
- Der Jumper befindet sich nicht auf der Klemmleiste – A
- Heben Sie die Sicherungsabdeckung an – B
- Setzen Sie den Jumper in die Klemmleiste ein – C
- Schließen Sie die Sicherungsabdeckung – D

- Bringen Sie die Abdeckung der Schalttafel wieder an.
- Schließen Sie das Gerät an das Stromnetz an.
- Aktivieren Sie den Kompressor, indem Sie den Schalter auf dem Druckschalter einschalten.

Abb. 27: DK50 4VR/50/M



400V



Wenn ein Jumper mit der Klemmleiste des Gehäuses verbunden ist, funktioniert der Schalter am Kompressorgehäuse nicht.

Wenn ein neuer Schaltschrank an einen Kompressor angeschlossen werden soll, der zuvor separat gearbeitet hat (Kompressor ohne Gehäuse), muss die Verbindung auf der Klemmleiste unterbrochen werden; mehr zur konkreten Vorgehensweise erfahren Sie weiter unten. (Abb. 27, Abb. 28) (Siehe auch Kapitel 13.1 und 13.2)

PROZESS:

Entfernen des Jumpers (D-C-B-A-Prozess)

- Trennen Sie das Gerät vom Stromnetz, indem Sie den Stecker aus der Steckdose ziehen.
- Entfernen Sie die Abdeckung von der Schalttafel (des Kompressors).
- Der Jumper befindet sich auf der Klemmleiste – D
- Heben Sie die Sicherungsabdeckung an – C
- Entfernen Sie den Jumper von der Klemmleiste – B
- Schließen Sie die Sicherungsabdeckung – A
- Bringen Sie die Abdeckung der Schalttafel wieder an.
- Setzen Sie den Kompressor in die Box ein.
- Verbinden Sie den Schaltschrank mit dem Kompressor, indem Sie den Stecker des Netzkabels in die Steckdose stecken. (Abb. 13)
- Verbinden Sie den Stecker mit dem Display an der Fronttür des Schrankes.
- Schließen Sie das Gerät an das Stromnetz an.
- Aktivieren Sie den Kompressor, indem Sie den Schalter auf dem Druckschalter und den Schalter (4) am Gehäuse einschalten (Abb. 23).

Kompressor mit Gehäuse – Beim Betrieb in einem Schaltschrank **darf keinerlei** elektrischer Anschluss vorhanden sein. (Abb. 27 Pos. A,B, Abb. 28 Pos. A)

Hinweis: **Bei Verwendung eines Kompressors ohne Gehäuse oder beim Ausführen von Wartungsarbeiten müssen Jumper, die nicht an der Klemmleiste installiert sind, an einem gesonderten Ort neben der Schalttafel aufbewahrt werden.**

23.10. Reinigung und Desinfektion der Außenflächen des Produkts

Reinigen und desinfizieren Sie die Außenflächen mit neutralen Reinigungsmitteln.



Die Verwendung von aggressiven Reinigungs- und Desinfektionsmitteln mit Alkohol und Chlor kann zu einer Beschädigung und Verfärbung der Oberflächen führen.

23.11. Untersuchung des Kühlers und des Lüfters

Die Geräteteile, insbesondere der Kompressorlüfter, der Kühlerlüfter und der Kühler, müssen sauber gehalten werden, um eine effiziente Trocknerleistung zu gewährleisten. Entfernen Sie Staub von der Oberfläche der Kühlrippen und Kühler und verwenden Sie hierzu einen Staubsauger oder Druckluft.

23.12. Taupunktsensorkalibrierung

Es wird empfohlen, den Taupunktsensor bei Kompressoren mit diesem Sensor alle 2 Jahre zu kalibrieren. Die Kalibrierung wird vom Hersteller (Vaisala) durchgeführt und muss online bestellt

werden.

Bestellvorgang für die Sensorkalibrierung:

- Besuchen Sie die Website www.vaisala.com, navigieren Sie zum *Services (Abschnitt Dienste)* und wählen Sie *Calibration and repair services (Kalibrierungs- und Reparaturdienste)*.
- Geben Sie dann den Sensortyp (Sensortyp: **DMT143**) ein, wählen Sie einen Kalibriertyp aus und folgen Sie den Anweisungen.
- Nach dem Ausbau des Taupunktsensors muss die Einbaustelle des Sensors mit dem mitgelieferten Stopfen verschlossen und mit dem mitgelieferten Kleber abgedichtet werden (gilt für DK50 4VR/50/M-Kompressoren).

24. LANGFRISTIGE AUßERBETRIEBNAHME

Wird der Kompressor längere Zeit nicht genutzt, ist es empfehlenswert, das Kondensat aus dem Druckluftbehälter abzulassen und den Kompressor dann für 10 Minuten mit geöffnetem Kondensatablassventil laufen zu lassen. Schalten Sie den Kompressor anschließend durch Betätigung des Schalters (2) auf dem Druckschalter (1) (Abb. 23) aus, schließen Sie das Ablassventil und trennen Sie das Gerät vom Stromnetz.

25. ENTSORGUNG DES GERÄTS

- Trennen Sie das Gerät von der Stromversorgung.
- Lassen Sie durch Öffnen des Ablassventils Druckluft aus dem Druckbehälter ab.
- Entsorgen Sie das Gerät gemäß den geltenden Vorschriften.
- Beauftragen Sie ein Fachunternehmen mit der Abfalltrennung und -entsorgung.
- Verschlissene Bauteile haben keine negativen Auswirkungen auf die Umwelt.

FEHLERBEHEBUNG



Stromschlaggefahr!

Bevor Sie Arbeiten an dem Gerät vornehmen, trennen Sie es zunächst von der Stromversorgung (Netzstecker ziehen).



Das Arbeiten mit Druckkomponenten unter Druck stellt eine Verletzungsquelle dar.

Bevor Sie Arbeiten an dem Gerät vornehmen, lassen Sie den Druck aus dem Druckluftbehälter und dem Druckluftsystem vollständig ab.



Die Fehlerbehebung darf nur von einem qualifizierten Servicemitarbeiter durchgeführt werden.



Eine Beschädigung des Sicherheitsventils kann zu einem gefährlichen Druckanstieg führen.

Niemals das Sicherheitsventil justieren!

Störung	Mögliche Ursache	Lösung
Kompressor schaltet sich nicht ein	Keine Spannung am Druckschalter	Spannung an der Steckdose überprüfen
		Trennschalter überprüfen – Auf die Einschaltposition „I“ stellen
		Lose Klemme an der Klemmleiste – festziehen
		Stromkabel überprüfen – defektes Kabel ersetzen
	Unterbrechung der Motorwicklung, Wärmeschutz beschädigt	Motor oder Wicklungen ersetzen
	Kondensator defekt	Kondensator wechseln
Kompressor schaltet häufig ein	Festsitzen des Kolbens oder eines anderen rotierenden Teils	Beschädigte Komponenten auswechseln
	Der Druckschalter funktioniert nicht	Funktion des Druckschalters überprüfen
	Luftaustritt im Pneumatiksystem	Pneumatiksystem überprüfen – lose Verbindungen festziehen
	Undichtiges Rückschlagventil	Rückschlagventil reinigen, Dichtungen austauschen, Rückschlagventil austauschen
Niedriger Druck im Druckluftbehälter (Kompressor läuft durchgängig)	Hohe Mengen kondensierter Flüssigkeit im Druckluftbehälter	Kondensierte Flüssigkeit ablassen
	Niedrige Kompressorkapazität	Befüllungszeit des Druckluftbehälters überprüfen
	Hoher Druckluftverbrauch des versorgten Systems	Druckluftverbrauch senken Kompressor mit höherer Kapazität verwenden
	Luftaustritt im Pneumatiksystem	Pneumatiksystem überprüfen – lose Verbindungen festziehen
	Niedrige Pumpenkapazität	Pumpe reinigen oder austauschen
Pumpenstörung	Pumpe reinigen oder austauschen	
Trocknerstörung	Trockner austauschen	

Betrieb des Kompressors über einen längeren Zeitraum	Luftaustritt im Pneumatiksystem	Pneumatiksystem überprüfen – lose Verbindungen festziehen
	Kolbenring verschlissen	Verschlissenen Kolbenring ersetzen
	Ansaugfilter verschmutzt	Verschmutzten Filter durch neuen Filter ersetzen
	Falsche Funktion des Magnetventils	Lüfter oder Spule reparieren oder austauschen
Kompressor ist laut (Klopfen, Metallgeräusche)	Schäden an Kolbenlager, Kolbenstange, Motorlager	Beschädigtes Lager ersetzen
	Loses (beschädigtes) Dämpferelement (Feder)	Beschädigte Feder auswechseln
Trockner trocknet nicht (Kondenswasser in der Luft)*	Kühlerlüfter defekt	Lüfter austauschen Stromquelle kontrollieren
	Beschädigter Trockner	Trockner austauschen
	Automatischer Kondensatablauf defekt	Reinigen/austauschen
Verschlechterte Trocknungsleistung – Taupunkt bei hohem Druck (Kondenswasser in der Luft)	Niedriger Betriebsdruck	Reduzieren Sie den Luftbedarf, prüfen Sie die Leistung der Druckluftquelle, beheben Sie mögliche Leckagen in Verteilersystem.
	Die Regeneration des Magnetventils funktioniert nicht.	Spulenfunktion überprüfen, bei Bedarf reparieren
		Überprüfen Sie den Zustand des Ventils und reinigen oder ersetzen Sie das Ventil, wenn das Problem weiterhin besteht.
	Luftaufbereitungsdüse verstopft	Düse reinigen oder austauschen (Siehe Produktwartung)
	Kühlerlüfter funktioniert nicht	Stromquelle zum Lüfter überprüfen Beschädigten Lüfter auswechseln
	Kühler verschmutzt	Den Kühler überprüfen und bei Bedarf reinigen
	Schalldämpfer am Ausgang zum Regenerationsventil verstopft	Schalldämpfer überprüfen Reinigen oder ersetzen Sie den Schalldämpfer, wenn der Strömungswiderstand zu hoch ist oder eine starke Verschmutzung vorliegt.
Trockner ist sehr laut	Lüfter beschädigt	Beschädigten Lüfter auswechseln
	Schalldämpfer beschädigt	Den Schalldämpfer ersetzen
	Luft entweicht durch das Ablassventil am Trocknereingang.	Alle Anschlüsse und Verbindungen des Trockners (auch an den Strom) prüfen, den Trocknerbetrieb prüfen, den Arbeitsdruck des Trockners prüfen und defekte Teile ersetzen
Luft entweicht durch das Ablassventil am Trocknereingang	Hoher Arbeitsdruck von der Druckluftquelle	Die Druckeinstellung an der Druckluftquelle überprüfen Verbindung kontrollieren – bei Beschädigung tauschen
	Magnetventil am Trocknereingang funktioniert nicht	Überprüfen Sie den Zustand des Ventils – reinigen oder ersetzen Sie

	das Ventil, wenn das Problem weiterhin besteht.
Hoher Druck im Gerät aufgrund von verstopften Filtern	Überprüfen Sie die internen Filter und die Zubehör-Filterbaugruppen. Reinigen oder ersetzen Sie die verschmutzten Filter.

)*Innenflächen des Luftbehälters gründlich reinigen und die kondensierte Flüssigkeit nach einer Trocknerstörung komplett entfernen

Sobald ein Trocknerdefekt beseitigt ist und alles wieder zusammengebaut wurde, muss der Trockner schnell aufbereitet werden. Dies geschieht am besten, wenn der Kompressor bei einem gleichmäßigen Druck von ca. 1 bar für mindestens 1 Stunde benutzt wird; danach Trockenheit der Druckluft prüfen.



Überprüfen Sie den Feuchtigkeitsgehalt in der Luft, die aus den Luftbehälter strömt (siehe Kapitel „Technische Daten“), um Schäden an den nachfolgend installierten Geräten zu verhindern.

26. REPARATURDIENST

Reparaturen während der Garantielaufzeit und danach sind vom Hersteller, seinem autorisierten Vertreter oder von durch den Lieferanten zugelassenen Servicemitarbeitern durchzuführen.

Achtung!

Der Hersteller behält sich das Recht auf Änderungen der Gerätschaft ohne Vorankündigung vor. Änderungen beeinträchtigen nicht die Funktionen des Geräts.

TABLES DES MATIÈRES

INFORMATIONS IMPORTANTES	151
1. CONFORMITE AUX EXIGENCES DES DIRECTIVES DE L'UNION EUROPEENNE ..	151
2. UTILISATION PRÉVUE.....	151
3. CONTRE-INDICATIONS ET EFFETS SECONDAIRES	151
4. SYMBOLES	151
5. AVERTISSEMENTS.....	152
6. CONDITIONS D'ENTREPOSAGE ET DE TRANSPORT	154
DESCRIPTION DU PRODUIT	155
7. VARIANTES.....	155
8. ACCESSOIRES	156
9. FONCTIONNALITÉ DU PRODUIT	157
DONNÉES TECHNIQUES	164
INSTALLATION	176
10. CONDITIONS D'EMPLOI	176
11. POSITIONNEMENT DU COMPRESSEUR	176
12. RACCORDS PNEUMATIQUES.....	181
13. RACCORDEMENT ELECTRIQUE	183
14. POSITIONNEMENT DU COMPRESSEUR DANS L'ARMOIRE.....	185
15. MISE EN SERVICE	191
16. SCHÉMAS PNEUMATIQUES ET ÉLECTRIQUES.....	192
FONCTIONNEMENT.....	199
17. ALLUMAGE DU COMPRESSEUR	200
18. ARRÊT DU COMPRESSEUR	200
SECHEUR AD.....	201
19. PRINCIPE DE FONCTIONNEMENT	201
20. INTERFACE / PARAMETRES UTILISATEUR.....	202
21. ÉCRANS PRINCIPAUX.....	204
22. INDICATION DES ETATS DE MAINTENANCE ET D'ALARME	206
MAINTENANCE DE L'APPAREIL	209
23. MAINTENANCE DE L'APPAREIL	209
24. ARRÊT PROLONGÉ.....	219
25. MISE AU REBUT DE L'APPAREIL.....	219
DÉPANNAGE	220
26. SERVICE DE REPARATION.....	222
ANNEXE	515
26. REGISTRE D'INSTALLATION	517

INFORMATIONS IMPORTANTES**1. CONFORMITE AUX EXIGENCES DES DIRECTIVES DE L'UNION EUROPEENNE**

Ce produit satisfait aux exigences du Règlement (UE) relatif aux dispositifs médicaux (MDR 2017/745). Par ailleurs, il est sécurisé pour l'utilisation prévue, sous réserve du respect des consignes de sécurité.

2. UTILISATION PRÉVUE

Le compresseur est utilisé comme source d'air comprimé, propre et exempt d'huile pour alimenter des dispositifs médicaux actifs, où les paramètres et les propriétés de l'air comprimé conviennent à l'application spécifique.



L'air provenant du compresseur ne peut pas être utilisé avec des dispositifs de ventilation artificielle des poumons.

Toute utilisation non préconisée du produit est considérée comme une utilisation inappropriée. Le fabricant n'est pas responsable des dommages ou blessures résultant d'une utilisation inappropriée.

3. CONTRE-INDICATIONS ET EFFETS SECONDAIRES

Il n'existe aucune contre-indication, ni aucun effet secondaire répertorié.

4. SYMBOLES

Les symboles et marques suivants sont utilisés dans le manuel d'utilisation, sur l'appareil et son emballage :



Avertissement général



Avertissement - risque d'électrocution



Avertissement - le compresseur est commandé automatiquement



Avertissement - surface chaude



Mise en garde générale



Lisez les instructions d'utilisation



Reportez-vous au manuel d'instructions
















Marquage CE



Dispositif médical



Numéro de série

	Numéro d'article
	Identifiant unique des dispositifs
	Mandataire suisse
	Importateur suisse
	Protection de la mise à la terre
	Fusible
	Étiquette relative à la manipulation sur l'emballage – fragile
	Étiquette relative à la manipulation sur l'emballage – placer ce côté vers le haut
	Étiquette relative à la manipulation sur l'emballage – maintenir au sec
	Étiquette relative à la manipulation sur l'emballage – limites de température
	Étiquette relative à la manipulation sur l'emballage – empilage limité
	Étiquette de l'emballage – matériau recyclable
	Fabricant

5. AVERTISSEMENTS

Le produit est conçu et fabriqué de sorte à ne présenter aucun danger pour l'utilisateur et son environnement lorsqu'il est utilisé de la façon prescrite. Gardez les avertissements suivants à l'esprit.

5.1. Avertissements généraux

LISEZ ATTENTIVEMENT LE MANUEL D'UTILISATION AVANT D'UTILISER L'APPAREIL ET CONSERVEZ-LE POUR RÉFÉRENCE ULTÉRIEURE !

- Le manuel de l'utilisateur permet l'installation, l'utilisation et la maintenance appropriées du produit. L'utilisation stricte de ce manuel vous fournira les informations nécessaires pour une utilisation correcte du produit aux fins prévues.
- Conservez l'emballage d'origine pour le retour éventuel du produit. Seul l'emballage d'origine garantit la protection adéquate de l'appareil pendant le transport. S'il est nécessaire de retourner le produit au cours de la période de garantie, le fabricant n'est nullement responsable des dommages consécutifs à l'utilisation d'un emballage inapproprié.
- La présente garantie ne couvre pas les dommages dus à l'emploi d'accessoires autres que ceux

indiqués ou recommandés par le fabricant.

- Le fabricant garantit uniquement la sécurité, la fiabilité et le fonctionnement du produit, sous réserve que :
 - les installations, les nouveaux réglages, les modifications, les développements et les réparations soient confiés au fabricant ou à un organisme agréé par le fabricant ;
 - le produit soit utilisé conformément au manuel de l'utilisateur.
- Le présent manuel de l'utilisateur présente, au moment de son impression, la configuration du produit, ainsi que sa conformité avec les normes techniques et de sécurité applicables. Le fabricant se réserve tous les droits sur la protection de sa configuration, des méthodes d'installation et des dénominations utilisées.
- La traduction du présent manuel de l'utilisateur est effectuée en conformité avec les meilleures connaissances disponibles. La version slovaque fait foi en cas d'incertitudes.
- Le présent manuel d'utilisateur tient lieu de notice originale. Sa traduction est effectuée en conformité avec les meilleures connaissances disponibles.

5.2. Avertissements généraux de sécurité

Le fabricant a conçu et fabriqué le produit de sorte à minimiser tous les risques lorsqu'il est utilisé correctement et aux fins envisagées. Le fabricant considère qu'il relève de sa responsabilité de décrire les mesures générales de sécurité suivantes.

- L'utilisation du produit doit respecter toutes les lois et réglementations locales en vigueur. L'opérateur et l'utilisateur sont tenus de respecter tous les règlements pertinents dans l'intérêt de l'exécution sûre de leurs travaux.
- Seule l'utilisation des pièces d'origine peut garantir la sécurité du personnel utilisateur et le fonctionnement sans faille du produit lui-même. Seuls les accessoires et pièces mentionnés dans la documentation technique ou explicitement agréés par le fabricant doivent être utilisés.
- L'opérateur doit s'assurer que l'appareil fonctionne de façon correcte et sûre avant chaque utilisation.
- L'utilisateur doit parfaitement comprendre le fonctionnement de l'appareil.
- Évitez d'utiliser le produit dans des environnements présentant un risque élevé d'explosion.
- L'utilisateur doit informer immédiatement le fournisseur de tout problème en lien direct avec l'utilisation de l'appareil.
- Tout incident grave survenu en relation avec l'appareil doit être signalé au fabricant et aux autorités compétentes de l'état membre dans lequel l'utilisateur et / ou le patient réside.

5.3. Avertissements de sécurité concernant la protection face au courant électrique

- L'appareil doit être uniquement branché à une prise correctement installée et mise à la terre.
- Avant de brancher le produit, assurez-vous que la tension et la fréquence indiquées sur le produit sont identiques aux valeurs du réseau électrique.
- Avant de mettre l'appareil en marche, vérifiez la présence d'éventuels dommages sur les conduites pneumatiques raccordées et sur les câbles électriques. Remplacez immédiatement les conduites pneumatiques et les câbles électriques endommagés.
- Débranchez immédiatement le produit du secteur (retirez le cordon d'alimentation de la prise) en cas de situations dangereuses ou de dysfonctionnement technique.
- Pendant les réparations et l'entretien, assurez-vous que :
 - la fiche principale n'est plus raccordée à la prise d'alimentation ;

- la pression est purgée dans le réservoir d'air et les conduits
- Le produit doit uniquement être installé par un technicien qualifié.

6. CONDITIONS D'ENTREPOSAGE ET DE TRANSPORT

Le compresseur est expédié par le fabricant dans un emballage de transport. Cela permet de protéger le produit durant le transport.



Risque d'endommagement des composants pneumatiques.

Le compresseur ne doit être transporté que lorsque tout l'air qu'il contient a été évacué. Avant de déplacer ou de transporter le compresseur, relâchez toute la pression d'air du réservoir et des tuyaux de pression et évacuez le condensat du réservoir et du séparateur de condensat sur le sécheur.



Conservez l'emballage d'origine de l'usine au cas où l'appareil devrait être retourné. Utilisez l'emballage d'origine de l'usine pendant le transport, car il garantit une protection optimale du produit. . S'il est nécessaire de retourner le produit au cours de la période de garantie, le fabricant n'est nullement responsable des dommages consécutifs à l'utilisation d'un emballage inapproprié.



Le compresseur est expédié en position verticale et doit être sécurisé à l'aide de sangles de transport.



Protégez le compresseur des environnements humides et sales, ainsi que des températures extrêmes pendant le transport et le stockage. Ne le conservez pas à proximité de substances chimiques volatiles.



Dans le cas contraire, veuillez éliminer les matériaux d'emballage d'origine en respectant les règles en vigueur en matière d'environnement. Le carton de l'emballage peut être recyclé avec les produits à base de papier.



Il est interdit de stocker ou d'expédier l'équipement dans des conditions autres que celles spécifiées ci-dessous.

6.1. Conditions ambiantes

Les produits ne peuvent être stockés et transportés que dans des véhicules exempts de toute trace de substances chimiques volatiles dans les conditions climatiques suivantes :

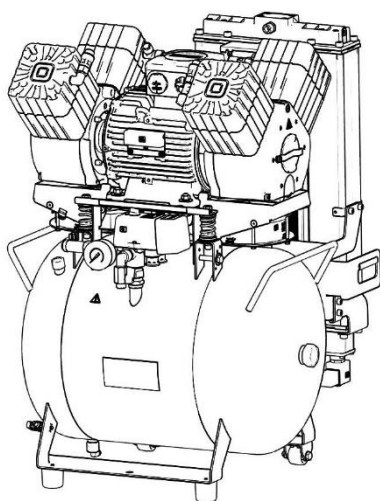
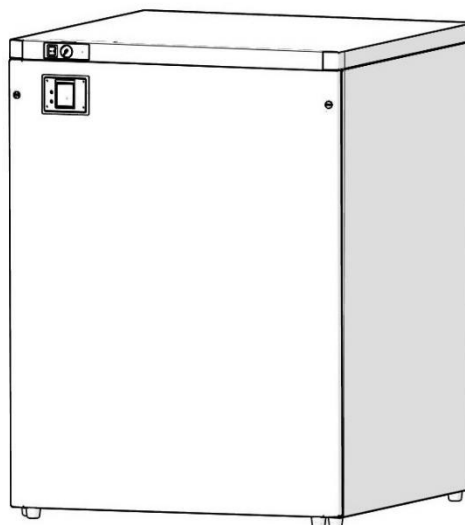
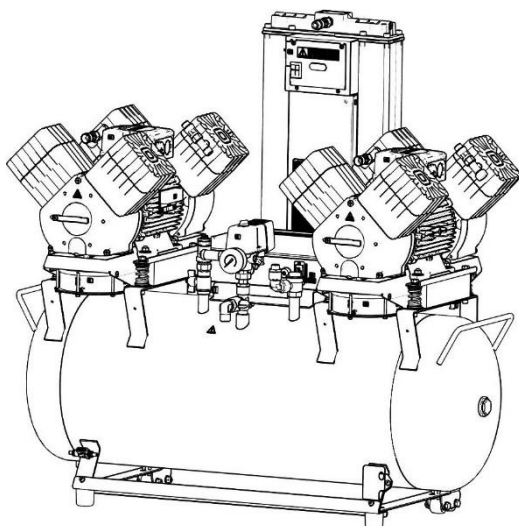
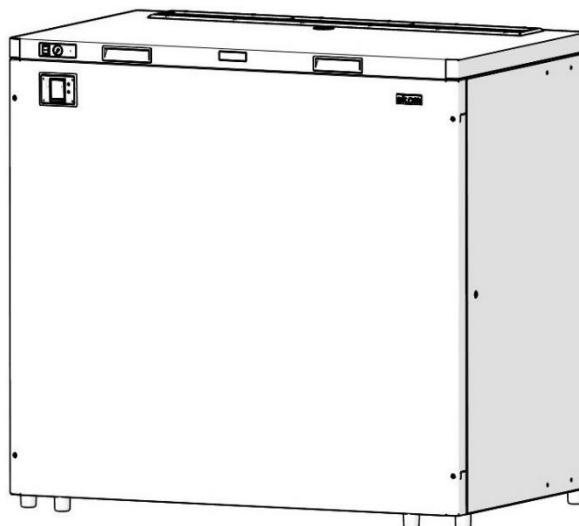
Température	-25 °C à +55 °C
Humidité relative	90 % max. (sans condensation)

DESCRIPTION DU PRODUIT**7. VARIANTES**

Le compresseur est fabriqué en fonction de son utilisation prévue dans les variantes suivantes :

DK50 4VR/50/M Compresseur avec sécheur par adsorption
DK50 4VR/50 S/M Compresseur d'armoire avec sécheur par adsorption
Armoire S50R Elle diminue le niveau de bruit du compresseur.

DK50 2x4VR/110/M Compresseur avec sécheur par adsorption
DK50 2x4VR/110S/M Compresseur d'armoire avec sécheur par adsorption
Armoire S110R Elle diminue le niveau de bruit du compresseur.

**DK50 4VR/50/M****S50R**
DK50 4VR/50S/M**DK50 2x4VR/110/M****S110R**
DK50 2x4VR/110S/M

8. ACCESSOIRES

Les accessoires non inclus dans la commande standard doivent être commandés séparément !

Ensemble de filtres de sortie d'air comprimé

Le compresseur peut être équipé d'un ensemble de filtres, si spécifié. L'ensemble de filtre peut être équipé d'un régulateur de pression de l'air.



Si un autre niveau de filtration d'air est nécessaire, cette demande doit être convenue avec le fournisseur et clairement mentionnée lors de la commande.

Modèle	Utilisation	Niveau de filtration (en µm)	Numéro d'article
FS 30F	DK50 4VR/50/M	1	604014119-014
FS 30M		1+0,1	604014119-015
FS 30S		1+0,01	604014119-017
FS 30A		1+0,01+A**	604014119-018*
FS 40F	DK50 2x4VR/110/M	1	604014119-000
FS 40M		1+0,1	604014119-004
FS 40S		1+0,01	604014119-024
FS 40AH		1+AC+HC (0,01)	604014119-005

***) A – Sous-microfiltre avec charbon actif

*) - ensemble **FS 30A**, en configuration standard, ne peut être combiné avec un régulateur de pression sur les articles DK50 4VR/50/M ; veuillez contacter votre fournisseur si un tel ensemble vous intéresse (avec régulateur)

Ensemble régulateur de l'ensemble de filtre

Les compresseurs peuvent être équipés d'un régulateur de pression sur la sortie d'air comprimé, si spécifié. Le régulateur doit être choisi en fonction de l'ensemble de filtres ou bien séparément. Il doit assurer une pression constante au niveau de la sortie.

Modèle	Utilisation	Numéro d'article
Régulateur, complet (vers l'ensemble du filtre)	DK50 4VR/50/M	604014130-000
REG12 (séparé)		447000001-088
Régulateur, complet REG15	DK50 2x4VR/110/M	604014125-000 447000001-243

Supports d'ensemble de filtre



Un support adapté doit être commandé pour chaque ensemble de filtre.

Modèle	Utilisation	Numéro d'article
Support de montage sur compresseur	DK50 4VR/50/M	603014177-000
Support de montage sur compresseur	DK50 2x4VR/110/M	604014131-000
Support de montage mural		603014120-000

Modules 3KOM pour le contrôle de plusieurs compresseurs en mode maître-esclave

Un module de contrôle 3KOM peut être commandé pour gérer le fonctionnement de 2 ou 3 compresseurs, avec la même plage de pression, identiques en mode maître-esclave. Le contrôleur du module prend en charge la fonction de commutation du compresseur lors de son fonctionnement. Le module de contrôle peut être commandé avec les configurations indiquées dans le tableau suivant.

Modèle de compresseur	Schéma de contrôle	Numéro d'article de la trousse d'installation	Sortie d'air du système
DK50 4VR/50/M	1+1	603002152-000	G3/4"
DK50 2x4VR/110/M	1+1+1		

Prise de liaison équipotentielle

La prise permet une liaison équipotentielle.

Modèle	Utilisation	Nom	Numéro d'article
POAG-KBT6-EC	DK50 4VR/50S/M	Connecteur de prise secteur	033400075-000
FLEXI-S/POAG-HK6	DK50 2x4VR/110S/M	Conducteur (1 m)	034110083-000

9. FONCTIONNALITÉ DU PRODUIT

9.1. Compresseur avec sécheur par adsorption

(Fig. 1, Fig. 2) La pompe à air du compresseur (1) aspire l'air à travers le filtre d'entrée (8) et le comprime à travers un clapet anti-retour (3) et dans un collecteur, à partir duquel il est acheminé vers le sécheur par adsorption (9) via un tuyau de raccordement. Entre l'entrée et le module de séchage, l'air est d'abord refroidi dans le refroidisseur intégré (17) puis circule à travers le séparateur de condensat (24), entrant dans la chambre active avec adsorbant (19) où l'air est séché. Une partie de l'air est introduite dans la deuxième chambre de régénération, où celui-ci est ensuite utilisé pour éliminer l'humidité de l'adsorbant. La chambre active s'intervertit de façon cyclique. L'air sec passe ensuite par le clapet anti-retour (3) vers le réservoir d'air (2).

* En ce qui concerne les compresseurs DK50 4VR/50/M, le collecteur avec clapet anti-retour n'est pas utilisé et l'air est acheminé directement vers le sécheur d'air.

9.2. Armoire du compresseur

(Fig. 4) L'armoire insonorisée assure le capotage compact du compresseur et la circulation suffisante de l'air de refroidissement. Grâce à son design, elle peut prendre place dans le bureau d'un dentiste comme meuble. Le ventilateur (10) sous l'agrégat d'un compresseur permet le refroidissement du compresseur et fonctionne en même temps qu'un moteur du compresseur. Après une utilisation prolongée, la température à l'intérieur de l'armoire peut monter au-delà de 40 °C, ce qui fait automatiquement démarrer le ventilateur de refroidissement. Après le refroidissement à environ 32 °C de l'armoire, le ventilateur s'arrête automatiquement. L'écran du sécheur (33) est situé sur le panneau avant de l'armoire.



Risque de surchauffe du compresseur.

Assurez-vous que rien n'entrave la libre circulation de l'air en dessous et autour du compresseur. Ne couvrez jamais la sortie d'air chaud située sur la partie supérieure arrière du boîtier.

En cas d'installation du compresseur sur un plancher mou, notamment un tapis, créez un espace vide entre la base et le plancher ou entre l'armoire et le plancher, par exemple en calant les pieds avec des supports durs.

Description des figures 1 à 3

1	Agrégat du compresseur	22	Électrovanne de régénération
2	Réservoir d'air	23	Ventilateur du sécheur
3	Clapet anti-retour	24	Séparateur du condensat
4	Pressostat	25	Électrovanne de purge du condensat
5	Soupape de sûreté	26	*Écran
6	Manomètre	27	Sortie d'air
7	Soupape de vidange	28	Ventilateur de l'armoire
8	Filtre d'entrée	29	Manomètre de l'armoire
9	Sécheur par adsorption	30	Commutateur
10	Ventilateur du compresseur	31	Connecteur de l'armoire
11	Cuve de collecte de condensat	32	Tuyau du manomètre de pression
12	Support magnétique	33	Écran de l'armoire
13	Sortie d'air comprimé	34	Ressorts à gaz de l'armoire
14	Boîtier électrique / armoire de distribution	35	Chariot de positionnement
15	***Le capteur de point de rosée	36	Cordon d'alimentation
16	Module de sortie	37	**Bague
17	Module de refroidissement	38	Sortie du séparateur de condensats et des vannes de régénération
18	Panneau électrique	39	Roulettes
19	Chambre du sécheur	40	Butée murale
20	Module du clapet d'admission	41	Console de support
21	Entrée d'air comprimé	42	Poignée

* La position (26) s'applique au modèle DK50 4VR/50/M, DK50 2x4VR/110/M sans armoire ; la position (26) est un simple couvercle dans le cas du DK50 4VR/50 S/M, DK50 2x4VR/110 S/M avec armoire.

** Pour le modèle avec armoire, le câble connecté à l'écran (33) du panneau avant de l'armoire passe par la bague universelle (37).

*** S'applique au modèle avec capteur de point de rosée.

Fig. 1: DK50 4VR/50/M - Compresseur avec sécheur par adsorption

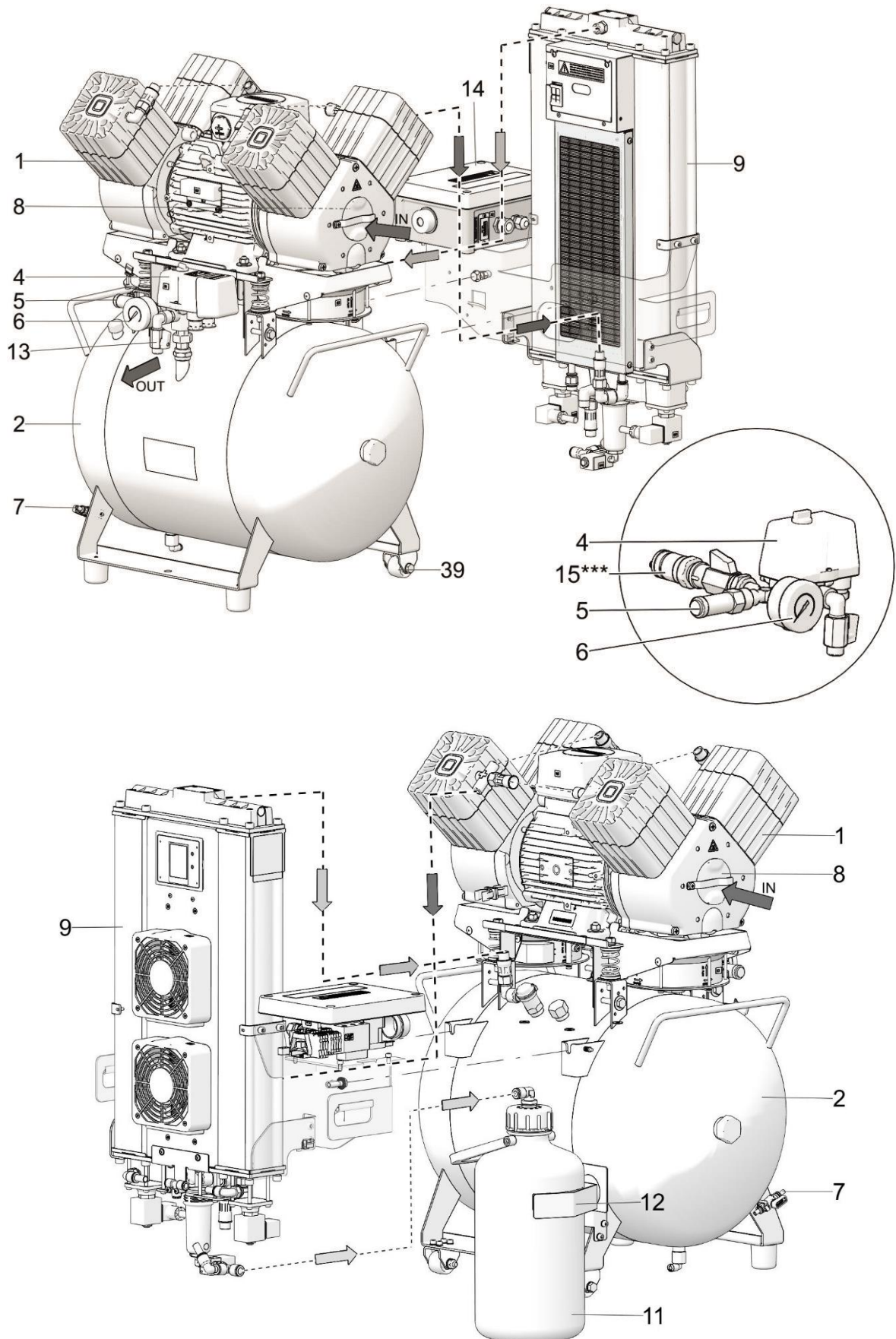
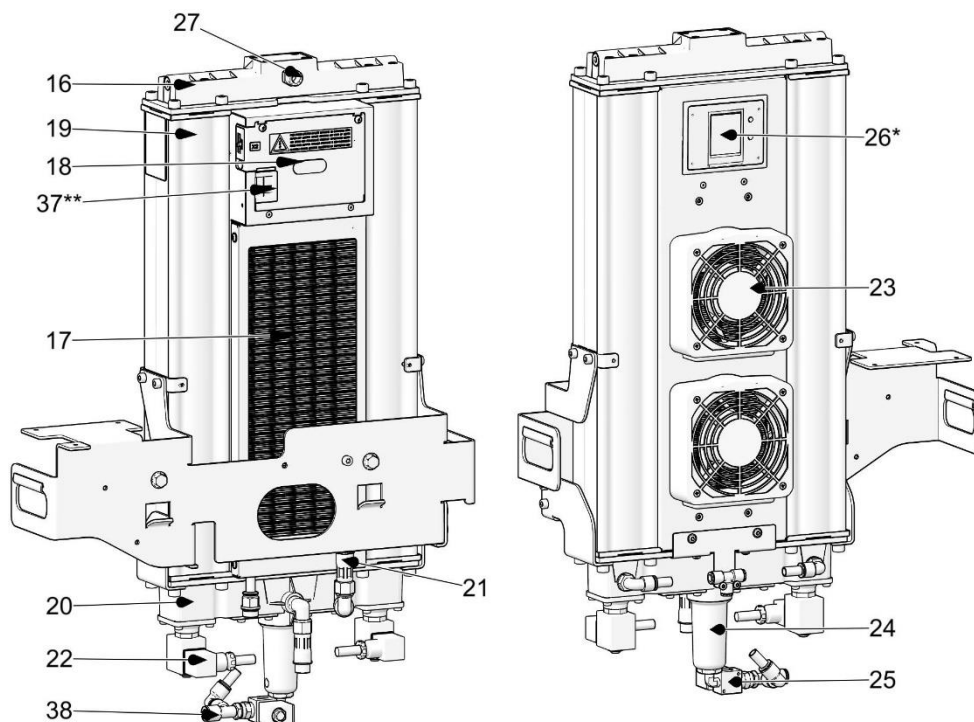
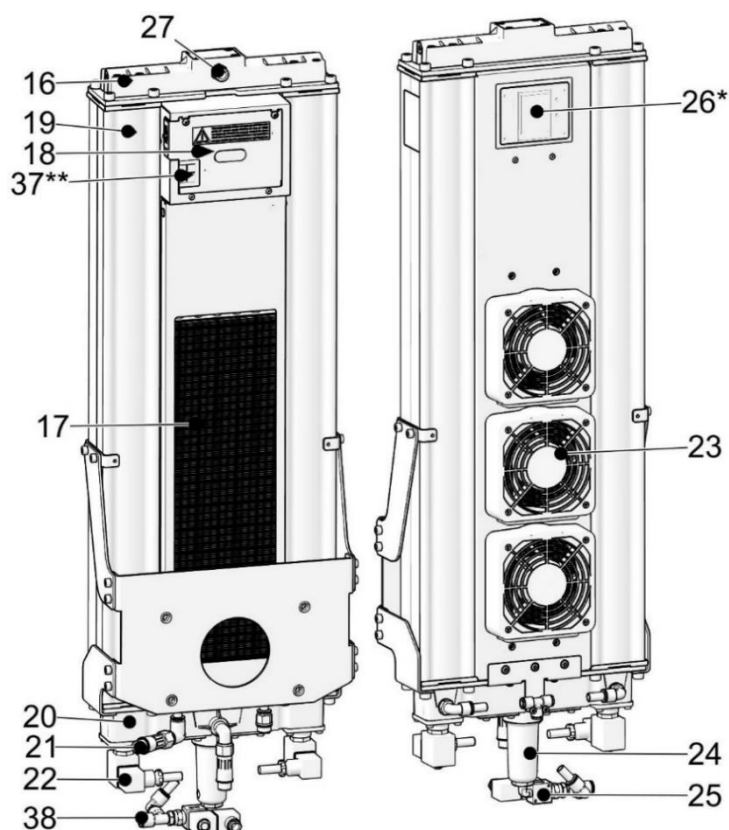


Fig. 3: Sécheur par adsorption



ADM 280/50

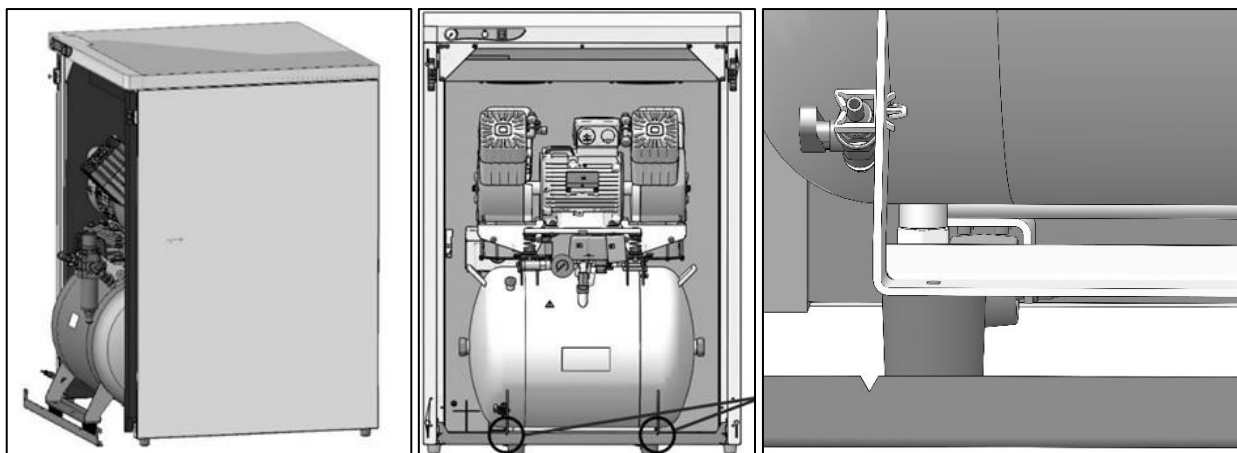
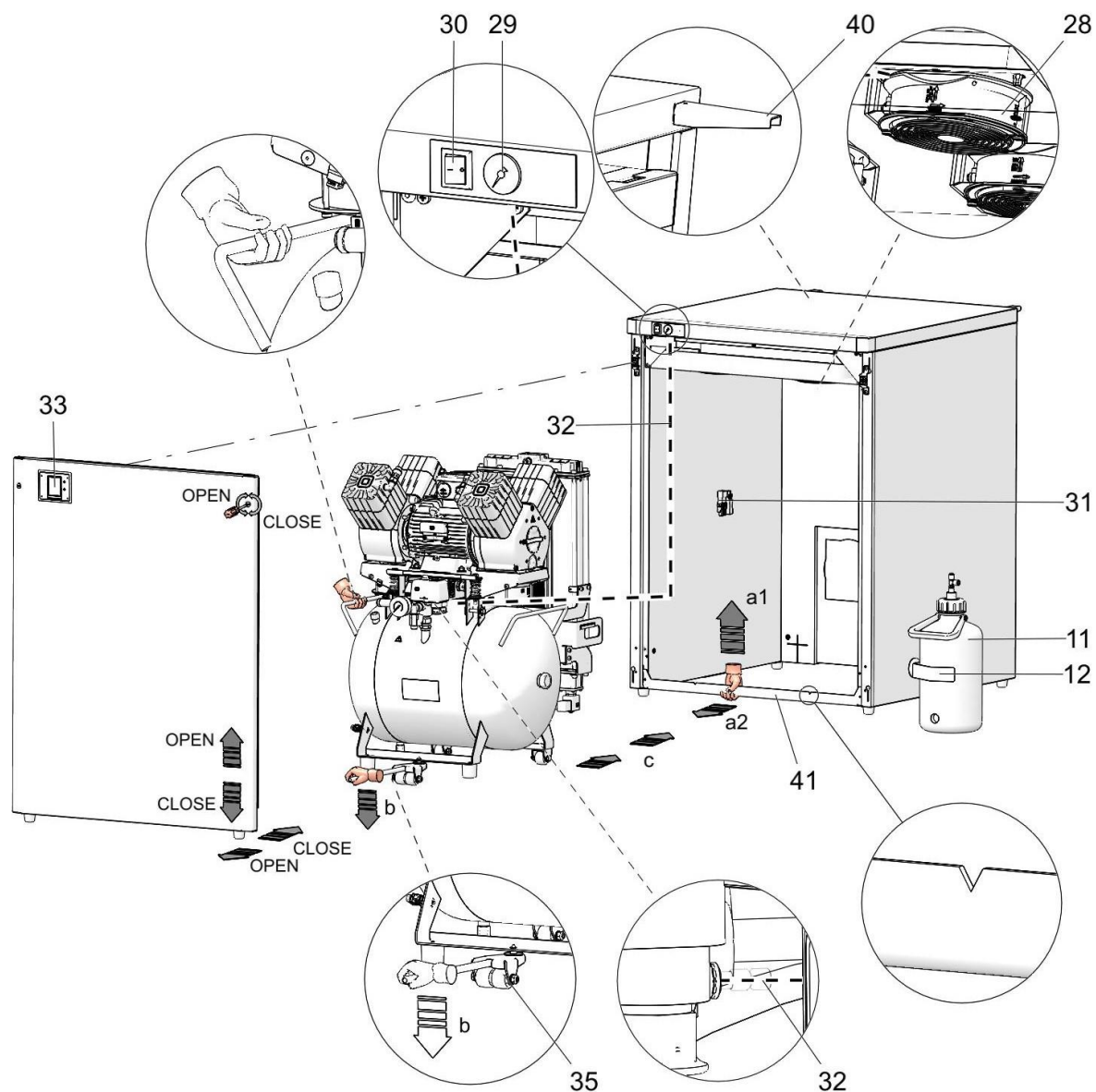


ADM 500/110

* La position (26) s'applique au modèle DK50 4VR/50/M, DK50 2x4VR/110/M sans armoire ; la position 2(6) est un simple couvercle dans le cas du DK50 4VR/50 S/M, DK50 2x4VR/110 S/M avec armoire.

** Pour le modèle avec armoire, le câble connecté à l'écran (33) du panneau avant de l'armoire passe par la bague universelle (37).

Fig. 4: Armoire



A – DK50 4VR/50S/M

DONNÉES TECHNIQUES

Les compresseurs sont conçus pour des environnements intérieurs secs et ventilés présentant les conditions suivantes :

Température	+5°C à +40°C
Humidité relative	70% maximum

Pression de travail 6 – 8 bar		DK50 4VR/50/M	DK50 4VR/50 S/M
Tension nominale, Fréquence ^{a)}	V, Hz	3x400, 50	3x400, 50
Capacité à 6 bar (FAD)	l/min	235	235
Pression de travail ^{b)}	bar	6,0 – 8,0	6,0 – 8,0
Courant nominal	A	5,4	5,8
Puissance du moteur	kW	2.2	2.2
Volume du réservoir d'air	l	50	50
Qualité de l'air - filtrage	µm	-	-
Pression maximale de fonctionnement de la soupape de sûreté	bar	9,0	9,0
Niveau de bruit à 5 bar (L _{pA})	dB	≤ 73,5	≤ 56,0
Mode de fonctionnement	%	S1-100	S1-100
Performance de séchage PDP à 7 bar	°C	≤ -20	≤ -20
Alerte de faible pression du sèche-linge	bar	< 3	< 3
Alerte de pression élevée du sèche-linge	bar	> 9	> 9
Alerte de point de rosée élevé du sèche-linge	°C	> -20	> -20
Temps de remplissage du réservoir d'air de 0 à 7 bar	s	85	85
Dimensions (nettes) L x l x h	mm	580x590x815	750x780x1015
Poids net ^{c)}	kg	95	151
Classification conforme à la norme EN 60601-1		Classe I.	

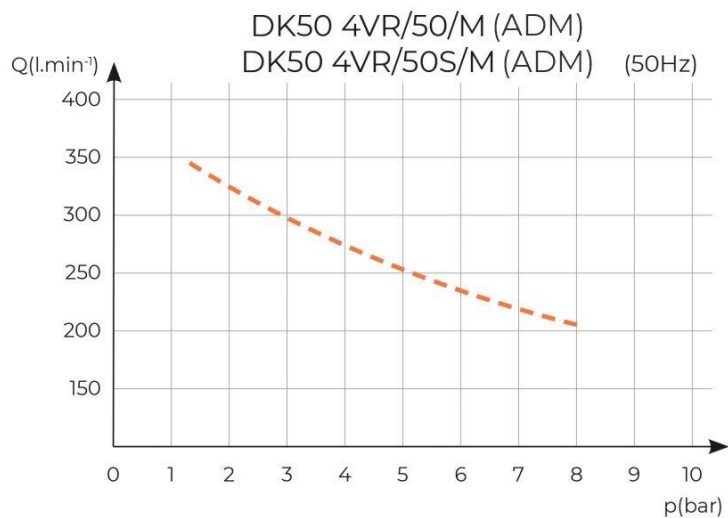
^{a)} Précisez la version du compresseur lors de la commande

^{b)} Consultez toute autre gamme de pression avec le fournisseur

^{c)} Le poids est indicatif et s'applique uniquement au produit sans accessoires

^{d)} S'applique à des températures ambiantes de <30° C PDP – point de rosée sous pression

Influence de la puissance du compresseur sur la pression de travail



Pression de travail 6 – 8 bar		DK50 4VR/50/M	DK50 4VR/50 S/M
Tension nominale, Fréquence ^{a)}	V, Hz	3x400, 50/60	3x400, 50
Capacité à 6 bar (FAD)	l/min	225	225
Pression de travail ^{b)}	bar	6,0 – 8,0	6,0 – 8,0
Courant nominal	A	5,4	5,8
Puissance du moteur	kW	2.2	2.2
Volume du réservoir d'air	l	50	50
Qualité de l'air - filtrage	µm	-	-
Pression maximale de fonctionnement de la soupape de sûreté	bar	9,0	9,0
Niveau de bruit à 5 bar (L _{pA})	dB	≤ 73,5	≤ 56,0
Mode de fonctionnement	%	S1-100	S1-100
Performance de séchage PDP à 7 bar	°C	≤ -40	≤ -40
Alerte de faible pression du sèche-linge	bar	< 3	< 3
Alerte de pression élevée du sèche-linge	bar	> 9	> 9
Alerte de point de rosée élevé du sèche-linge	°C	> -40	> -40
Temps de remplissage du réservoir d'air de 0 à 7 bar	s	90	90
Dimensions (nettes) L x l x h	mm	580x590x815	750x780x1015
Poids net ^{c)}	kg	95	151
Classification conforme à la norme EN 60601-1		Classe I.	

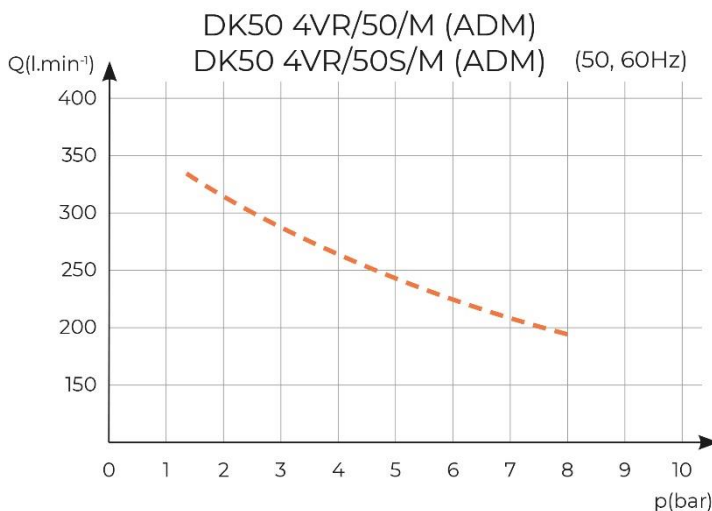
^{a)} Précisez la version du compresseur lors de la commande

^{b)} Consultez toute autre gamme de pression avec le fournisseur

^{c)} Le poids est indicatif et s'applique uniquement au produit sans accessoires

^{d)} S'applique à des températures ambiantes de <30° C PDP – point de rosée sous pression

Influence de la puissance du compresseur sur la pression de travail



Pression de travail 8 – 10 bar		DK50 4VR/50/M	DK50 4VR/50 S/M
Tension nominale, Fréquence ^{a)}	V, Hz	3x400, 50	3x400, 50
Capacité à 8 bar (FAD)	l/min	195	195
Pression de travail ^{b)}	bar	8,0 – 10,0	8,0 – 10,0
Courant nominal	A	5,4	5,9
Puissance du moteur	kW	2.2	2.2
Volume du réservoir d'air	l	50	50
Qualité de l'air - filtrage	µm	-	-
Pression maximale de fonctionnement de la soupape de sûreté	bar	12,0	12,0
Niveau de bruit à 5 bar (L _{pA})	dB	≤ 73,5	≤ 56,0
Mode de fonctionnement	%	S1-100	S1-100
Performance de séchage PDP à 7 bar	°C	≤ -20	≤ -20
Alerte de faible pression du sèche-linge	bar	< 3	< 3
Alerte de pression élevée du sèche-linge	bar	> 11	> 11
Alerte de point de rosée élevé du sèche-linge	°C	> -20	> -20
Temps de remplissage du réservoir d'air de 0 à 7 bar	s	105	105
Dimensions (nettes) L x l x h	mm	580x590x815	750x780x1015
Poids net ^{c)}	kg	95	151
Classification conforme à la norme EN 60601-1		Classe I.	

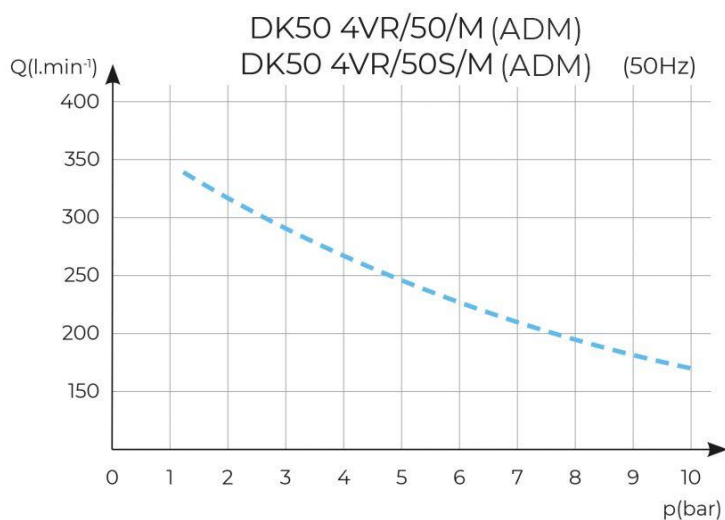
^{a)} Précisez la version du compresseur lors de la commande

^{b)} Consultez toute autre gamme de pression avec le fournisseur

^{c)} Le poids est indicatif et s'applique uniquement au produit sans accessoires

^{d)} S'applique à des températures ambiantes de <30° C PDP – point de rosée sous pression

Influence de la puissance du compresseur sur la pression de travail



Pression de travail 8 – 10 bar		DK50 4VR/50/M	DK50 4VR/50 S/M
Tension nominale, Fréquence ^{a)}	V, Hz	3x400, 50	3x400, 50
Capacité à 8 bar (FAD)	l/min	190	190
Pression de travail ^{b)}	bar	8,0 – 10,0	8,0 – 10,0
Courant nominal	A	5,4	5,9
Puissance du moteur	kW	2.2	2.2
Volume du réservoir d'air	l	50	50
Qualité de l'air - filtrage	µm	-	-
Pression maximale de fonctionnement de la soupape de sûreté	bar	12,0	12,0
Niveau de bruit à 5 bar (L _{pA})	dB	≤ 73,5	≤ 56,0
Mode de fonctionnement	%	S1-100	S1-100
Performance de séchage PDP à 7 bar	°C	≤ -40	≤ -40
Alerte de faible pression du sèche-linge	bar	< 3	< 3
Alerte de pression élevée du sèche-linge	bar	> 11	> 11
Alerte de point de rosée élevé du sèche-linge	°C	> -40	> -40
Temps de remplissage du réservoir d'air de 0 à 7 bar	s	105	105
Dimensions (nettes) L x l x h	mm	580x590x815	750x780x1015
Poids net ^{c)}	kg	95	151
Classification conforme à la norme EN 60601-1		Classe I.	

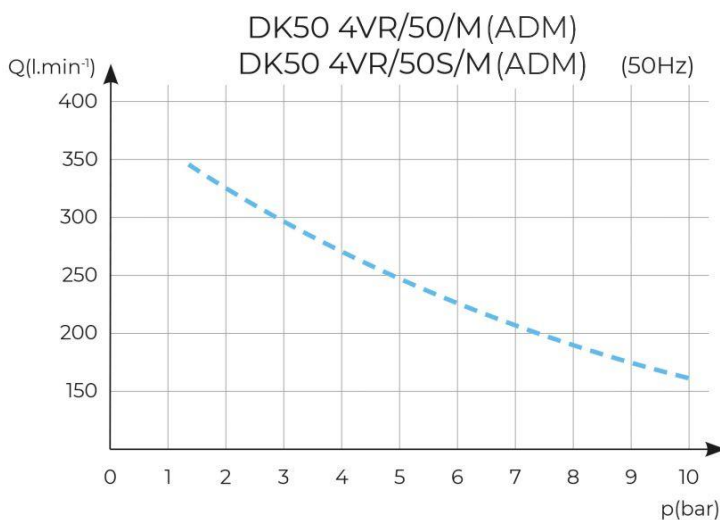
^{a)} Précisez la version du compresseur lors de la commande

^{b)} Consultez toute autre gamme de pression avec le fournisseur

^{c)} Le poids est indicatif et s'applique uniquement au produit sans accessoires

^{d)} S'applique à des températures ambiantes de <30° C PDP – point de rosée sous pression

Influence de la puissance du compresseur sur la pression de travail



Pression de travail 6 – 8 bar		DK50 2x4VR/110/M	DK50 2x4VR/110S/M
Tension nominale, Fréquence ^{a)}	V, Hz	3x400V, 50Hz	3x400V, 50Hz
Capacité à 6 bar (FAD)	l/min	470	470
Pression de travail ^{b)}	bar	6,0 – 8,0	6,0 – 8,0
Courant nominal	A	10,8	11,2
Puissance du moteur	kW	2x2.2	2x2.2
Volume du réservoir d'air	l	110	110
Qualité de l'air - filtrage	µm	-	-
Pression maximale de fonctionnement de la soupape de sûreté	bar	9,0	9,0
Niveau de bruit à 5 bar (L _{pA})	dB	≤ 77,5	≤ 62,0
Mode de fonctionnement	%	S1-100	S1-100
Performance de séchage PDP à 7 bar	°C	≤ - 20	≤ - 20
Alerte de faible pression du sèche-linge	bar	< 3	< 3
Alerte de pression élevée du sèche-linge	bar	> 9	> 9
Alerte de point de rosée élevé du sèche-linge	°C	> -20	> -20
Temps de remplissage du réservoir d'air de 0 à 7 bar	s	95	95
Dimensions (nettes) L x l x h	mm	1085x675x1050	1260x830x1205
Poids net ^{c)}	kg	168	258
Classification conforme à la norme EN 60601-1		Classe I.	

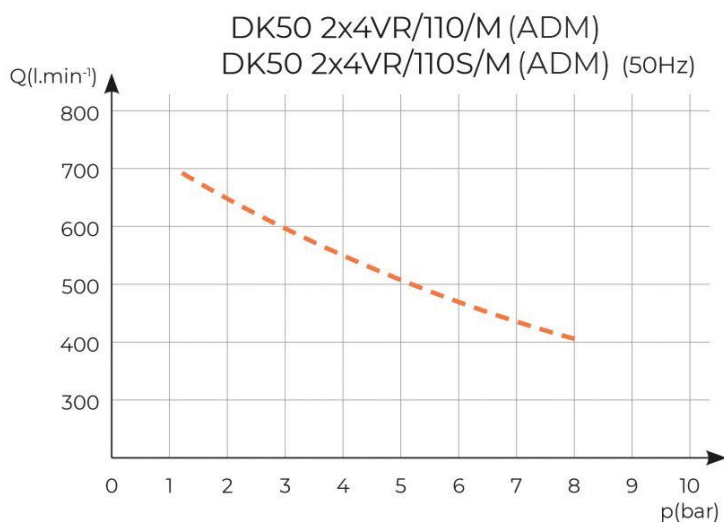
^{a)} Précisez la version du compresseur lors de la commande

^{b)} Consultez toute autre gamme de pression avec le fournisseur

^{c)} Le poids est indicatif et s'applique uniquement au produit sans accessoires

^{d)} S'applique à des températures ambiantes de <30° C PDP – point de rosée sous pression

Influence de la puissance du compresseur sur la pression de travail



Pression de travail 6 – 8 bar		DK50 2x4VR/110/M	DK50 2x4VR/110S/M
Tension nominale, Fréquence ^{a)}	V, Hz	3x400V, 50Hz	3x400V, 50Hz
Capacité à 6 bar (FAD)	l/min	450	450
Pression de travail ^{b)}	bar	6,0 – 8,0	6,0 – 8,0
Courant nominal	A	10,8	11,2
Puissance du moteur	kW	2x2.2	2x2.2
Volume du réservoir d'air	l	110	110
Qualité de l'air - filtrage	µm	-	-
Pression maximale de fonctionnement de la soupape de sûreté	bar	9,0	9,0
Niveau de bruit à 5 bar (L _{pA})	dB	≤ 77,5	≤ 62,0
Mode de fonctionnement	%	S1-100	S1-100
Performance de séchage PDP à 7 bar	°C	≤ - 40	≤ - 40
Alerte de faible pression du sèche-linge	bar	< 3	< 3
Alerte de pression élevée du sèche-linge	bar	> 9	> 9
Alerte de point de rosée élevé du sèche-linge	°C	> -40	> -40
Temps de remplissage du réservoir d'air de 0 à 7 bar	s	100	100
Dimensions (nettes) L x l x h	mm	1085x675x1050	1260x830x1205
Poids net ^{c)}	kg	168	258
Classification conforme à la norme EN 60601-1		Classe I.	

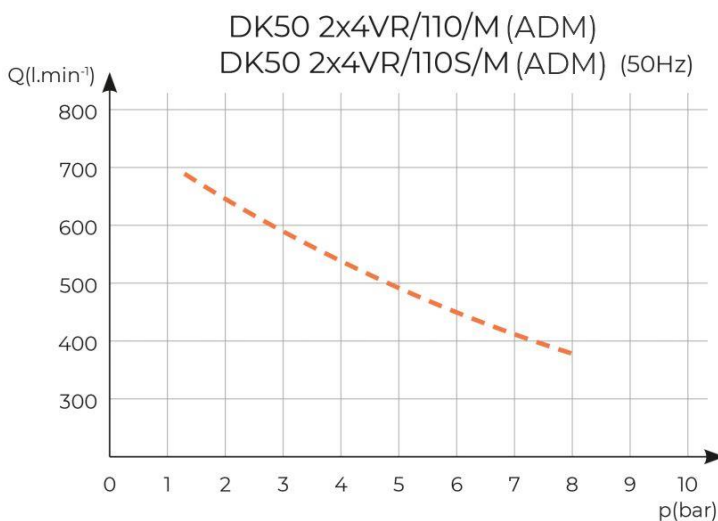
^{a)} Précisez la version du compresseur lors de la commande

^{b)} Consultez toute autre gamme de pression avec le fournisseur

^{c)} Le poids est indicatif et s'applique uniquement au produit sans accessoires

^{d)} S'applique à des températures ambiantes de <30° C PDP – point de rosée sous pression

Influence de la puissance du compresseur sur la pression de travail



Pression de travail 8 – 10 bar		DK50 2x4VR/110/M	DK50 2x4VR/110S/M
Tension nominale, Fréquence ^{a)}	V, Hz	3x400V, 50Hz	3x400V, 50Hz
Capacité à 8 bar (FAD)	l/min	395	395
Pression de travail ^{b)}	bar	8,0 – 10,0	8,0 – 10,0
Courant nominal	A	10,3	10,8
Puissance du moteur	kW	2x2.2	2x2.2
Volume du réservoir d'air	l	110	110
Qualité de l'air - filtrage	µm	-	-
Pression maximale de fonctionnement de la soupape de sûreté	bar	12,0	12,0
Niveau de bruit à 5 bar (L _{pA})	dB	≤ 77,5	≤ 62,0
Mode de fonctionnement	%	S1-100	S1-100
Performance de séchage PDP à 7 bar	°C	≤ - 20	≤ - 20
Alerte de faible pression du sèche-linge	bar	< 3	< 3
Alerte de pression élevée du sèche-linge	bar	> 11	> 11
Alerte de point de rosée élevé du sèche-linge	°C	> -20	> -20
Temps de remplissage du réservoir d'air de 0 à 7 bar	s	115	115
Dimensions (nettes) L x l x h	mm	1085x675x1050	1260x830x1205
Poids net ^{c)}	kg	168	258
Classification conforme à la norme EN 60601-1		Classe I.	

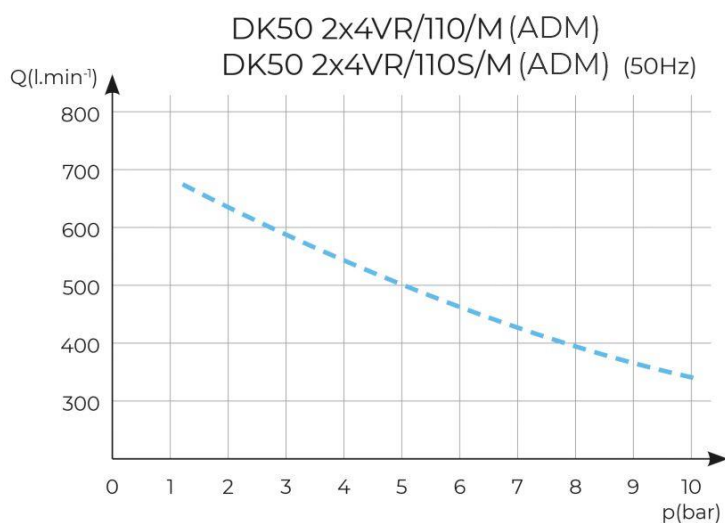
^{a)} Précisez la version du compresseur lors de la commande

^{b)} Consultez toute autre gamme de pression avec le fournisseur

^{c)} Le poids est indicatif et s'applique uniquement au produit sans accessoires

^{d)} S'applique à des températures ambiantes de <30° C PDP – point de rosée sous pression

Influence de la puissance du compresseur sur la pression de travail



Pression de travail 8 – 10 bar		DK50 2x4VR/110/M	DK50 2x4VR/110S/M
Tension nominale, Fréquence ^{a)}	V, Hz	3x400V, 50Hz	3x400V, 50Hz
Capacité à 8 bar (FAD)	l/min	380	380
Pression de travail ^{b)}	bar	8,0 – 10,0	8,0 – 10,0
Courant nominal	A	10,3	10,8
Puissance du moteur	kW	2x2.2	2x2.2
Volume du réservoir d'air	l	110	110
Qualité de l'air - filtrage	µm	-	-
Pression maximale de fonctionnement de la soupape de sûreté	bar	12,0	12,0
Niveau de bruit à 5 bar (L _{pA})	dB	≤ 77,5	≤ 62,0
Mode de fonctionnement	%	S1-100	S1-100
Performance de séchage PDP à 7 bar	°C	≤ - 40	≤ - 40
Alerte de faible pression du sèche-linge	bar	< 3	< 3
Alerte de pression élevée du sèche-linge	bar	>11	> 11
Alerte de point de rosée élevé du sèche-linge	°C	> -40	> -40
Temps de remplissage du réservoir d'air de 0 à 7 bar	s	120	120
Dimensions (nettes) L x l x h	mm	1085x675x1050	1260x830x1205
Poids net ^{c)}	kg	168	258
Classification conforme à la norme EN 60601-1		Classe I.	

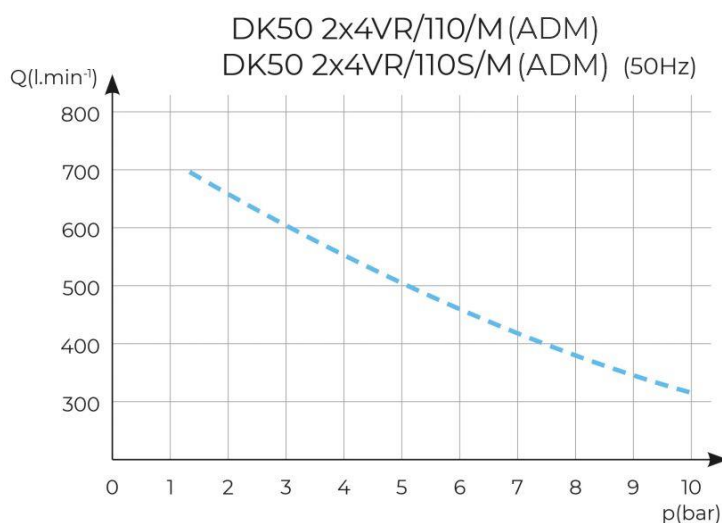
^{a)} Précisez la version du compresseur lors de la commande

^{b)} Consultez toute autre gamme de pression avec le fournisseur

^{c)} Le poids est indicatif et s'applique uniquement au produit sans accessoires

^{d)} S'applique à des températures ambiantes de <30° C PDP – point de rosée sous pression

Influence de la puissance du compresseur sur la pression de travail



Correction de la capacité de la DAL en fonction de l'altitude

La capacité donnée sous forme de DAL (« Distribution d'air libre ») s'applique aux conditions suivantes :

Altitude	0 m ADNMM	Température	20 °C
Pression atmosphérique	101 325 Pa	Humidité relative	0 %

Pour calculer la capacité du compresseur DAL en fonction de l'altitude, il est nécessaire d'appliquer un facteur de correction selon le tableau suivant :

Altitude [m ADNMM]	0 - 1 500	1 501 - 2 500	2 501 – 3 500	3 501 – 4 500
Facteur de correction de la DAL	1	0,80	0,71	0,60

Clarté de la compatibilité électromagnétique (cem)

Dé Le dispositif médical nécessite une précaution particulière concernant la compatibilité électromagnétique (CEM) et doivent être installés et mis en service conformément aux informations CEM fournies ci-dessous.

Directives et déclaration du fabricant - émissions électromagnétiques		
Conformément à IEC 60601-1-2:2014/AMD1:2020 - Appareils électromédicaux – Partie 1-2: Règles générales pour la sécurité de base et les performances essentielles – Norme collatérale: Perturbations électromagnétiques - Exigences et essais		
L'appareil est destiné à être utilisé dans l'environnement électromagnétique spécifié ci-dessous. Le client ou l'utilisateur de l'appareil doit s'assurer qu'il est utilisé dans un tel environnement.		
Test d'émissions	Conformité	Environnement électromagnétique - directives
Émissions RF CISPR 11	Groupe 1	L'appareil utilise l'énergie RF uniquement pour son fonctionnement interne. Par conséquent, les émissions RF sont très faibles et ne sont pas susceptibles de provoquer des interférences avec l'équipement électronique se trouvant à proximité.
Émissions RF CISPR 11	Classe B	L'appareil est adapté à une utilisation dans toutes les installations, y compris les installations résidentielles et celles directement raccordées au réseau public d'alimentation basse tension qui alimente les bâtiments utilisés à des fins résidentielles.
Émissions d'harmoniques CEI 61000-3-2	Classe A	
Variations de tension / émissions flicker CEI 61000-3-3	L'appareil ne devrait pas créer de flickers, étant donné que le débit du courant est à peu près constant après la mise en marche.	


Directives et déclaration du fabricant - immunité électromagnétique

Conformément à IEC 60601-1-2:2014/AMD1:2020 - Appareils électromédicaux – Partie 1-2: Règles générales pour la sécurité de base et les performances essentielles – Norme collatérale: Perturbations électromagnétiques - Exigences et essais

L'appareil est destiné à être utilisé dans l'environnement électromagnétique spécifié ci-dessous. Le client ou l'utilisateur de l'appareil doit s'assurer qu'il est utilisé dans un tel environnement.

Test d'immunité	Niveau de test CEI 60601-1-2	Niveau de conformité	Environnement électromagnétique - directives
Décharge électrostatique (ESD) CEI 61000-4-2	± 8 kV contact ± 15 kV air	± 8 kV contact ± 15 kV air	Les sols doivent être en bois, béton ou carreaux de céramique. Si les sols sont recouverts d'un matériau synthétique, l'humidité relative doit être supérieure ou égale à 30 %.
Transitoires électriques rapides / en salves CEI 61000-4-4	± 2 kV pour les lignes d'alimentation ± 1 kV pour les lignes d'entrée / sortie	± 2 kV Fréquence de répétition de 100 kHz Appliqué au raccordement au réseau électrique	La qualité de l'alimentation doit être celle d'un environnement commercial ou hospitalier typique.
Surtension CEI 61000-4-5	±1 kV mode différentiel ±2 kV mode commun	±1 kV L-N ±2 kV L-PE; N-PE Appliqué au raccordement au réseau électrique	La qualité de l'alimentation doit être celle d'un environnement commercial ou hospitalier typique.
Creux de tension, courte interruption, et variations de tension sur les lignes d'entrée d'alimentation électrique CEI 60601-4-11	U _T =0%, 0,5 cycle (à 0, 45, 90, 135, 180, 225, 270 et 315°) U _T =0%, 1 cycle U _T =70% 25/30 cycles (à 0°) U _T =0%, 250/300 cycles	U _T =>95%, 0,5 cycle (à 0, 45, 90, 135, 180, 225, 270 et 315°) U _T =>95%, 1 cycle U _T =70% (30% baisse U _T), 25(50Hz)/30(60Hz) cycles (à 0°) U _T =>95%, 250(50Hz)/300(60Hz) cycle	La qualité de l'alimentation doit être celle d'un environnement commercial ou hospitalier typique. L'appareil s'arrête et redémarre automatiquement après chaque baisse. Ainsi, aucune chute de pression intolérable ne se produit.
Fréquence d'alimentation (50/60 Hz) CEI 61000-4-8	30 A/m	30 A/m	Les champs magnétiques de la fréquence d'alimentation doivent être à des niveaux caractéristiques d'un emplacement typique dans un environnement commercial ou hospitalier typique.
Champs de rayonnement à proximité immédiate selon CEI 61000-4-39	30 A/m	30 A/m	Les champs magnétiques de la fréquence d'alimentation doivent être à des niveaux caractéristiques d'un emplacement typique dans un environnement commercial ou hospitalier typique.

Remarque : U_T est la tension d'alimentation avant l'application du niveau de test.

Directives et déclaration du fabricant - immunité électromagnétique			
Conformément à IEC 60601-1-2:2014/AMD1:2020 - Appareils électromédicaux – Partie 1-2: Règles générales pour la sécurité de base et les performances essentielles – Norme collatérale: Perturbations électromagnétiques - Exigences et essais			
L'appareil est destiné à être utilisé dans l'environnement électromagnétique spécifié ci-dessous. Le client ou l'utilisateur de l'appareil doit s'assurer qu'il est utilisé dans un tel environnement.			
Test d'immunité	Niveau de test CEI 60601-1-2	Niveau de conformité	Environnement électromagnétique - directives
RF par conduction CEI 61000-4-6	3 Vrms 150 kHz à 80MHz	3 Vrms	Les appareils de communication RF portables et mobiles ne doivent pas être utilisés à une distance inférieure à la distance de séparation recommandée, calculée à partir de l'équation applicable à la fréquence de l'émetteur, de n'importe quelle partie de l'appareil, y compris les câbles. Distance de séparation recommandée $d=1,2\sqrt{P}$ $d=1,2\sqrt{P}$, 80 MHz à 800 MHz $d=2,3\sqrt{P}$, 800 MHz à 2,7 GHz où P est la puissance maximale de sortie de l'émetteur en watts (W) selon le fabricant de l'émetteur et d est la distance de séparation recommandée en mètres (m).
RF par rayonnement CEI 61000-4-3	3 V/m 80 MHz à 2,7 GHz	3 V/m	Les intensités de champ des émetteurs RF fixes, telles que déterminées par une étude électromagnétique du site ^a , doivent être inférieures au niveau de conformité dans chaque plage de fréquences. ^b Des interférences peuvent se produire à proximité des équipements portant le symbole suivant :
Champs de proximité des appareils de communication sans fil RF CEI 61000-4-3	9 à 28 V / m 15 fréquences spécifiques (380 à 5800 MHz)	9 à 28 V / m 15 fréquences spécifiques (380 à 5800 MHz)	
REMARQUE 1 : à 80 MHz et 800 MHz, la plage de fréquence la plus élevée s'applique.			
REMARQUE 2 : ces directives peuvent ne pas s'appliquer dans toutes les situations. La propagation électromagnétique est affectée par l'absorption et la réflexion des structures, objets et personnes.			
^a Les intensités de champ des émetteurs fixes, tels que les stations de base pour téléphones radio (cellulaires / sans fil) et des radios mobiles terrestres, radios amateurs, diffusion radio AM et FM et diffusion télévisée ne peuvent pas être prédites théoriquement avec précision. Pour évaluer l'environnement électromagnétique dû à des émetteurs RF fixes, une étude électromagnétique du site doit être envisagée. Si l'intensité de champ mesurée sur le lieu où l'appareil utilisé dépasse le niveau de conformité RF applicable ci-dessus, l'appareil doit être observé pour vérifier le fonctionnement normal. Si des anomalies sont observées, des mesures supplémentaires peuvent être nécessaires, telles que la réorientation ou le déplacement de l'appareil.			
^b Sur la plage de fréquence de 150 kHz à 80 kHz, les intensités de champ doivent être inférieures à 3 V/m.			

INSTALLATION



Risque d'installation incorrecte.

Seul un professionnel qualifié peut installer le compresseur et le mettre en service pour la première fois. Ce professionnel est tenu de former le personnel à l'utilisation et à la maintenance de l'appareil. Sa signature apposée au document de remise de la machine vaut attestation de bonne installation et de formation du personnel.

10. CONDITIONS D'EMPLOI

- Le compresseur ne peut être installé et utilisé que dans un environnement sec, bien ventilé et propre, dans les conditions spécifiées dans le chapitre sur les Données techniques.



Risque de dommages à l'appareil.

L'équipement ne doit pas être utilisé à l'extérieur ou dans des environnements humides.



Risque d'explosion.

Évitez d'utiliser l'équipement en présence de gaz explosifs, de poussières ou de liquides inflammables.



Risque de brûlure ou d'incendie ! Mise en garde ! Surface chaude !

Des éléments de l'agrégat peuvent chauffer et atteindre des températures dangereuses lors de l'utilisation du compresseur et tout contact avec ceux-ci peut poser un risque pour les opérateurs ou les matériaux.

- Le compresseur doit être installé de sorte à être accessible en permanence pour être utilisé et entretenu. Veuillez vous assurer que l'étiquette sur l'appareil est facilement accessible.
- Le compresseur doit être posé sur un support plat et suffisamment stable (faites attention au poids du compresseur, voir le chapitre sur les Données techniques).



Danger de température élevée.

Il est interdit d'obstruer la circulation de l'air en amont ou en aval du refroidisseur. Les parties internes et externes du refroidisseur peuvent chauffer et atteindre des températures dangereuses.



Lorsque vous mettez l'appareil en service pour la première fois (pendant une courte période), vous pouvez percevoir une odeur de « neuf ». Cette odeur est temporaire et n'empêche pas l'utilisation normale de l'appareil. Veillez à ce que la pièce soit correctement aérée après l'installation.

11. POSITIONNEMENT DU COMPRESSEUR

11.1. Manipulation et libération du compresseur

- Retirez le compresseur de son emballage.
- Pour un compresseur avec armoire, retirer la porte maintenue par les vis et pour les compresseurs DK50 4VR/50/M, retirer la barrette de raccordement (41) de la partie inférieure de l'armoire. Retirer l'armoire du compresseur.
- Détacher le compresseur de la palette en retirant les boulons de fixation (Fig. 5).
- Disposez le compresseur sur le site d'installation. (Fig. 6)

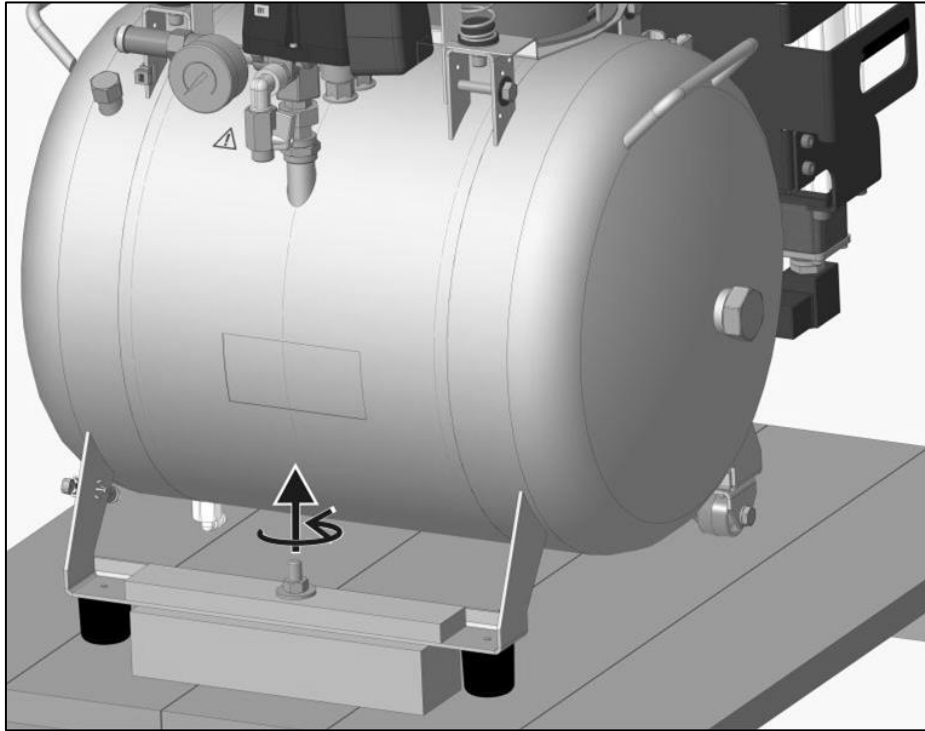


Utilisez les sangles de manutention et la poignée du compresseur pour déplacer le compresseur si besoin. N'utilisez pas d'autres parties du compresseur (agrégat, refroidisseur, etc.) pour le porter.

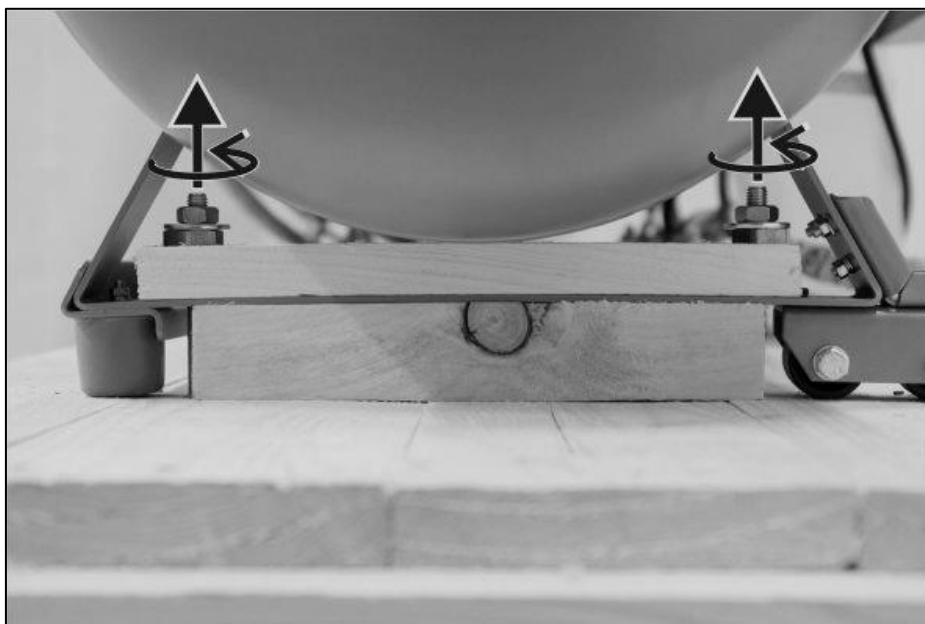


Le nombre de personnes nécessaires pour manipuler l'équipement doit être adapté au poids de celui-ci.

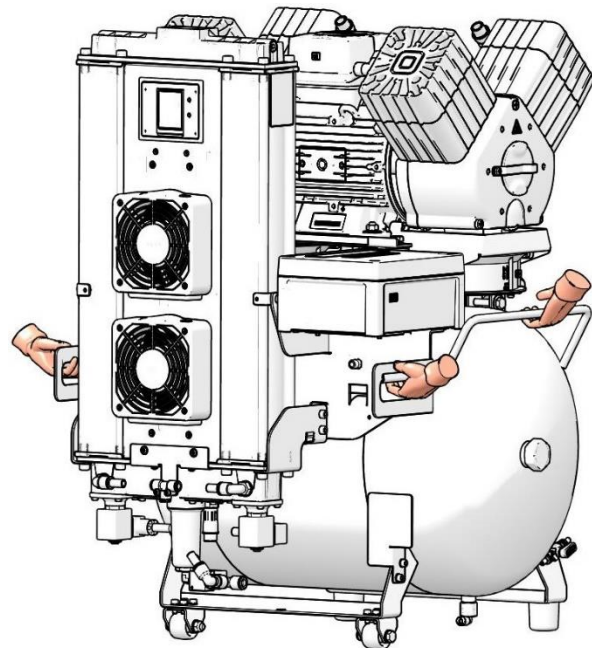
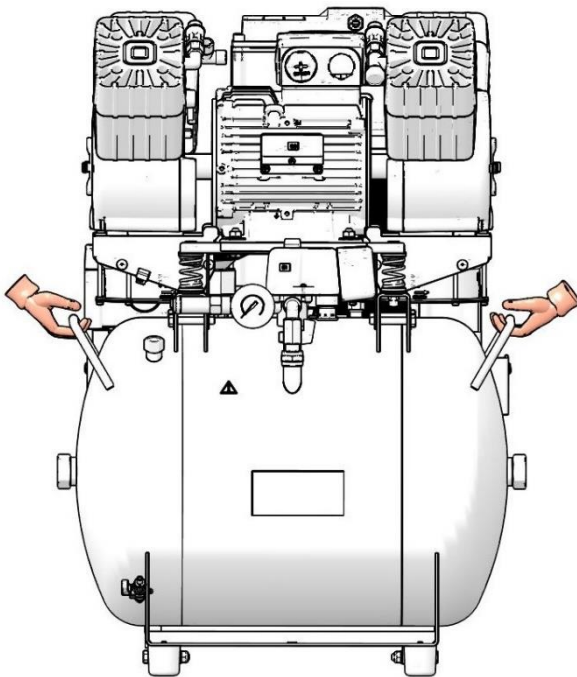
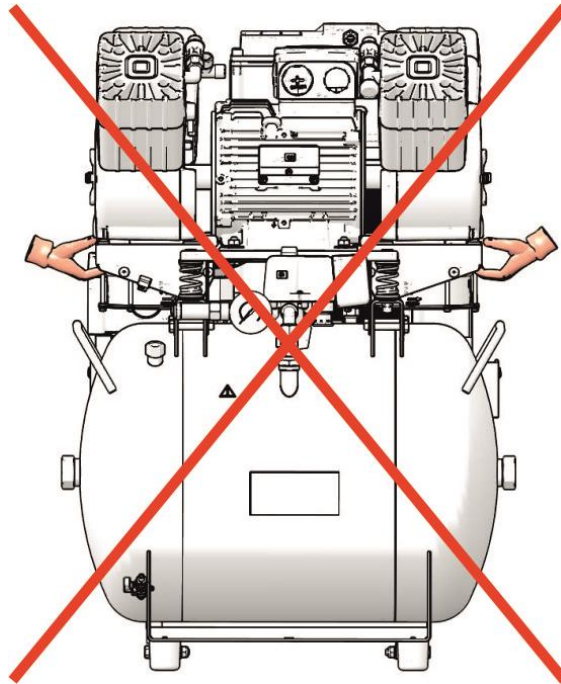
Fig. 5: Retrait des supports de transport

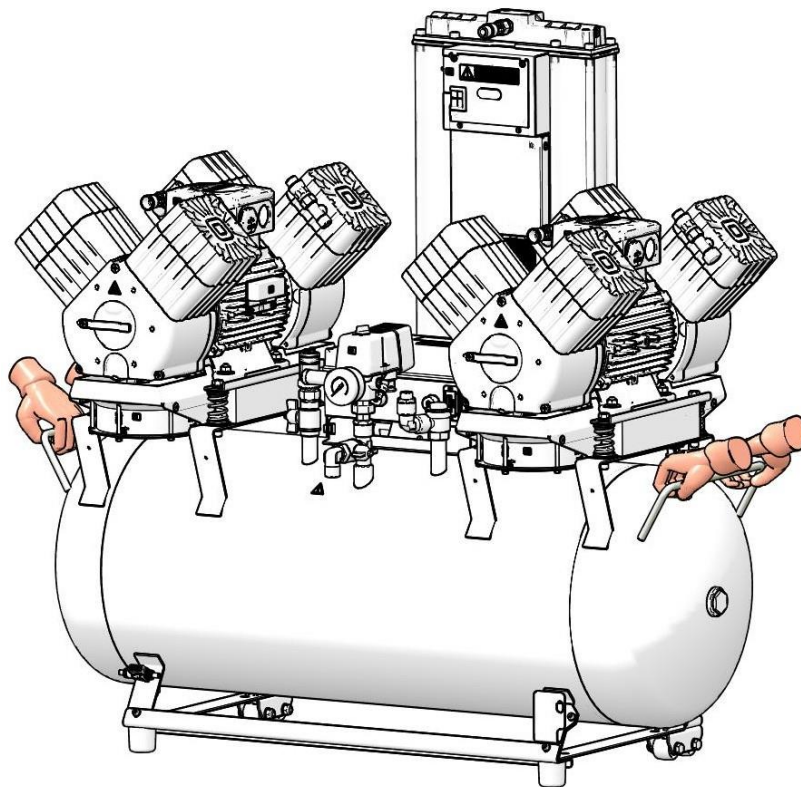
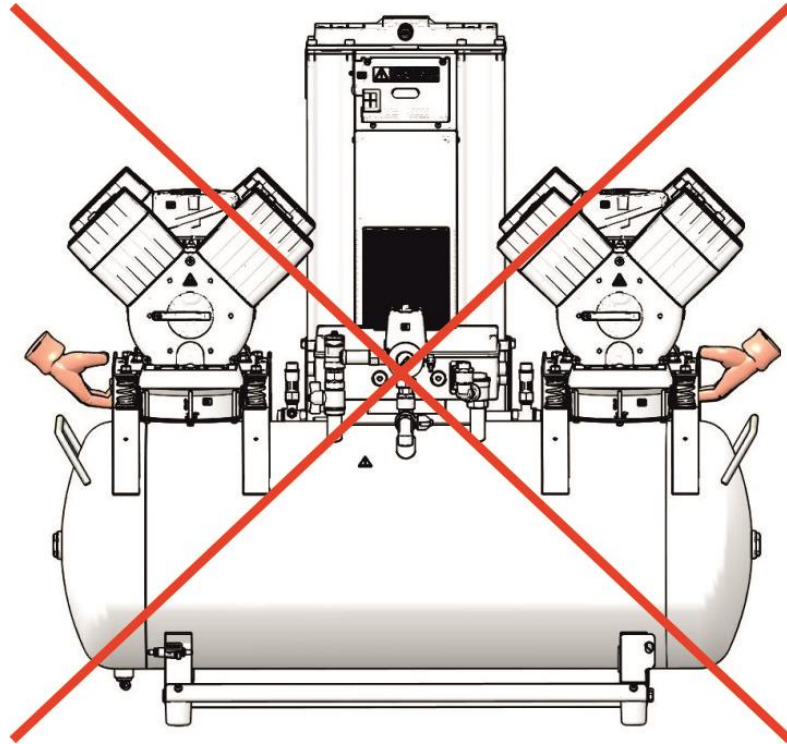


DK50 4VR/50



DK50 2x4VR/110

Fig. 6: Manipulation du compresseur**DK50 4VR/50**



DK50 2x4VR/110

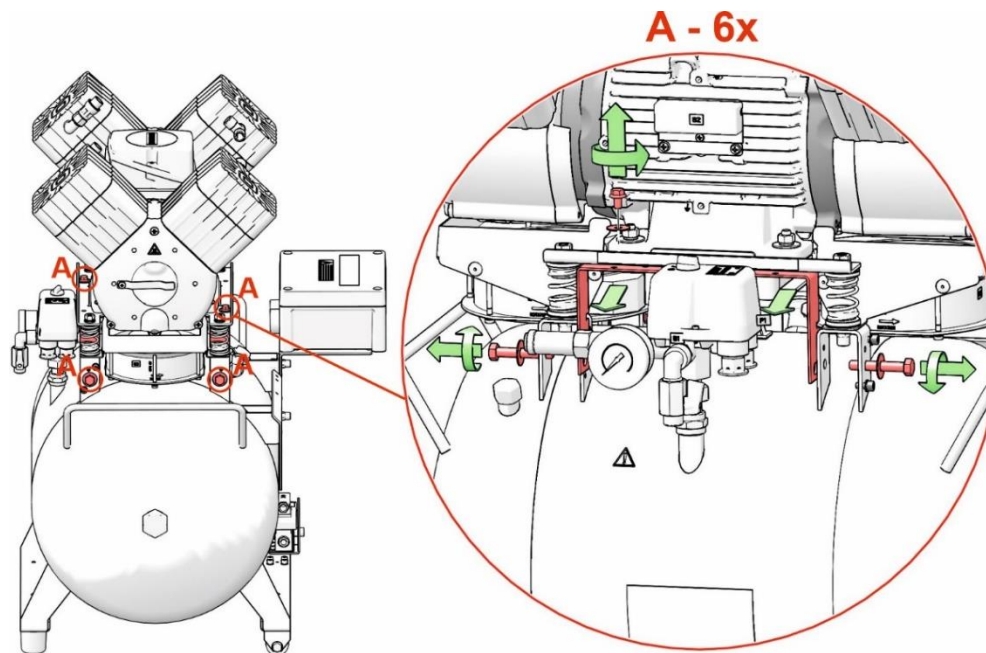
- Retirer les supports utilisés pour fixer le groupe pendant le transport : utiliser une clé de 10 mm pour retirer les boulons supérieurs, puis utiliser une clé de 13 mm pour retirer les boulons latéraux inférieurs (Fig. 7).



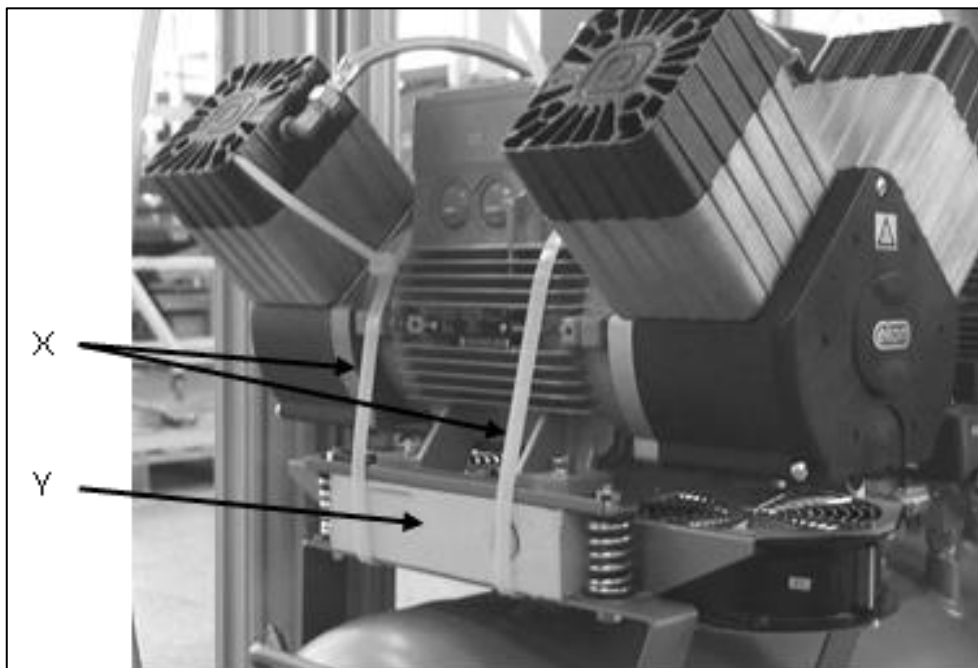
Avant l'installation, assurez-vous d'enlever tous les emballages de transport et les stabilisateurs afin d'éviter tout risque de dommage au produit.

Retirez tous les dispositifs utilisés pour fixer les agrégats une fois que le compresseur a été installé et stabilisé sur le site d'installation final.

Fig. 7: Desserrez les pompes à air



DK50 4VR/50



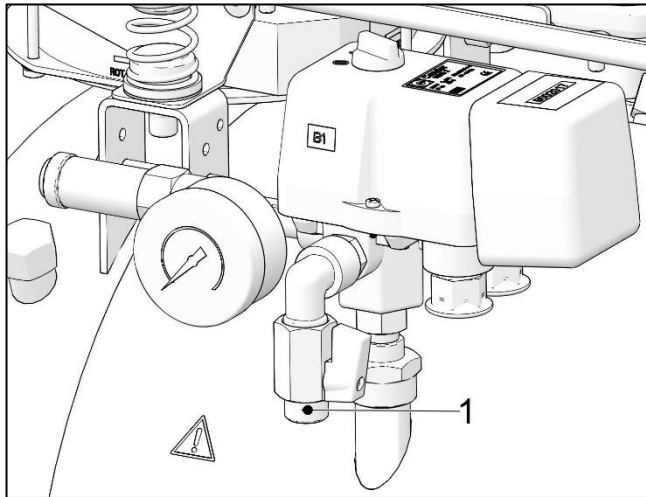
DK50 2x4VR/110

12. RACCORDS PNEUMATIQUES

12.1. Raccordement à la prise d'air comprimé

- Faites passer le tuyau à pression de la sortie d'air comprimé (1) à l'équipement connecté.
- Raccordement G3/8" (DK50 4VR/50), G1/2" (DK50 2x4VR/110).
- Pour les compresseurs montés en armoire, faites passer le tuyau de pression à travers l'ouverture de la paroi arrière de l'armoire.

DK50 4VR/50



DK50 2x4VR/110

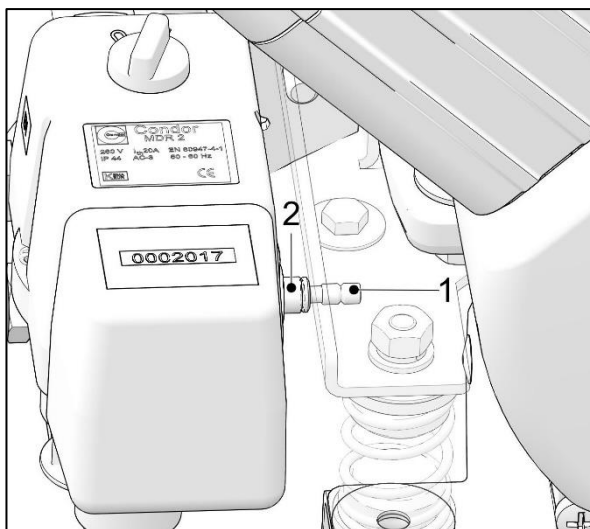


Fig. 8: Raccordement à la prise d'air comprimé

12.2. Raccordement du manomètre de l'armoire au compresseur

- Retirez le bouchon (1) des filetages (2) du bloc pneumatique du compresseur
- Raccordez le tuyau du manomètre de l'armoire au raccord fileté

DK50 4VR/50



DK50 2x4VR/110

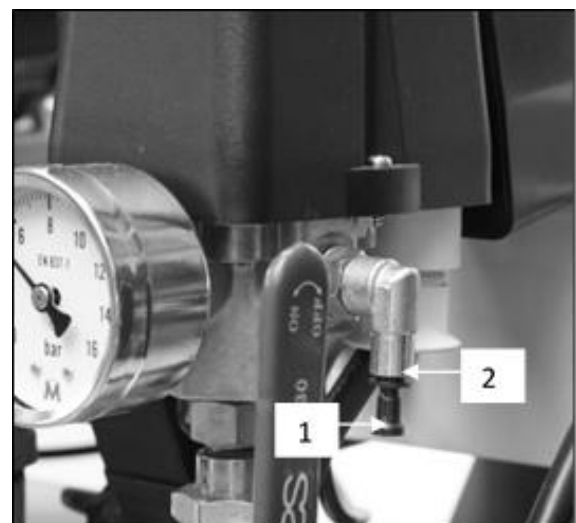


Fig. 9: Raccordement du manomètre de l'armoire au compresseur

12.3. Sortie du condensat du sècheur

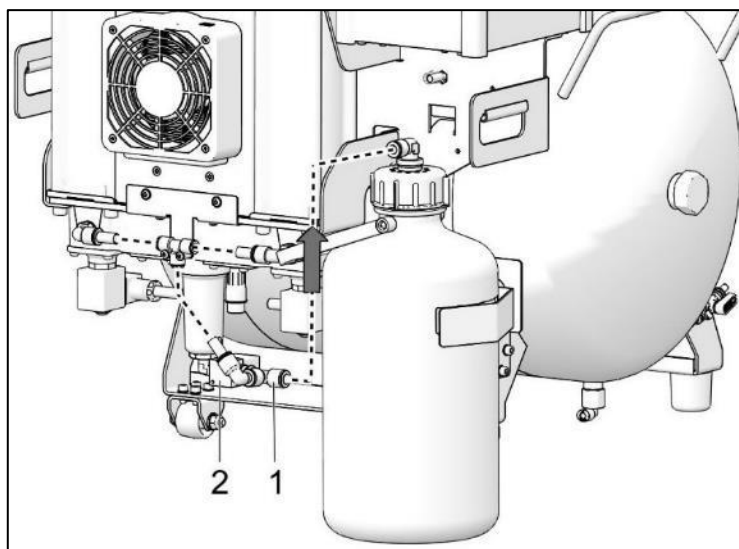


Risque de blessure.

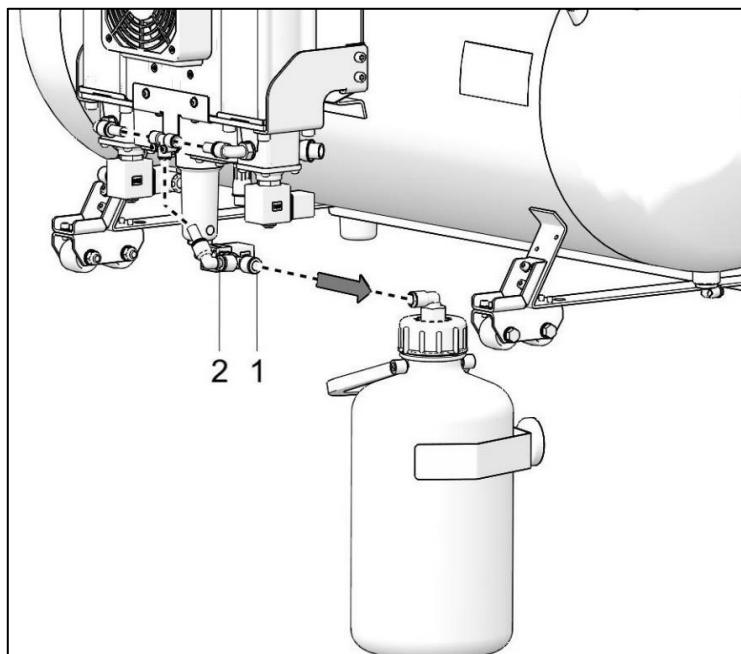
Ne raccordez pas le tuyau d'évacuation des condensats directement sur à une purge des eaux usées ! Des passants risquent de se faire blesser !

- Raccordez un tuyau à la sortie (1) du dispositif automatique (2) de purge vers la cuve de collecte du condensat fournie
- Pour un compresseur dans une armoire, acheminer le tuyau à travers l'ouverture arrière de l'armoire. Monter le réservoir de collecte des condensats sur le panneau latéral ou le panneau arrière de l'armoire.

Fig. 10: Sortie du condensat du sècheur



DK50 4VR/50/M



DK50 2x4VR/110/M



Risque d'endommagement des composants pneumatiques.
Les tuyaux d'air ne doivent pas être brisés.

13. RACCORDEMENT ELECTRIQUE

- Le produit est livré avec un cordon équipé d'une fiche avec broche de mise à la terre.
- Avec des compresseurs montés en armoire, faites passer le cordon d'alimentation par l'ouverture de la paroi arrière de l'armoire.
- Placez la prise à un endroit facilement accessible, de sorte à pouvoir débrancher l'appareil en toute sécurité.
- Le raccord à l'armoire de distribution de l'énergie électrique doit être de 16 A au maximum.



Risque d'électrocution.

Il est nécessaire de respecter toutes les réglementations électrotechniques locales. La fréquence et la tension du secteur doivent être conformes aux informations mentionnées sur l'étiquette de l'appareil.



Risque d'incendie et d'électrocution.

Le cordon électrique ne doit pas être rompu.



Risque d'incendie et d'électrocution.

Assurez-vous que le câble électrique ne touche pas les composants chauds du compresseur.

- Raccordez la broche afin d'établir une liaison équipotentielle de 6Ø mm (1) au circuit électrique en utilisant la méthode définie dans le cadre des réglementations électriques locales en vigueur
- La prise réservée à la liaison équipotentielle (2) est un accessoire et n'est pas fournie dans le kit de base



Fig. 11: Liaison équipotentielle

- Montez le raccord du conducteur de mise à la terre sur la porte et vissez l'armoire.

Raccordement du cordon d'alimentation

Tension d'alimentation	Type de câble électrique
230V/50 (60) Hz	3Gx1.5x4000
400V/50 (60) Hz	5Gx1.5x4000

13.1. Raccordement d'un compresseur non installé dans une armoire

- Branchez la fiche secteur sur une prise secteur.
- Le compresseur est prêt à être utilisé.

13.2. Raccordement d'un compresseur installé dans une armoire

- Pour les modèles de compresseurs montés en armoire, faites passer la prise secteur à travers l'ouverture de la paroi arrière de l'armoire. (Fig. 12)
- Connectez l'armoire au compresseur en branchant le cordon d'alimentation fourni avec le connecteur dans une sortie. (Fig. 13)
- Débranchez l'armoire du compresseur en tirant le connecteur de la prise pendant que le loquet est relâché.
- Conditionnez l'écran au niveau de la porte avant de l'armoire, puis fixez le cordon sur l'écran à l'aide des pinces (1). Fixer le cordon des compresseurs DK50 4VR/50 S/M dans le collier (1) dans la porte de l'armoire (Fig. 18). Fixer le cordon des compresseurs DK50 2x4VR/110 S/M dans les colliers (1) de l'enceinte de l'armoire (Fig. 22).



Fig. 12: Ouverture dans la paroi arrière de l'armoire



Fig. 13: Raccordement de l'armoire au compresseur

14. POSITIONNEMENT DU COMPRESSEUR DANS L'ARMOIRE

14.1. DK50 4VR/50S/M (Fig. 4-A):

Démontage de la porte de l'armoire

- Retirer la porte maintenue par 2 vis et débrancher le connecteur de l'écran ainsi que le fil de masse.



S'assurer au préalable que le connecteur de l'écran est déconnecté en retirant la porte avant, sinon celui-ci pourrait être endommagé.

Positionnement du compresseur

- Retirez la barrette de raccordement (41) à l'avant de l'armoire.
- Positionner le compresseur à une distance d'au moins 500 mm de l'armoire pour faciliter le mouvement des tuyaux et du cordon d'alimentation à l'intérieur de l'armoire (Fig. 14).

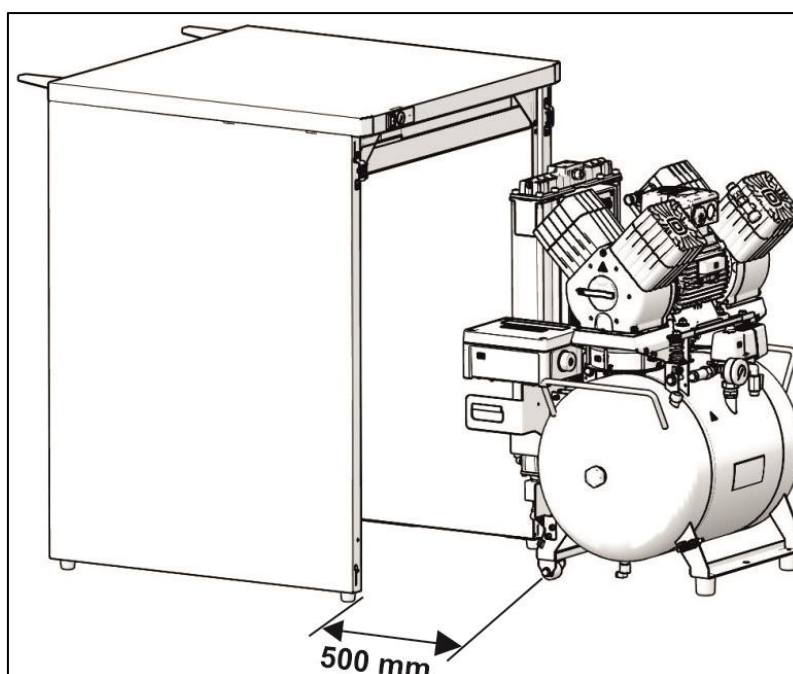


Fig. 14: Positionnement du compresseur pour les raccordements

- Effectuer les raccordements pneumatiques selon le chapitre 12.1.
- Raccorder le réservoir de collecte des condensats selon le chapitre 12.3.
- Acheminer le tuyau de pression, le tuyau d'évacuation des condensats et le cordon d'alimentation à travers l'ouverture dans la paroi arrière de l'armoire.
- Positionner le compresseur à une distance suffisante de l'armoire pour que le connecteur WINSTA puisse établir le raccordement électrique entre le compresseur et l'armoire (Fig. 13, Fig. 15).

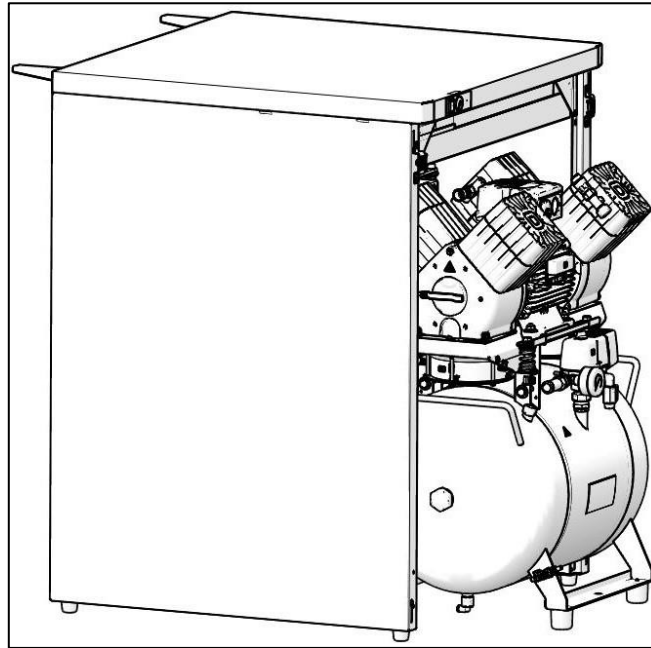


Fig. 15: Positionnement du compresseur pour les raccordements électriques

- Raccorder électriquement le compresseur selon le chapitre 13.
- Insérez le compresseur dans l'armoire à l'aide du chariot de positionnement (35), placez la barrette de raccordement à l'avant de l'armoire et réglez la position du compresseur de sorte que les deux encoches en forme de « V » de la barrette de raccordement (41) s'alignent avec les pieds du compresseur (Fig. 4).
- Vérifier que le compresseur est complètement inséré dans l'armoire à l'aide de la dimension de contrôle (Fig. 16).

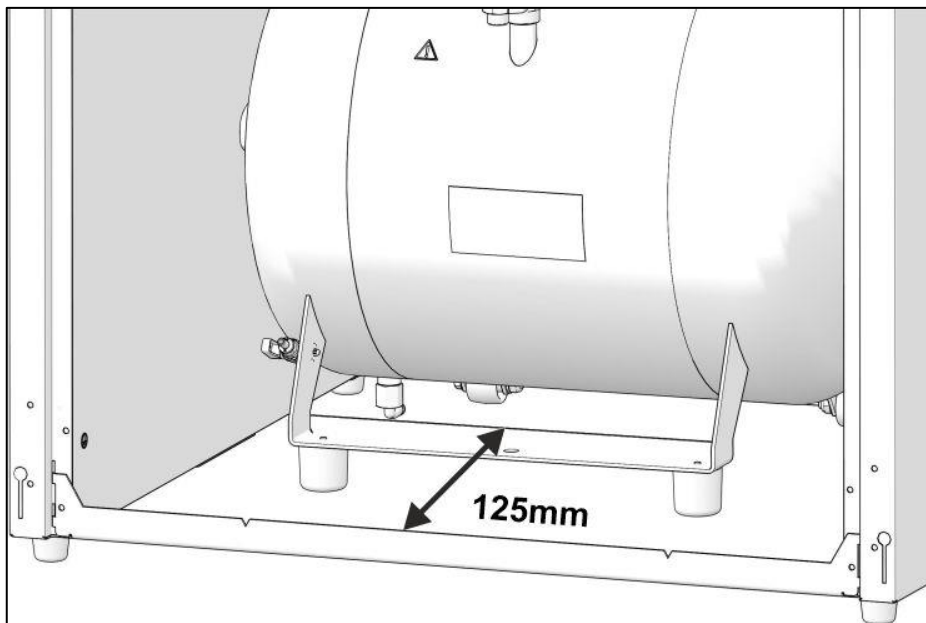


Fig. 16: Positionnement du compresseur DK50 4VR/50/M dans l'armoire

- Placez la bande de raccordement (41) dans sa position initiale au bas de l'armoire.
- Raccorder le manomètre de l'armoire au compresseur selon le chapitre 12.2.



Un compresseur équipé d'un sécheur d'air ne doit pas être inséré dans l'armoire jusqu'à la butée, car il y a un risque d'endommagement permanent du sécheur.

Montage de la porte de l'armoire

- Fixer la porte à l'armoire, raccorder le connecteur de l'écran (Fig. 17) et fixer le cordon à l'écran dans l'attache (1) de la porte avant (Fig. 18).
- Raccorder le conducteur de mise à la terre à la porte, installer la porte sur l'armoire et la fixer avec 2 vis.



Fig. 17: Branchement du connecteur de l'écran

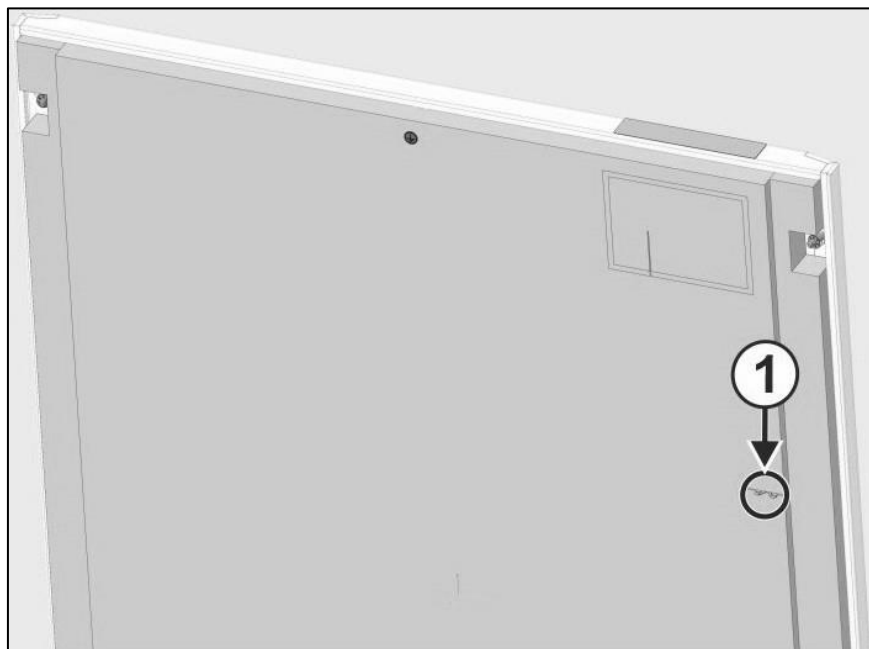


Fig. 18: Position des pinces dans l'armoire DK50 4VR/50 S/M

14.2. DK50 2x4VR/110 S/M (Fig. 4-B):

Ouverture du couvercle supérieur

- Soulevez le couvercle supérieur de l'armoire en le saisissant par sa poignée (42) de sorte que les ressorts à gaz maintiennent le couvercle ouvert.



Faites attention à vos doigts lorsque vous refermez le couvercle de l'armoire.

Verrouillez toujours à l'aide des attaches rapides après avoir fermé le couvercle de l'armoire !

Démontage du panneau avant de l'armoire

- Retirer la porte maintenue par 4 vis M5 et débrancher le connecteur de l'écran ainsi que le fil de masse.



S'assurer au préalable que le connecteur de l'écran est déconnecté en retirant la porte avant, sinon celui-ci pourrait être endommagé.

Insertion du compresseur

- Positionner le compresseur à une distance d'au moins 500 mm de l'armoire pour faciliter le mouvement des tuyaux et du cordon d'alimentation à l'intérieur de l'armoire (Fig. 19).

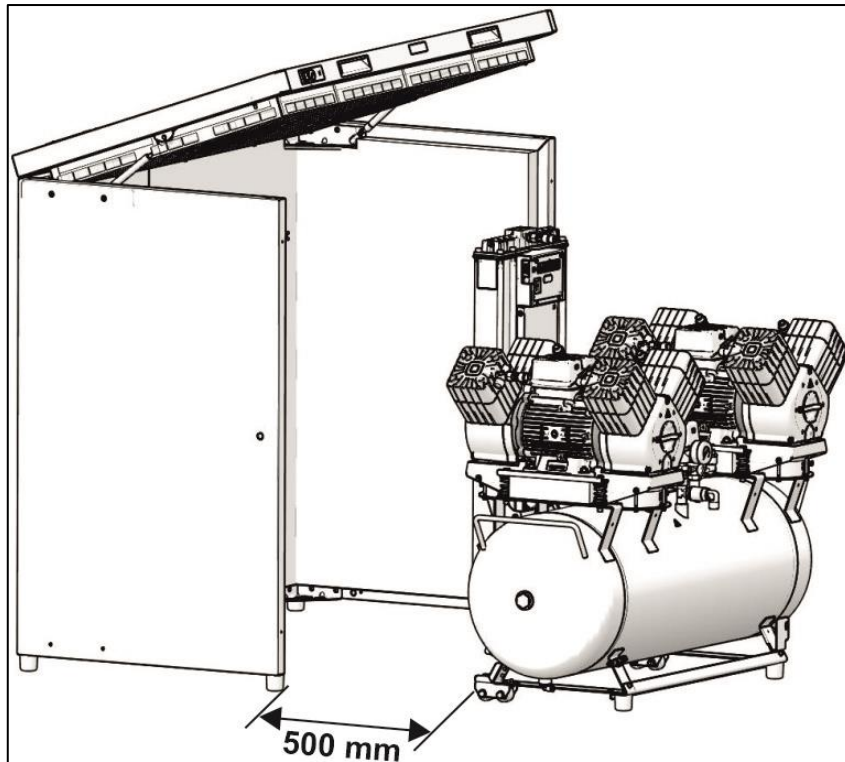


Fig. 19: Positionnement du compresseur pour les raccordements

- Effectuer les raccordements pneumatiques selon le chapitre 12.1.
- Raccorder le réservoir de collecte des condensats selon le chapitre 12.3.
- Acheminer le tuyau de pression, le tuyau d'évacuation des condensats et le cordon d'alimentation à travers l'ouverture dans la paroi arrière de l'armoire.
- Positionner le compresseur à une distance suffisante de l'armoire pour que le connecteur WINSTA puisse établir le raccordement électrique entre le compresseur et l'armoire (Fig. 13, Fig. 20).

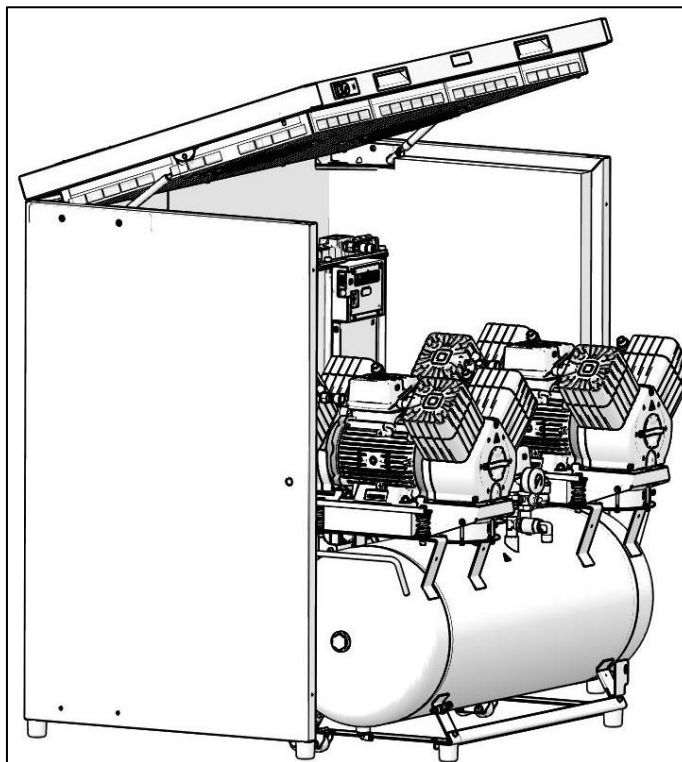


Fig. 20: Positionnement du compresseur pour les raccordements électriques

- Raccorder électriquement le compresseur selon le chapitre 13.
- Insérez le compresseur équipé d'un sécheur dans l'armoire de façon à ce que son ventilateur s'insère dans l'ouverture du tunnel de refroidissement de l'armoire (Fig. 21).

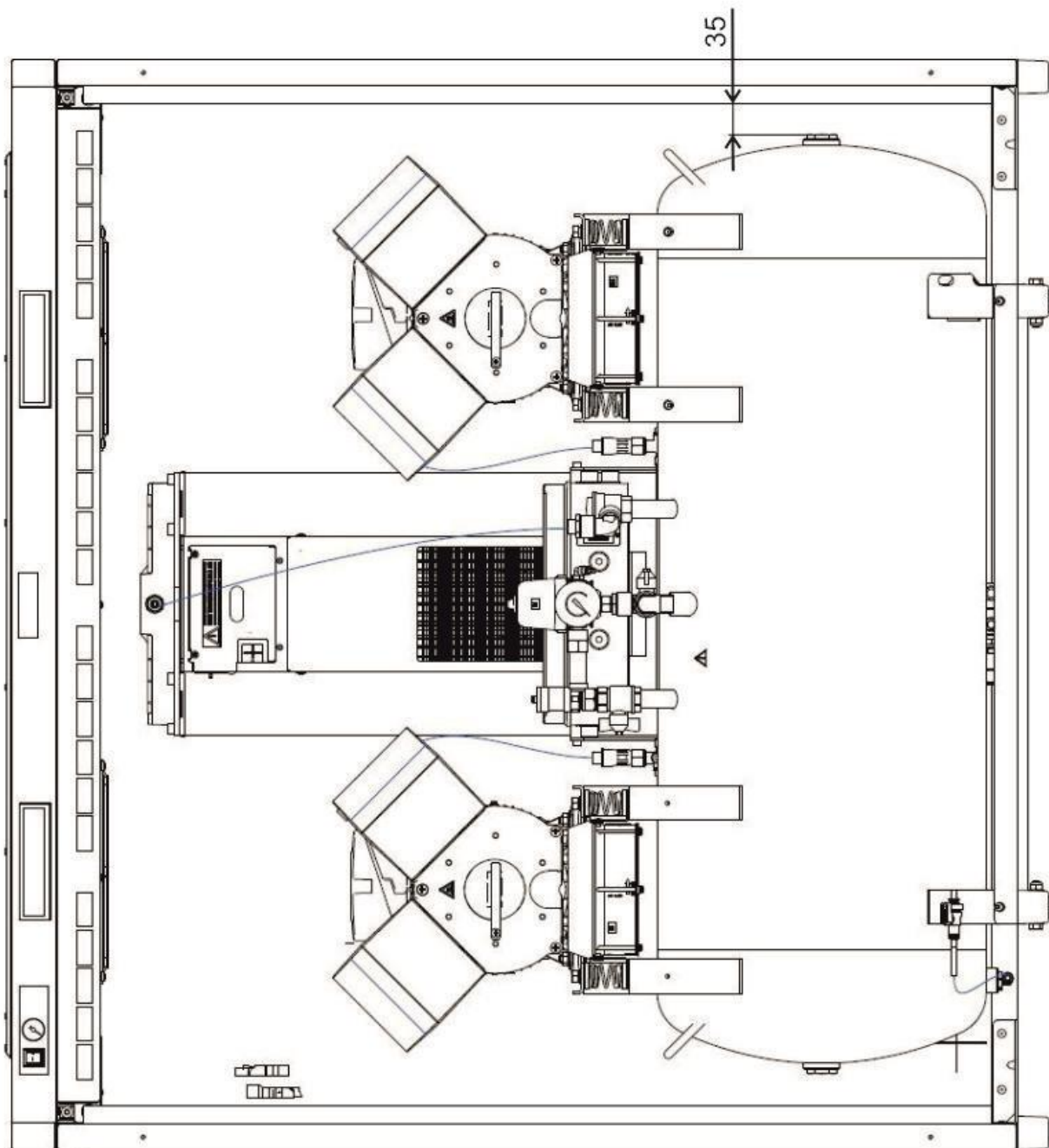


Fig. 21: Positionnement du compresseur dans l'armoire

- Raccorder le manomètre de l'armoire au compresseur selon le chapitre 12.2.



Un compresseur équipé d'un sécheur d'air ne doit pas être inséré dans l'armoire jusqu'à la butée, car il y a un risque d'endommagement permanent du sécheur.

Installation du panneau avant de l'armoire

- Fixer la porte à l'armoire, raccorder le connecteur de l'écran (Fig. 17) et fixer le cordon à l'écran dans l'attache (1) de la porte avant (Fig. 22).

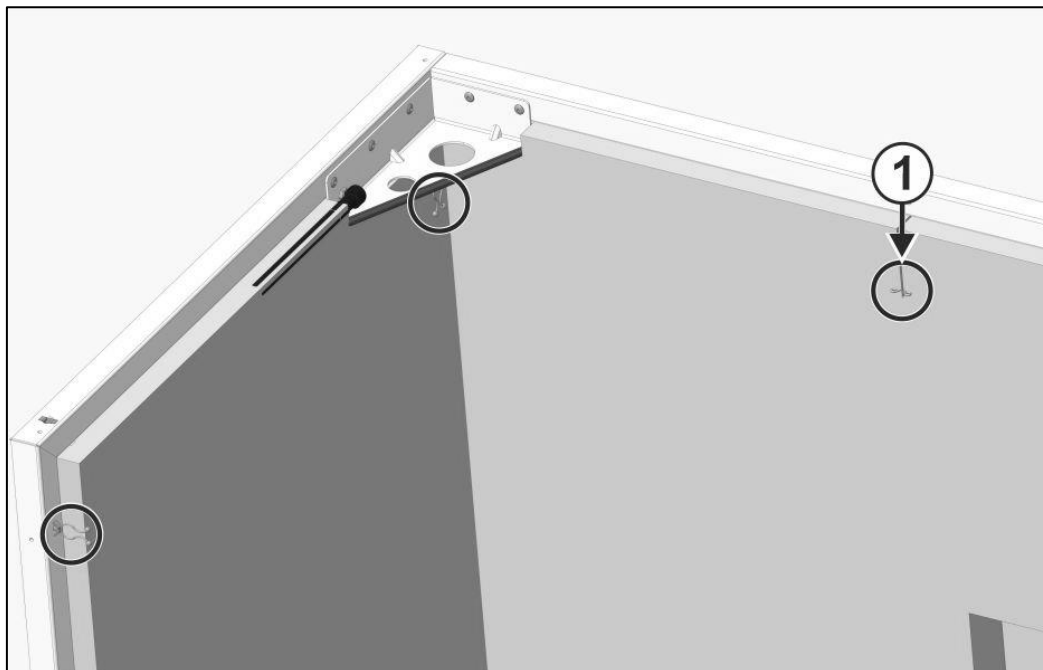


Fig. 22: Position des pinces dans l'armoire DK50 2x4VR/110 S/M

- Raccorder le conducteur de mise à la terre à la porte, installer la porte sur l'armoire et la fixer avec 4 vis

15. MISE EN SERVICE

- Assurez-vous de retirer les stabilisateurs de transport.
- Vérifiez que tous les raccords de tuyau d'air comprimé sont corrects. (voir Chap. 12)
- Vérifiez que le raccordement au secteur est correct. (voir Chap. 13)
- Vérifiez la position du disjoncteur, il doit être en position « I ». Si le commutateur principal (2) est en position « 0 », mettez-le en position « I » (Fig. 23).
- Pour les compresseurs montés en armoire, faites tourner le commutateur (4) situé sur la face avant de l'armoire en position « I » ; un voyant vert indique que l'équipement est en marche (Fig. 23).
- Vérifiez que l'armoire est raccordée au compresseur (Fig. 13).
- Vérifier le branchement de l'écran sur la porte avant de l'armoire.
- Vérifiez le branchement entre le tuyau du manomètre de l'armoire et le bloc pneumatique du compresseur (Fig. 9).
- Vérifiez que le tuyau du dispositif automatique de purge de condensat est bien raccordé à la cuve de collecte (Fig. 10).
- Configuration de la langue sur l'écran du sécheur (voir Chap. 20.2)
- Configuration de la date et de l'heure sur l'écran du sécheur (voir Chap. 20.3)
- Vérifier les réglages du mode de séchage (voir Chap. 20.4)

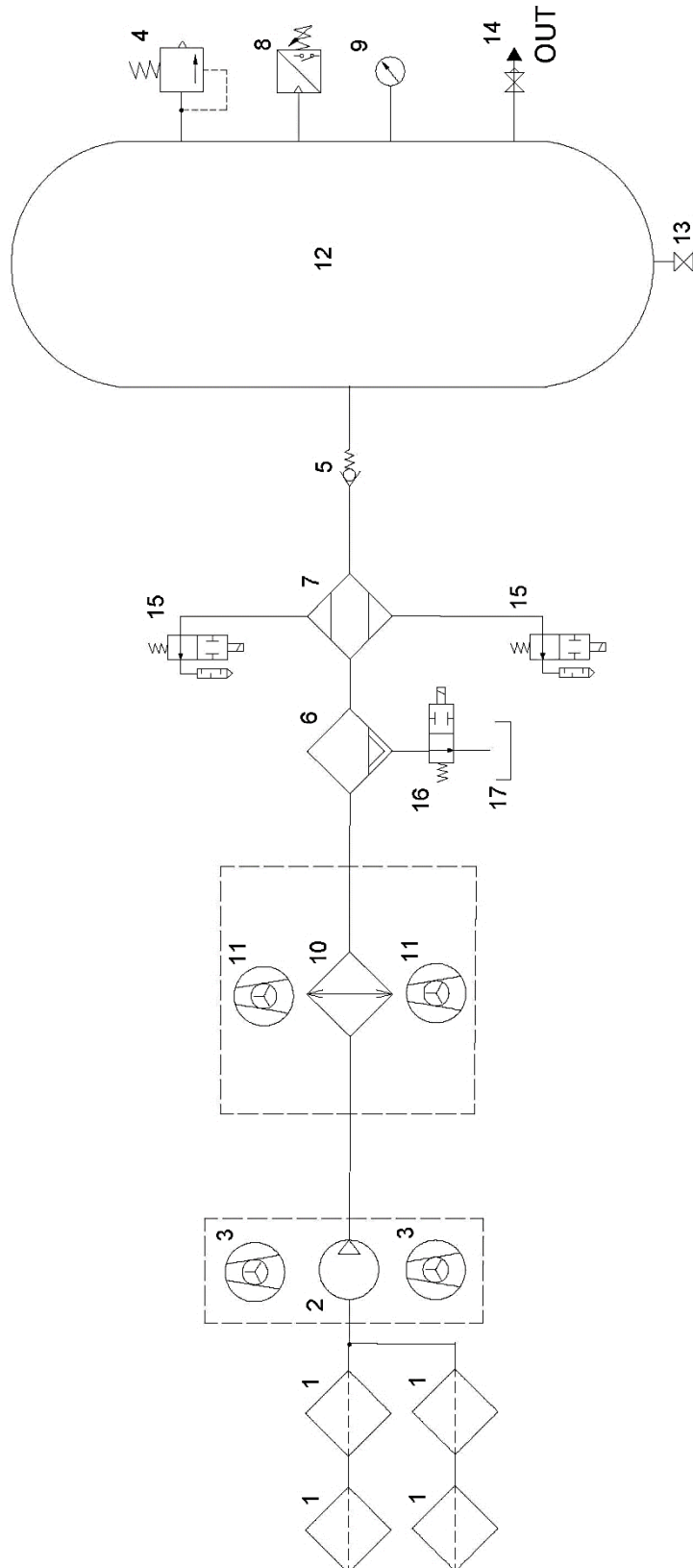


Le compresseur n'est pas doté d'une alimentation électrique de secours.

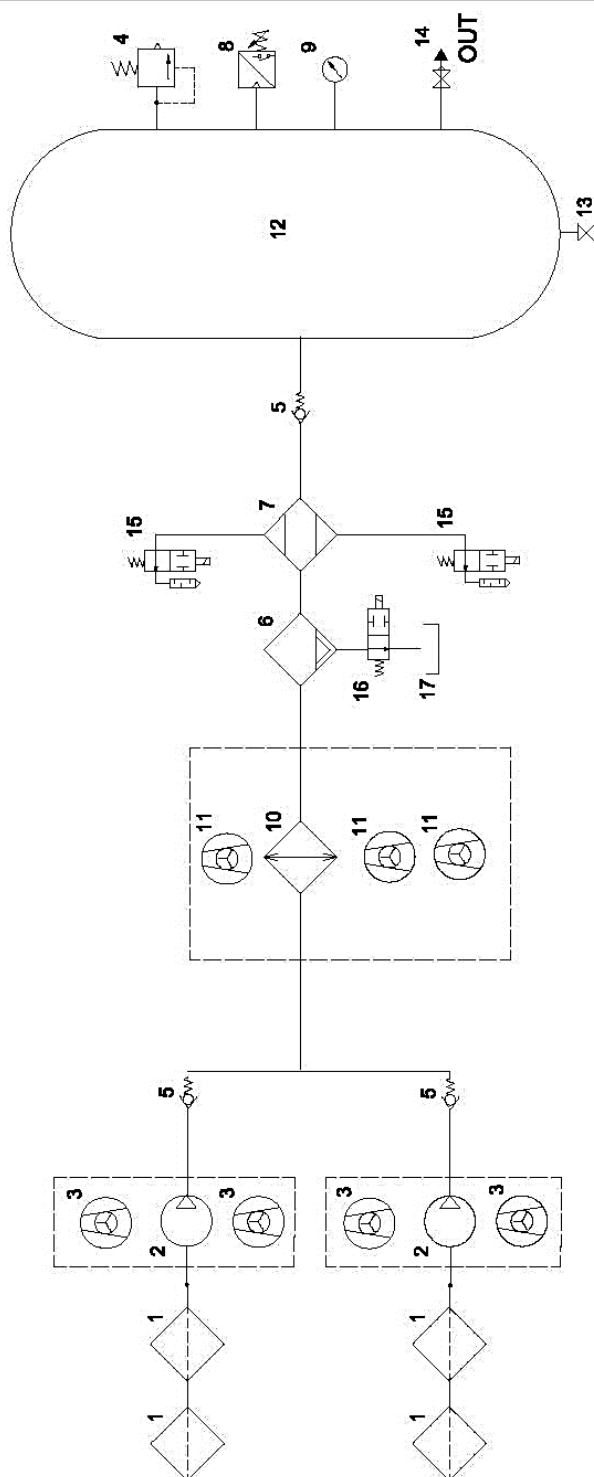
16. SCHÉMAS PNEUMATIQUES ET ÉLECTRIQUES

16.1. Schéma pneumatique

DK50 4V/50/M



DK50 2x4VR/110/M



Description du schéma pneumatique:

- | | | | |
|---|---|----|------------------------------------|
| 1 | 1 | 9 | Manomètre |
| 2 | 2 | 10 | Refroidisseur |
| 3 | 3 | 11 | Ventilateur de refroidissement |
| 4 | 4 | 12 | Réservoir d'air |
| 5 | 5 | 13 | Soupape de vidange |
| 6 | 6 | 14 | Valve d'échappement |
| 7 | 7 | 15 | Electrovanne – régénération |
| 8 | 8 | 16 | Électrovanne de purge du condensat |
| | | 17 | Cuve de collecte de condensat |

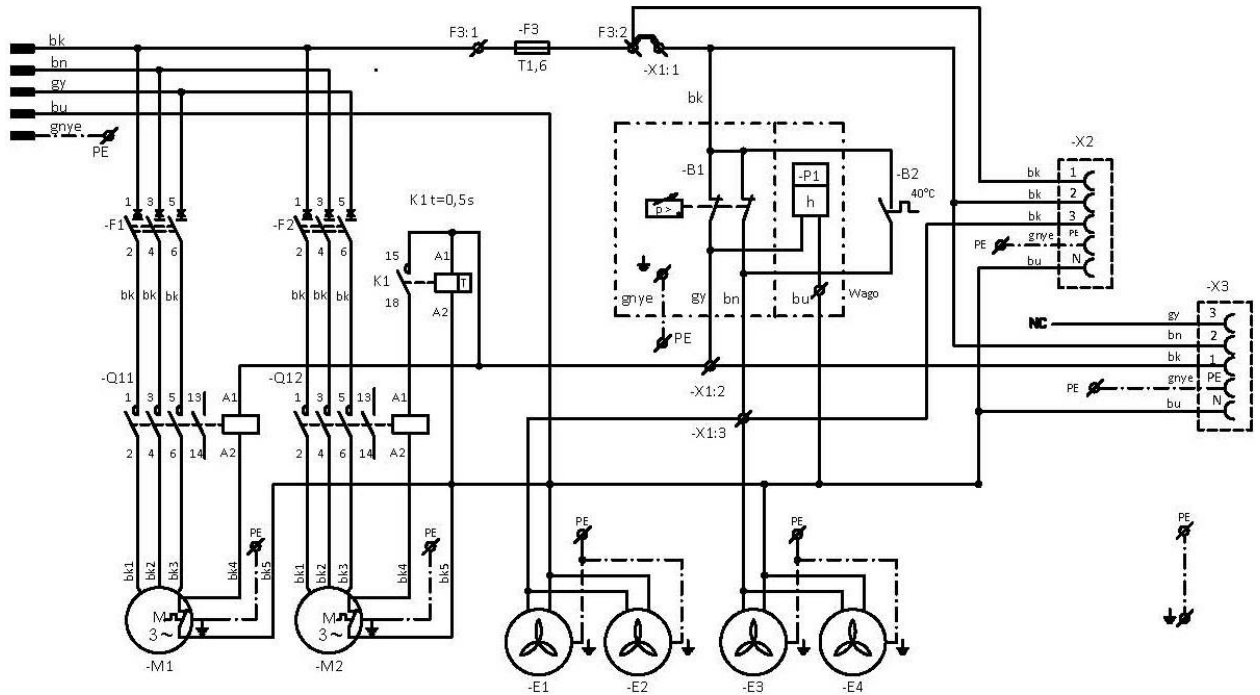
DK50 2x4VR/110/M

6 - 8 bar, 8 - 10 bar

3/N/PE~400V, 50Hz

RÉSEAU ÉLECTRIQUE TN-S [TN-C-S]

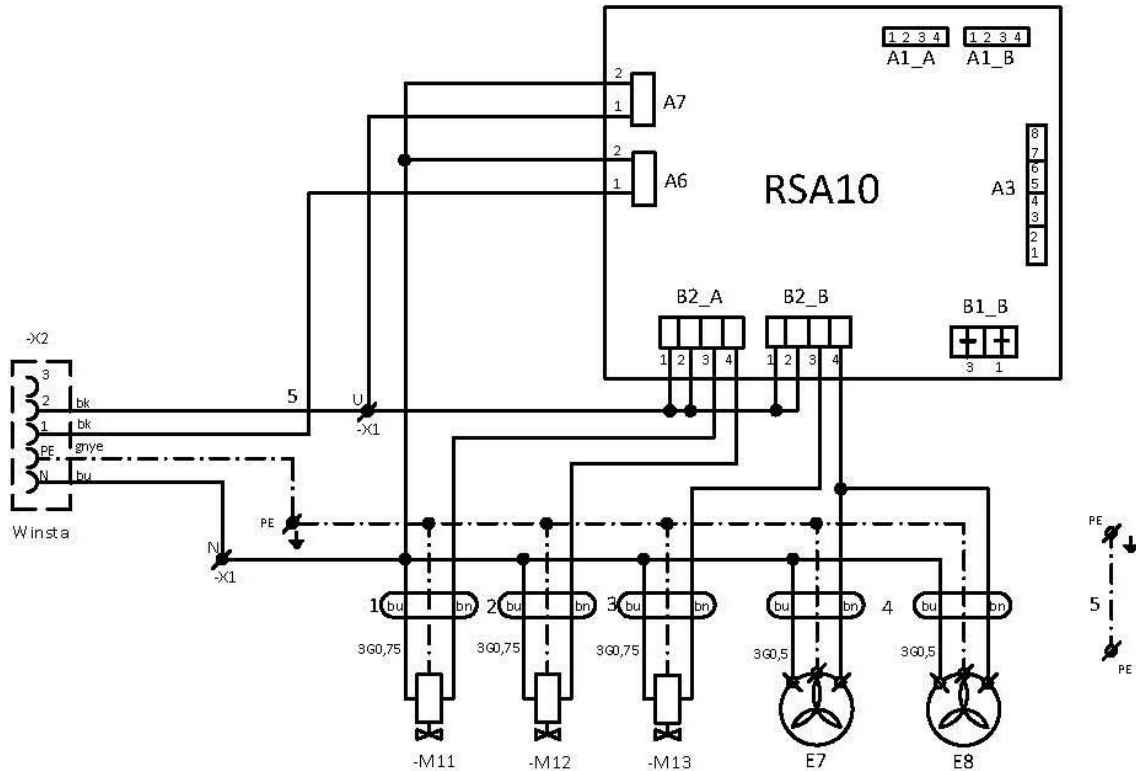
OBJET ÉLECTRIQUE de 1ère CATÉGORIE



AD 280EK

1/N/PE ~ 230V,50Hz, 230V,60Hz

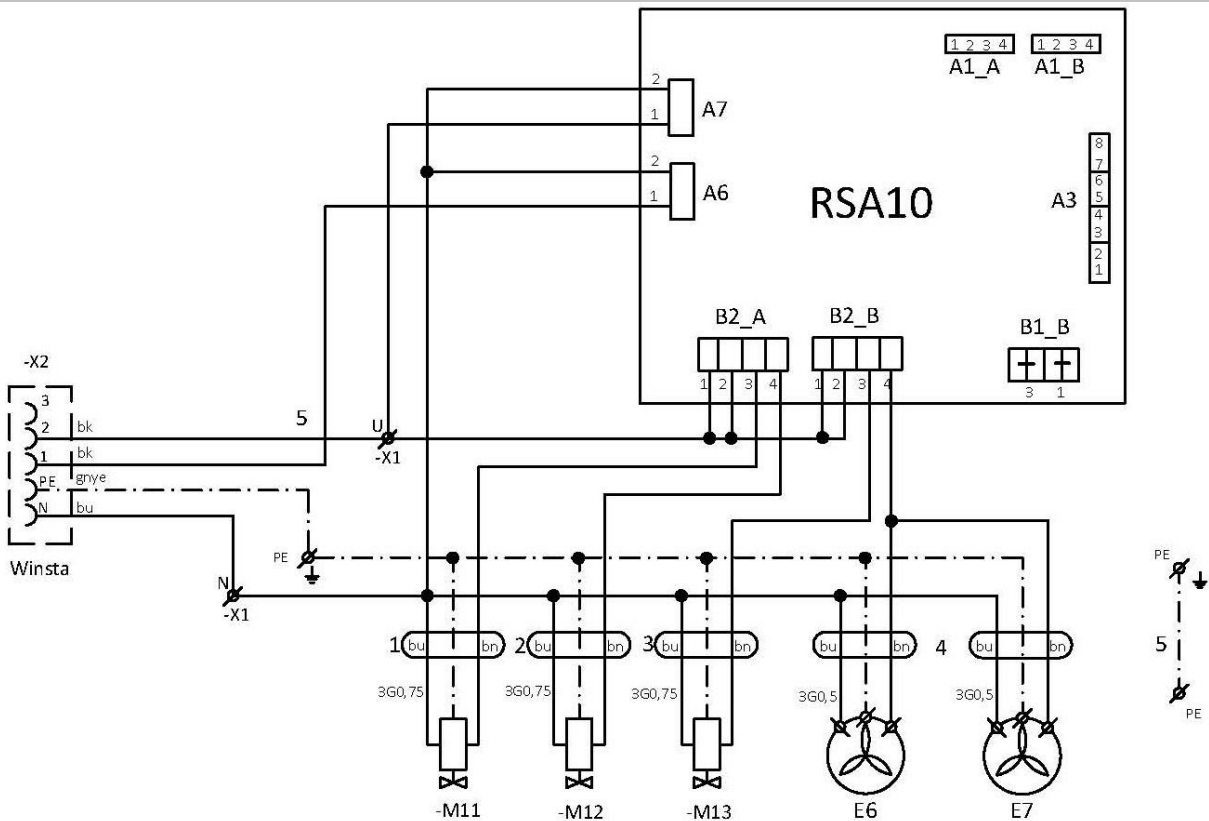
OBJET ÉLECTRIQUE de 1ère CATÉGORIE

**AD500**

1/N/PE~230V, 50/60Hz

~120V, 60Hz

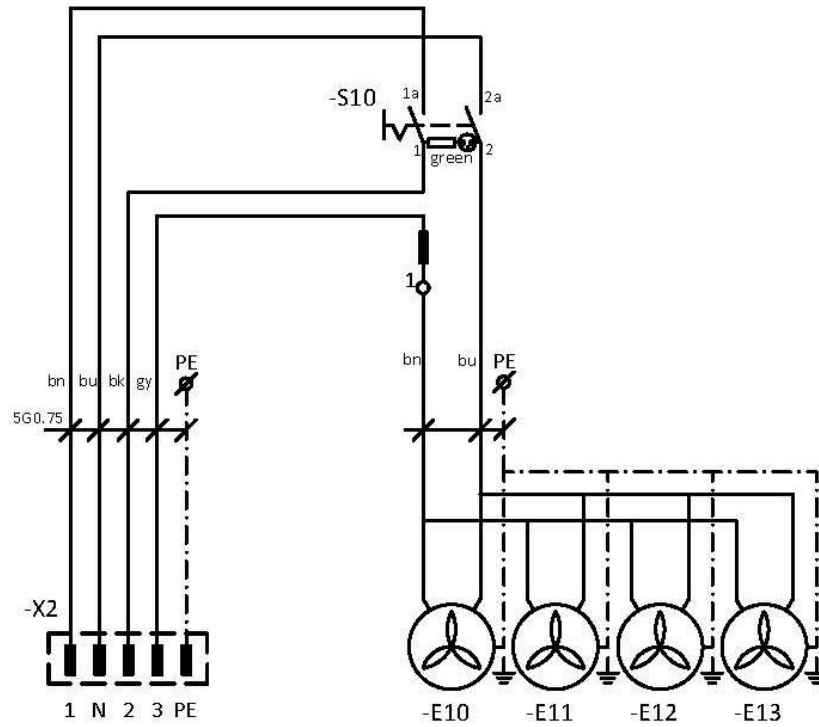
OBJET ÉLECTRIQUE de 1ère CATÉGORIE



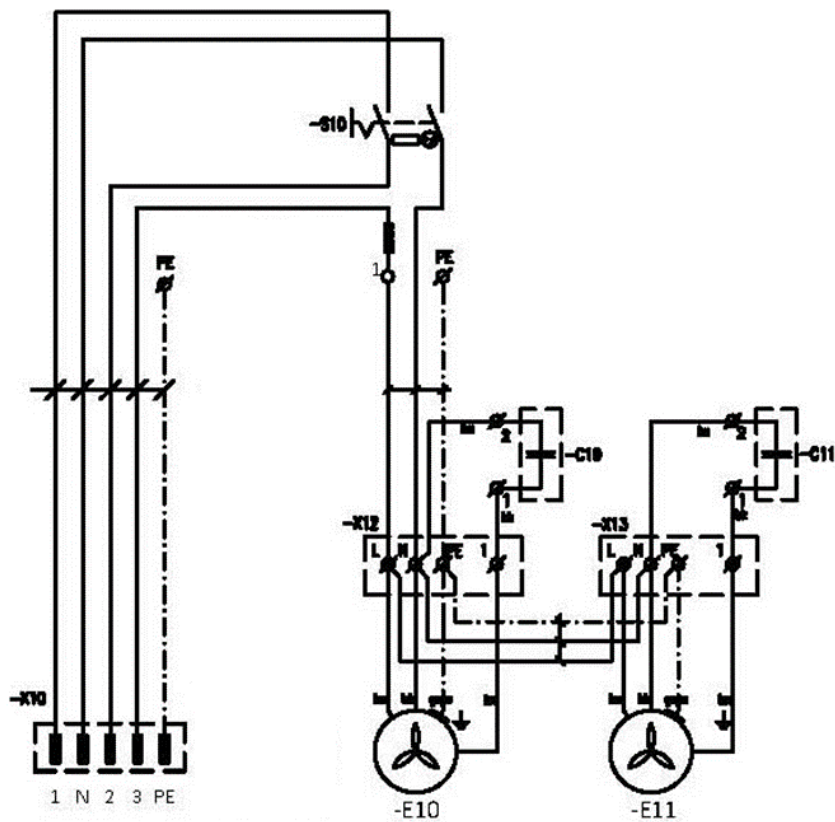
Armoire de compresseur

1/N/PE ~ 230V 50/60Hz

OBJET ÉLECTRIQUE de 1ère CATÉGORIE



DK50 4VR/50 S/M



DK50 2x4VR/110 S/M

Description du schéma électrique:

M1, M2	Moteur du compresseur	X2	Prise
E1 – E4	Ventilateur du compresseur	X3	Prise indicateur d'entretien
F3	Fusible	S10	Commutateur
F1, F2	Disjoncteur	X10,X11	Raccord
B1	Pressostat	E10 - E13	Ventilateur de l'armoire
B2	Commutateur de température	E6-E8	Ventilateur du sécheur
Q11,12	Stykač	M11, M12	Electrovanne – régénération
K1	Contacteur	M4	Électrovanne de décharge
P1	Compteur d'heures	RSA 10	Dispositif de commande
X1	Boîte à bornes		

FONCTIONNEMENT

SEUL UN PERSONNEL FORMÉ EST AUTORISÉ À FAIRE FONCTIONNER L'ÉQUIPEMENT !



Risque d'électrocution.

En cas d'urgence, débranchez le compresseur du secteur (retirez la prise secteur).



Risque de brûlure ou d'incendie.

Des parties des composants de l'agrégat et de l'air comprimé situées entre l'agrégat et le sécheur peuvent être chaudes et atteindre des températures dangereuses pendant le fonctionnement du compresseur, ce qui peut endommager les matériaux ou blesser le personnel exploitant.



Attention – Le compresseur est contrôlé automatiquement.

Démarrage automatique : lorsque la pression dans le réservoir baisse et s'approche de la limite inférieure du pressostat, le compresseur se met automatiquement en marche. Le compresseur s'arrête automatiquement lorsque la pression dans le réservoir d'air atteint le niveau de pression d'arrêt.



Risque d'endommagement des composants pneumatiques.

Les réglages de la pression de travail du pressostat effectués par le fabricant ne peuvent pas être modifiés. Le fonctionnement du compresseur à une pression de travail inférieure à la pression de commutation indique une forte consommation d'air (voir chapitre Dépannage).



Pour obtenir des performances de séchage optimales, vous devez absolument respecter les conditions d'utilisation indiquées.

Lorsque le sécheur fonctionne à une pression inférieure à la pression de travail minimum, les performances de séchage et le point de rosée atteints diminuent.



En cas d'utilisation prolongée du compresseur, la température ambiante du boîtier peut dépasser 40 °C. À ce stade, le ventilateur de refroidissement s'allume automatiquement. Le ventilateur s'arrête une fois que l'espace est refroidi à environ 32 °C.

17. ALLUMAGE DU COMPRESSEUR

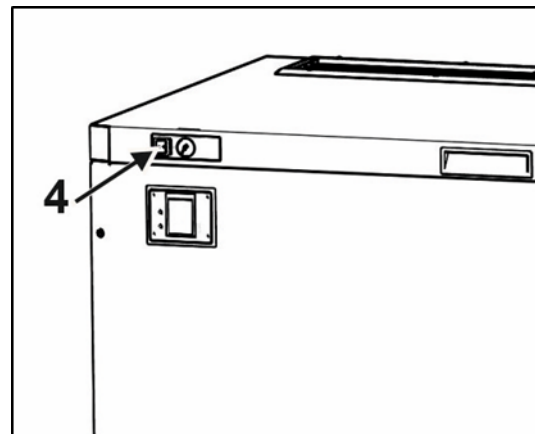
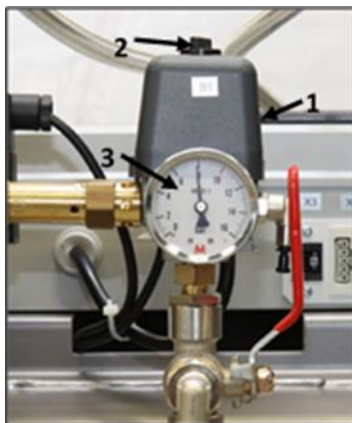
Démarrez le compresseur (sans armoire) au niveau du pressostat (1) en plaçant le sélecteur (2) sur la position « I ». Le compresseur démarre et remplit le réservoir jusqu'à la pression d'arrêt, ce qui arrête ensuite le compresseur.

Démarrez le compresseur (avec armoire) au niveau du commutateur (4) situé à l'avant de l'armoire. Cette opération démarre le compresseur et remplit le réservoir jusqu'à la pression d'arrêt, ce qui arrête ensuite le compresseur.

Le compresseur fonctionne en mode automatique et le pressostat commande sa mise en marche et son arrêt en fonction de la consommation d'air comprimé.

Vérifiez les valeurs de la pression de mise en marche et d'arrêt à l'aide du manomètre (3). Une tolérance de $\pm 10\%$ est acceptable. La pression du réservoir d'air ne doit pas dépasser la pression de fonctionnement autorisée.

Fig. 23: Allumage du compresseur



Risque d'endommagement des pièces pneumatiques.

Le pressostat (1) a été réglé par le fabricant et tout autre réglage ne peut être effectué que par un technicien qualifié et formé par le fabricant.

18. ARRÊT DU COMPRESSEUR

- L'arrêt du compresseur pour entretien ou pour toute autre raison s'effectue à partir du commutateur d'alternance (1) en tournant le sélecteur (2) sur la position « 0 » (Fig. 23) et **en débranchant la fiche secteur de la prise**. Cette opération permet de mettre le compresseur hors tension.
- Purgez à zéro la pression dans le réservoir d'air en ouvrant le clapet de purge.

SECHEUR AD

19. PRINCIPE DE FONCTIONNEMENT

Le sècheur est commandé par un signal provenant du pressostat du compresseur.

Lorsque le compresseur fonctionne, l'air comprimé entre dans le refroidisseur où il est refroidi, et une partie de l'humidité condensée est séparée dans le séparateur cyclique intégré. L'électrovanne V3 est située au fond du séparateur, et elle évacue le condensat du séparateur à intervalles réguliers.

L'air passe ensuite dans la chambre de la vanne logique OR1 qui détecte la pression. Si la pression dans la chambre de la vanne n'atteint pas $P1 = 3$ bars, les électrovannes de régénération V1 et V2 (de type normalement fermé) restent fermées et la régénération n'est pas déclenchée. Si la pression dans la chambre de la vanne logique atteint 3 bars, la commutation de la chambre est déclenchée grâce à la logique décrite au point 19.1.

Lorsque le signal du pressostat du compresseur se désactive, les vannes de régénération V1 et V2 s'ouvrent pendant une courte période pour évacuer l'agrégat du compresseur et pour ventiler la chambre de séchage.

La ventilation et la régénération du sècheur s'effectuent via le tuyau partagé avec la purge du séparateur des condensats et pour cette raison, la sortie des condensats ne peut pas être raccordée directement à un drain.

19.1. Régénération du sècheur

La régénération du sècheur est initiée lorsque la pression de travail $P1 = 3$. Pendant la régénération, les vannes V1 et V2 basculent cycliquement, avec un court délai (dT) pour égaliser les pressions dans les chambres et pendant lequel les deux vannes sont fermées avant chaque cycle de commutation.

La pression de travail s'effectue dans la chambre 1 et la chambre est dans la phase de séchage, tandis que la pression atmosphérique est présente dans la chambre 2 et que cette chambre est dans la phase de régénération. La chambre est régénérée par l'air passant par la buse du sècheur.

19.2. Mode économie d'énergie „Energy saving“ (uniquement pour les modèles équipés d'un capteur de point de rosée)

Les sècheurs équipés d'un capteur de point de rosée disposent d'une commande supplémentaire sur l'air de purge permettant de maintenir le point de rosée défini.

Une fois que le point de rosée requis est atteint, la régénération s'arrête pour optimiser la quantité d'air de purge. Lorsque la régénération s'arrête, les vannes V1 et V2 sont fermées (et donc la purge de la chambre avec de l'air sec s'arrête).

Ils continuent à alterner selon leur intervalle standard pour égaliser la charge sur les chambres.

Si le point de rosée augmente, le mode économie d'énergie „Energy saving“ se désactive et le sècheur continue de fonctionner avec la régénération activée.

Durée du mode Régénération désactivée

Le mode économie d'énergie „Energy saving“ avec régénération désactivée est limité dans le temps. Un cycle avec la régénération standard des deux chambres est ajouté après la fin d'un intervalle défini (4 commutateurs de chambre).

19.3. Système d'alerte

Toutes les alertes de l'appareil sont classées en tant qu'alertes techniques de faible priorité conformément à la norme EN 60601-1-8. Chaque alerte est indiquée au moyen d'un signal visuel correspondant (voir Chapitre 22) qui clignote. Appelez un prestataire de service agréé pour effectuer

les réparations requises en cas de panne.

Les états d'alerte indiquent une défaillance potentielle de l'appareil. Les signaux d'alerte ne peuvent donc pas être désactivés.

Tous les signaux d'alerte sont intermittents – les signaux d'alerte sont désactivés une fois que le facteur à l'origine de l'alerte n'existe plus.

Position de l'opérateur. Aucune position spécifique n'est requise pour l'opérateur. L'opérateur peut rester à portée de vue d'un signal d'avertissement visuel en fonction des conditions d'utilisation réelles.

Pression faible. Ce signal est actif lorsque le capteur de pression du sècheur détecte une pression faible dans le sècheur sous la limite définie de 3 bar. Une fuite d'air du compresseur/sècheur, un dysfonctionnement des électrovannes de contrôle sur le sècheur ou une erreur logicielle peuvent activer cette alarme pendant le fonctionnement.

Pression élevée. Ce signal s'active lorsque le capteur de pression du sècheur détecte une augmentation de la pression au-delà de la limite supérieure. L'agrégat s'arrêtera alors et restera à l'arrêt jusqu'à diminution de la pression. Si l'agrégat ne s'arrête pas, la surpression est évacuée par la soupape de sécurité sur le réservoir d'air du compresseur.

Point de rosée élevé. Ce signal s'active lorsque le capteur de point de rosée détecte une valeur de point de rosée élevée.

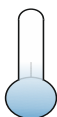
Expiration de l'intervalle d'entretien. Ce signal est activé jusqu'à ce que l'entretien soit effectué et que l'intervalle soit réinitialisé, ou qu'un nouvel intervalle d'entretien soit saisi.

20. INTERFACE / PARAMETRES UTILISATEUR

20.1. Signification des symboles à l'écran



Symbole représentant le manuel d'utilisation, ou indiquant de lire le manuel d'utilisation.



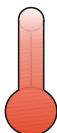
Symbole indiquant la température ambiante (à partir de 25 °C) liée au mode sélectionné.

Le programme ajuste le pré-remplissage de la chambre dans le mode donné.



Symbole indiquant la température ambiante (de 25°C à 30°C) liée au mode sélectionné.

Le programme ajuste le pré-remplissage de la chambre dans le mode donné.



Symbole indiquant la température ambiante (supérieure à 30°C) liée au mode sélectionné.

Le programme ajuste le pré-remplissage de la chambre dans le mode donné.



Retour au menu principal sur les 4 écrans principaux.



Retour



Symbole pour l'intervalle d'entretien



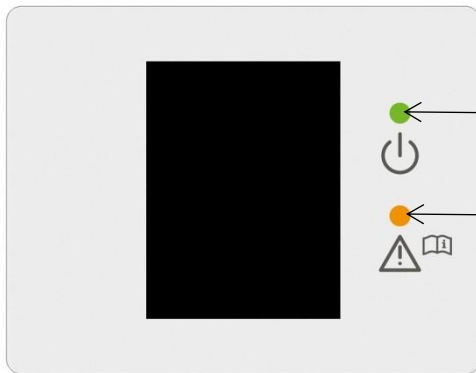
Symbole indiquant que la chambre de séchage est en cours de régénération



Symbole indiquant que la chambre de séchage est en cours de séchage



Symbole de pré-remplissage de la chambre – égalisation de la pression dans les chambres.

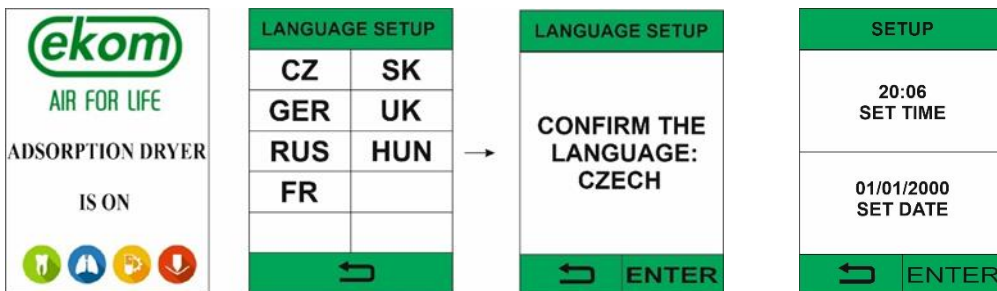


Indication que l'appareil est en cours d'utilisation

Indication d'un état d'alarme (activée jusqu'à ce que l'état d'alarme n'existe plus)

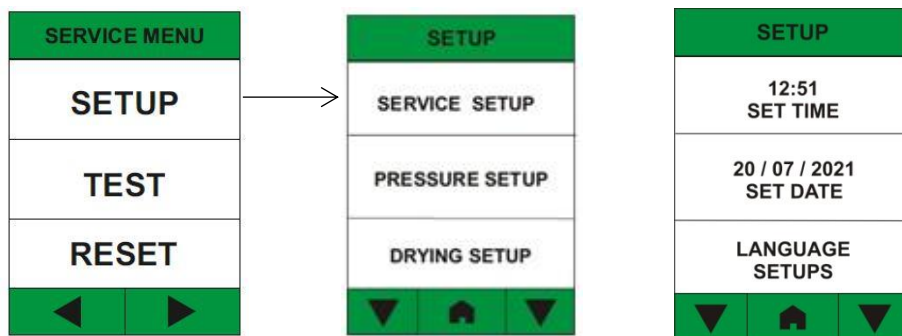
20.2. Paramètres initiaux de l'interface utilisateur

Les choix de la langue, de l'heure et de la date apparaissent lorsque le programme est lancé pour la première fois. Le technicien de service sélectionne la langue, l'heure et la date lors de l'installation en fonction du lieu d'installation du sècheur. Le programme enregistre et mémorise ce réglage. L'option n'apparaît pas lorsque vous redémarrez le programme. La confirmation de cette option lancera également le décompte des heures de service.



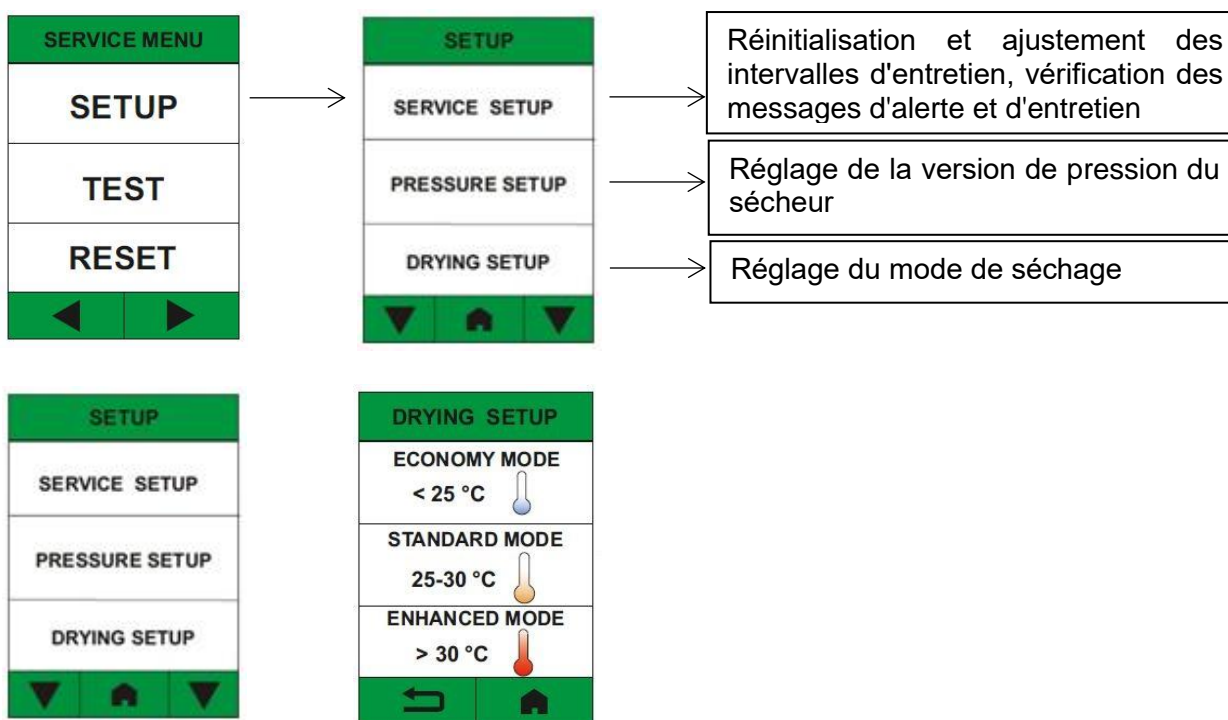
20.3. Réglage de la date et de l'heure lors de la mise en service

Il est recommandé de régler la date et l'heure lors de la mise en service. Ces paramètres doivent être modifiés dans le menu de service de la section SETUP. L'accès au menu de service est protégé par un code (1992). Dans SETUP (Configuration), vous devez appuyer sur la flèche vers le bas pour régler la date et l'heure. De la même façon, il est possible de réinitialiser la langue de l'interface utilisateur via LANGUAGE SETUP (Configuration de la langue).



20.4. Réglage du mode de séchage lors de la mise en service

Il est recommandé de paramétrer le mode de séchage d'air lors de la mise en service. Ces paramètres sont modifiés dans le menu de service de la section SERVICE SETUP (Configuration de service). L'accès au menu de service est protégé par un code.



Le mode de séchage est défini en fonction de la plage de pression qu'utilisera l'appareil et de la version du compresseur (avec ou sans armoire).

- compresseur sans armoire $t_0 < 25\text{ °C}$ - réglé en mode ECONOMY (économie)
- compresseur sans armoire $t_0 = 25\text{ °C} - 30\text{ °C}$ - réglé en mode STANDARD
- compresseur sans armoire $t_0 > 30\text{ °C}$ - réglé en mode ENHANCED (amélioré)
- compresseur en armoire - réglé sur le mode ENHANCED (amélioré)

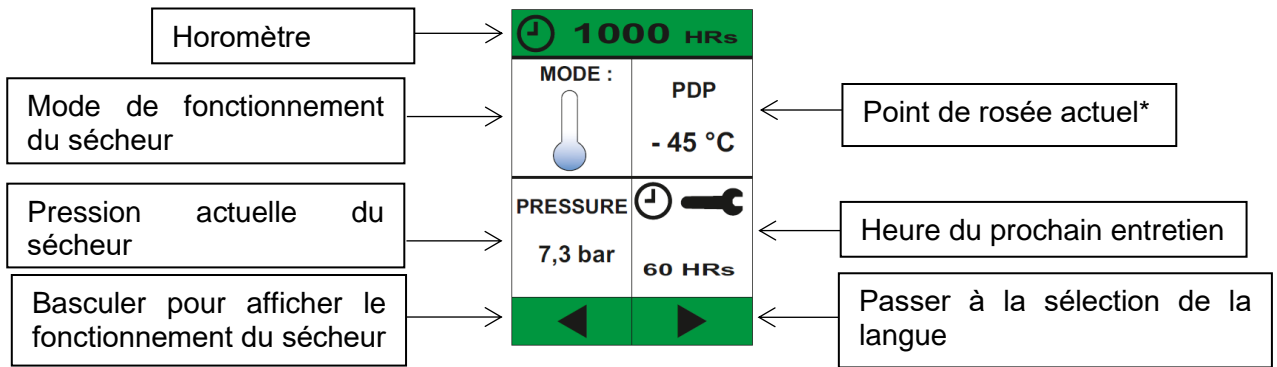
t_0 - température ambiante

21. ÉCRANS PRINCIPAUX

L'écran d'accueil s'ouvre une fois que vous réglez la langue de l'interface utilisateur. Il existe quatre écrans principaux accessibles à partir de l'écran d'accueil.

Les flèches au bas de l'écran sont utilisées pour naviguer entre les différents écrans.

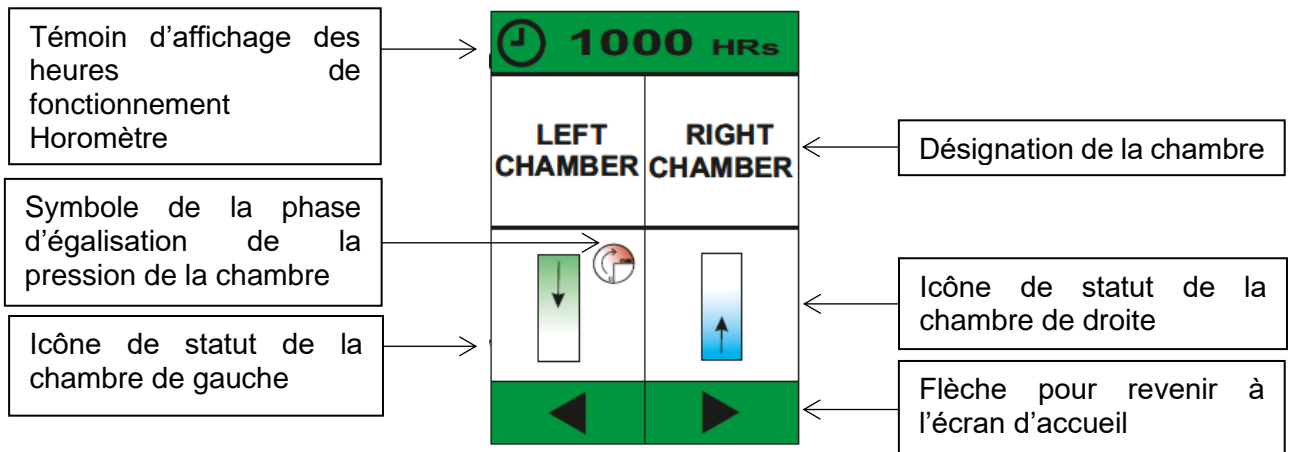
21.1. Écran d'accueil



(*cette information ne s'affiche que si le compresseur est équipé d'un capteur de point de rosée)

- Les informations de base et les paramètres mesurés s'affichent sur l'écran d'accueil du sécheur. L'indicateur des heures de fonctionnement du sécheur est situé sur la partie supérieure de l'écran. L'écran d'accueil comporte 4 zones de texte principales qui affichent les informations suivantes:
- Mode de fonctionnement du sécheur (voir Chap. 20.1)
- Pression actuelle dans le sécheur (la pression de travail minimale pour activer la régénération du sécheur est de 3 bars)
- Valeur actuelle du point de rosée de la pression (uniquement pour les compresseurs équipés de capteurs de point de rosée)
- Temps restant jusqu'au prochain intervalle d'entretien (voir Chap. 22.1, 22.2 – intervalles de service)

21.2. Écran de fonctionnement du sécheur



L'indicateur des heures de fonctionnement du sécheur est situé sur la partie supérieure de l'écran. L'écran de fonctionnement du sécheur est également divisé en 4 vignettes, qui décrivent les cycles de fonctionnement de la chambre de séchage à l'aide d'une représentation graphique des états de fonctionnement de chaque chambre.



Symbole indiquant que la chambre de séchage est en cours de régénération



Symbole indiquant que la chambre de séchage est en cours de séchage



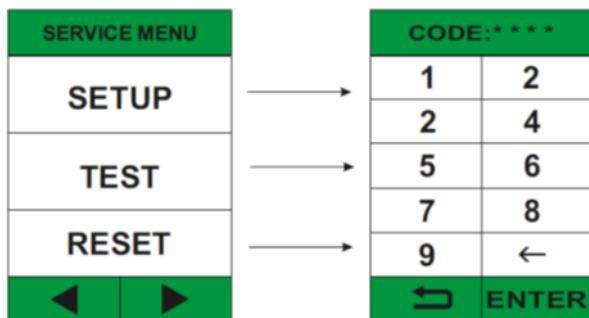
Symbole de pré-remplissage de la chambre – égalisation de la pression dans les chambres.

21.3. Écran des paramètres de langue



L'écran des paramètres de langue est l'un des écrans principaux.

21.4. Écran du menu Entretien



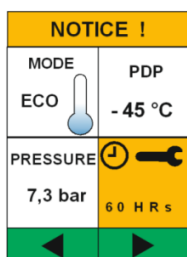
Le menu Entretien est exclusivement destiné au personnel d'entretien. L'accès aux différents éléments du menu est protégé par un mot de passe 1992.

22. INDICATION DES ETATS DE MAINTENANCE ET D'ALARME

Le contrôleur du sécheur par adsorption est capable de mesurer des paramètres sélectionnés (pression et point de rosée sous pression dans les versions avec capteur de point de rosée) et d'évaluer les états de fonctionnement de base du sécheur.

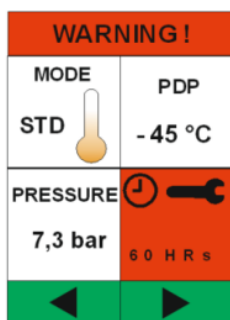
Sur la base des paramètres mesurés et des détails relatifs à l'entretien, le contrôleur affiche des informations sur les défauts grâce aux notifications et avertissements suivants.

22.1. Notification - Prochain intervalle d'entretien



- 100 heures de fonctionnement avant le prochain intervalle d'entretien, **une notification jaune apparaît « Notification ! » („Notice!“)**. La vignette d'entretien s'allume également en orange.
- **Les heures restantes jusqu'au prochain intervalle d'entretien s'affichent également.**
- **L'avertissement s'affiche jusqu'à ce que l'entretien soit terminé et que l'intervalle d'entretien soit réinitialisé.**

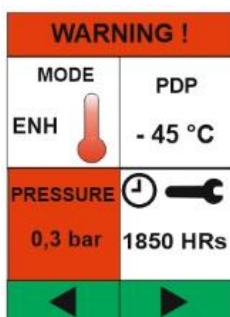
22.2. Avertissement - Intervalle d'entretien dépassé



- Un avertissement rouge s'affiche « Avertissement ! » („Warning!“).une fois l'intervalle d'entretien dépassé. La vignette d'entretien s'allume également en rouge.
- L'avertissement s'affiche jusqu'à ce que l'entretien soit terminé et que l'intervalle d'entretien soit réinitialisé.
- Les heures restantes avant le prochain intervalle d'entretien s'affichent également.
- Une liste d'avertissements est enregistrée dans le « Journal des avertissements » („Warning log“).
- Le sécheur continue de fonctionner normalement

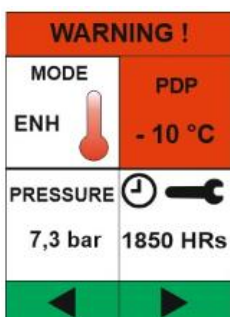
22.3. Conditions d'alarme

Haute/basse pression



- Un avertissement rouge s'affiche « Avertissement ! » („Warning!“) si une basse pression (< 3 bars) ou une pression élevée (> 8,5 bars, ou > 10,5 bars selon la version de pression) est détectée. Dans le même temps, la vignette de la pression actuelle s'allume en rouge.
- L'avertissement s'affiche tant que la condition d'alarme persiste.
- Une liste d'avertissements est enregistrée dans le « Journal des avertissements » („Warning log“).
- Le sécheur ne fonctionne pas normalement, la régénération n'est pas initiée, le compresseur doit être arrêté.

Point de rosée élevé



- Cet avertissement est accessible uniquement sur les sécheurs équipés de capteurs de point de rosée
- Un avertissement rouge s'affiche « Avertissement ! » („Warning!“) si un point de rosée élevé est détecté (> - 20 °C, ou. > - 40 °C en fonction de la version du sécheur). Dans le même temps, la vignette de point de rosée de la pression actuelle s'allume en rouge.
- L'avertissement s'affiche tant que la condition d'alarme persiste.
- Une liste d'avertissements est enregistrée dans le « Journal des avertissements » („Warning log“).
- Le sécheur ne fonctionne pas correctement ou est utilisé en dehors des conditions d'utilisation recommandées, le compresseur doit être arrêté.



Après la première mise en service, il peut s'écouler jusqu'à 50 heures avant que le compresseur n'atteigne le point de rosée requis. Pendant ce temps, l'avertissement de point de rosée élevé ne s'affiche pas. Si le sécheur ne parvient pas à atteindre le point de consigne du point de rosée, veuillez contacter le personnel de service.

22.4. Écran « Appeler le service » „Call Service“



- L'écran « Appeler le service » „Call Service“ alterne avec l'écran principal si une notification ou un avertissement se produit.

MAINTENANCE DE L'APPAREIL**23. MAINTENANCE DE L'APPAREIL**

L'opérateur doit s'assurer que des tests répétés de l'appareil sont effectués au moins une fois tous les 24 mois (EN 62353) ou à des intervalles définis par les réglementations nationales applicables. Un procès-verbal des résultats de ces tests doit être rempli (par ex., conformément à la norme EN 62353, annexe G) avec les méthodes de mesure.

L'appareil a été conçu et fabriqué de manière à réduire au minimum les travaux d'entretien. Vous devez effectuer les tâches suivantes pour préserver le fonctionnement correct et fiable du compresseur.



Risque d'interférence non autorisée.

Les travaux de réparation en dehors du cadre de la maintenance standard (voir chapitre 23.1) ne peuvent être effectués que par un technicien qualifié (une entité autorisée par le fabricant) ou par le service client du fabricant.

Les travaux d'entretien standard (voir chapitre 23.1) ne peuvent être effectués que par le personnel qualifié de l'opérateur.

Utilisez uniquement des pièces et accessoires de rechange approuvés par le fabricant.



Risque de blessures ou de dommages matériels.

Avant de commencer l'entretien du compresseur, il est nécessaire de :

- vérifier s'il est possible de débrancher le compresseur de l'appareil afin d'éviter tout risque de blessures corporelles lors de l'utilisation de l'appareil ou tout autre dommage matériel ;
- éteindre le compresseur ;
- le débrancher du secteur (en tirant le cordon de la prise de courant) ;
- purger l'air comprimé du réservoir d'air.



La purge de l'air comprimé présente un risque de blessures.

Portez des protections oculaires (lunettes de protection) lorsque vous purgez l'air comprimé du circuit d'air comprimé (réservoir d'air).



Risque de brûlure.

Lorsque le compresseur est en marche ou peu de temps après sa mise en marche, certaines parties de la pompe à air, le système d'air comprimé du compresseur, les pièces du sécheur et les tuyaux de raccordement entre le compresseur et le sécheur peuvent être chauds - ne pas toucher ces composants.



Si vous déconnectez le conducteur de mise à la terre pendant l'entretien, reconnectez-le dans sa position initiale une fois l'entretien terminé.

- Pour tout travail d'entretien ou de réparation, retirez le compresseur de l'armoire par un mouvement de traction (sur des roulettes autant que le permet la longueur du câble entre le compresseur et l'armoire). (Voir chap. 23) La maintenance requise ou le travail de réparation peuvent être effectués.
- Si le cordon entre le compresseur et l'armoire est débranché (en tirant sur la prise secteur, voir chap. 13.2), alors le compresseur ne fonctionne pas. Pour remettre le compresseur en marche, veuillez vous référer aux chapitres 13.2, 23.8 ou 23.9.

Intervalle de temps	Effectué par le technicien qualifié					
	Nomenclature des pièces de rechange	603022493-000	603022485-000	069000317-000	025300117-000	-
Étalonnage du capteur de point de rosée	-					
Remplacement des cassettes par un milieu adsorbant Sécheur AD 280 ^{c)}	23.12	Voir le manuel d'entretien				23
24 000 h					x	
20000 h		x	x			
16 000 h				x		
12000 h						
10000 h		x	x			
8000 h						
6000 h						
4000 h						
2000 h						
une fois tous les 6 ans					x	
une fois tous les 4 ans				x		
une fois tous les 2 ans	x	x	x			x
une fois par an						
une fois par semaine						
une fois par jour						
Remplacement de la bille de soupape logique du sécheur						
Remplacement de l' électrovanne du sécheur ^{d)}						
Réalisation des « tests répétés » conformément à la norme EN 62353						

a) les données sont présentées en heures ; si elles ne sont pas disponibles, elles sont présentées en années
 b) vérifiez le fonctionnement de la soupape de décharge du sécheur après chaque dysfonctionnement du sécheur
 c) Selon la première éventualité : 2 ans/10000 heures
 d) Selon la première éventualité: 6 ans/ 24000 heures

23.2. Vérification du fonctionnement de l'appareil

- Contrôle de l'état de l'agrégat – les agrégats doivent fonctionner normalement sans vibrations ou bruits excessifs. Réglez tout problème ou contactez le personnel d'entretien si vous détectez un problème.
- Contrôle visuel du fonctionnement du ventilateur – assurez-vous que les ventilateurs sont en marche lors du fonctionnement des agrégats. Réglez tout problème ou contactez le personnel d'entretien si vous détectez un problème.
- Vérifiez que le câble d'alimentation et les tuyaux de raccordement d'air comprimé ne sont pas endommagés. Remplacez les composants endommagés ou contactez le personnel d'entretien.
- Contrôle de la température ambiante – la température ambiante doit être inférieure à la limite de température (40 °C). Refroidissez l'espace si la température est élevée.
- Compresseur avec sécheur d'air - ouvrez le bouchon de la cuve de collecte de condensats et vidangez le condensat.
- Vérifier l'indicateur de service sur l'écran d'affichage et programmer l'entretien au besoin.
- Vérifiez l'état de fonctionnement de l'équipement (voir chapitre 23.4).

23.3. Vérifiez l'étanchéité des raccords d'air comprimé et inspectez l'équipement

Test d'étanchéité

- Vérifiez les fuites d'air comprimé dans les conduites d'air pendant le fonctionnement – la pression fournie par le compresseur.
- Utilisez un analyseur de fuite ou de l'eau savonneuse pour vérifier la présence de fuites sur tous les joints et raccords. Resserrez ou refermez les branchements où des fuites sont présentes.

Inspection de l'équipement :

- Vérifiez l'état de fonctionnement normal et les niveaux sonores de l'agrégat du compresseur.
- Vérification du fonctionnement du ventilateur – les ventilateurs doivent fonctionner pendant les cycles de travail définis du compresseur.
- Vérification de la fonction du commutateur de température (B2) – chauffez le commutateur de température à une température supérieure à 40 °C (par exemple : à l'aide d'un pistolet thermique – Attention, évitez de l'utiliser sur des composants en plastique qui se trouvent à proximité, car il pourrait entraîner la déformation des matières plastiques). Ventilateur E1, E3 - le compresseur doit être sous tension.
- Vérification de l'état des filtres – les filtres doivent être intacts et suffisamment propres.
- Vérifiez l'état de la pompe et assurez-vous qu'aucune saleté ne se trouve à l'intérieur du carter ou qu'aucun jeu du vilebrequin ne se produit.
- Remplacez toute pièce défectueuse en cas de défaillance.
- Vérifier les électrovannes du module de soupape – les soupapes doivent tourner de manière cyclique entre les chambres conformément à la description du fonctionnement.
- Vérifiez l'état de fonctionnement de l'équipement (voir chapitre 23.4).

23.4. Inspection des branchements électriques



Risque d'électrocution.

Inspectez les connexions électriques de l'appareil lorsqu'il est débranché du secteur.

- Vérifiez la fonction mécanique du commutateur principal.
- Vérifiez que le câble d'alimentation et les conducteurs ne sont pas endommagés.
- Vérifiez visuellement si les câbles sont connectés à la boîte à bornes.
- Vérifiez tous les raccords vissés du conducteur de protection PE mis à la terre vert-jaune.

23.5. Purge de condensat



Un sol humide résultant d'un débordement du navire présente un risque de glissade.

Videz régulièrement le réservoir de récupération des condensats.

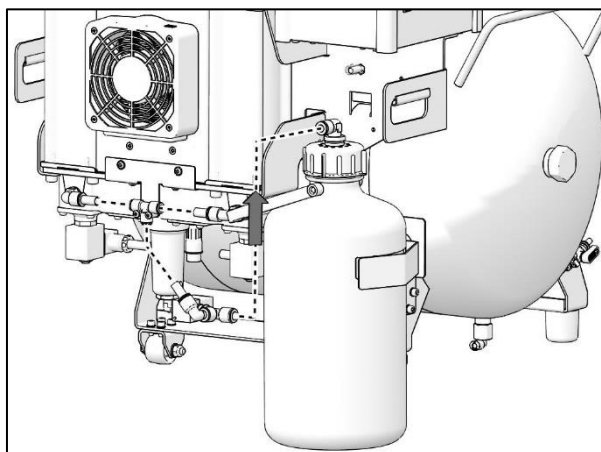


Éteignez le compresseur à chaque fois avant de vider le réservoir !

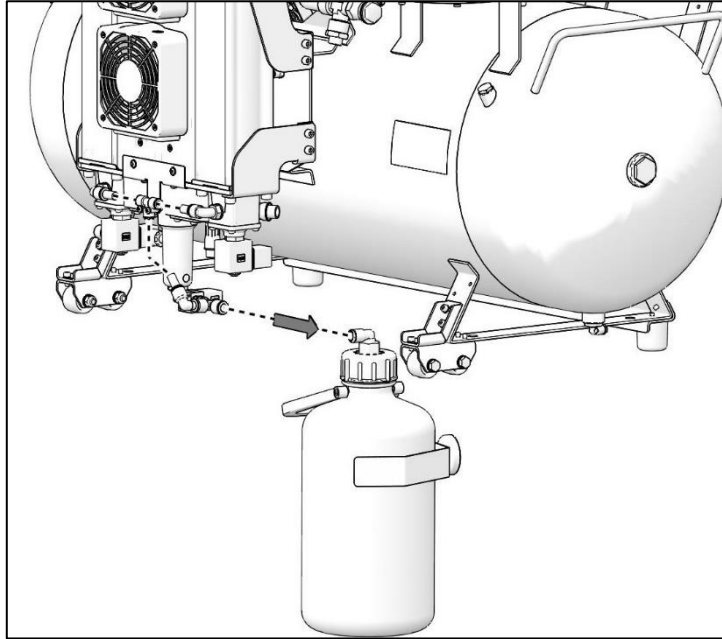
Les condensats sont automatiquement évacués dans le réservoir de récupération des condensats.

- Surveillez le niveau de la cuve à l'aide des marques (en fonction du volume de la cuve), et videz-la au moins une fois par jour.

Fig. 24: Vérification de la cuve de collecte de condensats



DK50 4VR/50/M



DK50 2x4VR/110/M



Avant les vérifications suivantes, il est nécessaire:

- Pour les modèles de compresseur avec armoire, tirez le verrou de la porte et ouvrez la porte de l'armoire.

23.6. Contrôle de la soupape de sécurité

- Tournez la vis (2) de la soupape de sûreté (1) plusieurs fois à gauche jusqu'à ce que de l'air s'échappe de la soupape de sûreté.
- Laissez l'air s'échapper pendant un court instant.
- Tournez la vis (2) jusqu'à butée vers la droite, puis fermez la vanne.



Fig. 25: Contrôle de la soupape de sécurité



L'endommagement de la soupape de sûreté pourrait faire monter la pression à des niveaux dangereux.

La soupape de sûreté ne doit pas être utilisée pour évacuer la pression du réservoir d'air. Le fonctionnement de la soupape de sécurité pourrait s'en trouver compromis. La vanne est réglée à la pression maximale autorisée par le fabricant.

Ne réglez jamais une soupape de sûreté.



La purge de l'air comprimé présente un risque de blessures.

Portez des lunettes de sécurité lors de l'inspection d'une soupape de sécurité.

23.7. Remplacement du filtre d'entrée

Le filtre d'entrée (1) se trouve à l'intérieur du capot du carter du compresseur.

Remplacement du filtre d'entrée :

- Tirez le bouchon en caoutchouc (2) avec la main.
- Retirez le filtre d'aspiration encrassé (1).
- Insérez un nouveau filtre et refermez le bouchon en caoutchouc.

Remplacement du préfiltre:

- Tirez le préfiltre (3) avec la main.
- Remplacez-le par un nouveau et réinsérez-le.

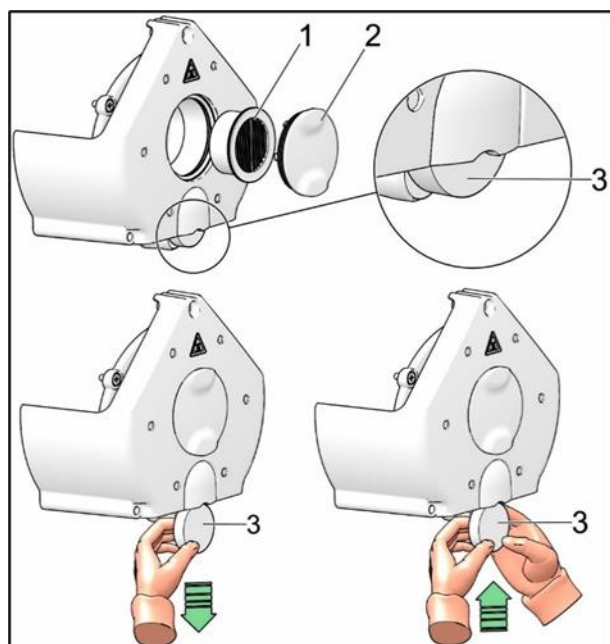


Fig. 26: Remplacement du filtre d'entrée

23.8. Procédure de raccordement d'un compresseur déconnecté de l'armoire



Avant toute opération de maintenance ou de réparation, éteignez le compresseur et débranchez-le.

Pour bien fonctionner, le compresseur (sans armoire) exige que le cavalier soit toujours monté dans la barrette de fixation (Fig. 27 pos. C,D, Fig. 28 pos. D). Il remplace ensuite le commutateur sur l'armoire.



Si aucun cavalier n'est monté dans la barrette de fixation du compresseur (déconnecté de l'armoire), le compresseur ne fonctionne pas !

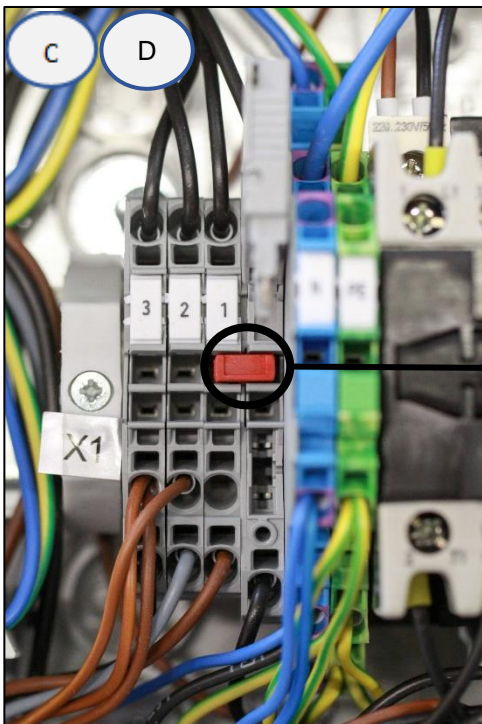
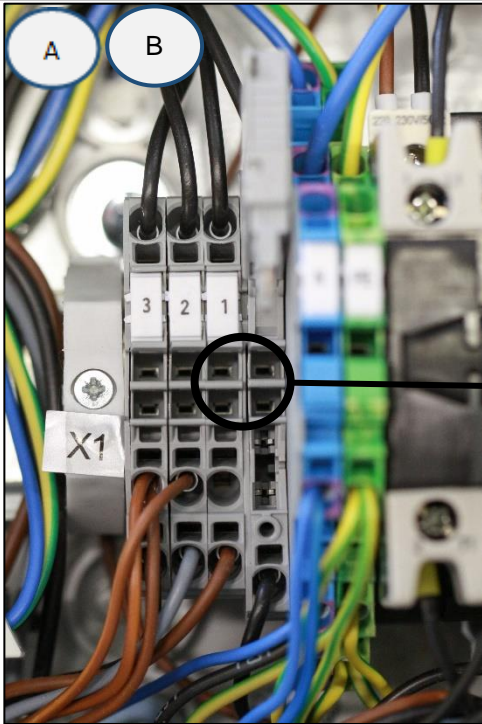
Si le cordon entre le compresseur et l'armoire est débranché (en tirant sur la prise secteur) et que le compresseur est retiré de l'armoire, ce dernier ne fonctionnera pas. C'est pourquoi il est nécessaire d'établir un raccordement à la barrette de fixation au moyen d'un cavalier (jouant le rôle de disjoncteur). (Fig. 27 pos. A,B, Fig. 28 pos. A)

PROCÉDURE :

Installation du cavalier (procédure A-B-C-D):

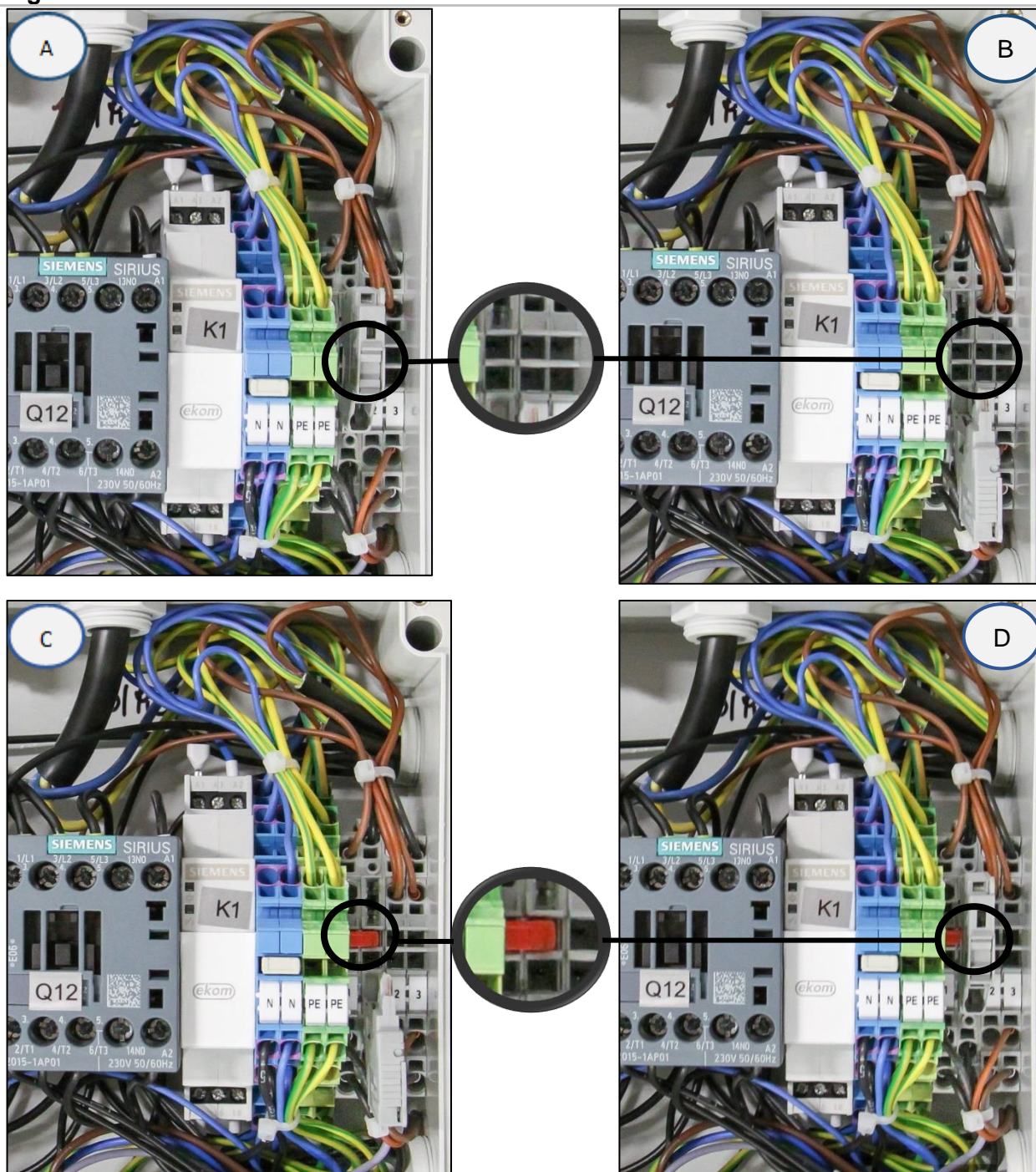
- Débranchez l'appareil du secteur en retirant la fiche de la prise.
- Retirez le capot du panneau électrique (du compresseur).
- Le cavalier n'est pas dans la barrette de raccordement - A.
- Soulevez le couvercle du fusible - B.
- Insérez le cavalier dans la barrette de raccordement - C.
- Refermez le couvercle du fusible - D.
- Remettez en place le capot du panneau électrique.
- Raccordez l'appareil au réseau électrique.
- Activez le compresseur en actionnant le pressostat.

Fig. 27: DK50 4VR/50/M



400V

Fig. 28: DK50 2x4VR/110/M



400 V

23.9. Procédure de raccordement d'un compresseur à la nouvelle armoire



Avant toute opération de maintenance ou de réparation, éteignez le compresseur et débranchez-le.

Lorsque le compresseur est dans l'armoire, il n'est pas nécessaire, pour qu'il fonctionne normalement, de monter le cavalier dans la barrette de raccordement (Fig. 27 pos. A,B, Fig. 28 pos. A). Le commutateur de l'armoire permet d'actionner ou d'arrêter complètement le produit, y compris le compresseur



Si un cavalier est monté dans la barrette de raccordement du compresseur connecté à une armoire, le commutateur de l'armoire du compresseur ne fonctionne pas !

Si vous souhaitez raccorder une nouvelle armoire à un compresseur jusque-là utilisé seul (sans armoire), il est nécessaire de supprimer le raccordement de la barrette de fixation du compresseur en suivant la procédure ci-après. (Fig. 27, Fig. 28) (Voir également chapitres 13.1 et 13.2).

PROCÉDURE :

Retrait du cavalier (procédure D-C-B-A)

- Débranchez l'appareil du secteur en retirant la fiche de la prise.
- Retirez le capot du panneau électrique (du compresseur).
- Le cavalier se trouve dans la barrette de raccordement - D
- Soulevez le couvercle du fusible - C
- Retirez le cavalier de la barrette de raccordement - B
- Refermez le couvercle du fusible – A
- Remettez en place le capot du panneau électrique
- Insérez le compresseur dans le boîtier.
- Raccordez l'armoire au compresseur en insérant le cordon d'alimentation avec la fiche dans la prise secteur. (Fig. 13)
- Branchez le connecteur sur l'écran de la porte avant de l'armoire.
- Raccordez l'appareil au réseau électrique
- Activez le compresseur en actionnant le pressostat et le commutateur (4) de l'armoire (Fig. 23)

Compresseur avec armoire - en cas d'utilisation d'un compresseur avec armoire, aucun branchement électrique ne doit être effectué. (Fig. 27 pos. A,B, Fig. 28 pos. A)

Remarque : **Dans le cas où vous utilisez un compresseur sans armoire ou dans le cas d'une opération de maintenance, un cavalier non installé sur la barrette de raccordement doit être conservé** à un endroit prévu à cet effet, à côté du panneau électrique.

23.10. Nettoyage et désinfection des surfaces extérieures de l'appareil

Nettoyez et désinfectez les surfaces extérieures avec des produits de nettoyage neutres.



L'utilisation de détergents et de désinfectants agressifs contenant de l'alcool et des chlorures peut entraîner des dommages et une décoloration des surfaces.

23.11. Inspection du refroidisseur et du ventilateur

Les composants, notamment le ventilateur du compresseur, le ventilateur du refroidisseur et le refroidisseur, doivent être maintenus propres pour un séchage efficace. Retirez la poussière de la surface des ailettes de refroidissement et des ventilateurs en aspirant ou en soufflant l'air comprimé.

23.12. Étalonnage du capteur de point de rosée

Il est recommandé d'étalonner la sonde de point de rosée tous les 2 ans sur les compresseurs équipés de cette sonde. L'étalonnage est effectué par le fabricant (Vaisala) et doit être commandé en ligne.

Processus de commande de l'étalonnage de capteur :

- Rendez-vous sur le site Web www.vaisala.com, puis accédez à la section *Soutien (Services)* et sélectionnez *Services d'étalonnage et de réparation (Calibration and repair services)*.
- Indiquez ensuite le type de capteur (type de capteur: **DMT143**) et sélectionnez un type d'étalonnage, puis suivez les instructions indiquées.
- Après avoir retiré le capteur de point de rosée, l'emplacement où le capteur a été installé doit être fermé à l'aide de la fiche fournie et scellé avec l'adhésif fourni (s'applique aux compresseurs DK50 4VR/50/M).

24. ARRÊT PROLONGÉ

Si le compresseur n'est pas utilisé pendant une longue période, il est recommandé de vider tout le condensat du réservoir d'air et de mettre le compresseur en marche pendant environ 10 minutes, en gardant la soupape de vidange ouverte. Ensuite, arrêtez le compresseur à l'aide du commutateur (2) du pressostat (1) (Fig. 23), puis fermez la soupape de vidange et débranchez l'appareil du secteur.

25. MISE AU REBUT DE L'APPAREIL

- Débranchez l'équipement du secteur.
- Évacuez la pression d'air du réservoir en ouvrant la soupape de vidange.
- Mettez l'appareil au rebut conformément à l'ensemble des réglementations en vigueur.
- Confiez le tri et l'élimination des déchets à une entreprise spécialisée.
- Les composants usés n'ont aucun impact négatif sur l'environnement.

DÉPANNAGE

Risque d'électrocution.

Avant d'intervenir sur l'appareil, débranchez-le au préalable du secteur (retirez la prise de courant).



La manipulation des composants pneumatiques sous pression présente un risque de blessure.

Avant d'intervenir sur l'équipement, purgez totalement le réservoir d'air et le système d'air comprimé.



Le dépannage peut uniquement être effectué par des techniciens qualifiés.



L'endommagement de la soupape de sûreté pourrait faire monter la pression à des niveaux dangereux.

Ne jamais ajuster une soupape de sûreté.

Dysfonctionnements	Cause possible	Solution
Le compresseur ne se met pas en marche	Pas de tension dans le pressostat	Vérifiez la tension de la prise
		Vérifiez le commutateur du disjoncteur - mettez le commutateur en position marche « I »
		Le conducteur de la borne est desserré – réparez-le
		Vérifiez le cordon électrique - remplacez le cordon défectueux
	Défaillance de l'enroulement du moteur, protection thermique endommagée	Remplacez le moteur ou les enroulements
Défaillance du condensateur	Remplacez le condensateur	
Piston ou autres parties rotatives grippés	Remplacez les composants endommagés	
Le pressostat ne fonctionne pas	Vérifiez le fonctionnement du pressostat	
Le compresseur est régulièrement activé	Fuite d'air dans le système pneumatique	Vérifiez le système pneumatique – scellez les raccords mal fixés
	Fuite du clapet anti-retour (SV)	Nettoyez le clapet anti-retour, remplacez les joints d'étanchéité, remplacez le clapet anti-retour
	Grand volume de liquide condensé dans le réservoir sous pression	Vidangez le liquide condensé
	Capacité de compresseur faible	Vérifiez le temps de remplissage du réservoir d'air
Pression faible dans le réservoir d'air (le compresseur)	Consommation d'air élevée des équipements fournis	Réduisez la consommation d'air Utilisez un compresseur d'une plus grande capacité

fonctionne en continu)	Fuite dans le système pneumatique	Vérifiez le système pneumatique – scellez les raccords mal fixés
	Faible capacité de la pompe	Nettoyez / remplacez la pompe
	Défaillance de la pompe	Nettoyez / remplacez la pompe
	Dysfonctionnement du sécheur	Remplacez le sécheur
Utilisation prolongée du compresseur	Fuite d'air dans le système pneumatique	Vérifiez le système pneumatique – scellez les raccords mal fixés
	Bague de piston usée	Remplacez les bagues de piston usées
	Filtre d'entrée encrassé	Remplacez le filtre encrassé par un filtre neuf
	Dysfonctionnement de l'électrovanne	Réparez ou remplacez le ventilateur ou la bobine
Compresseur bruyant (cognements, bruits de métal)	Roulement de piston, tiges de piston, roulement moteur endommagés	Remplacez le roulement endommagé
	Élément d'amortissement (ressort) desserré (fissuré)	Remplacez le ressort endommagé
Le sécheur ne sèche plus (eau condensée dans le réservoir) *	Ventilateur du refroidisseur défectueux	Remplacez le ventilateur Vérifiez la source d'alimentation
	Sécheur endommagé	Remplacez le sécheur
	Dispositif automatique de purge de condensat défectueux	Nettoyez / remplacez
Dégradation des performances de séchage - point de rosée à haute pression (eau condensée dans l'air)	Pression de fonctionnement basse	Réduisez la demande d'air, vérifiez le rendement de la source d'air comprimé, réparez les éventuelles fuites du système de distribution
	L'électrovanne de régénération ne fonctionne pas	Vérifiez le fonctionnement de la bobine, remplacez-la si elle est endommagée Inspectez l'état de la valve - nettoyez la soupape ou remplacez-la si les problèmes persistent
	Buse de régénération d'air obstruée	Nettoyez ou remplacez la buse (voir le chapitre Entretien de l'appareil)
	Le ventilateur de refroidissement ne fonctionne pas	Vérifiez la source d'alimentation du ventilateur Remplacez le ventilateur endommagé
	Refroidisseur sale	Inspectez le refroidisseur et nettoyez-le si nécessaire
	Silencieux obstrué à la sortie de la vanne de régénération	Inspectez les silencieux. Nettoyez ou remplacez le silencieux si la résistance à l'écoulement est trop élevée ou s'il est fortement encrassé.
Sécheur émettant des niveaux de bruit élevés	Ventilateur endommagé	Remplacez le ventilateur endommagé
	Silencieux endommagé	Remplacez le silencieux
	Fuite d'air par la soupape de décharge à l'entrée du sécheur	Vérifiez le branchement du sécheur à l'alimentation secteur et les autres

		raccords du sécheur, vérifiez le fonctionnement du sécheur, vérifiez la pression de fonctionnement du sécheur et remplacez les composants défectueux.
Fuite d'air par la soupape de décharge à l'entrée du sécheur	Haute pression de travail provenant d'une source d'air	Vérifiez le réglage de la pression sur la source d'air comprimé
	L'électrovanne d'entrée du séchoir ne fonctionne pas	Vérifiez le fonctionnement de la bobine, remplacez-la si elle est endommagée
		Inspectez l'état de la valve - nettoyez la soupape ou remplacez-la si les problèmes persistent
	Haute pression dans l'équipement résultant de l'obstruction des filtres	Vérifiez les filtres internes et les ensembles filtres des accessoires. Nettoyez ou remplacez les filtres obstrués.

)* Nettoyez soigneusement les surfaces intérieures du réservoir d'air et retirez tout le liquide condensé après la panne du sécheur.

Une fois qu'une panne du sécheur est corrigée et après son remontage, le sécheur doit être rapidement régénéré, de préférence en utilisant le compresseur en continu à une pression d'environ 1 bar pendant une période d'au moins 1 heure ; puis vérifiez la sécheresse de l'air comprimé.



Vérifiez la teneur en humidité de l'air sortant du réservoir d'air (voir le chapitre Données techniques) pour éviter d'endommager l'équipement connecté en aval.

26. SERVICE DE REPARATION

Toutes les réparations, sous garantie ou après l'expiration de celle-ci, doivent être effectuées par le fabricant, son représentant agréé ou par le personnel d'entretien agréé par le fournisseur.

Attention.

Le fabricant se réserve le droit d'apporter des modifications à l'appareil sans préavis. Les modifications apportées n'affecteront en aucun cas les propriétés fonctionnelles de l'équipement.

ОГЛАВЛЕНИЕ

ВАЖНЫЕ СВЕДЕНИЯ	224
1. СООТВЕТСТВИЕ ТРЕБОВАНИЯМ ДИРЕКТИВ ЕВРОПЕЙСКОГО СОЮЗА	224
2. НАЗНАЧЕНИЕ.....	224
3. ПРОТИВОПОКАЗАНИЯ И ПОБОЧНЫЕ ЭФФЕКТЫ.....	224
4. ПРЕДУПРЕЖДЕНИЯ И СИМВОЛЫ	224
5. ПРЕДУПРЕЖДЕНИЯ	225
6. ХРАНЕНИЕ И ТРАНСПОРТИРОВКА.....	227
ОПИСАНИЕ ИЗДЕЛИЯ	228
7. ВАРИАНТЫ ИСПОЛНЕНИЯ.....	228
8. ПРИНАДЛЕЖНОСТИ.....	229
9. ПРИНЦИП ДЕЙСТВИЯ ИЗДЕЛИЯ.....	230
ТЕХНИЧЕСКИЕ ХАРАКТЕРИСТИКИ	237
УСТАНОВКА.....	249
10. УСЛОВИЯ ПРИ УСТАНОВКЕ.....	249
11. КОМПРЕССОРНАЯ УСТАНОВКА.....	249
12. ПНЕВМАТИЧЕСКИЕ СОЕДИНЕНИЯ.....	254
13. ЭЛЕКТРИЧЕСКИЕ СОЕДИНЕНИЯ	256
14. РАЗМЕЩЕНИЕ КОМПРЕССОРА В ШКАФУ	258
15. ПЕРВЫЙ ЗАПУСК УСТРОЙСТВА.....	264
16. ПНЕВМАТИЧЕСКИЕ И ЭЛЕКТРИЧЕСКИЕ СХЕМЫ	265
ЭКСПЛУАТАЦИЯ	272
17. ВКЛЮЧЕНИЕ КОМПРЕССОРА.....	273
18. ВЫКЛЮЧЕНИЕ КОМПРЕССОРА.....	273
АДСОРБЦИОННЫЙ ОСУШИТЕЛЬ.....	274
19. ПРИНЦИП ДЕЙСТВИЯ.....	274
20. ПОЛЬЗОВАТЕЛЬСКИЙ ИНТЕРФЕЙС/НАСТРОЙКИ.....	275
21. ОСНОВНЫЕ ЭКРАНЫ.....	278
22. ИНДИКАЦИЯ СОСТОЯНИЯ ТЕХНИЧЕСКОГО ОБСЛУЖИВАНИЯ И АВАРИЙНОГО СОСТОЯНИЯ	279
ТЕХНИЧЕСКОЕ ОБСЛУЖИВАНИЕ.....	282
23. ТЕХНИЧЕСКОЕ ОБСЛУЖИВАНИЕ	282
24. ХРАНЕНИЕ	292
25. УТИЛИЗАЦИЯ ОБОРУДОВАНИЯ.....	292
СРЕДСТВА И МЕТОДЫ УСТРАНЕНИЯ ПРОБЛЕМ	293
26. СВЕДЕНИЯ ОБ УСЛУГАХ ПО РЕМОНТУ.....	295
ПРИЛОЖЕНИЕ	515
26. ОТЧЕТ ОБ УСТАНОВКЕ.....	518

ВАЖНЫЕ СВЕДЕНИЯ

УВАЖАЕМЫЙ ПОЛЬЗОВАТЕЛЬ.

ПОЖАЛУЙСТА, ВНИМАТЕЛЬНО ПРОЧТИТЕ ДАННОЕ РУКОВОДСТВО ПО ЭКСПЛУАТАЦИИ ДЛЯ ТОГО, ЧТОБЫ ОБЕСПЕЧИТЬ ОПТИМАЛЬНОЕ И ПРАВИЛЬНОЕ ФУНКЦИОНИРОВАНИЕ ВАШЕГО МЕДИЦИНСКОГО ОБОРУДОВАНИЯ.

Изделие зарегистрировано и соответствует требованиям Федеральной Службы по надзору в сфере здравоохранения и социального развития Российской Федерации.

Изделие соответствует системе сертификации ГОСТ Р Госстандарта России.

1. СООТВЕТСТВИЕ ТРЕБОВАНИЯМ ДИРЕКТИВ ЕВРОПЕЙСКОГО СОЮЗА

Данное изделие соответствует требованиям Регламенту о медицинских изделиях (2017/745/EU) (MDR). Его можно безопасно использовать по назначению при условии соблюдения всех требований техники безопасности.

2. НАЗНАЧЕНИЕ

Медицинский компрессор используется в качестве источника чистого, безмасляного, сжатого воздуха для питания активных медицинских устройств (например в стоматологии, диагностике и лабораториях и т.д.), где параметры и свойства сжатого воздуха подходят определенному целевому назначению.



Воздух, подаваемый из компрессора, не подходит для подключения к аппаратам искусственной вентиляции легких.

Применение данного изделия для других целей, не соответствующих назначению устройства, считается ненадлежащим использованием. Производитель не несет ответственности за повреждения и травмы, вызванные ненадлежащим использованием устройства.

3. ПРОТИВОПОКАЗАНИЯ И ПОБОЧНЫЕ ЭФФЕКТЫ

Противопоказания или побочные эффекты неизвестны.

4. ПРЕДУПРЕЖДЕНИЯ И СИМВОЛЫ

В руководстве пользователя, а также на устройстве и упаковке к нему для обозначения важных сведений используются перечисленные ниже символы.



Предупреждение



Опасно, угроза поражения электрическим током



Компрессор управляется автоматически; он может запускаться без предупреждения









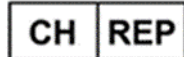


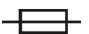

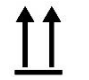





Внимание! Горячая поверхность



Общие предупреждения



См. руководство пользователя.

	Прочтите руководство пользователя
	Маркировка CE
	Медицинское изделие
	Серийный номер
	Артикул комплекта
	Уникальный идентификатор изделия
	Швейцарский уполномоченный представитель
	Швейцарский импортер
	Заземление
	Предохранитель
	Маркировка на упаковке — ХРУПКИЙ ПРЕДМЕТ
	Маркировка на упаковке — ЭТОЙ СТОРОНОЙ ВВЕРХ
	Маркировка на упаковке — БЕРЕЧЬ ОТ ВЛАГИ
	Маркировка на упаковке — ТЕМПЕРАТУРНЫЕ ОГРАНИЧЕНИЯ
	Маркировка на упаковке — ШТАБЕЛИРОВАНИЕ ОГРАНИЧЕНО
	Маркировка на упаковке — ПРИГОДНО ДЛЯ ВТОРИЧНОЙ ПЕРЕРАБОТКИ
	Производитель

5. ПРЕДУПРЕЖДЕНИЯ

Данное изделие спроектировано и изготовлено таким образом, чтобы не представлять опасности для пользователя и окружающей среды при условии надлежащей эксплуатации. Имейте в виду перечисленные ниже предупреждения.

5.1. Общие предупреждения

ПРЕЖДЕ ЧЕМ ИСПОЛЬЗОВАТЬ ИЗДЕЛИЕ, ВНИМАТЕЛЬНО ПРОЧИТАЙТЕ РУКОВОДСТВО ПОЛЬЗОВАТЕЛЯ. СОХРАНИТЕ РУКОВОДСТВО ДЛЯ ИСПОЛЬЗОВАНИЯ В БУДУЩЕМ.

- В данном руководстве пользователя рассказывается, как правильно установить и эксплуатировать изделие, а также выполнять его техническое обслуживание.

Внимательно изучите данное руководство, чтобы правильно эксплуатировать изделие в соответствии с его назначением.

- Сохраните заводскую упаковку на случай возврата устройства. Только заводская упаковка гарантирует защиту устройства во время его транспортировки. При возврате изделия в течение гарантийного срока производитель не несет ответственности за повреждения, вызванные ненадлежащей упаковкой.
- Гарантия не распространяется на изделия, поврежденные в результате применения дополнительных принадлежностей, которые не указаны или не рекомендованы производителем.
- Производитель гарантирует безопасность, надежность и функционирование устройства только при соблюдении описанных ниже условий.
 - Установку, перенастройку, внесение изменений, расширение возможностей и ремонтные работы должен выполнять производитель либо уполномоченная им организация.
 - Изделие следует использовать в соответствии с данным руководством пользователя.
- Данное руководство пользователя соответствует конфигурации изделия и на момент печати отвечает требованиям всех стандартов безопасности и техническим условиям. Производитель оставляет за собой все права на патентную защиту своих методов, названий и конфигурации.
- Перевод руководства пользователя следует выполнять с учетом всей доступной информации. В случае сомнений требуется использовать версию на словацком языке.
- Данное руководство пользователя — исходное. Перевод руководства следует выполнять с учетом всей доступной информации.

5.2. Общие предостережения по безопасности

Производитель разработал и изготовил изделие таким образом, чтобы максимально сократить все риски при условии правильной эксплуатации. Производитель считает своей обязанностью изложить указанные ниже общие требования техники безопасности.

- При эксплуатации изделия следует соблюдать все законы и нормативные акты, действующие в месте использования оборудования. Оператор и пользователь несут ответственность за соблюдение всех соответствующих нормативных актов для безопасной эксплуатации.
- Только использование деталей и узлов, изготовленных производителем, гарантирует безопасность обслуживающего персонала и бесперебойную работу самого изделия. Разрешается применять только те дополнительные принадлежности и детали, которые указаны в технической документации или утверждены производителем.
- Перед каждым использованием устройства оператору необходимо убедиться, что оно работает надлежащим образом и безопасно для эксплуатации.
- Пользователь должен понимать принцип работы устройства.
- Не используйте изделие во взрывоопасных средах.
- В случае возникновения проблем, непосредственно связанных с эксплуатацией устройства, пользователь обязан немедленно уведомить поставщика.
- О любом серьезном инциденте, произошедшем в связи с использованием устройства, необходимо сообщить изготовителю и в компетентный орган государства-члена ЕС, в котором зарегистрирован пользователь и/или пациент.

5.3. Меры техники безопасности для защиты от поражения электрическим током

- Устройство следует подключать только к правильно установленной и заземленной розетке.
- Перед подключением изделия к электросети необходимо убедиться, что напряжение и частота электросети соответствуют характеристикам, указанным на устройстве.
- Прежде чем ввести устройство в эксплуатацию, проверьте, не повреждены ли подключенные к устройству пневматические линии и провода. Если повреждены какие-либо пневматические линии и электрические провода, немедленно замените их.
- При возникновении опасной ситуации или технической неисправности немедленно отключите изделие от электросети (вытащите сетевой шнур из розетки).
- При ремонте и техническом обслуживании соблюдайте указанные ниже требования.
 - Извлеките вилку сетевого шнура из розетки.
 - Сбравите давление из ресивера и трубопровода
- Установку изделия должен выполнить только квалифицированный специалист.

6. ХРАНЕНИЕ И ТРАНСПОРТИРОВКА

Компрессор поставляется с фабрики в транспортной упаковке. Она защищает устройство от повреждений во время транспортировки.



Возможно повреждение пневматических компонентов.

Компрессор можно транспортировать только после полного отведения воздуха. Перед перемещением или транспортировкой компрессора сбросьте давление воздуха в ресивере, напорных шлангах а также слейте водяной конденсат из ресивера и отделителя конденсата на осушителе.



Сохраните оригинальную заводскую упаковку на случай, если понадобится вернуть устройство. Во время транспортировки используйте оригинальную заводскую упаковку, поскольку она обеспечивает оптимальную защиту изделия. При возврате изделия в течение гарантийного срока производитель не несет ответственности за повреждения, вызванные ненадлежащей упаковкой.



Компрессор поставляется в вертикальном положении и должен быть зафиксирован с помощью транспортных ремней.



При транспортировке и хранении берегите компрессор от влаги, загрязнений и экстремальных температур. Не храните компрессор вблизи летучих химических веществ.



В противном случае утилизируйте оригинальную упаковку экологически безопасным способом. Упаковочный картон можно перерабатывать вместе со старой бумагой.



Запрещается хранить или транспортировать оборудование в условиях, отличных от указанных ниже.

6.1. Условия окружающей среды

Изделия можно хранить и перевозить только в транспортных средствах, не содержащих остатков летучих химических веществ, при указанных ниже климатических условиях:

Температура

от -25 до $+55$ °C

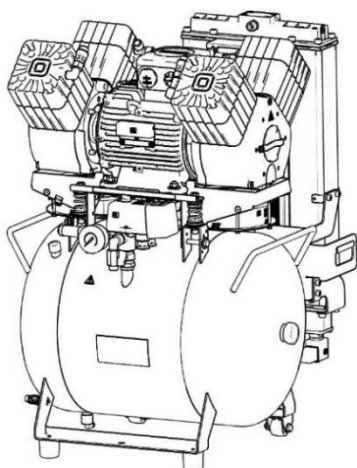
Относительная влажность

макс. 90% (при отсутствии конденсата)

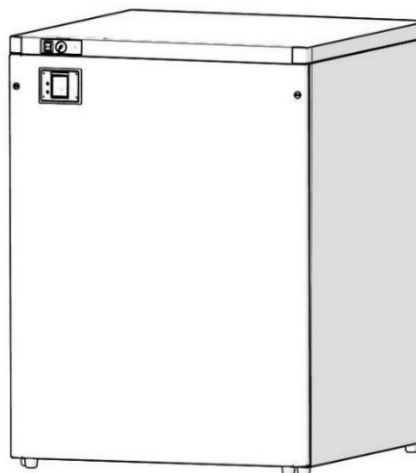
ОПИСАНИЕ ИЗДЕЛИЯ**7. ВАРИАНТЫ ИСПОЛНЕНИЯ**

Компрессор производится в следующих вариантах исполнения:

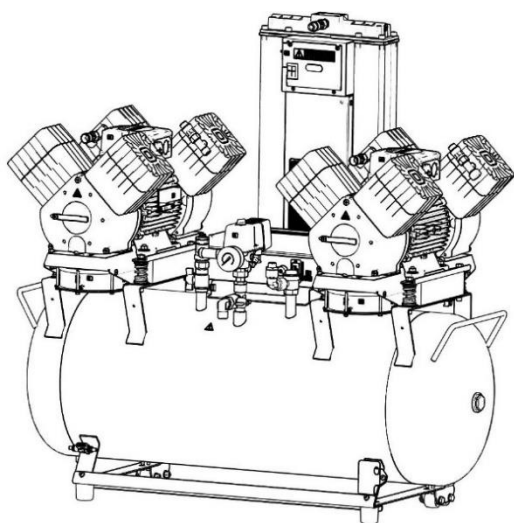
DK50 4VR/50/M	Компрессор с адсорбционным осушителем и температурой конденсации под давлением
DK50 4VR/50 S/M	Компрессор в шкафу с адсорбционным осушителем и температурой конденсации под давлением
Шкаф S50R	используется для снижения уровня шума, создаваемого компрессором
DK50 2x4VR/110/M	Компрессор с адсорбционным осушителем и температурой конденсации под давлением
DK50 2x4VR/110S/M	Компрессор в шкафу с адсорбционным осушителем и температурой конденсации под давлением
Шкаф S110R	используется для снижения уровня шума, создаваемого компрессором



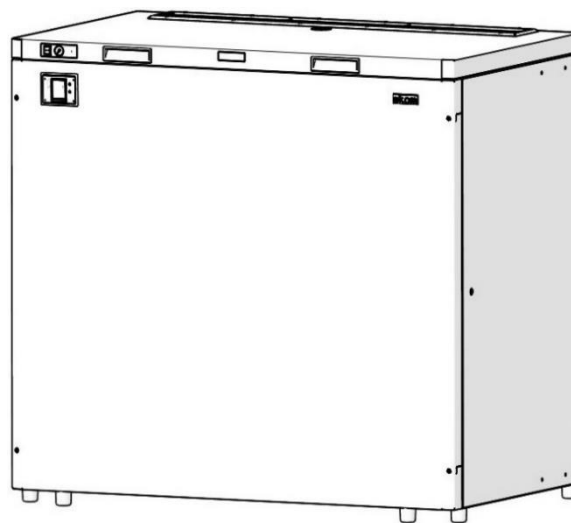
DK50 4VR/50/M



S50R
DK50 4VR/50S/M



DK50 2x4VR/110/M



S110R
DK50 2x4VR/110S/M

8. ПРИНАДЛЕЖНОСТИ

Принадлежности, не входящие в стандартный заказ, необходимо приобретать дополнительно.

Набор выходных фильтров сжатого воздуха

Если требуется, компрессор может быть оснащен комплектом фильтров. Такой комплект фильтров можно оснастить регулятором давления воздуха.



Если требуется другой уровень фильтрации воздуха, такие требования необходимо согласовать с поставщиком, четко указав их во время заказа.

Тип	Модели, в которых используется	Степень фильтрации (µм)	Артикул комплекта
FS 30F	DK50 4VR/50/M	1	604014119-014
FS 30M		1+0,1	604014119-015
FS 30S		1+0,01	604014119-017
FS 30A		1+0,01+A**	604014119-018*
FS 40F	DK50 2x4VR/110/M	1	604014119-000
FS 40M		1+0,1	604014119-004
FS 40S		1+0,01	604014119-024
FS 40AH		1+AC+HC (0,01)	604014119-005

**) А – субмикронный фильтр с активированным углем

*) - комплект **FS 30A** в стандартной конфигурации несовместим с регулятором давления в изделиях DK50 4VR/50/M. Если вам необходим такой комплект (с регулятором), обратитесь за консультацией к поставщику

Узел регулятора комплекта фильтра

Компрессор можно оснастить регулятором давления на выходе сжатого воздуха (если указана такая возможность). Регулятор следует выбирать исходя из его применения в составе комплекта фильтров или отдельно. Регулятор должен обеспечивать постоянное давление на выходе.

Тип	Модели, в которых используется	Артикул комплекта
Регулятор в сборе (к фильтру в сборе)	DK50 4VR/50/M	604014130-000
REG12 (отдельно)		447000001-088
Регулятор в сборе	DK50 2x4VR/110/M	604014125-000
REG15		447000001-243

Кронштейны комплекта фильтров



Для каждого комплекта фильтров следует заказать соответствующий кронштейн.

Тип	Модели, в которых используется	Артикул комплекта
Кронштейн для монтажа на компрессор	DK50 4VR/50/M	603014177-000
Кронштейн для монтажа на компрессор	DK50 2x4VR/110/M	604014131-000
Кронштейн для настенного монтажа		603014120-000

Модули ЗКОМ для управления несколькими компрессорами в режиме "ведущий/ведомый"

Модуль управления ЗКОМ заказывается отдельно и используется для управления работой 2 или 3 идентичных компрессоров, с тем же диапазоном давления, в режиме "ведущий/ведомый". В процессе использования контроллер модуля выполняет функции управления включением/выключением компрессора. Модуль управления можно заказать в конфигурациях, показанных в следующей таблице.

Модель компрессора	Схема управления	Артикул установочного комплекта	Выпускной воздуховод системы
DK50 4VR/50/M	1+1	603002152-000	G3/4"
DK50 2x4VR/110/M	1+1+1		

Розетка для эквипотенциального соединения

Эта розетка позволяет выполнить эквипотенциальное соединение.

Тип	Модели, в которых используется	Название	Артикул комплекта
POAG-KBT6-EC	DK50 4VR/50S/M, DK50 2x4VR/110S/M	Разъем для сетевого штепселя	033400075-000
FLEXI-S/POAG-НК6		Проводник (1 м)	034110083-000

9. ПРИНЦИП ДЕЙСТВИЯ ИЗДЕЛИЯ

9.1. Компрессор с адсорбционным осушителем

(Рис. 1, Рис. 2) Воздушный насос компрессора (1) всасывает воздух через входной фильтр (8) и нагнетает его через обратный клапан (3) в коллектор, из которого воздух направляется в адсорбционный осушитель (9) через соединительный шланг. После подачи в модуль осушителя воздух сначала охлаждается во встроенном охладителе (17), а затем через отделитель конденсата (24) подается в активную камеру с адсорбентом (19), где воздух осушается. Часть воздуха подается во вторую регенерационную камеру, где он удаляет влагу из адсорбента. Активная камера переключается циклически. Затем сухой воздух проходит через обратный клапан (3) в воздушный резервуар (2).

* В компрессорах DK50 4VR/50/M коллектор с обратным клапаном не используется и воздух подается напрямую в осушитель воздуха.

9.2. Шкаф компрессора

(Рис. 4) Звуконепроницаемый шкаф служит компактным корпусом компрессора и обеспечивает воздухообмен, необходимый для охлаждения. Благодаря дизайну шкафа его можно разместить в кабинете стоматолога в качестве предмета мебели. Вентилятор (10), расположенный под агрегатом компрессора, охлаждает компрессор и вращается в то время, когда работает электродвигатель компрессора. После длительного использования компрессора температура в шкафу может подниматься выше 40 °С, при этом автоматически включается охлаждающий вентилятор. После охлаждения внутренней части шкафа до 32 °С вентилятор автоматически выключается. Дисплей осушителя (33) расположен на передней панели шкафа.



Риск перегрева компрессора.

Убедитесь, что нет препятствий для свободной циркуляции воздуха вокруг компрессора и под ним. Запрещается перекрывать выход горячего воздуха в верхней задней части корпуса.

При размещении компрессора на мягком полу, например на ковре, необходимо оставить зазор для вентиляции между основанием компрессора и полом. Для этого можно использовать опоры с твердыми прокладками.

Описание для рисунков 1–3:

1 Агрегат	22 Электромагнитный клапан восстановления
2 Ресивер	23 Вентилятор осушителя
3 Обратный клапан	24 Отделитель конденсата
4 Реле давления	25 Электромагнитный клапан слива конденсата
5 Предохранительный клапан	26 *Дисплей
6 Манометр	27 Воздухораспределитель
7 Кран слива	28 Вентилятор шкафа
8 Входной фильтр	29 Манометр шкафа
9 Адсорбционный осушитель	30 Выключатель
10 Вентилятор компрессора	31 Соединитель для шкафа
11 Резервуар для сбора конденсата	32 Шланг манометра
12 Магнитный кронштейн	33 Дисплей шкафа
13 Воздухораспределитель	34 Пневматические пружины шкафа
14 Распределительная коробка	35 Установочная тележка
15 ***Датчик точки конденсации	36 Шнур электропитания
16 Выходной модуль	37 **Втулка
17 Модуль охлаждения	38 Выпуск из сепаратора конденсата и клапаны регенерации
18 Электрическая панель	39 Колесо компрессора
19 Сушильная камера	40 Проставки для опоры на стену
20 Модуль входного клапана	41 Опорный кронштейн
21 Вход сжатого воздуха	42 Ручка

* Позиция (26) используется в модели DK50 4VR/50/M, DK50 2x4VR/110/M без шкафа; а позиция (26) — в случае с DK50 4VR/50 S/M, DK50 2x4VR/110 S/M со шкафом является простой крышкой.

** У модели со шкафом кабель, подключенный к дисплею (33) на передней панели, прокладывается через универсальную втулку (37).

*** Относится к модели с датчиком точки конденсации.

Рис. 1: DK50 4VR/50/M - Компрессор с осушителем

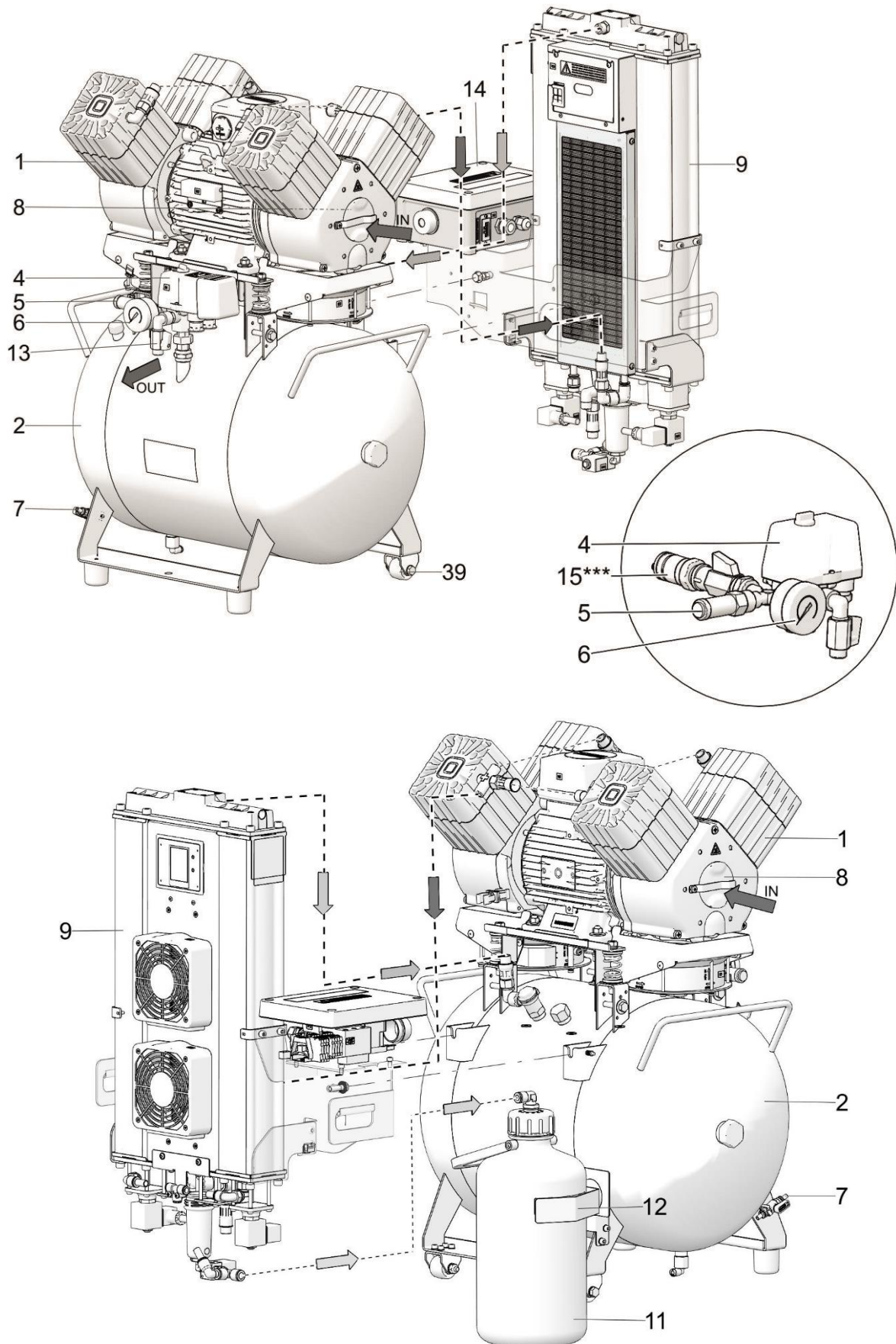


Рис. 2: DK50 2x4VR/110/M - Компрессор с осушителем

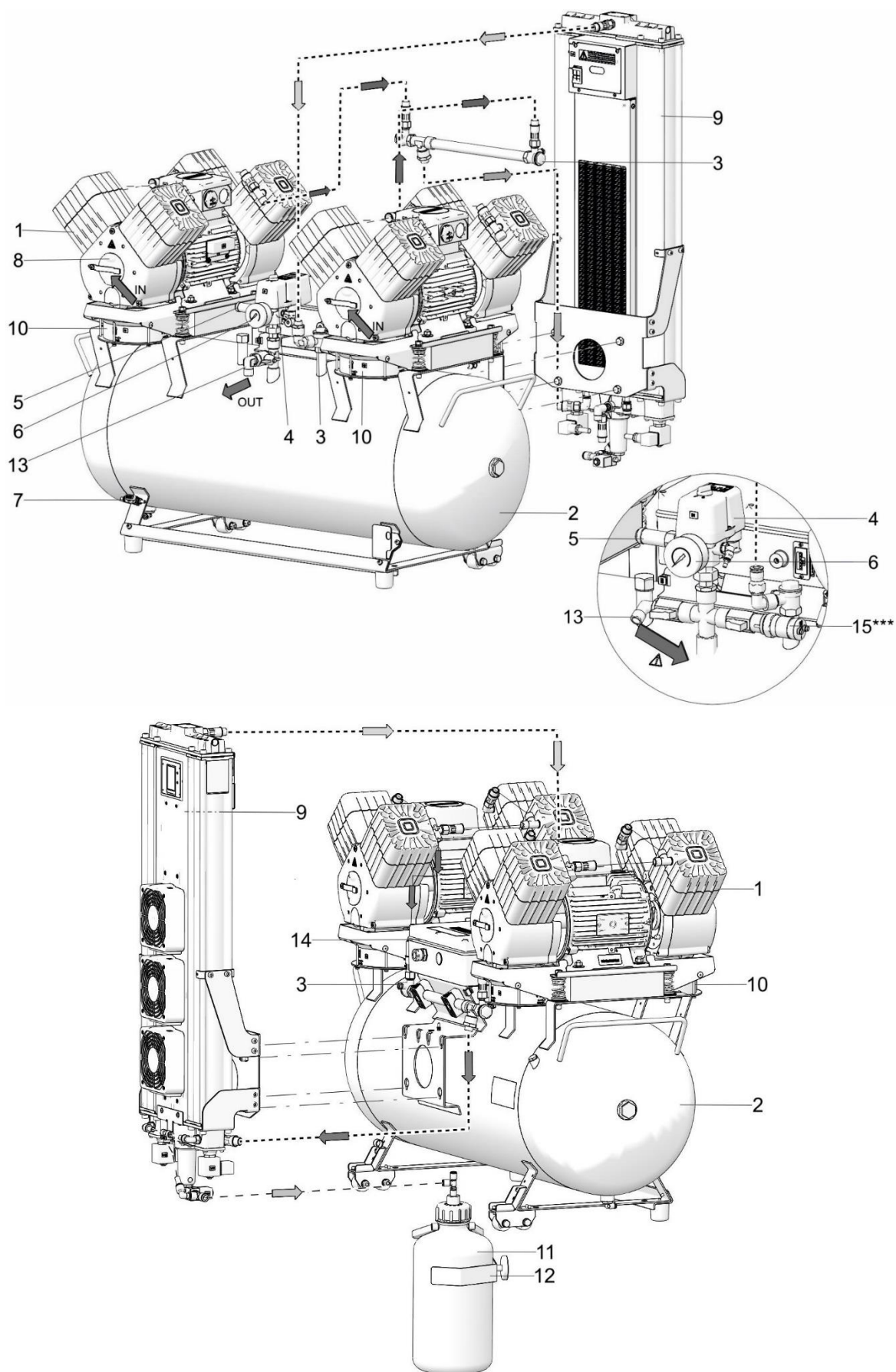
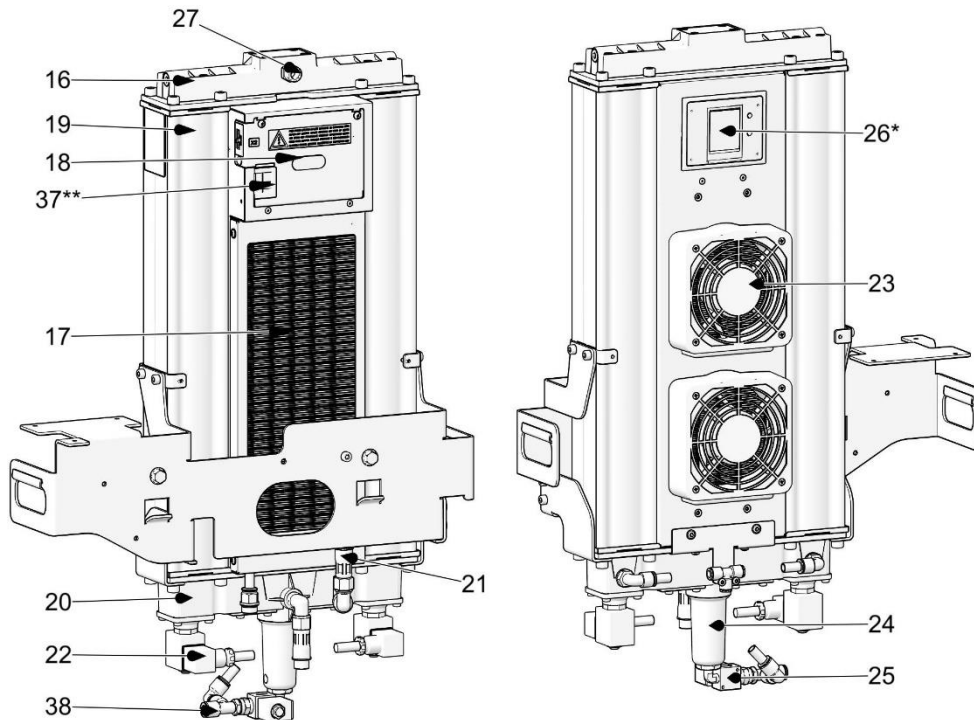
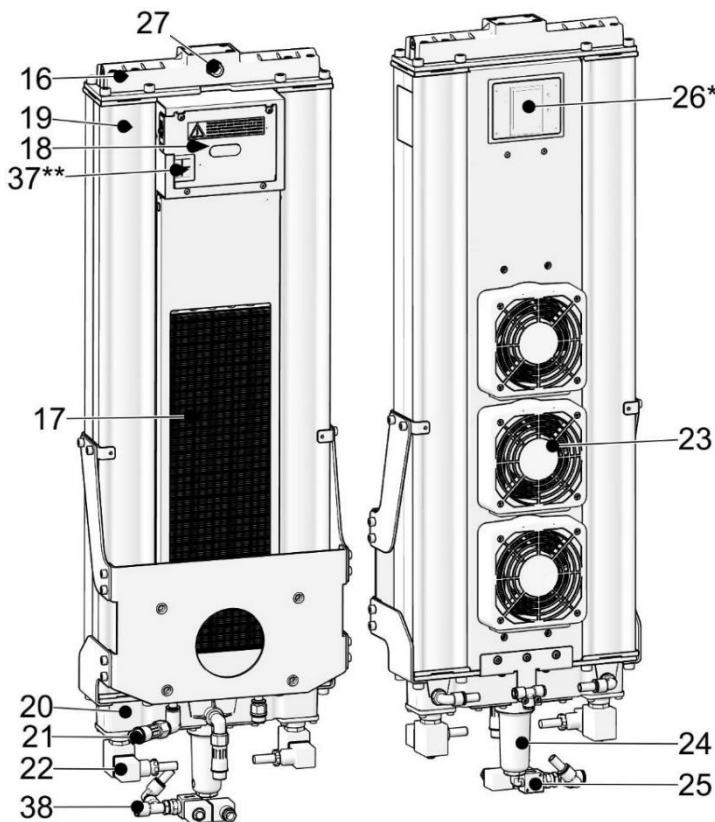


Рис. 3: Адсорбционный осушитель



ADM 280/50

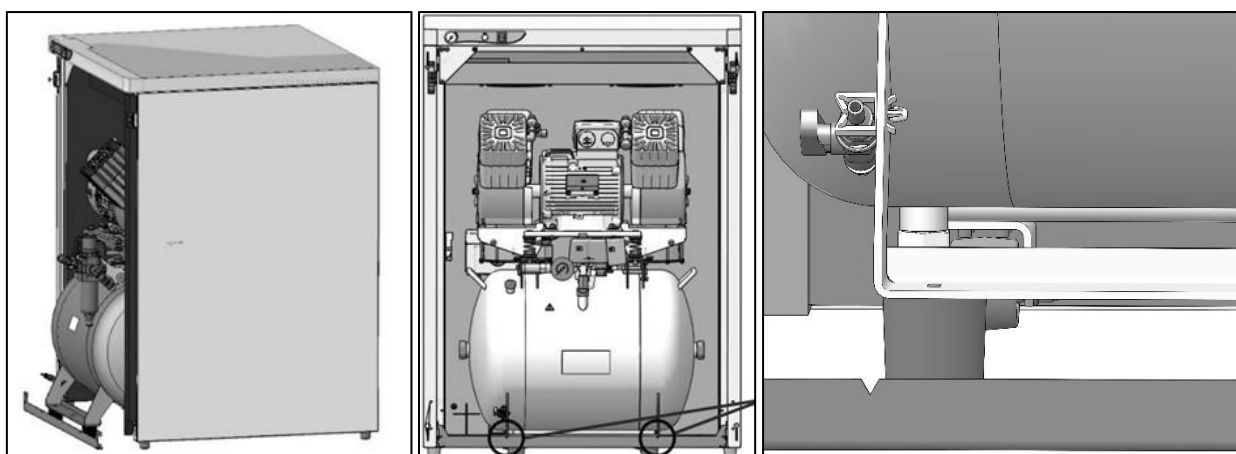
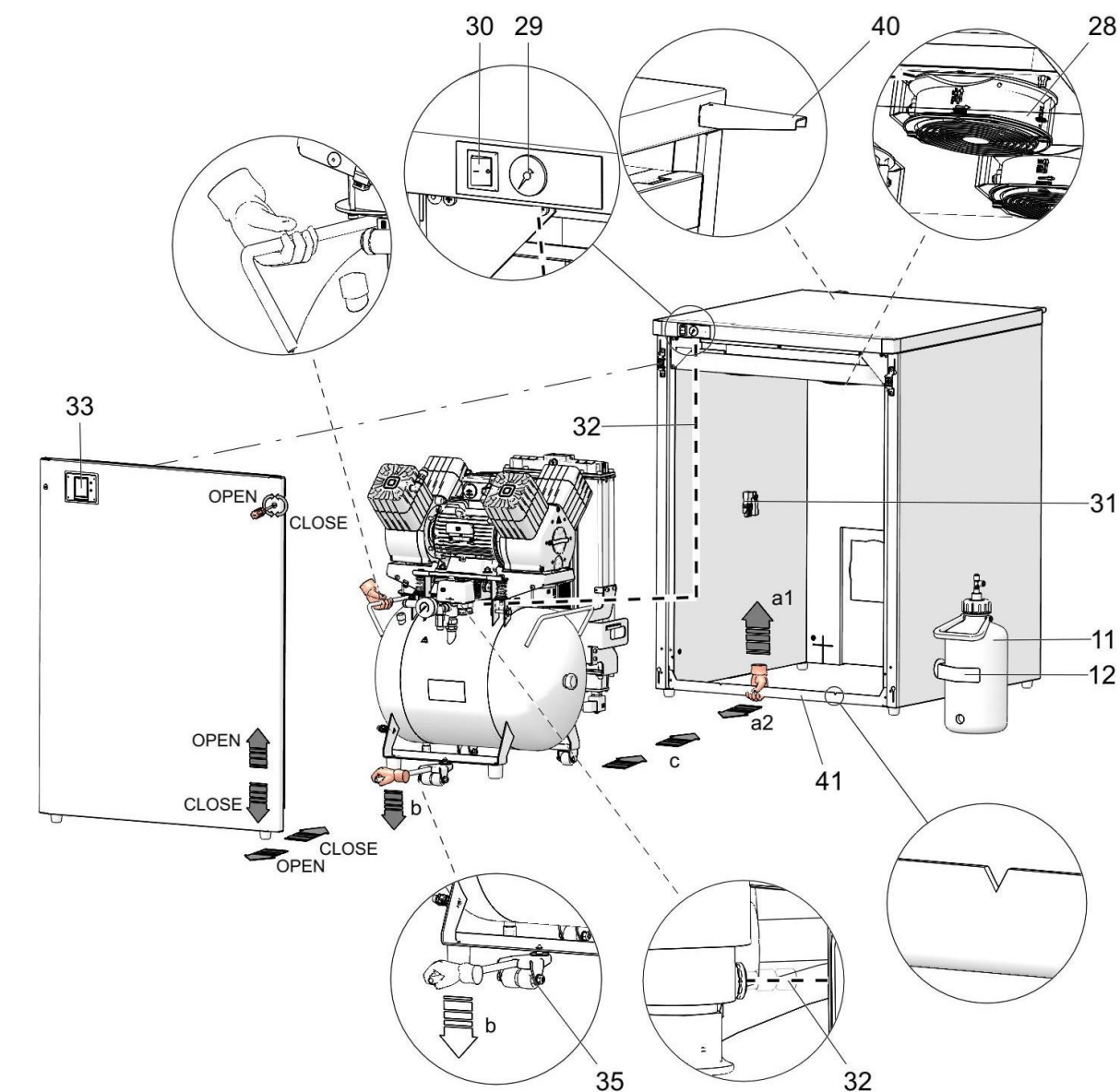


ADM 500/110

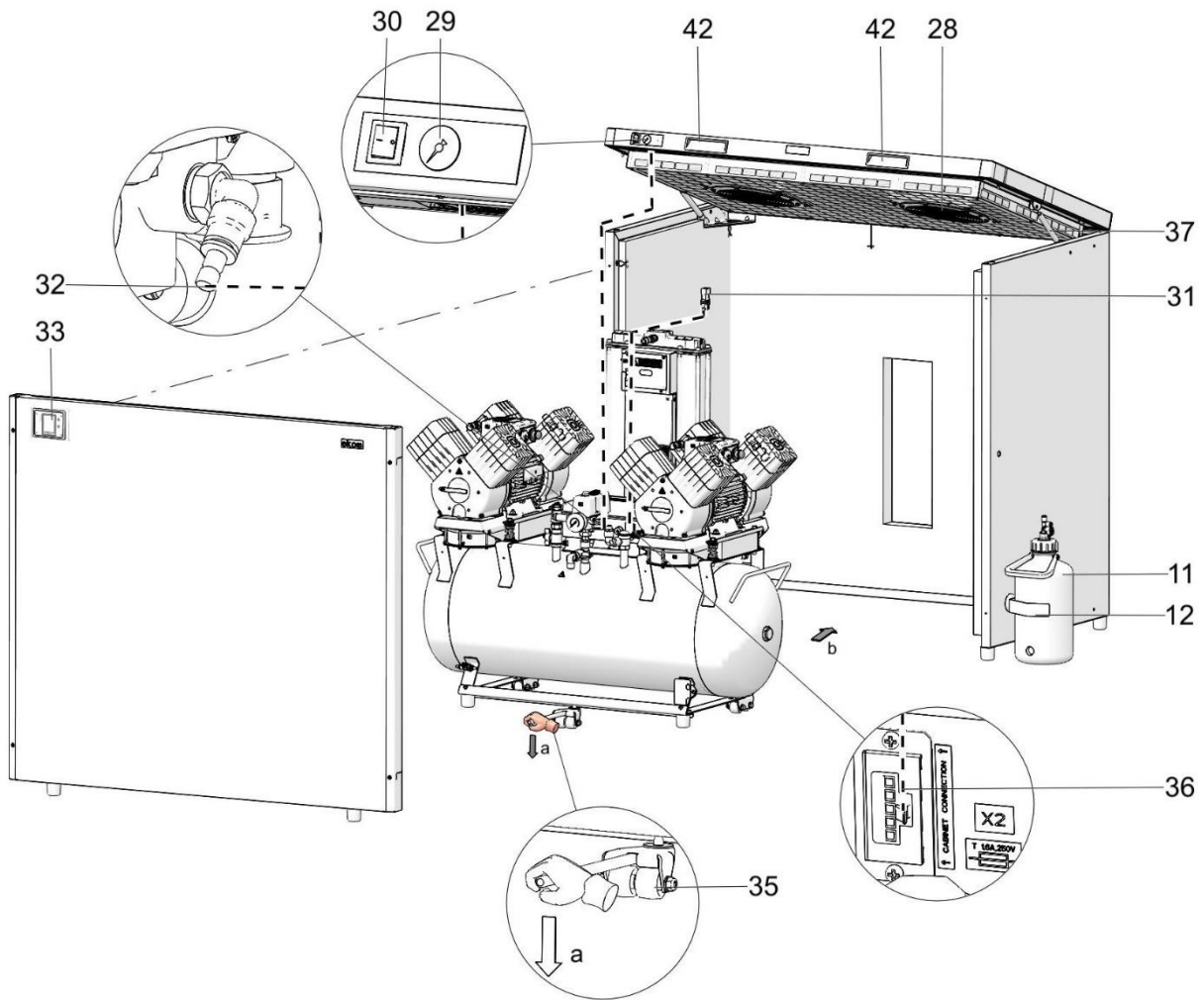
* Позиция (26) используется в модели DK50 4VR/50/M, DK50 2x4VR/110/M без шкафа; а позиция (26) — в случае с DK50 4VR/50 S/M, DK50 2x4VR/110 S/M со шкафом является простой крышкой.

** У модели со шкафом кабель, подключенный к дисплею (33) на передней панели, прокладывается через универсальную втулку (37).

Рис. 4: Шкаф



A – DK50 4VR/50S/M



B – DK50 2x4VR/110S/M

ТЕХНИЧЕСКИЕ ХАРАКТЕРИСТИКИ

Компрессоры предназначены для эксплуатации в сухих, проветриваемых и незапыленных помещениях при указанных ниже климатических условиях.

Температура

от +5°C до +40°C

Относительная влажность

макс. 70%

Рабочее давление 6 – 8 бар		DK50 4VR/50/M	DK50 4VR/50 S/M
Номинальное напряжение, Частота ^{a)}	В, Гц	3x400, 50	3x400, 50
Производительность компрессора при давлении 6 бар (ПОСВ)	л/мин	235	235
Рабочее давление ^{b)}	бар	6,0 – 8,0	6,0 – 8,0
Номинальный ток	А	5,4	5,8
Мощность двигателя	кВт	2.2	2.2
Объем ресивера	л	50	50
Качество воздуха (фильтрация)	µм	-	-
Максимальное рабочее давление предохранительного клапана	бар	9,0	9,0
Уровень шума при 5 бар (LpA)	дБ	≤ 73,5	≤ 56,0
Рабочий режим	%	S1-100	S1-100
Степень осушения PDP при давлении 7 бар ^{d)}	°C	≤ -20	≤ -20
Аварийный сигнал низкого давления в сушилке	бар	< 3	< 3
Аварийный сигнал высокого давления в сушилке	бар	> 9	> 9
Аварийный сигнал высокой точки конденсации в сушилке	°C	> -20	> -20
Время наполнения ресивера от 0 до 7 бар	с	85	85
Размеры без упаковки Ш x Д x В	мм	580x590x815	750x780x1015
Масса нетто ^{c)}	кг	95	151
Классификация согласно стандарту EN 60601-1		Класс I.	

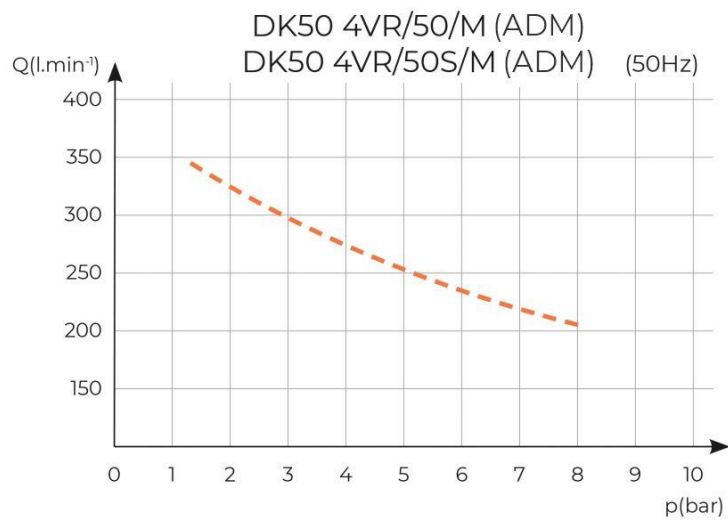
^{a)} При заказе указывайте модель компрессора.

^{b)} Если необходим другой диапазон значений давления, проконсультируйтесь с поставщиком.

^{c)} Масса является ориентировочной и относится только к изделию без принадлежностей.

^{d)} Относится к температуре окружающего воздуха <30 °C, PDP — температура конденсации воздуха под давлением

Зависимость производительности компрессора от рабочего давления



Рабочее давление 6 – 8 бар		DK50 4VR/50/M	DK50 4VR/50 S/M
Номинальное напряжение, Частота ^{a)}	В, Гц	3x400, 50/60	3x400, 50
Производительность компрессора при давлении 6 бар (ПОСВ)	л/мин	225	225
Рабочее давление ^{b)}	бар	6,0 – 8,0	6,0 – 8,0
Номинальный ток	А	5,4	5,8
Мощность двигателя	кВт	2.2	2.2
Объем ресивера	л	50	50
Качество воздуха (фильтрация)	μм	-	-
Максимальное рабочее давление предохранительного клапана	бар	9,0	9,0
Уровень шума при 5 бар (LpA)	дБ	≤ 73,5	≤ 56,0
Рабочий режим	%	S1-100	S1-100
Степень осушения PDP при давлении 7 бар ^{d)}	°С	≤ -40	≤ -40
Аварийный сигнал низкого давления в сушилке	бар	< 3	< 3
Аварийный сигнал высокого давления в сушилке	бар	> 9	> 9
Аварийный сигнал высокой точки конденсации в сушилке	°С	> -40	> -40
Время наполнения ресивера от 0 до 7 бар	с	90	90
Размеры без упаковки Ш x Д x В	мм	580x590x815	750x780x1015
Масса нетто ^{c)}	кг	95	151
Классификация согласно стандарту EN 60601-1		Класс I.	

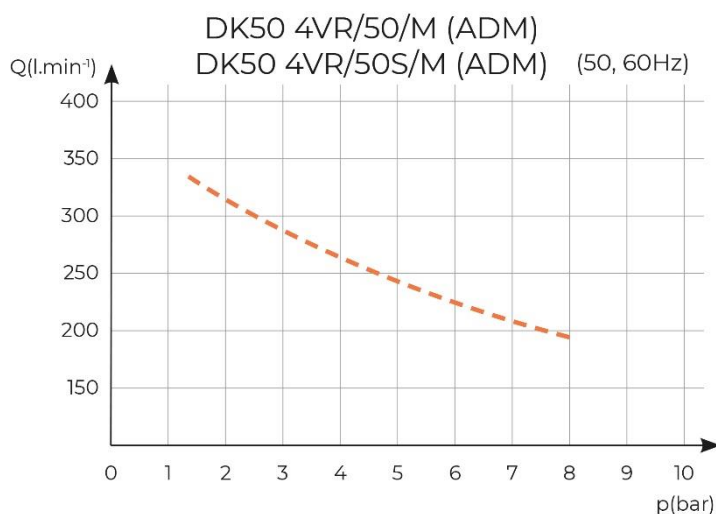
^{a)} При заказе указывайте модель компрессора.

^{b)} Если необходим другой диапазон значений давления, проконсультируйтесь с поставщиком.

^{c)} Масса является ориентировочной и относится только к изделию без принадлежностей.

^{d)} Относится к температуре окружающего воздуха <30 °С, PDP — температура конденсации воздуха под давлением

Зависимость производительности компрессора от рабочего давления



Рабочее давление 8 – 10 бар		DK50 4VR/50/M	DK50 4VR/50 S/M
Номинальное напряжение, Частота ^{a)}	В, Гц	3x400, 50	3x400, 50
Производительность компрессора при давлении 8 бар (ПОСВ)	л/мин	195	195
Рабочее давление ^{b)}	бар	8,0 – 10,0	8,0 – 10,0
Номинальный ток	А	5,4	5,9
Мощность двигателя	кВт	2.2	2.2
Объем ресивера	л	50	50
Качество воздуха (фильтрация)	μм	-	-
Максимальное рабочее давление предохранительного клапана	бар	12,0	12,0
Уровень шума при 5 бар (LpA)	дБ	≤ 73,5	≤ 56,0
Рабочий режим	%	S1-100	S1-100
Степень осушения PDP при давлении 7 бар ^{d)}	°С	≤ -20	≤ -20
Аварийный сигнал низкого давления в сушилке	бар	< 3	< 3
Аварийный сигнал высокого давления в сушилке	бар	> 11	> 11
Аварийный сигнал высокой точки конденсации в сушилке	°С	> -20	> -20
Время наполнения ресивера от 0 до 7 бар	с	105	105
Размеры без упаковки Ш x Д x В	мм	580x590x815	750x780x1015
Масса нетто ^{c)}	кг	95	151
Классификация согласно стандарту EN 60601-1		Класс I.	

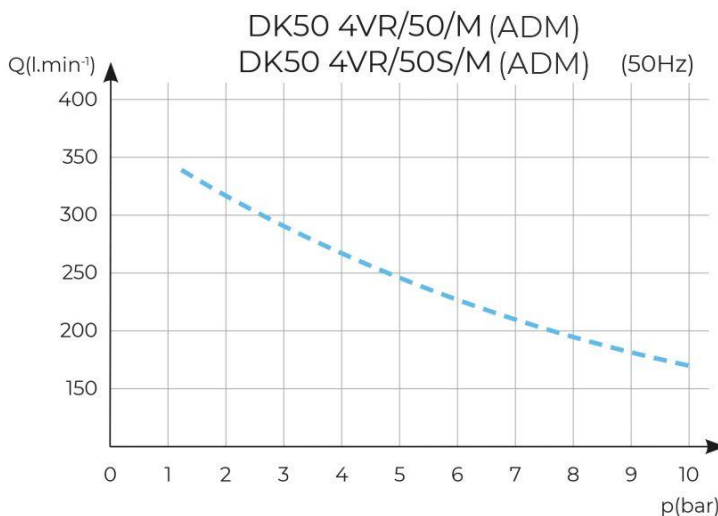
^{a)} При заказе указывайте модель компрессора.

^{b)} Если необходим другой диапазон значений давления, проконсультируйтесь с поставщиком.

^{c)} Масса является ориентировочной и относится только к изделию без принадлежностей.

^{d)} Относится к температуре окружающего воздуха <30 °С, PDP — температура конденсации воздуха под давлением

Зависимость производительности компрессора от рабочего давления



Рабочее давление 8 – 10 бар		DK50 4VR/50/M	DK50 4VR/50 S/M
Номинальное напряжение, Частота ^{a)}	В, Гц	3x400, 50	3x400, 50
Производительность компрессора при давлении 8 бар (ПОСВ)	л/мин	190	190
Рабочее давление ^{b)}	бар	8,0 – 10,0	8,0 – 10,0
Номинальный ток	А	5,4	5,9
Мощность двигателя	кВт	2.2	2.2
Объем ресивера	л	50	50
Качество воздуха (фильтрация)	μм	-	-
Максимальное рабочее давление предохранительного клапана	бар	12,0	12,0
Уровень шума при 5 бар (LpA)	дБ	≤ 73,5	≤ 56,0
Рабочий режим	%	S1-100	S1-100
Степень осушения PDP при давлении 7 бар ^{d)}	°С	≤ -40	≤ -40
Аварийный сигнал низкого давления в сушилке	бар	< 3	< 3
Аварийный сигнал высокого давления в сушилке	бар	> 11	> 11
Аварийный сигнал высокой точки конденсации в сушилке	°С	> -40	> -40
Время наполнения ресивера от 0 до 7 бар	с	105	105
Размеры без упаковки Ш x Д x В	мм	580x590x815	750x780x1015
Масса нетто ^{c)}	кг	95	151
Классификация согласно стандарту EN 60601-1		Класс I.	

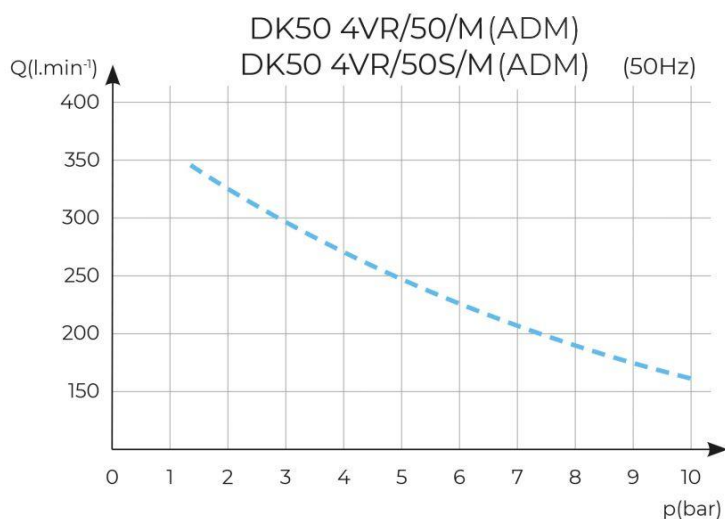
^{a)} При заказе указывайте модель компрессора.

^{b)} Если необходим другой диапазон значений давления, проконсультируйтесь с поставщиком.

^{c)} Масса является ориентировочной и относится только к изделию без принадлежностей.

^{d)} Относится к температуре окружающего воздуха <30 °С, PDP — температура конденсации воздуха под давлением

Зависимость производительности компрессора от рабочего давления



Рабочее давление 6 – 8 бар		DK50 2x4VR/110/M	DK50 2x4VR/110S/M
Номинальное напряжение, Частота ^{a)}	В, Гц	3x400V, 50Hz	3x400V, 50Hz
Производительность компрессора при давлении 6 бар (ПОСВ)	л/мин	470	470
Рабочее давление ^{b)}	бар	6,0 – 8,0	6,0 – 8,0
Номинальный ток	А	10,8	11,2
Мощность двигателя	кВт	2x2.2	2x2.2
Объем ресивера	л	110	110
Качество воздуха (фильтрация)	μм	-	-
Максимальное рабочее давление предохранительного клапана	бар	9,0	9,0
Уровень шума при 5 бар (LpA)	дБ	≤ 77,5	≤ 62,0
Рабочий режим	%	S1-100	S1-100
Степень осушения PDP при давлении 7 бар ^{d)}	°С	≤- 20	≤- 20
Аварийный сигнал низкого давления в сушилке	бар	< 3	< 3
Аварийный сигнал высокого давления в сушилке	бар	> 9	> 9
Аварийный сигнал высокой точки конденсации в сушилке	°С	> -20	> -20
Время наполнения ресивера от 0 до 7 бар	с	95	95
Размеры без упаковки Ш x Д x В	мм	1085x675x1050	1260x830x1205
Масса нетто ^{c)}	кг	168	258
Классификация согласно стандарту EN 60601-1		Класс I.	

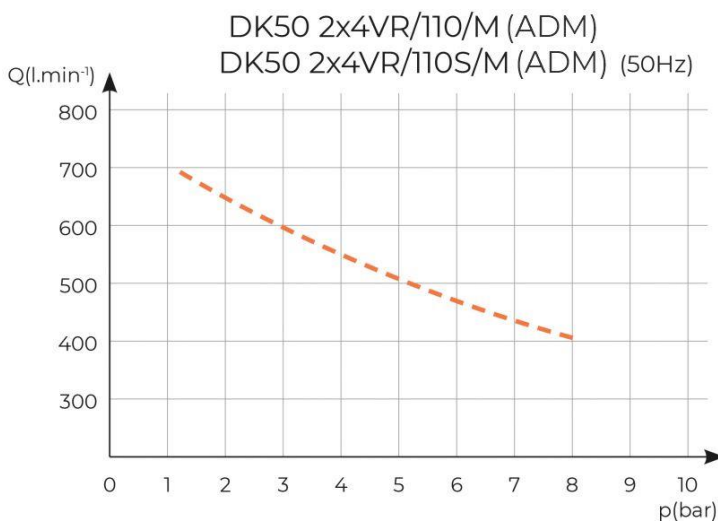
^{a)} При заказе указывайте модель компрессора.

^{b)} Если необходим другой диапазон значений давления, проконсультируйтесь с поставщиком.

^{c)} Масса является ориентировочной и относится только к изделию без принадлежностей.

^{d)} Относится к температуре окружающего воздуха <30 °С, PDP — температура конденсации воздуха под давлением

Зависимость производительности компрессора от рабочего давления



Рабочее давление 6 – 8 бар		DK50 2x4VR/110/M	DK50 2x4VR/110S/M
Номинальное напряжение, Частота ^{a)}	В, Гц	3x400V, 50Hz	3x400V, 50Hz
Производительность компрессора при давлении 6 бар (ПОСВ)	л/мин	450	450
Рабочее давление ^{b)}	бар	6,0 – 8,0	6,0 – 8,0
Номинальный ток	А	10,8	11,2
Мощность двигателя	кВт	2x2.2	2x2.2
Объем ресивера	л	110	110
Качество воздуха (фильтрация)	μм	-	-
Максимальное рабочее давление предохранительного клапана	бар	9,0	9,0
Уровень шума при 5 бар (LpA)	дБ	≤ 77,5	≤ 62,0
Рабочий режим	%	S1-100	S1-100
Степень осушения PDP при давлении 7 бар ^{d)}	°С	≤ - 40	≤ - 40
Аварийный сигнал низкого давления в сушилке	бар	< 3	< 3
Аварийный сигнал высокого давления в сушилке	бар	> 9	> 9
Аварийный сигнал высокой точки конденсации в сушилке	°С	> -40	> -40
Время наполнения ресивера от 0 до 7 бар	с	100	100
Размеры без упаковки Ш x Д x В	мм	1085x675x1050	1260x830x1205
Масса нетто ^{c)}	кг	168	258
Классификация согласно стандарту EN 60601-1		Класс I.	

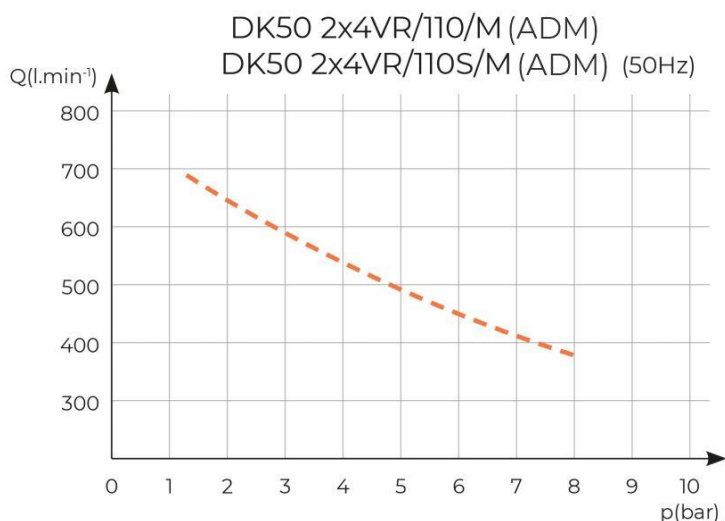
^{a)} При заказе указывайте модель компрессора.

^{b)} Если необходим другой диапазон значений давления, проконсультируйтесь с поставщиком.

^{c)} Масса является ориентировочной и относится только к изделию без принадлежностей.

^{d)} Относится к температуре окружающего воздуха <30 °С, PDP — температура конденсации воздуха под давлением

Зависимость производительности компрессора от рабочего давления



Рабочее давление 8 – 10 бар		DK50 2x4VR/110/M	DK50 2x4VR/110S/M
Номинальное напряжение, Частота ^{a)}	В, Гц	3x400V, 50Hz	3x400V, 50Hz
Производительность компрессора при давлении 8 бар (ПОСВ)	л/мин	395	395
Рабочее давление ^{b)}	бар	8,0 – 10,0	8,0 – 10,0
Номинальный ток	А	10,3	10,8
Мощность двигателя	кВт	2x2.2	2x2.2
Объем ресивера	л	110	110
Качество воздуха (фильтрация)	μм	-	-
Максимальное рабочее давление предохранительного клапана	бар	12,0	12,0
Уровень шума при 5 бар (LpA)	дБ	≤ 77,5	≤ 62,0
Рабочий режим	%	S1-100	S1-100
Степень осушения PDP при давлении 7 бар ^{d)}	°С	≤ - 20	≤ - 20
Аварийный сигнал низкого давления в сушилке	бар	< 3	< 3
Аварийный сигнал высокого давления в сушилке	бар	> 11	> 11
Аварийный сигнал высокой точки конденсации в сушилке	°С	> -20	> -20
Время наполнения ресивера от 0 до 7 бар	с	115	115
Размеры без упаковки Ш x Д x В	мм	1085x675x1050	1260x830x1205
Масса нетто ^{c)}	кг	168	258
Классификация согласно стандарту EN 60601-1		Класс I.	

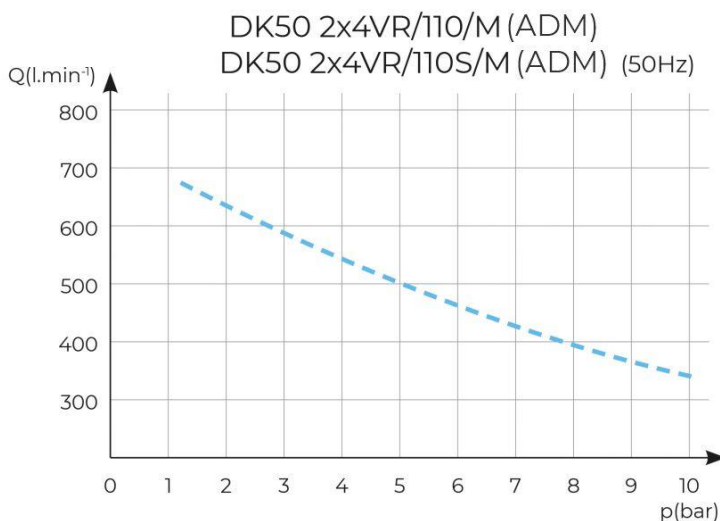
^{a)} При заказе указывайте модель компрессора.

^{b)} Если необходим другой диапазон значений давления, проконсультируйтесь с поставщиком.

^{c)} Масса является ориентировочной и относится только к изделию без принадлежностей.

^{d)} Относится к температуре окружающего воздуха <30 °С, PDP — температура конденсации воздуха под давлением

Зависимость производительности компрессора от рабочего давления



Рабочее давление 8 – 10 бар		DK50 2x4VR/110/M	DK50 2x4VR/110S/M
Номинальное напряжение, Частота ^{a)}	В, Гц	3x400V, 50Hz	3x400V, 50Hz
Производительность компрессора при давлении 8 бар (ПОСВ)	л/мин	380	380
Рабочее давление ^{b)}	бар	8,0 – 10,0	8,0 – 10,0
Номинальный ток	А	10,3	10,8
Мощность двигателя	кВт	2x2.2	2x2.2
Объем ресивера	л	110	110
Качество воздуха (фильтрация)	μм	-	-
Максимальное рабочее давление предохранительного клапана	бар	12,0	12,0
Уровень шума при 5 бар (LpA)	дБ	≤ 77,5	≤ 62,0
Рабочий режим	%	S1-100	S1-100
Степень осушения PDP при давлении 7 бар ^{d)}	°С	≤ - 40	≤ - 40
Аварийный сигнал низкого давления в сушилке	бар	< 3	< 3
Аварийный сигнал высокого давления в сушилке	бар	>11	> 11
Аварийный сигнал высокой точки конденсации в сушилке	°С	> -40	> -40
Время наполнения ресивера от 0 до 7 бар	с	120	120
Размеры без упаковки Ш x Д x В	мм	1085x675x1050	1260x830x1205
Масса нетто ^{c)}	кг	168	258
Классификация согласно стандарту EN 60601-1		Класс I.	

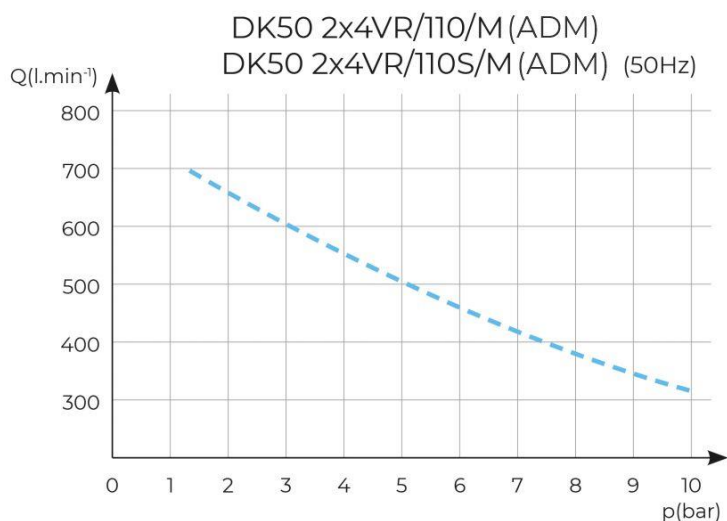
^{a)} При заказе указывайте модель компрессора.

^{b)} Если необходим другой диапазон значений давления, проконсультируйтесь с поставщиком.

^{c)} Масса является ориентировочной и относится только к изделию без принадлежностей.

^{d)} Относится к температуре окружающего воздуха <30 °С, PDP — температура конденсации воздуха под давлением

Зависимость производительности компрессора от рабочего давления



Поправки потребляемого объема сжатого воздуха за единицу времени (ПОСВ) вследствие подъема

Производительность, указанная как ПОСВ (потребляемый объем сжатого воздуха), зависит от выполнения следующих условий:

Высота	0 метров над уровнем моря	Температура	20°C
Атмосферное давление	101 325 Па	Относительная влажность	0 %

Следующая таблица поправочных коэффициентов используется для преобразования производительности компрессора ПОСВ в зависимости от высоты над уровнем моря.:

Высота [метров над уровнем моря]	0–1500	1501–2500	2501–3500	3501–4500
Поправочный коэффициент ПОСВ	1	0,8	0,71	0,60

Требования к электромагнитной совместимости

Медицинское устройство нуждается в специальных мерах предосторожности в отношении электромагнитной совместимости (ЭМС) и должно быть установлено и введено в эксплуатацию в соответствии с информацией ЭМС, приведенной ниже

Руководство и заявление производителя: электромагнитное излучение		
Для IEC 60601-1-2:2014/AMD1:2020 - Изделия медицинские электрические. Часть 1-2. Общие требования безопасности с учетом основных функциональных характеристик. Параллельный стандарт. Электромагнитные помехи. Требования и испытания.		
Устройство предназначено к использованию в электромагнитной обстановке, как указано ниже. Покупатель или пользователь устройства должен обеспечить эксплуатацию устройства в таких условиях.		
Испытание электромагнитного излучения	Соответствие	Электромагнитная обстановка: руководство
Радиочастотное излучение CISPR 11	Группа 1	Устройство использует высокочастотную энергию только для функционирования внутренних компонентов. Таким образом, радиочастотное излучение очень низкое и не должно вызывать помехи в работе расположенного поблизости электронного оборудования.
Радиочастотное излучение CISPR 11	Класс В	Устройство подходит для использования во всех учреждениях, включая домашние хозяйства и учреждения, подключенные непосредственно к общественной низковольтной системе электроснабжения, питающей жилые здания.
Гармоническая эмиссия IEC 61000-3-2	Класс А	
Колебания напряжения / фликер IEC 61000-3-3	Устройство не должно вызывать фликер, так как ток после запуска практически постоянен.	

Руководство и заявление производителя: электромагнитная устойчивость			
Для IEC 60601-1-2:2014/AMD1:2020 - Изделия медицинские электрические. Часть 1-2. Общие требования безопасности с учетом основных функциональных характеристик. Параллельный стандарт. Электромагнитные помехи. Требования и испытания.			
Устройство предназначено к использованию в электромагнитной обстановке, как указано ниже. Покупатель или пользователь устройства должен обеспечить эксплуатацию устройства в таких условиях.			
Испытание устойчивости	Степень жесткости испытания согласно IEC 60601-1-2	Уровень соответствия	Электромагнитная обстановка: руководство
Электростатический разряд IEC 61000-4-2	± 8 кВ контактный ± 15 кВ воздушный	± 8 кВ контактный ± 15 кВ воздушный	Полы должны быть из дерева, бетона или керамической плитки. Если полы покрыты синтетическим материалом, относительная влажность должна быть минимум 30 %.
Электрические наносекундные импульсные помехи IEC 61000-4-4	± 2 кВ для портов электропитания ± 1 кВ портов ввода/вывода	± 2 кВ 100 кГц частота повторения Применимо при подключении к основному источнику питания	Качество основного источника электропитания должно соответствовать нормам для коммерческих или лечебных учреждений.
Микросекундные импульсные помехи большой энергии IEC 61000-4-5	± 1 кВ в дифференциальном режиме, ± 2 кВ в обычном режиме	± 1 кВ фаза-нейтраль ± 2 кВ фаза-защитное заземление; нейтраль-защитное заземление Применимо при подключении к основному источнику питания	Качество основного источника электропитания должно соответствовать нормам для коммерческих или лечебных учреждений.
Падение напряжения, кратковременное прерывание энергоснабжения и изменение напряжения на линиях электроснабжения IEC 60601-4-11	U _T =0%, 0,5 цикла (b 0, 45, 90, 135, 180, 225, 270 и 315°) U _T =0%, 1 цикл U _T =70% 25/30 циклов (для 0°) U _T =0%, 250/300 циклов	U _T >=95%, 0,5 цикла (b 0, 45, 90, 135, 180, 225, 270 и 315°) U _T >=95%, 1 цикл U _T =70% (30% падение U _T), 25(50Hz)/30(60Hz) циклов (для 0°) U _T >=95%, 250(50Hz)/300(60Hz) циклов	Качество основного источника электропитания должно соответствовать нормам для коммерческих или лечебных учреждений. Устройство отключается и повторно запускается при каждом падении напряжения. В этом случае удается избежать недопустимого падения давления.
Частота сети (50 / 60 Гц) IEC 61000-4-8	30 А/м	30 А/м	Магнитные поля промышленной частоты должны быть на уровне, характерном для типичного местоположения в типичном коммерческом или лечебном учреждении
Узлучаемые поля в непосредственной близости согласно IEC 61000-4-39	30 А/м	30 А/м	Магнитные поля промышленной частоты должны быть на уровне, характерном для типичного местоположения в типичном коммерческом или лечебном учреждении
ПРИМЕЧАНИЕ. U _T — напряжение главного источника питания переменного тока до применения степени жесткости испытаний.			

Руководство и заявление производителя: электромагнитная устойчивость

Для IEC 60601-1-2:2014 - Изделия медицинские электрические. Часть 1-2. Общие требования безопасности с учетом основных функциональных характеристик. Параллельный стандарт. Электромагнитные помехи. Требования и испытания.

Устройство предназначено к использованию в электромагнитной обстановке, как указано ниже. Покупатель или пользователь устройства должен обеспечить эксплуатацию устройства в таких условиях.

Испытание устойчивости	Степень жесткости испытания согласно IEC 60601-1-2	Уровень соответствия	Электромагнитная обстановка: руководство
<p>Наведенные РЧ-поля IEC 61000-4-6</p> <p>Радиочастотное электромагнитное поле IEC 61000-4-3</p>	<p>3 В среднеквадратическое напряжение от 150 кГц до 80 МГц</p> <p>3 В/м от 80 МГц до 2,7 ГГц</p>	<p>3 В среднеквадратическое напряжение</p> <p>3 В/м</p>	<p>Портативное и мобильное радиооборудование не рекомендуется использовать возле любой части устройства, включая кабели, ближе рекомендованного расстояния, рассчитанного в уравнении на основе частоты передатчика.</p> <p>Рекомендуемое расстояние $d = 1,2\sqrt{P}$</p> <p>$d = 1,2\sqrt{P}$, от 80 МГц до 800 МГц</p> <p>$d = 2,3\sqrt{P}$, от 800 МГц до 2,7 ГГц</p> <p>Здесь P — максимальная номинальная мощность передатчика на выходе в ваттах (Вт) согласно данным производителя, а d — рекомендованное расстояние в метрах (м).</p>
<p>Поля близости от радиочастотных беспроводных коммуникационных Устройств IEC 61000-4-3</p>	<p>9 до 28 В/м 15 специфических частот (380 до 5800 MHz)</p>	<p>9 до 28 В/м 15 специфических частот (380 до 5800 MHz)</p>	<p>Напряженность поля, создаваемая постоянными РЧ-передатчиками и определяемая в результате практического измерения электромагнитного поля^a, должна быть меньше, чем значения для уровня соответствия в каждом диапазоне частот.^b Помехи могут возникать поблизости от оборудования, отмеченного таким знаком:</p> 

ПРИМЕЧАНИЕ 1. В диапазоне частот от 80 МГц до 800 МГц применяется большее значение.

ПРИМЕЧАНИЕ 2. Данные руководства применимы не во всех ситуациях. Поглощение и отражение электромагнитных волн зданиями, объектами и людьми влияют на их распространение.

^a Напряженность поля от постоянных передатчиков, например базовых станций радиотелефонов (мобильных или беспроводных) и сухопутных систем подвижной радиосвязи, радиоловительской связи, AM- и FM-радиостанций и телевизионных вышек, нельзя точно рассчитать в теории. Чтобы оценить электромагнитную обстановку вблизи от постоянных РЧ-передатчиков, необходимо провести практические измерения электромагнитного поля. Если измеренная напряженность поля в месте, где используется устройство превышает применимый уровень соответствия устойчивости к РЧ-помехам, указанный выше, необходимо внимательно следить за функционированием устройства, чтобы обеспечить нормальную работу. Если наблюдаются неполадки в работе устройства, могут потребоваться дополнительные меры, например перестановка или перемещение устройства.

^b За пределами диапазона частот от 150 кГц до 80 кГц напряженность поля должна быть менее 3 В/м.

УСТАНОВКА



Риск неправильной установки.

Установку компрессора и ввод его в эксплуатацию должен выполнять только квалифицированный технический специалист. Этот специалист должен обучить представителей обслуживающего персонала эксплуатации и техническому обслуживанию оборудования. Чтобы подтвердить установку и обучение операторов, необходимо внести запись в журнал установки оборудования. (См. раздел «Приложение»)

10. УСЛОВИЯ ПРИ УСТАНОВКЕ

- Компрессор можно устанавливать и эксплуатировать только в сухих, хорошо проветриваемых и чистых помещениях, условия окружающей среды в которых соответствуют требованиям, изложенным в разделе «Технические характеристики».



Опасность повреждения устройства.

Оборудование нельзя эксплуатировать на открытом воздухе или во влажных либо сырых средах.



Опасность взрыва.

Запрещается применять оборудование в помещениях с наличием взрывоопасных газов, пыли или воспламеняющихся жидкостей.



Опасность ожогов или возгорания. Внимание! Горячая поверхность!

Во время работы компрессора его детали и осушитель могут нагреваться до опасных температур, что может привести к повреждению материалов или причинить вред персоналу.

- Компрессор нужно устанавливать так, чтобы он был легкодоступным для эксплуатации и технического обслуживания. Убедитесь, что паспортная табличка устройства легкодоступна.
- Компрессор должен располагаться на плоской и устойчивой поверхности с учетом его массы (см. раздел «Технические характеристики»).



Опасность высокой температуры

Запрещается устанавливать препятствия для воздушного потока перед охладителем или после него. Температура внутренних или внешних частей оборудования может повыситься до опасного уровня.



После первого ввода изделия в эксплуатацию какое-то время может быть замечен «запах новой техники». Этот запах вскоре исчезнет, и он никак не влияет на нормальную эксплуатацию изделия. После установки убедитесь, что место установки проветривается должным образом.

11. КОМПРЕССОРНАЯ УСТАНОВКА

11.1. Перемещение и выгрузка компрессора

- Извлеките компрессор из упаковки.
- Если компрессор оснащен шкафом, снимите дверь, закрепленную винтами, а в случае с компрессорами DK50 4VR/50/M снимите крепежный ремень (41) в нижней части шкафа. Снимите шкаф с компрессора.

- Отсоедините компрессор от паллеты, сняв крепежные болты (Fig. 5).
- Расположите компрессор в месте будущей эксплуатации (Рис. 6).

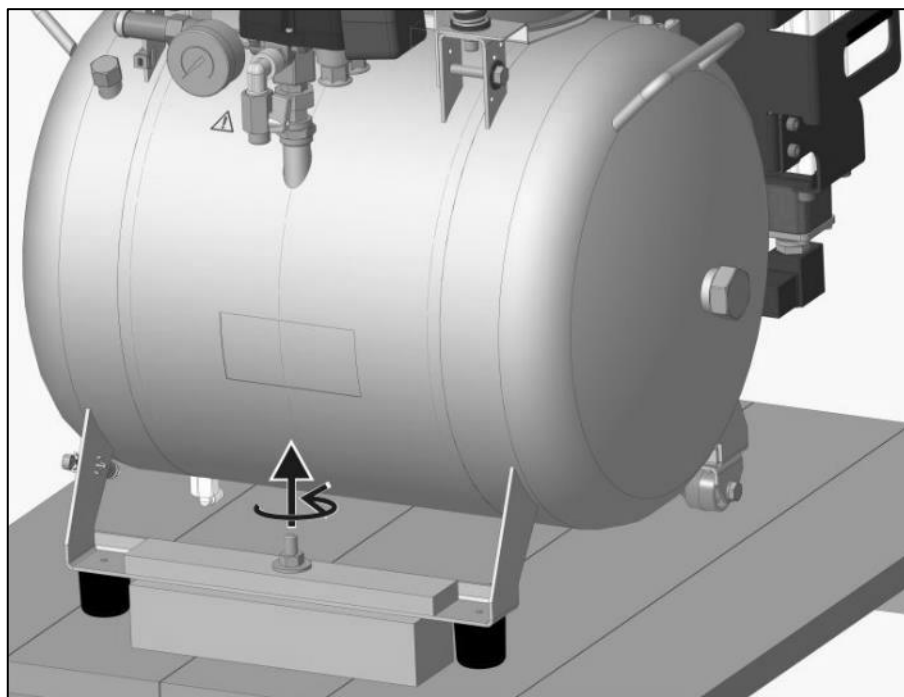


Если требуется переместить компрессор, используйте имеющиеся рукоятки. Не следует использовать для удержания другие части компрессора (агрегат и т. д.).

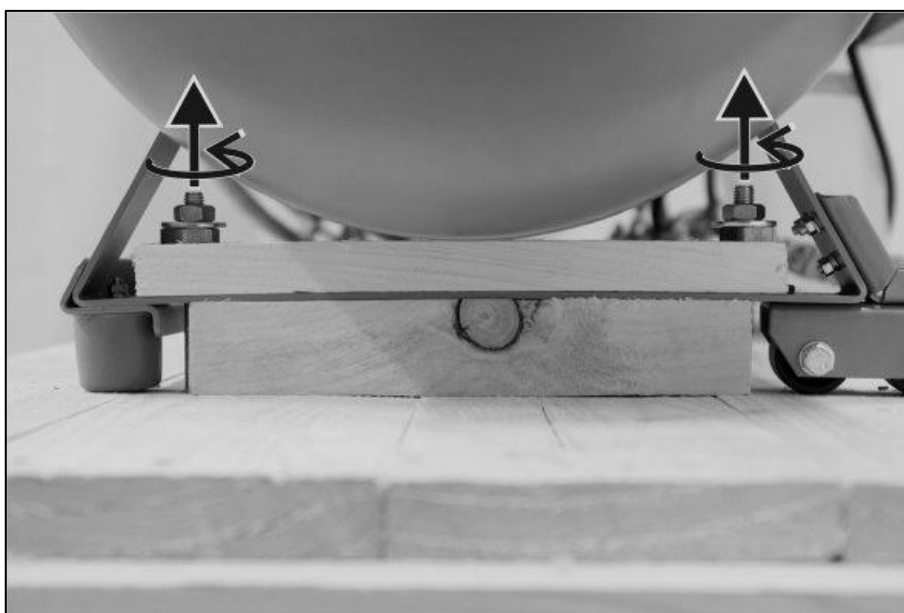


Количество людей, задействованных для перемещения оборудования, должно соответствовать весу устройства.

Рис. 5: Снятие транспортных креплений

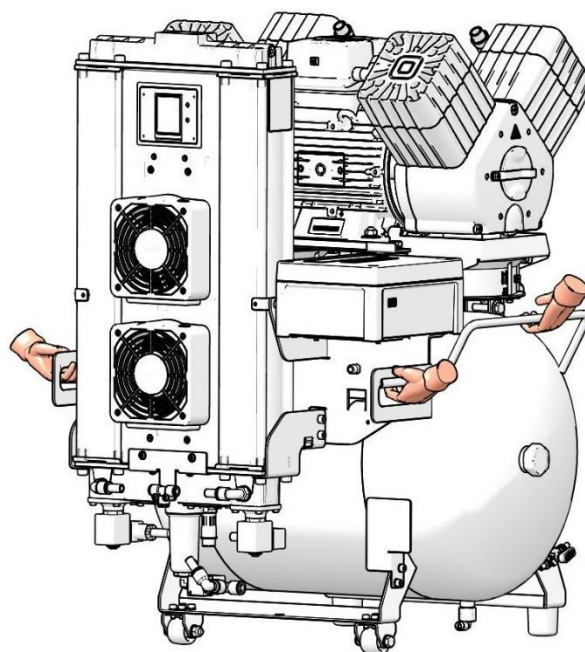
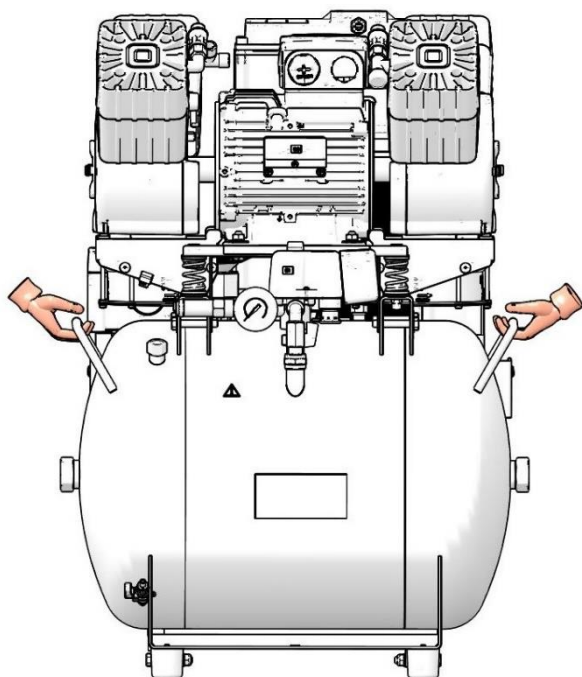
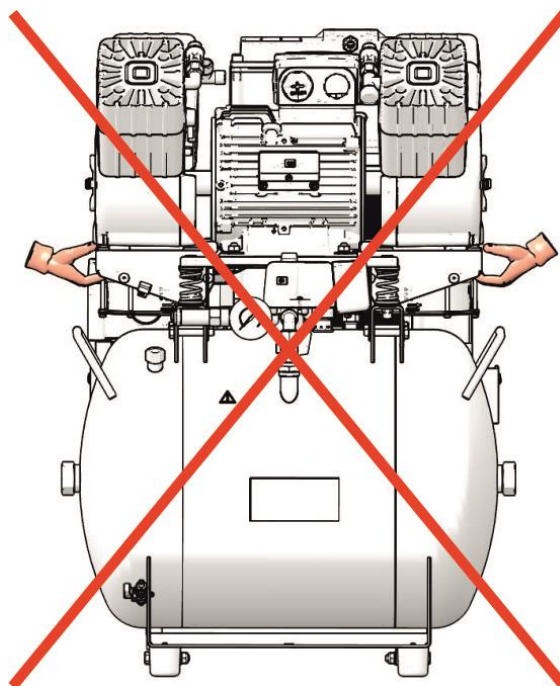


DK50 4VR/50

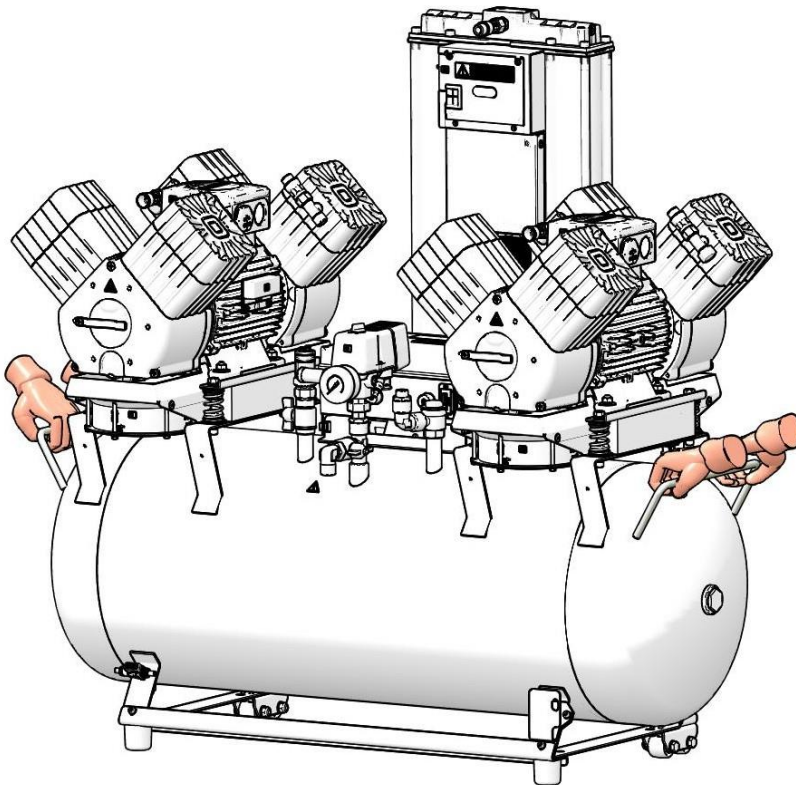
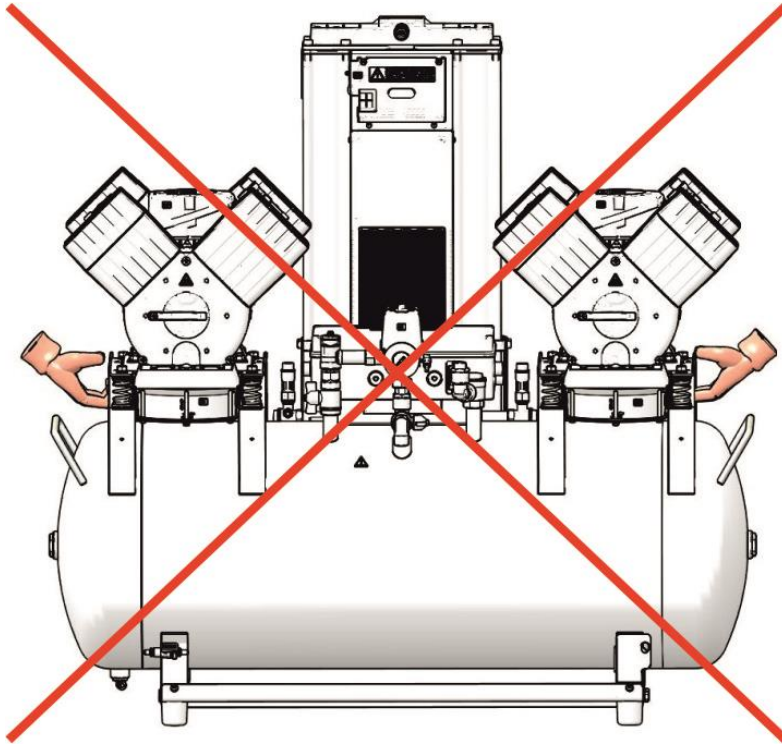


DK50 2x4VR/110

Рис. 6: Перемещение компрессора



DK50 4VR/50



DK50 2x4VR/110

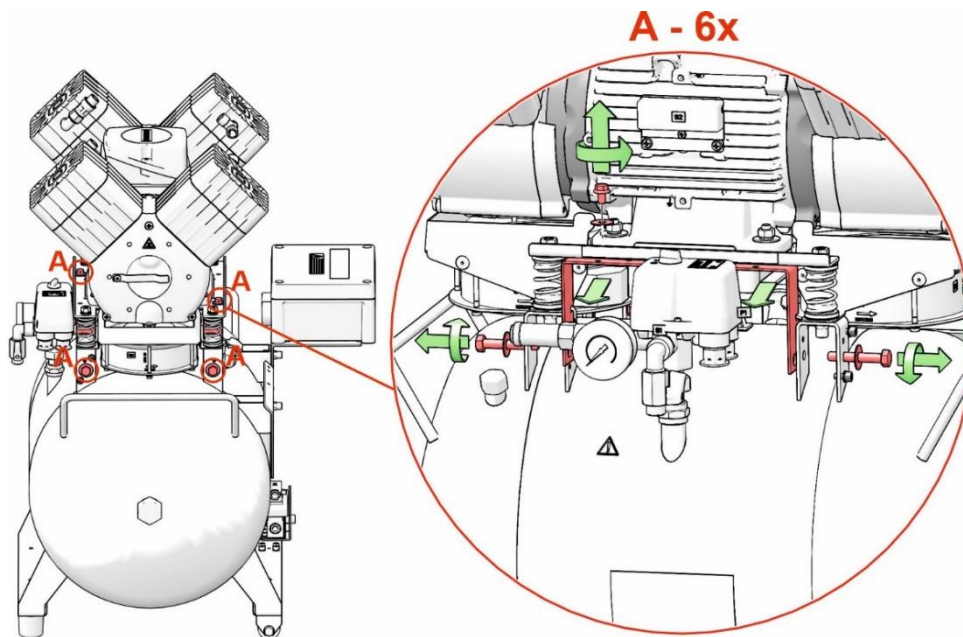
- Снимите крепления, используемые для крепления агрегата во время транспортировки: используйте гаечный ключ на 10 мм для снятия верхних болтов, а затем используйте ключ на 13 мм для снятия нижних боковых болтов (Рис. 7).



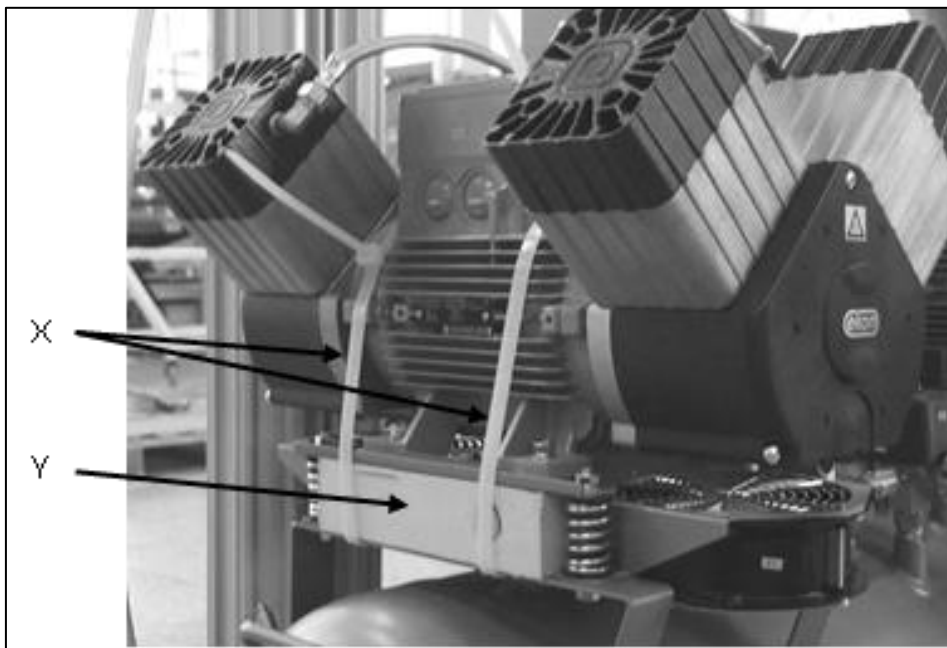
Перед установкой необходимо устранить все элементы упаковки и стабилизаторы, служащие для фиксации оборудования во время транспортировки, во избежание опасности повреждения изделия.

После окончательной установки и выравнивания компрессора на месте демонтируйте все приспособления, использовавшиеся для защиты агрегатов.

Рис. 7: Разъединение агрегатов



DK50 4VR/50



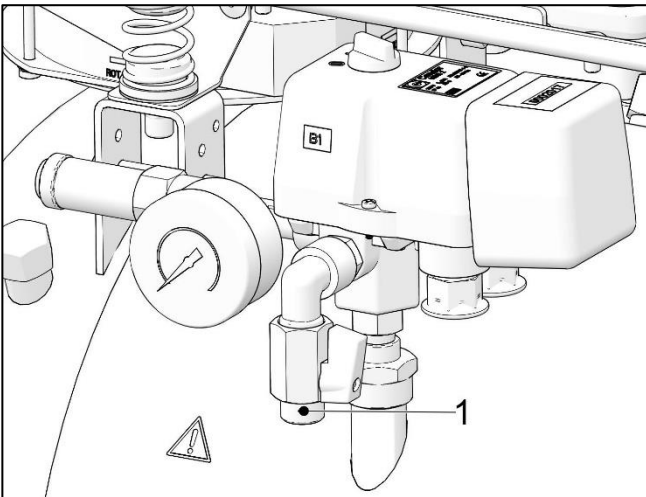
DK50 2x4VR/110

12. ПНЕВМАТИЧЕСКИЕ СОЕДИНЕНИЯ

12.1. Подключение к выпускному воздуховоду сжатого воздуха

- Проложите напорную линию от выпускного отверстия сжатого воздуха (1) на компрессоре к устройству.
- Установлены соединения G 3/8" (DK50 4VR/50), G1/2" (DK50 2x4VR/110).
- Для компрессоров, смонтированных в шкафах, проложите напорный шланг через отверстие в задней стенке шкафа.

DK50 4VR/50



DK50 2x4VR/110

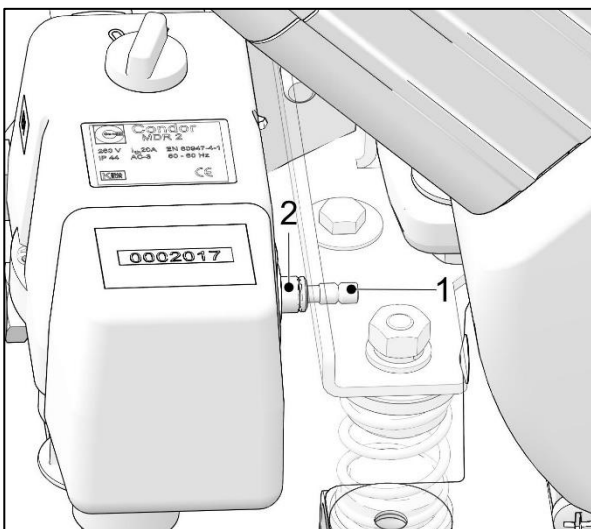


Рис. 8: Подключение к выпускному воздуховоду сжатого воздуха

12.2. Подключение манометра шкафа к компрессору

- Снимите резьбовую заглушку (1) с пневматического блока (2) на компрессоре.
- Подключите напорный шланг шкафа к фитингу с резьбой.

DK50 4VR/50



DK50 2x4VR/110

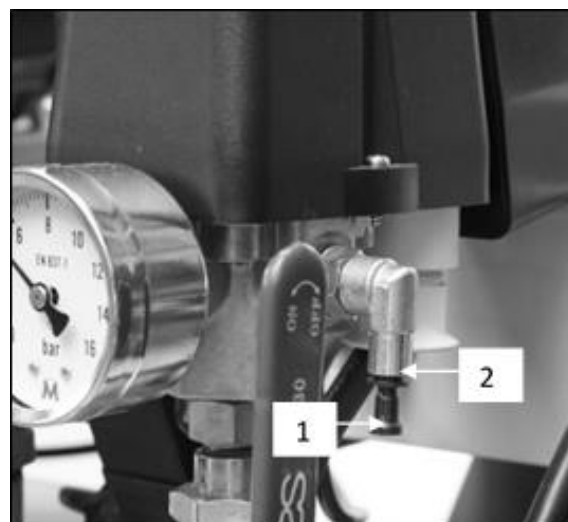


Рис. 9: Подключение манометра шкафа к компрессору

12.3. Отвод конденсата из осушителя

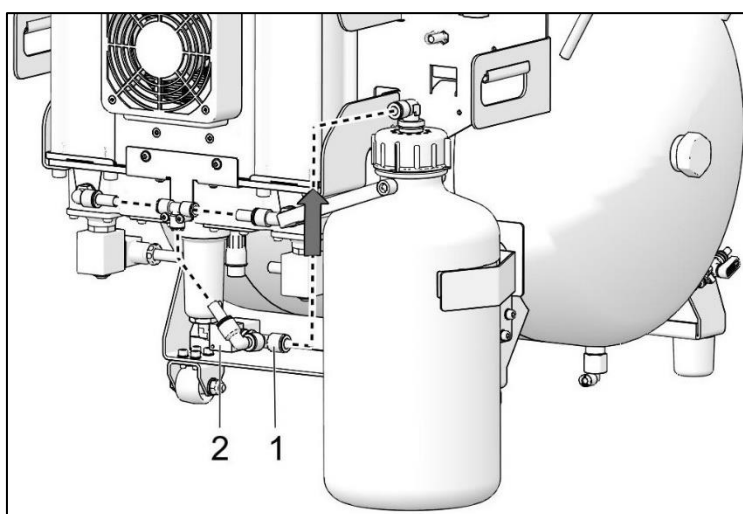


Опасность травм.

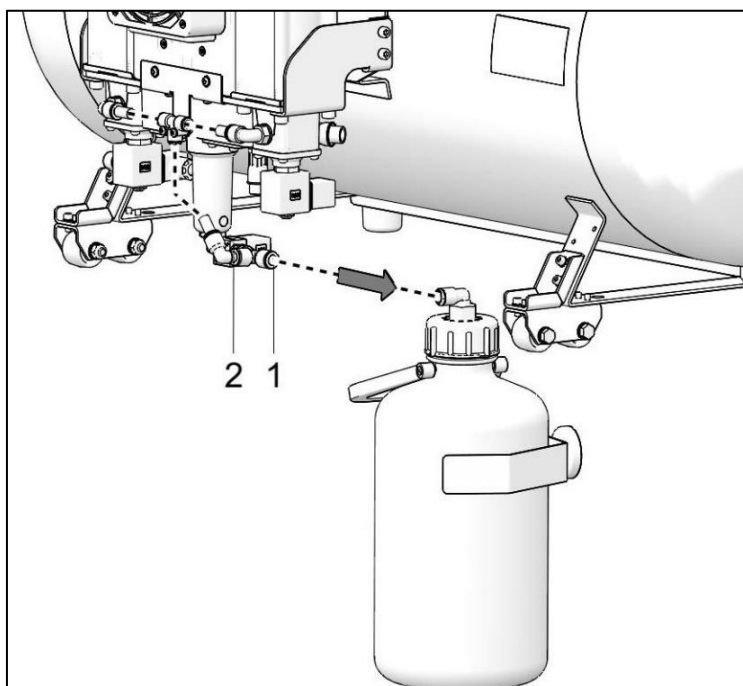
**Не присоединяйте слив для конденсата непосредственно к канализации!
Проходящие мимо люди могут получить травмы!**

- Присоедините шланг к выходу (1) автоматического конденсатоотводчика (2) к предусмотренному резервуару для сбора конденсата.
- В случае с компрессорами со шкафом проложите шланг через отверстие на задней стенке шкафа. Установите резервуар для сбора конденсата на боковую панель или заднюю панель шкафа.

Рис. 10: Отвод конденсата из осушителя



DK50 4VR/50/M



DK50 2x4VR/110/M



Возможно повреждение пневматических компонентов.
Убедитесь, что нет изгибов воздушных шлангов.

13. ЭЛЕКТРИЧЕСКИЕ СОЕДИНЕНИЯ

- Изделие поставляется в комплекте с заземленной вилкой. Это изделие поставляется укомплектованным силовым кабелем с вилкой, имеющей контакт заземления.
- Для компрессоров, монтируемых в шкафах, кабель питания следует прокладывать через отверстие, выполненное в задней стенке шкафа.
- Розетка должна находиться в легкодоступном месте, чтобы в экстренной ситуации можно было безопасно отключить устройство от сети.
- Сила тока, поступающего из распределительного шкафа, не должна превышать 16 А.



Опасность поражения электрическим током.
Убедитесь, что полностью соблюдены все местные электротехнические правила и нормы. Напряжение и частота электросети должны соответствовать данным, указанным на этикетке устройства.



Существует риск возгорания и поражения электрическим током.
Любой поврежденный электрический шнур или воздушный шланг необходимо немедленно заменить.



Существует риск возгорания и поражения электрическим током.
Не допускайте контакта электрического кабеля с нагревающимися компонентами компрессора.

- Подключите контакт (\varnothing 6 мм) (1) для эквипотенциального соединения к электрической сети, используя метод, указанный в действующих нормативных актах в области электротехники.
- Розетка для эквипотенциального соединения (2) — это дополнительная принадлежность, она не входит в базовый комплект поставки.



Рис. 11: Эквипотенциальное соединение

- Присоедините заземляющий провод к дверце и приверните ее к шкафу.

Подключение источника питания

Напряжение питания	Тип провода
230V/50 (60) Гц	3Gx1.5x4000
400V/50 (60) Гц	5Gx1.5x4000

13.1. Подключение компрессора, не установленного в шкаф

- Вставьте вилку в розетку номинального напряжения.
- Компрессор готов к эксплуатации.

13.2. Подключение компрессора, установленного в шкаф

- Выведите вилку сетевого шнура через отверстие в задней стенке шкафа. (Рис. 12)
- Подключите шкаф к компрессору, вставив поставляемый в комплекте шнур питания со штекером в розетку (Рис. 13).
- Отключите шкаф от компрессора, открыв защелку и вынув штекер из розетки.
- Подсоедините дисплей к передней двери шкафа и затем закрепите шнур в клеммах дисплея (1). Закрепите шнур компрессоров DK50 4VR/50 S/M в клемме (1) на двери шкафа (Рис. 18). Закрепите шнур компрессоров DK50 2x4VR/110 S/M в клеммах (1) на корпусе шкафа (Рис. 22).



Рис. 12: Проем в задней стенке шкафа



Рис. 13: Подключение шкафа к компрессору

14. РАЗМЕЩЕНИЕ КОМПРЕССОРА В ШКАФУ

14.1. DK50 4VR/50S/M (Рис. 4-А):

Разборка двери шкафа

- Снимите дверь, удерживаемую 2 винтами, и отсоедините разъем дисплея и провод заземления.



Во избежание повреждений, прежде чем снимать переднюю дверь, убедитесь, что разъем дисплея отсоединен.

Размещение компрессора

- Удалите соединительную полосу (41) в передней части шкафа.
- Расположите компрессор на расстоянии минимум 500 мм от шкафа, чтобы облегчить перемещение шлангов и кабеля питания в шкаф (Рис. 14).

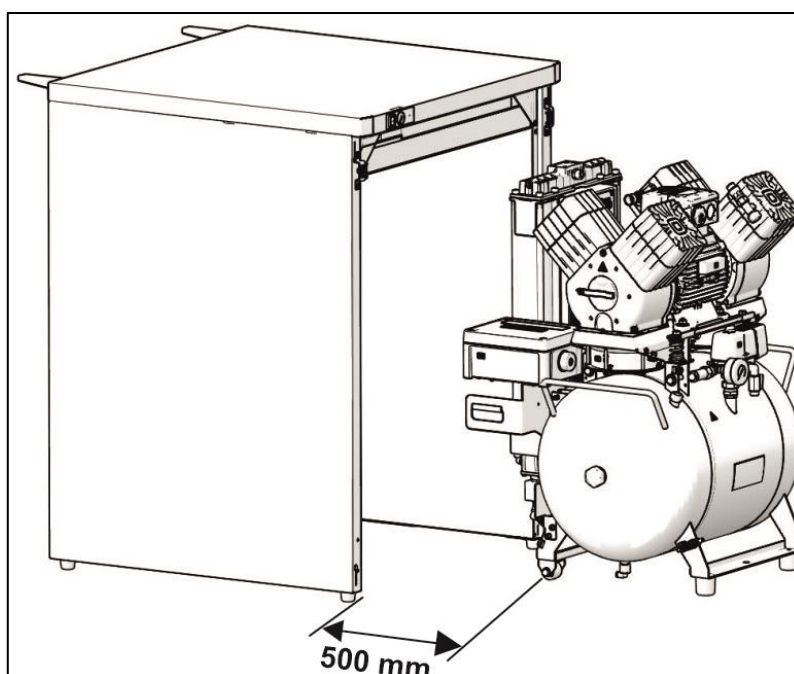


Рис. 14: Выбор расположения компрессора для подключения

- Выполните пневматические подключения согласно главе 12.1.
- Подключите бак конденсата согласно главе 12.3.
- Проложите шланг давления, шланг слива конденсата и шнур питания через отверстие в задней стенке шкафа.
- Расположите компрессор на таком расстоянии от шкафа, чтобы можно было подключить разъем WINSTA между компрессором и шкафом (Рис. 13, Рис. 15).

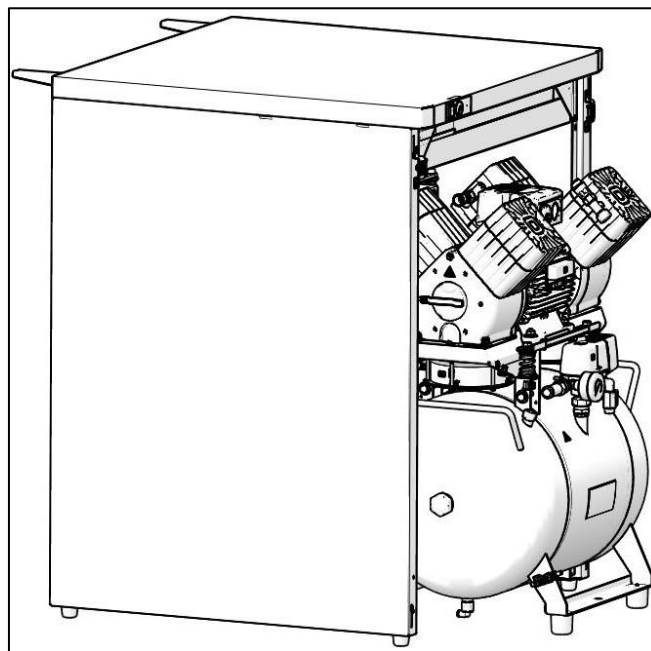


Рис. 15: Расположение компрессора для выполнения электрических подключений

- Выполните электрические подключения компрессора согласно главе 13.
- С помощью установочной тележки (35) вставьте компрессор в шкаф, разместите соединительную полосу перед шкафом и отрегулируйте положение компрессора таким образом, чтобы два V-образных паза на соединительной полосе (41) были выровнены по отношению к ножкам компрессора (Рис. 4).
- Удостоверьтесь, что компрессор полностью задвинут в шкаф, руководствуясь контрольным размером (Рис. 16).

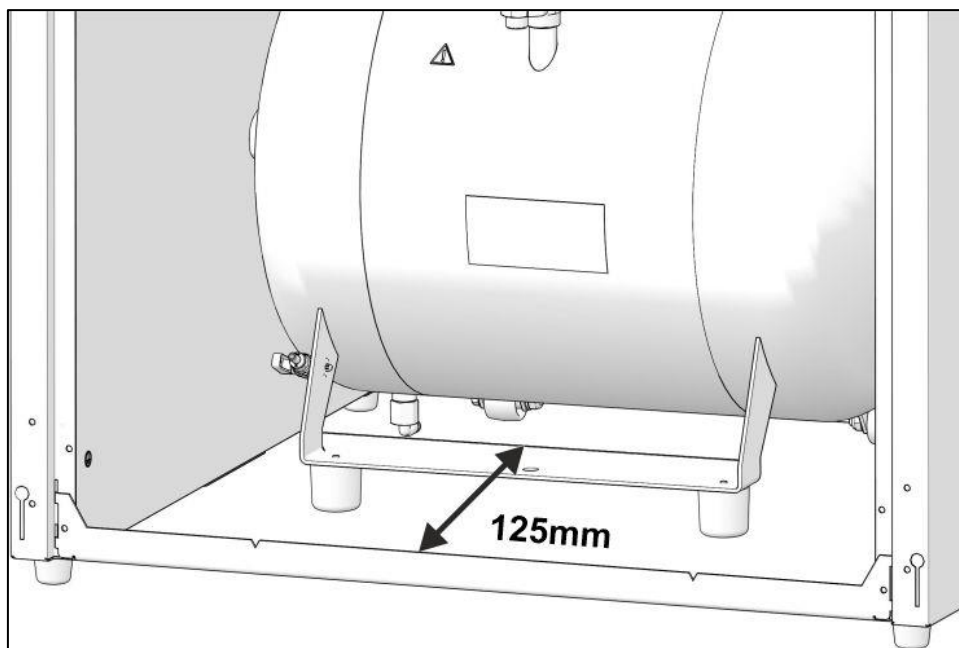


Рис. 16: Расположение компрессора DK50 4VR/50/M в шкафу

- Разместите соединительную полосу (41) в ее изначальном положении в нижней части шкафа.
- Подключите манометр шкафа к компрессору согласно главе 12.2.



Компрессор с осушителем запрещено вставлять в шкаф до упора, так как возможно необратимое повреждение осушителя.

Установка двери шкафа

- Закрепите дверь на шкафу, подсоедините разъем дисплея (Рис. 17) и закрепите шнур в зажиме дисплея (1) на передней двери (Рис. 18).
- Подсоедините провод заземления к двери и установите дверь на шкаф, закрепив ее 2 винтами.



Рис. 17: Подключение разъема дисплея

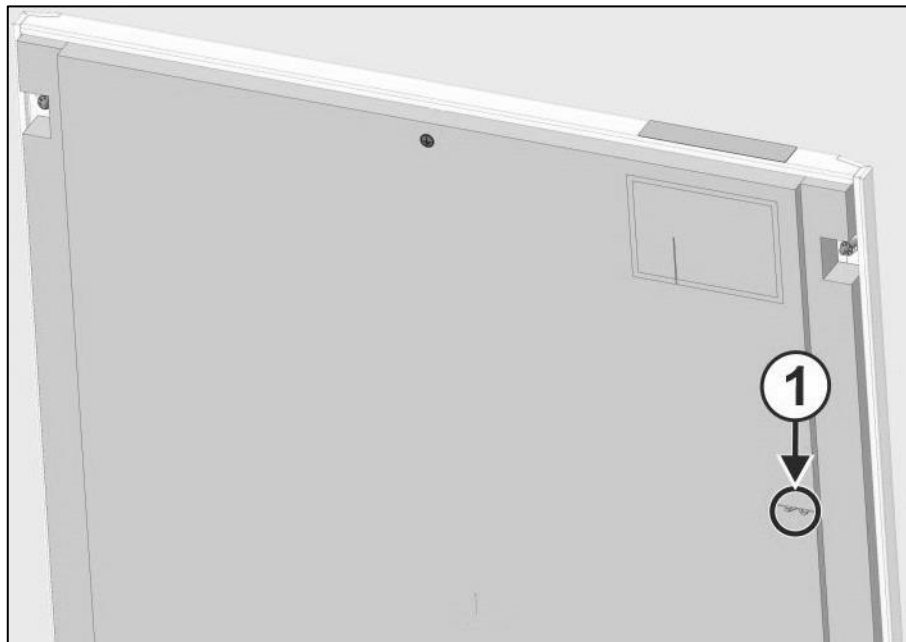


Рис. 18: Клеммы шкафа DK50 4VR/50 S/M

14.2. DK50 2x4VR/110S/M (Рис. 4-В):

Открытие верхней крышки

- Поднимите верхнюю крышку шкафа за рукоятку (42) таким образом, чтобы пневматические пружины удерживали крышку в открытом состоянии.



Закрывая крышку шкафа, будьте осторожны, чтобы не зажать пальцы.

После закрытия дверцы шкафа всегда запирайте ее с помощью быстросъемного элемента!

Разборка передней панели шкафа

- Снимите дверь, удерживаемую 4 винтами М5, и отсоедините разъем дисплея и провод заземления.



Во избежание повреждений, прежде чем снимать переднюю дверь, убедитесь, что разъем дисплея отсоединен.

Размещение компрессора

- Расположите компрессор на расстоянии минимум 500 мм от шкафа, чтобы облегчить перемещение шлангов и кабеля питания в шкаф (Рис. 19).

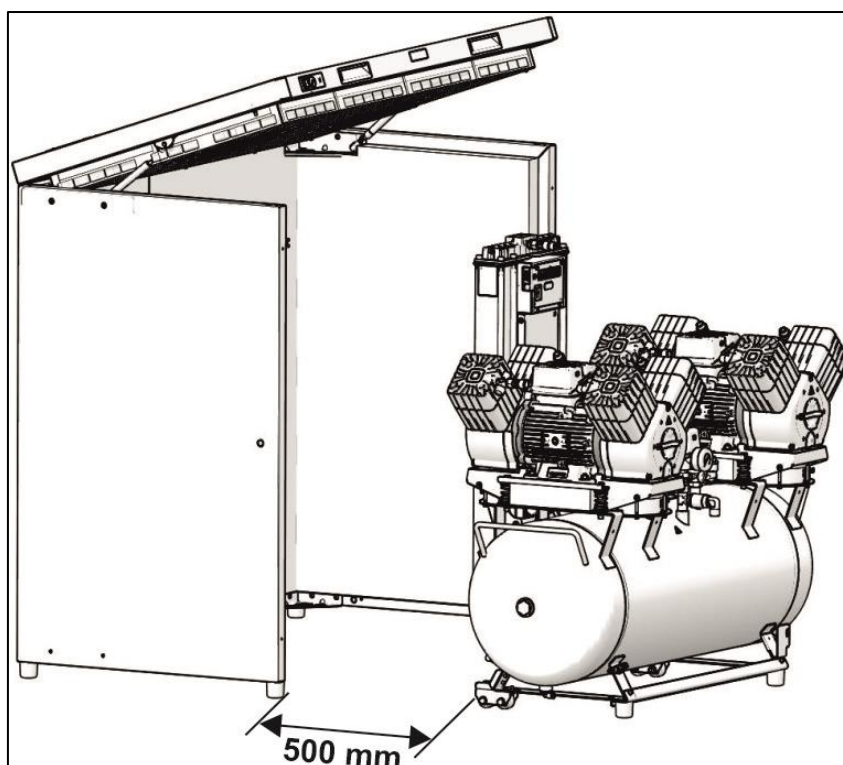


Рис. 19: Выбор расположения компрессора для подключения

- Выполните пневматические подключения согласно главе 12.1.
- Подключите бак конденсата согласно главе 12.3.
- Проложите шланг давления, шланг слива конденсата и шнур питания через отверстие в задней стенке шкафа.
- Расположите компрессор на таком расстоянии от шкафа, чтобы можно было подключить разъем WINSTA между компрессором и шкафом (Рис. 13, Рис. 20).

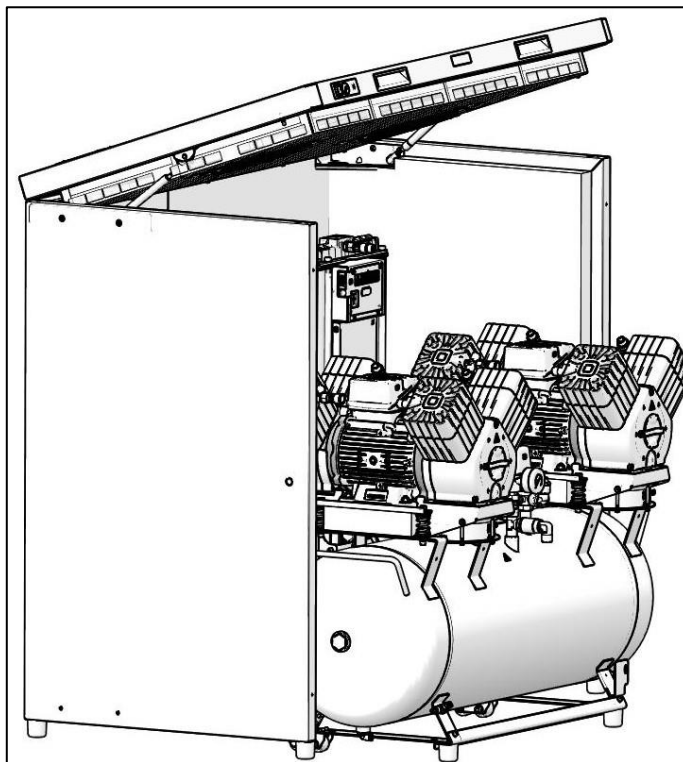


Рис. 20: Расположение компрессора для выполнения электрических подключений

- Выполните электрические подключения компрессора согласно главе 13.
- Поместите компрессор с осушителем в шкаф таким образом, чтобы вентилятор осушителя вошел в отверстие канала охлаждения в шкафу. (Рис. 21)

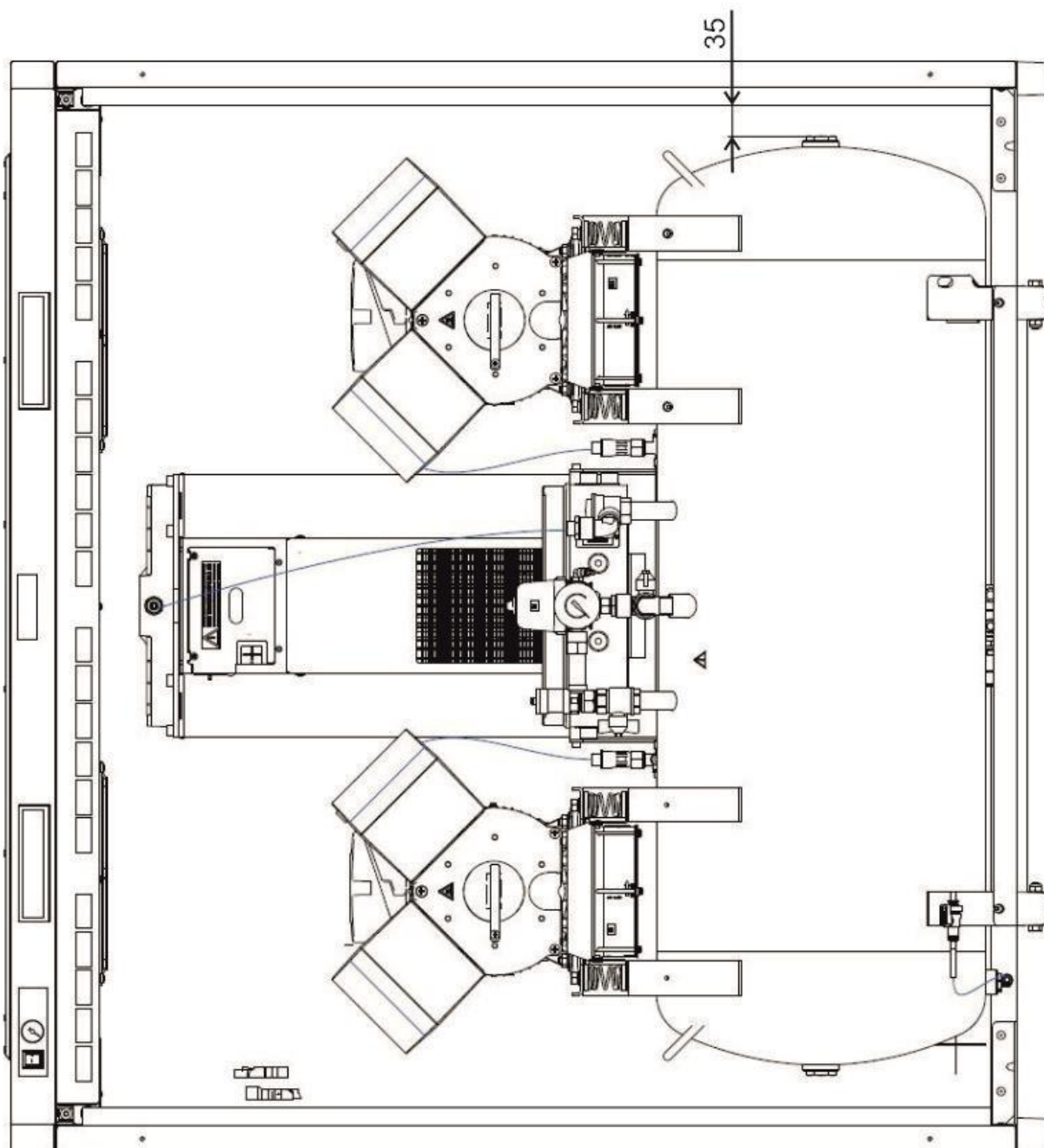


Рис. 21: Размещение компрессора в шкафу

- Подключите манометр шкафа к компрессору согласно главе 12.2.



Компрессор с осушителем запрещено вставлять в шкаф до упора, так как возможно необратимое повреждение осушителя.

Установка передней панели шкафа

- Закрепите дверь на шкафу, подсоедините разъем дисплея (Рис. 17) и закрепите шнур в зажиме дисплея (1) на передней двери (Рис. 22).

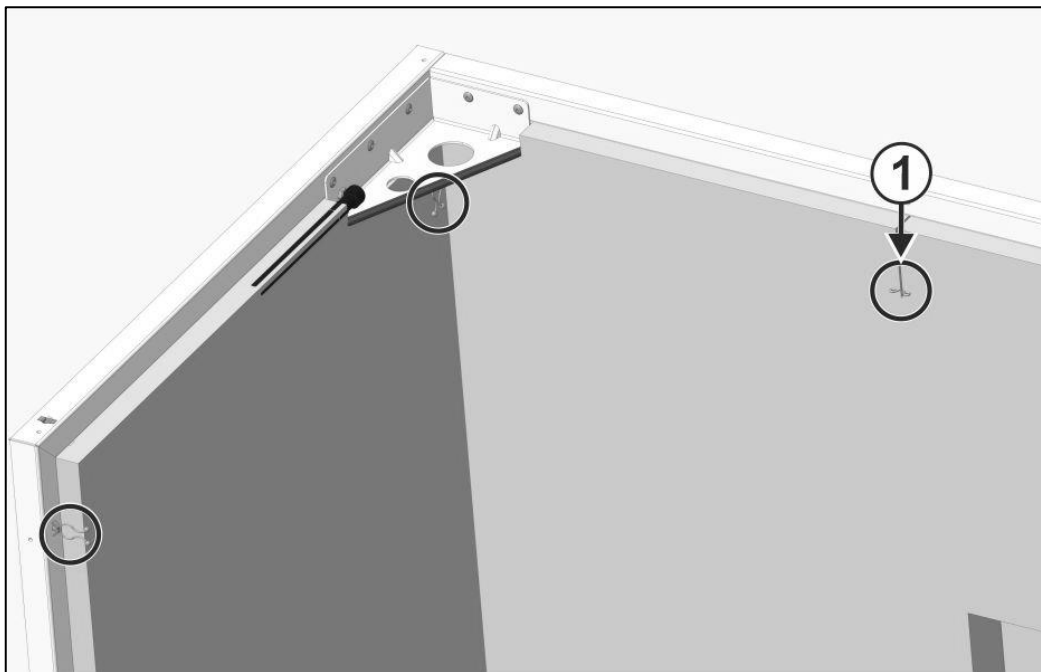


Рис. 22: Клеммы шкафа DK50 2x4VR/110 S/M

- Подсоедините провод заземления к двери и установите дверь на шкаф, закрепив ее 4 винтами.

15. ПЕРВЫЙ ЗАПУСК УСТРОЙСТВА

- Убедитесь, что сняты транспортные стабилизаторы.
- Проверьте все соединения шлангов сжатого воздуха. (см. раздел 12).
- Убедитесь, что компрессор надлежащим образом подключен к источнику питания (см. раздел 13).
- Убедитесь, что переключатель находится в положении «I» (ВКЛ.). Если переключатель (2) находится в положении «0» (ВЫКЛ.), установите его в положение «I» (ВКЛ.) (Рис. 23).
- Для компрессоров, устанавливаемых в шкафу: поверните выключатель (4) на передней стенке шкафа в положение I. Зеленый сетевой индикатор указывает, что устройство работает (Рис. 23).
- Проверьте подключение разъема шкафа к компрессору (Рис. 13).
- Проверьте подключение дисплея на передней двери шкафа.
- Проверьте подключение шланга манометра шкафа к пневматическому блоку компрессора (Рис. 9).
- Убедитесь, что шланг от автоматического конденсатоотводчика присоединен к резервуару для сбора конденсата (Рис. 10).
- Выбор языка на дисплее осушителя (см. Раздел 20.2).
- Настройка даты и времени на дисплее осушителя (см. раздел 20.3).
- Проверьте настройки режима осушения (см. раздел 20.4).

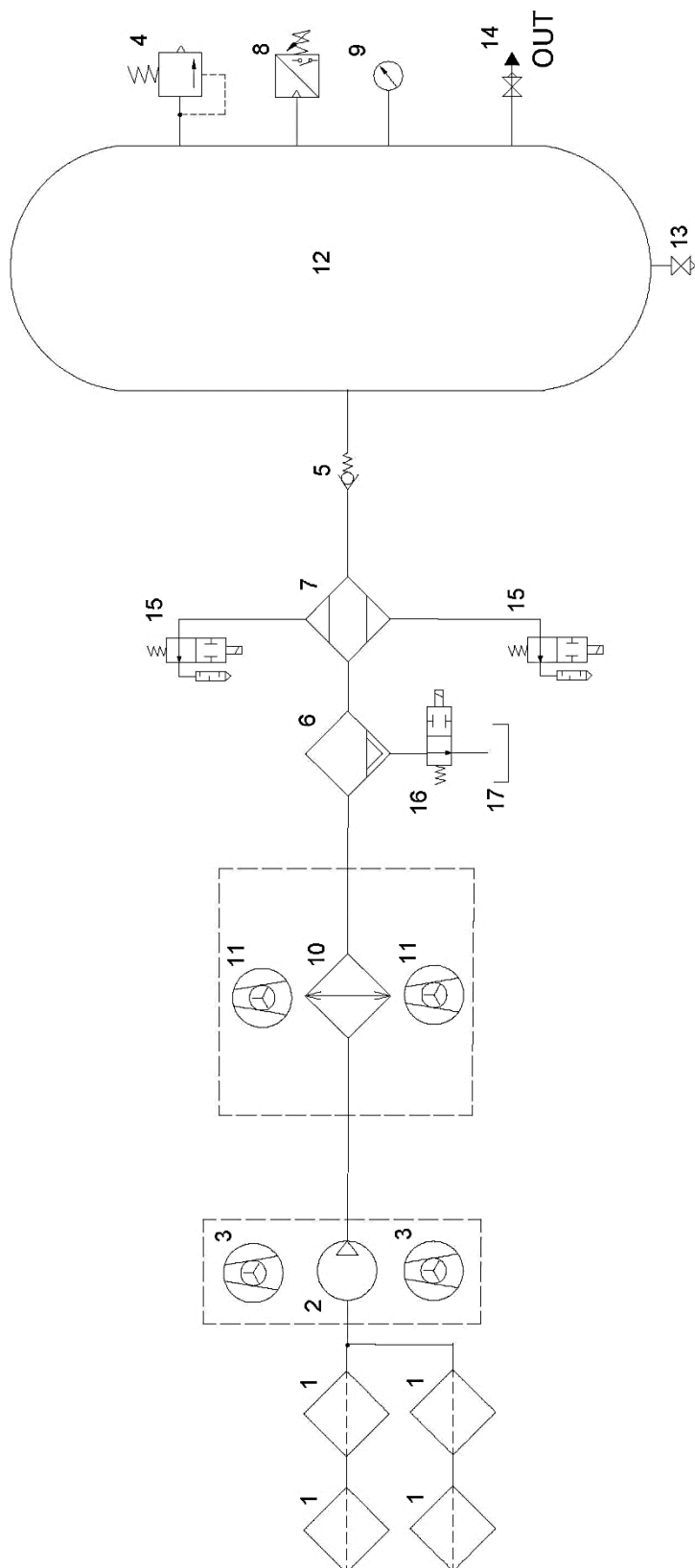


Компрессор не укомплектован резервным источником питания.

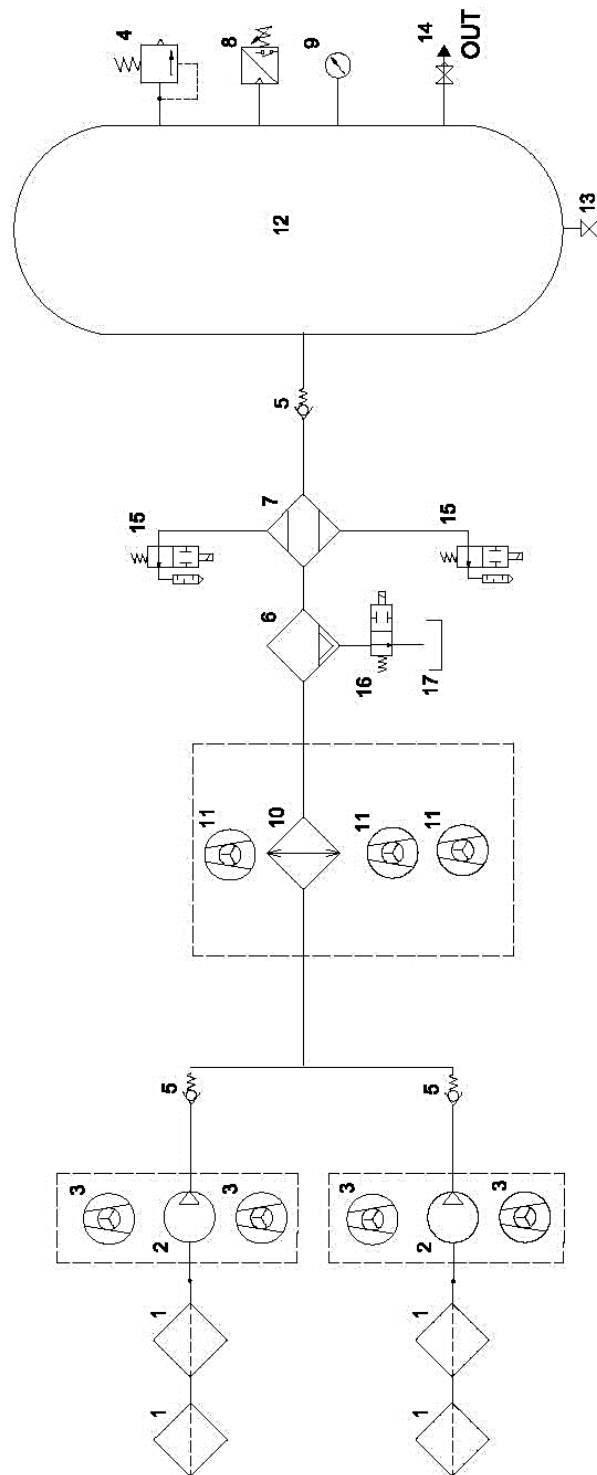
16. ПНЕВМАТИЧЕСКИЕ И ЭЛЕКТРИЧЕСКИЕ СХЕМЫ

16.1. Схема воздушной системы

DK50 4V/50/M



DK50 2x4VR/110/M



Условные обозначения на схеме циркуляции сжатого воздуха:

- | | |
|----------------------------|---|
| 1 Всасывающий фильтр | 10 Охладитель |
| 2 Агрегат | 11 Кулер вентилятора |
| 3 Вентилятор компрессора | 12 Ресивер |
| 4 Предохранительный клапан | 13 Клапан слива конденсата |
| 5 Обратный клапан | 14 Запорный клапан |
| 6 Отделитель конденсата | 15 Электромагнитный клапан – регенерация |
| 7 Осушитель | 16 Электромагнитный клапан слива конденсата |
| 8 Реле давления | 17 Резервуар для сбора конденсата |
| 9 Манометр | |

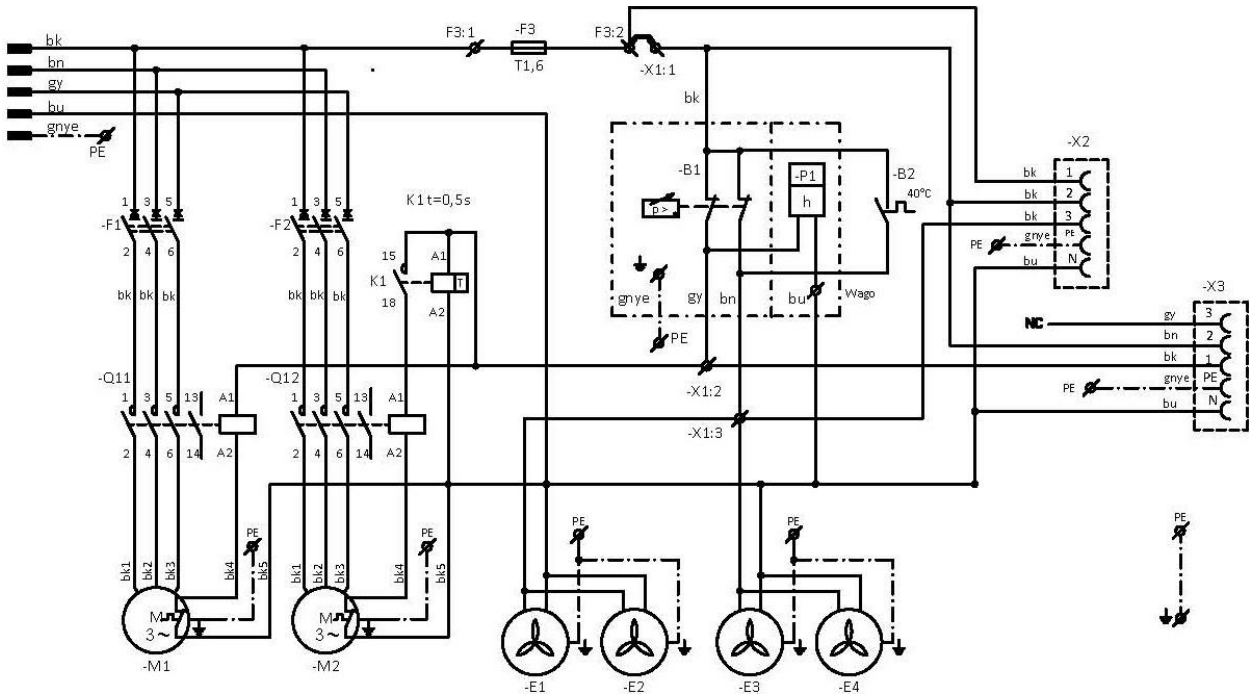
DK50 2x4VR/110/M

6 - 8 бар, 8 - 10 бар

3/N/PE~400В, 50Гц

СЕТЬ TN-S (TN-C-S)

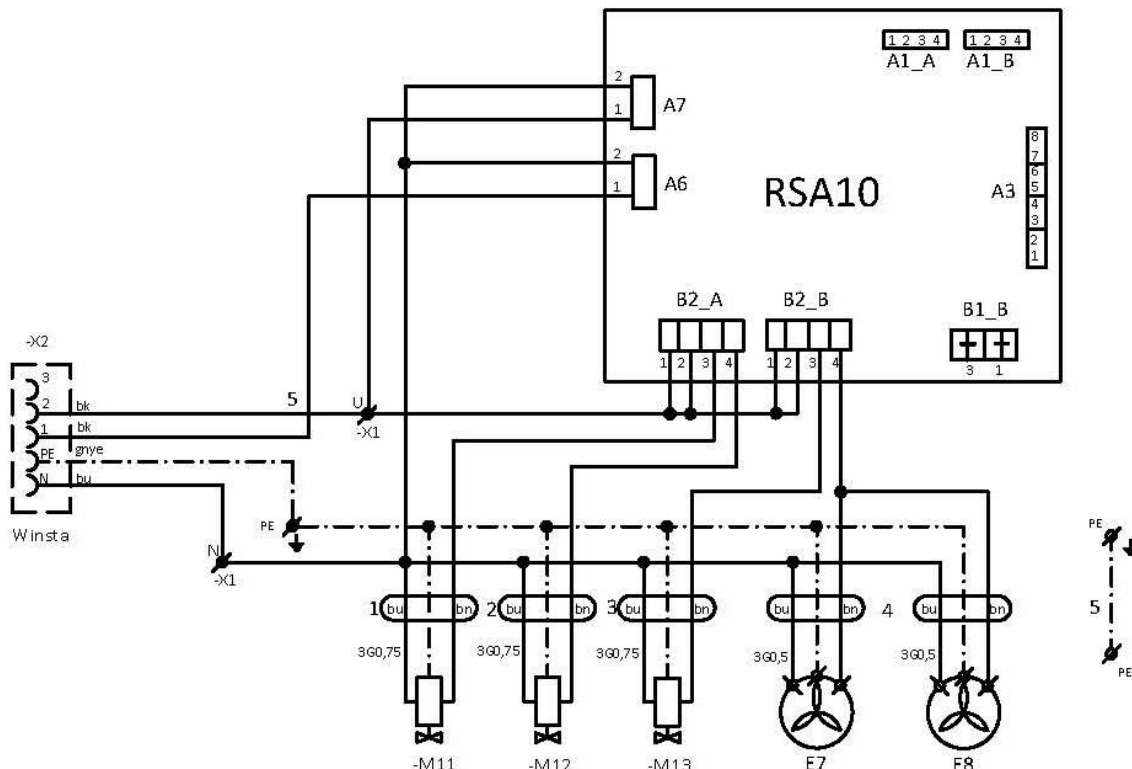
ЭЛЕКТРИЧЕСКИЙ ОБЪЕКТ 1-й КАТЕГОРИИ



AD 280EK

1/N/PE ~ 230V, 50Гц, 230V, 60Гц

ЭЛЕКТРИЧЕСКИЙ ОБЪЕКТ 1-й КАТЕГОРИИ

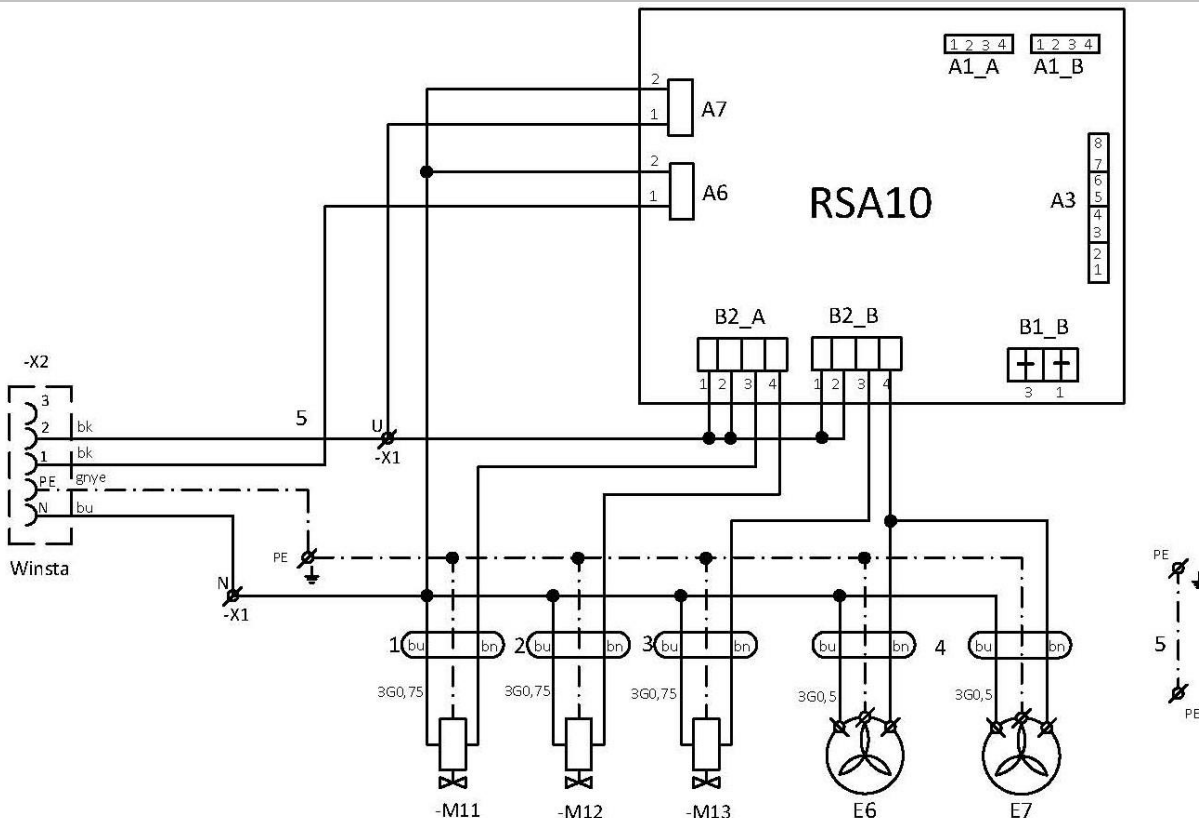


AD500

1/N/PE~230V, 50/60Гц

~120V, 60Гц

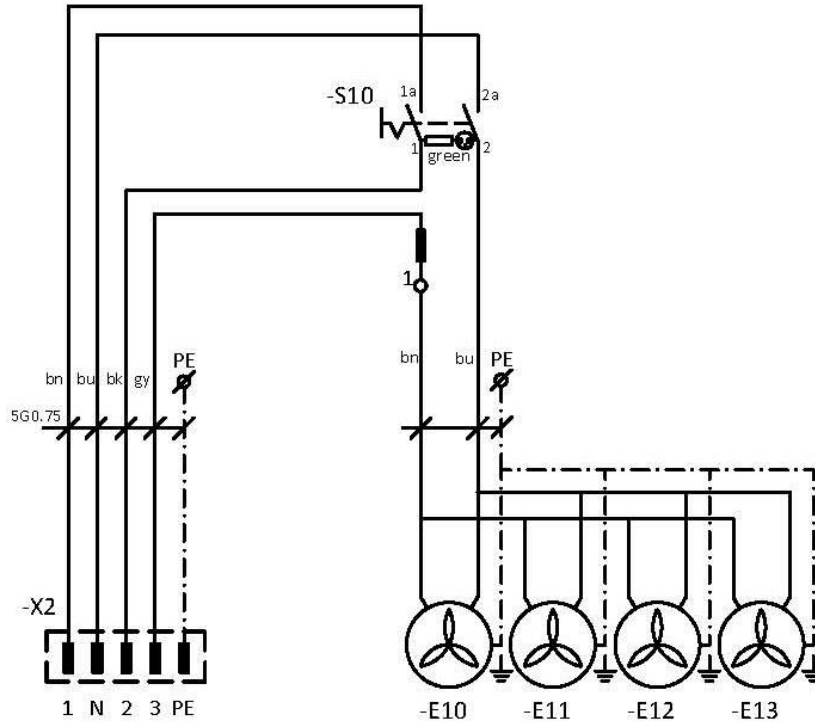
ЭЛЕКТРИЧЕСКИЙ ОБЪЕКТ 1-й КАТЕГОРИИ



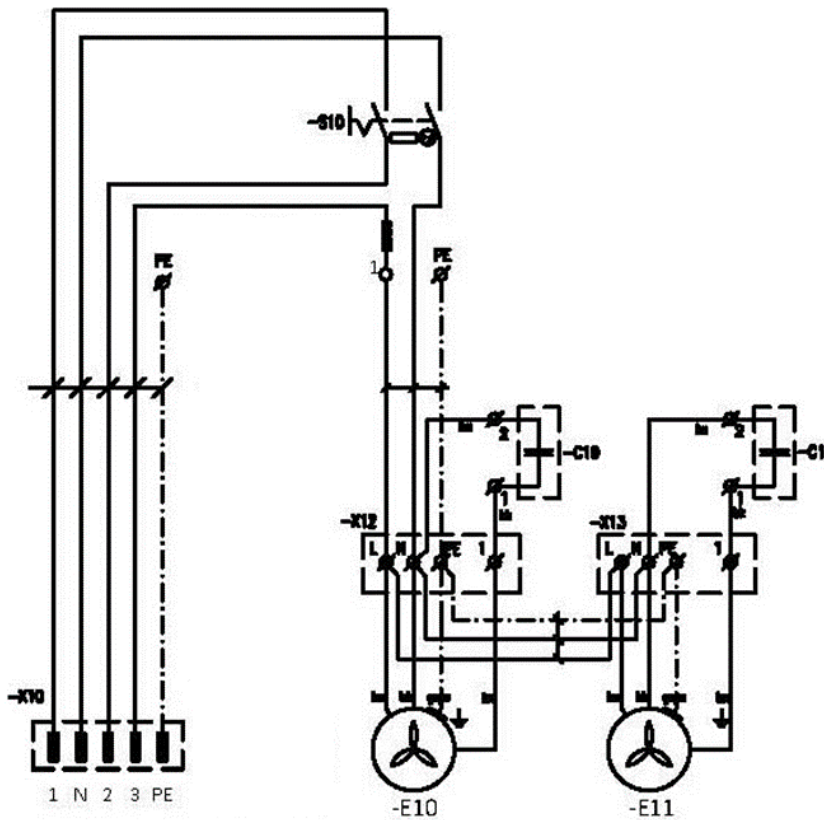
Шкаф компрессора

1/N/PE ~ 230В, 50/60Гц

ЭЛЕКТРИЧЕСКИЙ ОБЪЕКТ 1-й КАТЕГОРИИ



DK50 4VR/50 S/M



DK50 2x4VR/110 S/M

Условные обозначения на электрической схеме:

M1, M2	Двигатель компрессора	X2	Розетка	
E1 – E4	Вентилятор компрессора	X3	Разъем обслуживания	индикатора
F3	Предохранитель	S10	Переключатель	
F1, F2	Прерыватель	X10, X11	Пробка	
B1	Реле давления	E10 - E13	Вентилятор шкафа	
B2	Температурное реле	E6-E8	Вентилятор осушителя	
Q11,12	Контактор	M11, M12	Электромагнитный клапан - регенерация	
K1	Реле таймера	M4	Разгрузочный электромагнитный клапан	
P1	Часометр	RSA 10	Контроллер	
X1	Клеммная колодка			

ЭКСПЛУАТАЦИЯ

К РАБОТЕ С УСТРОЙСТВОМ ДОПУСКАЕТСЯ ТОЛЬКО ОБУЧЕННЫЙ ПЕРСОНАЛ!



Опасность поражения электрическим током.

В экстренной ситуации отключите компрессор от электросети (выньте вилку сетевого шнура из розетки).



Опасность ожогов или возгорания.

Во время работы компрессора детали воздушного насоса и элементы пневмосистемы между воздушным насосом и осушителем могут нагреваться до опасных температур, что может привести к повреждению материалов или причинить вред персоналу.



Предупреждение: Компрессор управляется автоматически.

Автоматический запуск. Когда давление в ресивере понижается до нижнего предела, компрессор автоматически включается. Компрессор автоматически выключается, когда давление в ресивере достигает уровня отключения.



Возможно повреждение пневматических компонентов.

Параметры рабочего давления для реле давления, заданные производителем, невозможно изменить. Работа компрессора при рабочем давлении ниже уровня включения свидетельствует о большом потреблении воздуха подключенным устройством (см. раздел «СРЕДСТВА И МЕТОДЫ УСТРАНЕНИЯ ПРОБЛЕМ»).



Необходимая степень осушения воздуха достигается только при указанных условиях эксплуатации.

Степень осушения воздуха (и, соответственно, температура конденсации) снижается, если рабочее давление не достигает минимального.



При длительной работе компрессора температура внутри моделей с корпусом может превысить 40 °С. При этом автоматически включаются охлаждающий вентилятор в корпусе и вентилятор компрессора. Вентиляторы останавливаются автоматически, когда температура окружающего пространства опускается ниже 32 °С.

17. ВКЛЮЧЕНИЕ КОМПРЕССОРА

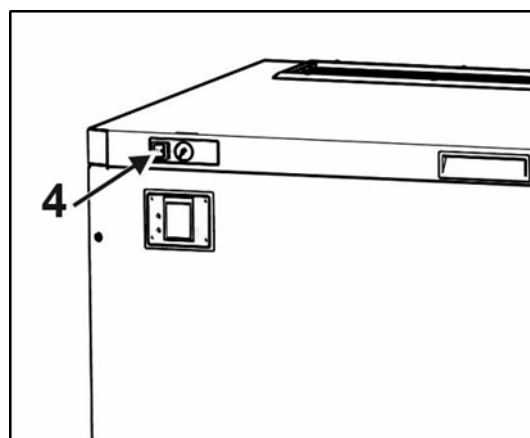
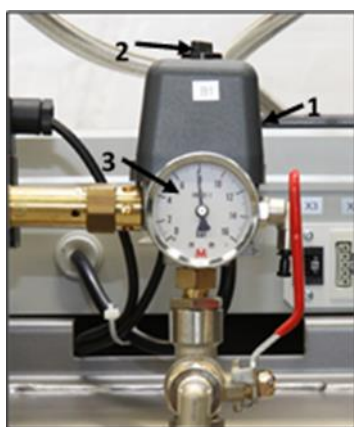
Запустите компрессор (без шкафа), повернув переключатель (2) на реле давления (1) в положение «I». В результате компрессор будет запущен, а бак заполнен до уровня выключающего давления, после чего компрессор отключится.

Запустите компрессор (со шкафом), повернув выключатель (4) на передней стороне шкафа. Индикатор начнет светиться зеленым цветом. В результате компрессор будет запущен, а бак заполнен до уровня выключающего давления, после чего компрессор отключится.

Затем компрессор будет работать в автоматическом режиме; реле давления будет включать и выключать его в зависимости от потребления сжатого воздуха.

Значения уровней давления включения и выключения можно проверить на манометре (3). Допускается погрешность до $\pm 10\%$. Давление воздуха в ресивере не должно превышать допустимое рабочее давление.

Рис. 23: Включение компрессора



Риск повреждения частей пневматической системы.

Переключатель давления (1) настроен производителем, его параметры может изменять только квалифицированный технический специалист, прошедший обучение у производителя.

18. ВЫКЛЮЧЕНИЕ КОМПРЕССОРА

- Чтобы выключить компрессор для выполнения технического обслуживания или по другой причине, поверните переключатель (2) на реле давления (1) в положение 0 (Рис. 23) и выньте вилку из розетки электросети. В результате компрессор будет отсоединен от источника питания.
- Для полного сброса давления в воздушном резервуаре откройте дренажный клапан.

АДСОРБЦИОННЫЙ ОСУШИТЕЛЬ

19. ПРИНЦИП ДЕЙСТВИЯ

Осушитель управляется сигналом, поступающим от реле давления компрессора.

Во время работы компрессора сжатый воздух поступает в охладитель, где он охлаждается, а часть конденсированной влаги отделяется во встроенном циклическом сепараторе. В нижней части сепаратора находится электромагнитный клапан V3, который сливает конденсат из сепаратора через равные промежутки времени.

Затем воздух поступает в камеру логического клапана OR1, который отслеживает давление. Если давление в камере клапана не достигает значения $P1 = 3$ бар, электромагнитные клапаны восстановления V1 и V2 (нормально закрытого типа) остаются закрытыми и восстановление не запускается. Если давление в камере логического клапана достигает 3 бар, запускается переключение камер с помощью логики, описанной в п 19.1.

Когда сигнал, поступающий от реле давления компрессора, отключается, клапаны восстановления V1 и V2 открываются на короткое время для продувки компрессорного агрегата и сушильной камеры.

Вентиляция и регенерация осушителя осуществляется посредством шланга, соединенного с дренажным патрубком сепаратора конденсата, поэтому патрубок конденсата нельзя подключить напрямую к дренажу.

19.1. Восстановление осушителя

Восстановление осушителя запускается, когда рабочее давление составляет $P1 = 3$. Во время восстановления клапаны V1 и V2 переключаются циклически, в результате чего возникает кратковременная задержка (dT) для выравнивания давления в камерах, в ходе которой оба клапана закрываются перед каждым циклом переключения.

В камере 1 рабочее давление, и эта камера находится в фазе сушки, тогда как в камере 2 атмосферное давление, и эта камера находится в фазе восстановления. Камера восстанавливается путем прохождения воздуха через форсунку осушителя.

19.2. Режим экономии энергии „Energy saving“ (только для моделей с датчиками температуры конденсации)

Осушители, оснащенные датчиками температуры конденсации, имеют дополнительный контроль над продувочным воздухом, чтобы поддерживать заданную температуру конденсации.

После того, как установится заданная температура конденсации, восстановление прекращается, чтобы оптимизировать количество продувочного воздуха. Когда восстановление прекращается, оба клапана V1 и V2 закрываются (и, следовательно, прекращается продувка камеры сухим воздухом).

Они продолжают переключаться периодически в соответствии со своим стандартным интервалом для выравнивания нагрузки на камеры.

При повышении точки конденсации режим Экономии энергии „Energy saving“ отключается, и осушитель продолжает работать с включенной регенерацией.

Продолжительность режима с отключенным восстановлением

Режим экономии энергии „Energy saving“ с отключенной регенерацией ограничен по времени. По окончании определенного интервала (4 переключения камеры) добавляется один цикл со стандартным восстановлением обеих камер.

19.3. Система аварийной сигнализации

Все аварийные сигналы устройства классифицируются как технические аварийные сигналы низкого уровня приоритета согласно EN 60601-1-8. Все аварийные сигналы подаются с помощью визуальной сигнализации (см. главу 22) и мигающего светового индикатора. В случае неисправности обратитесь к авторизованному поставщику услуг для проведения ремонта.

Состояние аварийной сигнализации указывает на потенциальную неисправность устройства. Таким образом, аварийные сигналы не могут быть отключены.

Аварийные сигналы подаются временно – после устранения причины аварийная сигнализация отключается.

Положение оператора. Особое положение оператора не требуется. Оператор может находиться в пределах видимости сигнала предупреждения, в зависимости от текущих рабочих условий.

Низкое давление. Этот сигнал активируется в случае, если датчик давления осушителя определяет низкое давление в осушителе, ниже заданного предела 3 бар. Подача этого аварийного сигнала во время работы может быть вызвана утечкой воздуха из компрессора/осушителя, сбоем управляющих электромагнитных клапанов на осушителе или ошибкой программного обеспечения.

Высокое давление. Этот сигнал активируется в случае, если датчик давления осушителя определяет повышение давления выше заданного верхнего предела. В этом случае агрегат выключится и останется выключенным, пока давление снова не понизится. Если агрегат не выключается, излишнее давление сбрасывается через предохранительный клапан на воздушном резервуаре компрессора.

Высокая точка конденсации. Этот сигнал подается в случае, когда датчик точки конденсации считывает высокое значение точки конденсации.

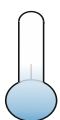
Истечение срока сервисного интервала. Этот сигнал подается до тех пор, пока не будет выполнено обслуживание и не будет обнулен/задан новый сервисный интервал.

20. ПОЛЬЗОВАТЕЛЬСКИЙ ИНТЕРФЕЙС/НАСТРОЙКИ

20.1. Значение символов на дисплее



Символ, обозначающий руководство пользователя или необходимость ознакомления с руководством пользователя.



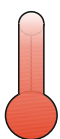
Знак, обозначающий окружающую температуру (от 25°C), относящуюся к выбранному режиму.

Программа регулирует предварительное заполнение камеры в заданном режиме.



Знак, обозначающий окружающую температуру (от 25°C до 30°C), относящуюся к выбранному режиму.

Программа регулирует предварительное заполнение камеры в заданном режиме.



Знак, обозначающий окружающую температуру (более 30°C), относящуюся к выбранному режиму.

Программа регулирует предварительное заполнение камеры в заданном режиме.



Возврат в главное меню на 4 основных экранах.



Переход назад



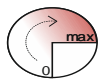
Необходимо провести техническое обслуживание



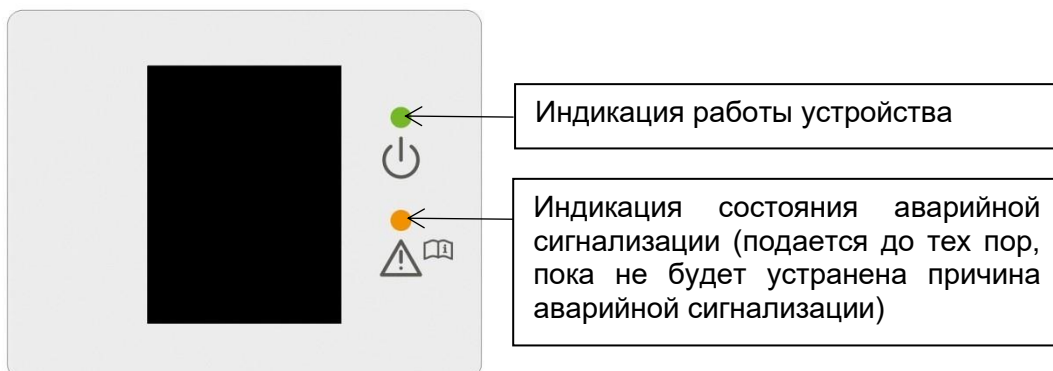
Сушильная камера сейчас в режиме восстановления



Сушильная камера сейчас в режиме сушки

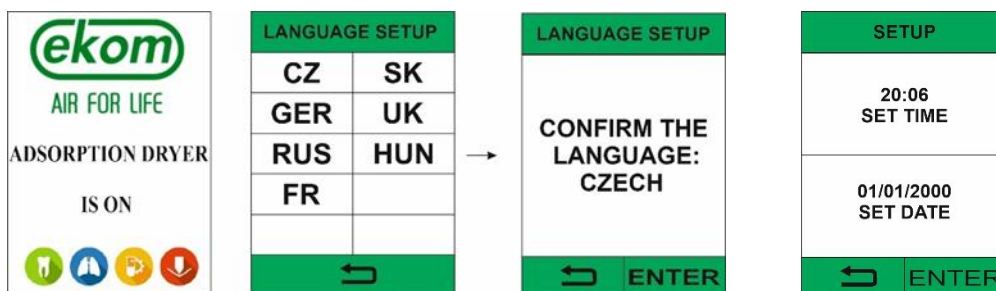


Предварительное заполнение камеры — выравнивание давления в камерах.



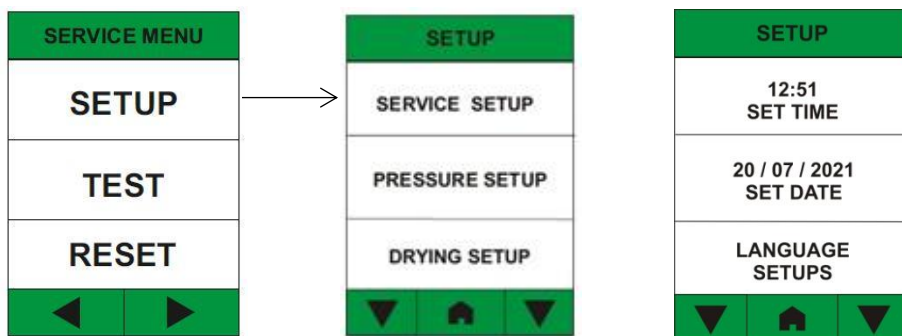
20.2. Начальные настройки пользовательского интерфейса

При первом запуске программы вы можете выбрать язык интерфейса и формат даты/времени. Специалист по обслуживанию выбирает язык и формат даты/времени во время установки исходя из географического местоположения осушителя. Программа сохраняет и запоминает эту настройку. При следующем запуске программы эта опция не появляется. Подтверждение данной опции также запускает обратный отсчет времени до обслуживания.



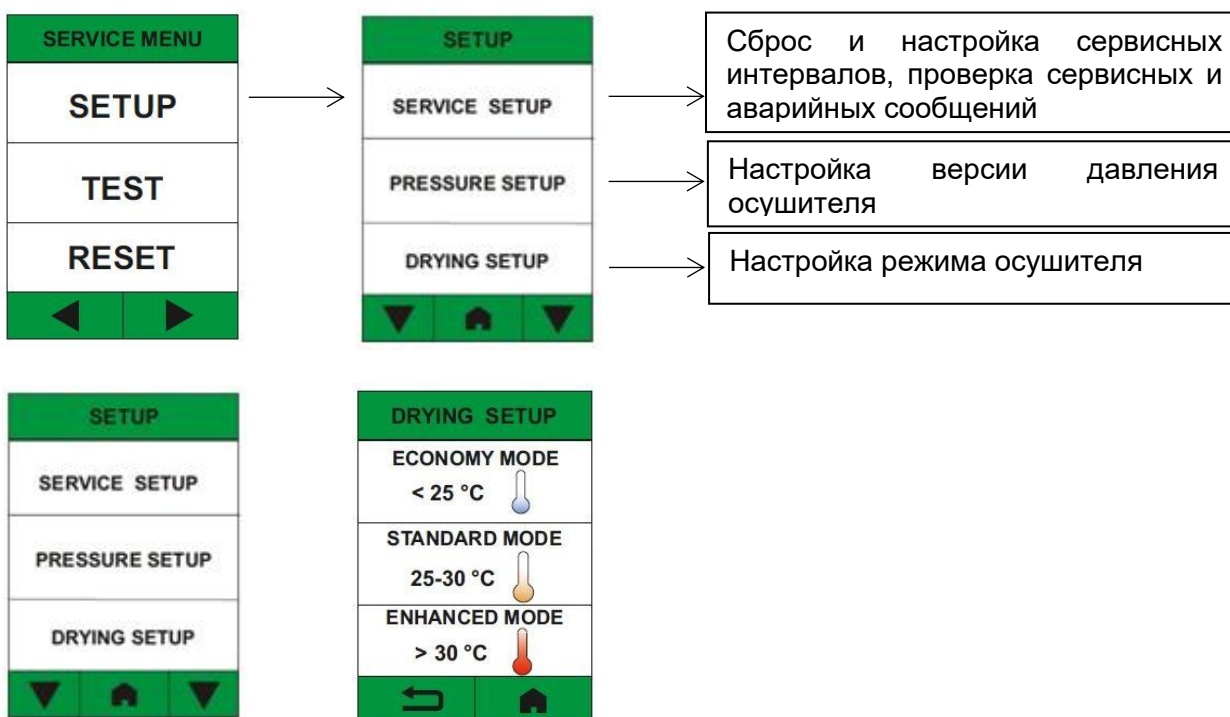
20.3. Выбор даты и времени во время настройки

Рекомендуется устанавливать дату и время во время настройки. Эти настройки меняются в сервисном меню в разделе НАСТРОЙКА. Доступ к сервисному меню защищен кодом (1992). Для настройки даты и времени нажмите кнопку со стрелкой вниз в меню НАСТРОЙКА. Кроме того, вы можете поменять настройки языка интерфейса пользователя в пункте НАСТРОЙКИ ЯЗЫКА.



20.4. Настройка режима осушения во время настройки

Режим осушения воздуха рекомендуется выбирать во время настройки. Эти настройки можно поменять в разделе СЕРВИСНЫЕ НАСТРОЙКИ сервисного меню. Доступ к сервисному меню защищен кодом.



Режим осушения выбирается в зависимости от ожидаемого диапазона давлений, при котором будет работать устройство, и версии компрессора (со шкафом или без него).

- компрессор без шкафа $t_0 < 25\text{ °C}$ - в ЭКОНОМИЧНОМ режиме (ECONOMY)
- компрессор без шкафа $t_0 = 25\text{ °C} - 30\text{ °C}$ - в СТАНДАРТНОМ режиме (STANDARD)
- компрессор без шкафа $t_0 > 30\text{ °C}$ - в УЛУЧШЕННОМ режиме (ENHANCED)
- компрессор в шкафу - в УЛУЧШЕННОМ режиме (ENHANCED)

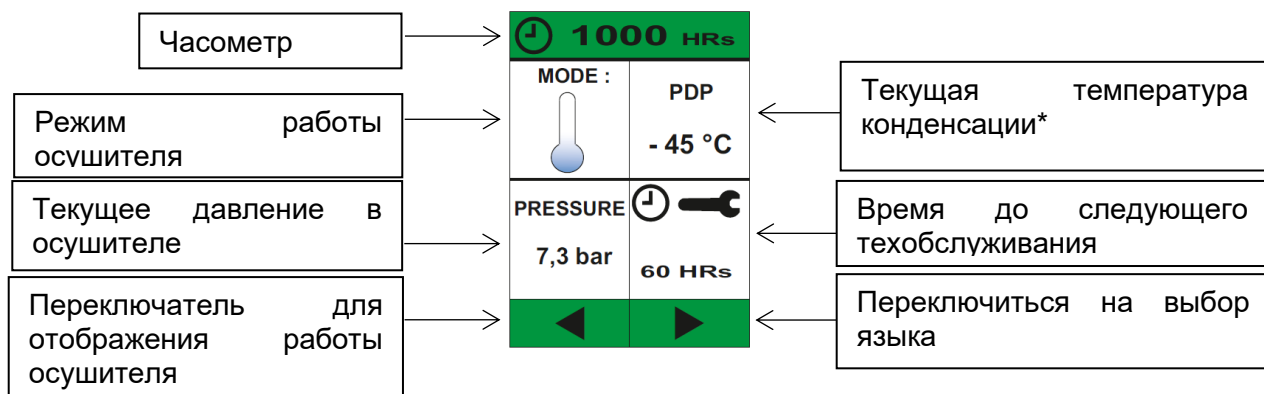
t_0 - окружающая температура

21. ОСНОВНЫЕ ЭКРАНЫ

Главный экран открывается после выбора языка интерфейса пользователя и режима осушки. Из главного окна можно перейти к четырем основным экранам.

Стрелки внизу экрана используются для перехода между отдельными экранами.

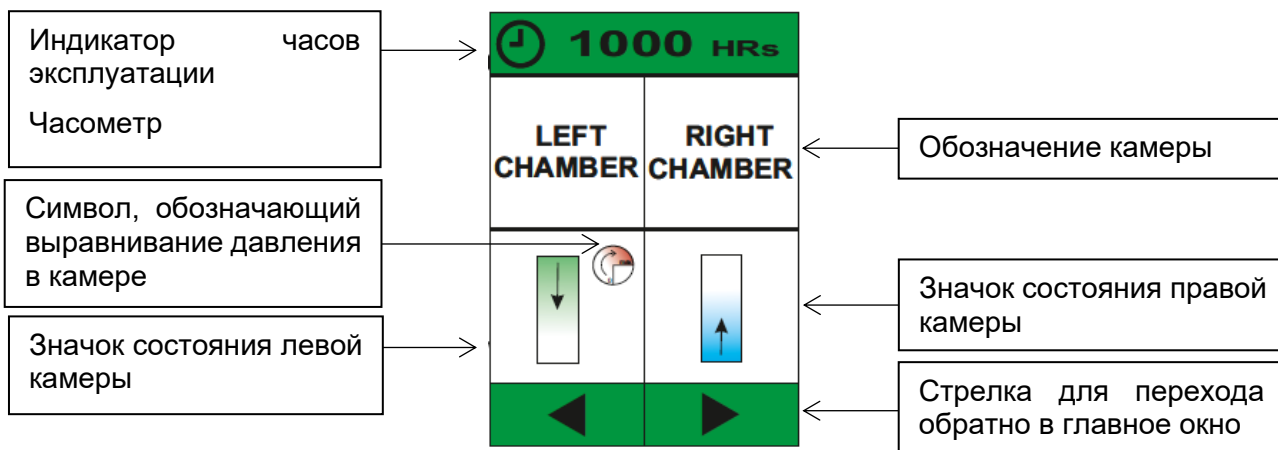
21.1. Главное окно



(* Эта информация отображается только в том случае, если компрессор оснащен датчиком температуры конденсации.)

- Основная информация и измеряемые параметры отображаются в главном окне осушителя. Индикатор часов эксплуатации расположен вверху экрана. Главное окно разделено на четыре части, в которых отображается следующая информация:
- Режим работы осушителя (см. Главу 20.1)
- Текущее давление в осушителе (минимальное рабочее давление для активации восстановления осушителя составляет 3 бар)
- Текущее значение температуры конденсации под давлением (только для компрессоров, оснащенных датчиком температуры конденсации)
- Время, оставшееся до следующего техобслуживания (см. главу 22.1, 22.2 — «Периодичность технического обслуживания»)

21.2. Экран работы осушителя



Индикатор часов эксплуатации расположен вверху экрана. Экран работы осушителя также

разделен на четыре части, где показаны рабочие циклы сушильной камеры с использованием графического представления рабочего состояния каждой камеры.



Сушильная камера сейчас в режиме восстановления

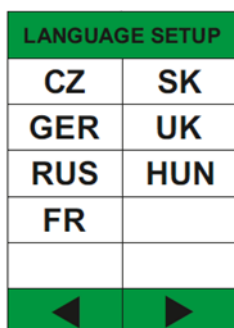


Сушильная камера сейчас в режиме сушки



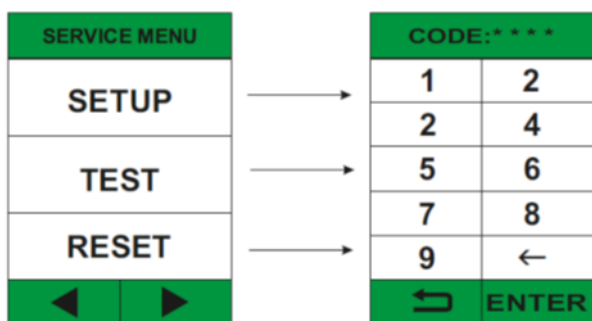
Предварительное заполнение камеры — выравнивание давления в камерах.

21.3. Экран языковых настроек



Экран языковых настроек — это один из основных экранов.

21.4. Экран меню техобслуживания



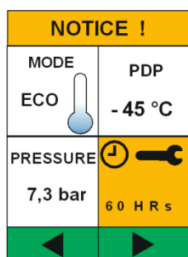
Меню техобслуживания предназначено исключительно для обслуживающего персонала. Доступ к отдельным пунктам меню защищен паролем (1992).

22. ИНДИКАЦИЯ СОСТОЯНИЯ ТЕХНИЧЕСКОГО ОБСЛУЖИВАНИЯ И АВАРИЙНОГО СОСТОЯНИЯ

Контроллер адсорбционного осушителя может измерять выбранные параметры (давление и температуру конденсации под давлением в версиях, в которых предусмотрено наличие датчика температуры конденсации) и оценивать основные рабочие состояния осушителя.

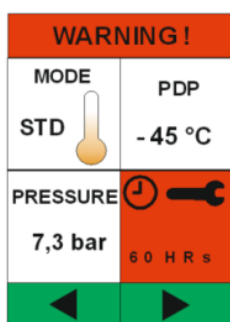
На основании измеренных параметров и данных о техобслуживании контроллер выводит на экран информацию о неисправностях, используя следующие уведомления и предупреждения.

22.1. Уведомление — Приближается время техобслуживания



- За 100 часов эксплуатации до следующего техобслуживания появляется выделенное желтым цветом уведомление Notice! («Уведомление!»). Клетка техобслуживания также загорается желтым цветом.
- На экране также отображается время, оставшееся до следующего техобслуживания.
- Это уведомление отображается до тех пор, пока не будет проведено техобслуживание и сброшен интервал между техническим обслуживанием.

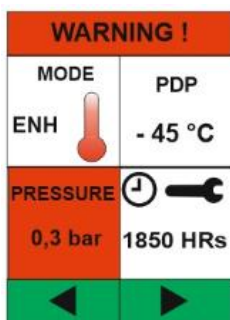
22.2. Предупреждение — Превышен интервал между техническим обслуживанием



- После истечения интервала между техническим обслуживанием на экране появляется выделенное красным цветом предупреждение Warning! («Предупреждение!»). Клетка техобслуживания также загорается красным цветом.
- Это уведомление отображается до тех пор, пока не будет проведено техобслуживание и сброшен интервал между техническим обслуживанием.
- На экране также отображается время до следующего техобслуживания.
- Список предупреждений сохраняется в журнале предупреждений (Warning log).
- осушитель продолжает нормальную работу

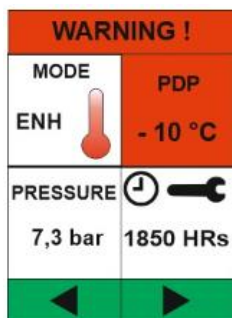
22.3. Аварийная ситуация

Низкое/высокое давление



- В случае низкого (< 3 бар) или высокого давления (> 8,5 бара или > 10,5 бара, в зависимости от версии оборудования) на экране появляется выделенное красным цветом предупреждение Warning! («Предупреждение!»). Одновременно с этим клетка текущего давления загорается красным цветом.
- Предупреждение отображается на экране до тех пор, пока сохраняется аварийная ситуация.
- Список предупреждений сохраняется в журнале предупреждений (Warning log).
- осушитель не работает нормально, регенерация не запускается, компрессор должен быть отключен.

Высокая температура конденсации

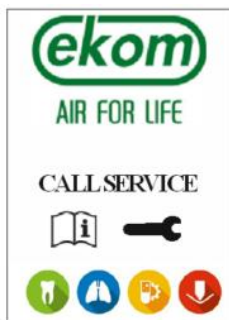


- Это предупреждение появляется только на осушителях, оснащенных датчиками температуры конденсации
- В случае обнаружения высокой температуры конденсации ($> -20\text{ °C}$ или $> -40\text{ °C}$, в зависимости от версии осушителя) на экране появляется выделенное красным цветом предупреждение **Warning!** (Предупреждение!). Одновременно с этим клетка текущей температуры конденсации под давлением загорается красным цветом.
- Предупреждение отображается на экране до тех пор, пока сохраняется аварийная ситуация.
- Список предупреждений сохраняется в журнале предупреждений (Warning log).
- Осушитель работает неправильно или используется в нерекомендованных условиях эксплуатации, компрессор должен быть отключен.



После первого запуска компрессору может потребоваться до 50 часов, чтобы достичь желаемой точки росы. В течение этого времени предупреждение о высокой точке росы не отображается. Если осушитель не может достичь заданной точки росы, обратитесь к обслуживающему персоналу.

22.4. Экран Call Service («Вызов специалиста по техническому обслуживанию»)



- При появлении уведомления или предупреждения экран Call Service («Вызов специалиста по техническому обслуживанию») чередуется с главным окном.

ТЕХНИЧЕСКОЕ ОБСЛУЖИВАНИЕ

23. ТЕХНИЧЕСКОЕ ОБСЛУЖИВАНИЕ



Оператор должен проводить испытание устройства не реже одного раза в 24 месяца (по стандарту EN 62353) или с периодичностью, указанной в действующих местных нормативных актах. Результаты испытаний (например, в соответствии с приложением G стандарта EN 62353), а также методы исследования должны быть задокументированы в письменном виде.

Оборудование спроектировано и произведено таким образом, чтобы свести техническое обслуживание к минимуму. Чтобы обеспечить надлежащую и надежную работу компрессора, необходимо выполнить описанные ниже работы.



Опасность несанкционированного вмешательства.

Ремонтные работы, выходящие за рамки стандартного технического обслуживания (см. Раздел 23.1), должен осуществлять только квалифицированный технический специалист (организация, уполномоченная производителем) или представитель производителя.

Работы по стандартному техническому обслуживанию (см. Раздел 23.1) должен осуществлять только обученный персонал оператора.

Используйте только утвержденные производителем запасные части и принадлежности.



Опасность травмирования персонала или повреждения оборудования.

Прежде чем приступать к техническому обслуживанию компрессора:

- проверьте, можно ли отключить компрессор от соответствующего устройства-потребителя, чтобы исключить риск травмирования лиц, использующих это устройство, и избежать материального ущерба;
- выключите компрессор;
- отключите его от электрической сети, вынув вилку из розетки;
- стравите давление из ресивера.



Стравливание давления представляет опасность травмирования.

При стравливании давления из линии сжатого воздуха (ресивера) необходимо защищать глаза, например защитными очками.



Опасность получения ожогов.

Во время работы компрессора или непосредственно после ее завершения определенные части воздушного насоса, пневмосистемы компрессора, детали осушителя и соединительные шланги между компрессором и осушителем могут быть горячими — не прикасайтесь к этим элементам.



Если в процессе обслуживания заземляющий контакт был отсоединен, подсоедините его обратно по окончании работ.

- Для любых работ по техобслуживанию или ремонту компрессор можно извлечь из шкафа, вытянув его оттуда (при помощи роликов, на расстояние, на которое позволяет его вытянуть длина шнура между компрессором и шкафом). См. также главу 23. После этого можно провести необходимые работы по обслуживанию или ремонту.
- Если отсоединить шнур, связывающий компрессор и шкаф (вынуть вилку из розетки, глава 13.2), компрессор не будет работать. Чтобы вернуть компрессор в рабочее состояние, следуйте инструкциям в главе 13.2, 23.8 Или 23.9.

23.1. Периодичность технического обслуживания

Интервал	Исполнитель				Оператор				Квалифицированный технический специалист									
	Комплект запчастей	Раздел	24 000 ч	20 000 ч	16 000 ч	12 000 ч	10 000 ч	8 000 ч	6 000 ч	4 000 ч	2 000 ч	Раз в 6 лет	Раз в 4 года	Раз в 2 года	Раз в год	Раз в неделю	Раз в день	
Эксплуатационная проверка изделия	-	23.2															x	x
Слив конденсата из воздухоборника (при высокой относительной влажности - Освобождение резервуара	-	23.5															x	x
Слив конденсата из воздухоборника (при нормальной относительной влажности)	-	23.5														x		
Функциональная проверка изделия	-	9														x		
Проверка соединений на утечки и осмотр устройства	-	23.3													x			
Проверка электрических соединений	-	23.4													x			
Проверка охладителя и вентилятора	-	23.11													x			
Проверка предохранительного клапана	-	23.6													x			
Замена входного фильтра и фильтра предварительной очистки 4VR ^{a)}	025200139-000 025200150-000	23.7																x

a) Данные указаны в часах. Если же такие данные недоступны, время будет указано в годах
 b) После каждой неполадки осушителя проверьте действие предохранительного клапана осушителя
 c) в зависимости от того, что наступит ранее: 2 года / 10000 часов
 d) в зависимости от того, что наступит ранее: 6 лет / 24 000 часов

Интервал	Исполнитель	Квалифицированный технический специалист				
		Комплект запчастей	603022493-000	603022485-000	069000317-000	025300117-000
Раздел	23.12	См. руководство по сервисному обслуживанию				23
24 000 ч					x	
20 000 ч		x	x			
16 000 ч				x		
12000 ч						
10000 ч		x	x			
8000 ч						
6000 ч						
4000 ч						
2000 ч						
Раз в 6 лет					x	
Раз в 4 года				x		
Раз в 2 года	x	x	x			x
Раз в год						
Раз в неделю						
Раз в день						
	Калибровка датчика точки конденсации					
	Замена кассет с адсорбентом Осушитель AD 280 ^{с)}					
	Замена кассет с адсорбентом Осушитель AD 500 ^{с)}					
	Замена шарика логического клапана осушителя					
	Замена электромагнитного клапана осушителя ^{д)}					
	Проведение повторных испытаний в соответствии со стандартом EN 62353					

- а) Данные указаны в часах. Если же такие данные недоступны, время будет указано в годах
 б) После каждой неполадки осушителя проверьте действие предохранительного клапана осушителя
 в) в зависимости от того, что наступит ранее: 2 года / 10000 часов
 д) в зависимости от того, что наступит ранее: 6 лет / 24 000 часов

23.2. Эксплуатационные проверки

- Проверьте состояние узлов — они должны нормально функционировать без излишних вибрации и шума. В случае выявления проблемы устраните ее или обратитесь к обслуживающему персоналу.
- Визуально осмотрите вентиляторы — они должны работать вместе с узлами. В случае выявления проблемы устраните ее или обратитесь к обслуживающему персоналу.
- Проверьте силовую кабель и пневматические шланги на предмет повреждений. Замените поврежденные компоненты или обратитесь к обслуживающему персоналу.
- Проверьте температуру окружающей среды — она должна быть ниже предельного значения (40 °C). В противном случае охладите помещение.
- Для компрессора с осушителем: открутите крышку на резервуаре для сбора конденсата и слейте конденсат.
- Если потребуется, на экране дисплея проверьте показания индикатора эксплуатации и расписание ТО.
- Проверьте условия эксплуатации оборудования (см. Раздел 23.4).

23.3. Проверка соединений для сжатого воздуха на предмет утечки и осмотр оборудования

Проверка на наличие утечки

- Проверьте герметичность линий подачи сжатого воздуха при работе, когда компрессор подает давление.
- Чтобы проверить все соединения на предмет утечки, воспользуйтесь соответствующим анализатором или мыльной водой. В случае выявления утечки затяните соответствующие соединения или поменяйте в них уплотнение.

Проверка оборудования

- Проверьте узел компрессора на предмет нормальной работы и уровня шума.
- Проверьте работу вентиляторов: вентиляторы должны работать в течение определенных рабочих циклов компрессора.
- Проверьте работу температурного переключателя (B2): разогрейте температурный переключатель до уровня выше 40 °C (например, с помощью теплового фена), стараясь не расплавить пластиковые элементы вокруг него. Если компрессор подсоединен к источнику питания, вентилятор E1,E3 запустится, как только температура достигнет отметки в 40 °C.
- Проверьте состояние фильтра: фильтры должны быть целыми и достаточно чистыми.
- Проверьте состояние самого агрегата и убедитесь, что картер не загрязнен изнутри, а коленчатый вал не люфтит.
- При выявлении любых неполадок замените все дефектные части.
- В случае необходимости замените дефектные элементы.
- Проверьте электромагнитные клапаны в модуле клапанов — они должны циклически переключаться между камерами в соответствии с описанием работы.
- Проверьте условия эксплуатации оборудования (см. Раздел 23.4).

23.4. Проверка электрических соединений



Опасность поражения электрическим током.

Проверку электрических соединений необходимо выполнять при отключенном питании.

- Проверьте механическую работу основного переключателя.
- Убедитесь, что силовой кабель и подсоединенная проводка не повреждены.
- Визуально осмотрите соединение отдельных кабелей с клеммной колодкой.
- Осмотрите все винтовые зажимы на проводнике общего заземления желто-зеленого цвета.

23.5. Слив конденсата



При переполнении резервуара возникает опасность поскользнуться на мокром полу.

Регулярно сливайте жидкость из резервуара сбора конденсата.

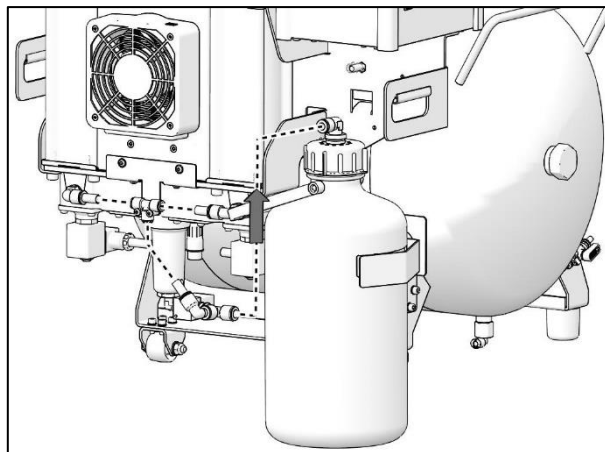


Выключайте компрессор перед каждым сливом жидкости из резервуара!

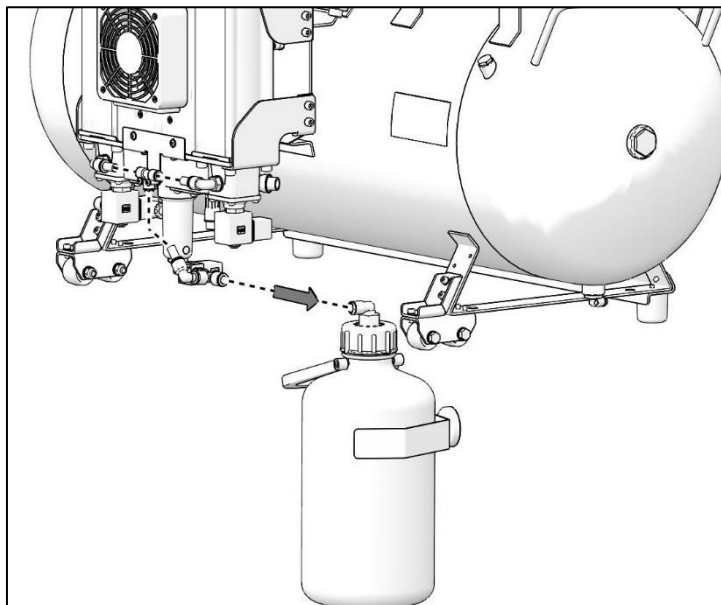
Конденсат из компрессоров с осушителями воздуха автоматически сливается в соответствующий резервуар.

- Отслеживайте уровень в резервуаре, руководствуясь отметками (в зависимости от объема резервуара), и сливайте конденсат не реже одного раза в день.

Рис. 24: Проверка резервуара для сбора конденсата



DK50 4VR/50/M



DK50 2x4VR/110/M



Прежде чем приступить к любым проверкам, выполните указанные ниже действия:

- Компрессоры со шкафом: отпирите дверной замок и откройте дверцу шкафа.

23.6. Проверка предохранительного клапана

- Поверните винт (2) предохранительного клапана (1) на несколько оборотов влево, пока воздух не начнет выходить через клапан.
- Стравливайте воздух через предохранительный клапан лишь несколько секунд.
- Закройте клапан, повернув винт (2) вправо до упора.



Рис. 25: Проверка предохранительного клапана



Повреждение предохранительного клапана может привести к повышению давления до опасных уровней.

Никогда не используйте предохранительный клапан для сброса давления в ресивере. Это может повредить предохранительный клапан. Максимально допустимое давление для клапана настроено производителем.

Регулировка запрещена!



Сбрасываемый сжатый воздух может нанести травму.

При проверке предохранительного клапана следует использовать защитные очки.

23.7. Замена входного фильтра и фильтра предварительной очистки

Замените входной фильтр (1), расположенный под крышкой картера компрессора

Замена входного фильтра:

- Рукой снимите резиновую заглушку (2).
- Извлеките загрязненный входной фильтр (1).
- Вставьте новый фильтр и установите резиновую заглушку.

Замена фильтра предварительной очистки:

- Рукой извлеките фильтр (3) предварительной очистки.
- Замените его новым фильтром и установите его на место.

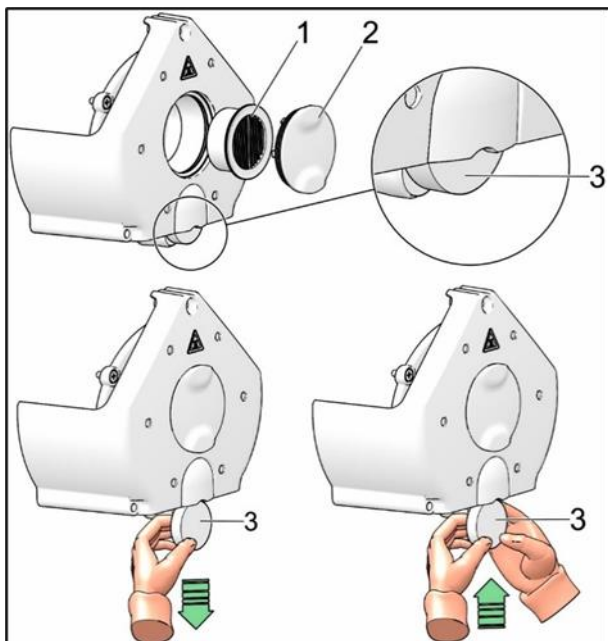


Рис. 26: Замена входного фильтра и фильтра предварительной очистки

23.8. Процедура подключения компрессора, отсоединенного от шкафа



Перед любым техническим обслуживанием или ремонтом компрессор необходимо выключить и отсоединить от сети (вытащить сетевой штепсель из розетки).

Для правильной работы компрессора (без шкафа) в клеммной колодке обязательно должна быть установлена перемычка (Рис. 27 поз С, D, Рис. 28 поз D). Она заменяет переключатель на шкафу.



Если в клеммной колодке компрессора (отсоединенного от шкафа) нет перемычки, компрессор работать не будет!

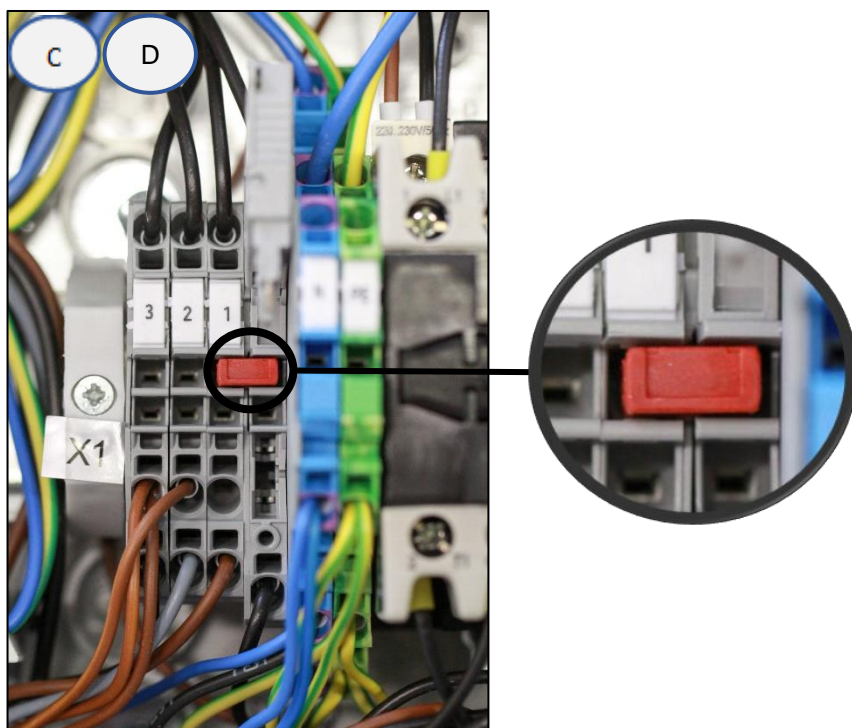
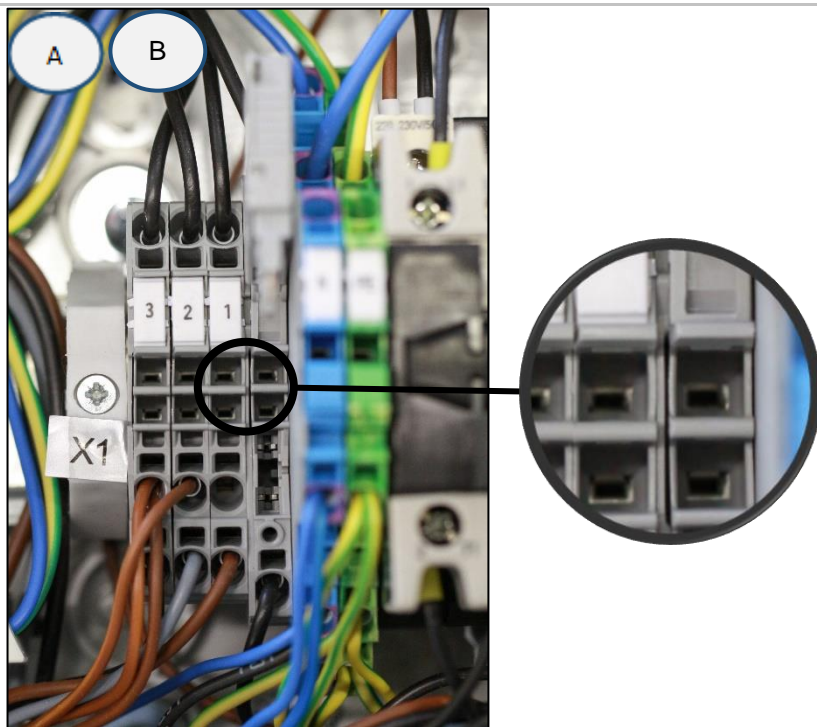
Если отсоединить шнур, соединяющий компрессор и шкаф (вынуть вилку из розетки), и извлечь компрессор из шкафа, он не будет работать. По этой причине необходимо сначала создать соединение в клеммной колодке при помощи перемычки (заменив им функцию автоматического выключателя) (Рис. 27 поз А, В, Рис. 28 поз А).

ПРОЦЕСС:

Установка перемычки (процесс А-В-С-Д)

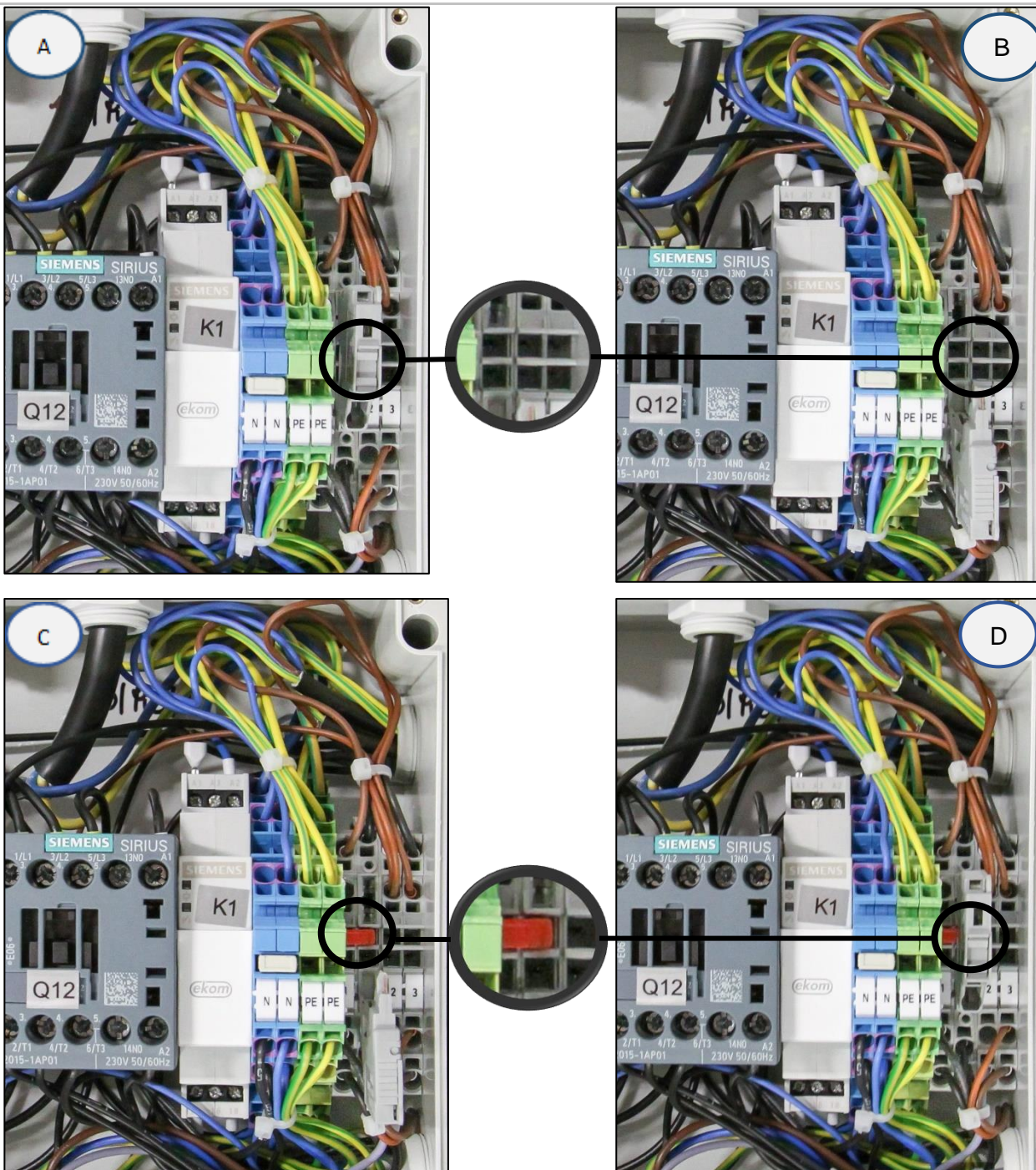
- Отключите изделие от электрической сети, вынув вилку из розетки.
- Снимите крышку электрической панели (на компрессоре).
- Перемычка не установлена в клеммную колодку – А.
- Поднимите крышку гнезда для предохранителя – В.
- Вставьте перемычку в клеммную колодку – С.
- Закройте крышку гнезда для предохранителя – Д.
- Установите на место крышку электрической панели.
- Подключите устройство к электросети.
- Запустите компрессор с помощью выключателя на реле давления.

Рис. 27: DK50 4VR/50/M



400 B

Рис. 28: DK50 2x4VR/110/M



400 В

23.9. Процедура подключения компрессора к новому шкафу



Перед любым техническим обслуживанием или ремонтом компрессор необходимо выключить и отсоединить от сети (вытащить сетевой штепсель из розетки).

Для правильной работы компрессора, установленного в шкафу, требуется, чтобы в клеммную колодку не была вставлена перемычка (Рис. 27 поз. А,В, Рис. 28 поз. А). Переключатель на шкафу включает и выключает все изделие, в том числе компрессор.



Если в клеммной колодке компрессора, подключенного к шкафу, установлена перемычка, выключатель в шкафу компрессора работать не будет!

Если нужно подключить новый шкаф к компрессору, который до этого работал самостоятельно (без шкафа), необходимо отключить соединение в клеммной колодке компрессора с помощью описанных ниже действий (Рис. 27, Рис. 28). (См. также главу 13.1 и 13.2).

ПРОЦЕСС:

Удаление перемычки (процесс D-C-B-A)

- Отключите изделие от электрической сети, вынув вилку из розетки.
- Снимите крышку электрической панели (на компрессоре).
- Перемычка установлена в клеммную колодку – D
- Поднимите крышку гнезда для предохранителя – C
- Удалите перемычку из клеммной колодки – B
- Закройте крышку гнезда для предохранителя – A
- Установите на место крышку электрической панели.
- Вставьте компрессор в шкаф.
- Подключите шкаф к компрессору, вставив шнур питания со штекером в розетку (Рис. 13).
- Подключите разъем к дисплею на передней двери шкафа.
- Подключите устройство к электросети.
- Запустите компрессор с помощью выключателя на реле давления и выключателя (4) на шкафу (Рис. 23).

Компрессор с распределительной секцией – при работе в составе шкафа **не должно быть** электрического соединения (Рис. 27 поз. А,В, Рис. 28 поз. А).

Примечание: **В случае использования компрессора без шкафа или в случае проведения технического обслуживания** перемычку, не установленную в клеммную колодку, следует держать в установленном месте возле электрической панели.

23.10. Очистка и дезинфекция внешних поверхностей изделия

Очистите и продезинфицируйте внешние поверхности при помощи химически нейтральных продуктов.



Использование агрессивных чистящих продуктов и дезинфицирующих веществ, содержащих спирт и хлориды, может привести к повреждению или изменению цвета поверхности.

23.11. Проверка охладителя и вентилятора

Чтобы обеспечить эффективное осушение, необходимо содержать в чистоте оборудование, особенно вентилятор компрессора, вентилятор охладителя и охладитель. Удаляйте пыль с поверхности вентиляторов и ребер охладителя пылесосом или продувайте их сжатым воздухом.

23.12. Калибровка датчика точки конденсации

Если компрессоры оснащены датчиком точки конденсации, рекомендуется калибровать этот датчик раз в два года. Калибровка выполняется изготовителем (Vaisala) и предварительно заказывается через веб-сайт.

Процесс заказа калибровки датчика:

- Перейдите на веб-сайт www.vaisala.com, в раздел *Услуги (Services)*, и выберите *Услуги калибровки и ремонта (Calibration and repair services)*.
- Затем введите тип датчика (тип датчика: **DMT143**), выберите тип калибровки и выполните предложенные инструкции.
- После снятия датчика точки росы место, где был установлен датчик, должно быть перекрыто пробкой и загерметизировано герметиком (применяется к компрессорам DK50 4VR/50/M).

24. ХРАНЕНИЕ

Если компрессор не будет использоваться в течение продолжительного времени, слейте весь конденсат из ресивера. Затем включите компрессор на 10 минут, оставив сливной кран открытым. Выключите компрессор с помощью выключателя (2) на реле давления (1) (Рис. 23), закройте сливной клапан и отсоедините устройство от электросети.

25. УТИЛИЗАЦИЯ ОБОРУДОВАНИЯ

- Отключите оборудование от электросети.
- Сбросьте давление воздуха в напорном резервуаре, открыв сливной клапан.
- Утилизируйте оборудование согласно принятым природоохранным нормам.
- Для этого обратитесь в специализированную компанию, занимающуюся сортировкой и утилизацией отходов.
- Отработанные компоненты не должны оказывать отрицательного влияния на окружающую среду.

СРЕДСТВА И МЕТОДЫ УСТРАНЕНИЯ ПРОБЛЕМ



Опасность поражения электрическим током.

Прежде чем вмешиваться в работу оборудования, отключите его от электросети (вытяните вилку из розетки).



Работа с пневматическими компонентами, находящимися под давлением, представляет опасность травмирования.

Прежде чем вмешиваться в работу оборудования, стравите давление в ресивере и системе сжатого воздуха до нуля.



К работам по устранению неисправностей следует допускать только квалифицированных специалистов по техническому обслуживанию.



Повреждение предохранительного клапана может привести к повышению давления до опасного уровня.

Запрещается регулировать предохранительный клапан.

Проблема	Возможная причина	Решение
Компрессор не включается	Нет напряжения на реле давления	Проверьте напряжение в розетке
		Проверьте прерыватель электрической цепи — он должен быть установлен в положение «I» (ВКЛ.)
		Проводник отсоединен от клеммы — ремонт
		Проверьте электрический шнур и замените его, если он неисправен
	Повреждена обмотка двигателя, неисправна тепловая защита	Замените двигатель или обмотку
	Выход конденсатора из строя	Замените конденсатор
Компрессор включается часто	Заклинило поршень или другую вращающуюся деталь	Замените поврежденные компоненты
	Не срабатывает реле давления	Проверьте работу реле давления
	Утечка воздуха из пневматической системы	Проверьте пневматическую систему — уплотните негерметичные соединения
	Утечка в обратном клапане (SV)	Прочистите обратный клапан, замените уплотнения, замените обратный клапан
Низкое давление в ресивере (при непрерывной)	В напорном резервуаре большой объем жидкого конденсата	Слейте сконденсировавшуюся жидкость
	Низкая производительность компрессора	Проверьте время заполнения ресивера
	Высокий расход сжатого воздуха в технологическом оборудовании	Снизьте потребление воздуха Воспользуйтесь компрессором с большей производительностью

работе компрессора)	Утечка из пневматической системы	Проверьте пневматическую систему — уплотните негерметичные соединения
	Низкая производительность насоса	Почистите или замените насос
	Неисправность насоса	Почистите или замените насос
	Неисправность осушителя	Замените осушитель
Длительная работа компрессора	Утечка воздуха из пневматической системы	Проверьте пневматическую систему — уплотните негерметичные соединения
	Изношено поршневое кольцо	Замените изношенное поршневое кольцо
	Загрязнен входной фильтр	Замените загрязненный фильтр новым
	Неправильная работа электромагнитного клапана	Отремонтируйте или замените вентилятор или катушку
Компрессор шумит (стучит, издает металлические звуки)	Поврежден поршневой подшипник, шатун или подшипник двигателя	Замените поврежденный подшипник
	Ослаблен (сломан) демпфирующий элемент (пружина)	Замените поврежденную пружину
Осушитель не осушает сжатый воздух (наличие водного конденсата в воздухе) *	Неисправен вентилятор охладителя	Замените вентилятор Проверьте источник питания
	Поврежденный осушитель	Замените осушитель
	Неисправна система автоматического слива конденсата	Выполните очистку или замену
Ухудшение производительности осушителя — высокое давление точки конденсации (конденсированная вода в воздухе)	Низкое рабочее давление	Обеспечьте уменьшение расхода воздуха, проверьте все выходы источника сжатого воздуха, устраните любые утечки в распределительной системе
	Не работает электромагнитный клапан регенерации	Проверьте работу катушки — замените ее в случае повреждения
		Проверьте состояние клапана — если проблема сохраняется, очистите или замените клапан
	Засорена форсунка для регенерационного воздуха	Очистите или замените форсунку (см. обслуживание изделия).
	Не работает охлаждающий вентилятор	Проверьте источник питания вентилятора Замените поврежденный вентилятор
	Загрязненный охладитель	Выполните осмотр охладителя, осуществите очистку при необходимости
Засорение шумоподавителя на выходе регенерационного клапана	Проверьте состояние шумоподавителей. Очистите или замените шумоподавитель в случае его существенного загрязнения или слишком	

		высокого сопротивления потоку.
Осушитель производит сильный шум во время работы	Поврежден вентилятор	Замените поврежденный вентилятор
	Поврежден глушитель	Замените глушитель
	Утечка воздуха через предохранительный клапан на входе осушителя	Проверьте подключение осушителя к сети питания, все его соединения, работу осушителя, его рабочее давление. При необходимости замените дефектные компоненты.
Утечка воздуха через предохранительный клапан на входе осушителя	Высокое рабочее давление в источнике сжатого воздуха	Проверьте настройку давления в источнике сжатого воздуха
	Не работает электромагнитный клапан на входе осушителя	Проверьте работу катушки — замените ее в случае повреждения Проверьте состояние клапана — если проблема сохраняется, очистите или замените клапан
	Высокое давление в оборудовании обусловлено засорением фильтров	Проверьте внутренние фильтры и дополнительное оборудование узла фильтрации Очистите или замените засоренные фильтры.

) * Тщательно очистите внутренние поверхности воздушного резервуара и удалите всю конденсированную жидкость после отказа сушилки.

После устранения неисправности осушителя и после его повторной сборки осушитель следует быстро регенерировать, лучше всего при непрерывной работе компрессора под давлением около 1 бар в течение не менее 1 часа; затем проверьте сухость сжатого воздуха.



Проверьте содержание влаги в воздухе, выходящем из ресивера (см. раздел Технические характеристики), чтобы предотвратить повреждение подсоединенного на выходе оборудования.

26. СВЕДЕНИЯ ОБ УСЛУГАХ ПО РЕМОНТУ

Гарантийный и послегарантийный ремонт должен проводить производитель, его представитель или обслуживающий персонал, одобренный поставщиком.

Внимание!

Производитель оставляет за собой право на внесение изменений в оборудование без уведомления. Любые внесенные изменения не повлияют на функциональные свойства оборудования.

SPIS TREŚCI

WAŻNE INFORMACJE	297
1. ZGODNOŚĆ Z WYMAGANIAMI DYREKTYW UNII EUROPEJSKIEJ	297
2. PRZEZNACZENIE	297
3. PRZECIWWSKAZANIA I EFEKTY UBOCZNE	297
4. SYMBOLE	297
5. UWAGI	298
6. WARUNKI PRZECHOWYWANIA I TRANSPORTU	300
OPIS PRODUKTU	301
7. WARIANTY	301
8. AKCESORIA	302
9. FUNKCJA PRODUKTU	303
DANE TECHNICZNE	310
INSTALACJA	322
10. WARUNKI INSTALACJI	322
11. MONTAŻ SPREŻARKI	322
12. POŁĄCZENIA PNEUMATYCZNE	327
13. POŁĄCZENIE ELEKTRYCZNE	329
14. USTAWIENIE SPREŻARKI W OBUDOWIE	330
15. PRZYGOTOWYWANIE DO UŻYTKU	337
16. SCHEMATY PNEUMATYCZNE I ELEKTRYCZNE	338
OBSŁUGA	345
17. WŁĄCZANIE SPREŻARKI	346
18. WYŁĄCZANIE SPREŻARKI	346
OSUSZACZ AD	347
19. ZASADA DZIAŁANIA.....	347
20. INTERFEJS UŻYTKOWNIKA / USTAWIENIA	348
21. EKRANY GŁÓWNE.....	350
22. OZNACZENIA STANÓW KONSERWACJI I ALARMU	352
KONSERWACJA PRODUKTU	355
23. KONSERWACJA PRODUKTU	355
24. WYŁĄCZENIE NA DŁUGI CZAS	365
25. UTYLIZACJA URZĄDZENIA	365
ROZWIĄZYWANIE PROBLEMÓW	366
26. USŁUGA NAPRAWY	368
ZAŁĄCZNIK	515
26. DOKUMENTACJA INSTALACJI.....	519

WAŻNE INFORMACJE**1. ZGODNOŚĆ Z WYMAGANIAMI DYREKTYW UNII EUROPEJSKIEJ**

Niniejszy produkt spełnia wymagania Rozporządzenia (UE) w sprawie wyrobów medycznych (MDR 2017/745) i jest bezpieczny do użytku zgodnie z przeznaczeniem, jeśli przestrzegane są wszystkie instrukcje bezpieczeństwa.

2. PRZEZNACZENIE

Sprężarka służy jako źródło czystego, bezolejowego sprężonego powietrza do zasilania aktywnych urządzeń medycznych, w których parametry i właściwości tego sprężonego powietrza spełniają wymagane normy.



Powietrze ze sprężarki nie nadaje się do podłączenia do urządzeń służących do sztucznej wentylacji płuc.

Jakiegokolwiek użycie tego produktu niezgodnie z przeznaczeniem jest użyciem nieprawidłowym. Producent nie ponosi odpowiedzialności za jakiegokolwiek szkody lub uszczerbki na zdrowiu wynikające z niewłaściwego użycia.

3. PRZECIWWSKAZANIA I EFEKTY UBOCZNE

Brak znanych przeciwwskazań i efektów ubocznych.

4. SYMBOLE

W instrukcji obsługi oraz na urządzeniu i opakowaniu znajdują się następujące symbole:



Ogólne ostrzeżenie



Ostrzeżenie — ryzyko porażenia prądem elektrycznym



Ostrzeżenie — sprężarka sterowana automatycznie



Ostrzeżenie — gorąca powierzchnia



Ogólna przestroga



Przeczytaj instrukcję obsługi



Odnieś się do instrukcji obsługi








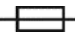







Oznaczenie CE



Wyrób medyczny



Numer seryjny

	Numer części
	Niepowtarzalny kod identyfikacyjny wyrobu
	Autoryzowany przedstawiciel Szwajcarii
	Szwajcarski importer
	Uziemienie ochronne
	Bezpiecznik
	Etykieta na opakowaniu z informacją o sposobie transportu — delikatne
	Etykieta na opakowaniu z informacją o sposobie transportu — tą stroną do góry
	Etykieta na opakowaniu z informacją o sposobie transportu — nie moczyć
	Etykieta na opakowaniu z informacją o sposobie transportu — przedział temperatur
	Etykieta na opakowaniu z informacją o sposobie transportu — ograniczenie składowania w stosie
	Etykieta na opakowaniu — materiał nadający się do recyklingu
	Producent

5. UWAGI

Produkt został zaprojektowany i wyprodukowany tak, aby był bezpieczny dla użytkownika i otoczenia, gdy jest używany w określony sposób. Należy pamiętać o następujących ostrzeżeniach.

5.1. Ogólne ostrzeżenia

PRZED UŻYCIEM URZĄDZENIA NALEŻY DOKŁADNIE PRZECZYTAĆ NINIEJSZĄ INSTRUKCJĘ I ZACHOWAĆ JĄ DO WGLĄDU NA PRZYSZŁOŚĆ!

- Instrukcja obsługi zawiera informacje dotyczące prawidłowej instalacji, eksploatacji i konserwacji produktu. Dokładne zapoznanie się z niniejszą instrukcją dostarczy informacji niezbędnych do prawidłowej obsługi produktu zgodnie z jego przeznaczeniem.
- Oryginalne opakowanie należy zachować na wypadek zwrotu urządzenia. Tylko oryginalne opakowanie zapewnia optymalną ochronę urządzenia podczas transportu. Jeżeli w okresie gwarancyjnym urządzenie będzie trzeba zwrócić, producent nie odpowiada za szkody spowodowane jego nieprawidłowym zapakowaniem.
- Gwarancja nie obejmuje szkód, które powstały w wyniku zastosowania innego wyposażenia niż określił lub zalecił producent.

- Producent ponosi odpowiedzialność za bezpieczeństwo, niezawodność i funkcjonowanie urządzenia tylko wówczas, gdy:
 - instalację, regulację, zmiany, rozszerzenia oraz naprawy wykonuje producent lub usługodawca autoryzowany przez producenta;
 - produkt jest używany zgodnie z instrukcją obsługi.
- Instrukcja obsługi odpowiada konfiguracji produktu i jego zgodności z obowiązującymi normami technicznymi i normami bezpieczeństwa w momencie drukowania. Producent zastrzega sobie wszelkie prawa do ochrony konfiguracji, metod i nazw produktu.
- Tłumaczenie instrukcji obsługi odbywa się zgodnie z najlepszą dostępną wiedzą. W razie wątpliwości należy odnieść się do wersji słowackiej.
- Niniejsza instrukcja obsługi jest oryginalną instrukcją. Tłumaczenie zostało wykonane zgodnie z najlepszą dostępną wiedzą

5.2. Uwagi ogólne dotyczące bezpieczeństwa

Producent zaprojektował i wyprodukował produkt w taki sposób, aby zminimalizować wszelkie zagrożenia przy prawidłowym użytkowaniu produktu zgodnie z przeznaczeniem. Producent uważa za swój obowiązek przedstawienie następujących ogólnych uwag dotyczących bezpieczeństwa.

- Produktu należy używać zgodnie z wszelkimi przepisami i lokalnymi regulacjami obowiązującymi w miejscu użytkowania. Podmiot odpowiedzialny oraz użytkownik odpowiadają za przestrzeganie wszystkich odpowiednich przepisów w celu zapewnienia bezpiecznej pracy.
- Wyłącznie stosowanie oryginalnych części zamiennych gwarantuje bezpieczeństwo personelu obsługującego i bezbłędne działanie samego produktu. Stosować należy tylko wyposażenie oraz części zamienne wymienione w dokumentacji technicznej lub wyraźnie dopuszczone przez producenta.
- Podmiot odpowiedzialny musi zapewnić przed każdym użyciem, że urządzenie działa prawidłowo i bezpiecznie.
- Użytkownik powinien zapoznać się ze sposobem działania urządzenia.
- Urządzenia nie należy używać w środowiskach zagrożonych wybuchem.
- W razie wystąpienia jakichkolwiek problemów związanych z działaniem urządzenia użytkownik jest zobowiązany niezwłocznie powiadomić o tym fakcie dostawcę.
- Każdy poważny wypadek związany z tym urządzeniem powinien zostać zgłoszony producentowi i odpowiednim władzom kraju członkowskiego, który stanowi miejsce stałego pobytu użytkownika i/lub pacjenta

5.3. Uwagi dotyczące ochrony przed prądem elektrycznym

- Urządzenie można podłączyć tylko do prawidłowo zamontowanego gniazda z uziemieniem.
- Przed podłączeniem produktu należy sprawdzić, czy napięcie i częstotliwość sieci wskazane na produkcie odpowiadają parametrom sieci zasilającej.
- Przed rozpoczęciem eksploatacji urządzenia należy sprawdzić, czy podłączone do niego przewody pneumatyczne i elektryczne nie mają uszkodzeń. Uszkodzone przewody pneumatyczne i elektryczne należy natychmiast wymienić.
- W sytuacjach niebezpiecznych lub w przypadku awarii technicznej należy natychmiast odłączyć urządzenie od sieci elektrycznej (wyjąć wtyczkę przewodu zasilającego z gniazda).
- Podczas wszelkich napraw i prac konserwacyjnych należy upewnić się, że:
 - wtyczka sieciowa jest wyciągnięta z gniazda sieciowego,

- ze zbiornika powietrza i przewodów jest spuszczone ciśnienie.
- Produkt powinien być instalowany tylko przez wykwalifikowany personel.

6. WARUNKI PRZECHOWYWANIA I TRANSPORTU

Sprężarka jest przewożona od producenta w opakowaniu transportowym. Chroni ono urządzenie przed uszkodzeniem w trakcie transportu.



Możliwość uszkodzenia części pneumatycznych.

W trakcie transportu w żadnych elementach sprężarki nie może być powietrza. Przed przenoszeniem lub transportem sprężarki należy spuścić powietrze ze zbiornika, wszystkich węży ciśnieniowych oraz należy opróżnić zbiornik kondensatu i separator kondensatu w osuszaczu.



Należy zachować oryginalne opakowanie fabryczne na wypadek, gdyby zaszła konieczność zwrotu urządzenia. Sprężarkę należy transportować w oryginalnym opakowaniu, które zapewnia optymalne warunki ochrony. . Jeśli zajdzie konieczność zwrotu urządzenia w czasie obowiązywania gwarancji, producent nie odpowiada za uszkodzenia spowodowane nieprawidłowym opakowaniem.



Sprężarkę należy transportować w pozycji pionowej i zabezpieczyć pasami.



Podczas transportu i przechowywania chronić sprężarkę przed wilgocią i brudem oraz ekstremalnymi temperaturami. Nie przechowywać w pobliżu lotnych substancji chemicznych.



Jeśli opakowanie będzie niepotrzebne, należy je zutylizować w przyjazny dla środowiska sposób. Karton z opakowania można poddać recyklingowi ze starym papierem.



Przechowywanie lub transport urządzenia w jakichkolwiek innych warunkach niż opisane poniżej jest zabroniony.

6.1. Warunki otoczenia

Produkt można przechowywać i transportować wyłącznie w pojazdach pozbawionych jakichkolwiek śladów lotnych substancji chemicznych w następujących warunkach:

Temperatura

Od -25°C do $+55^{\circ}\text{C}$

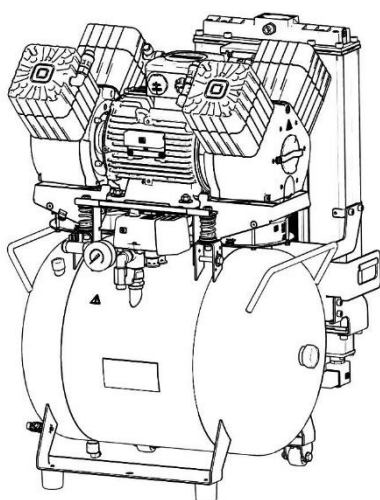
Wilgotność względna

Maks. 90% (bez kondensacji)

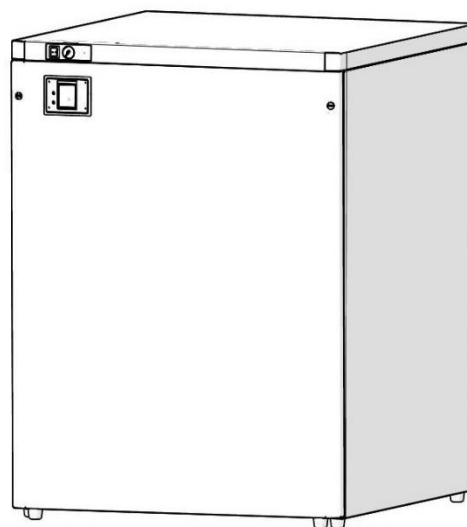
OPIS PRODUKTU**7. WARIANTY**

Sprężarka jest produkowana zgodnie ze swoim przeznaczeniem w następujących wariantach:

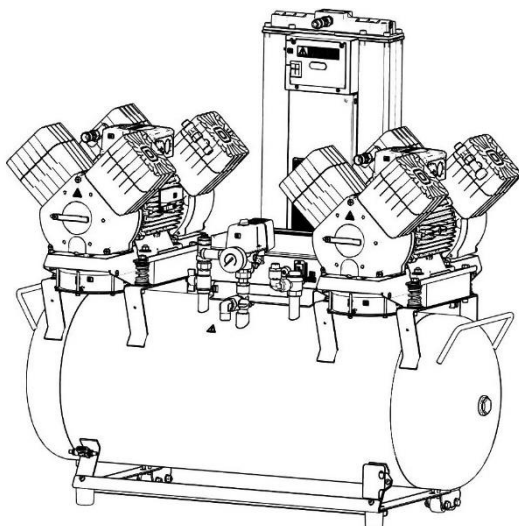
DK50 4VR/50/M	Sprężarka z osuszaczem adsorpcyjnym
DK50 4VR/50 S/M	Sprężarka w obudowie z osuszaczem adsorpcyjnym
Obudowa S50R	Zmniejsza poziom hałasu sprężarki
DK50 2x4VR/110/M	Sprężarka z osuszaczem adsorpcyjnym
DK50 2x4VR/110S/M	Sprężarka w obudowie z osuszaczem adsorpcyjnym
Obudowa S110R	Zmniejsza poziom hałasu sprężarki



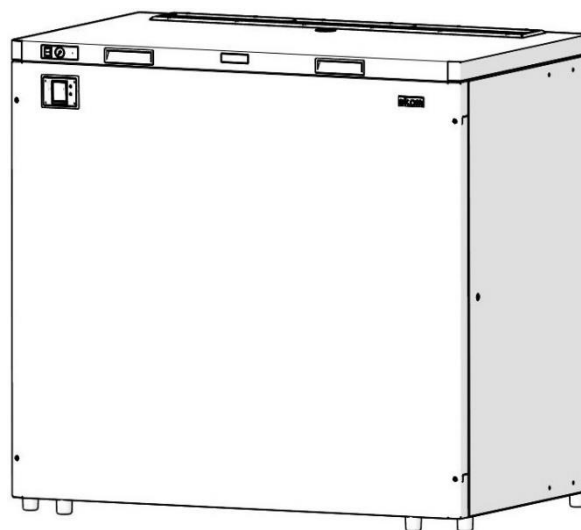
DK50 4VR/50/M



S50R
DK50 4VR/50S/M



DK50 2x4VR/110/M



S110R
DK50 2x4VR/110S/M

8. AKCESORIA

Akcesoria, które nie są standardowo dołączone do urządzenia, należy zamówić osobno.

Zestaw filtrów sprężonego powietrza wylotowego

Sprężarkę można wyposażyć w zestaw filtrów. Zestaw ten można dodatkowo zaopatrzyć w regulator ciśnienia powietrza.



Jeśli wymagany jest inny poziom skuteczności filtracji powietrza, wymóg ten należy uzgodnić z dostawcą i dodać do zamówienia.

Typ	Zastosowanie	Skuteczność filtracji (µm)	Numer części
FS 30F	DK50 4VR/50/M	1	604014119-014
FS 30M		1+0,1	604014119-015
FS 30S		1+0,01	604014119-017
FS 30A		1+0,01+A**	604014119-018*
FS 40F	DK50 2x4VR/110/M	1	604014119-000
FS 40M		1+0,1	604014119-004
FS 40S		1+0,01	604014119-024
FS 40AH		1+AC+HC (0,01)	604014119-005

**) A – submikrofiltr z węglem aktywowanym

*) - zestaw **FS 30A**, w standardowej konfiguracji, nie może być połączony z regulatorem ciśnienia w produktach DK50 4VR/50/M. Jeśli potrzebujesz takiego zestawu (z regulatorem), skontaktuj się ze swoim dostawcą

Regulator do zestawu filtracyjnego

Sprężarka może mieć regulator ciśnienia na wylocie sprężonego powietrza, jeśli określono. Regulator należy wybrać na podstawie zastosowania zestawu filtracyjnego lub osobno. Regulator zapewnia stałe ciśnienie na wylocie.

Typ	Zastosowanie	Numer części
Komplet regulatora (do filtru)	DK50 4VR/50/M	604014130-000
REG12 (osobno)		447000001-088
Komplet regulatora	DK50 2x4VR/110/M	604014125-000
REG15		447000001-243

Uchwyty zestawu filtracyjnego



Do każdego zestawu filtracyjnego należy zamówić odpowiedni uchwyt.

Typ	Zastosowanie	Numer części
Uchwyt do montażu na sprężarce	DK50 4VR/50/M	603014177-000
Uchwyt do montażu na sprężarce	DK50 2x4VR/110/M	604014131-000
Uchwyt do montażu na ścianie		603014120-000

Moduły 3KOM do sterowania wieloma sprężarkami w funkcji Master-Slave

Można zamówić moduł sterujący 3KOM do zarządzania pracą dwóch lub trzech identycznych sprężarek, o tym samym zakresie ciśnienia, w funkcji Master-Slave. W trakcie użytkowania sterownik w module przejmuje funkcję przełączania sprężarki. Moduł sterujący można zamówić w konfiguracjach przedstawionych w poniższej tabeli.

Model sprężarki	Schemat sterowania	Numer katalogowy zestawu montażowego	Wylot powietrza z układu
DK50 4VR/50/M	1+1	603002152-000	G3/4"
DK50 2x4VR/110/M	1+1+1		

Gniazdo wyrównywania potencjałów

Gniazdo to umożliwia wyrównywanie potencjałów

Typ	Zastosowanie	Nazwa	Numer części
POAG-KBT6-EC	DK50 4VR/50S/M	Wtyczka do Gniazda sieciowego	033400075-000
FLEXI-S/POAG-HK6	DK50 2x4VR/110S/M	Przewód (1 m)	034110083-000

9. FUNKCJA PRODUKTU

9.1. Sprężarka z osuszaczem adsorpcyjnym

(Rys. 1, Rys. 2) Agregat sprężarki (1) pobiera powietrze przez filtr wlotowy (8) i poddaje je sprężeniu tłocząc je przez zawór przeciwwrotny (3) do kolektora, skąd przechodzi ono do osuszacza adsorpcyjnego (9) przez wąż połączeniowy. Powietrze trafiające do osuszacza najpierw jest schładzane w zintegrowanej chłodnicy (17), a następnie przechodzi przez separator kondensatu (24) i trafia do aktywnej komory z adsorbentem (19), gdzie zostaje osuszone. Część powietrza trafia do drugiej komory, regeneracyjnej, w której zostaje wykorzystane do usunięcia wilgoci z adsorbentu. Komora aktywna włącza się cyklicznie. Suche powietrze przechodzi przez zawór przeciwwrotny (3) do zbiornika powietrza (2).

* W przypadku sprężarek DK50 4VR/50/M rozdzielacz z zaworem przeciwwrotnym nie jest używany i powietrze jest kierowane bezpośrednio do osuszacza powietrza.

9.2. Obudowa sprężarki

(Rys. 4) Dźwiękoszczelna obudowa stanowi kompaktową osłonę sprężarki, która skutecznie tłumi hałas oraz umożliwia wystarczająco skuteczne chłodzenie powietrza. Jej wygląd pozwala na ustawienie jej w gabinecie dentystycznym jako mebla. Sprężarkę chłodzi wentylator (10) znajdujący się pod jej pompą. Włącza się wraz z silnikiem sprężarki lub po załączeniu przełącznika temperaturowego, gdy temperatura przekroczy 40°C. Po schłodzeniu obudowy do temperatury poniżej 32°C wentylator wyłącza się automatycznie. Wyświetlacz osuszacza (33) znajduje się na przednim panelu obudowy.



Ryzyko przegrzania sprężarki.

Upewnij się, że nic nie zasłania wlotu powietrza chłodzącego do obudowy (znajdującego się w jej dolnej części) ani wylotu ciepłego powietrza z tyłu u góry.

Jeśli sprężarka zostanie ustawiona na miękkiej podłodze, np. dywanie, należy zapewnić przestrzeń między podstawą i podłogą lub obudową i podłogą, aby umożliwić efektywne chłodzenie. W tym celu można na przykład podłożyć twarde podkładki pod nóżki sprężarki.

Opisy rysunków 1-3:

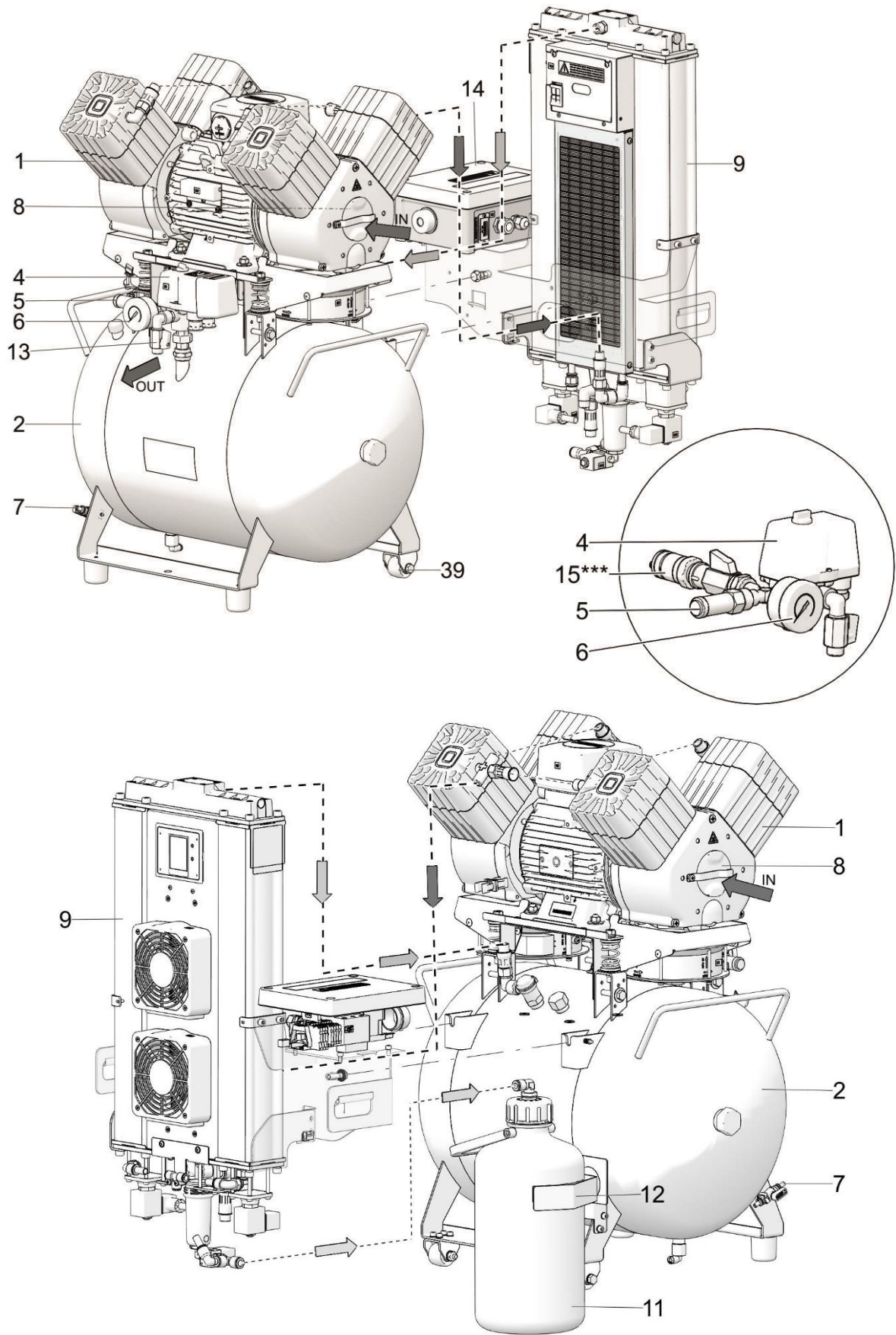
1 Agregat sprężarki	22 Regeneracyjny zawór elektromagnetyczny
2 Zbiornik powietrza	23 Wentylator osuszacza
3 Zawór zwrotny	24 Separator kondensatu
4 Łącznik ciśnieniowy	25 Elektrozwór spustu kondensatu
5 Zawór bezpieczeństwa	26 *Wyświetlacz
6 Ciśnieniomierz	27 Wylot powietrza
7 Zawór spustowy	28 Wentylator obudowy
8 Filtr wlotowy	29 Ciśnieniomierz obudowy
9 Osuszacz adsorpcyjny	30 Przełącznik
10 Wentylator sprężarki	31 Złączka obudowy
11 Naczynie na kondensat	32 Wąż ciśnieniowca
12 Uchwyt magnetyczny	33 Wyświetlacz obudowy
13 Wylot powietrza	34 Sprężyny gazowe obudowy
14 Puszka rozgałęźna	35 Przyrząd do ustawiania sprężarki
15 Czujnik punktu rosy	36 Przewód zasilania
16 Moduł wylotowy	37 **Tuleja
17 Moduł chłodzący	38 Wylot z separatora kondensatu i zaworów regeneracyjnych
18 Panel elektryczny	39 Koła
19 Komora osuszacza	40 Ogranicznik ścienny
20 Zawór wlotowy	41 Usztywnienie łączące
21 Wlot sprężonego powietrza	42 Uchwyt

* Pozycja (26) dotyczy modelu DK50 4VR/50/M, DK50 2x4VR/110/M, bez obudowy. Pozycja (26) w przypadku modelu – DK50 4VR/50 S/M, DK50 2x4VR/110 S/M z obudową to prosta osłona.

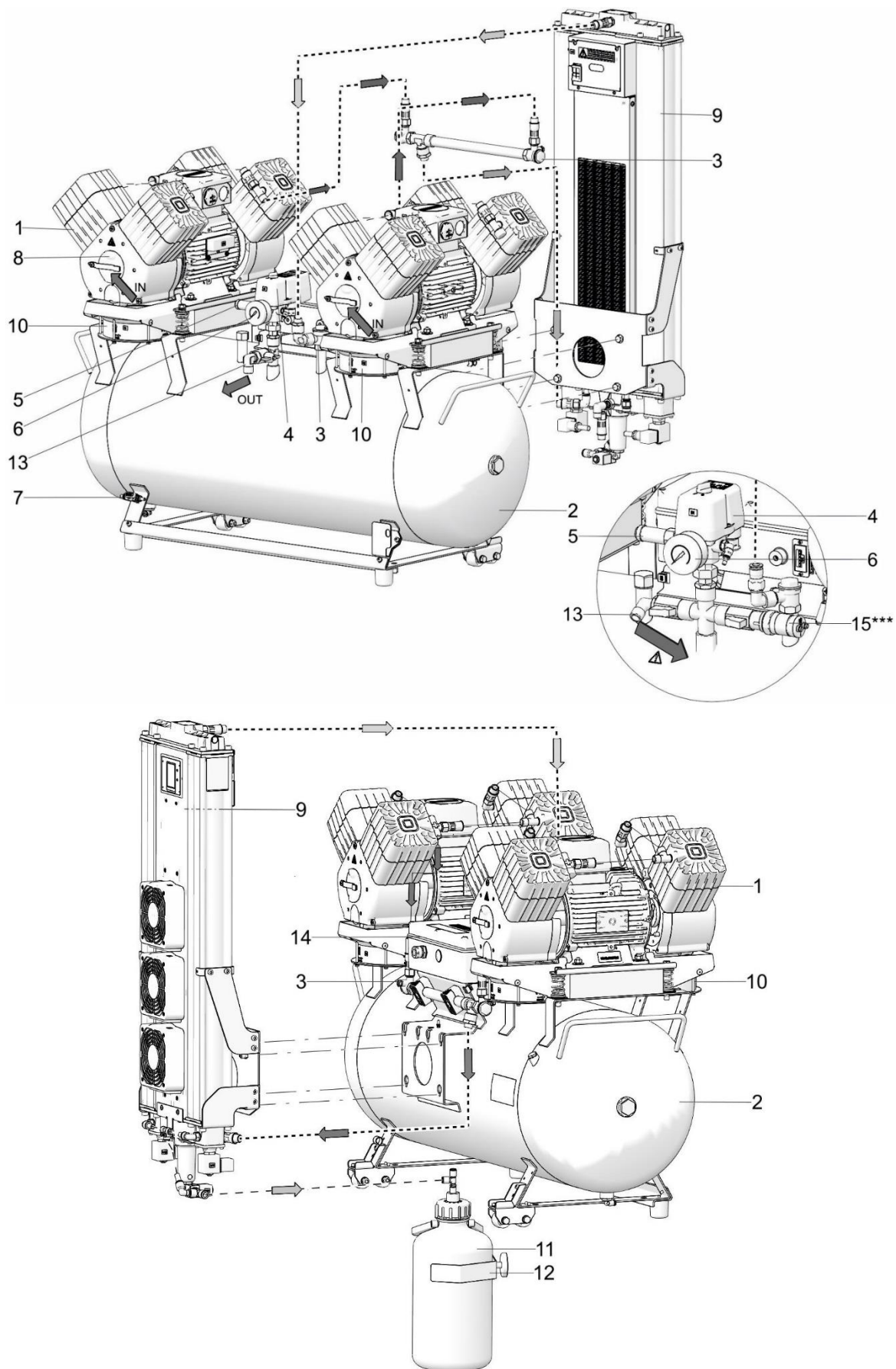
** W przypadku modelu z obudową kabel podłączony do wyświetlacza (33) na przednim panelu obudowy jest poprowadzony przez uniwersalną tuleję (37).

*** Dotyczy modelu z czujnikiem punktu rosy.

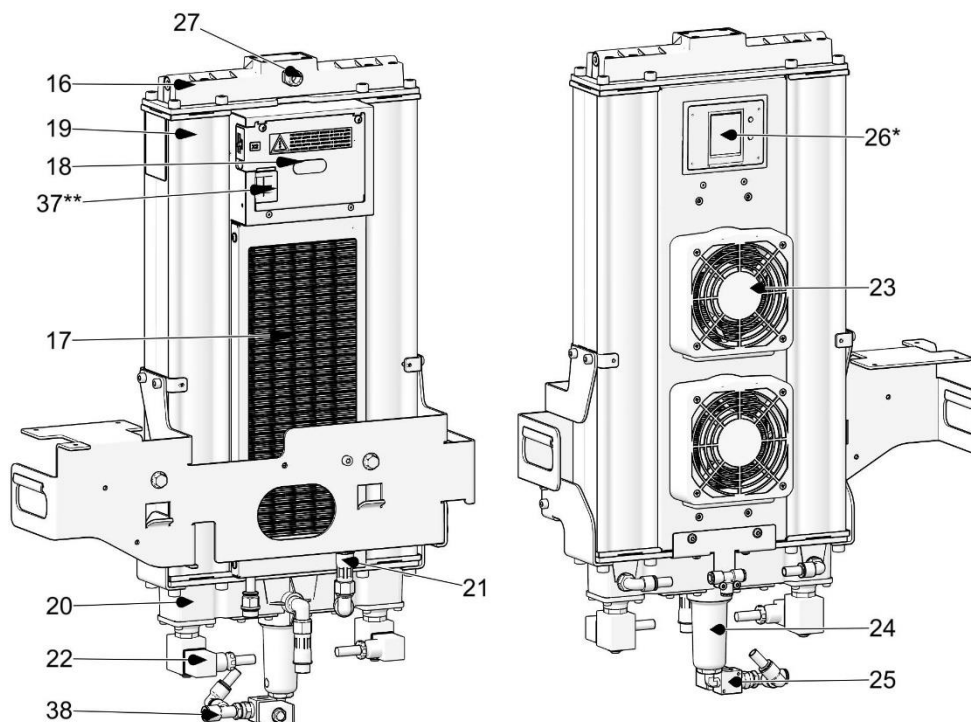
Rys. 1: DK50 4VR/50/M - sprężarka z osuszaczem adsorpcyjnym



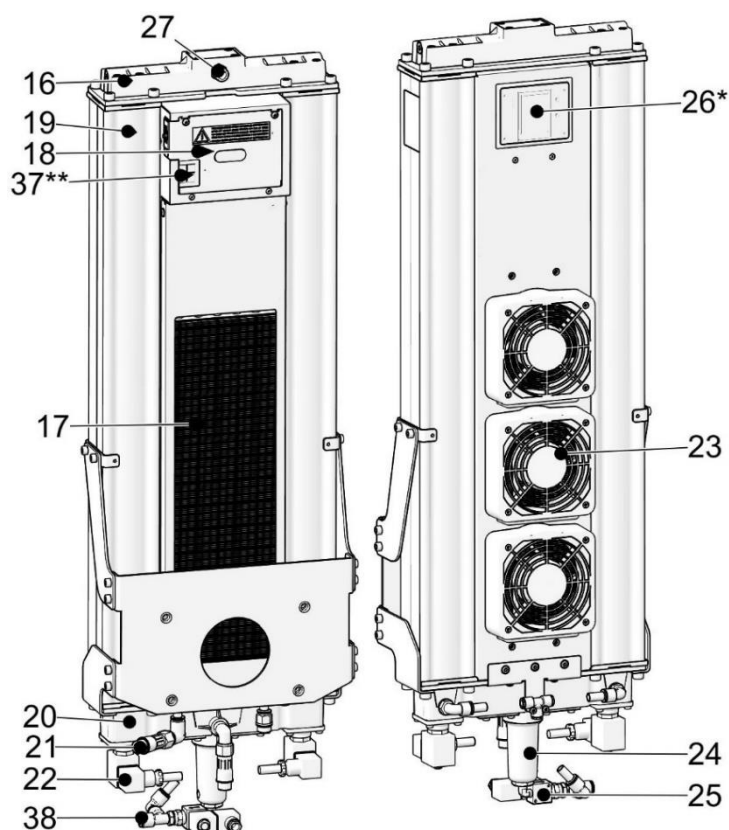
Rys. 2: DK50 2x4VR/110/M - sprężarka z osuszaczem adsorpcyjnym



Rys. 3: Osuszacz adsorpcyjny



ADM 280/50

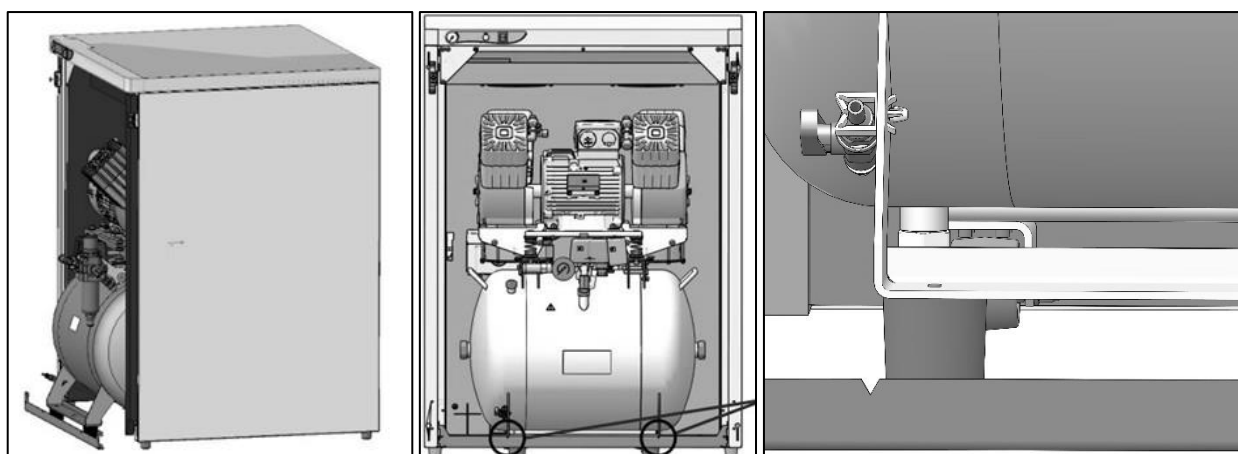
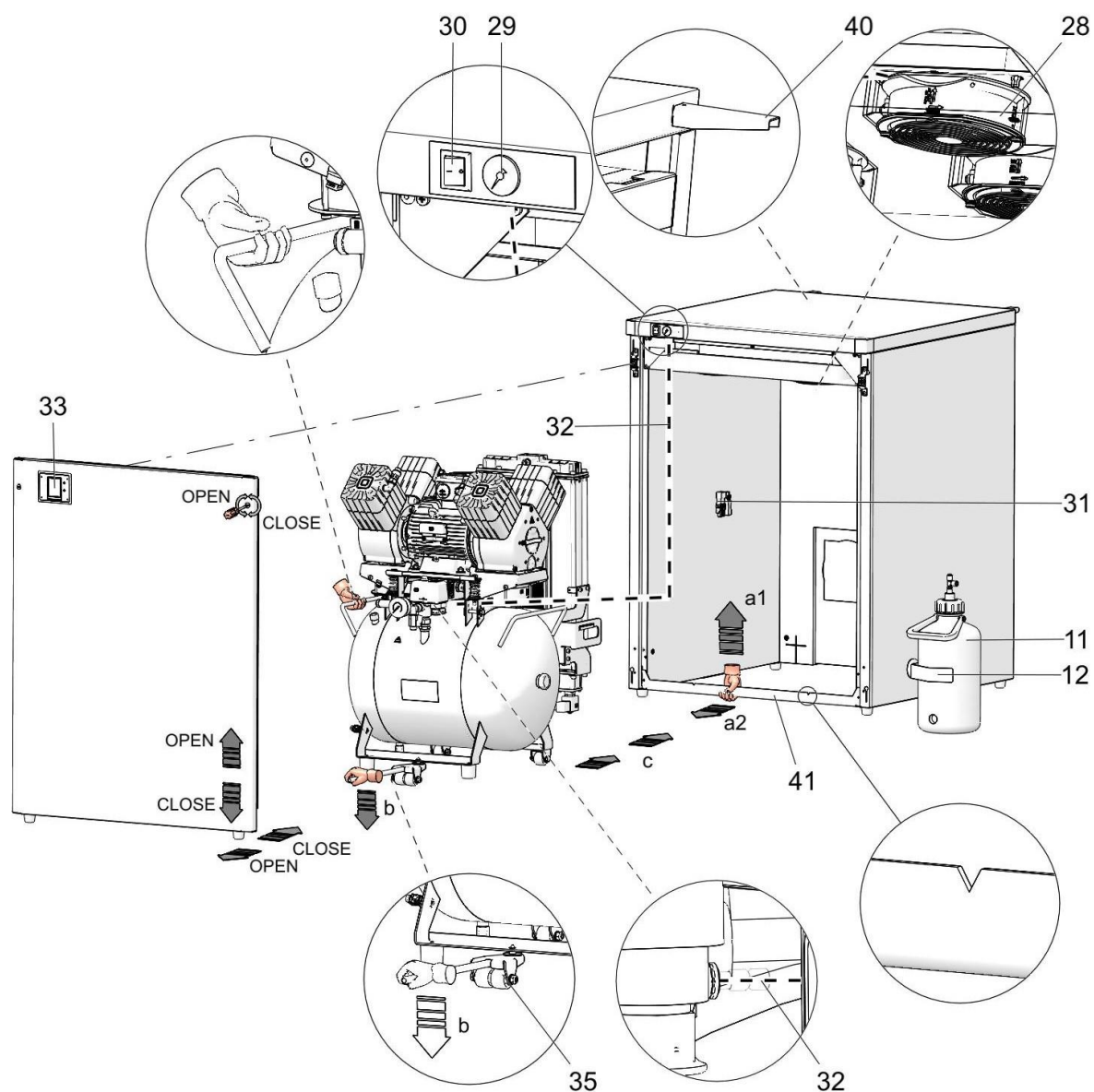


ADM 500/110

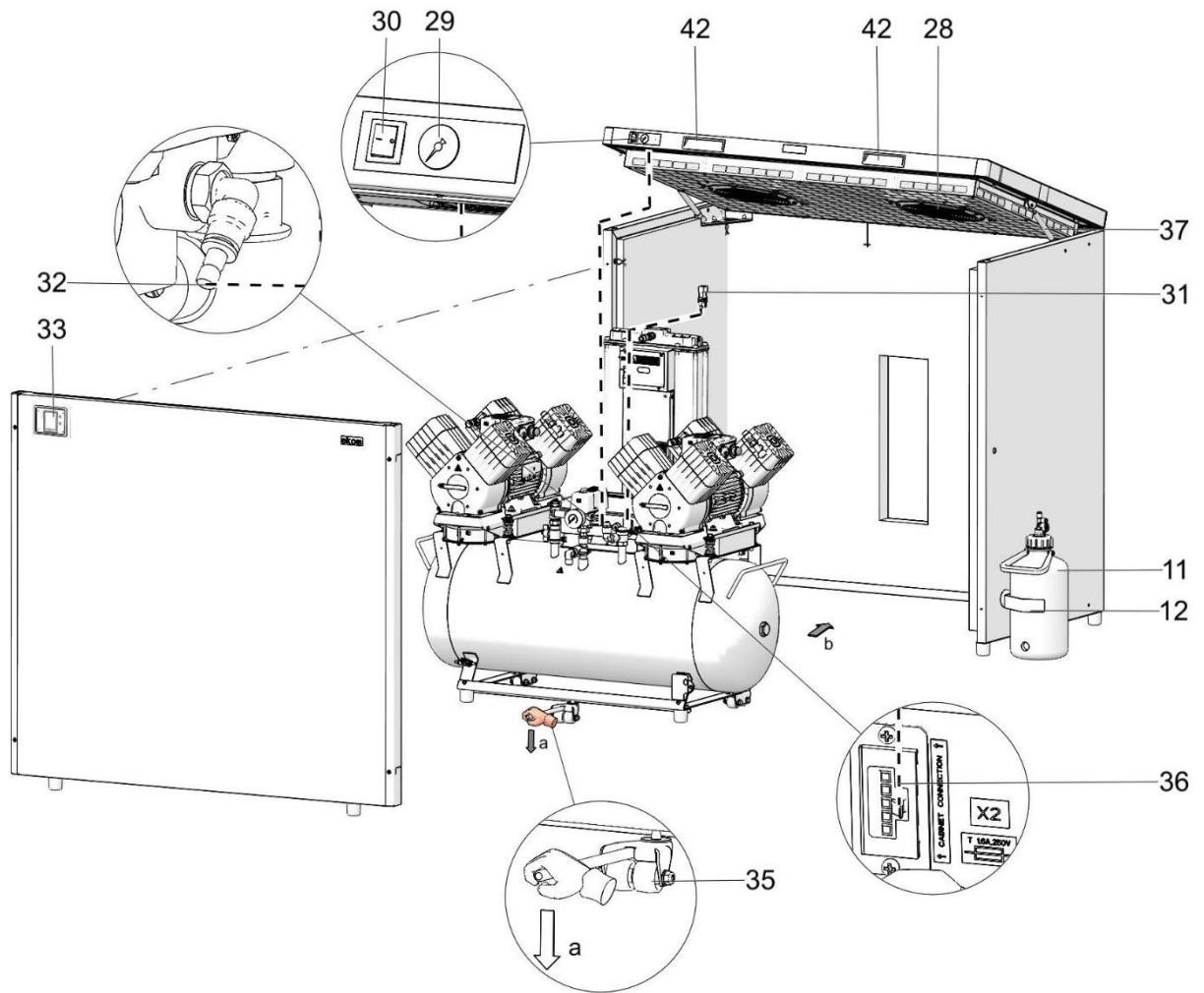
* Pozycja (26) dotyczy modelu DK50 4VR/50/M, DK50 2x4VR/110/M, bez obudowy. Pozycja (26) w przypadku modelu – DK50 4VR/50 S/M, DK50 2x4VR/110 S/M z obudową to prosta osłona.

** W przypadku modelu z obudową kabel podłączony do wyświetlacza (33) na przednim panelu obudowy jest poprowadzony przez uniwersalną tuleję (37).

Rys. 4: Obudowa



A – DK50 4VR/50S/M



B – DK50 2x4VR/110S/M

DANE TECHNICZNE

Sprężarki są przeznaczone do użytku w suchych, wentylowanych i wolnych od kurzu pomieszczeniach w następujących warunkach:

Temperatura Od +5°C do +40°C

Wilgotność względna maks. 70%

Ciśnienie robocze 6 – 8 barów		DK50 4VR/50/M	DK50 4VR/50 S/M
Napięcie nominalne, Częstotliwość ^{a)}	V, Hz	3x400, 50	3x400, 50
Wydajność przy ciśnieniu 6 barów (FAD)	l/min	235	235
Ciśnienie robocze ^{b)}	bary	6,0 – 8,0	6,0 – 8,0
Prąd znamionowy	A	5,4	5,8
Moc silnika	kW	2.2	2.2
Pojemność zbiornika powietrza	l	50	50
Jakość powietrza — filtracja	µm	-	-
Maksymalne ciśnienie robocze zaworu bezpieczeństwa	bary	9,0	9,0
Poziom hałasu przy 5 barach (L _{pA})	dB	≤ 73,5	≤ 56,0
Tryb pracy	%	S1-100	S1-100
Skuteczność suszenia ciśnieniowego punktu rosy przy 7 barach	°C	≤ -20	≤ -20
Alarm dotyczący niskiego ciśnienia osuszacza	bary	< 3	< 3
Alarm dotyczący wysokiego ciśnienia osuszacza	bary	> 9	> 9
Alarm dotyczący wysokiego punktu rosy osuszacza	°C	> -20	> -20
Czas napełniania zbiornika powietrza od 0 do 7 barów	s	85	85
Wymiary (netto) sz x g x w	mm	580x590x815	750x780x1015
Masa netto ^{c)}	kg	95	151
Klasyfikacja wg normy EN 60601-1		Klasa I.	

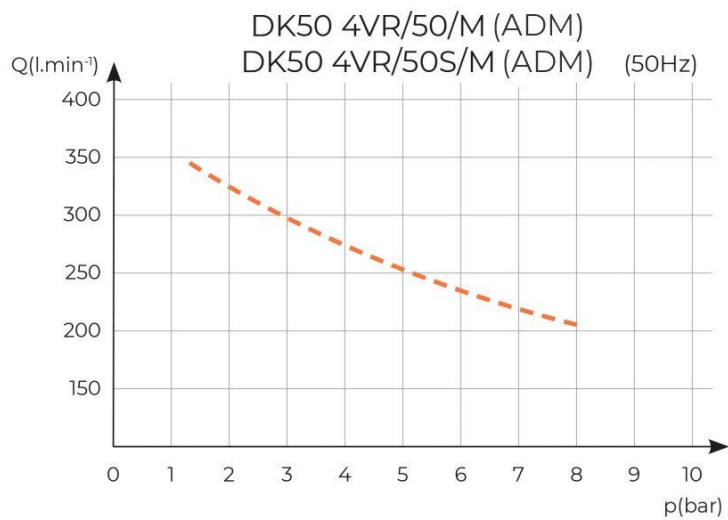
^{a)} W trakcie składania zamówienia należy określić wersję sprężarki

^{b)} Zapytaj dostawcę o inny zakres ciśnienia

^{c)} Waga jest podana tylko orientacyjnie i dotyczy produktu bez akcesoriów

^{d)} Ciśnienie punktu rosy dotyczy temperatur otoczenia poniżej 30°C

Zależność wydajności sprężarki od ciśnienia roboczego



Ciśnienie robocze 6 – 8 barów		DK50 4VR/50/M	DK50 4VR/50 S/M
Napięcie nominalne, Częstotliwość ^{a)}	V, Hz	3x400, 50/60	3x400, 50
Wydajność przy ciśnieniu 6 barów (FAD)	l/min	225	225
Ciśnienie robocze ^{b)}	bary	6,0 – 8,0	6,0 – 8,0
Prąd znamionowy	A	5,4	5,8
Moc silnika	kW	2.2	2.2
Pojemność zbiornika powietrza	l	50	50
Jakość powietrza — filtracja	µm	-	-
Maksymalne ciśnienie robocze zaworu bezpieczeństwa	bary	9,0	9,0
Poziom hałasu przy 5 barach (L _{pA})	dB	≤ 73,5	≤ 56,0
Tryb pracy	%	S1-100	S1-100
Skuteczność suszenia ciśnieniowego punktu rosy przy 7 barach	°C	≤ -40	≤ -40
Alarm dotyczący niskiego ciśnienia osuszacza	bary	< 3	< 3
Alarm dotyczący wysokiego ciśnienia osuszacza	bary	> 9	> 9
Alarm dotyczący wysokiego punktu rosy osuszacza	°C	> -40	> -40
Czas napełniania zbiornika powietrza od 0 do 7 barów	s	90	90
Wymiary (netto) sz x g x w	mm	580x590x815	750x780x1015
Masa netto ^{c)}	kg	95	151
Klasyfikacja wg normy EN 60601-1		Klasa I.	

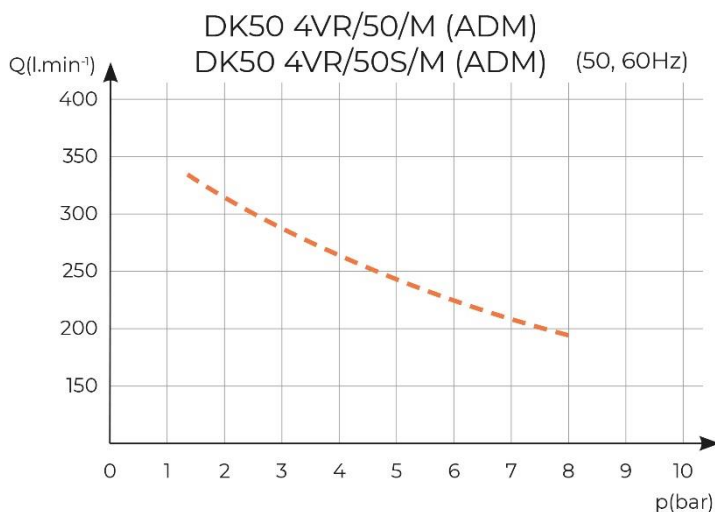
^{a)} W trakcie składania zamówienia należy określić wersję sprężarki

^{b)} Zapytaj dostawcę o inny zakres ciśnienia

^{c)} Waga jest podana tylko orientacyjnie i dotyczy produktu bez akcesoriów

^{d)} Ciśnienie punktu rosy dotyczy temperatur otoczenia poniżej 30°C

Zależność wydajności sprężarki od ciśnienia roboczego



Ciężnienie robocze 8 – 10 barów		DK50 4VR/50/M	DK50 4VR/50 S/M
Napięcie nominalne, Częstotliwość ^{a)}	V, Hz	3x400, 50	3x400, 50
Wydajność przy ciśnieniu 8 barów (FAD)	l/min	195	195
Ciężnienie robocze ^{b)}	bary	8,0 – 10,0	8,0 – 10,0
Prąd znamionowy	A	5,4	5,9
Moc silnika	kW	2.2	2.2
Pojemność zbiornika powietrza	l	50	50
Jakość powietrza — filtracja	µm	-	-
Maksymalne ciśnienie robocze zaworu bezpieczeństwa	bary	12,0	12,0
Poziom hałasu przy 5 barach (L _{pA})	dB	≤ 73,5	≤ 56,0
Tryb pracy	%	S1-100	S1-100
Skuteczność suszenia ciśnieniowego punktu rosy przy 7 barach	°C	≤ -20	≤ -20
Alarm dotyczący niskiego ciśnienia osuszacza	bary	< 3	< 3
Alarm dotyczący wysokiego ciśnienia osuszacza	bary	> 11	> 11
Alarm dotyczący wysokiego punktu rosy osuszacza	°C	> -20	> -20
Czas napełniania zbiornika powietrza od 0 do 7 barów	s	105	105
Wymiary (netto) sz x g x w	mm	580x590x815	750x780x1015
Masa netto ^{c)}	kg	95	151
Klasyfikacja wg normy EN 60601-1		Klasa I.	

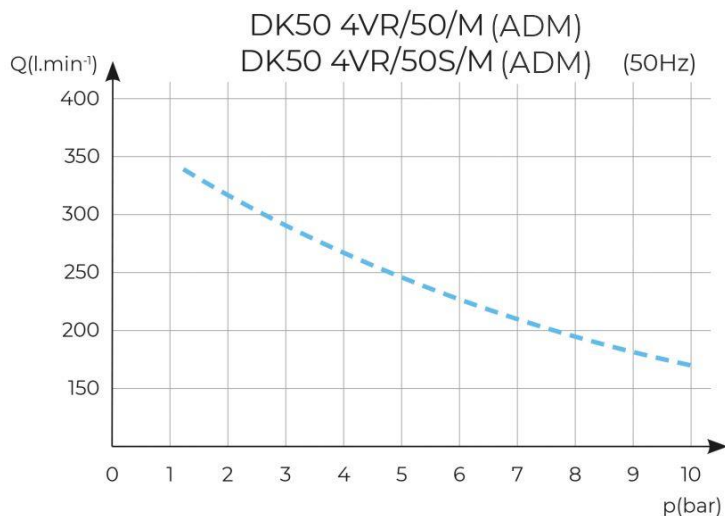
a) W trakcie składania zamówienia należy określić wersję sprężarki

b) Zapytaj dostawcę o inny zakres ciśnienia

c) Waga jest podana tylko orientacyjnie i dotyczy produktu bez akcesoriów

d) Ciężnienie punktu rosy dotyczy temperatur otoczenia poniżej 30°C

Zależność wydajności sprężarki od ciśnienia roboczego



Ciśnienie robocze 8 – 10 barów		DK50 4VR/50/M	DK50 4VR/50 S/M
Napięcie nominalne, Częstotliwość ^{a)}	V, Hz	3x400, 50	3x400, 50
Wydajność przy ciśnieniu 8 barów (FAD)	l/min	190	190
Ciśnienie robocze ^{b)}	bary	8,0 – 10,0	8,0 – 10,0
Prąd znamionowy	A	5,4	5,9
Moc silnika	kW	2.2	2.2
Pojemność zbiornika powietrza	l	50	50
Jakość powietrza — filtracja	µm	-	-
Maksymalne ciśnienie robocze zaworu bezpieczeństwa	bary	12,0	12,0
Poziom hałasu przy 5 barach (L _{pA})	dB	≤ 73,5	≤ 56,0
Tryb pracy	%	S1-100	S1-100
Skuteczność suszenia ciśnieniowego punktu rosy przy 7 barach	°C	≤ -40	≤ -40
Alarm dotyczący niskiego ciśnienia osuszacza	bary	< 3	< 3
Alarm dotyczący wysokiego ciśnienia osuszacza	bary	> 11	> 11
Alarm dotyczący wysokiego punktu rosy osuszacza	°C	> -40	> -40
Czas napełniania zbiornika powietrza od 0 do 7 barów	s	105	105
Wymiary (netto) sz x g x w	mm	580x590x815	750x780x1015
Masa netto ^{c)}	kg	95	151
Klasyfikacja wg normy EN 60601-1		Klasa I.	

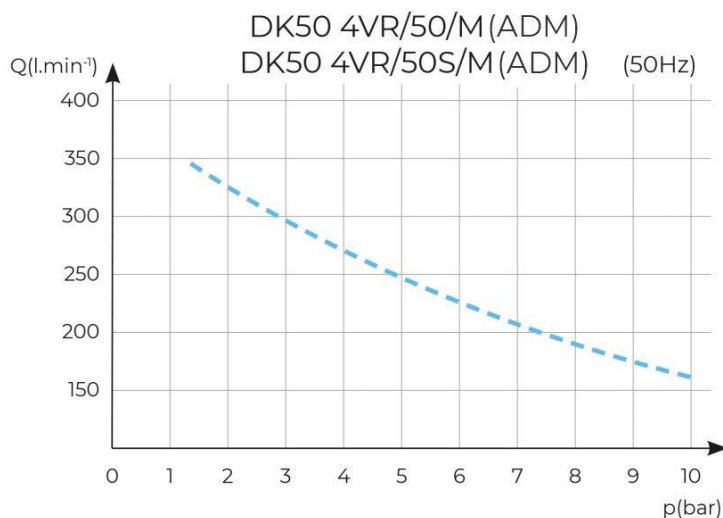
^{a)} W trakcie składania zamówienia należy określić wersję sprężarki

^{b)} Zapytaj dostawcę o inny zakres ciśnienia

^{c)} Waga jest podana tylko orientacyjnie i dotyczy produktu bez akcesoriów

^{d)} Ciśnienie punktu rosy dotyczy temperatur otoczenia poniżej 30°C

Zależność wydajności sprężarki od ciśnienia roboczego



Ciężnienie robocze 6 – 8 barów		DK50 2x4VR/110/M	DK50 2x4VR/110S/M
Napięcie nominalne, Częstotliwość ^{a)}	V, Hz	3x400V, 50Hz	3x400V, 50Hz
Wydajność przy ciśnieniu 6 barów (FAD)	l/min	470	470
Ciężnienie robocze ^{b)}	bary	6,0 – 8,0	6,0 – 8,0
Prąd znamionowy	A	10,8	11,2
Moc silnika	kW	2x2.2	2x2.2
Pojemność zbiornika powietrza	l	110	110
Jakość powietrza — filtracja	µm	-	-
Maksymalne ciśnienie robocze zaworu bezpieczeństwa	bary	9,0	9,0
Poziom hałasu przy 5 barach (L _{pA})	dB	≤ 77,5	≤ 62,0
Tryb pracy	%	S1-100	S1-100
Skuteczność suszenia ciśnieniowego punktu rosy przy 7 barach	°C	≤ - 20	≤ - 20
Alarm dotyczący niskiego ciśnienia osuszacza	bary	< 3	< 3
Alarm dotyczący wysokiego ciśnienia osuszacza	bary	> 9	> 9
Alarm dotyczący wysokiego punktu rosy osuszacza	°C	> -20	> -20
Czas napełniania zbiornika powietrza od 0 do 7 barów	s	95	95
Wymiary (netto) sz x g x w	mm	1085x675x1050	1260x830x1205
Masa netto ^{c)}	kg	168	258
Klasyfikacja wg normy EN 60601-1		Klasa I.	

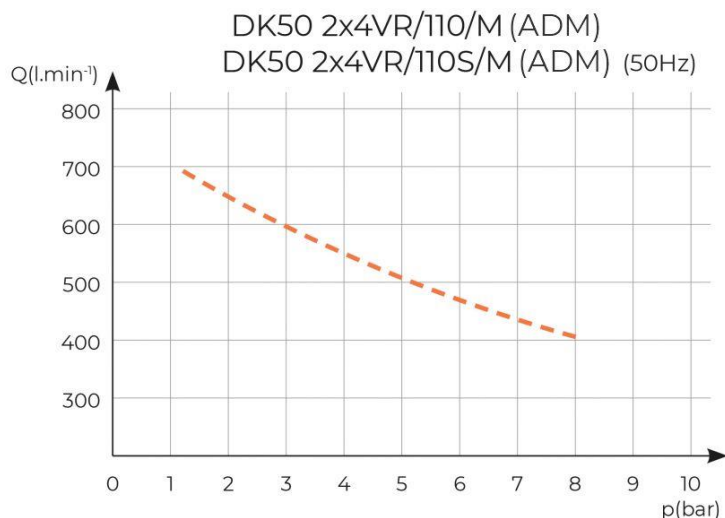
a) W trakcie składania zamówienia należy określić wersję sprężarki

b) Zapytaj dostawcę o inny zakres ciśnienia

c) Waga jest podana tylko orientacyjnie i dotyczy produktu bez akcesoriów

d) Ciężnienie punktu rosy dotyczy temperatur otoczenia poniżej 30°C

Zależność wydajności sprężarki od ciśnienia roboczego



Ciśnienie robocze 6 – 8 barów		DK50 2x4VR/110/M	DK50 2x4VR/110S/M
Napięcie nominalne, Częstotliwość ^{a)}	V, Hz	3x400V, 50Hz	3x400V, 50Hz
Wydajność przy ciśnieniu 6 barów (FAD)	l/min	450	450
Ciśnienie robocze ^{b)}	bary	6,0 – 8,0	6,0 – 8,0
Prąd znamionowy	A	10,8	11,2
Moc silnika	kW	2x2.2	2x2.2
Pojemność zbiornika powietrza	l	110	110
Jakość powietrza — filtracja	µm	-	-
Maksymalne ciśnienie robocze zaworu bezpieczeństwa	bary	9,0	9,0
Poziom hałasu przy 5 barach (L _{pA})	dB	≤ 77,5	≤ 62,0
Tryb pracy	%	S1-100	S1-100
Skuteczność suszenia ciśnieniowego punktu rosy przy 7 barach	°C	≤ - 40	≤ - 40
Alarm dotyczący niskiego ciśnienia osuszacza	bary	< 3	< 3
Alarm dotyczący wysokiego ciśnienia osuszacza	bary	> 9	> 9
Alarm dotyczący wysokiego punktu rosy osuszacza	°C	> -40	> -40
Czas napełniania zbiornika powietrza od 0 do 7 barów	s	100	100
Wymiary (netto) sz x g x w	mm	1085x675x1050	1260x830x1205
Masa netto ^{c)}	kg	168	258
Klasyfikacja wg normy EN 60601-1		Klasa I.	

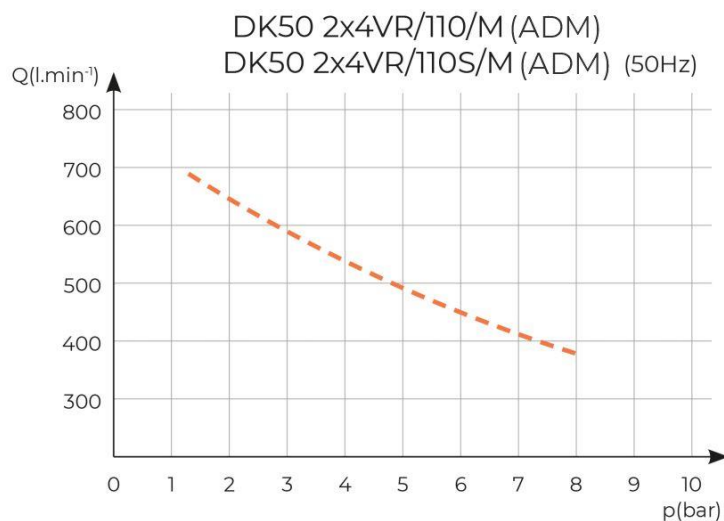
^{a)} W trakcie składania zamówienia należy określić wersję sprężarki

^{b)} Zapytaj dostawcę o inny zakres ciśnienia

^{c)} Waga jest podana tylko orientacyjnie i dotyczy produktu bez akcesoriów

^{d)} Ciśnienie punktu rosy dotyczy temperatur otoczenia poniżej 30°C

Zależność wydajności sprężarki od ciśnienia roboczego



Ciężnienie robocze 8 – 10 barów		DK50 2x4VR/110/M	DK50 2x4VR/110S/M
Napięcie nominalne, Częstotliwość ^{a)}	V, Hz	3x400V, 50Hz	3x400V, 50Hz
Wydajność przy ciśnieniu 8 barów (FAD)	l/min	395	395
Ciężnienie robocze ^{b)}	bary	8,0 – 10,0	8,0 – 10,0
Prąd znamionowy	A	10,3	10,8
Moc silnika	kW	2x2.2	2x2.2
Pojemność zbiornika powietrza	l	110	110
Jakość powietrza — filtracja	µm	-	-
Maksymalne ciśnienie robocze zaworu bezpieczeństwa	bary	12,0	12,0
Poziom hałasu przy 5 barach (L _{pA})	dB	≤ 77,5	≤ 62,0
Tryb pracy	%	S1-100	S1-100
Skuteczność suszenia ciśnieniowego punktu rosy przy 7 barach	°C	≤ -20	≤ -20
Alarm dotyczący niskiego ciśnienia osuszacza	bary	< 3	< 3
Alarm dotyczący wysokiego ciśnienia osuszacza	bary	> 11	> 11
Alarm dotyczący wysokiego punktu rosy osuszacza	°C	> -20	> -20
Czas napełniania zbiornika powietrza od 0 do 7 barów	s	115	115
Wymiary (netto) sz x g x w	mm	1085x675x1050	1260x830x1205
Masa netto ^{c)}	kg	168	258
Klasyfikacja wg normy EN 60601-1		Klasa I.	

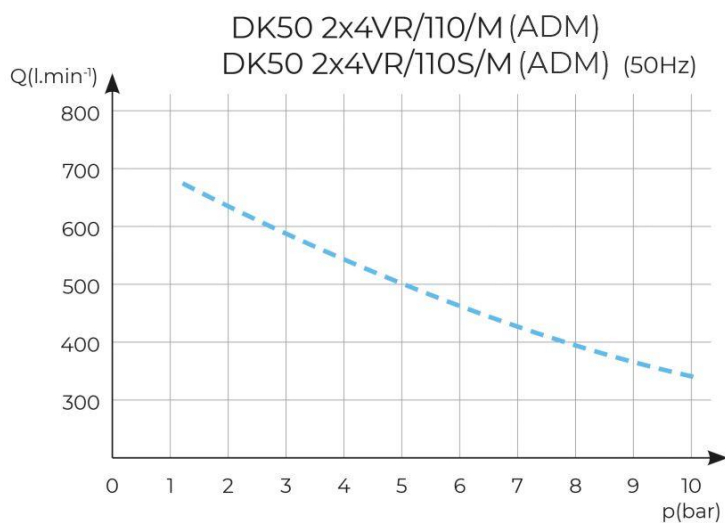
a) W trakcie składania zamówienia należy określić wersję sprężarki

b) Zapytaj dostawcę o inny zakres ciśnienia

c) Waga jest podana tylko orientacyjnie i dotyczy produktu bez akcesoriów

d) Ciężnienie punktu rosy dotyczy temperatur otoczenia poniżej 30°C

Zależność wydajności sprężarki od ciśnienia roboczego



Ciśnienie robocze 8 – 10 barów		DK50 2x4VR/110/M	DK50 2x4VR/110S/M
Napięcie nominalne, Częstotliwość ^{a)}	V, Hz	3x400V, 50Hz	3x400V, 50Hz
Wydajność przy ciśnieniu 8 barów (FAD)	l/min	380	380
Ciśnienie robocze ^{b)}	bary	8,0 – 10,0	8,0 – 10,0
Prąd znamionowy	A	10,3	10,8
Moc silnika	kW	2x2.2	2x2.2
Pojemność zbiornika powietrza	l	110	110
Jakość powietrza — filtracja	µm	-	-
Maksymalne ciśnienie robocze zaworu bezpieczeństwa	bary	12,0	12,0
Poziom hałasu przy 5 barach (L _{pA})	dB	≤ 77,5	≤ 62,0
Tryb pracy	%	S1-100	S1-100
Skuteczność suszenia ciśnieniowego punktu rosy przy 7 barach	°C	≤ - 40	≤ - 40
Alarm dotyczący niskiego ciśnienia osuszacza	bary	< 3	< 3
Alarm dotyczący wysokiego ciśnienia osuszacza	bary	>11	> 11
Alarm dotyczący wysokiego punktu rosy osuszacza	°C	> -40	> -40
Czas napełniania zbiornika powietrza od 0 do 7 barów	s	120	120
Wymiary (netto) sz x g x w	mm	1085x675x1050	1260x830x1205
Masa netto ^{c)}	kg	168	258
Klasyfikacja wg normy EN 60601-1		Klasa I.	

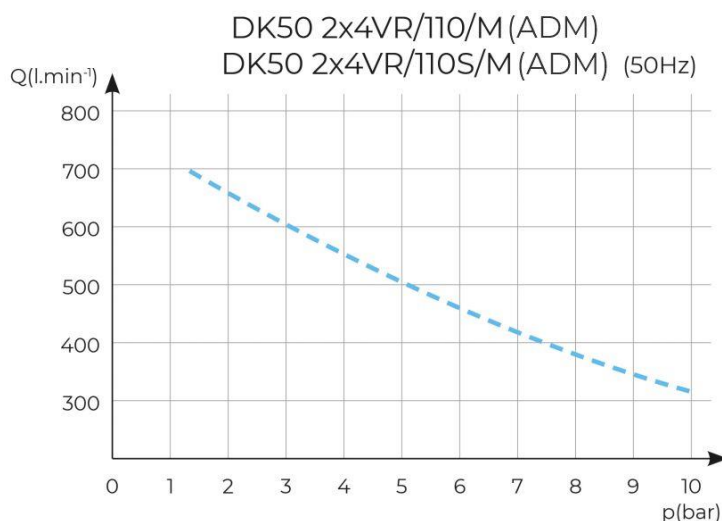
^{a)} W trakcie składania zamówienia należy określić wersję sprężarki

^{b)} Zapytaj dostawcę o inny zakres ciśnienia

^{c)} Waga jest podana tylko orientacyjnie i dotyczy produktu bez akcesoriów

^{d)} Ciśnienie punktu rosy dotyczy temperatur otoczenia poniżej 30°C

Zależność wydajności sprężarki od ciśnienia roboczego



Korekta swobodnego wydatku powietrza ze względu na wysokość

Wydajność określana jako swobodny wydatek powietrza (Free Air Delivery — FAD) dotyczy następujących warunków:

Wysokość	0 n.p.m.	Temperatura	20°C
Ciśnienie atmosferyczne	101325 Pa	Wilgotność względna	0%

Aby obliczyć wydajność FAD sprężarki zależnie od wysokości, należy uwzględnić współczynnik korekty zgodnie z poniższą tabelą:

Wysokość [n.p.m.]	0 – 1500	1501 – 2500	2501 – 3500	3501 – 4500
Współczynnik korekty FAD	1	0.80	0.71	0.60

Deklaracja zgodności elektromagnetycznej

Sprzęt medyczny musi spełniać specjalne normy bezpieczeństwa w zakresie zgodności elektromagnetycznej (EMC) oraz powinien być instalowany i serwisowany zgodnie z poniższymi informacjami na ten temat.

Wytyczne oraz deklaracja producenta – emisja elektromagnetyczna		
Zgodnie z normą IEC 60601-1-2:2014/AMD1:2020 – Medyczne urządzenia elektryczne -- Część 1-2: Wymagania ogólne dotyczące bezpieczeństwa podstawowego oraz funkcjonowania zasadniczego -- Norma uzupełniająca: Zakłócenia elektromagnetyczne -- Wymagania i badania		
Urządzenie jest przeznaczone do użytku w otoczeniu elektromagnetycznym określonym poniżej. Klient lub użytkownik urządzenia powinien zapewnić właściwe warunki użytkowania.		
Test emisji	Zgodność	Otoczenie elektromagnetyczne – wytyczne
Emisje fal radiowych wg normy CISPR 11	Grupa 1	Urządzenie wykorzystuje fale radiowe tylko na wewnętrzne potrzeby. W związku z tym emisja tych fal jest bardzo niska i stwarza bardzo małe ryzyko interferencji z pobliskim sprzętem elektronicznym.
Emisje fal radiowych wg normy CISPR 11	Klasa B	Urządzenie może być używane wszędzie, także w gospodarstwach domowych i miejscach bezpośrednio podłączonych do publicznej sieci zasilania o niskim napięciu, zasilającej budynki wykorzystywane do celów mieszkalnych.
Emisje harmoniczne wg normy IEC 61000-3-2	Klasa A	
Wahania napięcia / emisje migotania wg normy IEC 61000-3-3	Urządzenie nie powinno powodować migotania, ponieważ po jego uruchomieniu przepływ prądu jest w przybliżeniu jednostajny.	


Wytyczne oraz deklaracja producenta – odporność elektromagnetyczna

Zgodnie z normą IEC 60601-1-2:2014/AMD1:2020 – Medyczne urządzenia elektryczne -- Część 1-2: Wymagania ogólne dotyczące bezpieczeństwa podstawowego oraz funkcjonowania zasadniczego -- Norma uzupełniająca: Zakłócenia elektromagnetyczne -- Wymagania i badania

Urządzenie jest przeznaczone do użytku w otoczeniu elektromagnetycznym określonym poniżej. Klient lub użytkownik urządzenia powinien zapewnić właściwe warunki użytkowania.

Test odporności	Poziom testu wg normy IEC 60601-1-2	Poziom zgodności	Otoczenie elektromagnetyczne – wytyczne
Wyładowanie elektrostatyczne (ESD) IEC 61000-4-2	kontaktowe ± 8 kV w powietrzu ± 15 kV	kontaktowe ± 8 kV w powietrzu ± 15 kV	Podłogi powinny być drewniane, betonowe lub pokryte płytkami ceramicznymi. Jeśli podłogi są pokryte materiałem syntetycznym, wilgotność względna powinna wynosić przynajmniej 30%.
Szybkie przejściowe wyładowanie elektryczne IEC 61000-4-4	± 2 kV dla obwodów zasilania ± 1 kV dla obwodów wejścia/wyjścia	± 2 kV Częstotliwość powtarzania 100 kHz Dotyczy podłączenia do sieci	Jakość sieci powinna być typowa dla środowisk komercyjnych lub szpitalnych.
Przebieżenie IEC 61000-4-5	Tryb różnicowy ± 1 kV Tryb wspólny ± 2 kV	± 1 kV L-N ± 2 kV L-PE; N-PE Dotyczy podłączenia do sieci	Jakość sieci powinna być typowa dla środowisk komercyjnych lub szpitalnych.
Spadki napięcia, krótka przerwa, oraz wahania napięcia na liniach wejściowych zasilania wg normy IEC 60601-4-11	$U_T=0\%$, cykl 0,5 (przy 0, 45, 90, 135, 180, 225, 270 oraz 315°) $U_T=0\%$, cykl 1 $U_T=70\%$ 25/30 cykli (przy 0°) $U_T=0\%$, 250/300 cykli	$U_T \geq 95\%$, 0,5 cyklu (przy 0, 45, 90, 135, 180, 225, 270 oraz 315°) $U_T \geq 95\%$, 1 cykl $U_T=70\%$ (30% spadek napięcia U_T), 25 (50 Hz)/30 (60 Hz) cykli (przy 0°) $U_T \geq 95\%$, 250 (50 Hz)/300 (60 Hz) cykli	Jakość sieci powinna być typowa dla środowisk komercyjnych lub szpitalnych. Urządzenie automatycznie wyłącza i restartuje się po każdym spadku napięcia. W tym przypadku nie następuje nieakceptowalny spadek ciśnienia.
Częstotliwość zasilania (50/60 Hz) IEC 61000-4-8	30 A/m	30 A/m	Pola magnetyczne o częstotliwości zasilania powinny być przynajmniej na poziomie charakterystycznym dla typowej lokalizacji w typowym środowisku komercyjnym lub szpitalnym.
Strefy promieniowania w bliskim otoczeniu wg normy IEC 61000-4-39	30 A/m	30 A/m	Pola magnetyczne o częstotliwości zasilania powinny być przynajmniej na poziomie charakterystycznym dla typowej lokalizacji w typowym środowisku komercyjnym lub szpitalnym.

UWAGA: U_T to przemienne napięcie sieciowe przed testem.

Wytyczne oraz deklaracja producenta – odporność elektromagnetyczna			
Zgodnie z normą IEC 60601-1-2:2014/AMD1:2020 – Medyczne urządzenia elektryczne -- Część 1-2: Wymagania ogólne dotyczące bezpieczeństwa podstawowego oraz funkcjonowania zasadniczego -- Norma uzupełniająca: Zakłócenia elektromagnetyczne -- Wymagania i badania			
Urządzenie jest przeznaczone do użytku w otoczeniu elektromagnetycznym określonym poniżej. Klient lub użytkownik urządzenia powinien zapewnić właściwe warunki użytkowania.			
Test odporności	Poziom testu wg normy IEC 60601-1-2	Poziom zgodności	Otoczenie elektromagnetyczne – wytyczne
Odporność na zaburzenia radioelektryczne wprowadzane do przewodów IEC 61000-4-6	3 Vrms 150 kHz – 80 MHz	3 Vrms	Przenośne i ruchome urządzenia radiowe RF nie powinny znajdować się bliżej żadnej części urządzenia, w tym kabli, niż zalecana odległość obliczona za pomocą równania z uwzględnieniem częstotliwości nadajnika. Zalecana odległość $d=1,2\sqrt{P}$ $d=1,2\sqrt{P}$, 80 MHz – 800 MHz $d=2,3\sqrt{P}$, 800 MHz – 2,7 GHz gdzie P to maksymalna moc wyjściowa nadajnika w watach (W) podana przez producenta nadajnika, a d to zalecana odległość w metrach (m).
Odporność na pole elektromagnetyczne o częstotliwościach radiowych IEC 61000-4-3	3 V/m 80 MHz – 2,7 GHz	3 V/m	Natężenia pól emitowanych przez stałe nadajniki RF, określone drogą pomiaru poziomu zakłóceń elektromagnetycznych w miejscu montażu ^a , powinny być niższe od poziomu zgodności w każdym zakresie częstotliwości ^b . Interferencje mogą występować w pobliżu urządzeń oznaczonych następującym symbolem:
Pobliskie pola fal radiowych emitowanych przez urządzenia komunikacyjne IEC 61000-4-3	9 – 28 V/m 15 określonych częstotliwości (380 – 5800 MHz)	9 – 28 V/m 15 określonych częstotliwości (380 – 5800 MHz)	
UWAGA 1: w przypadku 80 MHz i 800 MHz zastosowanie ma wyższy zakres częstotliwości.			
UWAGA 2: wytyczne te mogą nie mieć zastosowania w niektórych sytuacjach. Na rozchodzenie się fal elektromagnetycznych mają wpływ właściwości pochłaniania i odbijania konstrukcji, obiektów i ludzi.			
^a Siły pól emitowanych przez stałe nadajniki, takie jak stacje telefoniczne (komórkowe/bezprzewodowe), przenośne radia lądowe, radia amatorskie, stacje nadające sygnały radiowe AM i FM oraz TV nie dadzą się dokładnie przewidzieć w obliczeniach teoretycznych. Aby określić właściwości otoczenia elektromagnetycznego ze względu na obecność stałych nadajników fal radiowych, należy przeprowadzić pomiar poziomu zakłóceń elektromagnetycznych w miejscu montażu. Jeśli natężenie pola w miejscu montażu urządzenia przekracza dopuszczalny poziom zakłóceń fal radiowych, należy przyjrzeć się, czy urządzenie działa prawidłowo. Jeśli urządzenie nie działa prawidłowo, może być konieczne podjęcie środków zaradczych, takich jak przestawienie lub przeniesienia urządzenia.			
^b Powyżej zakresu częstotliwości 150 kHz – 80 kHz natężenia pól powinny wynosić mniej niż 3 V/m.			

INSTALACJA



Ryzyko nieprawidłowej instalacji.

Instalację i uruchomienie sprężarki może przeprowadzić wyłącznie wykwalifikowany specjalista. Jego obowiązkiem jest przeszkolenie operatorów w zakresie obsługi i konserwacji sprzętu. W dokumentacji instalacyjnej sprzętu powinien znaleźć się zapis poświadczający odbycie szkolenia operatorów. (Patrz Dodatek).

10. WARUNKI INSTALACJI

- Sprężarkę należy zainstalować i wykorzystywać tylko w suchych, dobrze wentylowanych i czystych pomieszczeniach, w których panują warunki opisane w rozdziale Dane techniczne.



Ryzyko uszkodzenia urządzenia.

Urządzenia nie można użytkować na zewnątrz ani w wilgotnym środowisku.



Ryzyko eksplozji.

Nie należy używać urządzenia w obecności wybuchowych gazów, kurzu lub łatwopalnych płynów.



Ryzyko poparzenia lub pożaru! Uwaga! Gorąca powierzchnia!

W trakcie działania sprężarki części urządzenia i osuszacz mogą być nagrzane i niebezpieczne dla ludzi i rzeczy.

- Sprężarkę należy tak zainstalować, aby zawsze była dostępna do pracy i konserwacji. Tabliczka znamionowa powinna znajdować się w dostępnym miejscu.
- Sprężarka powinna stać na płaskiej i stabilnej powierzchni (należy wziąć pod uwagę ciężar sprężarki, patrz rozdział Dane techniczne).



Zagrożenie z powodu wysokiej temperatury.

Przepływ powietrza przed i za chłodnicą musi być całkowicie swobodny. Wewnętrzne i zewnętrzne części chłodnicy mogą być gorące i niebezpieczne dla zdrowia.



Na początku eksploatacji produktu może być wyczuwalny zapach „nowego urządzenia” (przez krótki czas). Jest to zjawisko przejściowe, które nie ma wpływu na działanie sprzętu. Po instalacji należy zapewnić właściwą wentylację.

11. MONTAŻ SPRĘŻARKI

11.1. Przenoszenie i rozpakowywanie sprężarki

- Wyjmij sprężarkę z opakowania.
- W przypadku sprężarki z obudową zdjąć drzwiczki przytrzymywane na śrubach, a w przypadku sprężarek DK50 4VR/50/M zdjąć listwę przyłączeniową (41) znajdującą się w dolnej części obudowy. Wyjmij obudowę ze sprężarki.
- Zdejmij sprężarkę z palety, wykręcając śruby mocujące (Rys. 5).
- Ustaw sprężarkę w miejscu instalacji (Rys. 6).

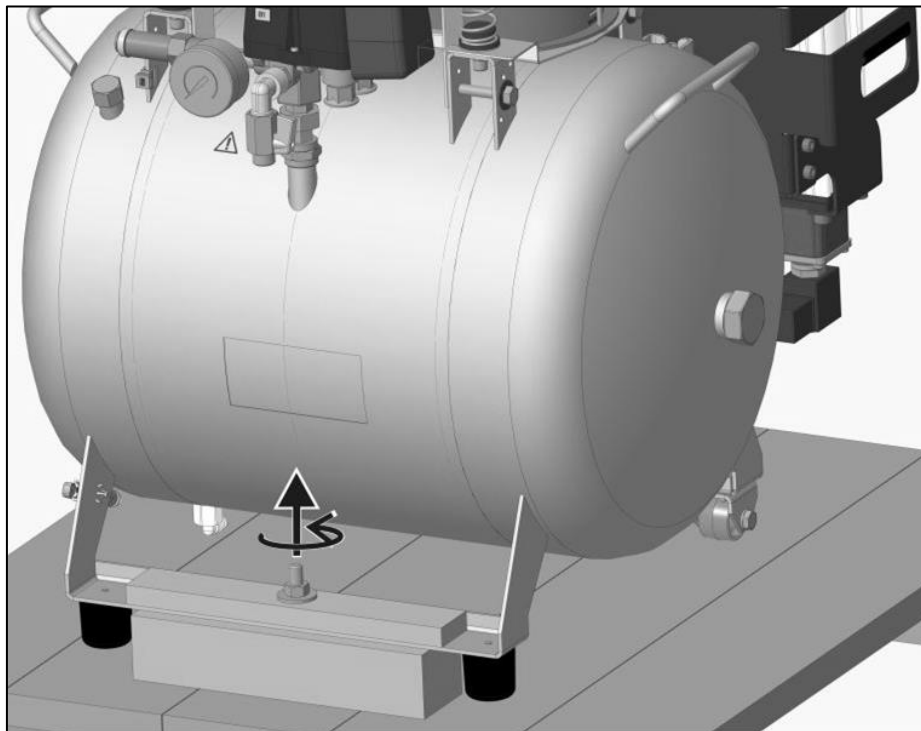


W razie potrzeby przesunąć sprężarkę za pomocą uchwytów. Nie używaj żadnych innych części sprężarki (agregatu, chłodnicy itd.) do przenoszenia

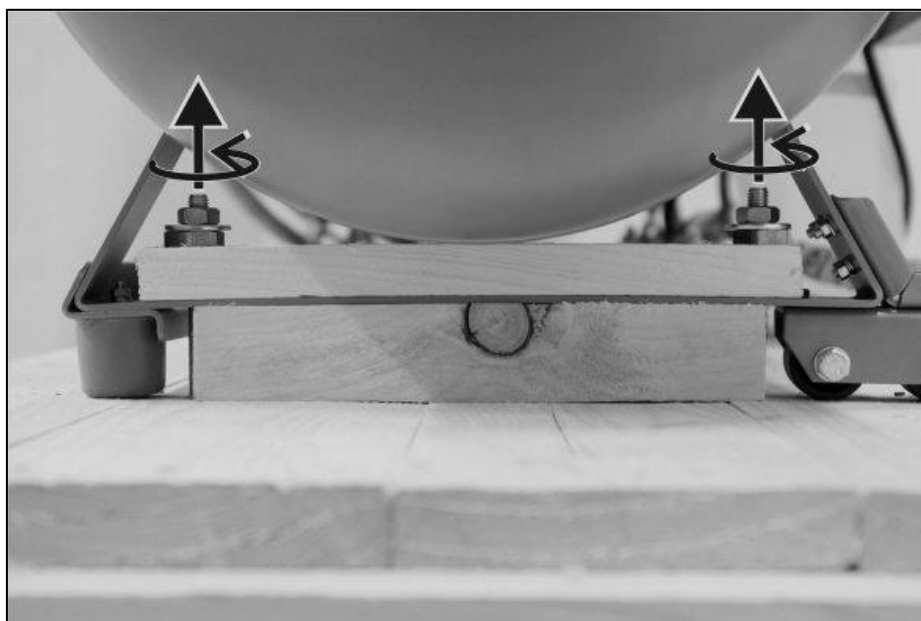


Liczba osób potrzebnych do przeniesienia sprzętu musi być dostosowana do jego wagi.

Rys. 5: Demontaż uchwytów transportowych

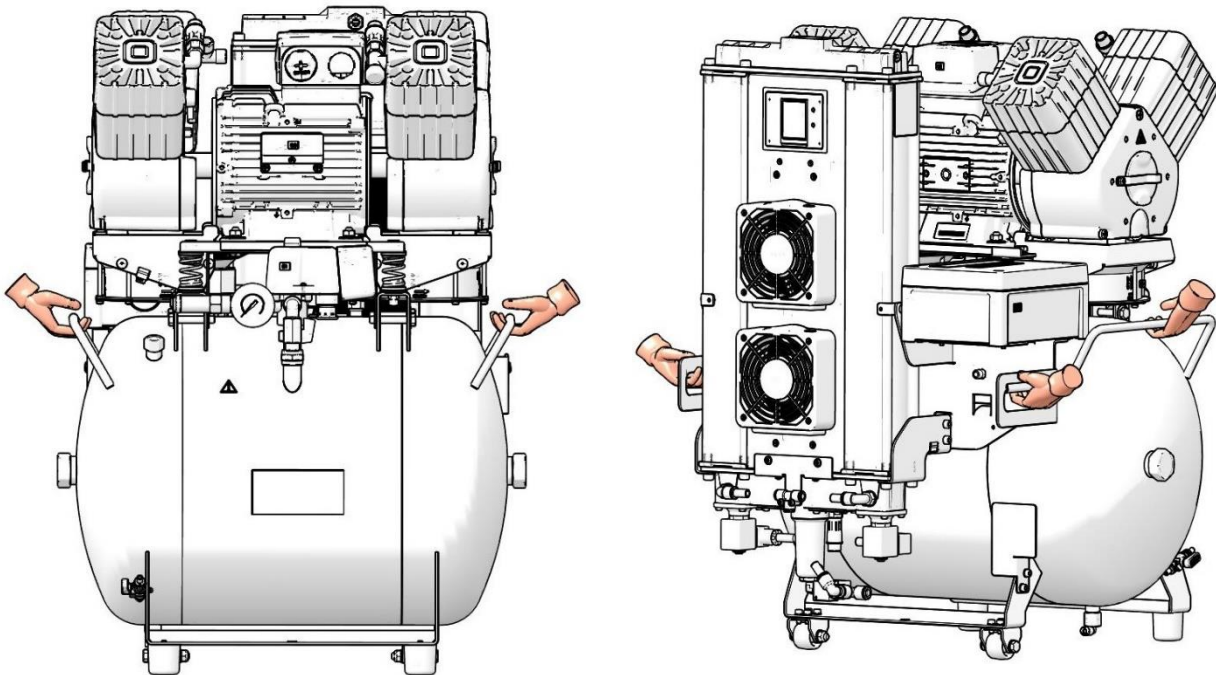
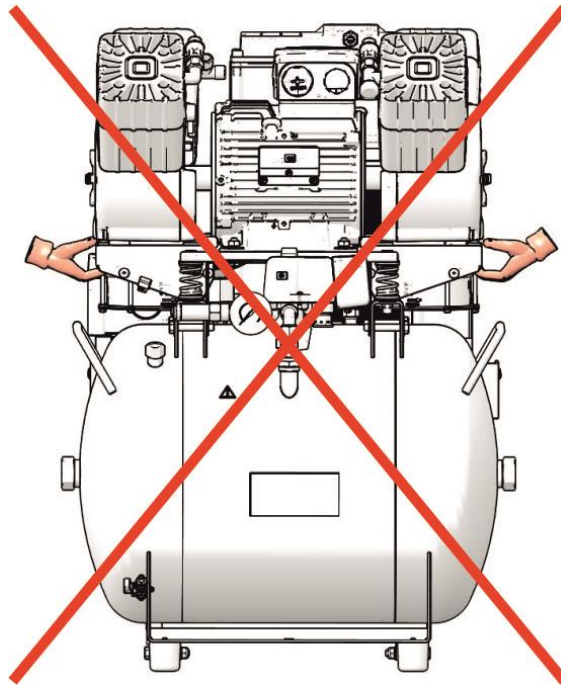


DK50 4VR/50

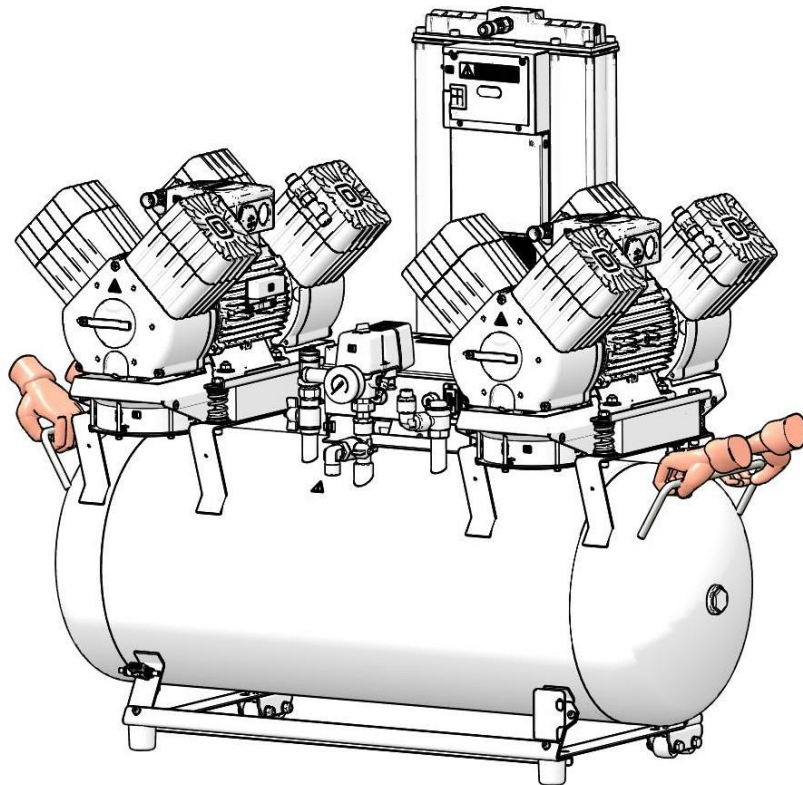
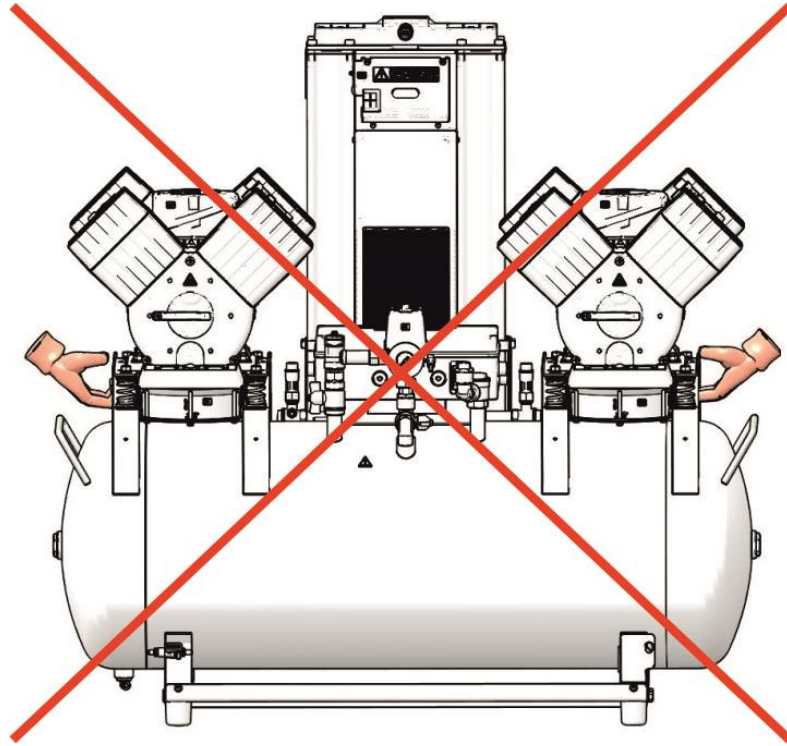


DK50 2x4VR/110

Rys. 6: Ustawianie sprężarki



DK50 4VR/50



DK50 2x4VR/110

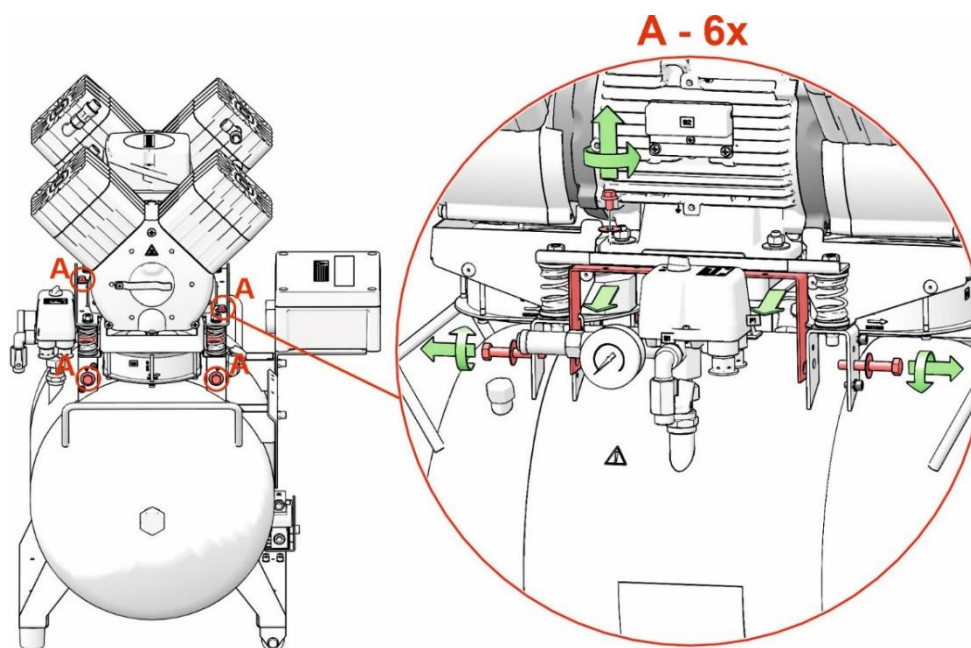
- Aby zdemontować uchwyty służące do zabezpieczenia agregatu w transporcie, odkręć kluczem 10 mm górne śruby, a następnie kluczem 13 mm odkręć dolne boczne śruby (Rys. 7).



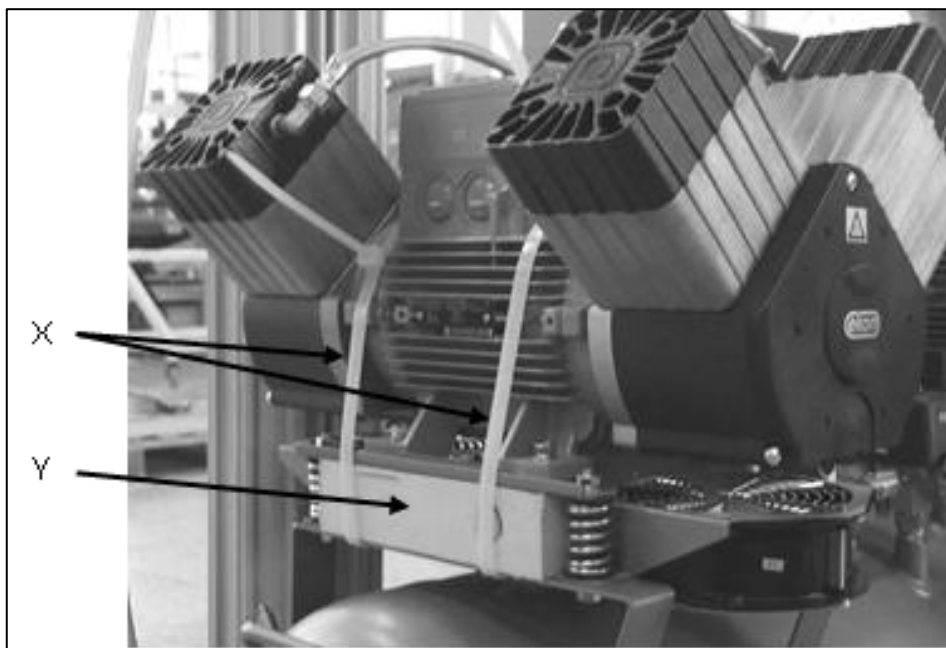
Przed pierwszym uruchomieniem należy usunąć wszystkie zabezpieczenia służące do unieruchomienia urządzenia podczas transportu — ich pozostawienie grozi uszkodzeniem produktu.

Po zainstalowaniu i wypoziomowaniu sprężarki w ostatecznym miejscu usuń wszystkie mocowania zabezpieczające agregaty.

Rys. 7: Zwalnianie pomp powietrza



DK50 4VR/50



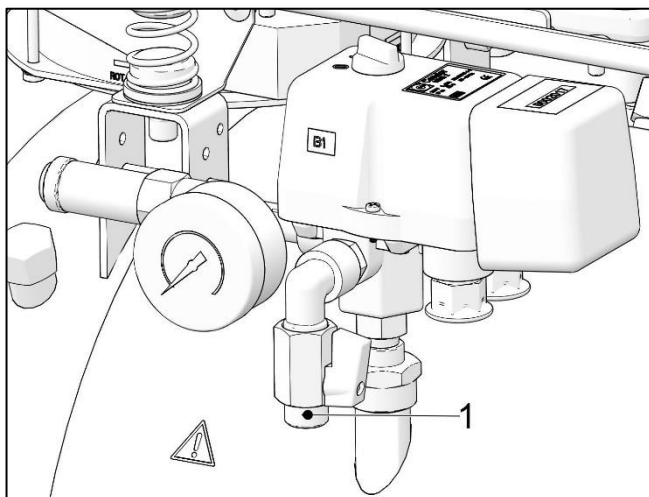
DK50 2x4VR/110

12. POŁĄCZENIA PNEUMATYCZNE

12.1. Podłączanie do wylotu sprężonego powietrza

- Poprowadź wąż ciśnieniowy z wyjścia sprężonego powietrza (1) do podłączonego sprzętu.
- Została użyta złączka G3/8" (DK50 4VR/50), G1/2" (DK50 2x4VR/110).
- Poprowadź wąż ciśnieniowy przez otwór w tylnej ścianie obudowy sprężarki z obudową.

DK50 4VR/50



DK50 2x4VR/110

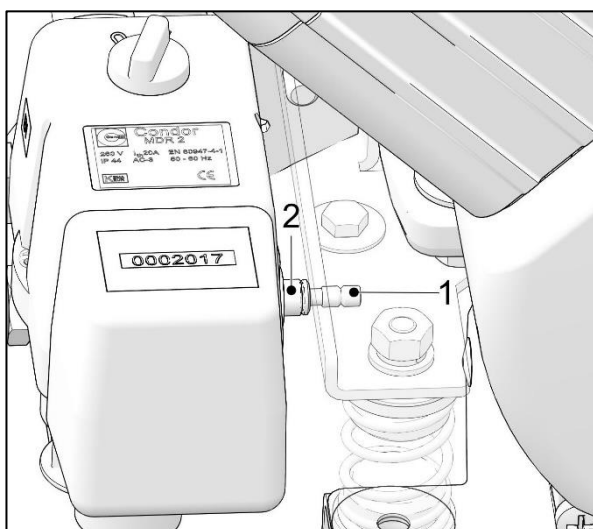


Rys. 8: Podłączanie do wylotu sprężonego powietrza

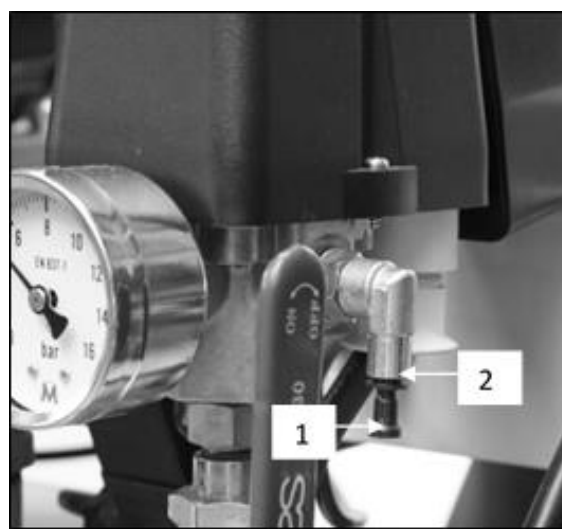
12.2. Podłączanie miernika ciśnienia w obudowie do sprężarki

- Odkręć korek (1) z gwintu (2) na bloku pneumatycznym sprężarki.
- Połącz ciśnieniomierz obudowy z łącznikiem gwintowanym.

DK50 4VR/50



DK50 2x4VR/110



Rys. 9: Podłączanie miernika ciśnienia w obudowie do sprężarki

12.3. Spust kondensatu

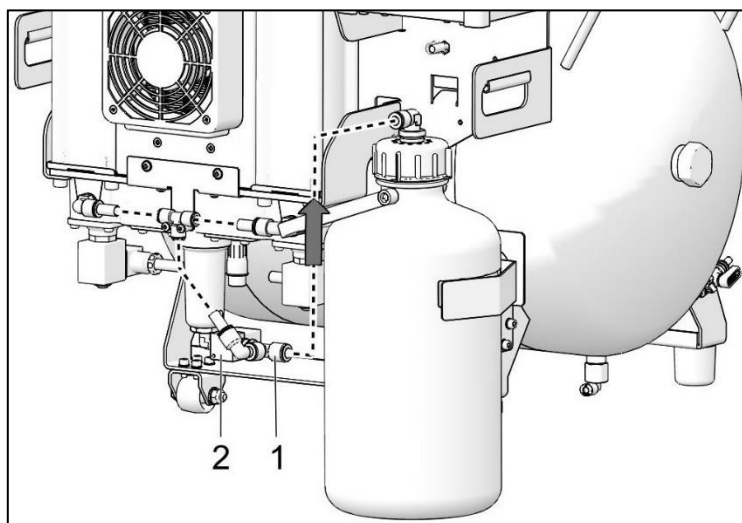


Ryzyko obrażeń.

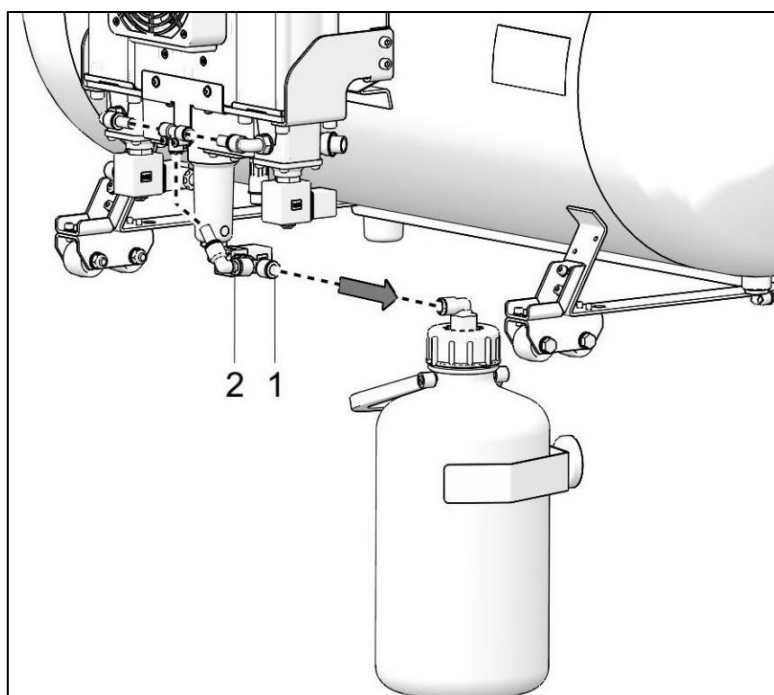
**Nie należy podłączać spustu kondensatu bezpośrednio do odpływu do ścieków!
Mogą ucierpieć przechodnie!**

- Podłącz wężyk do wylotu (1) z automatycznego spustu kondensatu (2) do dołączonego naczynia zbiorczego.
- W przypadku sprężarki w obudowie przeprowadź wężyk przez tylny otwór w szafce. Przymocuj zbiornik kondensatu do panelu bocznego lub tylnego obudowy.

Rys. 10: Spust kondensatu



DK50 4VR/50/M



DK50 2x4VR/110/M



Ryzyko uszkodzenia elementów pneumatycznych.
Węże powietrzne nie mogą być uszkodzone.

13. POŁĄCZENIE ELEKTRYCZNE

- Do produktu jest dołączony przewód z wtyczką z bolcem uziemienia.
- W przypadku sprężarek montowanych w obudowie przewód zasilania należy poprowadzić przez otwór w tylnej ścianie obudowy.
- Zapewnij łatwy dostęp do gniazdka, aby urządzenie można było bezpiecznie odłączyć od sieci.
- Połączenie z szafą elektryczną może mieć maksymalnie 16 A.



Ryzyko porażenia prądem elektrycznym.

Należy przestrzegać wszystkich lokalnych przepisów elektrotechnicznych. Napięcie i częstotliwość sieci muszą zgadzać się z parametrami określonymi na tabliczce urządzenia.



Ryzyko pożaru i porażenia prądem elektrycznym.

Przewód elektryczny nie może być uszkodzony.



Ryzyko pożaru i porażenia prądem elektrycznym.

Upewnić się, że przewód elektryczny nie dotyka gorących elementów sprężarki.

- Podłącz styk wyrównania potencjałów 6Ø mm (1) do obwodu elektrycznego w określony sposób zgodny z przepisami elektrotechnicznymi
- Gniazdo wyrównywania potencjałów (2) jest dodatkiem i nie jest dołączone do podstawowego zestawu



Rys. 11: Wyrównywanie potencjałów

- Zamontuj złącze przewodnika uziemiającego na drzwiczkach i przykręć do obudowy.

Podłączenie zasilania

Napięcie zasilania	Typ przewodu elektrycznego
230V/50 (60) Hz	3Gx1.5x4000
400V/50 (60) Hz	5Gx1.5x4000

13.1. Podłączanie sprężarki niezamontowanej w obudowie

- Włóż wtyczkę przewodu zasilającego do gniazda sieciowego.
- Sprężarka jest gotowa do działania.

13.2. Podłączanie sprężarki zamontowanej w obudowie

- Przełóż wtyczkę przewodu zasilającego przez otwór w tylnej ścianie obudowy sprężarki zamontowanej w obudowie. (Rys. 12)

- Połącz elektrycznie obudowę ze sprężarką, wkładając wtyczkę załączonego przewodu zasilania do gniazda. (Rys. 13)
- Zlikwiduj połączenie elektryczne obudowy ze sprężarką, wyjmując wtyczkę z gniazda, po uprzednim zwolnieniu zatrasku.
- Przygotować wyświetlacz na przednich drzwiach obudowy, a następnie przymocować przewód do wyświetlacza za pomocą zacisków (1). Podłącz wyświetlacz do przednich drzwiczek obudowy, a następnie przymocuj przewód do wyświetlacza za pomocą zacisków (1). W przypadku sprężarek DK50 4VR/50 S/M przewód przymocuj za pomocą zacisku (1) na drzwiach obudowy (Rys. 18). W przypadku sprężarek DK50 2x4VR/110 S/M przewód przymocuj za pomocą zacisków (1) w obudowie (Rys. 22).



Rys. 12: Otwór w tylnej ścianie obudowy



Rys. 13: Podłączanie obudowy do sprężarki

14. USTAWIENIE SPRĘŻARKI W OBUDOWIE

14.1. DK50 4VR/50S/M (Rys. 4-A):

Demontaż drzwiczek obudowy

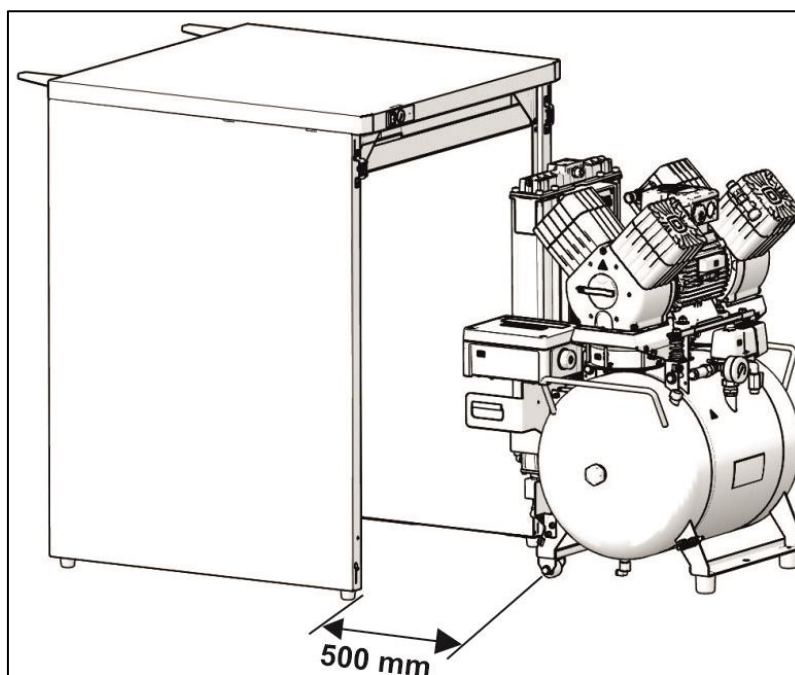
- Zdejmij drzwiczki przytrzymywane przez dwie śruby i odłącz złącze wyświetlacza oraz przewód uziemiający.



Przed zdjęciem drzwi przednich sprawdź, czy złącze wyświetlacza zostało odłączone, ponieważ w przeciwnym razie może zostać uszkodzone.

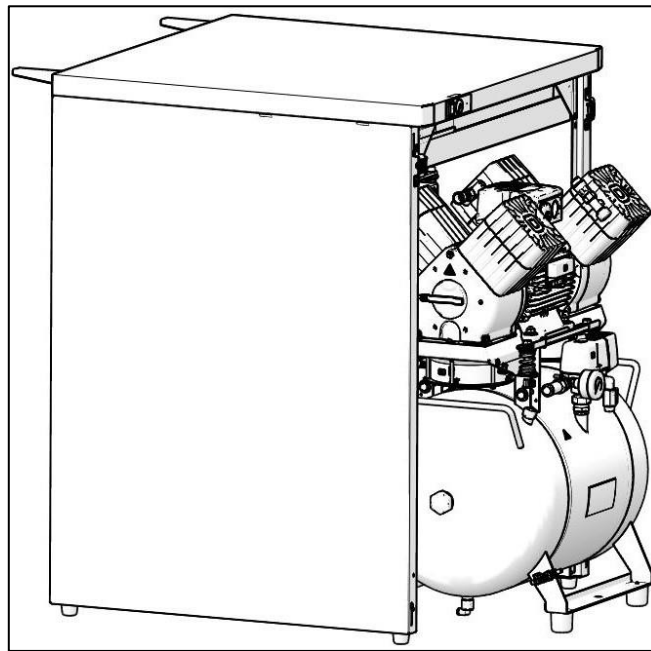
Umieszczenie sprężarki

- Usuń listwę (41) z przodu obudowy.
- Ustaw sprężarkę w odległości co najmniej 500 mm od obudowy, aby ułatwić poprowadzenie węży i przewodu zasilającego w obudowie (Rys. 14).



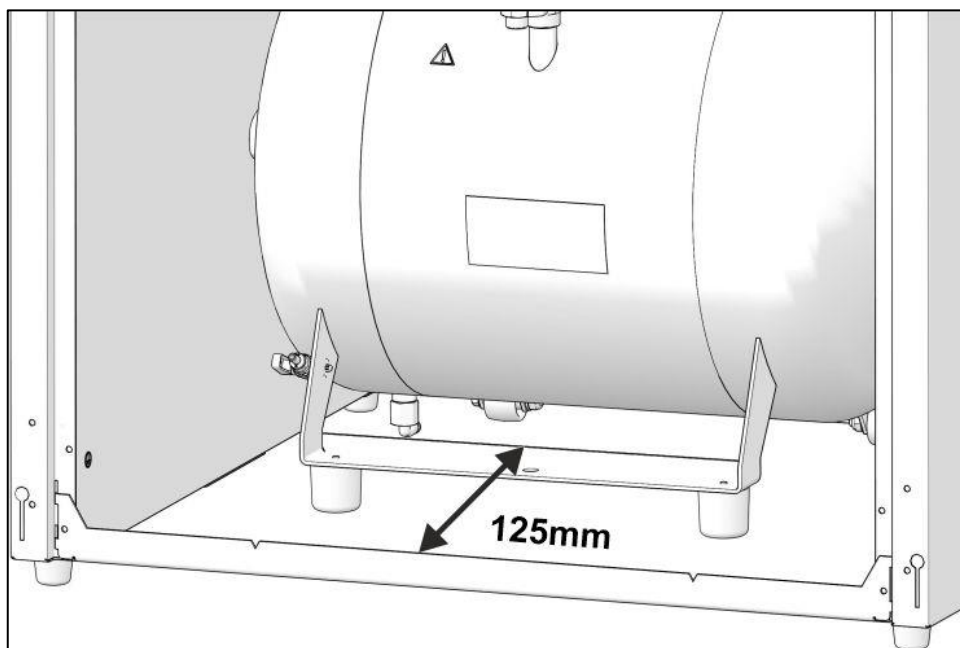
Rys. 14: Umieszczenie sprężarki, aby ułatwić prowadzenie przyłączy

- Wykonaj połączenia pneumatyczne zgodnie z rozdziałem 12.1.
- Podłącz zbiornik kondensatu zgodnie z rozdziałem 12.3.
- Poprowadź wąż ciśnieniowy, wąż spustowy kondensatu i przewód zasilania przez otwór w tylnej ścianie obudowy.
- Ustaw sprężarkę w takiej odległości od obudowy, aby złącze WINSTA mogło wykonać połączenie elektryczne między sprężarką a obudową (Rys. 13, Rys. 15).



Rys. 15: Umieszczenie sprężarki umożliwiające wykonanie połączeń elektrycznych

- Podłącz elektrycznie sprężarkę zgodnie z rozdziałem 13.
- Włóż sprężarkę do obudowy przy użyciu wózka pozycjonującego (35), załóż listwę z przodu obudowy i wyreguluj ustawienie sprężarki tak, aby dwa nacięcia w kształcie litery „V” na listwie znalazły (41) się w linii z nóżkami sprężarki (Rys. 4).
- Upewnij się, sprężarka została całkowicie włożona do obudowy, posługując się dystansem kontrolnym (Rys. 16).



Rys. 16: Umieszczenie sprężarki DK50 4VR/50/M w obudowie

- Umieść listwę łączącą (41) w pierwotnym położeniu w dolnej części obudowy.
- Podłącz manometr obudowy do sprężarki zgodnie z rozdziałem 12.2.



Sprężarki z osuszaczem powietrza nie można popychać do końca, ponieważ grozi to trwałym uszkodzeniem osuszacza.

Instalacja drzwiczek obudowy

- Zamontuj drzwi obudowy, podłącz złącze wyświetlacza (Rys. 17) i przymocuj przewód do wyświetlacza w zacisku (1) w drzwiach przednich (Rys. 18).
- Podłącz przewód uziemiający do drzwi oraz zamontuj drzwi obudowy i zabezpiecz je dwiema śrubami.



Rys. 17: Podłączenie złącza wyświetlacza



Rys. 18: Zaciski obudowy DK50 4V/50 S/M

14.2. DK50 2x4VR/110S/M (Rys. 4-B):

Otwieranie pokrywy górnej

- Podnieś górną pokrywę obudowy, pociągając za uchwyt (42). Sprężyna gazowa uniemożliwi jej samoczynne zamknięcie.



Podczas zamykania pokrywy obudowy uważaj, aby nie przyciąć palców.

Po zamknięciu pokrywy obudowy zawsze blokuj ją za pomocą elementów do szybkiego mocowania!

Demontaż przedniej płyty obudowy

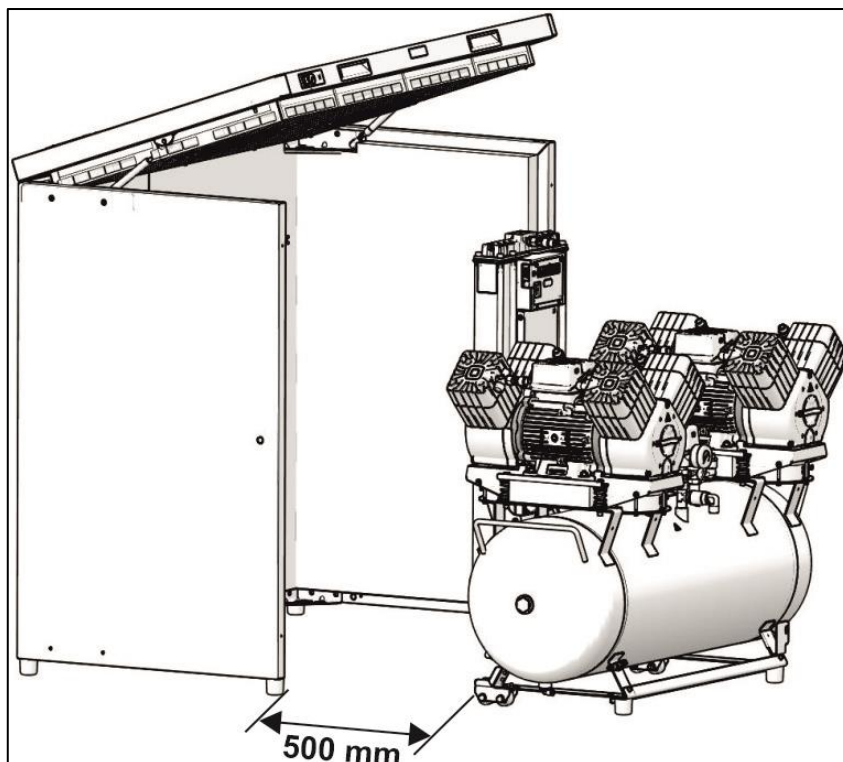
- Zdejmij drzwiczki przytrzymywane przez cztery śruby M5 i odłącz złącze wyświetlacza oraz przewód uziemiający.



Przed zdjęciem drzwi przednich sprawdź, czy złącze wyświetlacza zostało odłączone, ponieważ w przeciwnym razie może zostać uszkodzone.

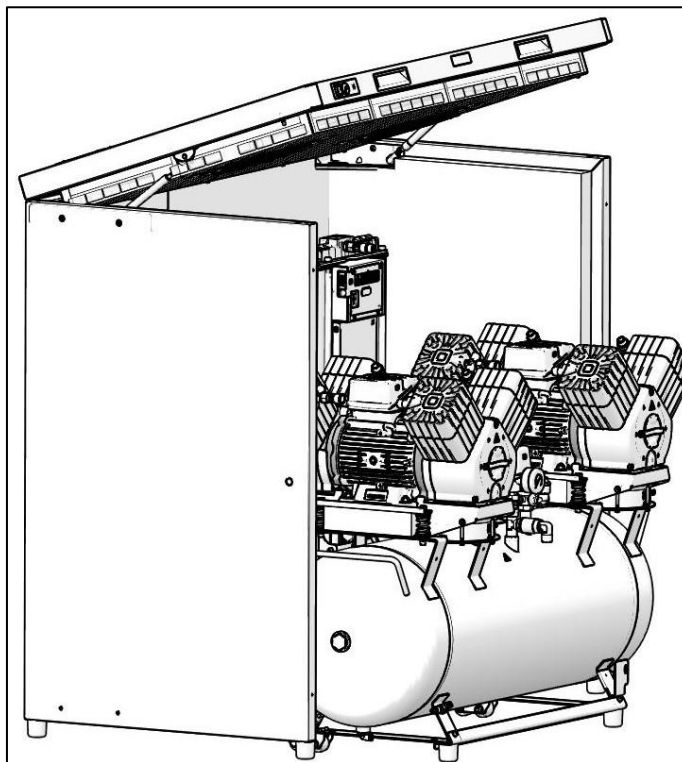
Umieszczenie sprężarki

- Ustaw sprężarkę w odległości co najmniej 500 mm od obudowy, aby ułatwić poprowadzenie węży i przewodu zasilającego w obudowie (Rys. 19).



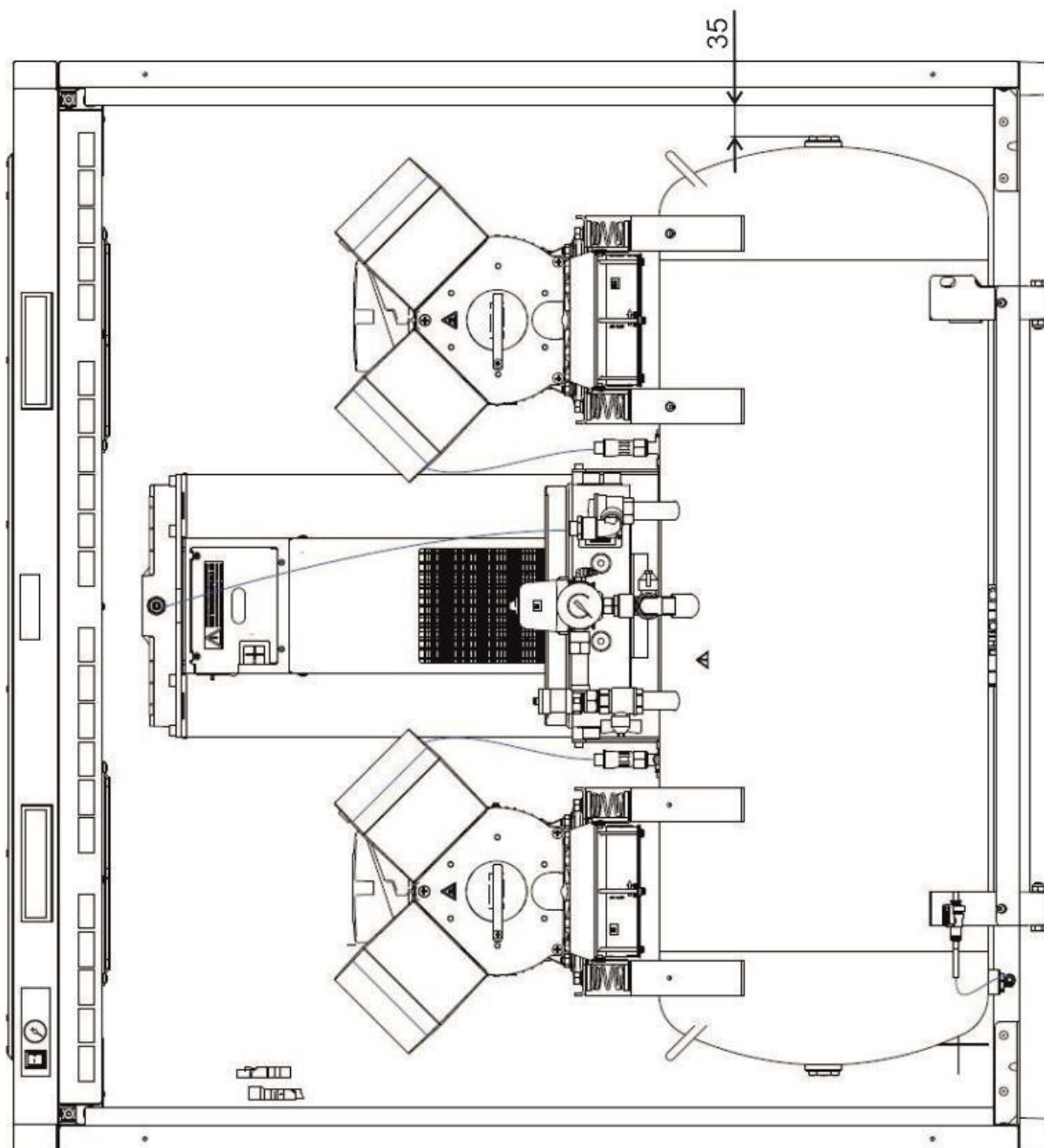
Rys. 19: Umieszczenie sprężarki, aby ułatwić prowadzenie przyłączy

- Wykonaj połączenia pneumatyczne zgodnie z rozdziałem 12.1.
- Podłącz zbiornik kondensatu zgodnie z rozdziałem 12.3.
- Poprowadź wąż ciśnieniowy, wąż spustowy kondensatu i przewód zasilania przez otwór w tylnej ścianie obudowy.
- Ustaw sprężarkę w takiej odległości od obudowy, aby złącze WINSTA mogło wykonać połączenie elektryczne między sprężarką a obudową (Rys. 13, Rys. 20).



Rys. 20: Umieszczenie sprężarki umożliwiające wykonanie połączeń elektrycznych

- Podłącz elektrycznie sprężarkę zgodnie z rozdziałem 13.
- Sprężarkę z osuszaczem włóż do obudowy w taki sposób, aby wentylator osuszacza wpasował się do otworu kanału chłodzącego w obudowie (Rys. 21).



Rys. 21: Ustawienie sprężarki w obudowie

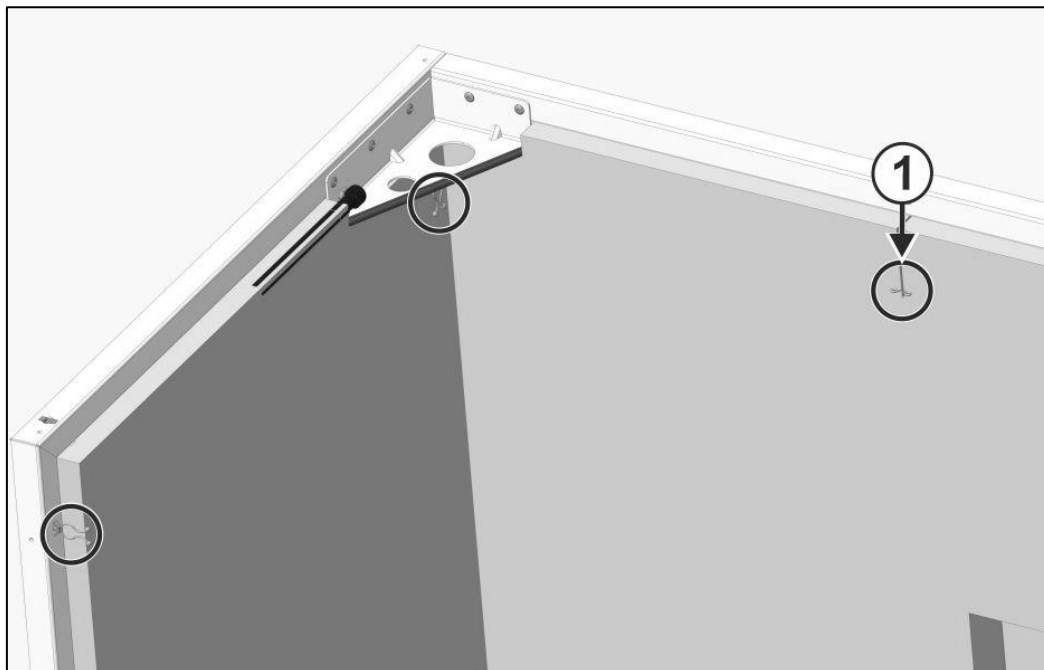
- Podłącz manometr obudowy do sprężarki zgodnie z rozdziałem 12.2.



Sprężarki z osuszaczem powietrza nie można popychać do końca, ponieważ grozi to trwałym uszkodzeniem osuszacza.

Montaż przedniego panelu obudowy

- Zamontuj drzwi obudowy, podłącz złącze wyświetlacza (Rys. 17) i przymocuj przewód do wyświetlacza w zacisku (1) w drzwiach przednich (Rys. 22).



Rys. 22: Zaciski obudowy DK50 2x4VR/110 S/M

- Podłącz przewód uziemiający do drzwi oraz zamontuj drzwi obudowy i zabezpiecz je czterema śrubami.

15. PRZYGOTOWYWANIE DO UŻYTKU

- Upewnij się, że wszystkie stabilizatory transportowe zostały usunięte.
- Sprawdź, czy wszystkie węże ciśnieniowe są prawidłowe (patrz rozdział 12).
- Sprawdź, czy urządzenie jest prawidłowo podłączone do sieci (patrz rozdział 13).
- Sprawdź ustawienie wyłącznika obwodu. Powinien być w pozycji „I”. Jeśli przełącznik główny (2) jest w pozycji „0”, przestaw go do pozycji „I” (Rys. 23).
- W przypadku sprężarek montowanych w obudowie ustaw przełącznik główny (4) z przodu obudowy w pozycji „I”. Zielona lampka będzie oznaczała, że urządzenie działa (Rys. 23).
- Sprawdź połączenie złącza obudowy ze sprężarką (Rys. 13).
- Sprawdź połączenie wyświetlacza na przednich drzwiach obudowy.
- Sprawdź połączenie węża manometru obudowy z blokiem pneumatycznym sprężarki (Rys. 9).
- Sprawdź, czy wąż automatycznego spustu kondensatu jest połączony z naczyniem odbiorczym (Rys. 10).
- Konfiguracja języka na wyświetlaczu osuszacza (patrz rozdział 20.2).
- Konfiguracja daty i godziny na wyświetlaczu osuszacza (patrz rozdział 20.3).
- Sprawdzanie ustawień trybu osuszania (patrz rozdział 20.4).

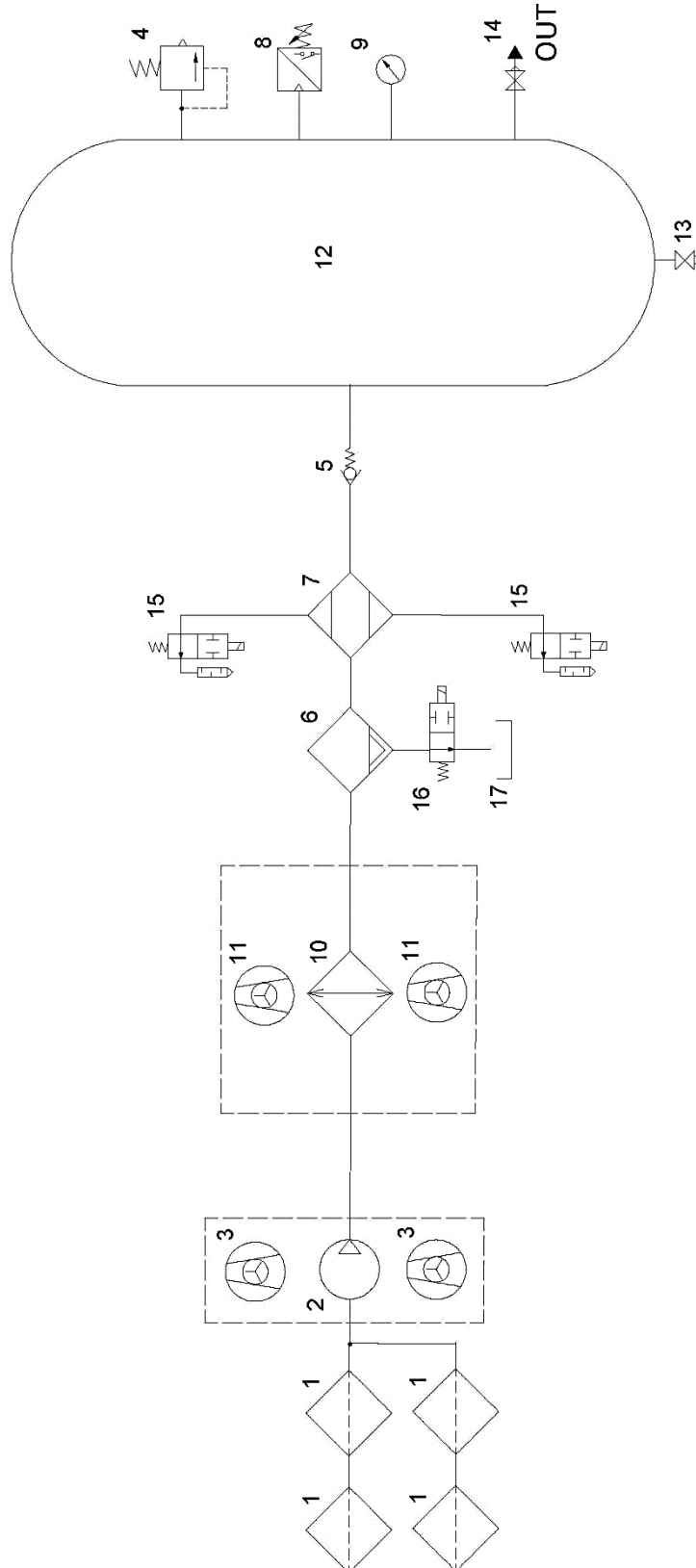


Sprężarka nie jest wyposażona w zapasowe źródło zasilania.

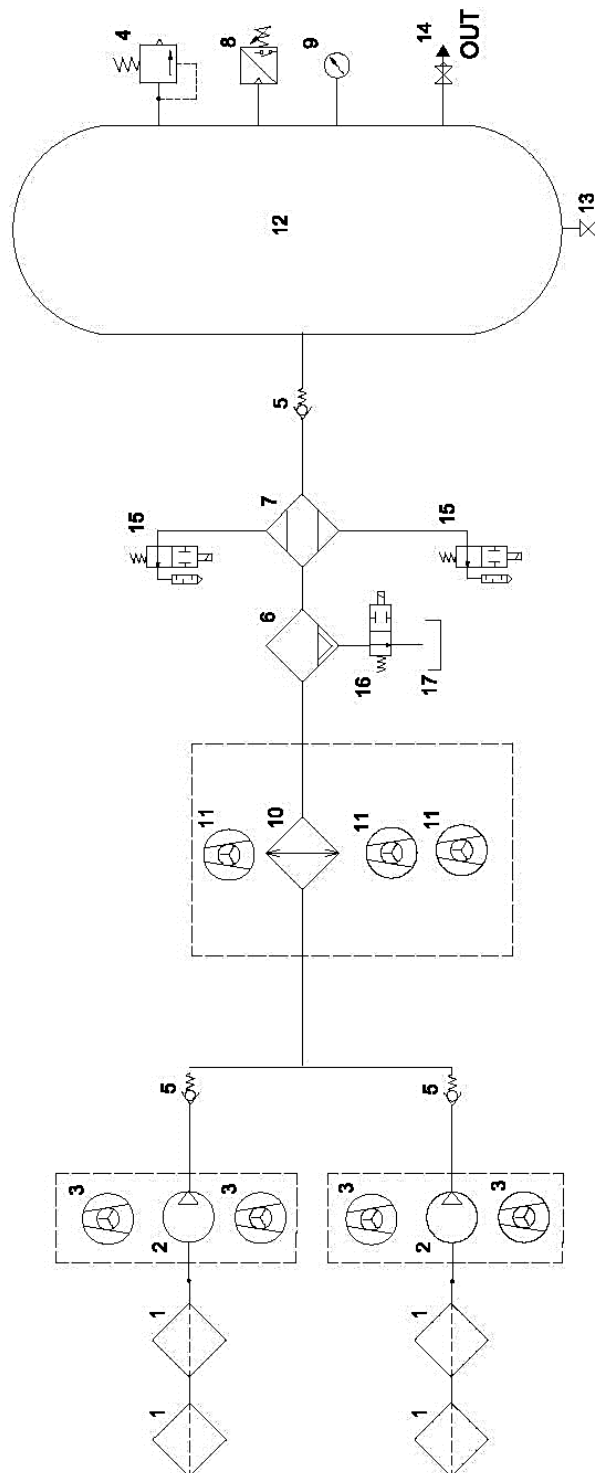
16. SCHEMATY PNEUMATYCZNE I ELEKTRYCZNE

16.1. Schemat pneumatyczny

DK50 4V/50/M



DK50 2x4VR/110/M



Opis schematu pneumatycznego:

- | | | | |
|---|----------------------|----|--|
| 1 | Filtr wlotowy | 10 | Chłodnica |
| 2 | Sprężarka | 11 | Wentylator chłodnicy |
| 3 | Wentylator | 12 | Zbiornik powietrza |
| 4 | Zawór bezpieczeństwa | 13 | Zawór spustu kondensatu |
| 5 | Zawór zwrotny | 14 | Zawór wyjściowy |
| 6 | Separator kondensatu | 15 | Regeneracyjny zawór elektromagnetyczny |
| 7 | Osuszacz | 16 | Elektrozawór spustu kondensatu |
| 8 | Łącznik ciśnieniowy | 17 | Naczynie na kondensat |
| 9 | Ciśnieniomierz | | |

16.2. Schematy elektryczne

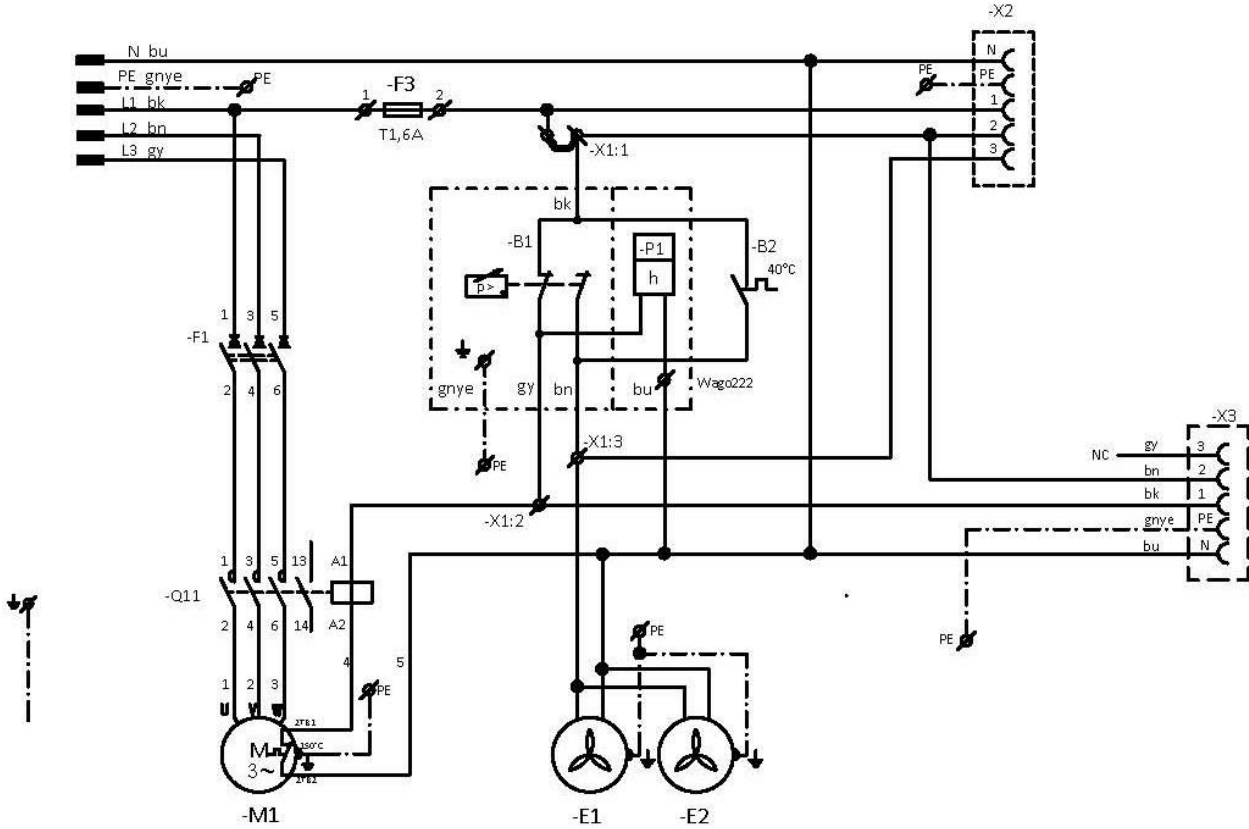
DK50 4VR/50/M

6 - 8 barów

3/N/PE-400V, 50Hz

Sieć TN-S [TN-C-S]

PRODUKT ELEKTRYCZNY KLASY 1.



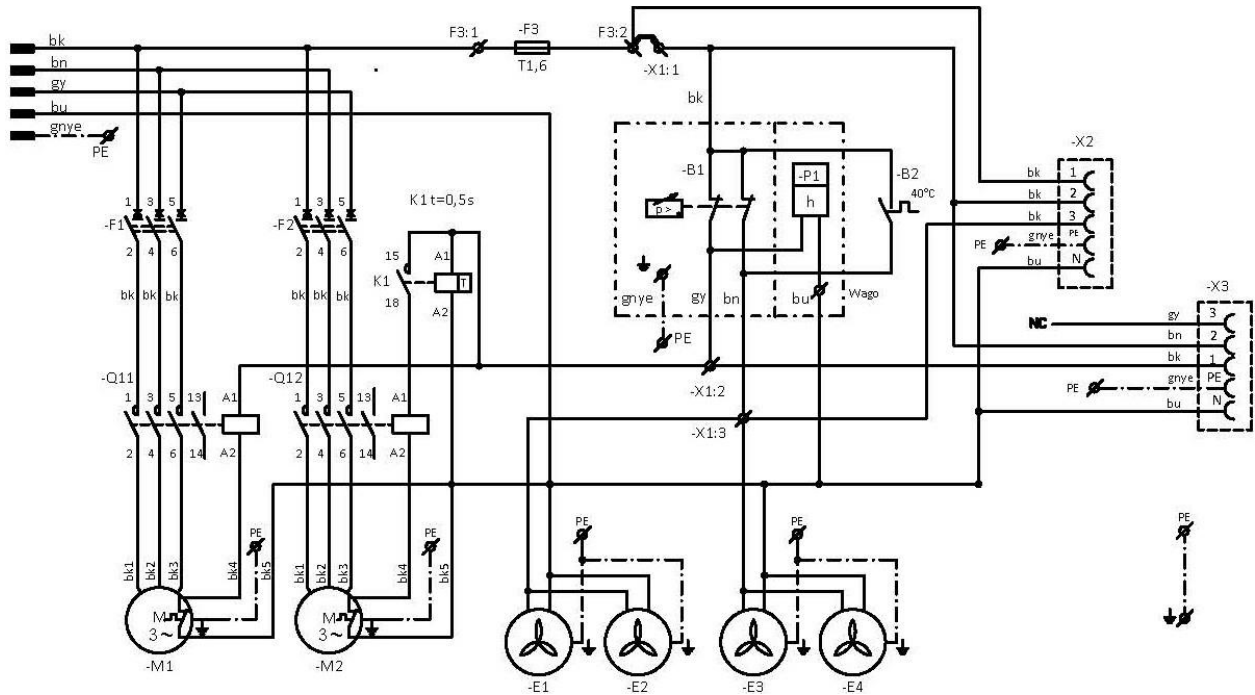
DK50 2x4VR/110/M

6 - 8 barów, 8 – 10 barów

3/N/PE~400V, 50Hz

Sieć TN-S [TN-C-S]

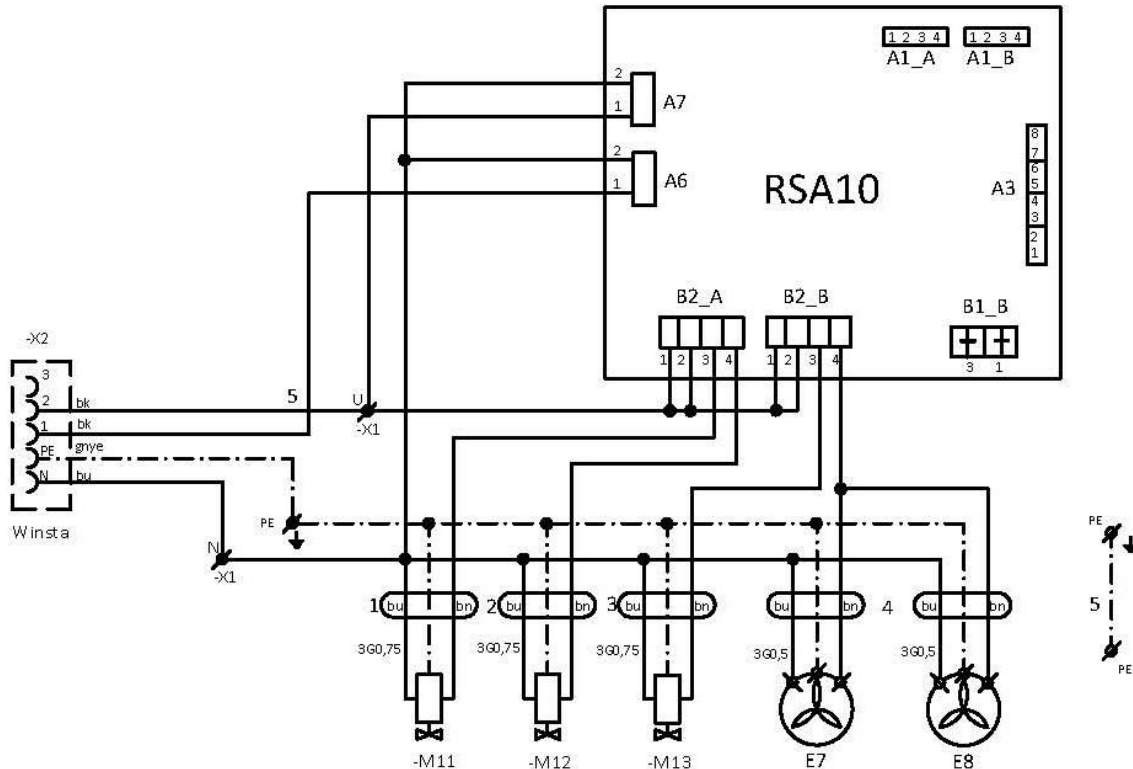
PRODUKT ELEKTRYCZNY KLASY 1.



AD 280EK

1/N/PE ~ 230V,50Hz, 230V,60Hz

PRODUKT ELEKTRYCZNY KLASY 1.

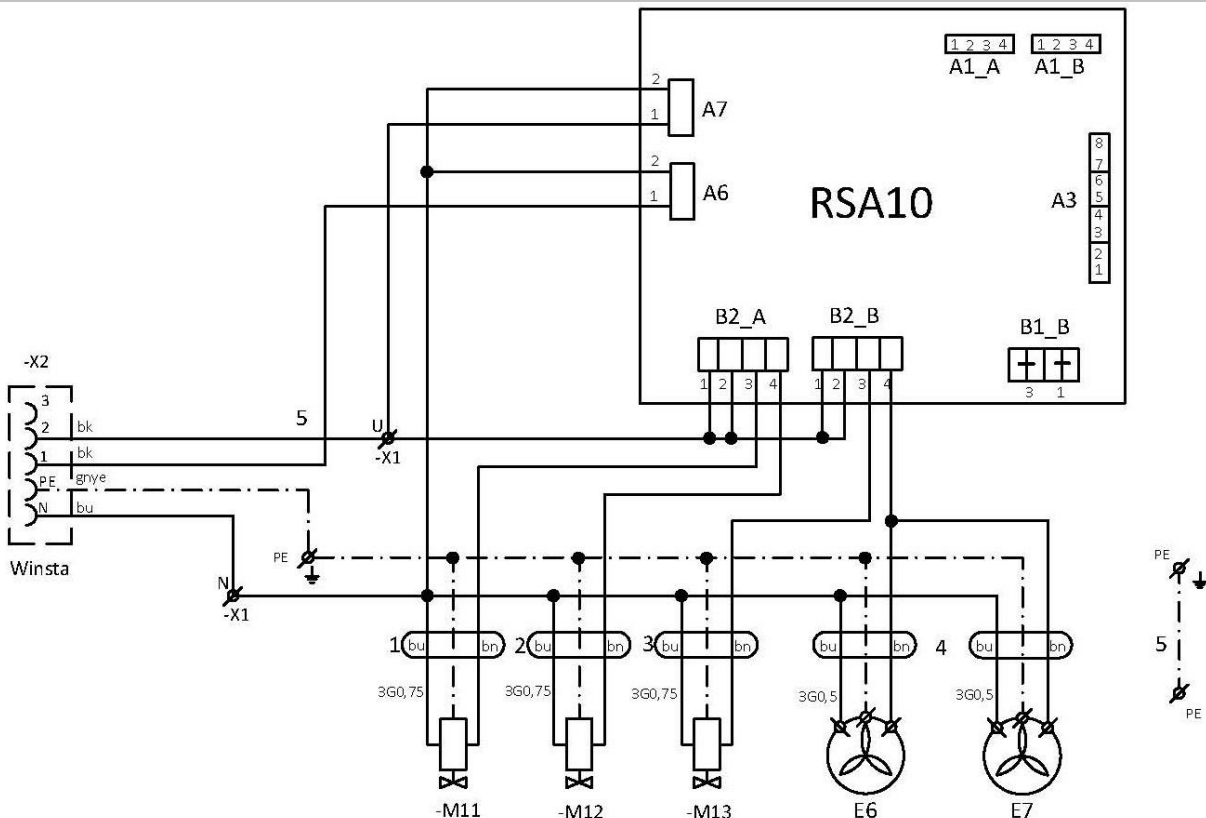


AD500

1/N/PE~230V, 50/60Hz

~120V, 60Hz

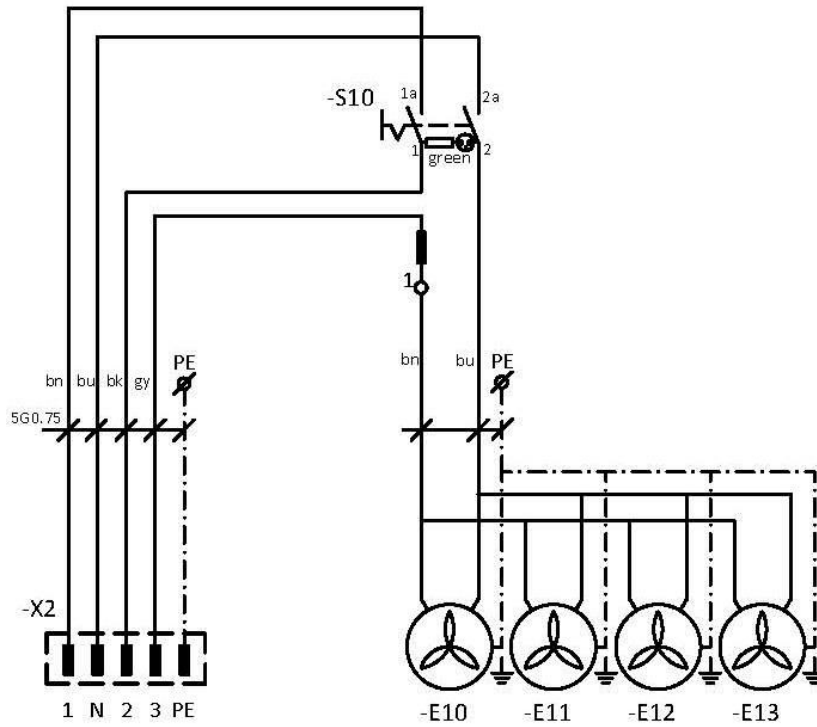
PRODUKT ELEKTRYCZNY KLASY 1.



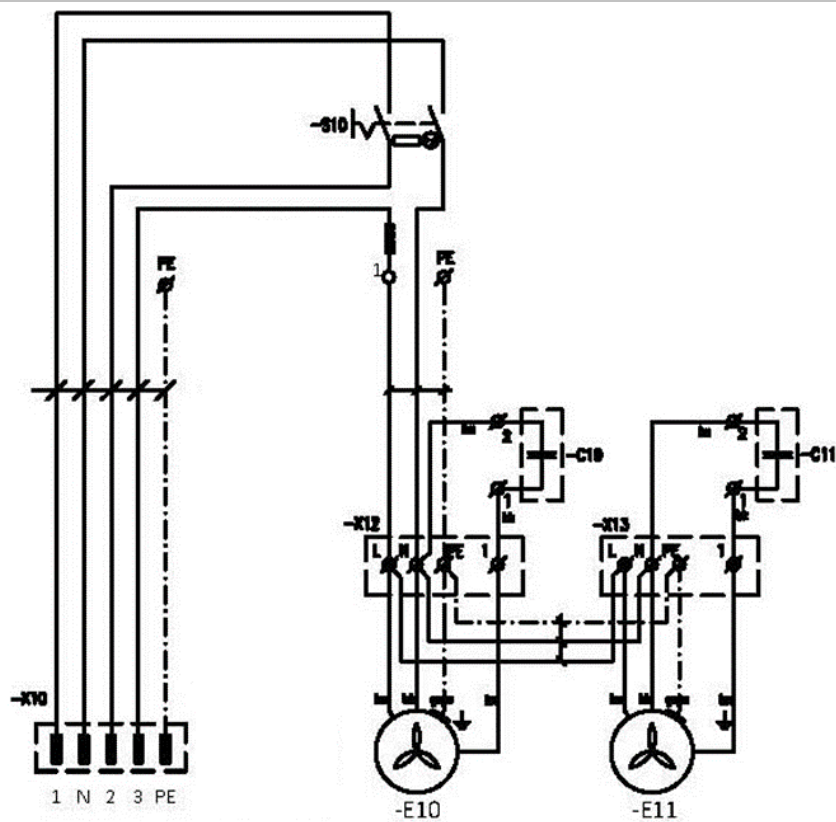
Obudowa sprężarki

1/N/PE ~ 230V 50/60Hz

PRODUKT ELEKTRYCZNY KLASY 1.



DK50 4VR/50 S/M



DK50 2x4VR/110 S/M

Opis schematów elektrycznych:

M1, M2	Silnik sprężarki	X2	Złącze
E1 – E4	Wentylator sprężarki	X3	Gniazdo wskaźnika serwisowego
F3	Bezpiecznik	S10	Przełącznik
F1, F2	Przerywacz	X10, X11	Złącze
B1	Przełącznik ciśnieniowy	E10 - E13	Wentylator obudowy
B2	Przełącznik temperaturowy	E6-E8	Wentylator osuszacza
Q11,12	Stycznik	M11, M12	Elektrozawór – regeneracja
K1	Przełącznik czasowy	M4	Elektrozawór nadmiarowy
P1	Licznik czasu	RSA 10	Sterownik
X1	Listwa zaciskowa		

OBSŁUGA

URZĄDZENIE MOŻE OBSŁUGIWAĆ TYLKO PRZESZKOLONY PERSONEL.



Ryzyko porażenia prądem elektrycznym.

W sytuacji awaryjnej należy odłączyć sprężarkę od sieci zasilającej (wyjąć wtyczkę z gniazda).



Ryzyko poparzenia lub pożaru.

W trakcie działania sprężarki części agregatu i elementy zawierające sprężone powietrze między osuszaczem i chłodnicą powietrza mogą być nagrzane i niebezpieczne dla ludzi i rzeczy.



Ostrzeżenie — sprężarki jest sterowany automatycznie.

Automatyczne uruchomienie: kiedy ciśnienie w zbiorniku ciśnieniowym spadnie poniżej ciśnienia włączającego, sprężarka automatycznie się włączy. Kiedy ciśnienie w zbiorniku powietrza osiągnie wartość wyłączającą, sprężarka automatycznie się wyłączy.



Możliwość uszkodzenia części pneumatycznych.

Nie należy zmieniać fabrycznych ustawień ciśnienia roboczego przełącznika ciśnieniowego. Praca sprężarki pod ciśnieniem poniżej wartości przełączenia wskazuje na duże zużycie powietrza (patrz rozdział Rozwiązywanie problemów).



Wymagają skuteczność suszenia można uzyskać tylko w podanych warunkach działania.

Skuteczność suszenia i punkt rosy spadnie, jeśli osuszacz będzie działał pod ciśnieniem poniżej minimalnej wartości roboczej.



W trakcie działania sprężarki temperatura wokół niej może wzrosnąć do ponad 40°C. W tym momencie nastąpi automatyczne załączenie wentylatora chłodzącego. Wentylator wyłączy się, gdy temperatura otoczenia spadnie do około 32°C.

17. WŁĄCZANIE SPRĘŻARKI

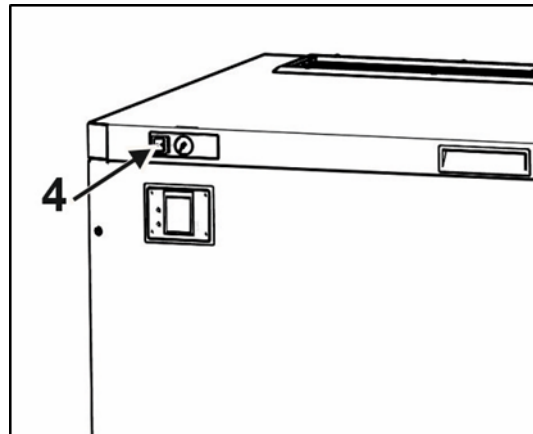
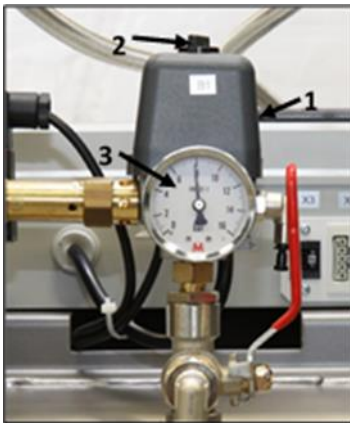
Uruchom sprężarkę (bez obudowy) przy przełączniku ciśnienia (1), ustawiając przełącznik (2) w pozycji „I”. Spowoduje to uruchomienie sprężarki i napełnienie zbiornika do ciśnienia odcięcia, które spowoduje wyłączenie sprężarki.

Uruchom sprężarkę (z obudową) przy przełączniku (4) z przodu obudowy. Zapali się zielona lampka. Nastąpi uruchomienie sprężarki i napełnienie zbiornika do ciśnienia odcięcia, które spowoduje wyłączenie sprężarki.

Sprężarka działa w trybie automatycznym i jest włączana i wyłączana przez przełącznik ciśnieniowy w zależności od stopnia zużycia sprężonego powietrza.

Sprawdź wartości ciśnienia załączania i wyłączania na ciśnieniomierzu (3). Tolerancja w zakresie $\pm 10\%$ jest akceptowalna. Ciśnienie w zbiorniku powietrza nie może przekraczać dozwolonego ciśnienia roboczego.

Rys. 23: Włączanie sprężarki



Ryzyko uszkodzenia elementów pneumatycznych.

Przełącznik ciśnieniowy (1) został ustawiony przez producenta i zmiany tych ustawień może dokonać wyłącznie wykwalifikowany technik przeszkolony przez producenta.

18. WYŁĄCZANIE SPRĘŻARKI

- Wyłączenia sprężarki w celu przeprowadzenia prac serwisowych lub z jakiegokolwiek innego powodu należy dokonać przy użyciu przełącznika ciśnieniowego (1), przekręcając przełącznik (2) do pozycji „0” (Rys. 23), i **przez wyjęcie wtyczki z gniazda sieciowego**. To spowoduje odłączenie sprężarki od zasilania.
- Spuść powietrze ze zbiornika powietrza, otwierając zawór spustowy.

OSUSZACZ AD

19. ZASADA DZIAŁANIA

Osuszacz jest sterowany przez sygnał z przełącznika ciśnieniowego sprężarki.

Powietrze pobierane przez osuszacz trafia pod ciśnieniem do chłodziarki, gdzie zostaje schłodzone i część skondensowanej wilgoci zostaje oddzielona w zintegrowanym separatorze cyklicznym. Na dole separatora znajduje się zawór elektromagnetyczny V3, który spuszcza kondensat w regularnych odstępach czasu.

Następnie powietrze przechodzi do komory zaworu logicznego OR1, który wykrywa ciśnienie. Jeśli ciśnienie w komorze zaworu nie ma wartości $P1 = 3$ bary, regeneracyjne zawory elektromagnetyczne V1 i V2 (typ normalnie zamknięty) pozostają zamknięte i regeneracja nie zostaje włączona. Gdy ciśnienie w komorze zaworu logicznego przekroczy 3 bary, następuje przełączenie komory przy użyciu logiki opisanej w punkcie 19.1.

Kiedy sygnał z przełącznika ciśnieniowego kompresora znika, następuje otwarcie na krótko zaworów regeneracyjnych V1 i V2 w celu wywietrzenia agregatu sprężarki i komory osuszacza.

Odpowietrzanie i regeneracja osuszacza odbywają się przez wąż dzielony z odpływem separatora kondensatu i dlatego wylot kondensatu nie może być podłączony bezpośrednio do odpływu.

19.1. Regeneracja osuszacza

Regeneracja osuszacza załącza się, gdy ciśnienie P1 osiągnie wartość 3. W trakcie regeneracji zawory V1 i V2 przełączają się cyklicznie, w wyniku czego powstaje krótkie opóźnienie (dT) na wyrównanie ciśnień w komorach. W tym czasie oba zawory są zamknięte, po czym następuje rozpoczęcie kolejnego cyklu przełączania.

Ciśnienie robocze jest w komorze 1 i komora ta znajduje się w fazie osuszania. Natomiast w komorze 2 jest ciśnienie atmosferyczne i komora ta znajduje się w fazie regeneracji. Regeneracja komory odbywa się dzięki przepływowi powietrza przez dyszę osuszacza.

19.2. Tryb oszczędzania energii „Energy saving“ (tylko modele z czujnikiem punktu rosy)

Osuszacze wyposażone w czujnik punktu rosy mają dodatkowy mechanizm kontroli powietrza oczyszczającego, który pozwala im utrzymać zadany punkt rosy.

Po uzyskaniu zdefiniowanego punktu rosy regeneracja zostaje zatrzymana, aby zoptymalizować ilość powietrza oczyszczającego. Po zatrzymaniu regeneracji zawory V1 i V2 zostają zamknięte (w wyniku czego następuje zatrzymanie oczyszczania komory suchym powietrzem).

Zawory te kontynuują swój standardowy cykl przełączania, aby wyrównać obciążenie komór.

Gdy punkt rosy wzrasta, następuje wyłączenie trybu oszczędzania energii „Energy saving“ i osuszacz dalej działa z włączoną regeneracją.

Czas trwania dezaktywowanego trybu regeneracji

Tryb oszczędzania energii „Energy saving” z wyłączoną regeneracją jest ograniczony czasowo. Po zakończeniu zdefiniowanego interwału (4 przełączenia komory) zostaje dodany jeden cykl ze standardową regeneracją obu komór.

19.3. System alarmowy

60601-1-8. Każdy alarm jest sygnalizowany specjalnym znakiem wizualnym (patrz rozdział 22), który miga. W razie awarii zadzwoń do autoryzowanego serwisu, aby zamówić naprawę.

Stany alarmowe oznaczają potencjalną awarię urządzenia. Dlatego nie można dezaktywować sygnałów alarmowych.

Wszystkie sygnały alarmowe są przejściowe – kiedy znika przyczyna, następuje ich dezaktywacja.

Pozycja operatora. Nie jest wymagana żadna konkretna pozycja operatora. Operator może pozostać w zasięgu wizualnego sygnału ostrzegawczego w zależności od rzeczywistych warunków pracy.

Niskie ciśnienie. Ten sygnał jest aktywny, gdy czujnik ciśnienia osuszacza odczytuje ciśnienie w osuszaczu poniżej zdefiniowanego poziomu 3 barów. Ten alarm podczas pracy może wywołać wyciek powietrza ze sprężarki/osuszacza, awaria elektromagnetycznych zaworów sterujących osuszacza lub błąd oprogramowania.

Wysokie ciśnienie. Ten sygnał jest aktywny, gdy czujnik ciśnienia osuszacza odczytuje wzrost ciśnienia powyżej górnej granicy. Wówczas agregat się wyłącza i pozostaje wyłączony do momentu spadku ciśnienia. Jeżeli agregat nie wyłącza się, nadmiar ciśnienia jest usuwany przez zawór bezpieczeństwa na zbiorniku powietrza sprężarki.

Wysoki punkt rosy. Ten sygnał jest aktywny, gdy czujnik punktu rosy odczytuje wysoką wartość punktu rosy.

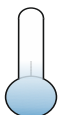
Upłynięcie okresu serwisowego. Ten sygnał jest aktywny do czasu wykonania przeglądu i wyzerowania okresu lub wprowadzenia nowego okresu serwisowego.

20. INTERFEJS UŻYTKOWNIKA / USTAWIENIA

20.1. Znaczenie symboli pojawiających się na wyświetlaczu



Symbol reprezentujący instrukcję obsługi lub polecający przeczytanie instrukcji obsługi.



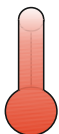
Symbol wyrażający temperaturę otoczenia (od 25°C) związany z wybranym trybem.

Program reguluje wstępne napełnianie komory w danym trybie.



Symbol wyrażający temperaturę otoczenia (od 25°C do 30°C) związany z wybranym trybem.

Program reguluje wstępne napełnianie komory w danym trybie.



Symbol wyrażający temperaturę otoczenia (powyżej 30°C) związany z wybranym trybem.

Program reguluje wstępne napełnianie komory w danym trybie.



Powrót do menu głównego na 4 głównych ekranach.



Powrót



Symbol okresu przeglądowego



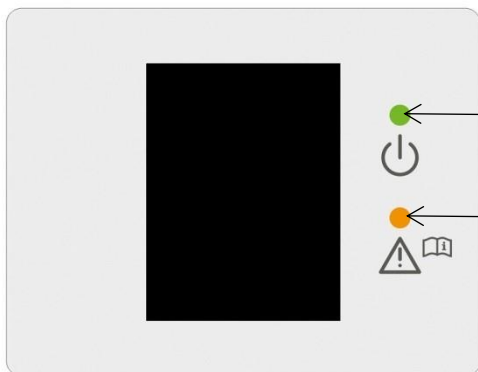
Symbol oznaczający, że trwa regeneracja komory osuszacza



Symbol oznaczający, że trwa osuszanie w komorze osuszacza



Symbol oznaczający wstępne napełnienie komory – wyrównanie ciśnienia w komorach.

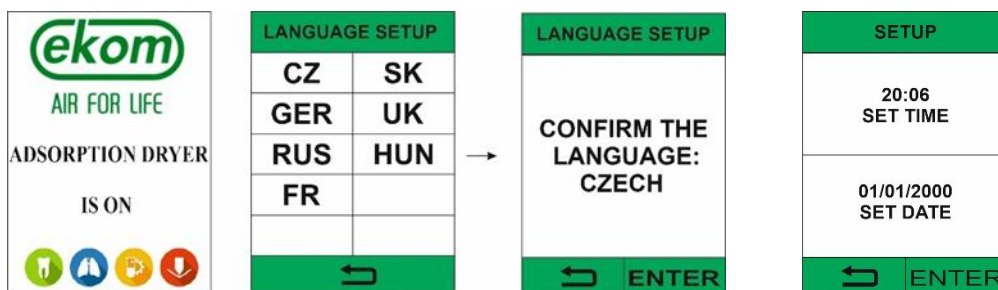


Wskazanie, że urządzenie działa

Wskazanie stanu alarmowego
(włączony przez cały czas trwania stanu alarmowego)

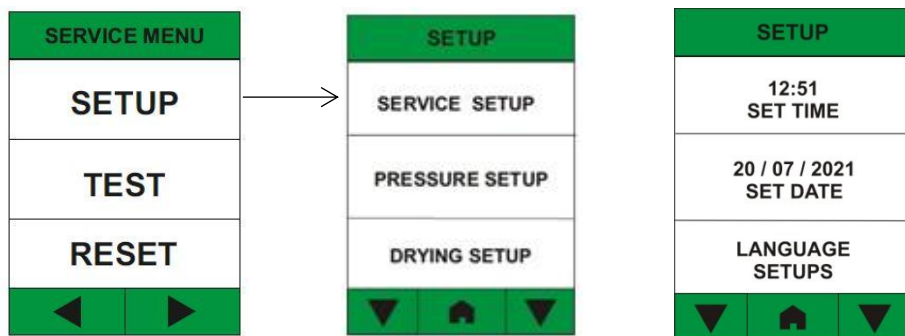
20.2. Początkowe ustawienia interfejsu użytkownika

Po pierwszym uruchomieniu programu pojawią się opcje wyboru języka oraz ustawienia godziny i daty. Podczas instalacji serwisant ustawia język, godzinę i datę na podstawie geograficznego położenia instalowanego osuszacza. Program zapisuje i zapamiętuje to ustawienie. Opcja ta nie pojawia się przy ponownym uruchomieniu programu. Zatwierdzenie tej opcji spowoduje rozpoczęcie odliczania godzin pracy.



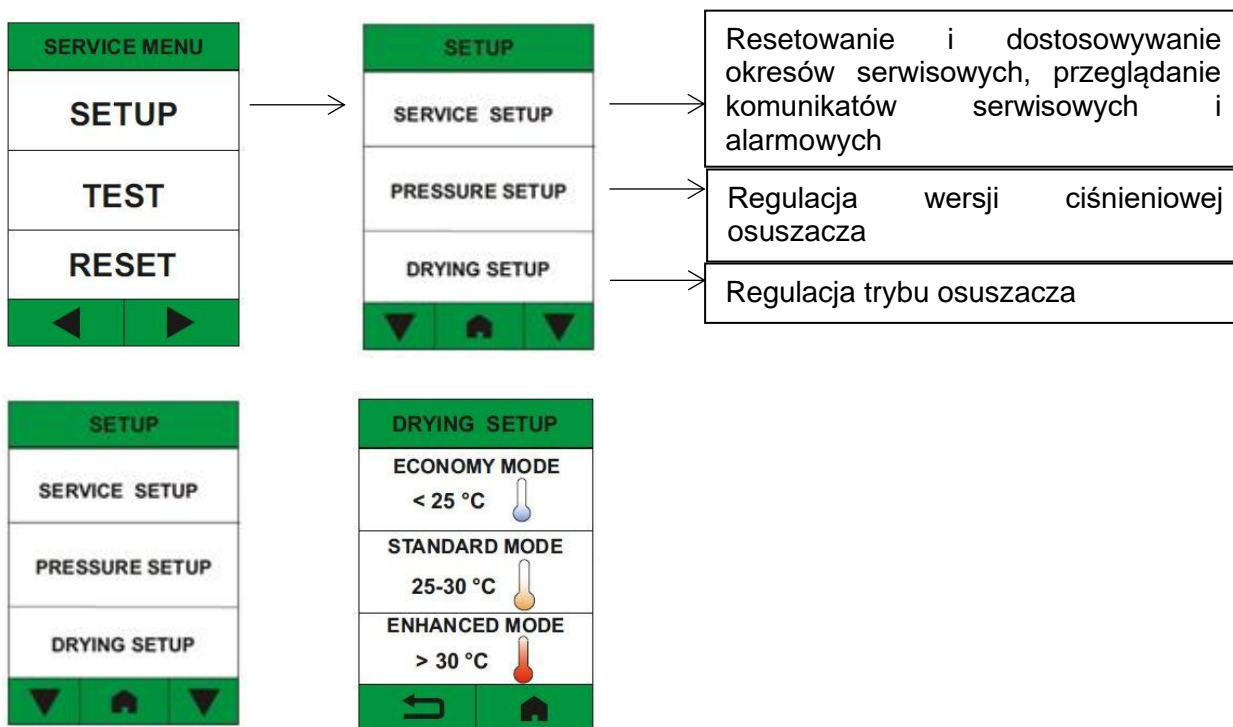
20.3. Ustawianie daty i godziny podczas uruchamiania

Zaleca się ustawienie daty i godziny podczas uruchamiania. Ustawienia te zmienia się w menu serwisowym w sekcji USTAWIENIA. Dostęp do menu serwisowego jest chroniony kodem (1992). W menu USTAWIENIA należy dotknąć strzałki w dół, aby ustawić datę i godzinę. W ten sam sposób można zresetować język interfejsu użytkownika poprzez USTAWIENIA JĘZYKA.



20.4. Ustawianie trybu suszenia podczas uruchamiania

Zaleca się ustawienie trybu suszenia powietrza podczas uruchamiania. Ustawienia te zmienia się w menu serwisowym w sekcji USTAWIENIA SERWISOWE. Dostęp do menu serwisowego jest chroniony kodem.



Tryb suszenia ustawia się na podstawie oczekiwanego zakresu ciśnień, w jakim urządzenie będzie pracować, oraz wersji sprężarki (z obudową lub bez).

- sprężarka bez obudowy $t_0 < 25\text{ °C}$ – ustawić na tryb EKONOMICZNY (ECONOMY)
- sprężarka bez obudowy $t_0 = 25\text{ °C} - 30\text{ °C}$ – ustawić na tryb STANDARD (STANDARD)
- sprężarka bez obudowy $t_0 > 30\text{ °C}$ – ustawić na tryb ROZSZERZONY (ENHANCED)
- sprężarka w obudowie – ustawić na tryb ROZSZERZONY (ENHANCED)

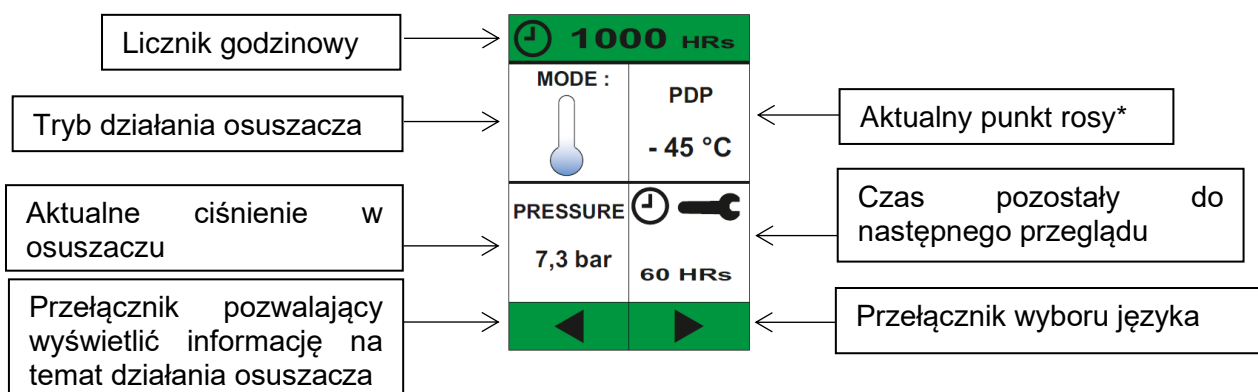
t_0 - temperatura otoczenia

21. EKRANY GŁÓWNE

Po ustawieniu języka interfejsu użytkownika zostaje otwarty ekran podstawowy. Z niego można uzyskać dostęp do czterech ekranów głównych.

Do przechodzenia między tymi ekranami służą strzałki na dole ekranu.

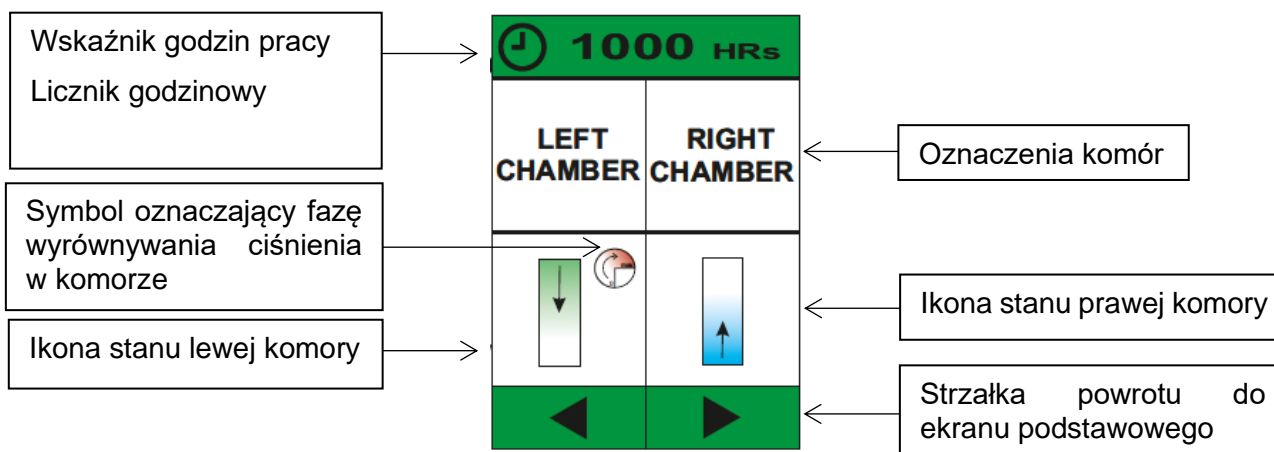
21.1. Ekran główny



(* Te informacje są pokazywane tylko przez sprężarki wyposażone w czujnik punktu rosy)

- Na ekranie podstawowym osuszacza znajdują się podstawowe informacje i parametry. Wskaźnik godzin pracy osuszacza znajduje się u góry ekranu. Na ekranie podstawowym znajdują się 4 kafelki, które wyświetlają następujące informacje:
- Tryb działania osuszacza (zobacz rozdział 20.1)
- Aktualne ciśnienie w osuszaczu (min. ciśnienie robocze wyłączające regenerację wynosi 3 bary)
- Aktualny ciśnieniowy punkt rosy (dotyczy tylko sprężarek wyposażonych w czujnik punktu rosy)
- Czas pozostały do następnego przeglądu (zobacz rozdział 22.1, 22.2 – okresy przeglądowe).

21.2. Ekran działania osuszacza



Wskaźnik godzin pracy osuszacza znajduje się u góry ekranu. Ekran działania osuszacza także jest podzielony na cztery kafelki przedstawiające cykle robocze komory osuszacza za pomocą graficznej ilustracji stanów działania każdej komory.



Symbol oznaczający, że trwa regeneracja komory osuszacza

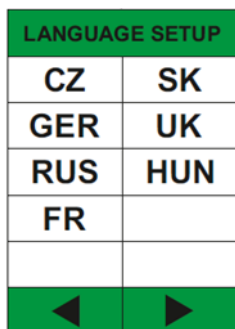


Symbol oznaczający, że trwa osuszanie w komorze osuszacza



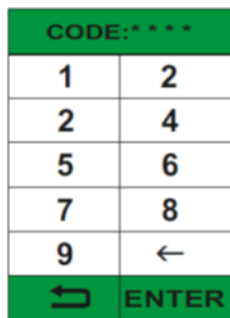
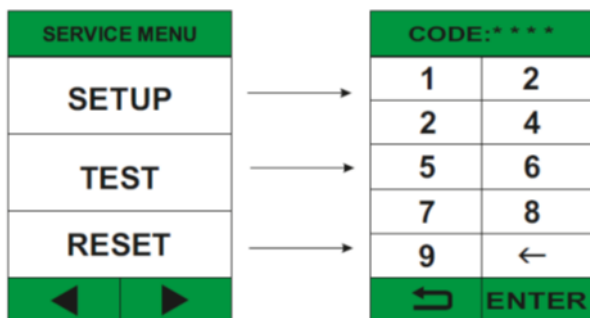
Symbol oznaczający wstępne napełnienie komory — wyrównanie ciśnienia w komorach.

21.3. Ekran ustawień języka



Ekran ustawień języka to jeden z ekranów głównych.

21.4. Ekran menu serwisowego



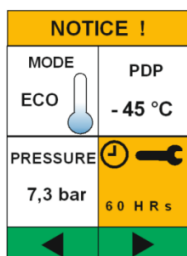
Menu serwisowe jest przeznaczone wyłącznie dla serwisantów. Dostęp do jego poszczególnych pozycji jest zabezpieczony hasłem (1992).

22. OZNACZENIA STANÓW KONSERWACJI I ALARMU

Sterownik osuszacza adsorpcyjnego może monitorować wybrane parametry (ciśnienie i ciśnieniowy punkt rosy w wersjach z czujnikiem punktu rosy) oraz umożliwia przeglądanie podstawowych stanów działania osuszacza.

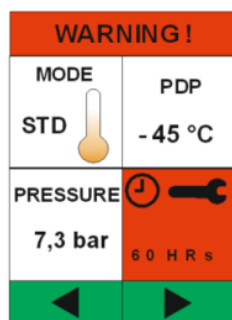
Na podstawie wartości parametrów i danych serwisowych sterownik wyświetla informacje dotyczące usterek w postaci następujących powiadomień i ostrzeżeń.

22.1. Powiadomienie – zbliżający się przegląd



- 100 godzin pracy do następnego przeglądu – **żółte powiadomienie „Uwaga!” („Notice!”)** Kafelek przeglądu zmienia kolor na pomarańczowy.
- Ponadto zostaje wyświetlona liczba godzin do następnego przeglądu.
- Ostrzeżenie jest wyświetlane aż zostanie przeprowadzony przegląd i okres przeglądu zostanie zresetowany.

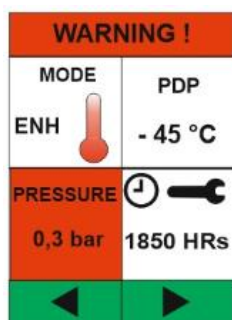
22.2. Ostrzeżenie – minął termin przeglądu



- Czerwone ostrzeżenie „Ostrzeżenie!” („Warning!”) pojawia się po upływie terminu przeglądu. Kafelek przeglądu zmienia kolor na czerwony.
- Ostrzeżenie jest wyświetlane aż zostanie przeprowadzony przegląd i okres przeglądu zostanie zresetowany.
- Ponadto zostaje wyświetlona liczba godzin do następnego przeglądu.
- Lista ostrzeżeń zostaje zapisana w „Dzienniku ostrzeżeń” („Warning log.)”
- Suszarka nadal działa normalnie

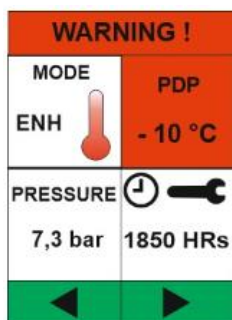
22.3. Warunki alarmowe

Wysokie/niskie ciśnienie



- To ostrzeżenie może się pojawić tylko na osuszaczach z czujnikami punktu rosy
- Czerwone ostrzeżenie zostaje wyświetlone „Ostrzeżenie!” („Warning!”) w przypadku wykrycia wysokiego punktu rosy (powyżej -20°C lub -40°C w zależności od wersji osuszacza). Jednocześnie kafelek aktualnego ciśnieniowego punktu rosy zmienia kolor na czerwony.
- Ostrzeżenie jest widoczne przez cały czas utrzymywania się warunków alarmowych.
- Lista ostrzeżeń zostaje zapisana w „Dzienniku ostrzeżeń” („Warning log.)”
- Osuszacz nie pracuje normalnie, regeneracja nie jest rozpoczęta, sprężarka musi zostać wyłączona.

Wysoki punkt rosy

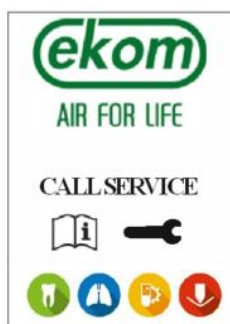


- To ostrzeżenie może się pojawić tylko na osuszaczach z czujnikami punktu rosy
- Czerwone ostrzeżenie zostaje wyświetlone „Ostrzeżenie!” („Warning!”) w przypadku wykrycia wysokiego punktu rosy (powyżej -20°C lub -40°C w zależności od wersji osuszacza). Jednocześnie kafelek aktualnego ciśnieniowego punktu rosy zmienia kolor na czerwony.
- Ostrzeżenie jest widoczne przez cały czas utrzymywania się warunków alarmowych.
- Lista ostrzeżeń zostaje zapisana w „Dzienniku ostrzeżeń” („Warning log.)”
- Osuszacz nie działa prawidłowo lub jest używany poza zalecanymi warunkami użytkowania, należy wyłączyć sprężarkę.



Od pierwszego uruchomienia może upłynąć do 50 godzin, zanim sprężarka osiągnie wymagany punkt rosy. W tym czasie ostrzeżenie o wysokim punkcie rosy nie jest wyświetlane. Jeśli osuszacz nie może osiągnąć zadanego punktu rosy, należy skontaktować się z serwisem.

22.4. Ekran wezwania serwisu „Call Service”



- Ekran wezwania serwisu „Call Service” pojawia się naprzemiennie z ekranem głównym w przypadku, gdy pojawi się powiadomienie lub ostrzeżenie.

KONSERWACJA PRODUKTU**23. KONSERWACJA PRODUKTU**

Operator powinien zapewnić okresowe przeglądy urządzenia co najmniej raz na 24 miesiące (EN 62353) lub w odstępach czasu określonych przez obowiązujące krajowe przepisy prawne. Należy wypełnić protokół z tych wyników badań (np. EN 62353, załącznik G) wraz z metodami pomiarowymi.

Urządzenie zaprojektowano i wyprodukowano w taki sposób, aby ograniczyć ilość konserwacji do minimum. Aby zapewnić prawidłowe i niezawodne działanie sprężarki, należy przestrzegać poniższych zaleceń.



Interwencja niepowołanych osób — zagrożenie.

Prace naprawcze poza standardowymi czynnościami konserwacyjnymi (patrz rozdział 23.1) mogą być przeprowadzane wyłącznie przez wykwalifikowanego technika (organizację autoryzowaną przez producenta) lub serwis producenta.

Standardowe czynności konserwacyjne (patrz rozdział 23.1) mogą być przeprowadzane wyłącznie przez przeszkolony personel operatora.

Należy używać wyłącznie części zamiennych i akcesoriów zatwierdzonych przez producenta.



Niebezpieczeństwo zranienia lub uszkodzenia sprzętu.

Przed rozpoczęciem prac konserwacyjnych przy sprężarce należy:

- sprawdzić, czy da się odłączyć sprężarkę od urządzenia, aby uniknąć ryzyka zranienia osoby korzystającej z tego urządzenia lub uszkodzenia materiałów;
- wyłączyć sprężarkę;
- odłączyć ją od sieci, wyjmując wtyczkę przewodu zasilania z gniazda;
- spuścić sprężone powietrze ze zbiornika powietrza.



Wypuszczanie sprężonego powietrza stwarza ryzyko zranienia.

Podczas spuszczenia sprężonego powietrza z obwodu wysokociśnieniowego (zbiornika powietrza) należy mieć założone okulary ochronne.



Ryzyko poparzenia.

W trakcie działania sprężarki i krótko po jej wyłączeniu niektóre części pompy powietrza, układ pneumatyczny, części osuszacza i węże połączeniowe między sprężarką i osuszaczem mogą być gorące. Nie należy ich dotykać.



Uziemienie odłączone na czas prac serwisowych należy podłączyć z powrotem po ich zakończeniu.

- W celu przeprowadzenia prac konserwacyjnych lub naprawczych sprężarkę można wyjąć z obudowy (wyciągając ją na kółkach na odległość, na jaką pozwala przewód łączący sprężarkę z obudową). (patrz rozdz. 23) Następnie można przeprowadzić prace naprawcze lub konserwacyjne.
- Jeżeli przewód łączący sprężarkę i obudowę odłączy się (nastąpi wypadnięcie wtyczki sieciowej, patrz rozdz. 13.2), sprężarka nie będzie działała. Aby przywrócić funkcjonalność sprężarki, należy wykonać czynności opisane w rozdz. 13.2, 23.8 lub 23.9.

23.1. Okresy konserwacyjne

Wykonawca	operator				wykwalifikowany technik				
Zestaw części zamiennych	-	-	-	-	-	-	-	-	025200139-000 025200150-000
Rozdz.	23.2	23.5	23.5	9	23.3	23.4	23.11	23.6	23.7
24 000 godz.									
20 000 godz.									
16 000 godz.									
12 000 godz.									x
10 000 godz.									
8 000 godz.									x
6 000 godz.									
4 000 godz.									x
2 000 godz.									
Raz na sześć lat									
Raz na cztery lata									
Raz na dwa lata									
Raz na rok					x	x	x	x	x
Raz na tydzień			x	x					
Raz dziennie	x	x							
Odstęp czasu	Kontrola działania produktu	Spuszczenie kondensatu ze zbiornika powietrza — przy wysokiej wilgotności	Spuszczenie kondensatu ze zbiornika powietrza — przy normalnej wilgotności	Kontrola funkcjonowania produktu	Sprawdzenie szczelności połączeń pneumatycznych i oględziny urządzenia	Oględziny połączeń elektrycznych	Kontrola chłodnicy i wentylatora	Kontrola zaworu bezpieczeństwa	Wymiana filtra wlotowego pompy i filtra wstępnego 4VR ^{a)}

a) dane są podane w godzinach, jeśli niedostępne, dane są w latach
b) po usterce osuszacza należy sprawdzić działanie zaworu nadmiarowego osuszacza
c) cokolwiek wystąpi pierwsze: 2 lata/10000 godzin
d) cokolwiek wystąpi pierwsze: 6 lata / 24000 godzin

Odstęp czasu	Wykonawca					Rozdz.
	wykwalifikowany technik					
Zestaw części zamiennych	-	603022493-000	603022485-000	069000317-000	025300117-000	-
24 000 godz.					x	23
20 000 godz.		x	x			Zobacz instrukcję serwisową
16 000 godz.				x		
12 000 godz.						
10 000 godz.		x	x			
8 000 godz.						
6 000 godz.						
4 000 godz.						
2 000 godz.						
Raz na sześć lat					x	
Raz na cztery lata				x		
Raz na dwa lata	x	x	x			x
Raz na rok						
Raz na tydzień						
Raz dziennie						
Kalibracja czujnika punktu rosy						
Wymiana kaset z adsorbentem Osuszacz AD 280 ^{c)}						
Wymiana kaset z adsorbentem Osuszacz AD 500 ^{c)}						
Wymiana logicznego zaworu kulowego osuszacza				x		
Wymiana zaworu elektromagnetycznego osuszacza ^{d)}					x	
Przeprowadzić „powtórny test” zgodnie z EN 62353						

a) dane są podane w godzinach, jeśli niedostępne, dane są w latach

b) po usterce osuszacza należy sprawdzić działanie zaworu nadmiarowego osuszacza

c) cokolwiek wystąpi pierwsze: 2 lata/10000 godzin

d) cokolwiek wystąpi pierwsze: 6 lata / 24000 godzin

23.2. Kontrola działania produktu

- Kontrola stanu agregatu — agregaty powinny działać normalnie, nie generując nadmiernych wibracji ani hałasu. W razie pojawienia się problemów należy je rozwiązać lub wezwać serwis.
- Wizualna inspekcja działania wentylatora — wentylatory powinny działać w trakcie działania agregatów. W razie pojawienia się problemów należy je rozwiązać lub wezwać serwis.
- Sprawdź, czy przewód zasilania i węże pneumatyczne nie są uszkodzone. Wymień uszkodzone części lub wezwij serwis.
- Sprawdź temperaturę otoczenia — powinna być niższa od dopuszczalnej wartości (40°C). Obniż temperaturę, jeśli jest za wysoka.
- Sprężarka z osuszaczem powietrza — otwórz korek w naczyniu zbiorczym kondensatu, aby spuścić kondensat.
- Sprawdź wskaźnik serwisu na wyświetlaczu i w razie potrzeby zaplanuj serwis.
- Sprawdź stan działania sprzętu (patrz rozdział 23.4).

23.3. Sprawdź szczelność połączeń węży pneumatycznych i przeprowadź inspekcję sprzętu

Sprawdzanie szczelności

- Sprawdź szczelność przewodów wysokociśnieniowych podczas działania sprężarki — ciśnienie wytwarzane przez sprężarkę.
- Sprawdź szczelność wszystkich złączy i połączeń za pomocą specjalnego przyrządu lub wody z mydłem. W razie wykrycia nieszczelności dociśnij lub ponownie uszczelnij połączenia.

Inspekcja sprzętu

- Sprawdź agregat sprężarki pod kątem normalnego działania i poziomu hałasu.
- Test działania wentylatora — wentylatory powinny działać w określonych cyklach pracy sprężarki.
- Sprawdź działanie przełącznika temperaturowego (B2) — podgrzej go do temperatury powyżej 40°C (np. za pomocą opalarki — nie poddawaj wysokiej temperaturze elementów plastikowych znajdujących się w pobliżu, ponieważ mogą one ulec zniekształceniu). Wentylator E1, E3 — sprężarka musi znajdować się pod napięciem.
- Sprawdź stan filtrów — filtry muszą być nieuszkodzone i czyste.
- Sprawdź stan pompy. Sprawdź, czy w skrzyni korbowej nie ma zanieczyszczeń i czy nie ma luzów na wale korbowym.
- W razie wykrycia usterek wymień wszystkie uszkodzone części.
- Wymień wszystkie uszkodzone części w razie potrzeby.
- Sprawdź zawory elektromagnetyczne w module zaworów — zawory powinny cyklicznie przechodzić między komorami zgodnie z opisem działania.
- Sprawdź stan działania sprzętu (patrz rozdział 23.4).

23.4. Oględziny połączeń elektrycznych



Ryzyko porażenia prądem elektrycznym.

Połączenie elektryczne produktu należy sprawdzać po odłączeniu od zasilania sieciowego.

- Sprawdź działanie przełącznika głównego pod względem mechanicznym.
- Sprawdź, czy przewód zasilania i przewodniki są nieuszkodzone.
- Skontroluj wizualnie, czy kable są podłączone do skrzynki zaciskowej.
- Sprawdź wszystkie połączenia śrubowe zielono-żółtego przewodu uziemiającego PE.

23.5. Spust kondensatu



Zmoczenie podłogi spowodowane wyciekami będzie stwarzało ryzyko poślizgnięcia.

Regularnie opróżniaj zbiornik kondensatu.

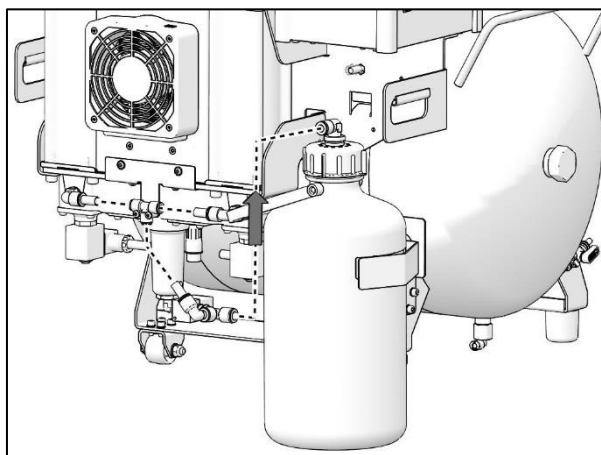


Wyłączyć sprężarkę za każdym razem przed opróżnieniem zbiornika!

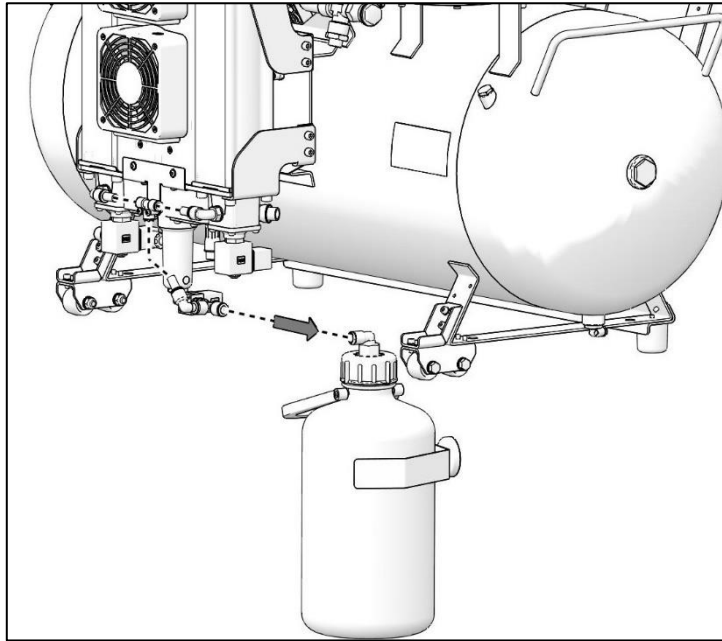
Kondensat ze sprężarek z osuszaczem powietrza jest automatycznie odprowadzany do Naczynie na kondensat.

- Poziom płynu w naczyniu należy monitorować za pomocą oznaczeń (w zależności od pojemności naczynia). Kondensat należy spuszczać przynajmniej raz dziennie.

Rys. 24: Sprawdź poziom kondensatu w naczyniu



DK50 4VR/50/M



DK50 2x4VR/110/M



Przed przeprowadzeniem następujących kontroli należy:

- Sprężarka z obudową — zwolnij blokadę i otwórz drzwiczki obudowy.

23.6. Kontrola zaworu bezpieczeństwa

- Przekręć śrubę (2) zaworu bezpieczeństwa (1) kilka razy w lewo, aż zawór bezpieczeństwa uwolni powietrze.
- Poczekaj kilka sekund, gdy powietrze będzie uchodzić przez zawór bezpieczeństwa.
- Przekręć śrubę (2) do końca w prawo. Zawór powinien być teraz zamknięty.



Rys. 25: Kontrola zaworu bezpieczeństwa



Uszkodzenie zaworu bezpieczeństwa może spowodować wzrost ciśnienia do niebezpiecznego poziomu.

Nigdy nie należy używać zaworu bezpieczeństwa, aby obniżyć ciśnienie w zbiorniku powietrza. Może to spowodować uszkodzenie zaworu bezpieczeństwa. Zawór jest fabrycznie ustawiony na maksymalne dozwolone ciśnienie.

Nigdy nie reguluj zaworu bezpieczeństwa.



Wypuszczanie sprężonego powietrza stwarza ryzyko zranienia.

Podczas sprawdzania zaworu bezpieczeństwa należy mieć założone okulary ochronne.

23.7. Wymiana filtra wlotowego pompy i filtra wstępnego

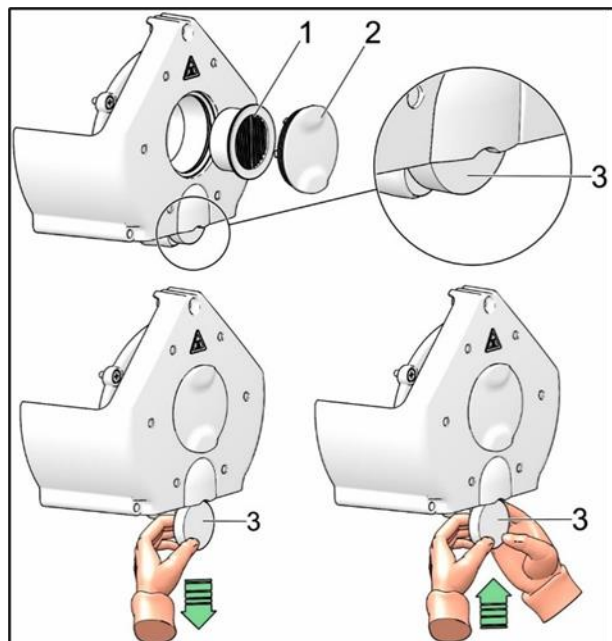
Filtr wlotowy (1) znajduje się pod pokrywą skrzyni korbowej agregatu.

Wymiana filtra wlotowego:

- Ręką wyjmij gumową zatyczkę (2).
- Wyjmij brudny filtr wlotowy (1).
- Włóż nowy filtr i z powrotem włóż zatyczkę gumową.

Wymiana filtra wstępnego:

- Ręką wyjmij filtr wstępny (3).
- Wymień filtr na nowy i włóż go na miejsce.



Rys. 26: Wymiana filtra wlotowego pompy i filtra wstępnego

23.8. Procedura podłączania sprężarki odłączonej od obudowy



Przed każdą naprawą bieżącą lub pracą remontową sprężarkę należy wyłączyć i odłączyć od sieci elektrycznej (przez wyciągnięcie wtyczki z gniazdka).

Aby sprężarka (bez obudowy) działała prawidłowo, przewód zawsze musi być przymocowany do listwy zaciskowej. (Rys. 27 poz. C,D,Rys. 28 poz. D)Wówczas zastępuje on przełącznik na obudowie.



Jeśli do listwy zaciskowej nie zostanie podłączony przewód sprężarki (odłączony od obudowy), sprężarka nie będzie działać!

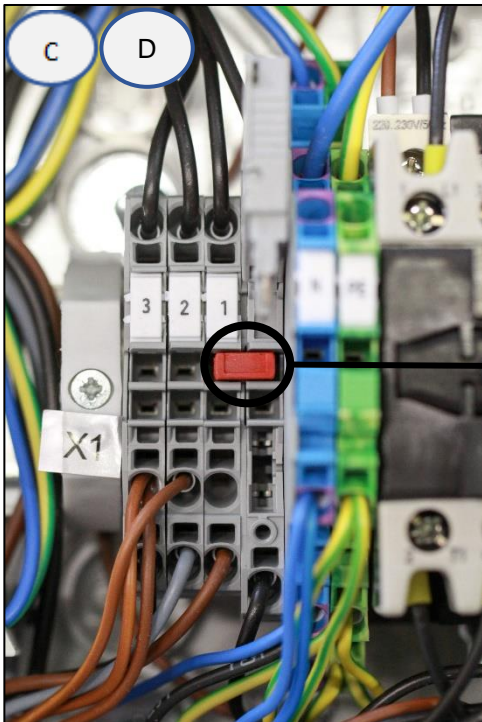
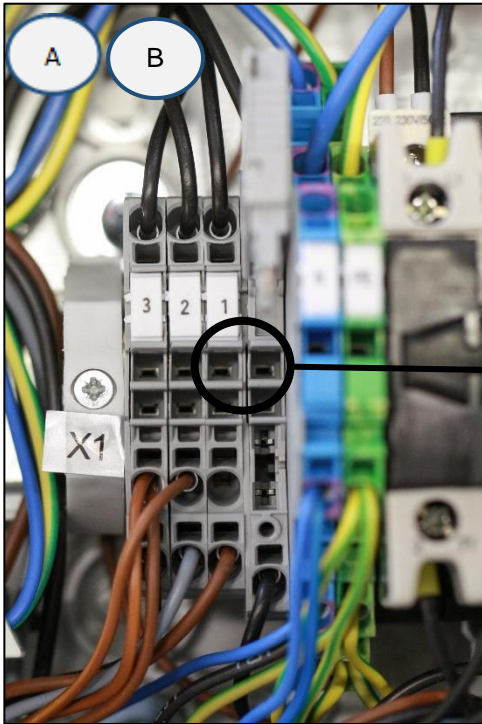
Jeżeli przewód łączący sprężarkę i obudowę zostanie odłączony (poprzez wyjęcie wtyczki sieciowej) i sprężarka zostanie wyjęta z obudowy, urządzenie nie będzie działać. Dlatego najpierw należy utworzyć połączenie z listwą zaciskową za pomocą przewodu (zastępując funkcje bezpiecznika). (Rys. 27 poz. A,B, Rys. 28 Poz. A)

PROCES:

Instalacja przewodu (proces A-B-C-D)

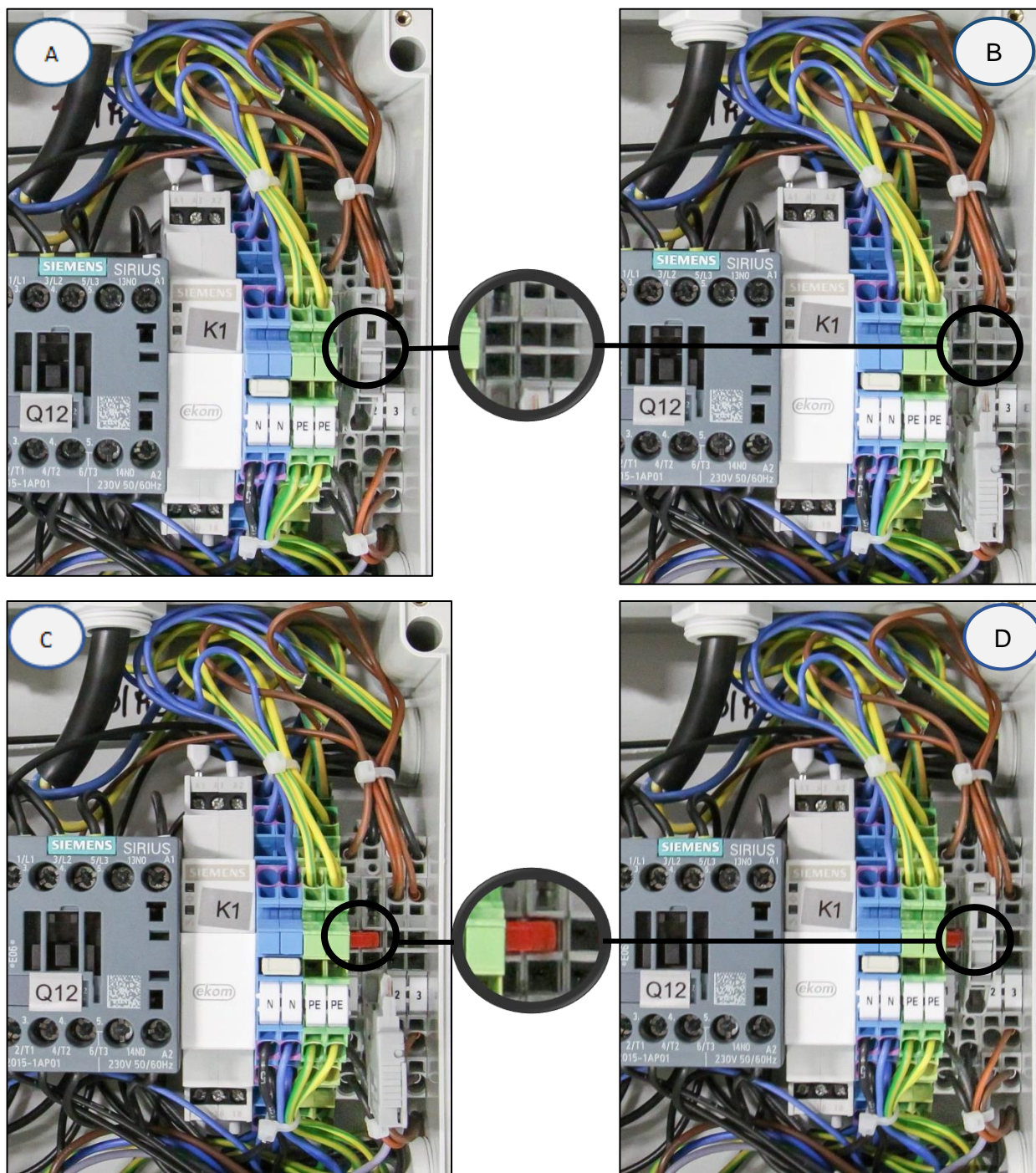
- Odłącz urządzenie od sieci, wyjmując wtyczkę przewodu zasilania z gniazda.
- Zdejmij osłonę tablicy elektrycznej (na sprężarce).
- Przewód połączeniowy nie jest podłączony do listwy zaciskowej – A.
- Podnieś osłonę bezpiecznika – B.
- Połącz przewód połączeniowy z listwą zaciskową – C.
- Zamknij osłonę bezpiecznika – D.
- Z powrotem zamontuj osłonę tablicy elektrycznej.
- Podłącz urządzenie do sieci zasilającej.
- Włącz sprężarkę, obracając przełącznik na przełączniku ciśnienia.

Rys. 27: DK50 4VR/50/M



400V

Rys. 28: DK50 2x4VR/110/M



400 V

23.9. Procedura podłączania sprężarki do nowej obudowy



Przed każdą naprawą bieżącą lub pracą remontową sprężarkę należy wyłączyć i odłączyć od sieci elektrycznej (przez wyciągnięcie wtyczki z gniazdka).

Aby sprężarka w obudowie działała prawidłowo, nie można podłączać przewodu połączeniowego do listwy zaciskowej. (Rys. 27 poz. A,B, Rys. 28 poz. A) Przełącznik na obudowie włącza i wyłącza całe urządzenie, w tym także sprężarkę.



Jeśli do listwy zaciskowej sprężarki podłączonej do obudowy jest podłączony przewód połączeniowy, przełącznik na obudowie sprężarki nie będzie działać!

należy zlikwidować połączenie z listwą zaciskową sprężarki, postępując wg procedury opisanej niżej. (Rys. 27, Rys. 28). (Patrz także rozdz. 13.1 i 13.2).

PROCES:

Usuwanie przewodu połączeniowego (proces D-C-B-A)

- Odłącz urządzenie od sieci, wyjmując wtyczkę przewodu zasilania z gniazda.
- Zdejmij osłonę tablicy elektrycznej (na sprężarce).
- Przewód połączeniowy jest podłączony do listwy zaciskowej – D.
- Podnieś osłonę bezpiecznika – C.
- Odłącz przewód połączeniowy od listwy zaciskowej – B.
- Zamknij osłonę bezpiecznika – A.
- Z powrotem zamontuj osłonę tablicy elektrycznej.
- Włóż sprężarkę do obudowy.
- Połącz obudowę ze sprężarką, wkładając wtyczkę przewodu zasilania do gniazda zasilania. (Rys. 13)
- Podłącz złącze do wyświetlacza na przednich drzwiczkach obudowy.
- Podłącz urządzenie do sieci zasilającej
- Włącz sprężarkę, obracając przełącznik na przełączniku ciśnienia i przełącznik (4) na obudowie. (Rys. 23)

Sprężarka z obudową – gdy sprężarka działa w obudowie, **nie może** być połączenia elektrycznego. (Rys. 27 poz. A,B, Rys. 28 poz. A)

Uwaga: **Jeśli sprężarka jest używana bez obudowy lub konieczne jest przeprowadzenie czynności konserwacyjnych, przewód połączeniowy odłączony od listwy zaciskowej należy przechowywać** w wyznaczonym miejscu obok tablicy elektrycznej.

23.10. Czyszczenie i dezynfekcja zewnętrznych powierzchni produktu

Zewnętrzne powierzchnie należy czyścić i dezynfekować neutralnymi środkami czyszczącymi.



Agresywne detergenty i środki dezynfekujące z alkoholem i chlorem mogą uszkodzić i odbarwić powierzchnie.

23.11. Kontrola chłodnicy i wentylatora

Urządzenia, w szczególności wentylator sprężarki, wentylator chłodnicy i chłodnica, muszą być utrzymywane w czystości, aby efektywnie działały. Usuń kurz z powierzchni żeber chłodnicy i łopatek wentylatora za pomocą odkurzacza lub sprężonego powietrza.

23.12. Kalibracja czujnika punktu rosy

Zaleca się kalibrację czujnika punktu rosy co 2 lata w sprężarkach wyposażonych w ten czujnik. Kalibrację przeprowadza producent (Vaisala) i należy ją zamówić online.

Proces zamawiania kalibracji czujnika:

- Wejdź na stronę internetową www.vaisala.com, przejdź do sekcji *Services (Usługi)* i wybierz

Calibration and repair services (Usługi kalibracji i naprawy).

- Następnie wprowadź typ czujnika (typ czujnika: **DMT143**) i wybierz typ kalibracji, po czym postępuj zgodnie z podanymi instrukcjami.
- Po wyjęciu czujnika punktu rosy miejsce montażu czujnika należy zamknąć dostarczoną zaślepką i uszczelnić dostarczonym klejem (dotyczy sprężarek DK50 4VR/50/M).

24. WYŁĄCZENIE NA DŁUGI CZAS

Jeśli sprężarka nie będzie używana przez długi czas, zaleca się spuszczenie kondensatu ze zbiornika powietrza i włączenie sprężarki na około 10 minut z pozostawionym otwartym zaworem spustowym. Następnie należy wyłączyć sprężarkę za pomocą przełącznika (2) na przełączniku ciśnieniowym (1) (Rys. 23), zamknąć zawór spustowy i odłączyć urządzenie od zasilania sieciowego.

25. UTYLIZACJA URZĄDZENIA

- Odłącz urządzenie od zasilania sieciowego.
- Wypuść powietrze ze zbiornika ciśnieniowego, otwierając zawór spustowy.
- Zutilizuj urządzenie zgodnie z wszystkimi obowiązującymi przepisami.
- Powierz zadanie posortowania i utylizacji wyspecjalizowanej firmie.
- Zużyte części nie mają negatywnego wpływu na środowisko.

ROZWIĄZYWANIE PROBLEMÓW

Ryzyko porażenia prądem elektrycznym.

Przed podjęciem jakichkolwiek czynności odłącz urządzenie od zasilania sieciowego (wyjmij wtyczkę z gniazda).



Praca z elementami pneumatycznymi pod ciśnieniem stwarza ryzyko zranienia.

Przed podjęciem jakichkolwiek czynności całkowicie wypuść powietrze ze zbiornika powietrza i układu wysokociśnieniowego.



Rozwiązywanie problemów może być wykonywane wyłącznie przez wykwalifikowanego pracownika serwisu.



Uszkodzenie zaworu bezpieczeństwa może spowodować wzrost ciśnienia do niebezpiecznego poziomu.

Nigdy nie reguluj zaworu bezpieczeństwa.

Usterka	Możliwa przyczyna	Rozwiązanie
Sprężarka nie chce się włączyć	Brak napięcia w przełączniku ciśnieniowym	Sprawdź napięcie w gnieździe
		Sprawdź wyłącznik obwodu — powinien być ustawiony w pozycji włączonej „I”
		Poluzowany przewód na listwie zaciskowej — naprawić
		Sprawdź przewód elektryczny — wymienić uszkodzony przewód
	Usterka uzwojenia silnika, uszkodzona osłona termiczna	Wymienić silnik lub uzwojenie
	Usterka kondensatora	Wymienić kondensator
	Blokada tłoka lub innej obrotowej części	Wymienić uszkodzone części
	Przełącznik ciśnieniowy nie przełącza się	Sprawdzić działanie przełącznika ciśnieniowego
Sprężarka często się włącza	Wyciek powietrza z układu pneumatycznego	Sprawdź układ pneumatyczny – uszczelnij luźne połączenia
	Wyciek z zaworu zwrotnego (SV)	Wyczyść zawór zwrotny, wymień uszczelki, wymień zawór zwrotny
	Duża ilość skondensowanego płynu w zbiorniku ciśnieniowym	Spuścić skondensowany płyn
	Niska wydajność sprężarki	Sprawdzić czas napełniania zbiornika powietrza
Niskie ciśnienie w zbiorniku powietrza (sprężarka cały czas działa)	Wysokie zużycie powietrza przez dostarczony sprzęt	Zmniejsz zużycie powietrza Użyj sprężarki o większej pojemności
	Wyciek z układu pneumatycznego	Sprawdzić układ pneumatyczny – uszczelnij luźne połączenia
	Niska wydajność pompy	Oczyść lub wymień pompę

	Awaria pompy	Oczyść lub wymień pompę
	Awaria osuszacza	Wymień osuszacz
Przedłużające się działanie sprężarki	Wyciek powietrza z układu pneumatycznego	Sprawdź układ pneumatyczny – uszczelnij luźne połączenie
	Zużyty pierścień tłoka	Wymienić zużyty pierścień tłoka
	Brudny filtr wlotowy	Wymienić brudny filtr na nowy
	Nieprawidłowe działanie zaworu elektromagnetycznego	Naprawić lub wymienić wentylator lub cewkę
Sprężarka jest głośnie (stukanie, metaliczne odgłosy)	Uszkodzone łożysko tłoka, trzon tłoka, łożysko silnika	Wymienić uszkodzone łożysko
	Luźny (pęknięty) element amortyzujący (sprężyna)	Wymienić uszkodzoną sprężynę
Osuszacz nie suszy (skondensowana woda w powietrzu)*	Uszkodzony wentylator chłodnicy	Wymienić wentylator Sprawdzić źródło zasilania
	Uszkodzony osuszacz	Wymień osuszacz
	Uszkodzony automatyczny spust kondensatu	Wyczyścić/wymienić
Obniżona skuteczność suszenia — wysoki ciśnieniowy punkt rosy (skondensowana woda w powietrzu)	Niskie ciśnienie pracy	Zmniejszyć zużycie powietrza, sprawdzić wylot źródła sprężonego powietrza, zlikwidować wycieki z układu rozprowadzającego
	Regeneracyjny zawór elektromagnetyczny nie działa	Sprawdzić cewkę, wymienić w razie potrzeby Sprawdzić stan zaworu — jeśli problem nie ustępuje, wyczyścić lub wymienić zawór
	Dysza regeneracji powietrza zatkana	Wyczyścić lub wymienić dyszę (patrz konserwacja produktu)
	Wentylator chłodnicy nie działa	Sprawdzić zasilanie wentylatora Wymienić uszkodzony wentylator
	Bрудna chłodnica	Obejrzeć chłodnicę i wyczyścić w razie potrzeby
	Tłumik zatkany przy wylocie z zaworu regeneracyjnego	Sprawdzić tłumiki. Wyczyścić lub wymienić tłumik, jeśli stawia zbyt duży opór powietrzu lub jest silnie zabrudzony.
Osuszacz generuje duży hałas	Uszkodzony wentylator	Wymienić uszkodzony wentylator
	Uszkodzony tłumik	Wymienić tłumik
	Wyciek powietrza przez zawór nadmiarowy na wlocie osuszacza	Sprawdzić połączenie osuszacza z siecią i połączenia osuszacza, sprawdzić działanie osuszacza, sprawdzić ciśnienie robocze osuszacza i wymienić uszkodzone części.
Wyciek powietrza przez zawór nadmiarowy na wlocie osuszacza	Wysokie ciśnienie robocze ze źródła powietrza	Sprawdzić ustawienie ciśnienia w źródle sprężonego powietrza
	Zawór elektromagnetyczny na wlocie osuszacza nie działa	Sprawdzić działanie cewki, wymienić w razie potrzeby Sprawdzić stan zaworu — jeśli problem nie ustępuje, wyczyścić lub wymienić zawór

Wysokie ciśnienie w sprężce spowodowane zatkaniem filtrów	Sprawdzić filtry wewnętrzne i akcesoria filtrów. Wyczyścić lub wymienić brudne filtry.
---	---

)* Po awarii osuszacza dokładnie wyczyścić wnętrze zbiornika powietrza i usunąć skondensowany płyn.

Po likwidacji awarii osuszacza i jego złożeniu osuszacz należy szybko zregenerować, najlepiej pod ciągłym ciśnieniem około 1 bara przez przynajmniej 1 godzinę. Następnie należy sprawdzić suchość sprężonego powietrza.



Sprawdź zawartość wilgoci w powietrzu wychodzącym ze zbiornika powietrza (patrz rozdział Dane techniczne), aby uniknąć uszkodzenia podłączonych urządzeń.

26. USŁUGA NAPRAWY

Naprawy gwarancyjne i pogwarancyjne powinny być wykonywane przez producenta, jego autoryzowanych przedstawicieli lub pracowników serwisu zatwierdzonych przez dostawcę.

Uwaga.

Producent zastrzega sobie prawo do wprowadzania zmian w urządzeniu bez powiadomienia. Żadne z wprowadzonych zmian nie będą miały wpływu na właściwości funkcjonalne urządzenia.

OBSAH

DÔLEŽITÉ INFORMÁCIE	370
1. ZHODA S POŽIADAVKAMI SMERNÍC EURÓPSKEJ ÚNIE.....	370
2. ÚČEL URČENIA	370
3. KONTRAINDIKÁCIE A VEDĽAJŠIE ÚČINKY.....	370
4. POUŽITÉ SYMBOLY	370
5. UPOZORNENIA.....	371
6. SKLADOVACIE A PREPRAVNÉ PODMIENKY.....	373
POPIS VÝROBKU	374
7. VARIANTY	374
8. DOPLNKOVÉ VYBAVENIE.....	375
9. FUNKCIA VÝROBKU	376
TECHNICKÉ ÚDAJE	383
INŠTALÁCIA	395
10. INŠTALAČNÉ PODMIENKY	395
11. ZOSTAVENIE KOMPRESORA.....	395
12. PNEUMATICKÉ PRIPOJENIE	400
13. ELEKTRICKÉ ZAPOJENIE	402
14. UMIESTNENIE KOMPRESORA DO SKRINKY.....	403
15. PRVÉ UVEDENIE DO PREVÁDZKY	410
16. PNEUMATICKÉ A ELEKTRICKÉ SCHÉMY.....	411
OBSLUHA	418
17. ZAPNUTIE KOMPRESORA.....	419
18. VYPNUTIE KOMPRESORA.....	419
AD SUŠIČ.....	420
19. PRINCÍP FUNKCIE	420
20. POUŽÍVATEĽSKÉ ROZHRANIE / NASTAVENIA.....	421
21. ZÁKLADNÉ OBRAZOVKY	423
22. SIGNALIZÁCIA SERVISU A PORUCHOVÝCH STAVOV.....	425
ÚDRŽBA VÝROBKU	428
23. ÚDRŽBA VÝROBKU	428
24. Odstavenie	438
25. LIKVIDÁCIA PRÍSTROJA.....	438
VYHLADÁVANIE PORÚCH A ICH ODSTRÁNENIE	439
26. INFORMÁCIE O OPRAVÁRENSKEJ SLUŽBE	441
PRÍLOHA.....	515
26. ZÁZNAM O INŠTALÁCII	520

DÔLEŽITÉ INFORMÁCIE

1. ZHODA S POŽIADAVKAMI SMERNÍC EURÓPSKEJ ÚNIE

Tento výrobok je v zhode s požiadavkami Nariadenia (EÚ) o zdravotníckych pomôckach (MDR 2017/745) a je bezpečný na zamýšľané použitie pri dodržaní všetkých bezpečnostných pokynov.

2. ÚČEL URČENIA

Kompresor sa používa ako zdroj čistého bezolejového stlačeného vzduchu na napájanie aktívnych zdravotníckych pomôcok, kde stlačený vzduch vyhovuje svojimi parametrami a vlastnosťami.



Vzduch kompresora nie je vhodný na pripojenie k prístrojom na umelú ventiláciu pľúc..

Akokoľvek použitie výrobku nad rámec účelu určenia sa považuje za nesprávne použitie. Výrobca nemôže niesť zodpovednosť za akokoľvek škody alebo zranenia v dôsledku nesprávneho použitia.

3. KONTRAINDIKÁCIE A VEDĽAJŠIE ÚČINKY

Nie sú známe žiadne kontraindikácie ani vedľajšie účinky.

4. POUŽITÉ SYMBOLY

V návode na použitie, na výrobku a balení sa používajú nasledujúce značky a symboly:



Všeobecná výstraha



Výstraha - nebezpečenstvo zásahu elektrickým prúdom



Výstraha - kompresor je ovládaný automaticky



Výstraha - horúci povrch



Všeobecné upozornenie



Čítaj návod na použitie



Dodržiavaj návod na použitie



CE – označenie




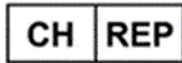


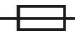







Zdravotnícka pomôcka



Sériové číslo



Artiklové číslo

	Unikátny identifikátor pomôcky
	Švajčiarsky splnomocnený zástupca
	Švajčiarsky dovozca
	Pripojenie ochranného vodiča
	Poistka
	Manipulačná značka na obale – krehké
	Manipulačná značka na obale – týmto smerom nahor
	Manipulačná značka na obale – chrániť pred dažďom
	Manipulačná značka na obale – teplotné medze
	Manipulačná značka na obale – obmedzené stohovanie
	Značka na obale – recyklovateľný materiál
	Výrobca

5. UPOZORNENIA

Výrobok je navrhnutý a vyrobený tak, aby pri stanovenom spôsobe používania bol bezpečný pre používateľa aj pre okolie. Preto je potrebné riadiť sa nasledujúcimi upozoreniami.

5.1. Všeobecné upozornenia

NÁVOD NA POUŽITIE SI PRED POUŽITÍM VÝROBKU STAROSTLIVO PREČÍTAJTE A USCHOVAJTE NA ĎALŠIE POUŽITIE!

- Návod na použitie slúži na správnu inštaláciu, obsluhu a údržbu výrobku. Presné rešpektovanie tohto návodu je predpokladom pre správne používanie v zmysle zamýšľaného použitia a správnu obsluhu výrobku.
- Originálny obal uschovať pre prípadné vrátenie zariadenia. Originálny obal zaručuje optimálnu ochranu výrobku počas prepravy. Ak bude počas záručnej lehoty potrebné výrobok vrátiť, výrobca neručí za škody spôsobené nesprávnym zabalením výrobku.
- Na škody, ktoré vznikli používaním iného príslušenstva ako predpisuje alebo odporúča výrobca, sa záruka nevzťahuje.
- Výrobca preberá zodpovednosť za bezpečnosť, spoľahlivosť a funkciu výrobku len vtedy, ak:
 - inštaláciu, nové nastavenia, zmeny, rozšírenia a opravy vykonáva výrobca alebo organizácia poverená výrobcom.

- sa výrobok používa v súlade s návodom na použitie.
- Návod na použitie zodpovedá pri tlači vyhotoveniu výrobku a stavu podľa príslušných bezpečnostno-technických noriem. Výrobca si vyhradzuje všetky práva na ochranu pre uvedené zapojenia, metódy a názvy.
- Preklad návodu na použitie je vykonaný v súlade s najlepšimi znalosťami. V prípade nejasností platí slovenská verzia textu.
- Návod na použitie je pôvodný, preklad je vykonaný v súlade s najlepšimi znalosťami.

5.2. Všeobecné bezpečnostné upozornenia

Výrobca navrhol a vyrobil výrobok tak, aby boli minimalizované akékoľvek riziká pri správnom používaní podľa zamýšľaného použitia. Výrobca považuje za svoju povinnosť popísať nasledujúce všeobecné bezpečnostné opatrenia.

- Pri prevádzke výrobku treba rešpektovať zákony a regionálne predpisy platné v mieste používania. V záujme bezpečného priebehu práce sú za dodržiavanie predpisov zodpovední prevádzkovateľ a používateľ.
- Bezpečnosť obsluhujúceho personálu a bezporuchová prevádzka výrobku sú zaručené len pri používaní originálnych častí výrobku. Používať sa môže len príslušenstvo a náhradné diely uvedené v technickej dokumentácii alebo vyslovene povolené výrobcom.
- Pred každým použitím výrobku je potrebné, aby sa používateľ presvedčil o jeho riadnej funkcii a bezpečnom stave.
- Používateľ musí byť oboznámený s obsluhou prístroja.
- Výrobok nie je určený pre prevádzku v priestoroch, v ktorých hrozí nebezpečenstvo výbuchu.
- Ak v priamej súvislosti s prevádzkou prístroja nastane nežiaduca udalosť, používateľ je povinný o tejto udalosti neodkladne informovať svojho dodávateľa.
- V prípade závažnej nehody spôsobenej pomôckou by mal túto udalosť používateľ ohlásiť výrobcovi a príslušnému orgánu v členskom štáte, v ktorom má používateľ bydlisko.

5.3. Bezpečnostné upozornenia k ochrane pred elektrickým prúdom

- Zariadenie môže byť pripojené iba na riadne namontovanú zásuvku s ochranným pripojením.
- Pred pripojením výrobku sa musí skontrolovať, či sú sieťové napätie a sieťový kmitočet uvedené na výrobku v súlade s hodnotami napájacej siete.
- Pred uvedením výrobku do prevádzky treba skontrolovať prípadné poškodenia pripájaných vzduchových a elektrických rozvodov. Poškodené pneumatické a elektrické vedenia sa musia ihneď vymeniť.
- Pri nebezpečných situáciách alebo technických poruchách je potrebné výrobok ihneď odpojiť zo siete (vytiahnuť sieťovú vidlicu).
- Pri všetkých prácach v súvislosti s opravami a údržbou musia byť:
 - sieťová vidlica vytiahnutá zo zásuvky
 - vypustený tlak z tlakovej nádrže a tlakové potrubia odvzdušnené
- Výrobok môže inštalovať len kvalifikovaný odborník.

6. SKLADOVACIE A PREPRAVNÉ PODMIENKY

Kompresor sa od výrobcu zasiela v prepravnom obale. Tým je výrobok zabezpečený pred poškodením pri preprave.



Nebezpečenstvo poškodenia pneumatických častí.

Kompresor sa smie prepravovať len bez tlaku. Pred prepravou nevyhnutne vypustiť tlak vzduchu z tlakovej nádrže a tlakových hadíc, vypustiť kondenzát zo vzdušníka a odlučovača kondenzátu na sušiči.



Originálny obal uschovať pre prípadné vrátenie zariadenia Pri preprave používať podľa možnosti vždy originálny obal kompresora pre optimálnu ochranu výrobku. Ak bude počas záručnej lehoty potrebné výrobok vrátiť, výrobca neručí za škody spôsobené nesprávnym zabalením výrobku.



Kompresor prepravovať nastojato, vždy zaistený prepravným fixovaním.



Počas prepravy a skladovania chrániť kompresor pred vysokou vlhkosťou, nečistotou a extrémnymi teplotami. Neskladovať v priestoroch spolu s prchavými chemickými látkami.



Ak nie je uschovanie originálneho obalu možné, zlikvidujte ho šetrne k životnému prostrediu. Prepravný kartón sa môže vyhodiť so starým papierom.



Zariadenie je zakázané skladovať a prepravovať mimo definovaných podmienok, pozri nižšie

6.1. Podmienky okolia

Výrobky je možné skladovať v priestoroch a dopravných prostriedkoch bez stôp prchavých chemických látok pri nasledujúcich klimatických podmienkach:

Teplota

–25°C až +55°C

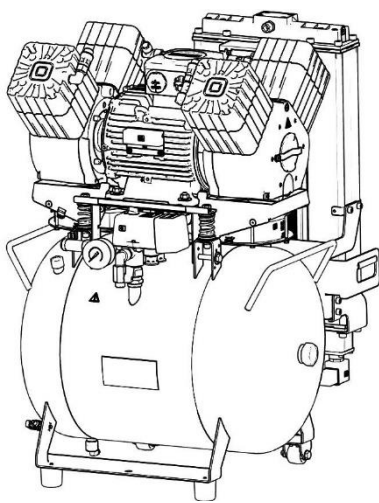
Relatívna vlhkosť

max. 90% (bez kondenzácie)

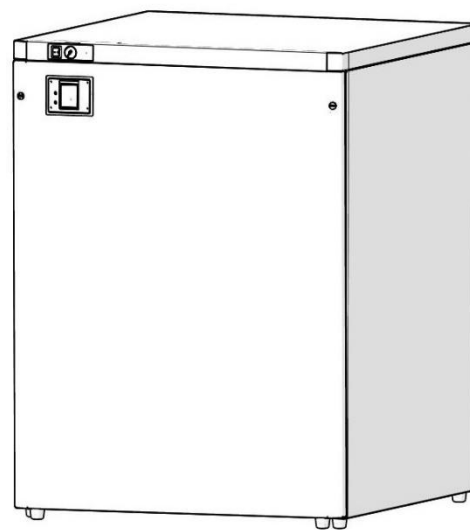
POPIS VÝROBKU**7. VARIANTY**

Kompresor sa vyrába podľa účelu v týchto variantoch:

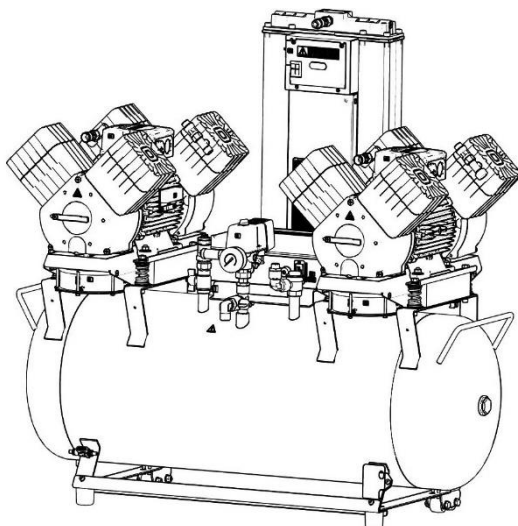
DK50 4VR/50/M	Kompresor s adsorpčným sušičom vzduchu
DK50 4VR/50 S/M	Kompresor v skrinke s adsorpčným sušičom vzduchu
Skrinka S50R	Slúži na zníženie hladiny hluku kompresora
DK50 2x4VR/110/M	Kompresor s adsorpčným sušičom vzduchu
DK50 2x4VR/110S/M	Kompresor v skrinke s adsorpčným sušičom vzduchu
Skrinka S110R	Slúži na zníženie hladiny hluku kompresora



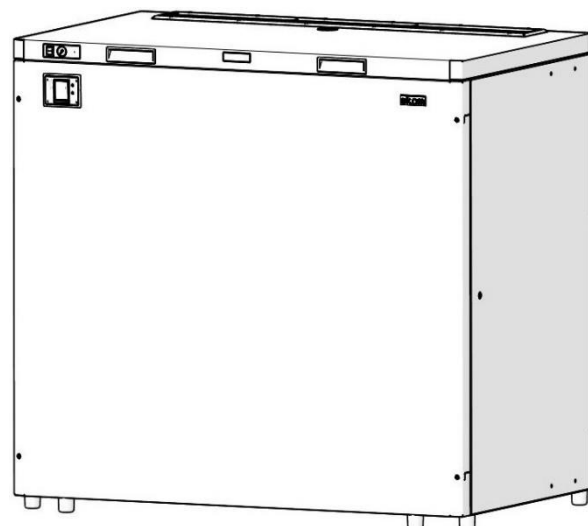
DK50 4VR/50/M



S50R
DK50 4VR/50S/M



DK50 2x4VR/110/M



S110R
DK50 2x4VR/110S/M

8. DOPLNKOVÉ VYBAVENIE

Doplňkové vybavenie nie je predmetom základnej dodávky, je potrebné objednať ho osobitne.

Sada filtrov výstupného stlačeného vzduchu

Kompresor môže byť vybavený sadou filtrov podľa požiadavky. Filtračná sada môže byť doplnená o regulátor tlaku vzduchu.



V prípade požiadavky na iný stupeň filtrácie vzduchu je treba túto požiadavku dohodnúť s dodávateľom a špecifikovať v objednávke.

Typ	Použitie	Stupeň filtrácie / μ m/	Artiklové číslo
FS 30F		1	604014119-014
FS 30M	DK50 4VR/50/M	1+0,1	604014119-015
FS 30S		1+0,01	604014119-017
FS 30A		1+0,01+A**	604014119-018*
FS 40F		1	604014119-000
FS 40M	DK50 2x4VR/110/M	1+0,1	604014119-004
FS 40S		1+0,01	604014119-024
FS 40AH		1+AC+HC (0,01)	604014119-005

**) A – submikrofilter s aktívnym uhlím

*) - sadu **FS 30A**, v štandardnom vyhotovení, nie je možné pri výrobkoch DK50 4VR/50/M skombinovať s regulátorom tlaku, v prípade záujmu o takúto sadu (s regulátorom) kontaktovať dodávateľa

Sada regulátora k filtračným sadám

Kompresor môže byť vybavený sadou regulátora tlaku výstupného stlačeného vzduchu podľa požiadavky. Regulátor je potrebné si vybrať podľa použitia k filtračnej sade, alebo samostatne. Regulátor zabezpečí konštantný tlak na výstupe z kompresora.

Typ	Použitie	Artiklové číslo
Regulátor komplet (k filtračnej sade)	DK50 4VR/50/M	604014130-000
REG12 (samostatný)		447000001-088
Regulátor komplet	DK50 2x4VR/110/M	604014125-000
REG15		447000001-243

Držiaky k filtračným sadám



Ku každej sade je potrebné doobjednať vhodný držiak.

Typ	Použitie	Artiklové číslo
Držiak na kompresor	DK50 4VR/50/M	603014177-000
Držiak na kompresor	DK50 2x4VR/110/M	604014131-000
Držiak na stenu		603014120-000

Modul 3KOM pre riadenie viacerých kompresorov vo funkcionalite Master-Slave

Pre 2, alebo 3 rovnaké kompresory s rovnakým tlakovým rozsahom je možné objednať riadiaci modul 3KOM, ktorý riadi prevádzku týchto kompresorov vo funkcionalite Master-Slave. Pri použití tohto modulu preberá funkciu spínania agregátov riadiaca jednotka, ktorá je súčasťou modulu.

Riadiaci modul je možné objednať v konfigurácií podľa nasledujúcej tabuľky.

Typ kompresora	Schéma riadenia	Artiklové číslo	Výstup vzduchu sústavy
DK50 4VR/50/M	1+1	603002152-000	G3/4"
DK50 2x4VR/110/M	1+1+1		

Zásuvka pre ekvipotenciálne pospojovanie

Zásuvka umožňuje ochranné pospojovanie.

Typ	Použitie	Názov	Artiklové číslo
POAG-KBT6-EC	DK50 4VR/50S/M	Zásuvka	033400075-000
FLEXI-S/POAG-HK6	DK50 2x4VR/110S/M	Vodič (1m)	034110083-000

9. FUNKCIA VÝROBKU

9.1. Kompresor s adsorpčným sušičom

(Obr. 1, Obr. 2) Agregát kompresora (1) nasáva atmosférický vzduch cez vstupný filter (8) a stlačený ho dodáva cez spätný ventil (3) do zberného potrubia, odkiaľ je vedený prepojovacou hadicou do adsorpčného sušiča (9). Po vstupe do modulu sušiča sa vzduch najprv ochladí v stavanom chladiči (17) a ďalej cez odlučovač kondenzátu (24) vstupuje do aktívnej komory (19) s adsorbentom, kde je vzduch vysušený. Časť vzduchu smeruje do druhej, regenerovanej komory, kde tento vzduch odoberá vlhkosť z adsorbentu a je uvoľňovaný do okolia. Činnosť komôr sa cyklicky prepína. Vysušený vzduch prechádza cez spätný ventil (3) do vzdušníka (2).

* V prípade DK50 4VR/50/M nie je použité zberné potrubie so spätným ventilom a vzduch ide priamo do sušiča vzduchu.

9.2. Skrinka kompresora

(Obr. 4) Skrinka zabezpečuje kompaktné prekrytie kompresora, účinne tlmí hluk, pričom zabezpečuje dostatočnú výmenu chladiaceho vzduchu. Svojím dizajnom je vhodná na umiestnenie v ordinácii ako súčasť nábytku. Ventilátor pod agregátom kompresora (10) zabezpečuje chladenie kompresora. V činnosti je súčasne s motorom kompresora alebo po zapnutí teplotného spínača pri teplote vyššej ako 40°C. Po vychladení priestoru v skrinke približne pod 32°C sa ventilátor automaticky vypne. Na prednom paneli skrinky je umiestnený displej sušiča (33).



Nebezpečenstvo prehriatia kompresora.

Je zakázané vytvárať prekážky na vstupe chladiaceho vzduchu do skrinky (po obvode spodnej časti skrinky) a na výstupe teplého vzduchu v hornej zadnej časti skrinky.

V prípade umiestnenia kompresora na mäkkú podlahu, napr. koberec, je nutné vytvoriť medzeru medzi základňou a podlahou alebo skrinkou a podlahou, napr. podloženie pätiiek tvrdými podložkami z dôvodu zabezpečenia dostatočného chladenia kompresora.

Popis k obrázkom 1 - 3

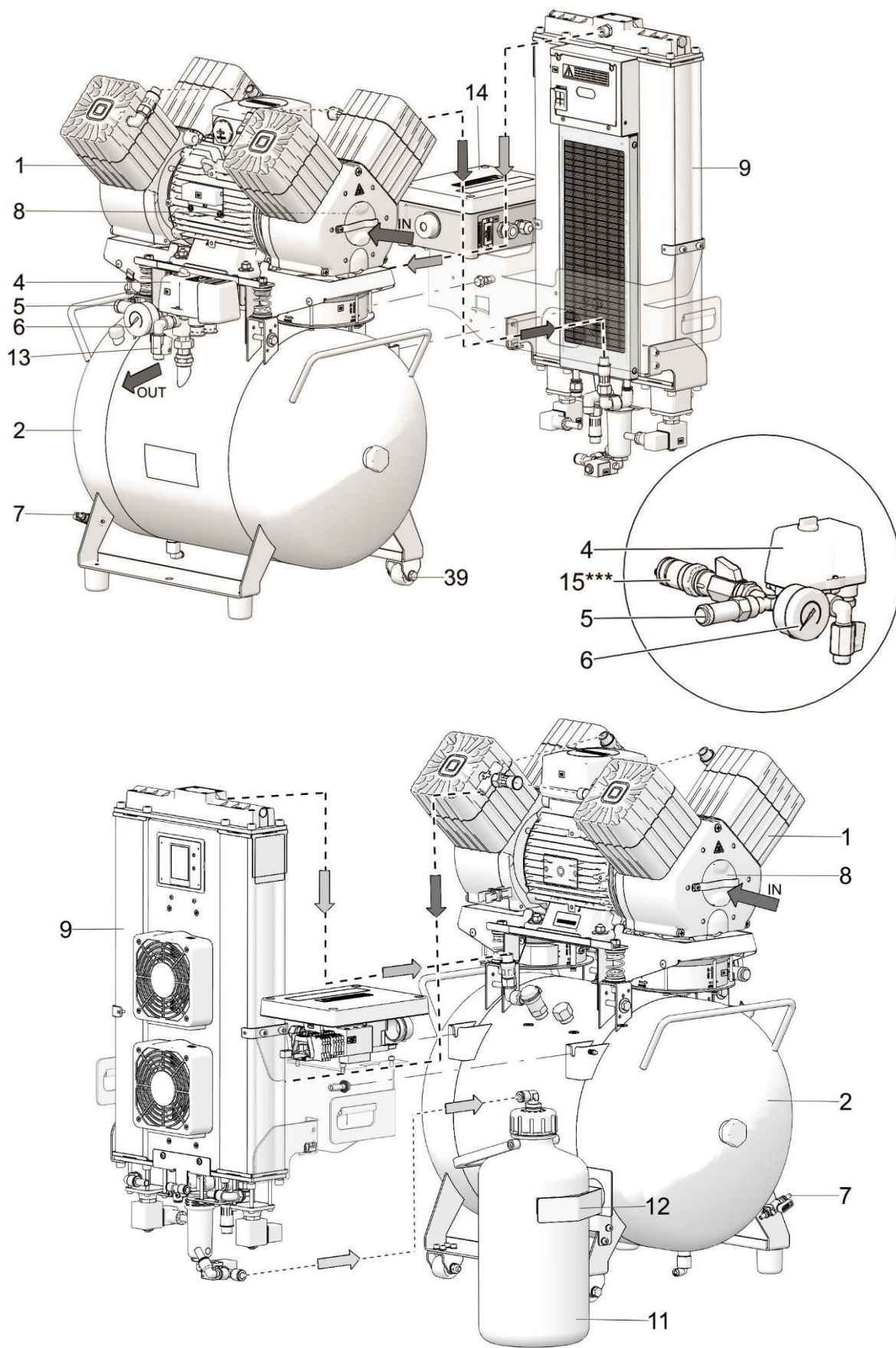
1 Agregát kompresora	22 Regeneračné solenoidné ventily
2 Vzdušník	23 Ventilátor sušiča
3 Spätný ventil	24 Odlučovač kondenzátu
4 Tlakový spínač	25 Solenoidný ventil odvodu kondenzátu
5 Poistný ventil	26 *Displej sušiča
6 Tlakomer	27 Výstup vzduchu
7 Vypúšťací ventil	28 Ventilátor skrinky
8 Vstupný filter	29 Tlakomer skrinky
9 Adsorpčný sušič	30 Vypínač
10 Ventilátor kompresora	31 Konektor skrinky
11 Nádoba na zber kondenzátu	32 Hadička tlakomera
12 Magnetický držiak	33 Displej skrinky
13 Výstup vzduchu	34 Plynové perá skrinky
14 Rozvodná krabica	35 Odťah
15 Snímač rosného bodu	36 Šnúra elektrického prívodu
16 Výstupný modul	37 **Priechodka
17 Chladiaci modul	38 Vývod z odlučovača kondenzátu a regeneračných ventilov
18 Elektropanel	39 Koliesko kompresora
19 Komora sušiča	40 Stenový doraz
20 Vstupný ventilový modul	41 Spojovacia výstuha
21 Vstup stlačeného vzduchu	42 Madlo

* Pozícia (26) platí pre prevedenie bez skrinky DK50 4VR/50/M, DK50 2x4VR/110/M, pre prevedenie so skrinkou – DK50 4VR/50 S/M, DK50 2x4VR/110 S/M sa na pozícií (26) nachádza krytka.

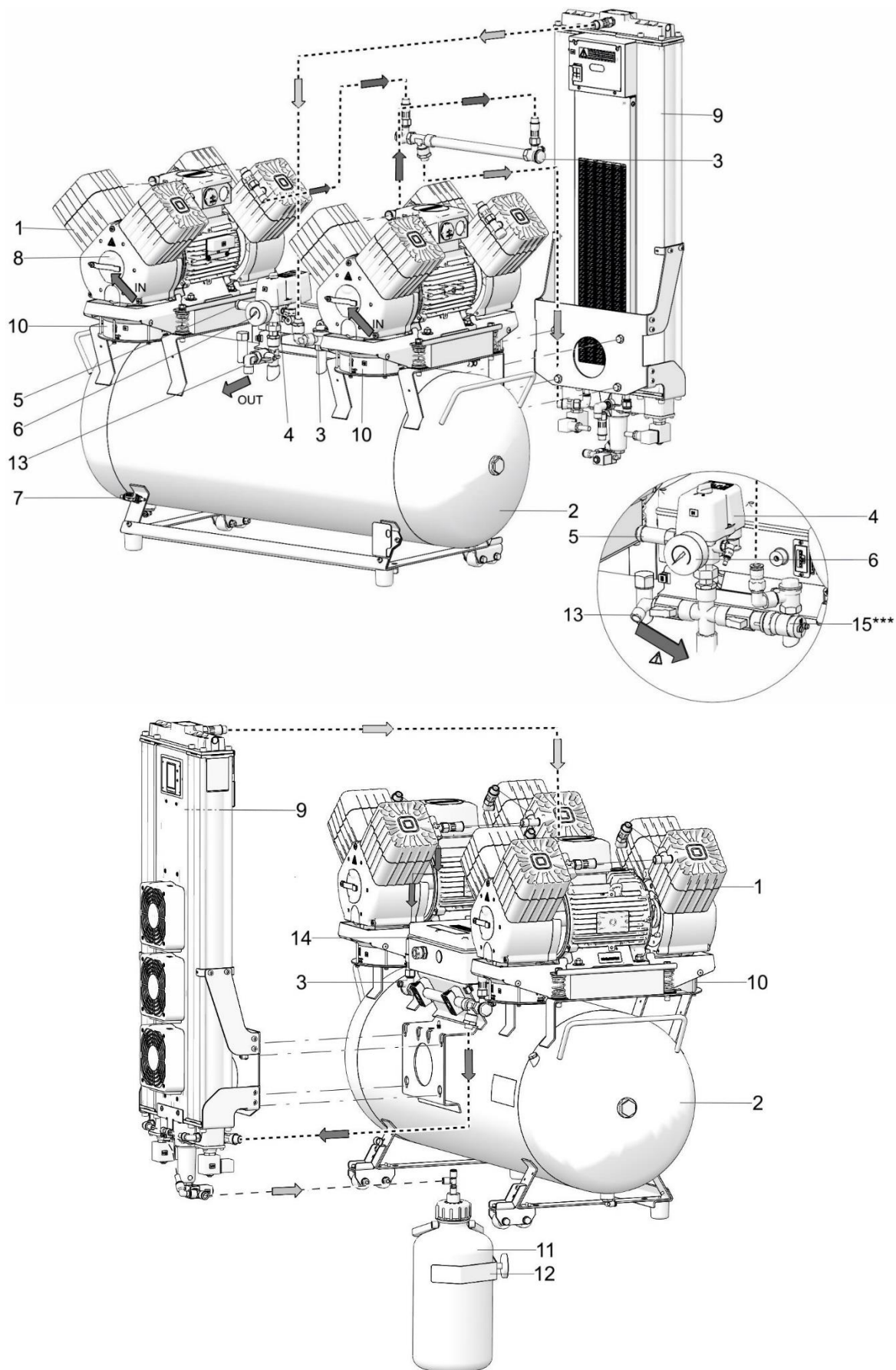
** V prípade skrinkovej verzie je cez univerzálnu priechodku (37) vyvedený kábel na pripojenie displeja (33) umiestneného v prednom paneli skrinky.

*** platí pre prevedenie so snímačom rosného bodu.

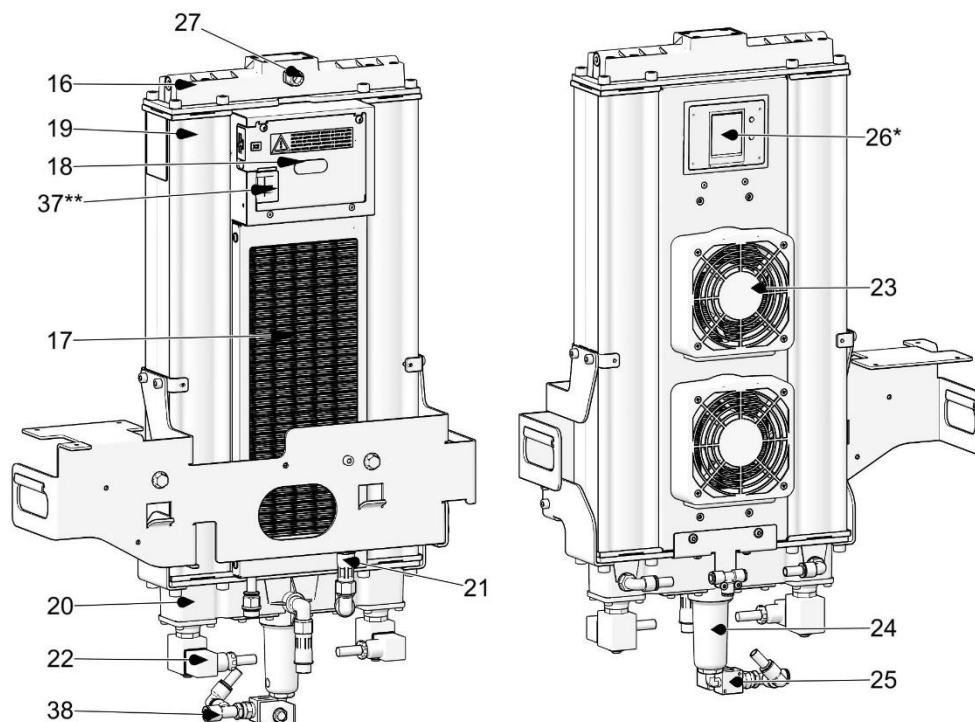
Obr. 1: DK50 4VR/50/M - Kompresor s adsorpčním sušičem vzduchu



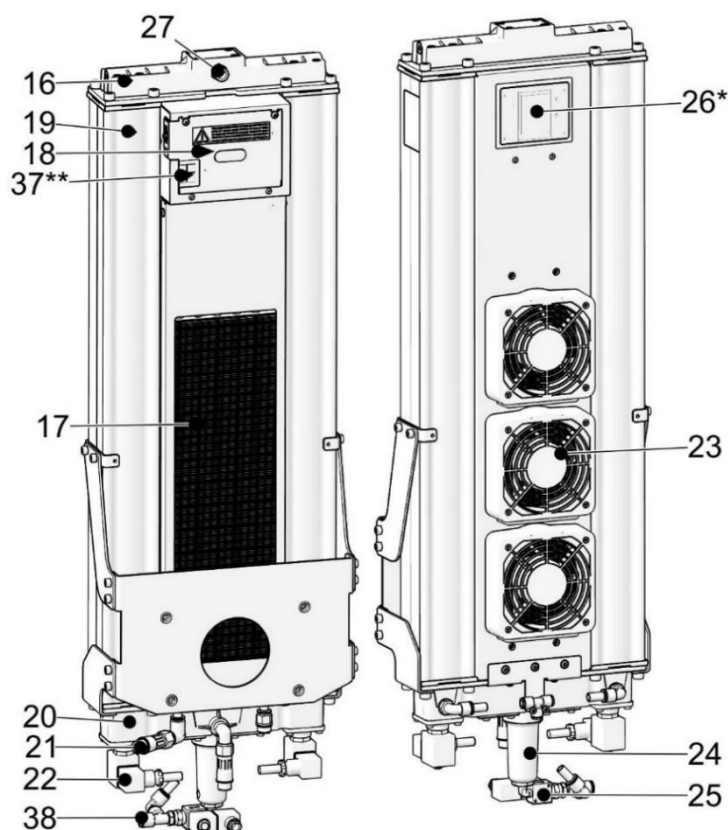
Obr. 2: DK50 2x4VR/110/M - Kompresor s adsorpčním sušičem vzduchu



Obr. 3: Adsorpčný sušič



ADM 280/50

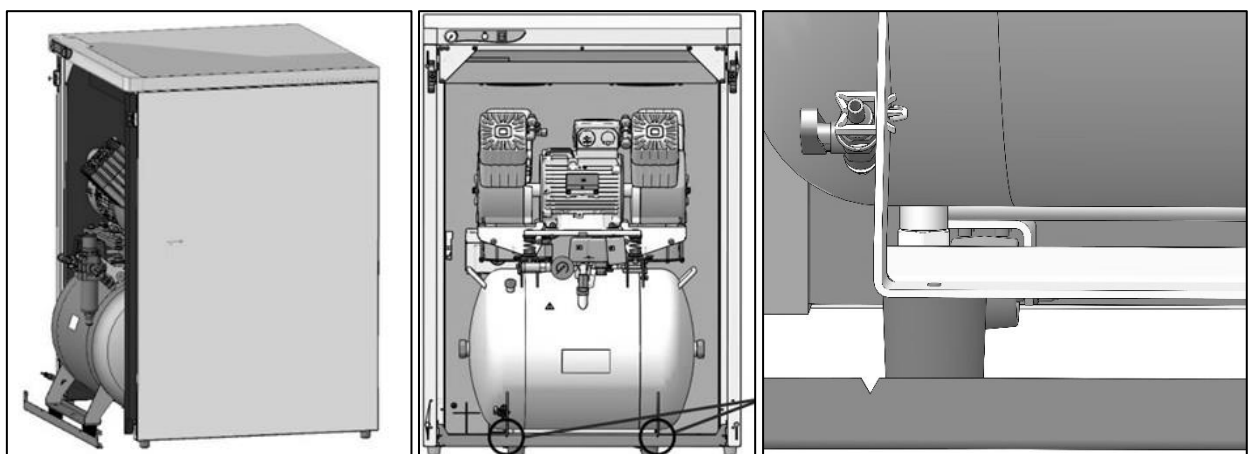
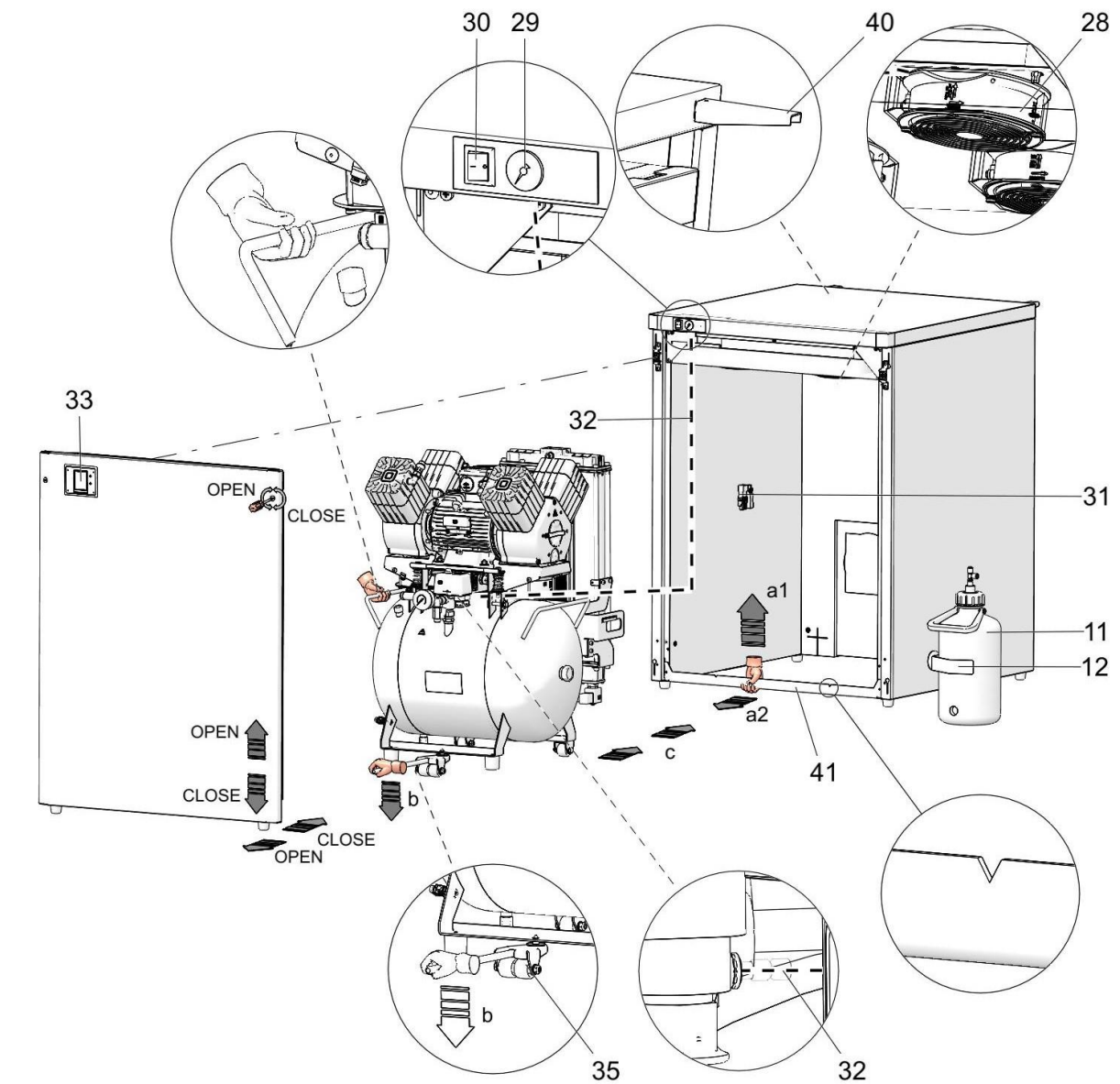


ADM 500/110

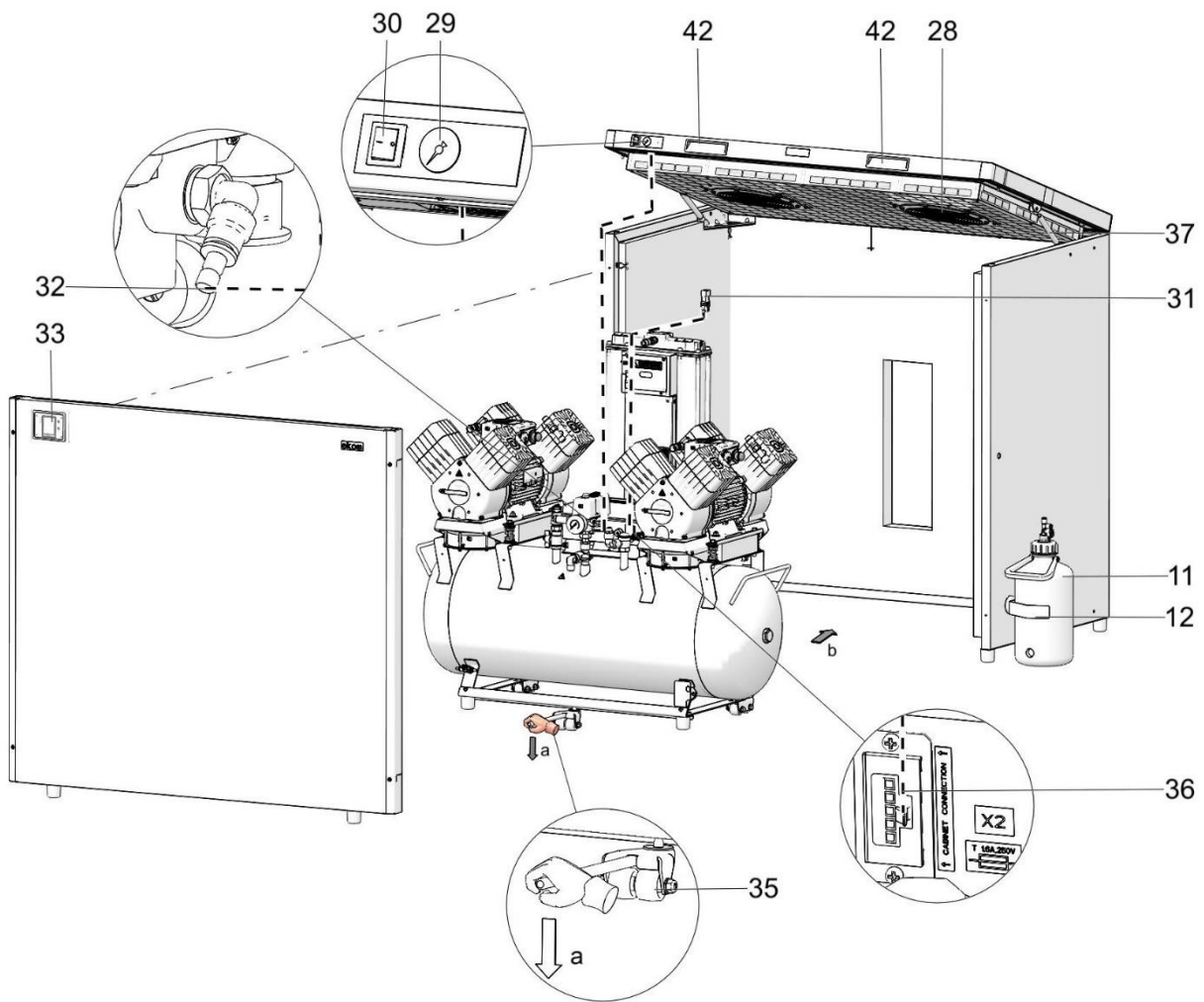
* Pozícia (26) platí pre prevedenie bez skrinky DK50 4VR/50/M, DK50 2x4VR/110/M, pre prevedenie so skrinkou – DK50 4VR/50S/M, DK50 2x4VR/110 S/M sa na pozícií (26) nachádza krytka.

** V prípade skrinkovej verzie je cez univerzálnu priechodku (37) vyvedený kábel na pripojenie displeja (33) umiestneného v prednom paneli skrinky.

Obr. 4: Skrinka



A – DK50 4VR/50S/M



B – DK50 2x4VR/110S/M

TECHNICKÉ ÚDAJE

Kompresory sú konštruované pre prevádzku v suchých, vetraných a bezprašných vnútorných priestoroch pri nasledujúcich klimatických podmienkach:

Teplota +5°C až +40°C

Relatívna vlhkosť max. 70%

Pracovný tlak 6 – 8 bar		DK50 4VR/50/M	DK50 4VR/50 S/M
Menovité napätie, Frekvencia ^{a)}	V, Hz	3x400, 50	3x400, 50
Výkonnosť pri pretlaku 6 bar (FAD)	l/min	235	235
Pracovný tlak ^{b)}	bar	6,0 – 8,0	6,0 – 8,0
Menovitý prúd	A	5,4	5,8
Výkon motora	kW	2.2	2.2
Objem vzdušníka	l	50	50
Kvalita vzduchu – filtrácia	µm	-	-
Povolený prevádzkový tlak poistného ventilu	bar	9,0	9,0
Hladina hluku pri pretlaku 5 bar (L _{pA})	dB	≤ 73,5	≤ 56,0
Režim prevádzky	%	S1-100	S1-100
Stupeň sušenia - PDP pri 7 bar ^{d)}	°C	≤ -20	≤ -20
Alarm nízkeho tlaku sušiča	bar	< 3	< 3
Alarm vysokého tlaku sušiča	bar	> 9	> 9
Alarm vysokého rosného bodu sušiča	°C	> -20	> -20
Čas naplnenia vzdušníka z 0 do 7 bar	s	85	85
Rozmery (netto) š x h x v	mm	580x590x815	750x780x1015
Hmotnosť netto ^{c)}	kg	95	151
Klasifikácia podľa EN 60 601-1		Trieda I.	

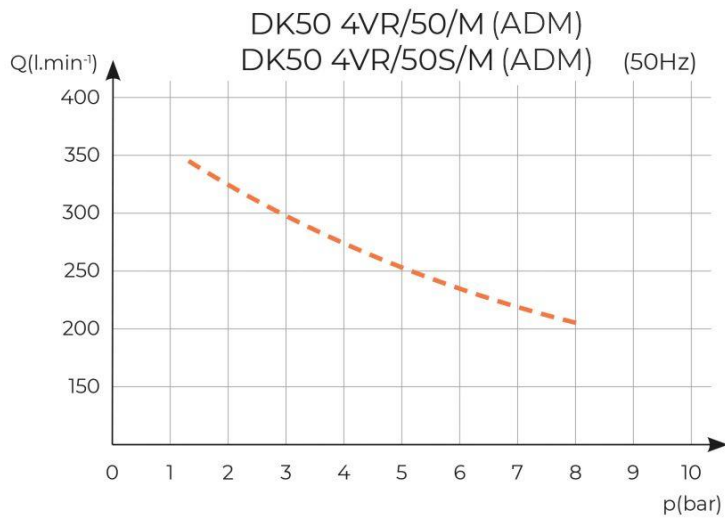
^{a)} Prevedenie kompresora uviesť pri objednávaní

^{b)} Iný rozsah tlaku konzultovať s dodávateľom

^{c)} Hodnota hmotnosti je informatívny údaj, platí len pre výrobok bez doplnkového vybavenia

^{d)} Platí pri teplote okolia <30°C (PDP – pressure dew point – tlakový rosný bod)

Závislosť výkonnosti kompresora od pracovného tlaku



Pracovný tlak 6 – 8 bar		DK50 4VR/50/M	DK50 4VR/50 S/M
Menovité napätie, Frekvencia ^{a)}	V, Hz	3x400, 50/60	3x400, 50
Výkonnosť pri pretlaku 6 bar (FAD)	l/min	225	225
Pracovný tlak ^{b)}	bar	6,0 – 8,0	6,0 – 8,0
Menovitý prúd	A	5,4	5,8
Výkon motora	kW	2.2	2.2
Objem vzdušníka	l	50	50
Kvalita vzduchu – filtrácia	µm	-	-
Povolený prevádzkový tlak poistného ventilu	bar	9,0	9,0
Hladina hluku pri pretlaku 5 bar (L _{pA})	dB	≤ 73,5	≤ 56,0
Režim prevádzky	%	S1-100	S1-100
Stupeň sušenia - PDP pri 7 bar ^{d)}	°C	≤ -40	≤ -40
Alarm nízkeho tlaku sušiča	bar	< 3	< 3
Alarm vysokého tlaku sušiča	bar	> 9	> 9
Alarm vysokého rosného bodu sušiča	°C	> -40	> -40
Čas naplnenia vzdušníka z 0 do 7 bar	s	90	90
Rozmery (netto) š x h x v	mm	580x590x815	750x780x1015
Hmotnosť netto ^{c)}	kg	95	151
Klasifikácia podľa EN 60 601-1		Trieda I.	

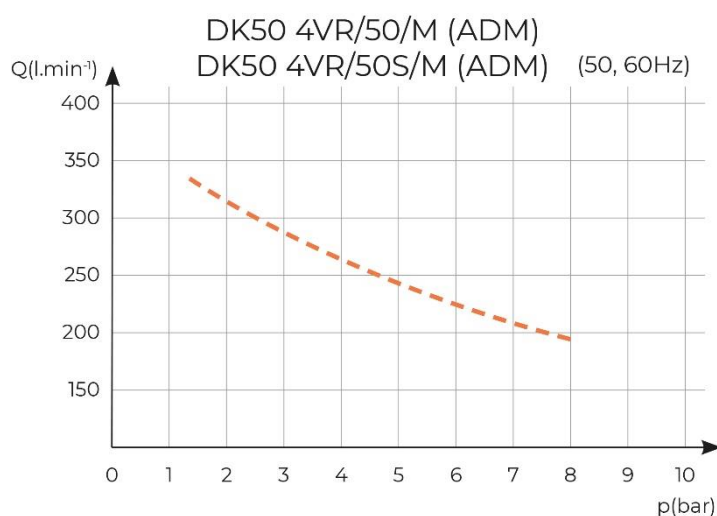
^{a)} Prevedenie kompresora uviesť pri objednávaní

^{b)} Iný rozsah tlaku konzultovať s dodávateľom

^{c)} Hodnota hmotnosti je informatívny údaj, platí len pre výrobok bez doplnkového vybavenia

^{d)} Platí pri teplote okolia <30°C (PDP – pressure dew point – tlakový rosný bod)

Závislosť výkonnosti kompresora od pracovného tlaku



Pracovný tlak 8 – 10 bar		DK50 4VR/50/M	DK50 4VR/50 S/M
Menovité napätie, Frekvencia ^{a)}	V, Hz	3x400, 50	3x400, 50
Výkonnosť pri pretlaku 8 bar (FAD)	l/min	195	195
Pracovný tlak ^{b)}	bar	8,0 – 10,0	8,0 – 10,0
Menovitý prúd	A	5,4	5,9
Výkon motora	kW	2.2	2.2
Objem vzdušníka	l	50	50
Kvalita vzduchu – filtrácia	µm	-	-
Povolený prevádzkový tlak poistného ventilu	bar	12,0	12,0
Hladina hluku pri pretlaku 5 bar (L _{pA})	dB	≤ 73,5	≤ 56,0
Režim prevádzky	%	S1-100	S1-100
Stupeň sušenia - PDP pri 7 bar ^{d)}	°C	≤ -20	≤ -20
Alarm nízkeho tlaku sušiča	bar	< 3	< 3
Alarm vysokého tlaku sušiča	bar	> 11	> 11
Alarm vysokého rosného bodu sušiča	°C	> -20	> -20
Čas naplnenia vzdušníka z 0 do 7 bar	s	105	105
Rozmery (netto) š x h x v	mm	580x590x815	750x780x1015
Hmotnosť netto ^{c)}	kg	95	151
Klasifikácia podľa EN 60 601-1		Trieda I.	

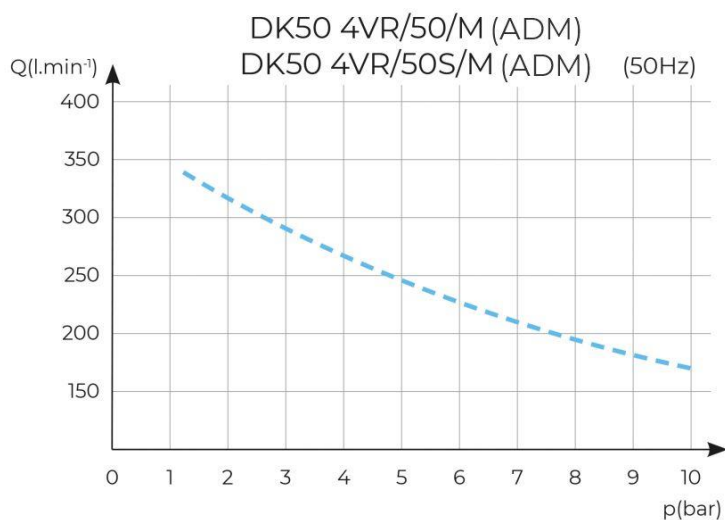
^{a)} Prevedenie kompresora uviesť pri objednávaní

^{b)} Iný rozsah tlaku konzultovať s dodávateľom

^{c)} Hodnota hmotnosti je informatívny údaj, platí len pre výrobok bez doplnkového vybavenia

^{d)} Platí pri teplote okolia <30°C (PDP – pressure dew point – tlakový rosný bod)

Závislosť výkonnosti kompresora od pracovného tlaku



Pracovný tlak 8 – 10 bar		DK50 4VR/50/M	DK50 4VR/50 S/M
Menovité napätie, Frekvencia ^{a)}	V, Hz	3x400, 50	3x400, 50
Výkonnosť pri pretlaku 8 bar (FAD)	l/min	190	190
Pracovný tlak ^{b)}	bar	8,0 – 10,0	8,0 – 10,0
Menovitý prúd	A	5,4	5,9
Výkon motora	kW	2.2	2.2
Objem vzdušníka	l	50	50
Kvalita vzduchu – filtrácia	µm	-	-
Povolený prevádzkový tlak poistného ventilu	bar	12,0	12,0
Hladina hluku pri pretlaku 5 bar (L _{pA})	dB	≤ 73,5	≤ 56,0
Režim prevádzky	%	S1-100	S1-100
Stupeň sušenia - PDP pri 7 bar ^{d)}	°C	≤ -40	≤ -40
Alarm nízkeho tlaku sušiča	bar	< 3	< 3
Alarm vysokého tlaku sušiča	bar	> 11	> 11
Alarm vysokého rosného bodu sušiča	°C	> -40	> -40
Čas naplnenia vzdušníka z 0 do 7 bar	s	105	105
Rozmery (netto) š x h x v	mm	580x590x815	750x780x1015
Hmotnosť netto ^{c)}	kg	95	151
Klasifikácia podľa EN 60 601-1		Trieda I.	

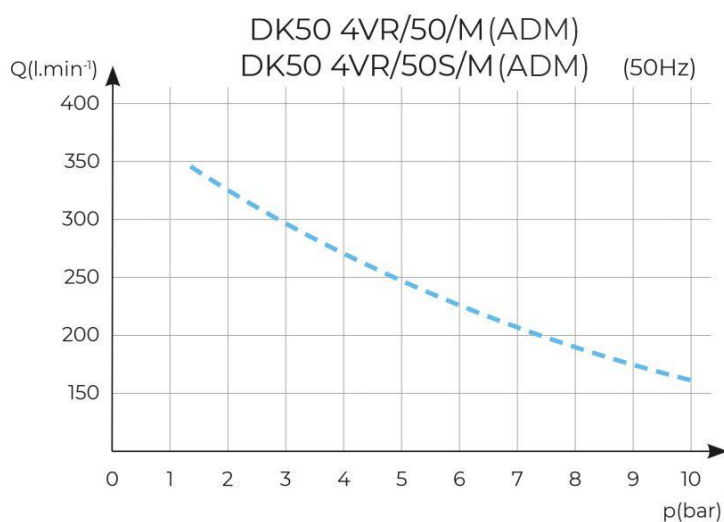
^{a)} Prevedenie kompresora uviesť pri objednávaní

^{b)} Iný rozsah tlaku konzultovať s dodávateľom

^{c)} Hodnota hmotnosti je informatívny údaj, platí len pre výrobok bez doplnkového vybavenia

^{d)} Platí pri teplote okolia <30°C (PDP – pressure dew point – tlakový rosný bod)

Závislosť výkonnosti kompresora od pracovného tlaku



Pracovný tlak 6 – 8 bar		DK50 2x4VR/110/M	DK50 2x4VR/110S/M
Menovité napätie, Frekvencia ^{a)}	V, Hz	3x400V, 50Hz	3x400V, 50Hz
Výkonnosť pri pretlaku 6 bar (FAD)	l/min	470	470
Pracovný tlak ^{b)}	bar	6,0 – 8,0	6,0 – 8,0
Menovitý prúd	A	10,8	11,2
Výkon motora	kW	2x2.2	2x2.2
Objem vzdušníka	l	110	110
Kvalita vzduchu – filtrácia	µm	-	-
Povolený prevádzkový tlak poistného ventilu	bar	9,0	9,0
Hladina hluku pri pretlaku 5 bar (L _{pA})	dB	≤ 77,5	≤ 62,0
Režim prevádzky	%	S1-100	S1-100
Stupeň sušenia - PDP pri 7 bar ^{d)}	°C	≤ - 20	≤ - 20
Alarm nízkeho tlaku sušiča	bar	< 3	< 3
Alarm vysokého tlaku sušiča	bar	> 9	> 9
Alarm vysokého rosného bodu sušiča	°C	> -20	> -20
Čas naplnenia vzdušníka z 0 do 7 bar	s	95	95
Rozmery (netto) š x h x v	mm	1085x675x1050	1260x830x1205
Hmotnosť netto ^{c)}	kg	168	258
Klasifikácia podľa EN 60 601-1		Trieda I.	

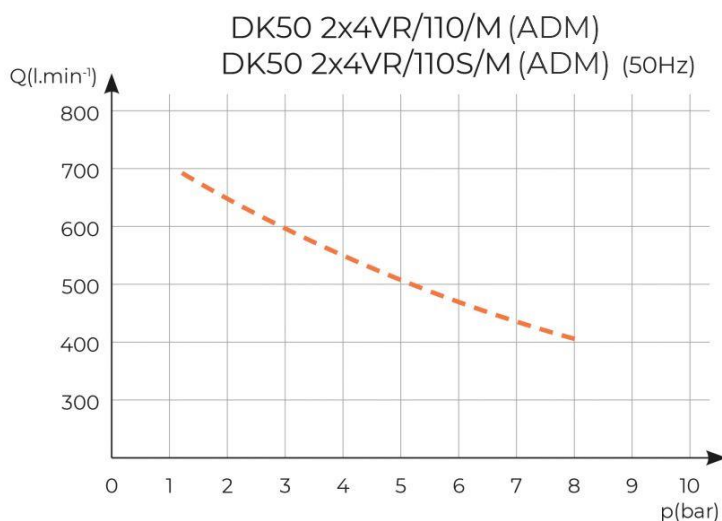
^{a)} Prevedenie kompresora uviesť pri objednávaní

^{b)} Iný rozsah tlaku konzultovať s dodávateľom

^{c)} Hodnota hmotnosti je informatívny údaj, platí len pre výrobok bez doplnkového vybavenia

^{d)} Platí pri teplote okolia <30°C (PDP – pressure dew point – tlakový rosný bod)

Závislosť výkonnosti kompresora od pracovného tlaku



Pracovný tlak 6 – 8 bar		DK50 2x4VR/110/M	DK50 2x4VR/110S/M
Menovité napätie, Frekvencia ^{a)}	V, Hz	3x400V, 50Hz	3x400V, 50Hz
Výkonnosť pri pretlaku 6 bar (FAD)	l/min	450	450
Pracovný tlak ^{b)}	bar	6,0 – 8,0	6,0 – 8,0
Menovitý prúd	A	10,8	11,2
Výkon motora	kW	2x2.2	2x2.2
Objem vzdušníka	l	110	110
Kvalita vzduchu – filtrácia	µm	-	-
Povolený prevádzkový tlak poistného ventilu	bar	9,0	9,0
Hladina hluku pri pretlaku 5 bar (L _{pA})	dB	≤ 77,5	≤ 62,0
Režim prevádzky	%	S1-100	S1-100
Stupeň sušenia - PDP pri 7 bar ^{d)}	°C	≤ - 40	≤ - 40
Alarm nízkeho tlaku sušiča	bar	< 3	< 3
Alarm vysokého tlaku sušiča	bar	> 9	> 9
Alarm vysokého rosného bodu sušiča	°C	> -40	> -40
Čas naplnenia vzdušníka z 0 do 7 bar	s	100	100
Rozmery (netto) š x h x v	mm	1085x675x1050	1260x830x1205
Hmotnosť netto ^{c)}	kg	168	258
Klasifikácia podľa EN 60 601-1		Trieda I.	

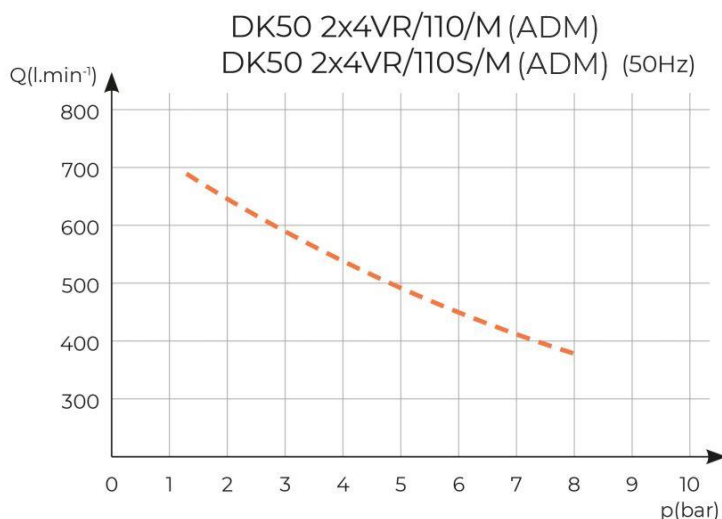
^{a)} Prevedenie kompresora uviesť pri objednávaní

^{b)} Iný rozsah tlaku konzultovať s dodávateľom

^{c)} Hodnota hmotnosti je informatívny údaj, platí len pre výrobok bez doplnkového vybavenia

^{d)} Platí pri teplote okolia <30°C (PDP – pressure dew point – tlakový rosný bod)

Závislosť výkonnosti kompresora od pracovného tlaku



Pracovný tlak 8 – 10 bar		DK50 2x4VR/110/M	DK50 2x4VR/110S/M
Menovité napätie, Frekvencia ^{a)}	V, Hz	3x400V, 50Hz	3x400V, 50Hz
Výkonnosť pri pretlaku 8 bar (FAD)	l/min	395	395
Pracovný tlak ^{b)}	bar	8,0 – 10,0	8,0 – 10,0
Menovitý prúd	A	10,3	10,8
Výkon motora	kW	2x2.2	2x2.2
Objem vzdušníka	l	110	110
Kvalita vzduchu – filtrácia	µm	-	-
Povolený prevádzkový tlak poistného ventilu	bar	12,0	12,0
Hladina hluku pri pretlaku 5 bar (L _{pA})	dB	≤ 77,5	≤ 62,0
Režim prevádzky	%	S1-100	S1-100
Stupeň sušenia - PDP pri 7 bar ^{d)}	°C	≤ - 20	≤ - 20
Alarm nízkeho tlaku sušiča	bar	< 3	< 3
Alarm vysokého tlaku sušiča	bar	> 11	> 11
Alarm vysokého rosného bodu sušiča	°C	> -20	> -20
Čas naplnenia vzdušníka z 0 do 7 bar	s	115	115
Rozmery (netto) š x h x v	mm	1085x675x1050	1260x830x1205
Hmotnosť netto ^{c)}	kg	168	258
Klasifikácia podľa EN 60 601-1		Trieda I.	

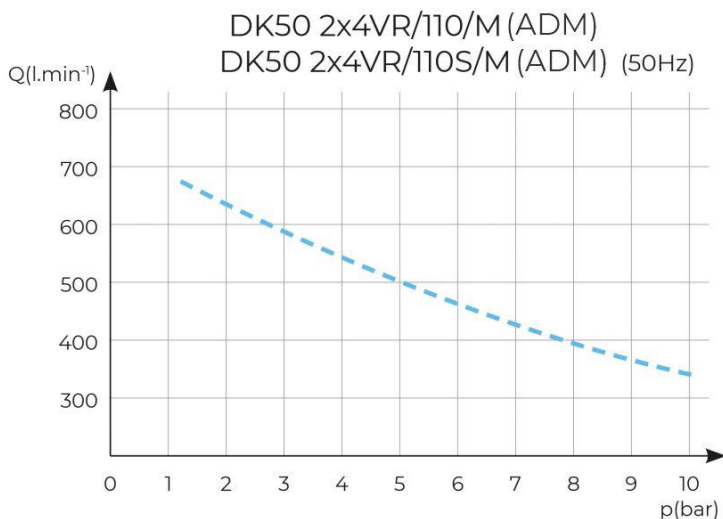
^{a)} Prevedenie kompresora uviesť pri objednávaní

^{b)} Iný rozsah tlaku konzultovať s dodávateľom

^{c)} Hodnota hmotnosti je informatívny údaj, platí len pre výrobok bez doplnkového vybavenia

^{d)} Platí pri teplote okolia <30°C (PDP – pressure dew point – tlakový rosný bod)

Závislosť výkonnosti kompresora od pracovného tlaku



Pracovný tlak 8 – 10 bar		DK50 2x4VR/110/M	DK50 2x4VR/110S/M
Menovité napätie, Frekvencia ^{a)}	V, Hz	3x400V, 50Hz	3x400V, 50Hz
Výkonnosť pri pretlaku 8 bar (FAD)	l/min	380	380
Pracovný tlak ^{b)}	bar	8,0 – 10,0	8,0 – 10,0
Menovitý prúd	A	10,3	10,8
Výkon motora	kW	2x2.2	2x2.2
Objem vzdušníka	l	110	110
Kvalita vzduchu – filtrácia	µm	-	-
Povolený prevádzkový tlak poistného ventilu	bar	12,0	12,0
Hladina hluku pri pretlaku 5 bar (L _{pA})	dB	≤ 77,5	≤ 62,0
Režim prevádzky	%	S1-100	S1-100
Stupeň sušenia - PDP pri 7 bar ^{d)}	°C	≤ - 40	≤ - 40
Alarm nízkeho tlaku sušiča	bar	< 3	< 3
Alarm vysokého tlaku sušiča	bar	>11	> 11
Alarm vysokého rosného bodu sušiča	°C	> -40	> -40
Čas naplnenia vzdušníka z 0 do 7 bar	s	120	120
Rozmery (netto) š x h x v	mm	1085x675x1050	1260x830x1205
Hmotnosť netto ^{c)}	kg	168	258
Klasifikácia podľa EN 60 601-1		Trieda I.	

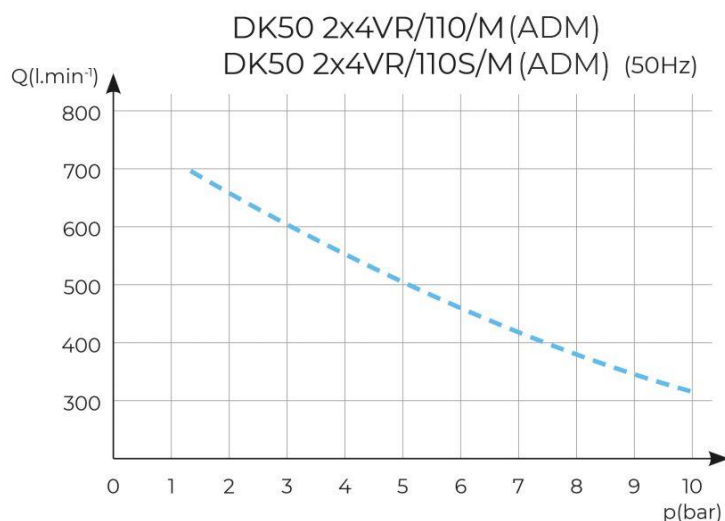
^{a)} Prevedenie kompresora uviesť pri objednávaní

^{b)} Iný rozsah tlaku konzultovať s dodávateľom

^{c)} Hodnota hmotnosti je informatívny údaj, platí len pre výrobok bez doplnkového vybavenia

^{d)} Platí pri teplote okolia <30°C (PDP – pressure dew point – tlakový rosný bod)

Závislosť výkonnosti kompresora od pracovného tlaku



Korekcia FAD výkonnosti podľa nadmorskej výšky

Výkonnosť udávaná vo forme FAD („Free Air Delivery“) sa vzťahuje na podmienky:

Nadmorská výška	0 m.n.m.	Teplota	20°C
Atmosférický tlak	101325 Pa	Relatívna vlhkosť	0%

Pre prepočet FAD výkonnosti kompresora v závislosti od nadmorskej výšky je potrebné aplikovať korekčný faktor podľa nasledujúcej tabuľky:

Nadm. výška [m.n.m.]	0 -1500	1501 - 2500	2501 - 3500	3501 - 4500
Korekčný faktor FAD	1	0,8	0,71	0,60

Vyhlásenie k elektromagnetickej kompatibilite

Prístroj vyžaduje špeciálnu obozretnosť týkajúcu sa elektromagnetickej kompatibility (EMC) a vyžaduje inštaláciu a uvedenie do prevádzky v súlade s EMC informáciami uvedenými nižšie.


Smernice a vyhlásenie výrobcu – elektromagnetické vyžarovanie		
Podľa IEC 60601-1-2:2014/AMD1:2020 - Zdravotnícke elektrické prístroje. Časť 1-2: Všeobecné požiadavky na základnú bezpečnosť a nevyhnutné prevádzkové vlastnosti. Prídružená norma: Elektromagnetické rušenia		
Prístroj je určený pre použitie v elektromagnetickom prostredí špecifikovanom nižšie. Zákazník alebo užívateľ by mali zaistiť, aby bol prístroj používaný v takom prostredí.		
Test vyžarovania	Zhoda	Elektromagnetické prostredie - návod
RF vyžarovanie CISPR 11	Skupina 1	Prístroj využíva RF energiu len pre svoje vnútorné funkcie. Preto sú RF emisie veľmi nízke a pravdepodobne nespôsobia rušenie okolitých elektronických zariadení.
RF vyžarovanie CISPR 11	Trieda B	Prístroj je vhodný pre použitie vo všetkých zariadeniach vrátane domácich prevádzok a zariadení priamo napojených na verejnú sieť nízkeho napätia, napájajúcu obytné budovy.
Harmonické vyžarovanie IEC 61000-3-2	Trieda A	
Kolívanie napätia / blikanie IEC 61000-3-3	Prístroj pravdepodobne nebude spôsobovať blikanie, pretože prúd po spustení je približne konštantný.	

Smernice a vyhlásenie výrobcu - elektromagnetická odolnosť			
Podľa IEC 60601-1-2:2014/AMD1:2020 - Zdravotnícke elektrické prístroje. Časť 1-2: Všeobecné požiadavky na základnú bezpečnosť a nevyhnutné prevádzkové vlastnosti. Pridružená norma: Elektromagnetické rušenia			
Prístroj je určený pre použitie v elektromagnetickom prostredí špecifikovanom nižšie. Zákazník alebo užívateľ by mali zaistiť, aby bol prístroj používaný v takom prostredí.			
Test odolnosti	Úroveň testu IEC 60601-1-2	Úroveň zhody	Elektromagnetické prostredie - návod
Elektrostatický výboj (ESD) podľa IEC 61000-4-2	±8 kV kontakt ±15 kV vzduch	±8 kV kontakt ±15 kV vzduch	Podlaha by mala byť drevená, betónová alebo keramická. Ak je podlaha pokrytá syntetickým materiálom, musí byť relatívna vlhkosť vzduchu aspoň 30 %.
Rýchle elektrické prechodné javy / skupiny impulzov IEC 61000-4-4	±2 kV pre elektrické rozvody ±1 kV pre vstupné / výstupné rozvody	±2 kV 100 kHz frekvencia opakovania Pripojené na sieť	Kvalita elektrického napájania by mala byť typická pre komerčné alebo nemocničné prostredie.
Rázový impulz IEC 61000-4-5	±1 kV rozdielový režim ±2 kV spoločný režim	±1 kV L-N ±2 kV L-PE; N-PE Pripojené na sieť	Kvalita elektrického napájania by mala byť typická pre komerčné alebo nemocničné prostredie.
Pokles napätia, krátke prerušenie a zmeny napätia na vstupných elektrických rozvodoch IEC 60601-4-11	$U_T=0\%$, 0,5 cyklu (pri 0, 45, 90, 135, 180, 225, 270 a 315°) $U_T=0\%$, 1 cyklus $U_T=70\%$ 25/30 cyklov (pri 0°) $U_T=0\%$, 250/300 cyklov	$U_T=>95\%$, 0,5 cyklu (pri 0, 45, 90, 135, 180, 225, 270 a 315°) $U_T=>95\%$, 1 cyklus $U_T=70\%$ (30% pokles U_T), 25(50Hz)/30(60Hz) cyklov (pri 0°) $U_T=>95\%$, 250(50Hz)/300(60Hz) cyklov	Kvalita elektrického napájania by mala byť typická pre komerčné alebo nemocničné prostredie. Prístroj sa automaticky zastaví a reštartuje pri každom poklese napätia. V tomto prípade nedochádza k neprijateľnému poklesu tlaku.
Magnetické pole sieťovej frekvencie (50/60 Hz) podľa IEC 61000-4-8	N/A	N/A	Prístroj neobsahuje komponenty citlivé na magnetické pole.
Vyžarované polia v tesnej blízkosti podľa IEC 61000-4-39	N/A	N/A	Prístroj neobsahuje komponenty citlivé na magnetické pole.
POZNÁMKA: U_T je AC sieťové napájanie pred aplikáciou testovacej úrovne.			

Smernice a vyhlásenie výrobcu - elektromagnetická odolnosť

Podľa IEC 60601-1-2:2014/AMD1:2020 - Zdravotnícke elektrické prístroje. Časť 1-2: Všeobecné požiadavky na základnú bezpečnosť a nevyhnutné prevádzkové vlastnosti. Pridružená norma: Elektromagnetické rušenia

Prístroj je určený pre použitie v elektromagnetickom prostredí špecifikovanom nižšie. Zákazník alebo užívateľ by mali zaistiť, aby bol prístroj používaný v takom prostredí.

Test odolnosti	Úroveň testu IEC 60601-1-2	Úroveň zhody	Elektromagnetické prostredie - návod
Frekvencie šírené vedením IEC 61000-4-6	3 Vrms 150 kHz až 80MHz	3 Vrms	Prenosné a mobilné rádio-frekvenčné komunikačné zariadenia vrátane káblov by sa nemali používať vo vzdialenosti od prístroja menšej, než je odporúčaná vzdialenosť vypočítaná pomocou rovnice pre frekvenciu vysielateľa. Odporúčaná ochranná vzdialenosť $d=1,2\sqrt{P}$ $d=1,2\sqrt{P}$, 80 MHz až 800 MHz $d=2,3\sqrt{P}$, 800 MHz až 2,7 GHz kde P je maximálny menovitý výkon vysielateľa vo wattoch (W) podľa údajov výrobcu vysielateľa a d je odporúčaná ochranná vzdialenosť v metroch (m).
Frekvencie šírené vyžarovaním IEC 61000-4-3	3 V/m 80 MHz až 2,7 GHz	3 V/m	Intenzita poľa od pevných rádio-frekvenčných vysielateľov, ako bola určená prieskumom polohy lokality ^a , by mala byť nižšia ako úroveň zhody pre každý frekvenčný rozsah ^b . K rušeniu môže prísť v blízkosti zariadení označených nasledujúcim symbolom:
Blízke polia od RF bezdrôtových komunikačných prístrojov IEC 61000-4-3	9 až 28 V/m 15 určených frekvencií (380 až 5800 MHz)	9 až 28 V/m 15 určených frekvencií (380 až 5800 MHz)	

POZNÁMKA 1 Pri 80 MHz a 800 MHz platí vyšší frekvenčný rozsah.

POZNÁMKA 2 Tieto smernice nemusia platiť za všetkých okolností. Šírenie elektromagnetického vlnenia ovplyvňuje schopnosť absorpcie a odrazivosti budov, objektov a osôb.

^a Intenzitu poľa pevných vysielateľov, ako sú napríklad vykrývače mobilných telefónov a pozemné mobilné rádiostanice, amatérske rádiostanice, rozhlasové vysielateľe v pásmach AM a FM a televízne vysielateľe, nie je možné presne teoreticky predpovedať. Pre posúdenie elektromagnetického prostredia z hľadiska pevných vysielateľov by mal byť zvážený prieskum lokality. Ak nameraná intenzita poľa na mieste, na ktorom je prístroj používaný, prekročí vyššie uvedenú úroveň zhody, je potrebné prístroj pozorovať, aby bolo možné overiť jeho riadne fungovanie. Neobvyklé správanie si môže vyžadovať dodatočné opatrenia, napr. iné nasmerovanie alebo premiestnenie prístroja.

^b Nad frekvenčným rozsahom 150 kHz až 80 MHz by intenzita poľa mala byť nižšia než 3 V/m.

INŠTALÁCIA**Nebezpečenstvo nesprávnej inštalácie.**

Kompresor smie inštalovať a po prvýkrát uviesť do prevádzky len kvalifikovaný odborník. Jeho povinnosťou je zaškoliť obsluhujúci personál o používaní a údržbe zariadenia. Inštaláciu a zaškolenie obsluhy potvrdí zápisom v zázname o inštalácii zariadenia (pozri Prílohu).

10. INŠTALAČNÉ PODMIENKY

- Kompresor sa smie inštalovať a prevádzkovať len v suchých, dobre vetraných a bezprašných priestoroch pri podmienkach uvedených v Technických údajoch.

**Nebezpečenstvo poškodenia zariadenia.**

Zariadenie nesmie byť prevádzkované vo vonkajšom prostredí, ani vo vlhkom alebo mokrom prostredí.

**Nebezpečenstvo výbuchu.**

Zariadenie je zakázané používať v priestoroch s prítomnosťou výbušných plynov, prachov alebo horľavých kvapalín.

**Nebezpečenstvo popálenia alebo požiaru. Pozor horúci povrch.**

Pri činnosti kompresora sa časti agregátu, časti sušiča zohrejú na vysoké teploty nebezpečné pre dotyk obsluhy alebo materiálu.

- Kompresor sa musí inštalovať tak, aby bol ľahko prístupný pre obsluhu a údržbu a aby bol prístupný výrobný štítok.
- Kompresor musí stáť na rovnom, dostatočne stabilnom podklade (pozor na hmotnosť kompresora, pozri Technické údaje).

**Nebezpečenstvo vysokej teploty.**

Je zakázané vytvárať prekážky pre prúdenie vzduchu pred a za chladičom sušiča. Môže dôjsť k nebezpečnému nárastu teploty vnútorných aj vonkajších častí sušiča.



Pri prvom uvedení do prevádzky môžete dočasne (na krátky čas) cítiť charakteristický pach nového výrobku. Tento pach je len krátkodobý a nebráni riadnemu používaniu výrobku. Po inštalácii zabezpečte vetranie miestnosti.

11. ZOSTAVENIE KOMPRESORA**11.1. Manipulácia a odfixovanie**

- Vybaľiť kompresor z obalu.
- Pri kompresore so skrinkou odmontovať dvere uchytené skrutkami a pri DK50 4VR/50S/M sňať spojovaciu lištu (41) v prednej spodnej časti skrinky. Sňať skrinku z kompresora.
- Odfixovať kompresor z palety povolením fixačných skrutiek (Obr. 5).
- Uložiť kompresor na miesto prevádzky (Obr. 6).

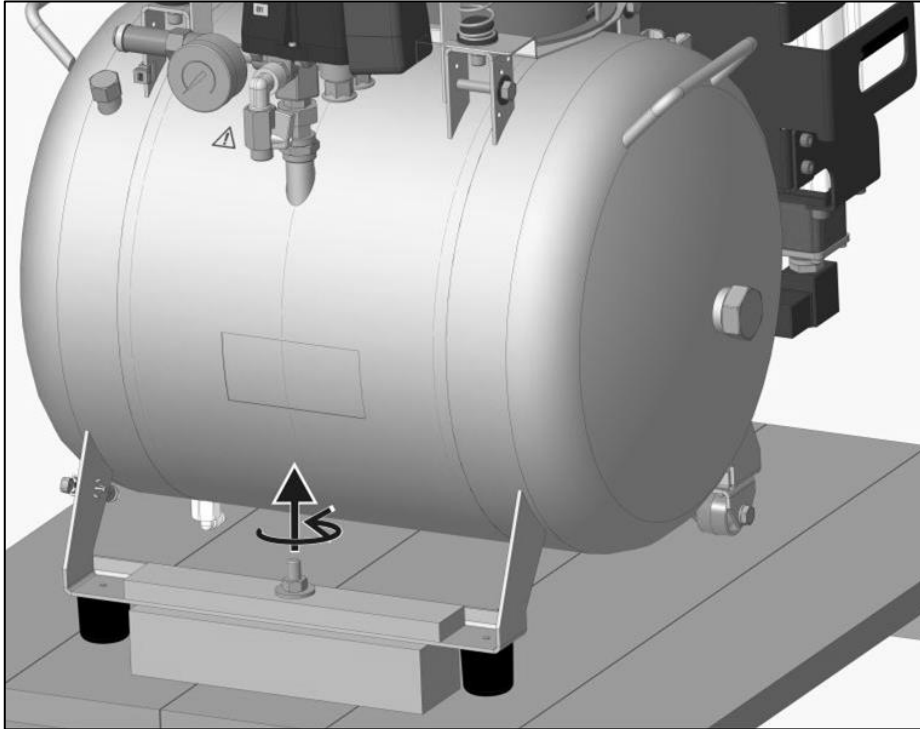


Pri manipulácii s kompresorom používať na uchopenie úchopné madlá kompresora. Na uchopenie nepoužívať iné časti kompresora (agregát, chladič a pod.).

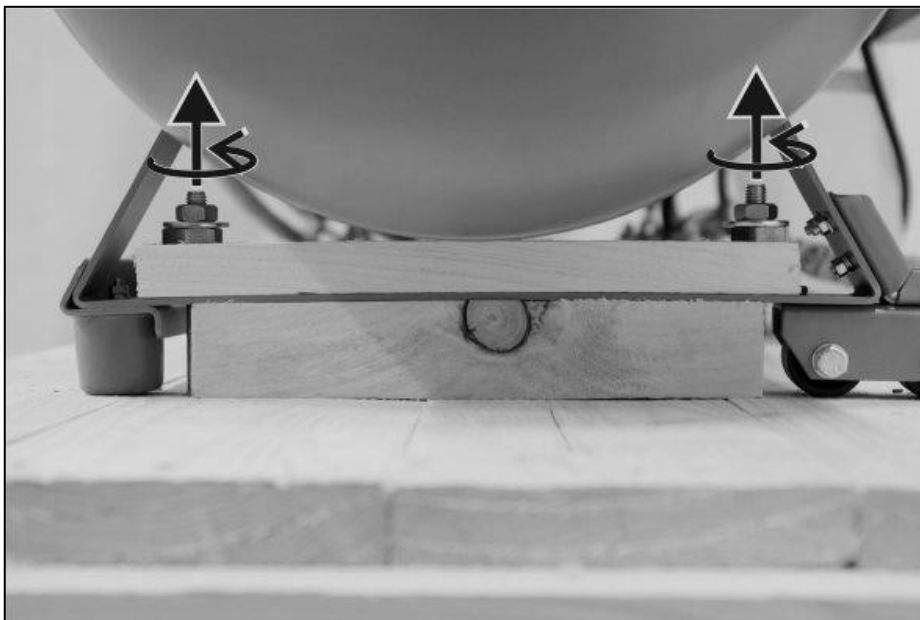


Pri manipulácii so zariadením je potrebné prispôbiť počet osôb podľa hmotnosti zariadenia.

Obr. 5: Odstránenie prepravnej fixácie

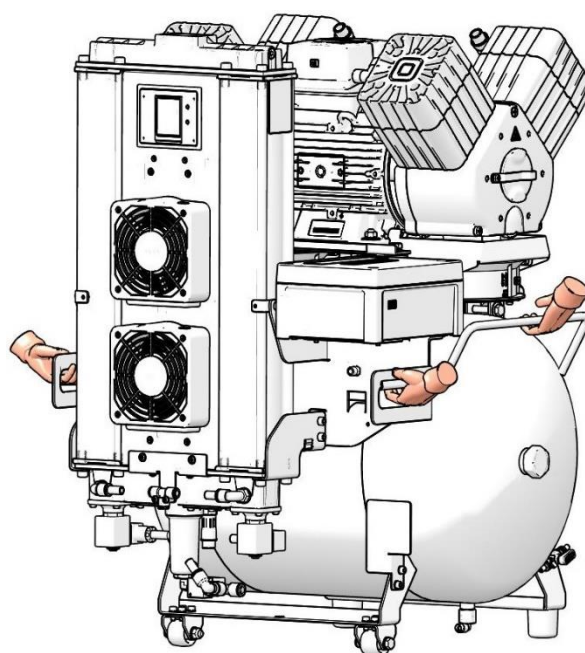
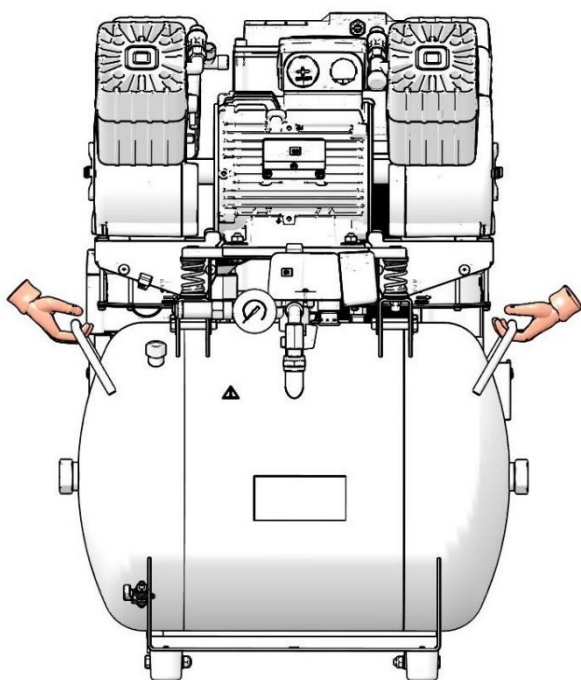
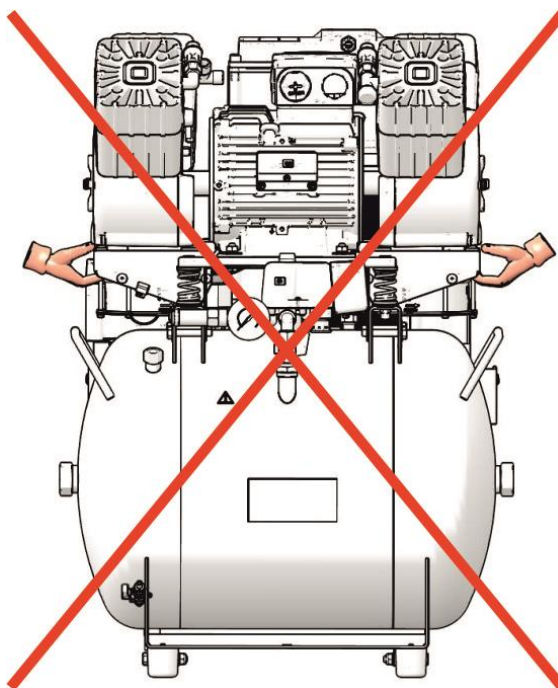


DK50 4VR/50

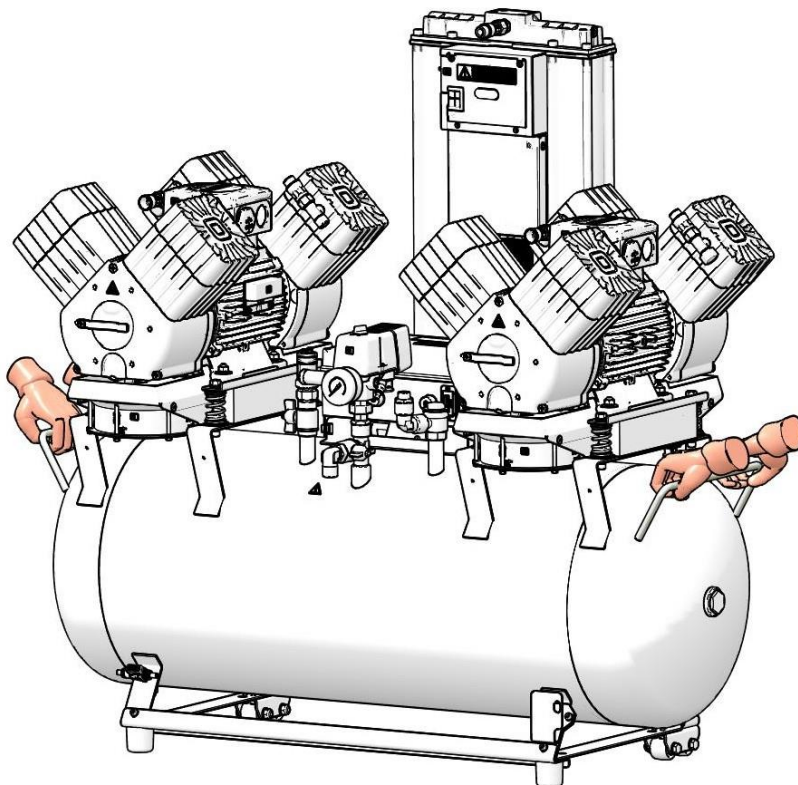
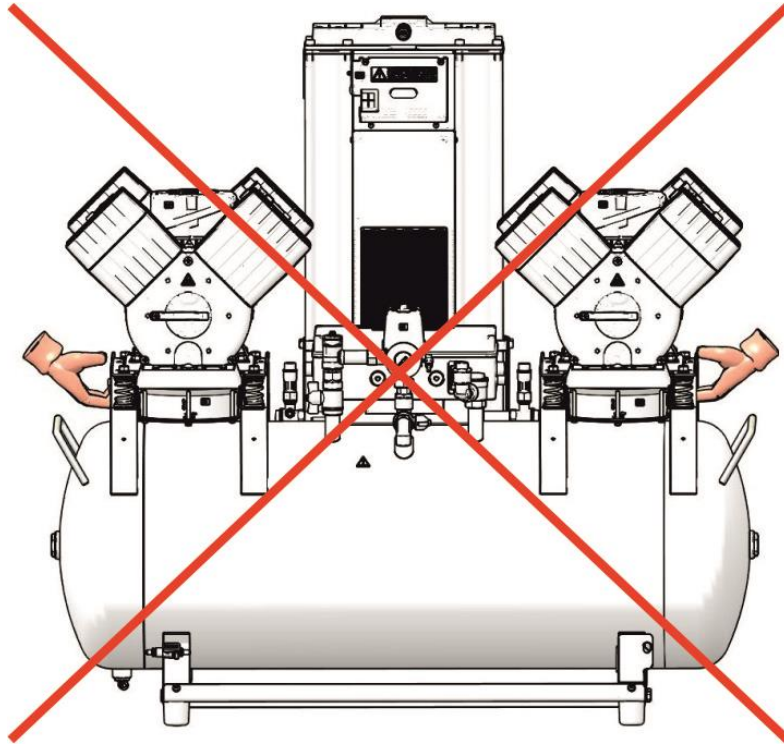


DK50 2x4VR/110

Obr. 6: Manipulácia s kompresorom



DK50 4VR/50



DK50 2x4VR/110

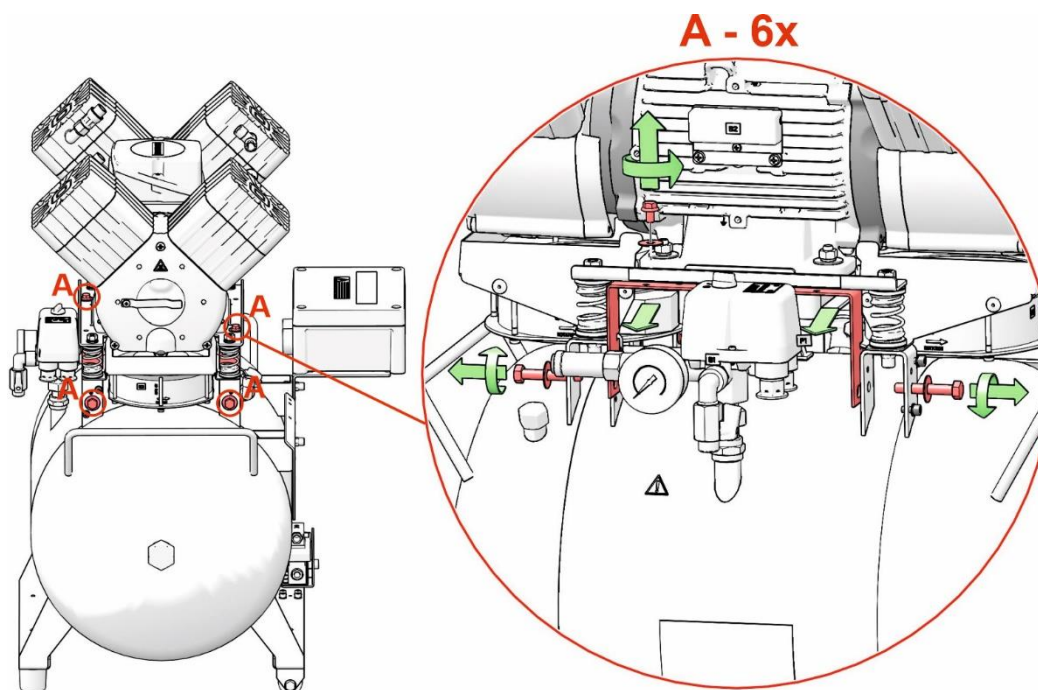
- Odstrániť transportné zaistenie agregátov, horné skrutky odstrániť pomocou kľúča č. 10, bočné spodné skrutky odstrániť pomocou kľúča č. 13 (Obr. 7).



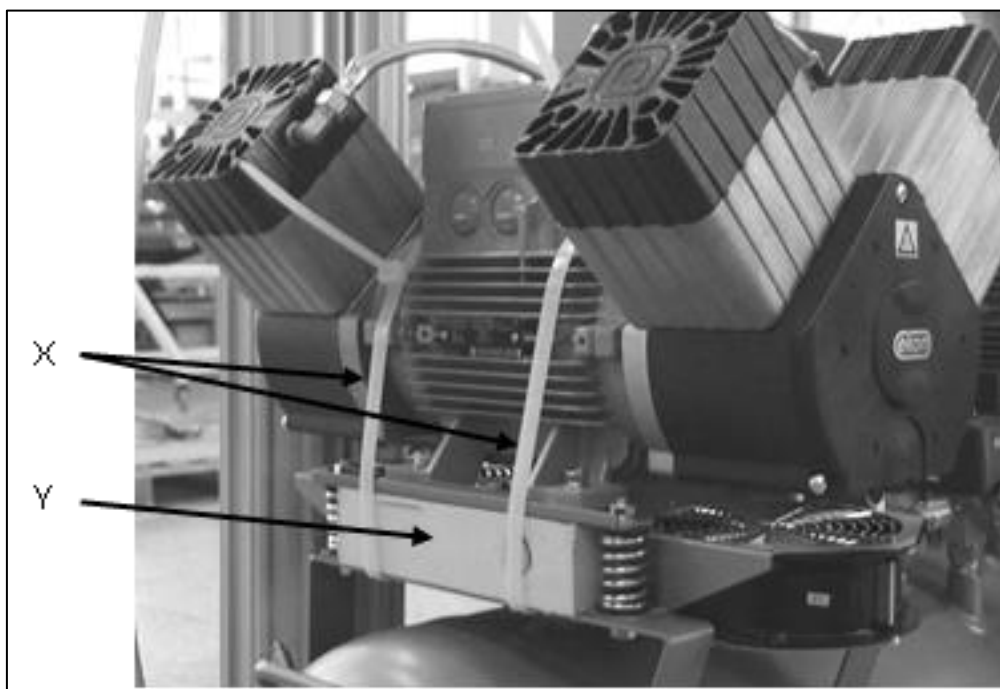
Pred prvým uvedením do prevádzky sa musia odstrániť všetky istiace prvky slúžiace na fixáciu zariadenia počas dopravy – inak hrozí poškodenie výrobku.

Fixačné prvky agregátov odstrániť až po zostavení a vyvážení kompresora na mieste konečného uloženia.

Obr. 7: Odfixovanie agregátu



DK50 4VR/50



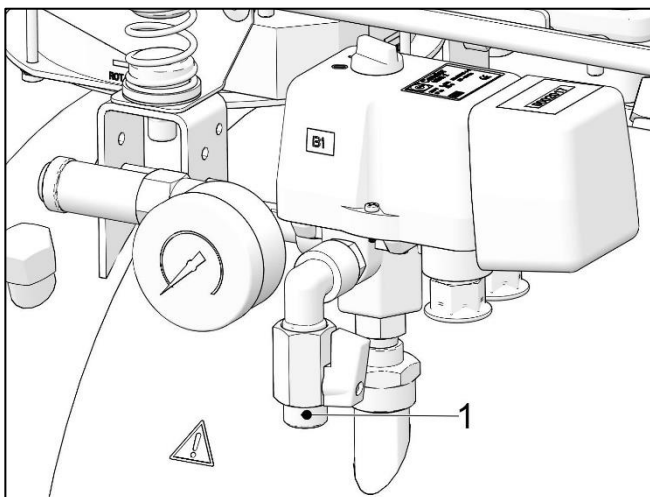
DK50 2x4VR/110

12. PNEUMATICKÉ PRIPOJENIE

12.1. Pripojenie k výstupu stlačeného vzduchu

- Na výstup stlačeného vzduchu kompresora (1) viesť tlakovú hadicu k spotrebiču.
- Pripojenie G3/8" (DK50 4VR/50), G1/2" (DK50 2x4VR/110),.
- Pri kompresore v skrinke vyviesť tlakovú hadicu cez otvor v zadnej stene skrinky.

DK50 4VR/50



DK50 2x4VR/110

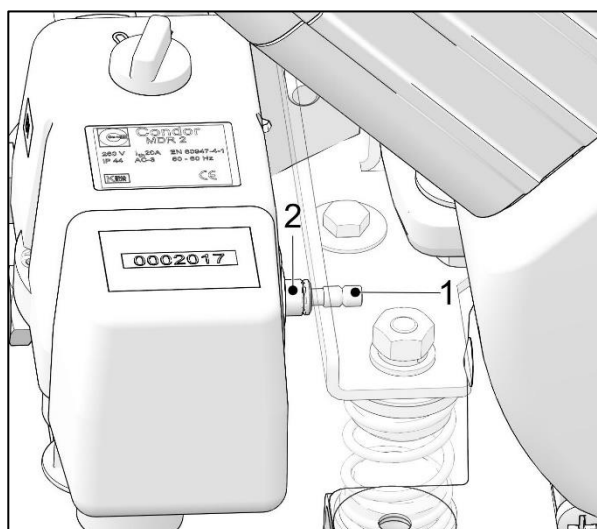


Obr. 8: Pripojenie k výstupu stlačeného vzduchu

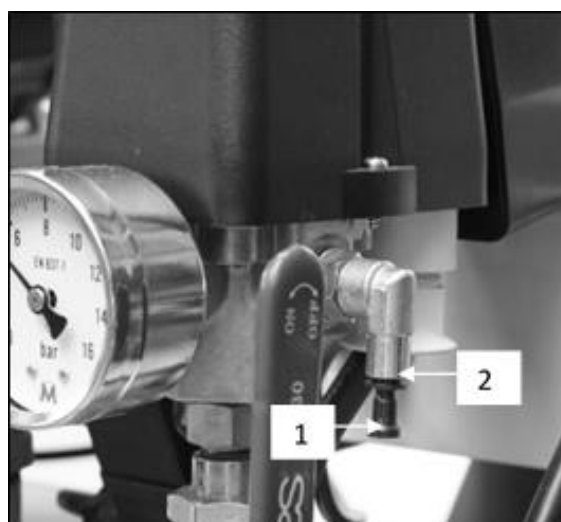
12.2. Pripojenie tlakomera skrinky ku kompresoru

- Odstrániť zátku (1) zo skrutkovania (2) na pneumatickom bloku kompresora.
- Hadičku manometra skrinky pripojiť ku skrutkovaniu.

DK50 4VR/50



DK50 2x4VR/110



Obr. 9: Pripojenie tlakomera skrinky ku kompresoru

12.3. Výstup kondenzátu

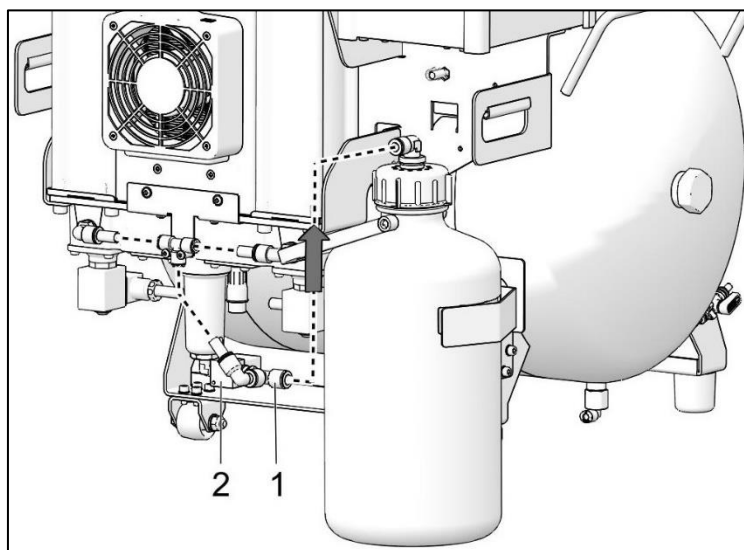


Nebezpečenstvo poranenia.

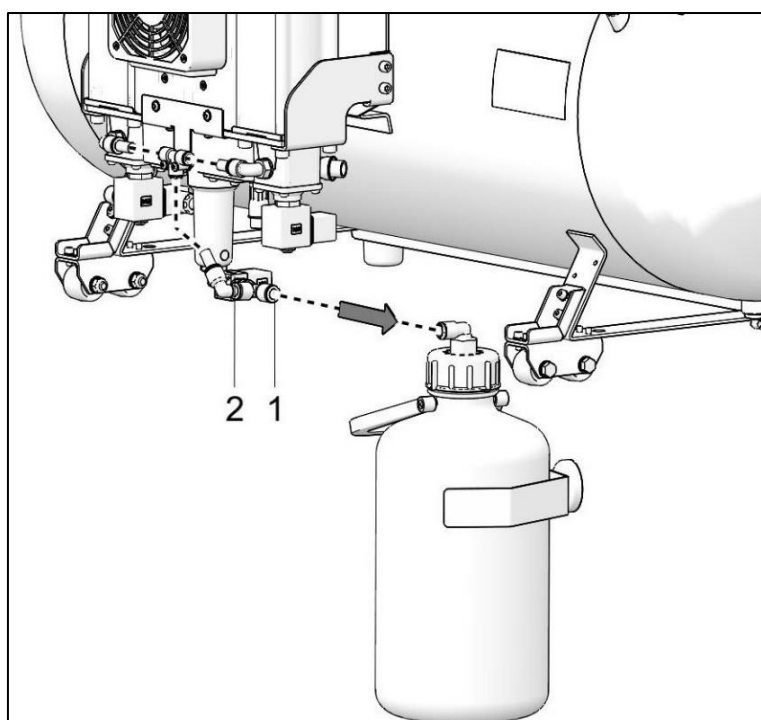
Odvod kondenzátu sa nesmie priamo pripojiť do odpadu! Môže dôjsť k poraneniu okoloidúcej osoby!

- Výstup (1) z automatického odvodu kondenzátu (2) pripojiť hadičkou do pribalenej zbernej nádoby.
- Pri kompresore v skrinke viesť hadičku cez zadný otvor v skrinke. Nádobu na zber kondenzátu uchytiť na bočný panel, alebo na zadný panel skrinky.

Obr. 10: Výstup kondenzátu



DK50 4VR/50/M



DK50 2x4VR/110/M



Nebezpečenstvo poškodenia pneumatických častí.
Vzduchové hadice nesmú byť zlomené.

13. ELEKTRICKÉ ZAPOJENIE

- Výrobok sa dodáva so šnúrou zakončenou vidlicou s ochranným kontaktom. Vidlicu sieťovej šnúry zapojiť do sieťovej zásuvky.
- Pri kompresore v skrinke vyviešť šnúru elektrického prívodu cez otvor v zadnej stene skrinky.
- Zásuvka musí byť z bezpečnostných dôvodov dobre prístupná, aby sa výrobok v prípade nebezpečenstva mohol bezpečne odpojiť zo siete.
- Príslušný prúdový okruh musí byť v rozvode elektrickej energie istený maximálne 16 A.



Nebezpečenstvo úrazu elektrickým prúdom.

Je nevyhnutne potrebné rešpektovať miestne elektrotechnické predpisy. Napätie siete a frekvencia musia súhlasiť s údajmi na prístrojovom štítku.



Nebezpečenstvo požiaru a úrazu elektrickým prúdom.

Elektrická šnúra na pripojenie na elektrickú sieť nesmie byť zlomená.



Nebezpečenstvo požiaru a úrazu elektrickým prúdom.

Elektrický kábel sa nesmie dotýkať horúcich častí kompresora.

- Kolík na ekvipotenciálne pospojovanie 6Ø mm (1) prepojiť s rozvodom spôsobom podľa platných elektrotechnických predpisov
- Zásuvka na ekvipotenciálne pospojovanie (2) je doplnkové príslušenstvo a nenachádza sa v základnom balení



Obr. 11: Ekvipotenciálne pospojovanie

- Nasunúť konektor uzemňovacieho vodiča na dvere a priskrutkovať na skrinku.

Prívod napájacieho napätia

Napájacie napätie	Typ elektrického vodiča
230V/50 (60) Hz	3Gx1.5x4000
400V/50 (60) Hz	5Gx1.5x4000

13.1. Zapojenie kompresora bez skrinky

- Vidlicu sieťovej šnúry zapojiť do sieťovej zásuvky
- Kompresor je pripravený k prevádzke

13.2. Zapojenie kompresora v skrinke

- Pri kompresore v skrinke vyviešť sieťovú šnúru cez otvor zadnej stene skrinky. (Obr. 12)
- Skrinku elektricky pripojiť ku kompresoru pomocou šnúry s konektorom do zásuvky. (Obr. 13)

- Skrinku elektricky odpojiť od kompresora vytiahnutím konektora zo zásuvky pri uvoľnenej západke.
- Pripojiť displej v predných dverách skrinky, šnúru k displeju zafixovať v príchytkách (1). V prípade výrobku DK50 4VR/50 S/M šnúru zafixovať v príchytku (1) vo dverách skrinky (Obr. 18). Pri výrobku DK50 2x4VR/110 S/M šnúru fixovať v troch príchytkách (1), v rámci plášťa skrinky (Obr. 22).



Obr. 12: Otvor v zadnej stene skrinky



Obr. 13: Zapojenie skrinky ku kompresoru

14. UMIESTNENIE KOMPRESORA DO SKRINKY

14.1. DK50 4VR/50 S/M (Obr. 4-A):

Demontáž dverí skrinky

- Odmontovať dvere uchytené 2 ks skrutkami a odpojiť konektor displeja a uzemňovací vodič.

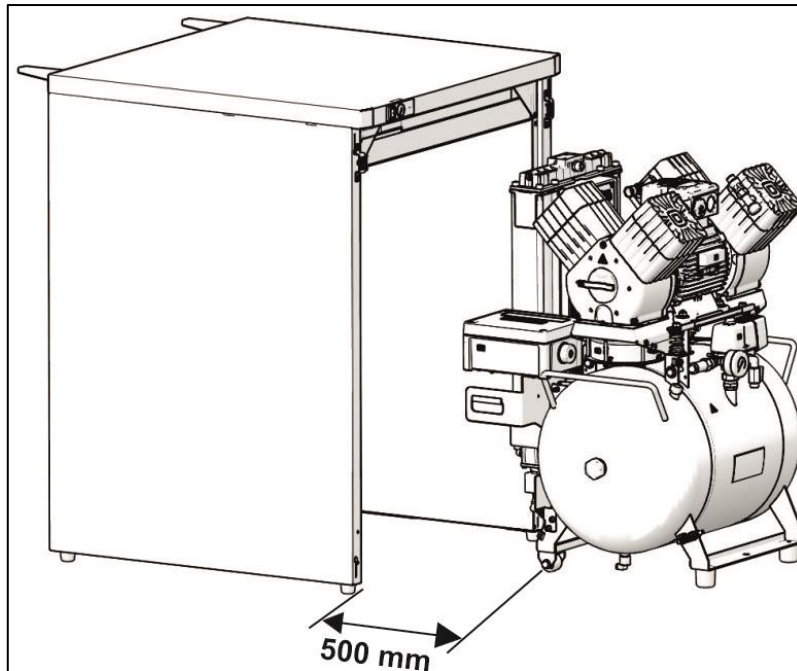


Pri demontáži predných dverí skontrolovať odpojenie konektoru displeja – hrozí jeho poškodenie.

Umiestnenie kompresora

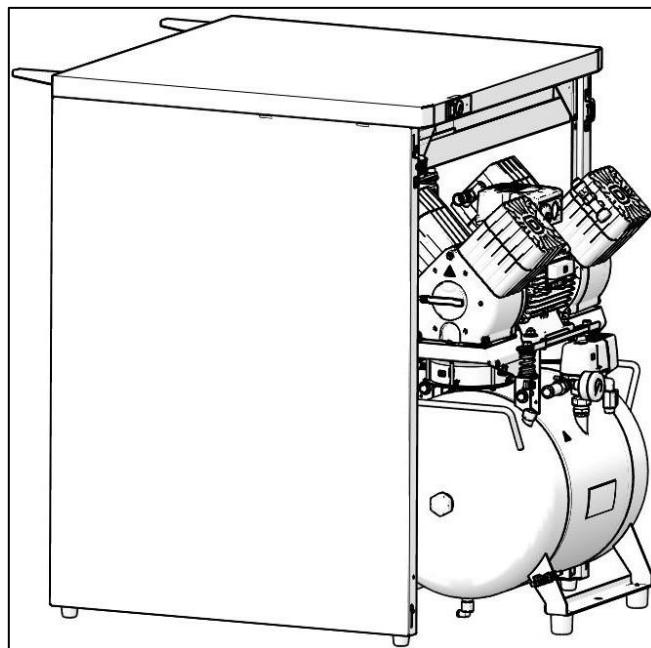
- Sňať spojovaciu lištu (41) v prednej spodnej časti skrinky.
- Kompresor umiestniť do vzdialenosti min. 500mm od skrinky, aby bolo možné manipulovať s

hadicami a napájacou šnúrou v rámci skrinky (Obr. 14).



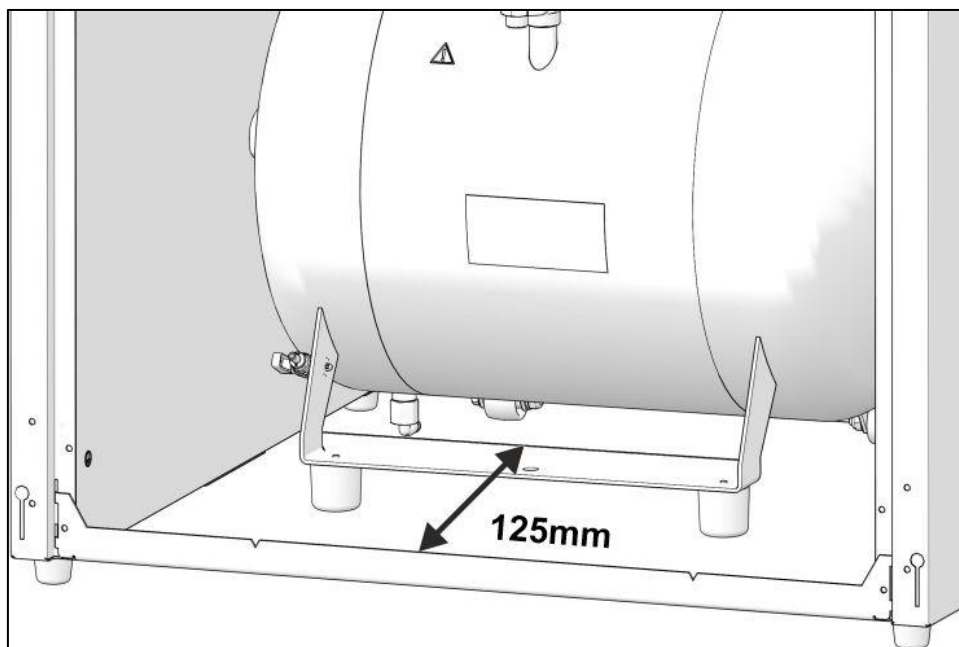
Obr. 14: Umiestnenie kompresora pre pripojenie

- Vykonať pneumatické zapojenie podľa kap. 12.1.
- Vykonať pripojenie nádoby na zber kondenzátu podľa kap. 12.3.
- Tlakovú hadicu, hadičku na odvod kondenzátu a sieťovú šnúru vyviešť cez otvor v zadnej stene skrinky.
- Kompresor umiestniť do takej vzdialenosti voči skrinke, aby bolo možné pripojiť winsta konektor na elektrické prepojenie kompresora so skrinkou (Obr. 13, Obr. 15).



Obr. 15: Umiestnenie kompresora pre elektrické zapojenie

- Kompresor elektricky zapojiť podľa kap. 13.
- Kompresor zasunúť do skrinky pomocou odľahu (35), spojovaciu lištu položiť pred skrinku a upraviť polohu kompresora tak, aby dva "V" zárezy na spojovacej lište (41), boli pred nohami kompresora (Obr. 4).
- Správne zasunutie kompresora do skrinky skontrolovať podľa kontrolného rozmeru (Obr. 16).



Obr. 16: Ustavenie kompresora DK50 4VR/50/M v skrinke

- Uložiť spojovaciu lištu (41) na pôvodné miesto v spodnej časti skrinky.
- Vykonať pripojenie tlakomera skrinky ku kompresoru podľa kap. 12.2.



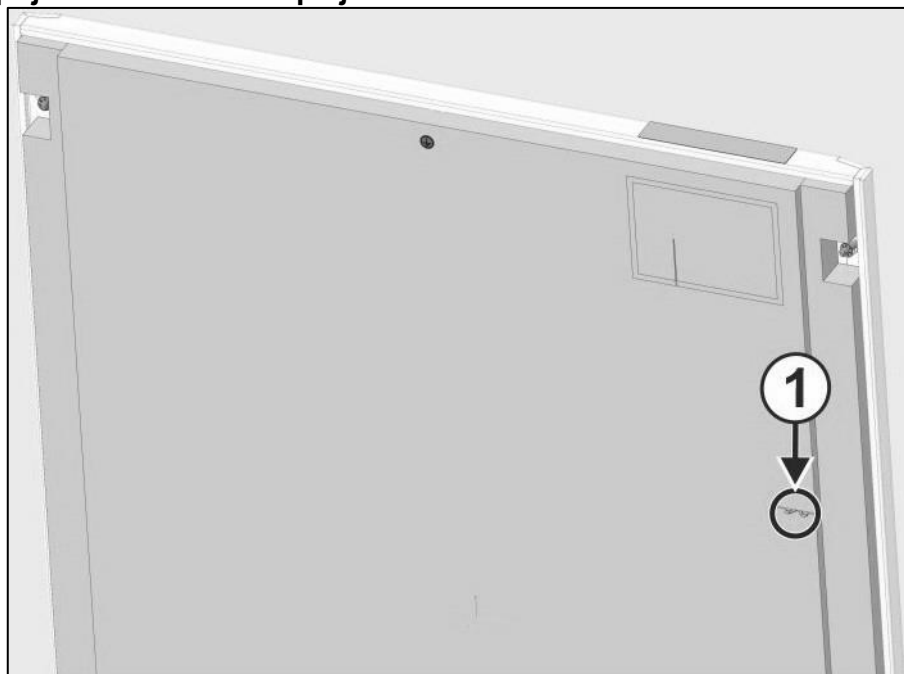
Kompresor sa nesmie zasunúť úplne do skrinky, inak hrozí trvalé poškodenie sušiča.

Montáž dverí skrinky

- Priložiť dvere ku skrinke, pripojiť konektor displeja (Obr. 17), šnúru k displeju zafixovať v príchytku (1) v predných dverách (Obr. 18).
- Pripojiť uzemňovací vodič ku dverám a dvere osadiť na skrinku a upevniť 2 ks skrutkami.



Obr. 17: Pripojenie konektora displeja



Obr. 18: Príchytka skrinky DK50 4VR/50 S/M

14.2. DK50 2x4VR/110 S/M (Obr. 4-B):

Otvorenie horného veka

- Nadvihnúť horné veko skrinky uchytением za madlo (42) tak, aby plynové perá udržali veko v otvorenej polohe.



Pri zatváraní veka skrinky treba zvýšiť opatrnosť - riziko privretia prstov rúk.

Po zavretí veka skrinky je vždy potrebné zaistiť rýchlopúínacie prvky!

Demontáž predného panelu skrinky

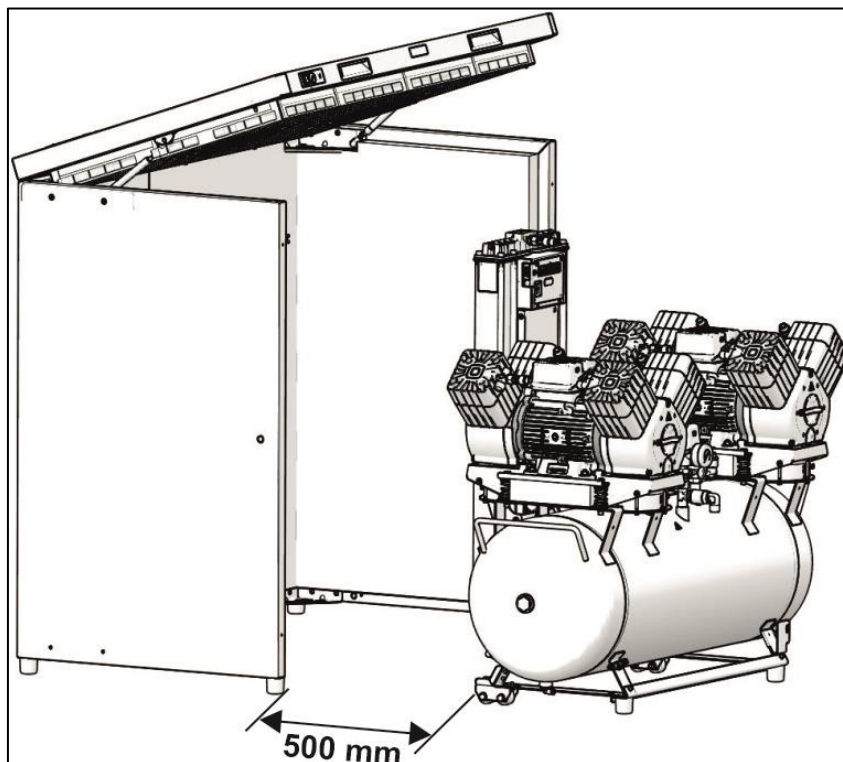
- Odmontovať dvere, uchytované 4 ks skrutkami M5 a odpojiť konektor displeja a uzemňovací vodič.



Pri demontáži predných dverí skontrolovať odpojenie konektoru displeja – hrozí jeho poškodenie.

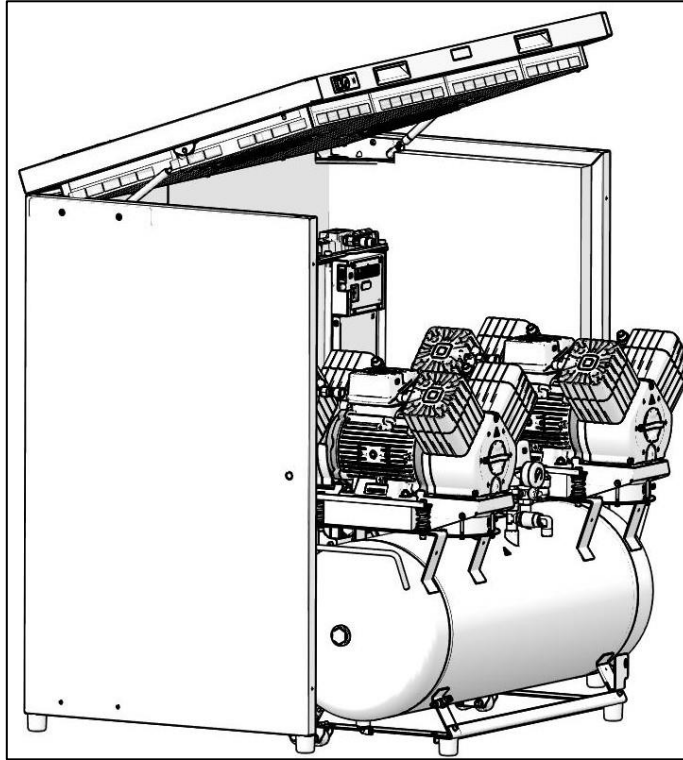
Umiestnenie kompresora

- Kompresor umiestniť do vzdialenosti min. 500mm od skrinky, aby bolo možné manipulovať s hadicami a napájacou šnúrou v rámci skrinky (Obr. 19).



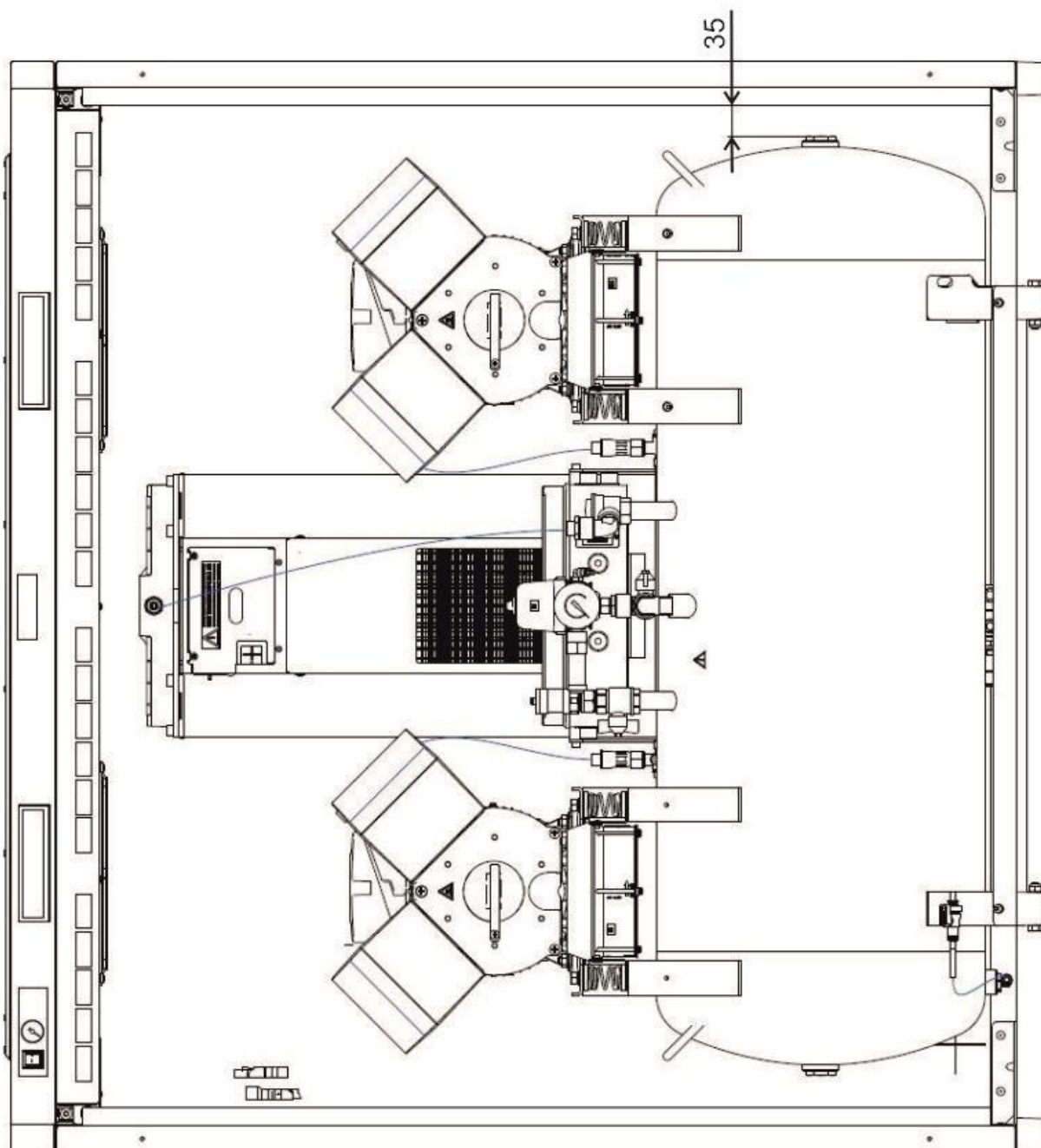
Obr. 19: Umiestnenie kompresora pre pripojenie

- Vykonať pneumatické zapojenie podľa kap. 12.1.
- Vykonať pripojenie nádoby na zber kondenzátu podľa kap. 12.3.
- Tlakovú hadicu, hadičku na odvod kondenzátu a sieťovú šnúru vyviesť cez otvor v zadnej stene skrinky.
- Kompresor umiestniť do takej vzdialenosti voči skrinke, aby bolo možné pripojiť winsta konektor na elektrické prepojenie kompresora so skrinkou (Obr. 13, Obr. 20).



Obr. 20: Umiestnenie kompresora pre elektrické zapojenie

- Kompresor elektricky zapojiť podľa kap. 13.
- Kompresor so sušičom zasunúť do skrinky tak, aby ventilátor sušiča bol nasunutý do otvoru vetracieho tunela v skrinke. Polohu kompresora v skrinke skontrolovať podľa Obr. 21.



Obr. 21: Umiestnenie kompresora do skrinky

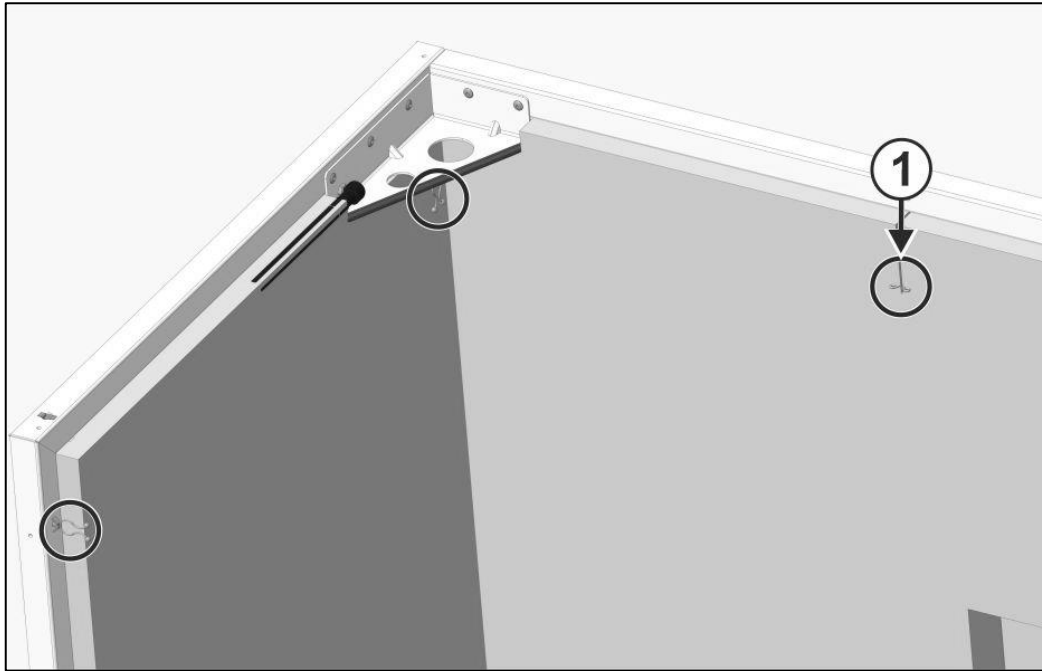
- Vykonať pripojenie tlakomera skrinky ku kompresoru podľa kap. 12.2.



Kompresor sa nesmie zasunúť úplne do skrinky, inak hrozí trvalé poškodenie sušiča.

Montáž predného panelu skrinky

- Priložiť dvere ku skrinke, pripojiť konektor displeja (Obr. 17), šúru k displeju zafixovať v príchytke (1) v predných dverách (Obr. 22).



Obr. 22: Príchytka skrinky DK50 2x4VR/110 S/M

- Pripojiť uzemňovací vodič ku dverám a dvere osadiť na skrinku a upevniť 4 ks skrutkami.

15. PRVÉ UVEDENIE DO PREVÁDZKY

- Skontrolovať, či boli odstránené všetky fixačné prvky použité počas prepravy.
- Skontrolovať správnosť pripojenia hadíc stlačeného vzduchu (pozri kap. 12).
- Skontrolovať správne pripojenie na elektrickú sieť (pozri kap.13).
- Skontrolovať polohu istiaceho vypínača, musí byť v polohe „I“. V prípade, že sa nachádza v polohe „0“, zapnúť vypínač (2) do polohy „I“ (Obr. 23).
- Pri kompresore v skrinke zapnúť aj vypínač (4) na prednej strane skrinky do polohy „I“, zelená kontrolka signalizuje stav zariadenia v prevádzke (Obr. 23).
- Skontrolovať zapojenie konektora skrinky ku kompresoru (Obr. 13).
- Skontrolovať zapojenie konektora k displeju v predných dverách skrinky.
- Skontrolovať pripojenie hadičky manometra skrinky k pneumatickému bloku kompresora (Obr. 9).
- Skontrolovať správne pripojenie hadičky z automatického odvodu kondenzátu do zbernej nádoby (Obr. 10).
- Skontrolovať nastavenie jazyka na displeji sušiča (pozri kap. 20.2).
- Skontrolovať nastavenie času a dátumu na displeji sušiča (pozri kap. 20.2).
- Skontrolovať nastavenie režimu sušenia (pozri kap. 20.4).

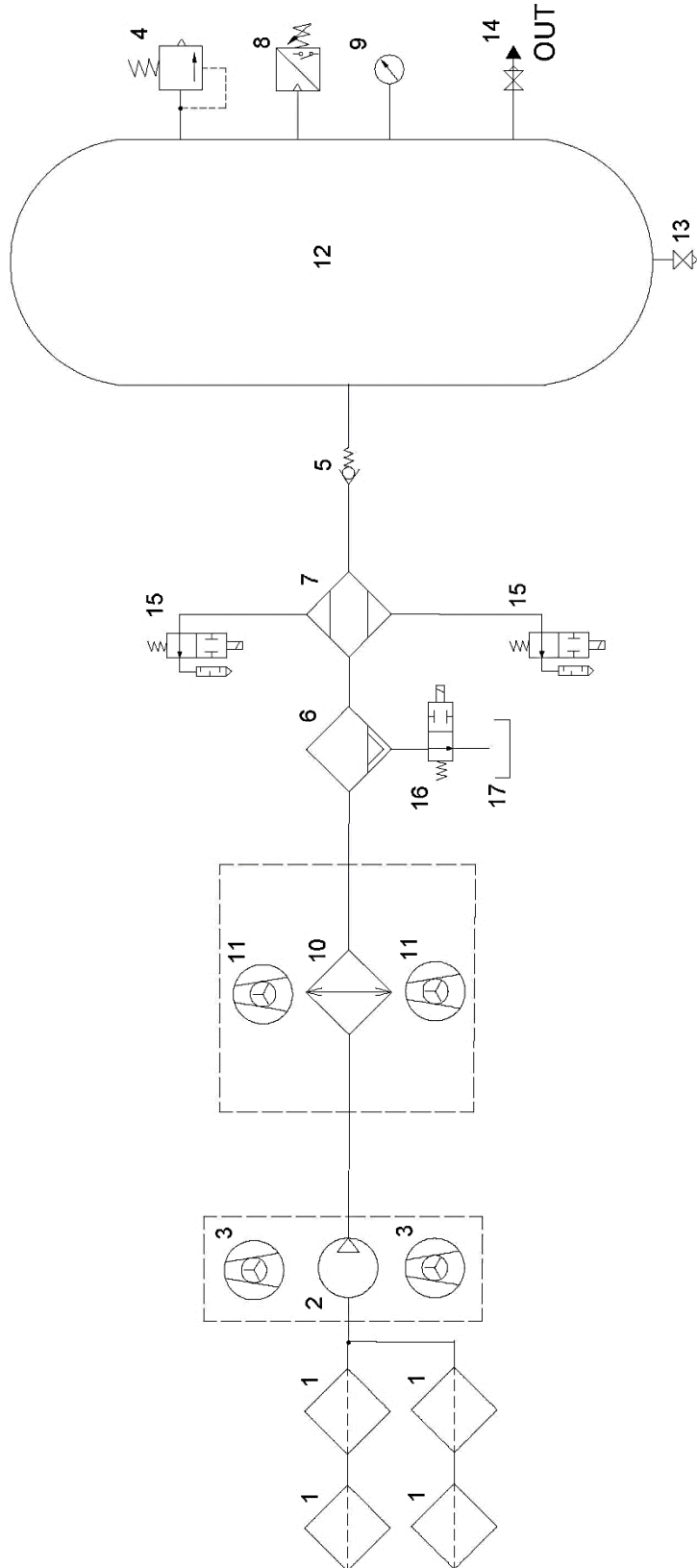


Kompresor neobsahuje záložný zdroj energie.

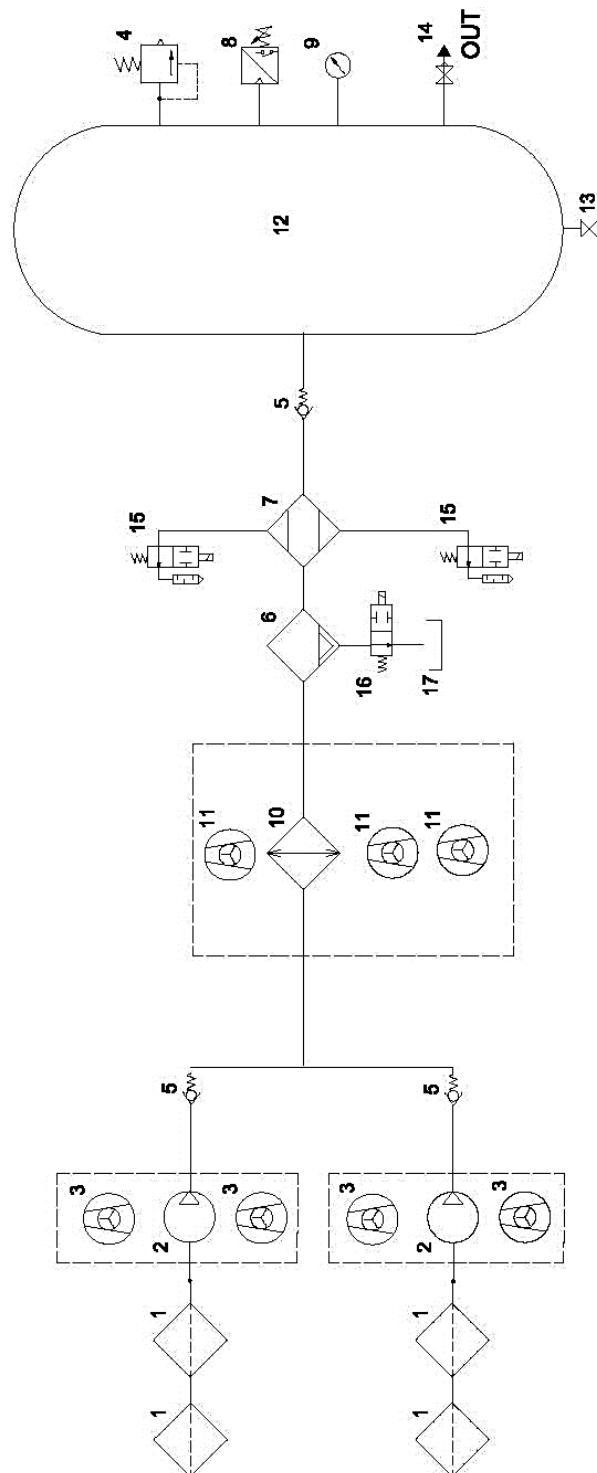
16. PNEUMATICKÉ A ELEKTRICKÉ SCHÉMY

16.1. Pneumatická schéma

DK50 4V/50/M



DK50 2x4VR/110/M



Popis k pneumatickým schémam:

- | | | | |
|---|----------------------|----|--|
| 1 | Vstupný filter | 9 | Tlakomer |
| 2 | Agregát | 10 | Chladič |
| 3 | Ventilátor | 11 | Ventilátor chladiča |
| 4 | Poistný ventil | 12 | Vzdušník |
| 5 | Spätný ventil | 13 | Vypúšťací ventil kondenzátu |
| 6 | Odlučovač kondenzátu | 14 | Výstupný ventil |
| 7 | Sušič | 15 | Solenoidný ventil sušiča – regeneračný |
| 8 | Tlakový spínač | 16 | Solenoidný ventil odvodu kondenzátu |
| | | 17 | Nádoba na zber kondenzátu |

16.2. Elektrické schémy

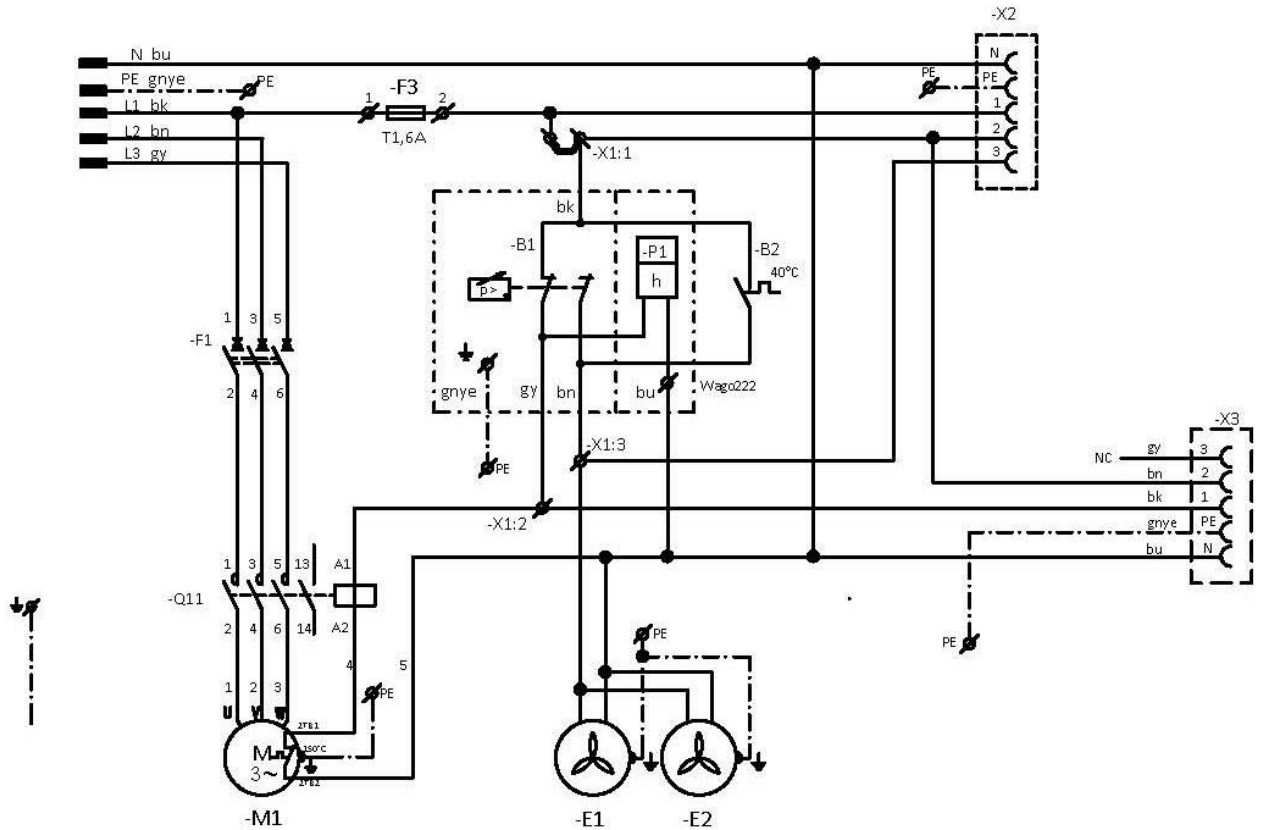
DK50 4VR/50/M

6 - 8 bar

3/N/PE~400V, 50Hz

ELEKTRICKÁ SIĚŤ TN-S [TN-C-S]

ELEKTRICKÝ PREDMET TR.1

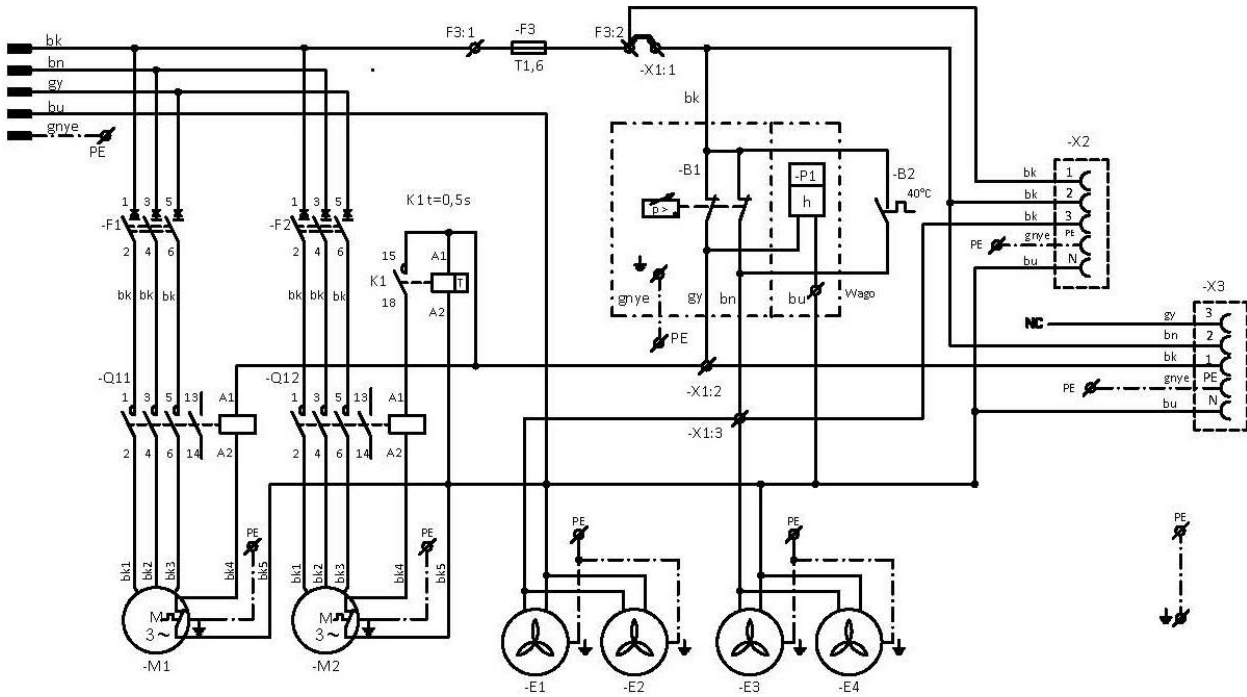


DK50 2x4VR/110/M
6 - 8 bar, 8 - 10 bar

3/N/PE~400V, 50Hz

ELEKTRICKÁ SIŤ TN-S [TN-C-S]

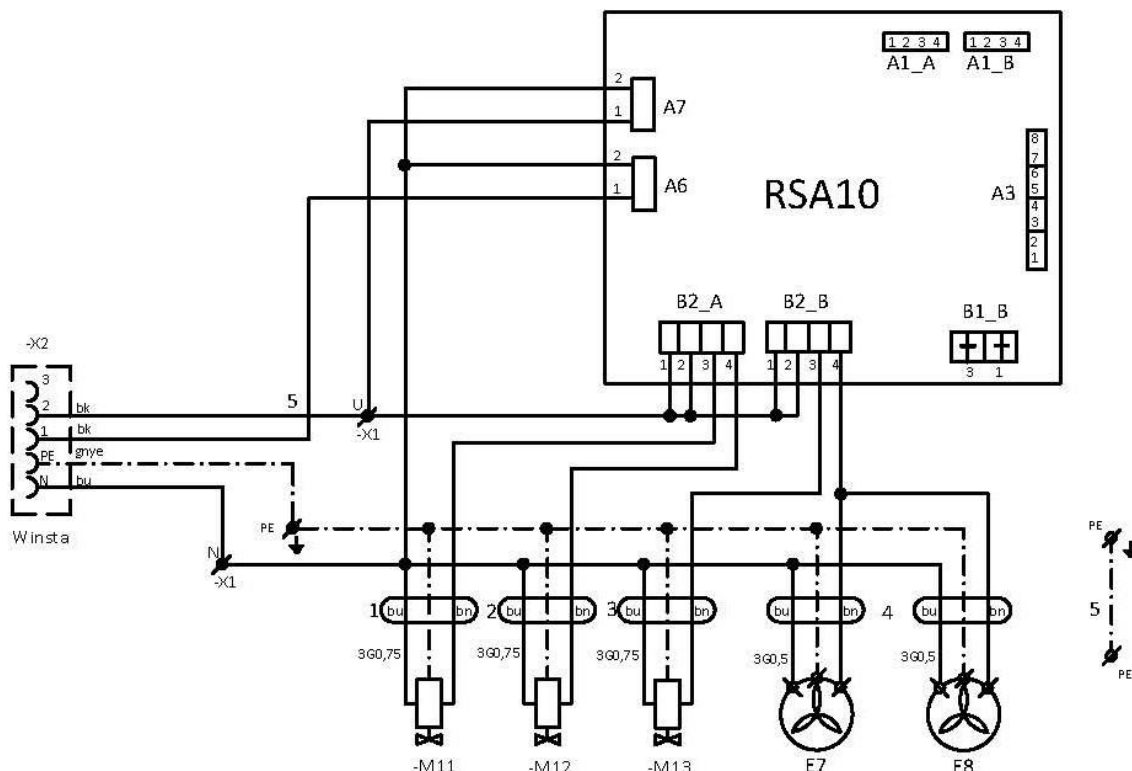
ELEKTRICKÝ PREDMET TR.1



AD 280EK

1/N/PE ~ 230V,50Hz, 230V,60Hz

ELEKTRICKÝ PREDMET TR.1

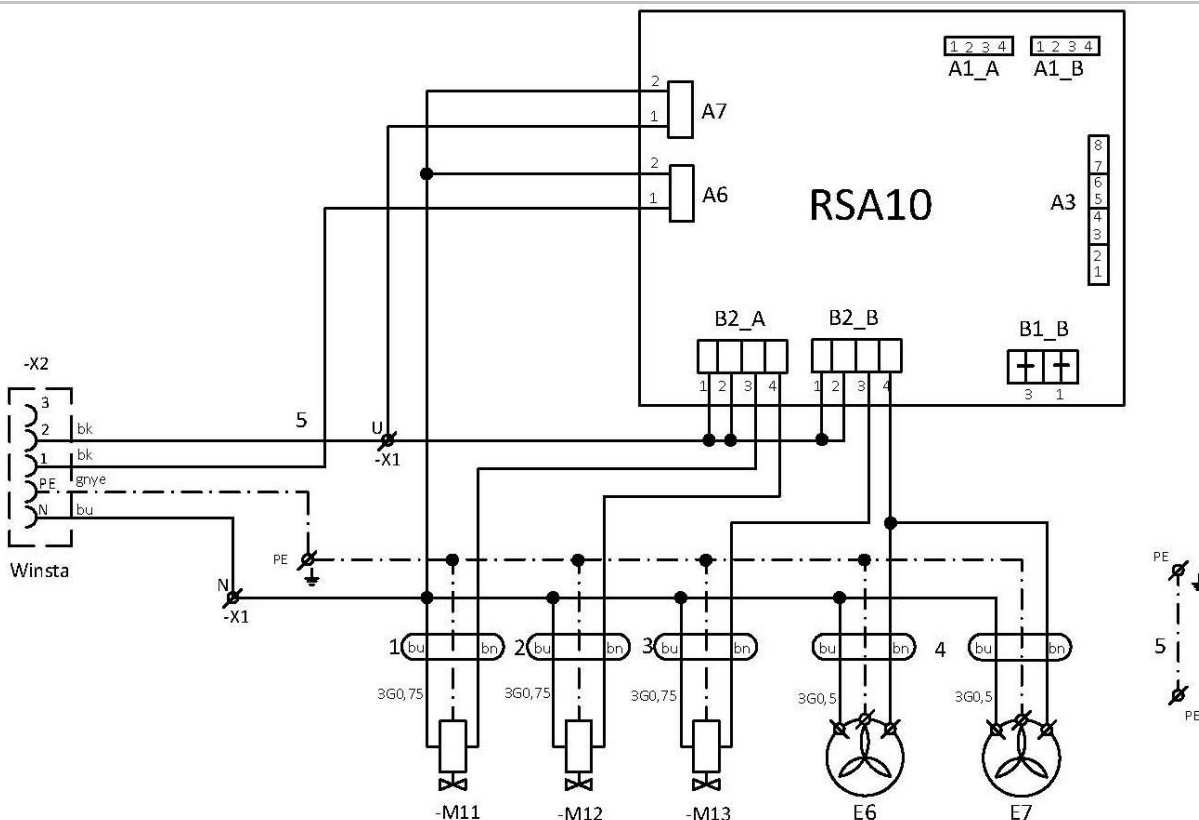


AD500

1/N/PE~230V, 50/60Hz

~120V, 60Hz

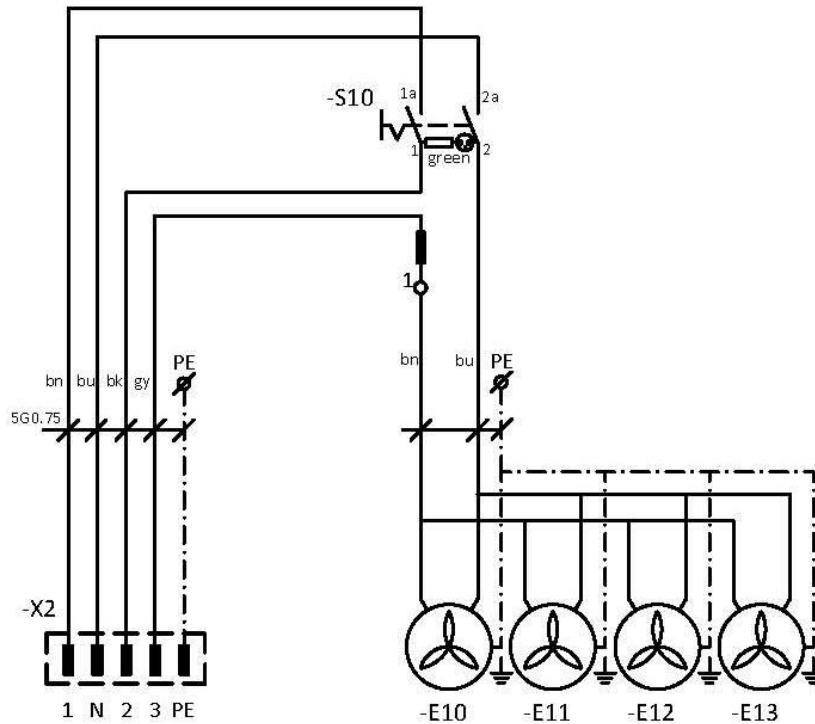
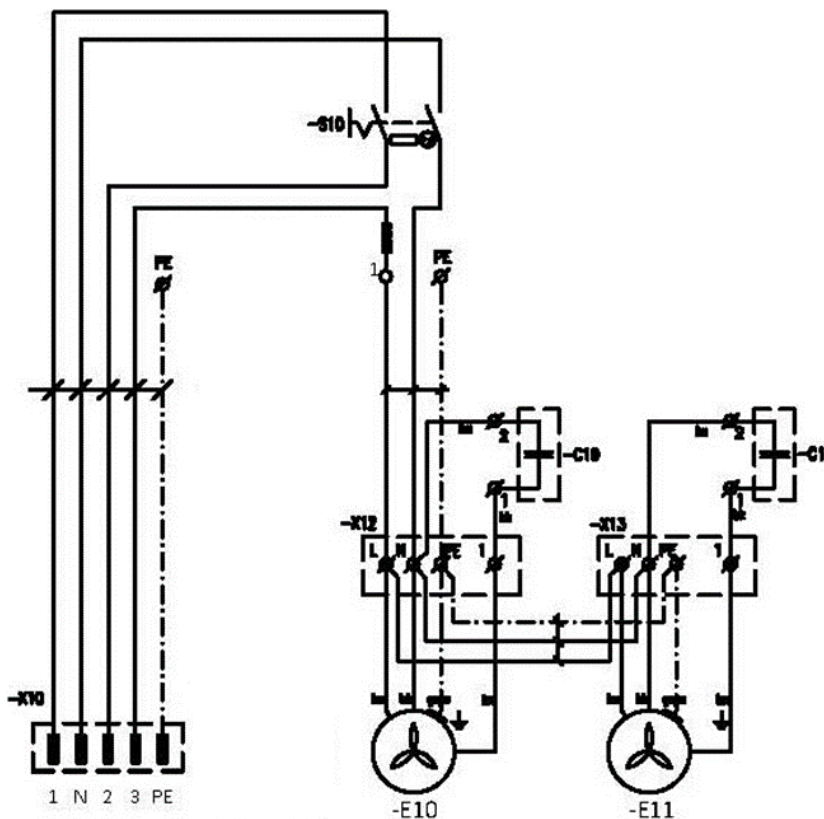
ELEKTRICKÝ PREDMET TR.1



Skrinka kompresora

1/N/PE ~ 230V 50/60Hz

ELEKTRICKÝ PREDMET TR.1


DK50 4VR/50 S/M

DK50 2x4VR/110 S/M

Popis k elektrickým schémam:

M1, M2	Motor kompresora	X2	Zásuvka
E1 – E4	Ventilátor kompresora	X3	Zásuvka kontrolky servisu
F3	Poistka	S10	Vypínač
F1, F2	Istič	X10,X11	Konektor
B1	Tlakový spínač	E10 - E13	Ventilátor skrinky
B2	Teplotný spínač	E6-E8	Ventilátor sušiča
Q11,12	Stykač	M11, M12	Solenoidný ventil - regeneračný
K1	Časové relé	M4	Solenoidný ventil -odľahčovací
P1	Počítadlo hodín	RSA 10	Riadiaca jednotka
X1	Svorkovnica		

OBSLUHA

ZARIADENIE SMIE OBSLUHOVAŤ LEN VYŠKOLENÝ PERSONÁL !



Nebezpečenstvo úrazu elektrickým prúdom.

Pri nebezpečenstve odpojiť kompresor od elektrickej siete (vytiahnuť sieťovú zástrčku).



Nebezpečenstvo popálenia alebo požiaru.

Pri činnosti kompresora sa časti agregátu a tiež pneumatické komponenty radené medzi agregátom a sušičom vzduchu, ako sú prepojovacie hadice môžu zohriať na teploty nebezpečné pre dotyk osôb alebo materiálu.



Výstraha – kompresor je ovládaný automaticky.

Automatické spustenie. Keď tlak v tlakovej nádrži poklesne na zapínací tlak, kompresor sa automaticky zapne. Kompresor sa automaticky vypne, keď tlak vo vzdušníku dosiahne hodnotu vypínacieho tlaku.



Nebezpečenstvo poškodenia pneumatických častí.

Je zakázané meniť pracovné tlaky tlakového spínača nastaveného u výrobcu. Činnosť kompresora pri nižšom pracovnom tlaku ako je zapínací tlak svedčí o vysokej spotrebe vzduchu (pozri kap. Vyhľadávanie porúch a ich odstránenie).



Požadovaný stupeň sušenia je možné dosiahnuť len pri dodržaní predpísaných prevádzkových podmienok.

Pri prevádzke sušiča pri tlaku nižšom ako je minimálny pracovný tlak sa zníži účinnosť sušenia a zhorší sa dosahovaný rosný bod.



Pri dlhšom chode kompresora sa zvýši teplota v okolí kompresora nad 40 °C a automaticky sa zopne chladiaci ventilátor. Po vychladení priestoru pod približne 32 °C sa ventilátor opäť vypne.

17. ZAPNUTIE KOMPRESORA

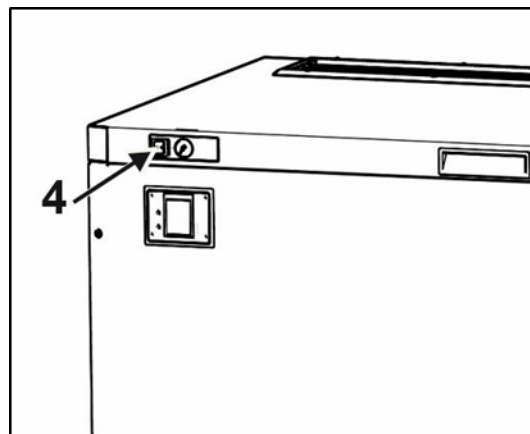
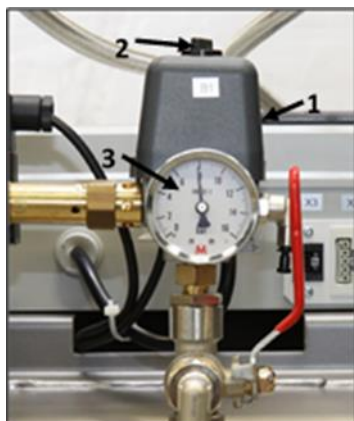
Kompresor (bez skrinky) zapnúť na tlakovom spínači (1) otočením prepínača (2) do polohy „I“. Kompresor začne pracovať, naplní vzdušník na vypínací tlak a tlakový spínač vypne kompresor.

Kompresor v skrinke – po zapnutí na tlakovom spínači, zapnúť vypínačom (4) na prednej strane skrinky, kontrolka sa rozsvieti na zeleno. Kompresor začne pracovať, naplní vzdušník na vypínací tlak a tlakový spínač vypne kompresor.

Ďalej už kompresor pracuje v automatickom režime, podľa spotreby stlačeného vzduchu sa kompresor zapína a vypína.

Hodnoty zapínacieho a vypínacieho tlaku skontrolovať na tlakomeri (3). Hodnoty môžu byť v tolerancii $\pm 10\%$. Tlak vzduchu vo vzdušníku nesmie prekročiť povolený prevádzkový tlak.

Obr. 23: Zapnutie kompresora



Nebezpečenstvo poškodenia pneumatických častí.

Tlakový spínač (1) bol nastavený u výrobcu a ďalšie nastavenie zapínacieho a vypínacieho tlaku môže vykonať iba kvalifikovaný odborník vyškolený výrobcom.

18. VYPNUTIE KOMPRESORA

- Vypnutie kompresora kvôli vykonaniu servisu alebo z iného dôvodu vykonať na tlakovom spínači (1) otočením prepínača (2) do polohy „0“ (Obr. 23) a **vytiahnutím sieťovej vidlice zo zásuvky**. Kompresor je tým odpojený od napájacej siete.
- Otvorením vypúšťacieho ventilu znížiť tlak vo vzdušníku na nulu.

AD SUŠIČ

19. PRINCÍP FUNKCIE

Činnosť sušiča je riadená signálom z tlakového spínača kompresora.

Keď je kompresor v činnosti, stlačený vzduch vstupuje do chladiča, kde sa ochladí a časť skondenzovanej vlhkosti sa odlúči v integrovanom cyklickom odlučovači. V spodnej časti odlučovača sa nachádza solenoidný ventil V3, ktorý v pravidelných intervaloch vypúšťa kondenzát z odlučovača.

Následne vzduch prechádza do komôrky logického ventilu OR1, v ktorej je snímaný tlak. Pokiaľ tlak v komôrke ventilu nedosiahne tlak $P1 = 3$ bar, regeneračné solenoidné ventily V1, V2 (typ NC) zostávajú zatvorené a regenerácia neprebíha. V prípade, že tlak v komore logického ventilu dosiahne min. 3 bary, spustí sa prepínanie komôr podľa logiky popísanej v bode 19.1.

Pri vypnutí signálu z tlakového spínača kompresora sa na krátky čas otvoria ventily regeneračné ventily V1, V2 na odľahčenie kompresorového agregátu a odtlakovanie komôr sušiča.

Odtlakovanie sušiča ako aj regenerácia je realizované cez hadičku spoločnou s výpusťou z odlučovača kondenzátu z tohto dôvodu nemôže byť odvod kondenzátu zvedený priamo do odpadu

19.1. Regenerácia sušiča

Po dosiahnutí pracovného tlaku $P1 = 3$ bar sa spustí regenerácia sušiča. Pri regenerácii sa ventily V1 a V2 cyklicky prepínajú, pričom pred každým prepnutím je zaradená krátka fáza (dT) vyrovnávania tlakov v komorách, počas ktorej sú oba ventily zavreté.

V komore 1 je pracovný tlak a komora sa nachádza v sušiacей fáze, v komore 2 je atmosférický tlak a komora sa nachádza v regeneračnej fáze. Komora je regenerovaná vzduchom prechádzajúcim cez trysku sušiča.

19.2. Režim „Energy saving“ (len pre verzie so snímačom rosného bodu)

Sušič vybavený snímačom rosného bodu umožňuje riadenie množstva oplachového vzduchu tak, aby bol udržiavaný požadovaný rosný bod.

Po dosiahnutí požadovaného rosného bodu sa v záujme optimalizácie množstva oplachového vzduchu pozastaví regenerácia. V režime so zastavenou regeneráciou sú oba ventily V1, V2 zavreté (a teda je zastavený oplach komôr suchým vzduchom).

Pre rovnomerné zaťaženie komôr sa komory ďalej striedajú v pôvodnom intervale.

Po náraste rosného bodu sa „Energy saving“ režim ukončí a sušič pracuje ďalej v režime so zapnutou regeneráciou.

Trvanie režimu s vypnutou regeneráciou

„Energy saving“ režim s vypnutou regeneráciou je časovo obmedzený. Po uplynutí definovaného intervalu (4 prepnutia komôr) sa zaradí 1 cyklus so štandardnou regeneráciou oboch komôr.

19.3. Alarmový systém

Všetky alarmové stavy prístroja sú stavmi technického alarmu nízkej priority podľa EN 60601-1-8. Každý alarmový stav je indikovaný príslušným vizuálnym signálom (pozri kap. 22) –Vizuálny signál bliká. V prípade poruchy zverte opravu oprávnenému servisu.

Alarmové stavy signalizujú možnú poruchu prístroja. Alarmové signály preto nie je možné deaktivovať.

Všetky alarmové signály sú nepretrvávajúce – po zániku príčiny alarmového stavu sú alarmové signály ukončené.

Pozícia operátora. Nevyžaduje sa žiadna konkrétna pozícia operátora. Prevádzkovateľ by však mal zostať v dosahu vizuálneho výstražného signálu, ktorý môže závisieť od skutočných prevádzkových podmienok.

Nízky tlak. Signál je aktívny v prípade, že tlakový snímač sušiča zaznamená nízky tlak v sušiči pod definovaným limitom 3 bar. Príčinou aktivovania signálu počas prevádzky môže byť únik vzduchu z kompresora/sušiča, porucha ovládacích elektromagnetických ventilov na sušiči, chyba softvéru.

Vysoký tlak. Signál je aktívny v prípade, že tlakový snímač sušiča zaznamená nárast tlaku nad hornú hranicu tlaku. Agregát sa vypne a ostane vypnutý až kým tlak neklesne. V prípade automatického nevypnutia agregátu nadbytočný tlak je uvoľnený poistným ventilom na vzdušníku kompresora.

Vysoký rosný bod. Signál je aktívny v prípade ak snímač rosného bodu zaznamená vysoký rosný bod.

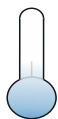
Uplynutý servisný interval. Signál je aktívny do zrealizovania servisu a zresetovania, resp. zadania nového servisného intervalu.

20. POUŽÍVATEĽSKÉ ROZHRANIE / NASTAVENIA

20.1. Význam symbolov zobrazovaných na displeji



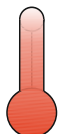
Symbol návodu na použitie resp. čítaj návod na použitie.



Symbol vyjadrujúci teplotu okolia (od 25°C) súvisiaci so zvoleným režimom. Program v danom móde upraví predpĺňanie komôr.



Symbol vyjadrujúci teplotu okolia (od 25°C do 30°C) súvisiaci so zvoleným režimom. Program v danom móde upraví predpĺňanie komôr.



Symbol vyjadrujúci teplotu okolia (nad 30°C) súvisiaci so zvoleným režimom. Program v danom móde upraví predpĺňanie komôr.



Návrat do základného menu na 4 základné obrazovky.



Krok späť.



Symbol servisného intervalu.



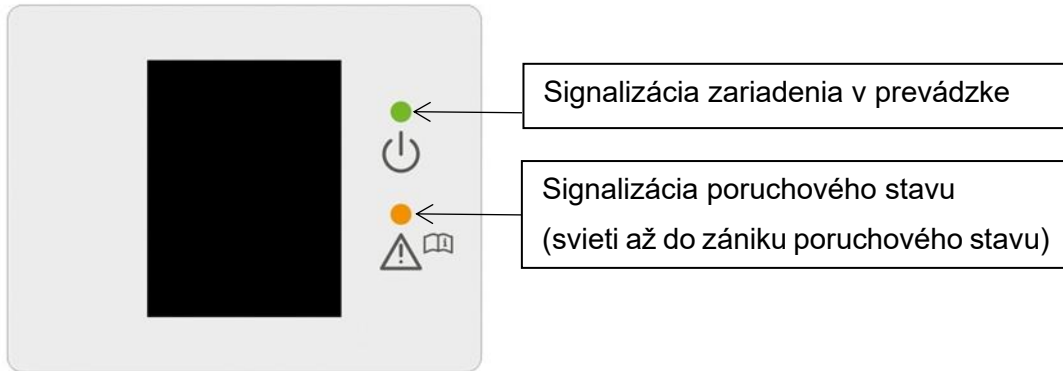
Symbol aktuálneho stavu komory sušiča – regenerácia.



Symbol aktuálneho stavu komory sušiča – sušenie.

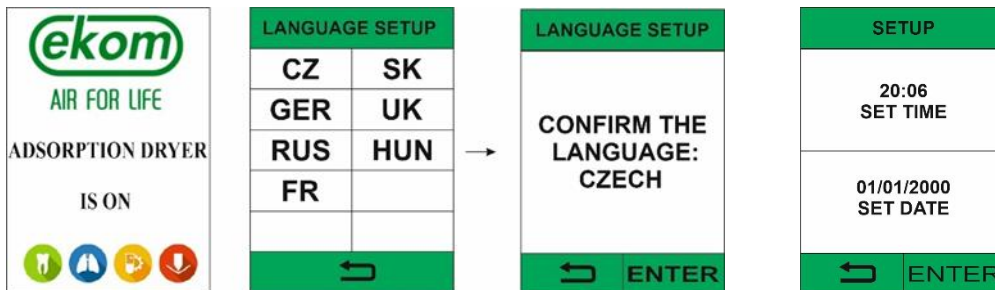


Symbol predpíňania komôr – vyrovnávanie tlaku v komorách.



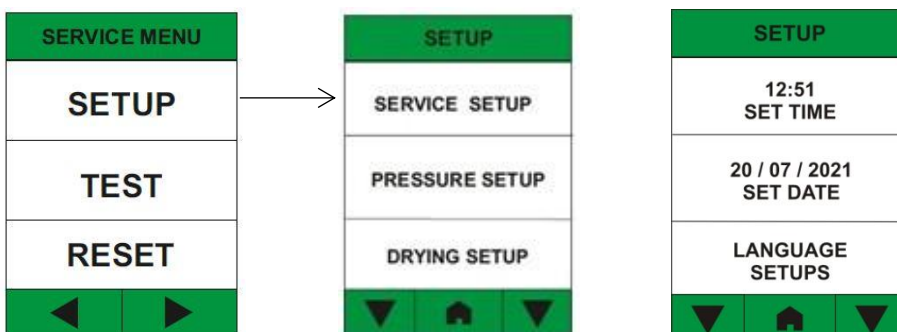
20.2. Prvé nastavenie používateľského rozhrania

Pri úvodnom spustení programu sa zobrazí možnosť nastavenia jazyka, času a dátumu. Servisný pracovník počas inštalácie zvolí daný jazyk, čas a dátum na základe geografického umiestnenia sušiča. Danú voľbu si program uloží a zapamätá. Pri opakovanom spustení sa táto voľba nevyvoláva. Potvrdením danej voľby sa zároveň spustí odpočítanie servisných hodín.



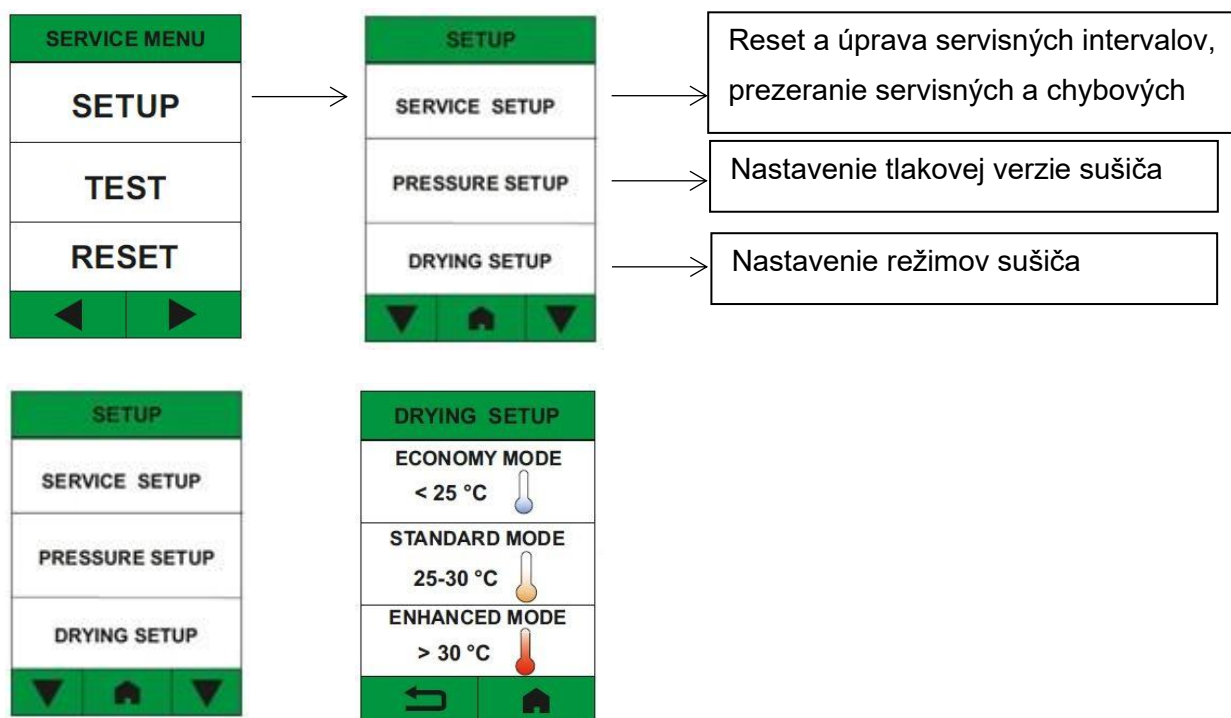
20.3. Nastavenie času a dátumu pri prvom spustení

Pri prvom spustení je odporúčané nastaviť dátum a čas. Nastavenie sa robí v servisnom menu v časti SERVICE SETUP. Prístup do servisného menu je podmienený kódom (1992). V časti SETUP sa cez šípku dolu dostanete k nastaveniu času a dátumu. Rovnakým spôsobom je možné cez LANGUAGE SETUP opätovne nastaviť jazyk používateľského rozhrania.



20.4. Nastavenie režimu sušenia pri prvom spustení

Pri prvom spustení je odporúčané nastaviť režim sušenia vzduchu. Nastavenie sa robí v servisnom menu v časti SERVICE SETUP. Prístup do servisného menu je podmienený kódom.



Režim sušenia sa nastavuje podľa odhadovaného teplotného rozsahu, v ktorom bude zariadenie pracovať a podľa verzie kompresora (bez skrinky, so skrinkou).

- kompresor bez skrinky $t_o < 25\text{ °C}$ - nastavte režim ECONOMY
- kompresor bez skrinky $t_o = 25\text{ °C} - 30\text{ °C}$ - nastavte režim STANDARD
- kompresor bez skrinky $t_o > 30\text{ °C}$ - nastavte režim ENHANCED
- kompresor v skrinke - nastavte režim ENHANCED

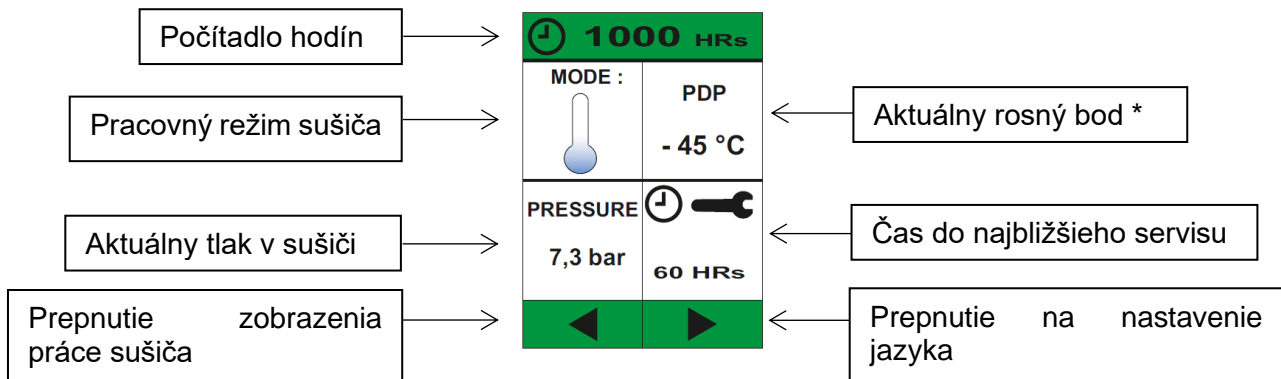
t_o - teplota okolia

21. ZÁKLADNÉ OBRAZOVKY

Po nastavení jazyka používateľského rozhrania a režimu sušenia sa zobrazí domovská obrazovka. Z domovskej obrazovky je možnosť prepínať medzi 4 základnými obrazovkami.

Na prepínanie medzi jednotlivými obrazovkami slúžia šípky v spodnej časti obrazovky.

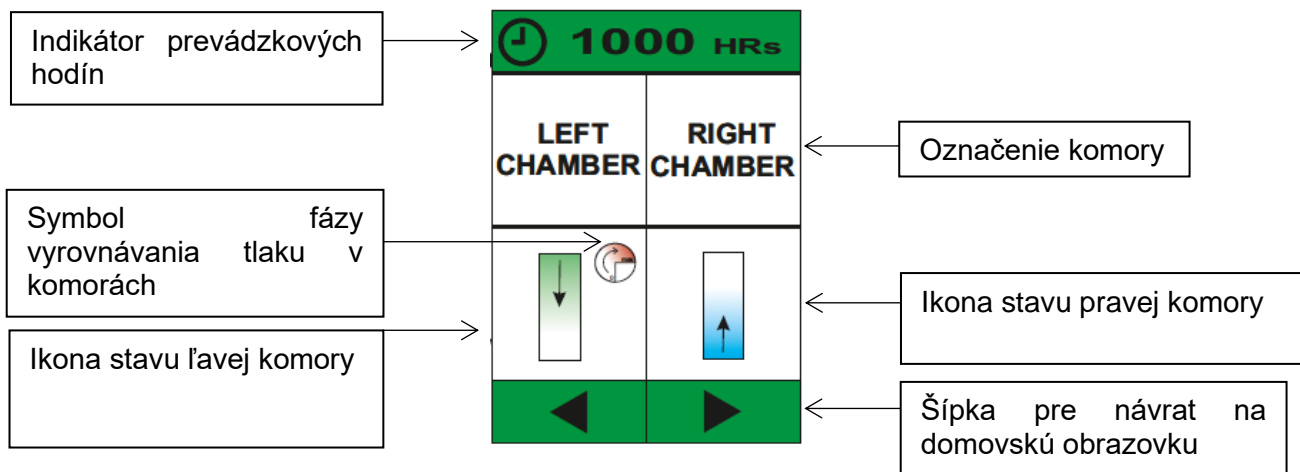
21.1. Domovská obrazovka



(*dané informácia je zobrazená iba v prípade vybavenia kompresora snímačom rosného bodu)

- Na domovskej obrazovke sušiča sa nachádzajú zobrazenia základných informácií a meraných parametrov. V hornej časti obrazovky sa nachádza indikátor prevádzkových hodín sušiča. Domovská obrazovka je následne rozdelená do 4 základných polí, kde sú zobrazované nasledujúce informácie:
- Pracovný režim sušiča (pozri kap. 20.1)
- Aktuálna hodnota tlaku v sušiči (min. pracovný tlak pre spustenie regenerácie sušiča je 3bar)
- Aktuálna hodnota tlakového rosného bodu (iba pre kompresory vybavené snímačom rosného bodu)
- Zostávajúci čas do najbližšieho servisného intervalu (pozri kap. 22.1, 22.2 – servisné intervaly).

21.2. Obrazovka práce sušiča



V hornej časti obrazovky sa nachádza indikátor prevádzkových hodín sušiča. Obrazovka práce sušiča je ďalej rozdelená na 4 polia, ktoré opisujú pracovné cykly komôr sušiča prostredníctvom grafického znázornenia aktuálnych stavov jednotlivých komôr.



Symbol aktuálneho stavu komory sušiča – regenerácia.



Symbol aktuálneho stavu komory sušiča – sušenie.



Symbol predpíňania komôr – vyrovnávanie tlaku v komorách.

21.3. Obrazovka nastavenia jazyka

LANGUAGE SETUP	
CZ	SK
GER	UK
RUS	HUN
FR	
◀	▶

Medzi základnými obrazovkami sa nachádza obrazovka s možnosťou dodatočnej zmeny nastavenia jazyka.

21.4. Obrazovka servisného menu

SERVICE MENU		CODE: * * * *
SETUP	→	1 2
TEST	→	2 4
RESET	→	5 6
		7 8
		9 ←
◀ ▶		↩ ENTER

Servisné menu je určené výhradne pre servisných pracovníkov. Prístup do jednotlivých položiek menu je chránený heslom 1992.

22. SIGNALIZÁCIA SERVISU A PORUCHOVÝCH STAVOV

Riadiaca jednotka adsorpčného sušiča je schopná merať vybrané parametre (tlak a tlakový rosný bod vo verzii so snímačom rosného bodu) a vyhodnocovať základné prevádzkové stavy sušiča.

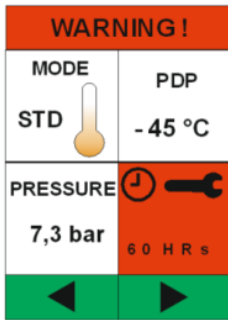
Na základe vyhodnotenia meraných parametrov a informácií o servise zobrazuje riadiaca jednotka informácie o poruchových stavoch prostredníctvom nasledujúcich notifikácií a upozornení.

22.1. Notifikácia - blížiaci sa servisný interval

NOTICE !	
MODE ECO	PDP -45 °C
PRESSURE 7,3 bar	60 HRS
◀ ▶	

- 100 pracovných hodín pred najbližším servisným intervalom **sa rozsvieti notifikácia žltou farbou („Notice!“). Súčasne sa na oranžovo rozsvieti pole servisu.**
- **Priebežne je zobrazovaný zostávajúci počet hodín do najbližšieho servisu**
- **Upozornenie je zobrazované až do vykonania servisu a zresetovania servisného intervalu**

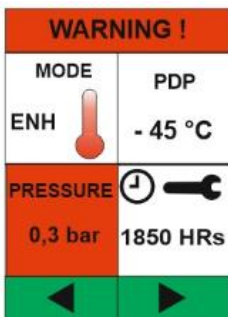
22.2. Upozornenie - Prekročenie servisného intervalu



- Po uplynutí servisného intervalu sa rozsvieti upozornenie červenou farbou („Warning!“). Súčasne sa na červeno rozsvieti pole servisu.
- Upozornenie je zobrazované až do vykonania servisu a zresetovania servisného intervalu
- Priebežne je zobrazovaný počet hodín do najbližšieho servisu
- Záznam o upozornení sa uloží do histórie upozornení („Warning log“)
- Sušič naďalej pracuje normálne

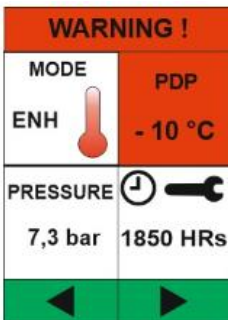
22.3. Poruchové stavy

Nízky / vysoký tlak



- Pri detekovaní nízkeho (<3 bar) alebo vysokého tlaku (> 8,5 bar , resp. > 10,5 bar v závislosti od tlakovej verzie) sa rozsvieti upozornenie červenou farbou („Warning!“). Súčasne sa na červeno rozsvieti pole indikujúce hodnotu aktuálneho tlaku.
- Upozornenie je zobrazované počas trvania poruchového stavu
- Záznam o upozornení sa uloží do histórie upozornení („Warning log“)
- Sušič nepracuje normálne neprebíha regenerácia, treba odstaviť kompresor.

Vysoký rosný bod

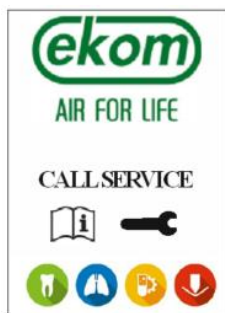


- Upozornenie je dostupné iba pre sušiče vybavené snímačom rosného bodu
- Pri detekovaní vysokého rosného bodu (> -20°C , resp. > -40°C v závislosti od verzie sušiča) sa rozsvieti upozornenie červenou farbou („Warning!“). Súčasne sa na červeno rozsvieti pole indikujúce hodnotu aktuálneho tlakového rosného bodu.
- Upozornenie je zobrazované počas trvania poruchového stavu
- Záznam o upozornení sa uloží do histórie upozornení („Warning log“)
- Sušič nepracuje správne alebo je použitý mimo odporúčaných podmienok použitia, treba odstaviť kompresor.



Po prvom uvedení do prevádzky môže trvať až do 50 hodín, kým kompresor dosiahne požadovaný rosný bod. Počas tejto doby sa nezobrazuje upozornenie na vysoký rosný bod. Ak sušič nedosiahne požadovaný rosný bod, prosím kontaktujte servisného pracovníka.

22.4. Obrazovka „Call Service“



- V prípade výskytu notifikácie alebo upozornenia obrazovka „Call Service“ bliká striedavo s domovskou obrazovkou

ÚDRŽBA VÝROBKU

23. ÚDRŽBA VÝROBKU



Prevádzkovateľ je povinný zabezpečiť vykonávanie opakovaných skúšok zariadenia minimálne 1x za 24 mesiacov (EN 62353) alebo v intervaloch, ktoré určujú príslušné národné právne predpisy. O výsledkoch skúšok musí byť vykonaný záznam (napr.: podľa EN 62353, Príloha G) spolu s metódami merania.

Zariadenie je navrhnuté a vyrobené tak, aby jeho údržba bola minimálna. Pre riadnu a spoľahlivú činnosť kompresora je však potrebné vykonávať práce podľa nasledujúceho popisu.



Nebezpečenstvo neodborného zásahu.

Opravné práce, ktoré presahujú rámec bežnej údržby (pozri kap. 23.1 Intervaly údržby), smie vykonávať iba kvalifikovaný odborník (organizácia poverená výrobcom) alebo zákaznícky servis výrobcu.

Práce v rámci bežnej údržby (pozri kap. 23.1 Intervaly údržby) smie vykonávať iba zaškolený pracovník obsluhy.

Používať sa smú iba náhradné diely a príslušenstvo predpísané výrobcom.



Nebezpečenstvo úrazu a poškodenia zariadenia.

Pred začatím prác týkajúcich sa údržby kompresora je nutné:

- skontrolovať, či je možné odpojiť kompresor od spotrebiča, aby tým nevzniklo riziko poškodenia zdravia osoby používajúcej daný spotrebič, prípadne iné materiálne škody;
- vypnúť kompresor;
- odpojiť ho z elektrickej siete (vytiahnuť sieťovú zástrčku);
- vypustiť stlačený vzduch zo vzdušníka.



Nebezpečenstvo úrazu pri vypúšťaní stlačeného vzduchu.

Pri vypúšťaní stlačeného vzduchu z pneumatického rozvodu (vzdušníka) je potrebné chrániť si zrak – použiť ochranné okuliare.



Nebezpečenstvo popálenia.

Počas činnosti kompresora, alebo krátko po jej ukončení majú časti agregátu pneumatický rozvod kompresora, časti sušiča a prepájacia hadica medzi kompresorom a sušičom vysokú teplotu – nedotýkať sa uvedených častí.



Uzemňovací vodič odpojený počas servisného zásahu je potrebné po ukončení prác opätovne pripojiť na pôvodné miesto.

- Pri servise alebo údržbe je možné vysunúť kompresor zo skrinky jeho vytiahnutím pred skrinku (na kolieskach ako dovoľí dĺžka šnúry medzi kompresorom a skrinkou). (Pozri kap. 23). Po jeho vytiahnutí je možné vykonať potrebnú údržbu alebo servis.
- V prípade odpojenia šnúry medzi kompresorom a skrinkou (vytiahnutím vidlice konektora, kap. 13.2.), kompresor nie je funkčný. Aby kompresor bol funkčný, treba postupovať podľa kap. 13.2 alebo 23.8 alebo 23.9.

23.1. Intervaly údržby

Vykoná	obsluha				kvalifikovaný odborník				
	Súprava náhradných dielov								
Kap.	-	-	-	-	-	-	-	-	025200139-000 025200150-000
24 000 hod	23.2	23.5	23.5	9	23.3	23.4	23.11	23.6	23.7
20 000 hod									
16 000 hod									
12 000 hod									x
10 000 hod									
8 000 hod									x
6 000 hod									
4 000 hod									x
2 000 hod									
1 x za 6 rokov									
1x za 4 roky									
1x za 2 roky									
1x za rok					x	x	x	x	x
1x za týždeň			x	x					
1x za deň	x	x							
Časový interval	Kontrola činnosti výrobu	Vypustiť kondenzát zo vzdušníka – Pri vysokej RH - Vyliat' zachytený kondenzát z nádoby na kondenzát	Vypustiť kondenzát zo vzdušníka - Pri bežnej RH	Kontrola funkcie výrobu	Kontrola tesnosti spojov a kontrolná prehliadka zariadenia	Kontrola elektrických spojov	Kontrola chladíča a ventilátora	Kontrola poistného ventilu	Výmena vstupného filtra a predfiltra agregátu 4VR ^{a)}

a) platí údaj v hodinách, ak nie je dostupný, potom platí údaj o rokoch
 b) po poruche sušiča je nutné kontrolovať funkčnosť prepúšťacieho ventilu na sušiči
 c) platí údaj, ktorý nastane skôr: 2 roky / 10000 hod.
 d) platí údaj, ktorý nastane skôr: 6 rokov / 24000 hod

Vykoná	kvalifikovaný odborník					
	Súprava náhradných dielov	603022493-000	603022485-000	069000317-000	025300117-000	
Kap.	23.12	pozri servisný manuál			23	
24 000 hod					x	
20 000 hod		x	x			
16 000 hod				x		
12 000 hod						
10 000 hod		x	x			
8 000 hod						
6 000 hod						
4 000 hod						
2 000 hod						
1 x za 6 rokov					x	
1 x za 4 roky				x		
1x za 2 roky	x	x	x		x	
1x za rok						
1x za týždeň						
1x za deň						
Časový interval	Kalibrácia snímača rosného bodu	Výmena kaziet s adsorbentom Sušič AD 280 ^{c)}	Výmena kaziet s adsorbentom Sušič AD 500 ^{c)}	Výmena guľôčky logického ventilu sušiča	Výmena solenoidného ventilu sušiča ^{d)}	Vykonať „Opakovanú skúšku“ podľa EN 62353

a) platí údaj v hodinách, ak nie je dostupný, potom platí údaj o rokoch

b) po poruche sušiča je nutné kontrolovať funkčnosť prepúšťacieho ventilu na sušiči

c) platí údaj, ktorý nastane skôr: 2 roky / 10000 hod.

d) platí údaj, ktorý nastane skôr: 6 rokov / 24000 hod

23.2. Kontrola činnosti

- Kontrolovať stav agregátov – agregáty musia mať rovnomerný chod, bez vibrácií, primeranú hlučnosť. V prípade negatívneho výsledku hľadať príčinu stavu alebo volať servis.
- Kontrolovať činnosti ventilátorov (zrakom) – ventilátory musia byť v činnosti v čase, keď sú v činnosti agregáty. V prípade negatívneho výsledku hľadať príčinu stavu alebo volať servis.
- Kontrolovať neporušenosť prívodného kábla, pneumatických hadíc. Poškodené diely vymeniť alebo volať servis.
- Kontrola teploty okolia – teplota okolia musí byť pod povolenou teplotou (40°C). V prípade vyššej teploty zlepšiť chladenie v miestnosti.
- Pri kompresore so sušičom vzduchu - na nádobe na kondenzátu uvoľniť zátku a vyliat kondenzát.
- Kontrola signalizácie potrebného servisu na zobrazovacej jednotke – v prípade potreby zabezpečiť vykonanie servisu.
- Skontrolovať prevádzkový stav zariadenia (pozri kap. 23.4).

23.3. Kontrola tesnosti pneumatických spojov a kontrolná prehliadka zariadenia

Kontrola tesnosti

- Kontrolu tesnosti pneumatických rozvodov kompresora vykonať počas činnosti – tlakovania kompresora.
- Analyzátorom netesností alebo mydlovou vodou kontrolovať tesnosť spojov. Ak je indikovaná netesnosť, spoj je potrebné dotiahnuť, prípadne spoj utesniť.

Prehliadka zariadenia

- Skontrolovať stav agregátu kompresora - rovnomernosť chodu, primeraná hlučnosť.
- Kontrola činnosti ventilátorov - ventilátory musia byť v činnosti v predpísaných cykloch činnosti kompresora.
- Kontrola funkcie teplotného spínača (B2) – teplotný spínač zahriať na teplotu vyššiu ako 40°C (napr. teplotnou pištoľou – Pozor, nepôsobiť vysokou teplotou na plastové diely v okolí, môže dôjsť k deformácii plastov). Po dosiahnutí teploty 40 °C sa uvedie do činnosti ventilátor E1, E3 – kompresor musí byť pod napätím.
- Skontrolovať stav filtrov – filtre musia byť bez poškodenia a primerane čisté.
- Skontrolovať stav samotného agregátu, skontrolovať, či nie sú nečistoty v kľukovej skrini, príp. vôľa na kľukovom hriadeli.
- Skontrolovať funkčnosť automatického odvádzania kondenzátu.
- V prípade zistených nedostatkov chybné súčiastky vymeniť.
- Kontrola solenoidných ventilov vo ventilovom module – ventily musia cyklicky prepínať komory podľa popisu činnosti.
- Skontrolovať prevádzkový stav zariadenia (pozri kap. 23.4).

23.4. Kontrola elektrických spojov



Nebezpečenstvo úrazu elektrickým prúdom.

Kontrolu elektrických spojov výrobku vykonávať pri odpojenom sieťovom napätí.

- Skontrolovať mechanickú funkčnosť hlavného vypínača.
- Skontrolovať neporušenosť prívodného kábla, pripojenie vodičov.

- Vizualne skontrolovať pripojenie káblov na svorkovnicu.
- Skontrolovať všetky skrutkové spoje ochranného zelenožltého vodiča PE.

23.5. Vypustenie kondenzátu



Riziko pošmyknutia na vlhkej podlahe v prípade pretečenia nádoby.

Pravidelne vyprázdniť nádobu na zber kondenzátu.

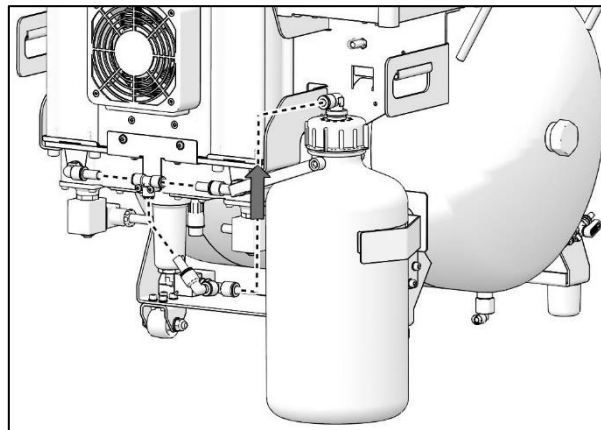


Pred každým vyprázdňovaním nádoby je nutné kompresor vypnúť !

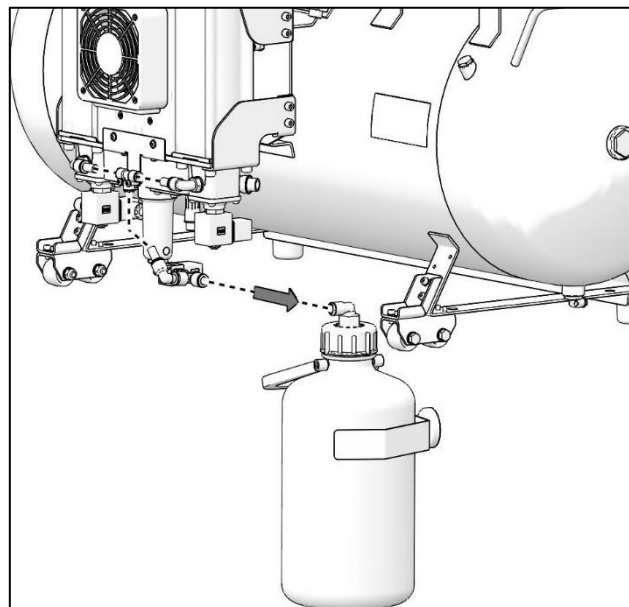
Pri kompresore so sušičom vzduchu sa kondenzát automaticky vylučuje do nádoby na zber kondenzátu.

- Kontrolovať naplnenie nádoby po značku 1l / 2l (podľa objemu nádoby) a vyprázdniť najneskôr raz za deň.

Obr. 24: Kontrola nádoby na zber kondenzátu



DK50 4VR/50/M



DK50 2x4VR/110/M

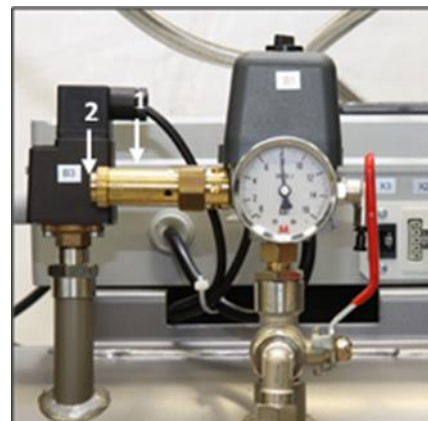


Pred nasledujúcimi kontrolami je potrebné:

- Pri prevedení kompresora so skrinkou – odomknúť zámky na hornej doske skrinky a nadvihnúť.

23.6. Kontrola poistného ventilu

- Skrutku (2) poistného ventilu (1) otočiť niekoľko otáčok doľava kým vzduch cez poistný ventil nevyfúkne.
- Poistný ventil nechať len krátko voľne vyfúknuť.
- Skrutku (2) otáčať doprava až na doraz, ventil musí byť teraz opäť zatvorený.



Obr. 25: Kontrola poistného ventilu



Nebezpečenstvo nebezpečného nárastu tlaku pri poškodení poistného ventilu.

Poistný ventil sa nesmie používať na odtlakovanie vzdušníka. Môže byť ohrozená funkcia poistného ventilu. U výrobcu je nastavený na povolený maximálny tlak, je preskúšaný a označený.

Poistný ventil sa nesmie prestavovať.



Nebezpečenstvo úrazu pri vypúšťaní stlačeného vzduchu.

Pri kontrole poistného ventilu je potrebné chrániť si zrak – použiť ochranné okuliare.

23.7. Výmena vstupného filtra a predfiltra

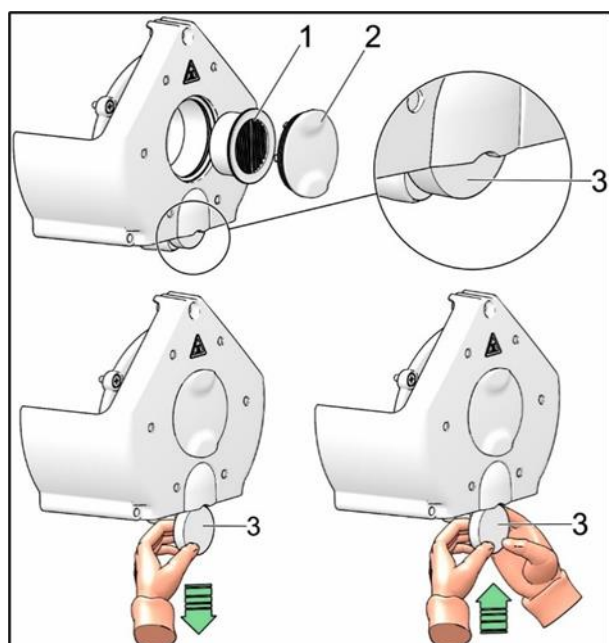
Vo veku kľukovej skrine kompresora sa nachádza vstupný filter (1).

Výmena vstupného filtra:

- Rukou vytiahnuť gumenú zátku (2).
- Použitý a znečistený filter (1) vybrať.
- Vložiť nový filter a nasadiť gumenú zátku.

Výmena predfiltra:

- Rukou vytiahnuť predfilter (3).
- Vymeniť za nový a vložiť späť.



Obr. 26: Výmena vstupného filtra a predfiltra

23.8. Postup pri zapojení kompresora odpojeného od skrinky



Pred každou prácou pri údržbe alebo oprave kompresor nevyhnutne vypnite a odpojte zo siete (vytiahnuť sieťovú zástrčku).

Kompresor (bez skrinky) potrebuje pre správnu činnosť, aby prepojka / mostík (jumper) bola vždy osadená v svorkovnici (Obr. 27 Poz. C,D, Obr. 28 Poz. D). Nahradzuje vtedy zapnutie vypínača umiestneného na skrinke.



Ak vo svorkovnici kompresora (nepripojeného ku skrinke) nie je osadená prepojka / mostík, nebude funkčný kompresor !

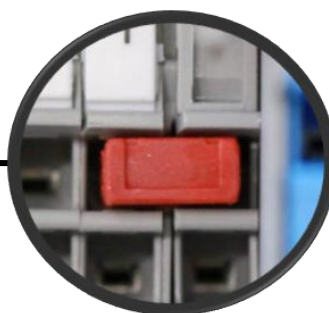
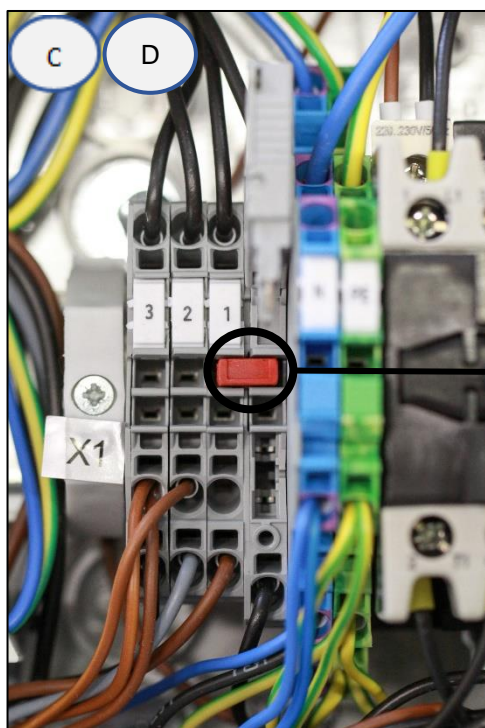
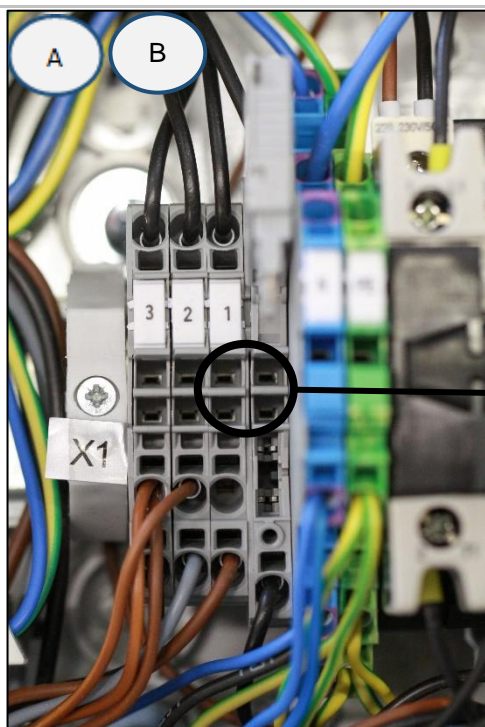
V prípade vybratia kompresora zo skrinky a odpojenia šnúry medzi kompresorom a skrinkou (vytiahnutím vidlice konektora), kompresor nie je funkčný. Preto je nutné najskôr vytvoriť prepoj na svorkovnici prepojkou / mostíkom (nahradí funkciu vypínača na skrinke) (Obr. 27 Poz. A,B, Obr. 28 Poz. A).

POSTUP:

Montáž prepójky / mostíka (postup A-B-C-D)

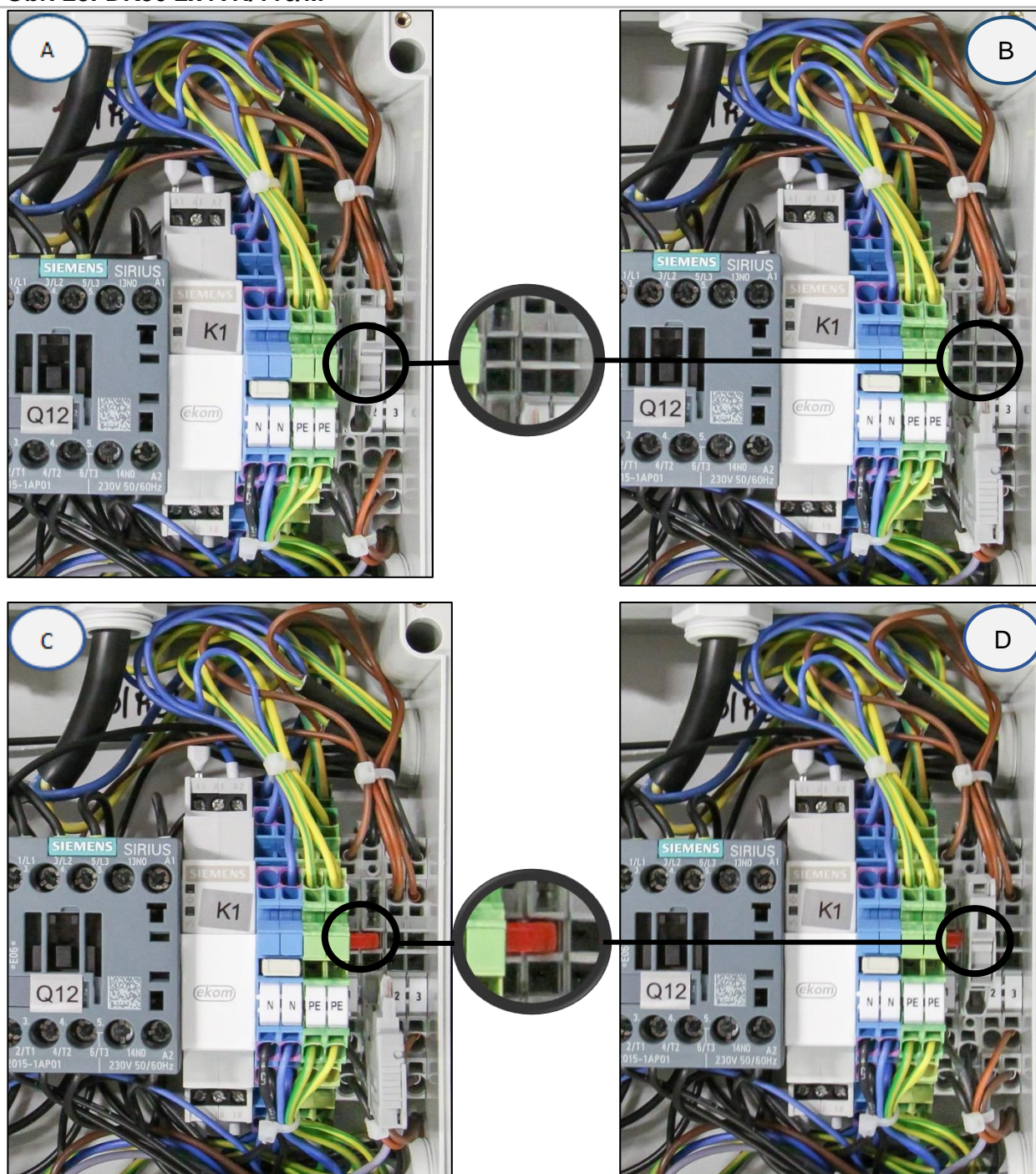
- Odpojiť výrobok od elektrickej siete vytiahnutím vidlice zo zásuvky.
- Demontovať kryt elektropanelu (na kompresore).
- Mostík nie je vo svorkovnici - A.
- Odklopiť poistkové púzdro - B.
- Zasuňte mostík do svorkovnice - C.
- Zaklopiť poistkové púzdro - D
- Namontovať kryt elektropanelu späť.
- Pripojiť výrobok k elektrickej sieti.
- Kompresor uviesť do činnosti zapnutím vypínača na tlakovom spínači.

Obr. 27: DK50 4VR/50/M



400V

Obr. 28: DK50 2x4VR/110/M



400 V

23.9. Postup pri zapojení kompresora k novej skrinke



Pred každou prácou pri údržbe alebo oprave kompresor nevyhnutne vypnite a odpojte zo siete (vytiahnuť sieťovú zástrčku).

Kompresor v skrinke potrebuje pre správnu činnosť, aby prepojka / mostík (jumper) nebola osadená v svorkovnici (Obr. 27 Poz. A,B, Obr. 28 Poz. A). Vypínač umiestnený na skrinke zapína a vypína celý výrobok vrátane kompresora.



Ak vo svorkovnici kompresora pripojeného ku skrinke e osadená prepojka / mostík, nebude funkčný vypínač na skrinke !

Ak ku kompresoru, ktorý predtým pracoval samostatne (kompresor bez skrinky), chceme pripojiť novú skrinku, potom je nutné zrušiť prepój vo svorkovnici kompresora vykonaním postupu, vid' ďalej. (Obr. 27, Obr. 28). (Pozri tiež kap. 13.1 a 13.2).

POSTUP:

Demontáž prepójky / mostíka (postup D-C-B-A)

- Odpojiť výrobok od elektrickej siete vytiahnutím vidlice zo zásuvky.
- Demontovať kryt elektropanelu (na kompresore).
- Mostík je vo svorkovnici –D
- Odklopiť poistkové púzdro – C
- Vybrať mostík zo svorkovnice – B
- Zaklopiť poistkové púzdro – A
- Namontovať kryt elektropanelu späť.
- Zasuňte kompresor do skrinky.
- Skrinku pripojiť ku kompresoru šnúrou s konektorom do zásuvky. (Obr. 13).
- Pripojiť konektor k displeju na predných dverách skrinky.
- Pripojiť výrobok k elektrickej sieti.
- Kompresor uviesť do činnosti zapnutím vypínača na tlakovom spínači a vypínača (4) na skrinke (Obr. 23).

Kompresor so skrinkou - pri činnosti v skrinke **nesmie** mať elektrický prepój. (Obr. 27 Poz. A,B, Obr. 28 Poz. A).

Poznámka : **Mostík, ktorý nie je osadený vo svorkovnici, je potrebné uschovať pre prípad použitia kompresora bez skrinky alebo pre prípad servisného zásahu**, na určené miesto pri elektropaneli.

23.10. Čistenie a dezinfekcia vonkajších plôch výrobku

Na čistenie a dezinfekciu vonkajších plôch výrobku používať neutrálne prostriedky.



Používanie agresívnych čistiacich a dezinfekčných prostriedkov obsahujúcich alkohol a chloridy môže viesť k poškodeniu povrchu a zmeny farby výrobku.

23.11. Kontrola chladiča a ventilátora

Aby bolo sušenie účinné, je treba udržiavať celé zariadenie a najmä ventilátor kompresora, ventilátor chladiča a chladič v čistote. Odsať alebo stlačeným vzduchom prefúknuť usadený prach z povrchu chladiacich rebier a ventilátorov.

23.12. Kalibrácia snímača rosného bodu

Pre kompresory vybavené snímačom rosného bodu je odporúčaná kalibrácia snímača v intervale 2 roky. Kalibráciu vykonáva výrobca (Vaisala) a je potrebné ju objednať online.

Postup pri objednaní kalibrácie snímača:

- Navštíviť webovú stránku www.vaisala.com, v časti *Services* vybrať *Calibration and repair*

services.

- Po zadaní typu snímača (typ snímača: **DMT143**) si bližšie vybrať typ kalibrácie a postupovať podľa inštrukcií.
- Po demontovaní snímača rosného bodu miesto, kde bol snímač umiestnený zaslepiť pribalenú zátku a lepiť pribaleným lepidlom. (Platí pre kompresor DK50 4VR/50/M).

24. ODTAVENIE

V prípade, že sa kompresor nebude dlhší čas používať, odporúča sa vypustiť kondenzát z tlakovej nádoby a kompresor uviesť do prevádzky asi na 10 minút s otvoreným ventilom na vypúšťanie kondenzátu. Potom kompresor vypnúť vypínačom (2) na tlakovom spínači (1) (Obr. 23), uzatvoriť ventil na vypúšťanie kondenzátu a odpojiť zariadenie od elektrickej siete.

25. LIKVIDÁCIA PRÍSTROJA

- Odpojiť zariadenie od elektrickej siete.
- Vypustiť tlak vzduchu v tlakovej nádrži otvorením ventilu na vypúšťanie kondenzátu.
- Zariadenie zlikvidovať podľa miestne platných predpisov.
- Triedenie a likvidáciu odpadu zadať špecializovanej organizácii.
- Časti výrobku po skončení jeho životnosti nemajú negatívny vplyv na životné prostredie.

VYHLÁDÁVANIE PORÚCH A ICH ODSTRÁNENIE



Nebezpečenstvo úrazu elektrickým prúdom.

Pred zásahom do zariadenia je nutné odpojiť ho z elektrickej siete (vytiahnuť sieťovú zástrčku).



Nebezpečenstvo úrazu pri práci s pneumatickými časťami pod tlakom.

Pred zásahom do zariadenia je potrebné znížiť tlak vo vzdušníku a v pneumatickom systéme na nulu.



Činnosti súvisiace s odstraňovaním porúch smie vykonávať len kvalifikovaný odborník servisnej služby.



Nebezpečenstvo nebezpečného nárastu tlaku pri poškodení poistného ventilu.

Poistný ventil sa nesmie prestavovať.

Porucha	Možná príčina	Spôsob odstránenia
Kompresor sa nerozbíha	V tlakovom spínači nie je napätie	Kontrola napätia v zásuvke
		Kontrola stavu istiaceho vypínača - uviesť do stavu zapnuté „I“
		Uvoľnený vodič zo svorky - opraviť
		Kontrola elektrickej šnúry - chybnú vymeniť
	Prerušené vinutie motora, poškodená tepelná ochrana	Motor vymeniť, resp. previnúť vinutie
	Chybný kondenzátor	Kondenzátor vymeniť
Kompresor spína často	Zadretý piest alebo iná rotačná časť	Poškodené časti vymeniť
	Nespína tlakový spínač	Skontrolovať funkciu tlakového spínača
	Únik vzduchu z pneumatického rozvodu	Kontrola pneumatického rozvodu – uvoľnený spoj utesniť
	Netesnosť spätného ventilu (SV)	SV vyčistiť, vymeniť tesnenia, vymeniť SV
Nízky tlak vo vzdušníku (kompresor je v činnosti trvale)	V tlakovej nádobe je väčšie množstvo skondenzovanej kvapaliny	Vypustiť skondenzovanú kvapalinu
	Nízka výkonnosť kompresora	Kontrola času naplnenia vzdušníka
	Vysoká spotreba vzduchu spotrebičom	Zníženie spotreby vzduchu Použitie výkonnejšieho kompresora
	Netesnosti v pneumatickom rozvode	Kontrola pneumatického rozvodu – netesné spoje utesniť
	Nízka výkonnosť agregátu	Oprava / výmena agregátu
Chod kompresora sa predlžuje	Porucha agregátu	Oprava / výmena agregátu
	Porucha sušiča	Výmena sušiča
	Únik vzduchu z pneumatického rozvodu	Kontrola pneumatického rozvodu – uvoľnený spoj utesniť

	Opotrebený piestny krúžok	Opotrebený piestny krúžok vymeniť
	Znečistený vstupný filter	Znečistený filter nahradiť novým
	Nesprávna funkcia solenoidného ventilu	Opraviť alebo vymeniť ventil alebo cievku
Kompresor je hlučný (klepanie, kovové zvuky)	Poškodené ložisko piesta, ojnice, ložisko motora	Poškodené ložisko vymeniť
	Uvoľnený (prasknutý) tlmiaci člen (pružina)	Poškodenú pružinu nahradiť
Sušič nesuší (vo vzduchu sa objavuje kondenzát) *	Nefunkčný ventilátor chladiča	Ventilátor vymeniť Preveriť prívod elektrickej energie
	Poškodený sušič	Vymeniť sušič
	Nefunkčný automatický odvod kondenzátu	Vyčistiť / vymeniť
Zhoršené sušenie – vysoký tlakový rosný bod (vo vzduchu sa objavuje kondenzát)	Nízky prevádzkový tlak	Zmenšiť odber vzduchu, skontrolovať výkonnosť zdroja stlačeného vzduchu, odstrániť prípadné netesnosti v rozvode
	Nefunkčný regeneračný elektromagnetický ventil	Skontrolovať funkčnosť cievky, v prípade poškodenia vymeniť
		Skontrolovať stav ventilu - ventil vyčistiť, pri pretrvávajúcich problémoch vymeniť
	Upchatá tryska regeneračného vzduchu	Trysku vyčistiť, prípadne vymeniť (pozri údržba výrobku)
	Nefunkčné ventilátory chladiča	Preveriť prívod elektrickej energie k ventilátorom Poškodený ventilátor vymeniť
	Znečistený chladič	Skontrolovať stav chladiča, v prípade znečistenia vyčistiť
	Upchaté tlmiče hluku na výstupe regeneračných ventilov	Skontrolovať stav tlmičov. V prípade veľkého prietokového odporu alebo výraznom znečistení vyčistiť, prípadne tlmiče vymeniť.
Zvýšená hlučnosť sušiča	Poškodený ventilátor	Poškodený ventilátor vymeniť
	Poškodený tlmič hluku	Tlmič hluku vymeniť
	Únik vzduchu cez prepúšťací ventil na vstupe sušiča	Skontrolovať pripojenie sušiča do elektrickej siete a zapojenie sušiča, skontrolovať činnosť sušiča, skontrolovať pracovný tlak sušiča, chybné komponenty vymeniť.
Únik vzduchu cez prepúšťací ventil na vstupe sušiča	Vysoký pracovný tlak zdroja vzduchu	Skontrolovať nastavenie pracovného tlaku zdroja
	Nefunkčné vstupné elektromagnetické ventily sušiča	Skontrolovať funkčnosť cievky, v prípade poškodenia vymeniť
		Skontrolovať stav ventilu - ventil vyčistiť, pri pretrvávajúcich problémoch vymeniť
Vysoký tlak v zariadení z dôvodu nadmerne zanesených filtrov	Skontrolovať stav vnútorných filtrov aj doplnkových filtračných súprav. Znečistené filtračné vložky vyčistiť, prípadne vymeniť.	

)* Po poruche sušiča je nutné dôkladne vyčistiť vnútorný povrch vzdušníka a skondenzovanú

kvapalinu dokonale odstrániť.

Po odstránení poruchy týkajúcej sa sušiča a po jeho spätnej montáži je odporúčané vykonať zrýchlenú regeneráciu sušiča - najlepšie nepretržitým chodom kompresora pri tlaku zvýšenom o 1 bar po dobu aspoň 1 hodiny a vykonať kontrolu sušenia vzduchu.



Na zabezpečenie ochrany pripojeného zariadenia pred poškodením je potrebné skontrolovať vlhkosť vypúšťaného vzduchu zo vzdušníka (pozri kap. Technické údaje).

26. INFORMÁCIE O OPRAVÁRENSKEJ SLUŽBE

Záručné a mimozáručné opravy zabezpečuje výrobca alebo organizácie a opravárske osoby, o ktorých informuje dodávateľ.

Upozornenie.

Výrobca si vyhradzuje právo vykonať na výrobku zmeny, ktoré však neovplyvnia podstatné vlastnosti prístroja.

OBSAH

DŮLEŽITÉ INFORMACE	443
1. SHODA S POŽADAVKY SMĚRNIC EVROPSKÉ UNIE	443
2. URČENÉ POUŽITÍ	443
3. KONTRAINDIKACE A VEDLEJŠÍ ÚČINKY	443
4. UPOZORNĚNÍ A SYMBOLY	443
5. UPOZORNĚNÍ	444
6. PODMÍNKY SKLADOVÁNÍ A PŘEPRAVY	446
POPIS VÝROBKU.....	447
7. VARIANTY	447
8. DOPLŇKOVÉ VYBAVENÍ	448
9. FUNKCE VÝROBKU	449
TECHNICKÉ ÚDAJE	456
INSTALACE.....	468
10. INŠTALAČNÍ PODMÍNKY	468
11. SESTAVENÍ KOMPRESORU.....	468
12. PNEUMATICKÉ PŘIPOJENÍ.....	473
13. ELEKTRICKÉ ZAPOJENÍ.....	475
14. UMÍSTĚNÍ KOMPRESORU DO SKŘÍŇKY	476
15. PRVNÍ UVEDENÍ DO PROVOZU.....	483
16. PNEUMATICKÉ A ELEKTRICKÉ SCHÉMATA.....	484
OBSLUHA.....	491
17. ZAPNUTÍ KOMPRESORU	492
18. VYPNUTÍ KOMPRESORU	492
AD SUŠIČ	493
19. PRINCIP FUNKCE	493
20. UŽIVATELSKÉ ROZHRAŇÍ / NASTAVENÍ.....	494
21. ZÁKLADNÍ OBRAZOVKY.....	496
22. SIGNALIZACE SERVISU A PORUCHOVÝCH STAVŮ	498
ÚDRŽBA VÝROBKU	501
23. ÚDRŽBA VÝROBKU	501
24. Odstavení	511
25. LIKVIDACE PŘÍSTROJE.....	511
VYHLEDÁVÁNÍ PORUCH A JEJICH ODSTRANĚNÍ	512
26. INFORMACE O OPRAVÁRENSKÉ SLUŽBĚ	514
PŘÍLOHA	515
26. ZÁZNAM O INSTALACI	521

DŮLEŽITÉ INFORMACE**1. SHODA S POŽADAVKY SMĚRNIC EVROPSKÉ UNIE**

Tento výrobek je ve shodě s požadavky Nařízení (EU) o zdravotnických prostředcích (MDR 2017/745) a při dodržení všech bezpečnostních pokynů je pro určené použití bezpečný.

2. URČENÉ POUŽITÍ

Kompresor se používá jako zdroj čistého, bezolejového stlačeného vzduchu pro napájení aktivních zdravotnických prostředků, kde stlačený vzduch vyhovuje svými parametry a vlastnostmi.



Vzduch kompresoru není vhodný pro připojení k přístrojům pro umělou ventilaci plic.

Jakékoliv použití výrobku nad rámec určeného použití se považuje za nesprávné. Výrobce nemůže nést odpovědnost za jakékoli škody nebo zranění způsobené nesprávným použitím.

3. KONTRAINDIKACE A VEDLEJŠÍ ÚČINKY

Nejsou známy žádné kontraindikace ani vedlejší účinky.

4. UPOZORNĚNÍ A SYMBOLY

V návodu k použití, na obalech a na výrobku se pro zvlášť důležité údaje používají následující názvy a symboly:



Všeobecná výstraha



Výstraha – nebezpečí zasažení elektrickým proudem



Výstraha – kompresor je ovládán automaticky



Výstraha – horký povrch



Všeobecné upozornění



Přečtěte si návod k použití



Dodržujte návod k použití



Označení CE




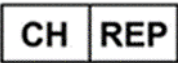


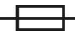







Zdravotnický prostředek



Sériové číslo



Artiklové číslo

	Jedinečný identifikátor prostředku
	Švýcarský zplnomocněný zástupce
	Švýcarský dovozce
	Připojení ochranného vodiče
	Pojistka
	Manipulační značka na obalu – křehké
	Manipulační značka na obalu – tímto směrem nahoru
	Manipulační značka na obalu – chraňte před deštěm
	Manipulační značka na obalu – teplotní omezení
	Manipulační značka na obalu – omezené stohování
	Značka na obalu – recyklovatelný materiál
	Výrobce

5. UPOZORNĚNÍ

Výrobek je navržen a vyroben tak, aby byl při stanoveném způsobu používání bezpečný pro uživatele i pro jeho okolí. Proto je zapotřebí se řídit následujícími upozorněními.

5.1. Všeobecná upozornění

NÁVOD K POUŽITÍ SI PŘED POUŽITÍM PEČLIVĚ PŘEČTĚTE A USCHOVEJTE PRO BUDOUCÍ POUŽITÍ!

- Tato uživatelská příručka obsahuje pokyny pro správnou montáž, používání a údržbu výrobku. Po pečlivém prostudování této příručky získáte informace potřebné ke správnému používání výrobku v souladu s jeho určeným použitím.
- Ponechejte si originální obal pro případné vrácení výrobku. Náležitou ochranu zařízení při přepravě umožní pouze originální obal. Pokud budete nezbytné výrobek vrátit během záruční doby, pak výrobce nenes odpovědnost za škody způsobené jeho nesprávným zabalením.
- Tato záruka se nevztahuje na škody vyplývající z používání příslušenství jinak než způsobem předepsaným nebo doporučeným výrobcem.
- Výrobce poskytuje záruku na bezpečnost, spolehlivost a funkčnost zařízení, pouze pokud:
 - montáž, nová nastavení, změny, rozšíření a opravy provede výrobce nebo organizace schválená výrobcem,

- je zařízení používáno v souladu s uživatelskou příručkou.
- Uživatelská příručka odpovídá konfiguraci výrobku a je v souladu s bezpečnostními a technickými normami platnými v době jejího tisku. Výrobce si vyhrazuje veškerá práva na ochranu svých konfigurací, metod a názvů.
- Překlad této příručky byl zajištěn dle nejlepšího svědomí a vědomí. V případě jakýchkoliv nejasností je rozhodující znění slovenské verze.
- Návod k použití je původní, překlad je vyhotoven v souladu s nejlepšími znalostmi.

5.2. Všeobecná bezpečnostní upozornění

Výrobce navrhl a vyrobil výrobek tak, aby bylo při správném používání podle určení minimalizováno jakékoli nebezpečí. Výrobce považuje za svou povinnost uvést následující všeobecná bezpečnostní opatření.

- Při provozu výrobku je nutné respektovat zákony a místní předpisy platné v místě použití. V zájmu bezpečného průběhu práce jsou za dodržování předpisů odpovědní provozovatel a uživatel.
- Bezpečnost obsluhujícího personálu a bezporuchový provoz výrobku jsou zaručeny pouze při používání originálních částí výrobku. Používejte pouze příslušenství a náhradní díly uvedené v technické dokumentaci nebo vysloveně povolené výrobcem.
- Před každým použitím výrobku je nutné, aby se uživatel přesvědčil o řádné funkci a bezpečném stavu výrobku.
- Uživatel musí být obeznámen s obsluhou přístroje.
- Výrobek není určen pro provoz v prostorách, kde hrozí nebezpečí výbuchu.
- Pokud v přímé souvislosti s provozem přístroje dojde k nežádoucí události, uživatel je povinen o této události bezodkladně informovat svého dodavatele.
- V případě závažné nehody způsobené pomůckou by měl uživatel událost nahlásit výrobcí a příslušnému orgánu v členském státě, kde má uživatel bydliště.

5.3. Bezpečnostní upozornění k ochraně před elektrickým proudem

- Zařízení může být připojeno pouze k řádně nainstalované zásuvce s ochranným připojením.
- Před připojením výrobku je třeba zkontrolovat, zda hodnoty síťového napětí a síťového kmitočtu uvedené na výrobku odpovídají hodnotám napájecí sítě.
- Před uvedením výrobku do provozu je třeba zkontrolovat případné poškození připojovaných vzduchových a elektrických rozvodů. Poškozená pneumatická a elektrická vedení je nutné okamžitě vyměnit.
- Při nebezpečných situacích nebo technických poruchách je nutné výrobek ihned odpojit od sítě (vytáhnout síťovou zástrčku).
- Před zahájením jakýchkoli prací souvisejících s opravami a údržbou proveďte následující:
 - vytáhněte síťovou zástrčku ze zásuvky
 - vypusťte tlak z tlakové nádrže a odvzdušněte tlakové potrubí
- Instalaci výrobku smí provádět pouze kvalifikovaný odborník.

6. PODMÍNKY SKLADOVÁNÍ A PŘEPRAVY

Kompresor se od výrobce zasílá v přepravním obalu. Tento obal chrání výrobek před poškozením při přepravě.



Nebezpečí poškození pneumatických částí.

Kompresor se smí přepravovat pouze bez tlaku. Před přepravou je nezbytně nutné vypustit tlak vzduchu z tlakové nádrže a tlakových hadic a vypustit kondenzát ze vzdušníku a odlučovače kondenzátu na sušiči.



Originální obal uschovat pro případné vrácení zařízení. Při přepravě používat podle možnosti vždy originální obal kompresoru pro optimální ochranu výrobku. Jestliže bude nutné výrobek v průběhu záruční doby vrátit, výrobce neručí za škody způsobené nesprávným zabalením výrobku.



Kompresor přepravujte nastojato, vždy zajištěný přepravními fixačními prvky.



Během přepravy a skladování chraňte kompresor před vysokou vlhkostí, nečistotami a extrémními teplotami. Neskladujte v prostorech společně s těkavými chemickými látkami.



Pokud uschování originálního obalu není možné, zlikvidujte ho v souladu se zásadami ochrany životního prostředí. Přepravní karton lze vyhodit se starým papírem.



Zařízení je zakázáno skladovat a přepravovat mimo definované podmínky, viz níže.

6.1. Podmínky okolí

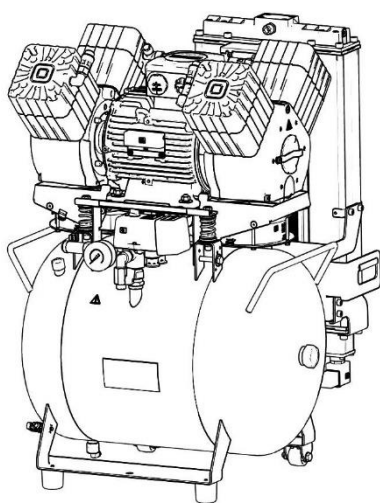
Výrobky je možné skladovat v prostorách a dopravních prostředcích beze stop těkavých chemických látek při následujících klimatických podmínkách:

Teplota	-25 °C až +55 °C
Relativní vlhkost	max. 90 % (bez kondenzace)

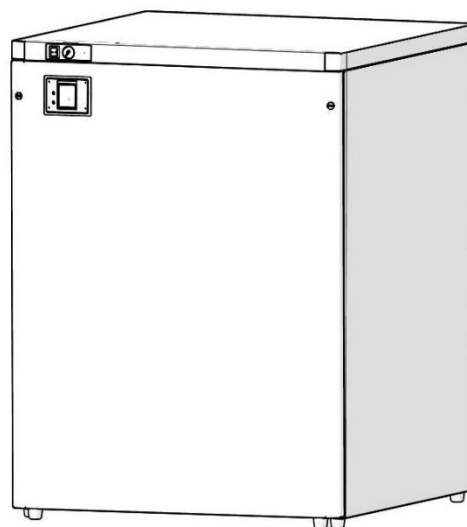
POPIS VÝROBKU**7. VARIANTY**

Kompresory se vyrábí podle účelu v těchto variantách:

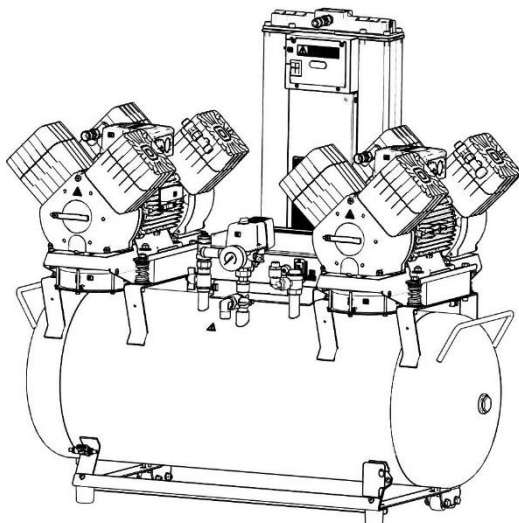
DK50 4VR/50/M	Kompresor s adsorpčním sušičem vzduchu
DK50 4VR/50 S/M	Kompresor ve skříňce s adsorpčním sušičem vzduchu
Skříňka S50R	Slouží ke snížení hladiny zvuku kompresoru
DK50 2x4VR/110/M	Kompresor s adsorpčním sušičem vzduchu
DK50 2x4VR/110S/M	Kompresor ve skříňce s adsorpčním sušičem vzduchu
Skříňka S110R	Slouží ke snížení hladiny zvuku kompresoru



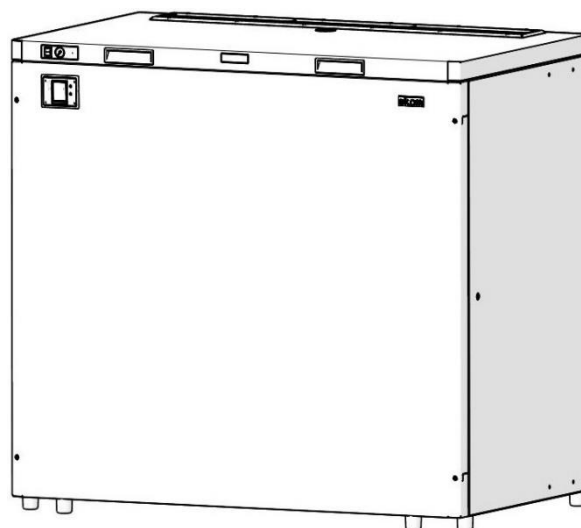
DK50 4VR/50/M



S50R
DK50 4VR/50S/M



DK50 2x4VR/110/M



S110R
DK50 2x4VR/110S/M

8. DOPLŇKOVÉ VYBAVENÍ

Doplňkové vybavení není předmětem základní dodávky, je nutno je objednat zvlášť.

Sada filtrů výstupního stlačeného vzduchu

Kompresor může být na základě požadavku vybaven sadou filtrů. Filtrační sada může být doplněna o regulátor tlaku vzduchu.



Případný požadavek na jiný stupeň filtrace vzduchu musí být dohodnut předem s dodavatelem a specifikován v objednávce.

Typ	Použití	Stupeň filtrace / μ m/	Artiklové číslo
FS 30F	DK50 4VR/50/M	1	604014119-014
FS 30M		1+0,1	604014119-015
FS 30S		1+0,01	604014119-017
FS 30A		1+0,01+A**	604014119-018*
FS 40F	DK50 2x4VR/110/M	1	604014119-000
FS 40M		1+0,1	604014119-004
FS 40S		1+0,01	604014119-024
FS 40AH		1+AC+HC (0,01)	604014119-005

**) A – submikrofiltr s aktivním uhlím

*) - sadu **FS 30A** ve standardním provedení není možné u výrobků DK50 4VR/50/M zkombinovat s regulátorem tlaku; v případě zájmu o tuto sadu (s regulátorem) kontaktujte dodavatele

Sada regulátoru k filtračním sadám

Kompresor může být na základě požadavku vybaven sadou regulátoru tlaku výstupního stlačeného vzduchu. Regulátor vybírejte podle použití k filtrační sadě anebo samostatně. Regulátor zajistí konstantní tlak na výstupu z kompresoru.

Typ	Použití	Artiklové číslo
Regulátor komplet (k filtrační sadě)	DK50 4VR/50/M	604014130-000
REG12 (samostatný)		447000001-088
Regulátor komplet	DK50 2x4VR/110/M	604014125-000
REG15		447000001-243

Držáky k filtračním sadám



Ke každé sadě je nutné doobjednat vhodný držák.

Typ	Použití	Artiklové číslo
Držák na kompresor	DK50 4VR/50/M	603014177-000
Držák na kompresor	DK50 2x4VR/110/M	604014131-000
Držák na stěnu		603014120-000

Modul 3KOM pro ovládání více kompresorů ve funkci Master-Slave

Pro 2 nebo 3 stejné kompresory se stejným tlakovým rozsahem je možné objednat řídicí modul 3KOM, který řídí provoz těchto kompresorů ve funkci Master-Slave. Při použití tohoto modulu přebírá funkci spínání agregátů řídicí jednotka, která je součástí modulu. Řídicí modul lze objednat v konfiguraci podle následující tabulky.

Typ kompresoru	Schéma řízení	Číslo položky instalační sady	Výstup vzduchu soustavy
DK50 4VR/50/M	1+1	603002152-000	G3/4"
DK50 2x4VR/110/M	1+1+1		

Zásuvka pro ekvipotenciální pospojování

Zásuvka umožňuje ochranné pospojování.

Typ	Použití	Název	Artiklové číslo
POAG-KBT6-EC	DK50 4VR/50S/M	Zásuvka	033400075-000
FLEXI-S/POAG-HK6	DK50 2x4VR/110S/M	Vodič (1 m)	034110083-000

9. FUNKCE VÝROBKU

9.1. Kompresor s adsorpčním sušičem

(Obr. 1, Obr. 2) Agregát kompresoru (1) nasává atmosférický vzduch přes vstupní filtr (8) a stlačený ho dodává přes zpětný ventil (3) do sběrného potrubí, odkud je veden propojovací hadicí do adsorpčního sušiče (9). Po vstupu do modulu sušiče se vzduch nejprve ochladí ve vestavěném chladiči (17) a dále přes odlučovač kondenzátu (24) vstupuje do aktivní komory (19) s adsorbentem, kde je vzduch vysušen. Část vzduchu směřuje do druhé, regenerované komory, kde tento vzduch odebírá vlhkost z adsorbentu a je uvolňován do okolí. Činnost komor se cyklicky přepíná. Vysušený vzduch prochází přes zpětný ventil (3) do vzdušníku (2).

* V případě DK50 4VR/50/M není použito sběrné potrubí se zpětným ventilem a vzduch jde přímo do sušiče vzduchu.

9.2. Skříňka kompresoru

(Obr. 4) Skříňka zajišťuje kompaktní zakrytí kompresoru, čímž účinně tlumí hluk a zároveň zajišťuje dostatečnou výměnu chladicího vzduchu. Svým disajnem je vhodná pro umístění v ordinaci jako součást nábytku. Ventilátor (10) pod agregátem kompresoru zajišťuje chlazení kompresoru, je v provozu současně s motorem kompresoru anebo po zapnutí teplotního spínače při teplotě větší než 40 °C. Po ochlazení prostoru skříňky na méně než 32 °C se ventilátory automaticky vypnou. Na předním panelu skříňky je umístěn displej sušiče (33).



Nebezpečí přehřátí kompresoru.

Je zakázáno vytvářet překážky pro vstup chladicího vzduchu do skříňky (po obvodu spodní části skříňky) a na výstupu teplého vzduchu v horní zadní části skříňky.

V případě umístění kompresoru na měkkou podlahu, například koberec, je nutné vytvořit mezeru mezi základnou a podlahou nebo skříňkou a podlahou, například podložením patek tvrdými podložkami kvůli zajištění dostatečného chlazení kompresoru.

Popis k obrázkům 1 - 3

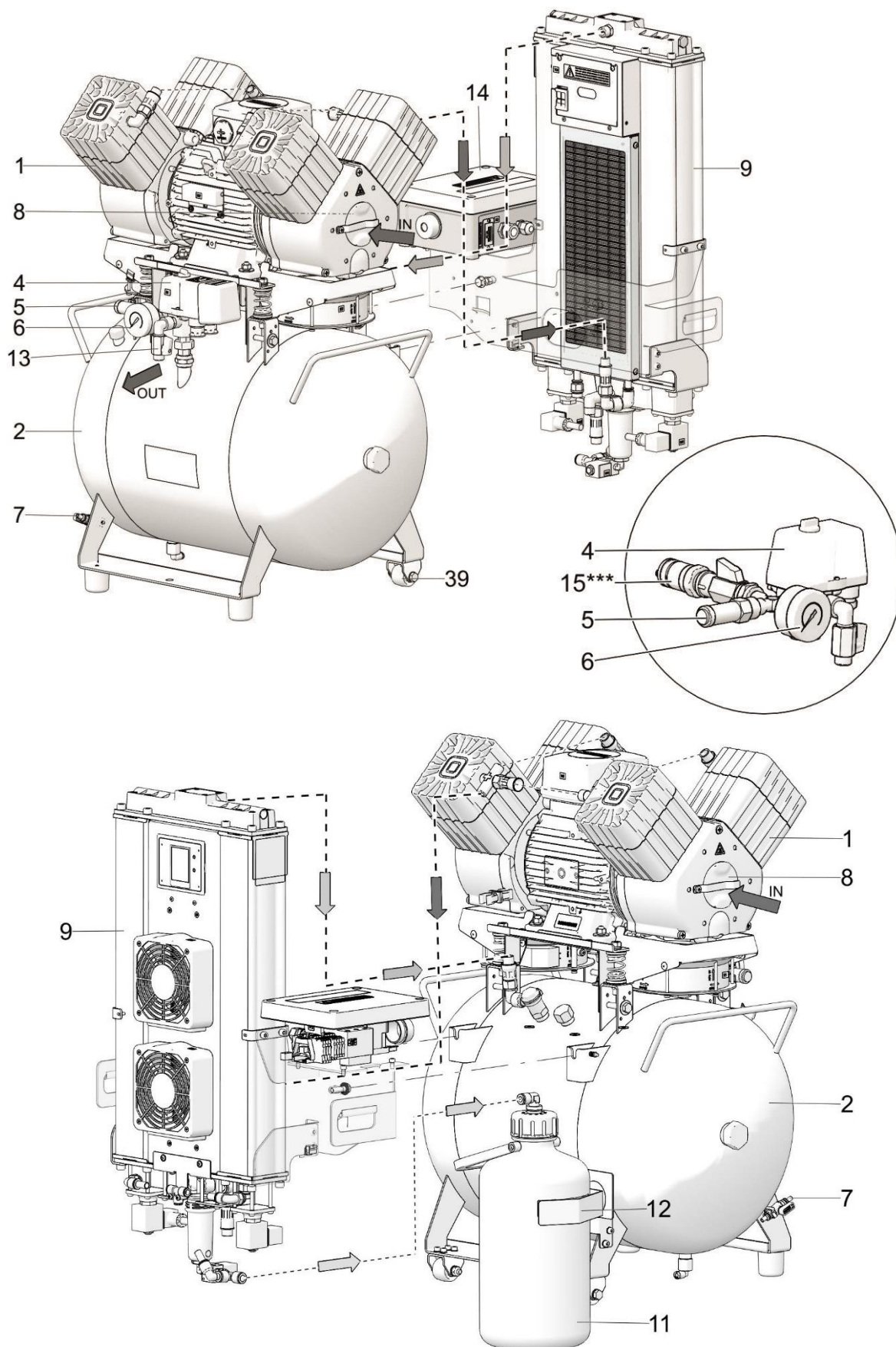
1	Agregát kompresoru	22	Regenerační solenoidní ventily
2	Vzdušník	23	Ventilátor sušiče
3	Zpětný ventil	24	Odlučovač kondenzátu
4	Tlakový spínač	25	Solenoidní ventil odvodu kondenzátu
5	Pojistný ventil	26	*Displej sušiče
6	Tlakoměr	27	Výstup vzduchu
7	Vypouštěcí ventil	28	Ventilátor skříňky
8	Vstupný filtr	29	Tlakoměr skříňky
9	Adsorpční sušič	30	Vypínač
10	Ventilátor kompresoru	31	Konektor skříňky
11	Nádoba na sběr kondenzátu	32	Hadička manometru
12	Magnetický držák	33	Displej skříňky
13	Výstup vzduchu	34	Plynová pera skříňky
14	Rozvodná krabice	35	Odtah
15	***Snímač rosného bodu	36	Kabel elektrického napájení
16	Výstupní modul	37	**Průchodka
17	Chladicí modul	38	Vývod z odlučovače kondenzátu a regeneračních ventilů
18	Elektropanel	39	Kolečko kompresoru
19	Komora sušiče	40	Doraz na stěnu
20	Vstupní ventilový modul	41	Spojovací výztuha
21	Vstup stlačeného vzduchu	42	Madlo

* Pozice (26) platí pro provedení bez skříňky DK50 4VR/50/M, DK50 2x4VR/110/M, pro provedení se skříňkou DK50 4VR/50 S/M, DK50 2x4VR/110 S/M se na pozici (26) nachází krytka.

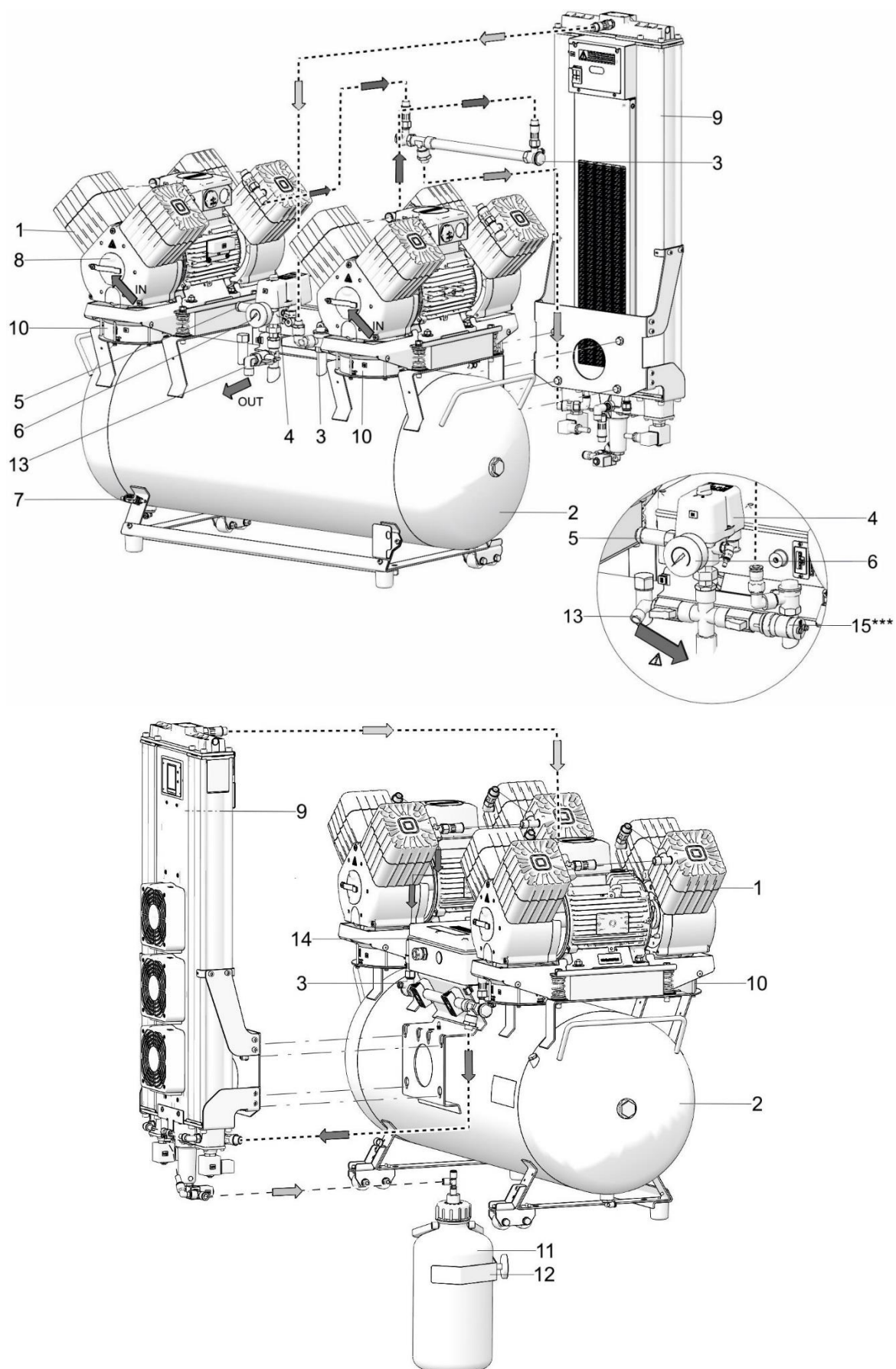
** V případě skříňkové verze je přes univerzální průchodka (37) vyveden kabel pro připojení displeje (33) umístěného v předním panelu skříňky.

*** Platí pro provedení se snímačem rosného bodu.

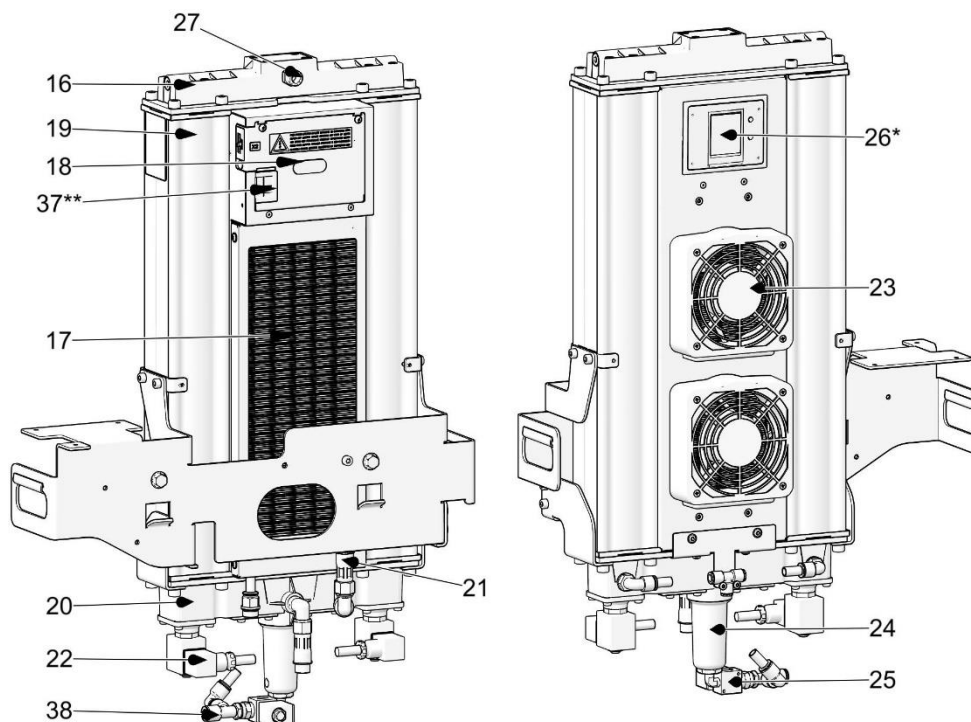
Obr. 1: DK50 4VR/50/M - Kompresor s adsorpčním sušičem vzduchu



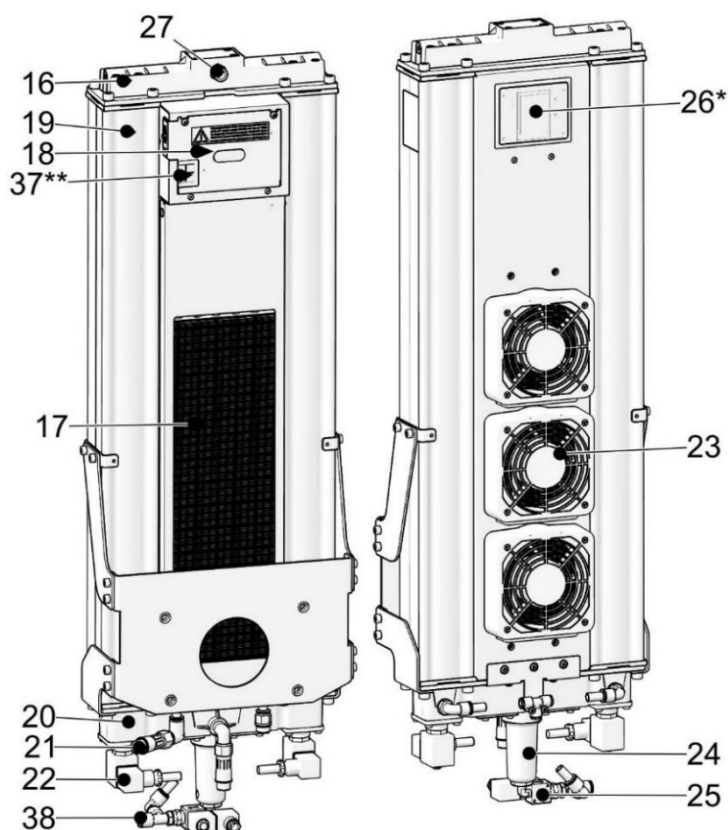
Obr. 2: DK50 2x4VR/110/M - Kompresor s adsorpčním sušičem vzduchu



Obr. 3: Adsorpční sušič



ADM 280/50

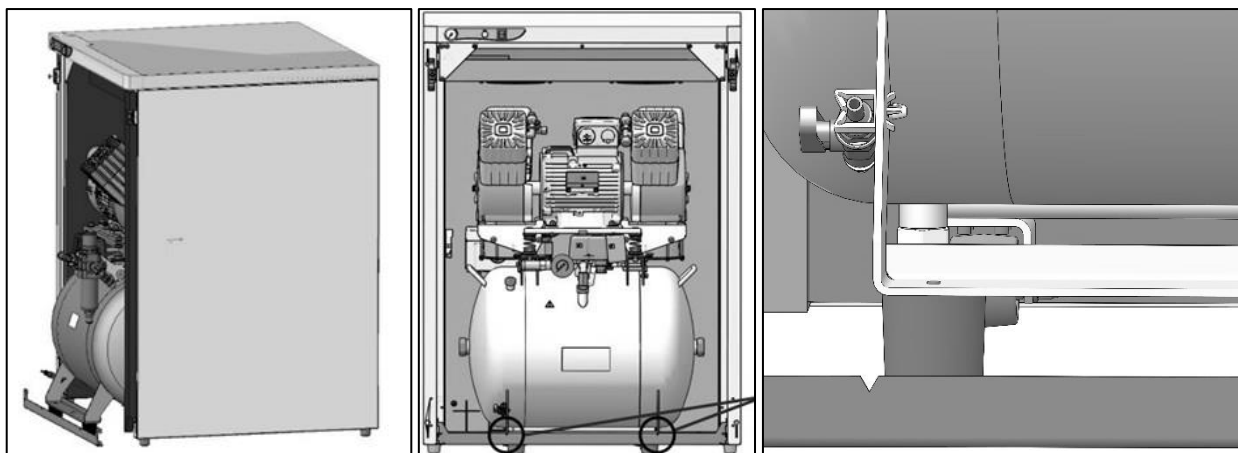
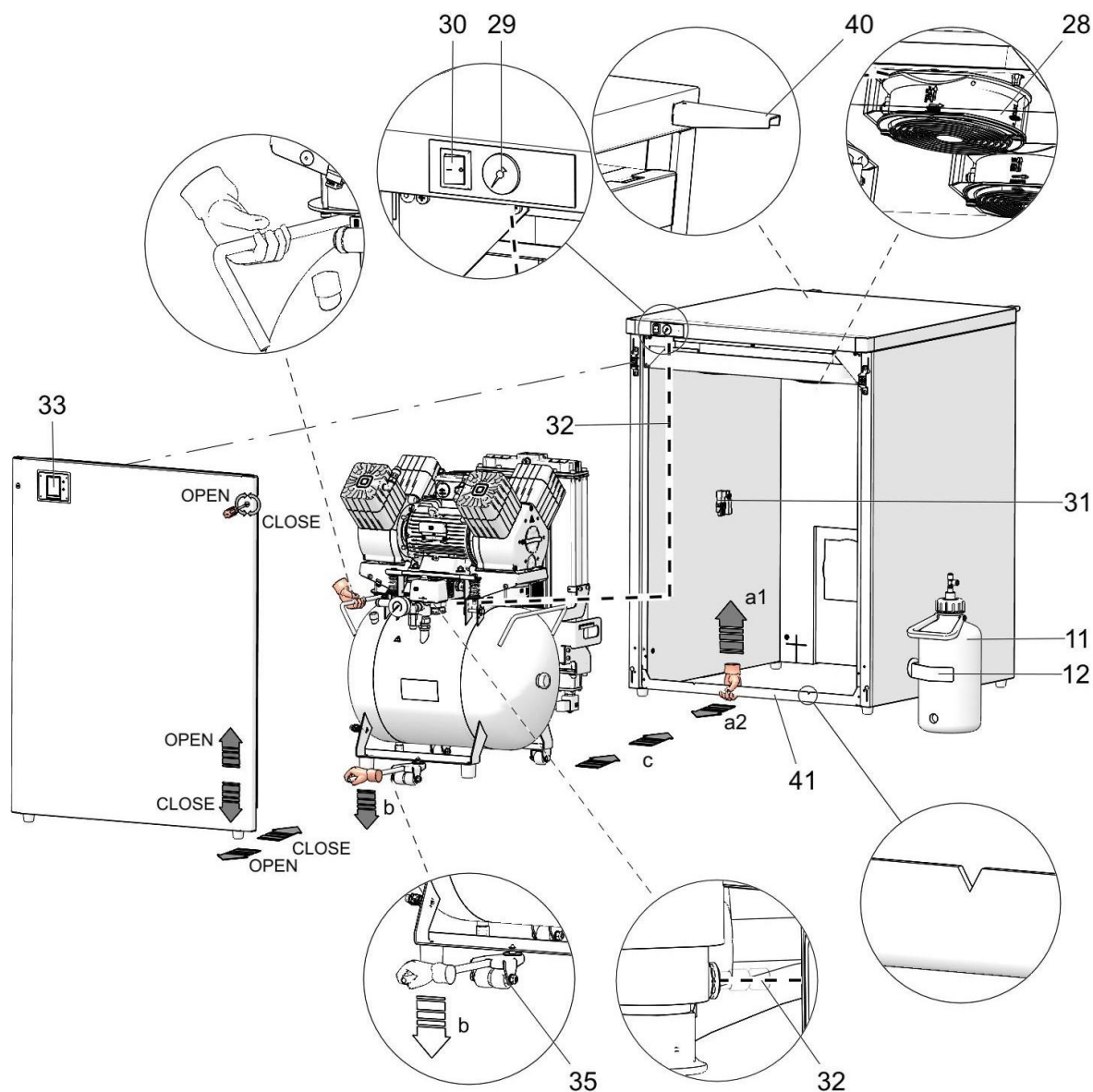


ADM 500/110

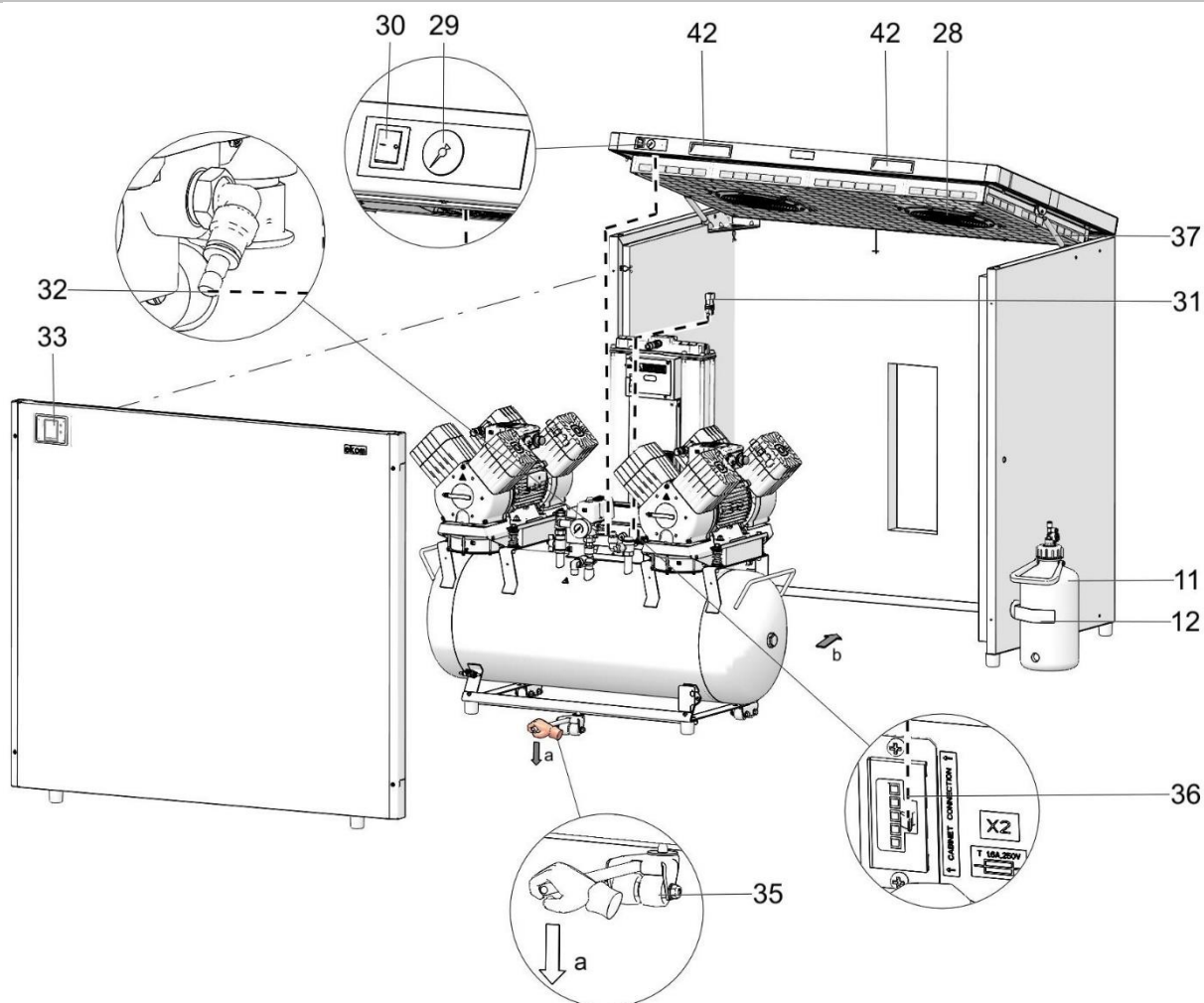
* Pozice (26) platí pro provedení bez skříňky DK50 4VR/50/M, DK50 2x4VR/110/M, pro provedení se skříňkou DK50 4VR/50 S/M, DK50 2x4VR/110 S/M se na pozici (26) nachází krytka.

** V případě skříňkové verze je přes univerzální průchodku (37) vyveden kabel pro připojení displeje (33) umístěného v předním panelu skříňky.

Obr. 4: Skříňka



A – DK50 4VR/50S/M



B – DK50 2x4VR/110S/M

TECHNICKÉ ÚDAJE

Kompresory jsou konstruovány pro prostředí suchých a větraných vnitřních prostor za následujících podmínek:

Teplota +5°C až +40°C

Relativní vlhkost max. 70%

Pracovní tlak 6 – 8 bar		DK50 4VR/50/M	DK50 4VR/50 S/M
Jmenovité napětí, frekvence ^{a)}	V, Hz	3x400, 50	3x400, 50
Výkon kompresoru při přetlaku 6 bar (FAD)	l/min	235	235
Pracovní tlak ^{b)}	bar	6,0 – 8,0	6,0 – 8,0
Jmenovitý proud	A	5,4	5,8
Výkon motoru	kW	2.2	2.2
Objem vzdušníku	l	50	50
Kvalita vzduchu – filtrace	µm	-	-
Přípustný provozní tlak pojistného ventilu	bar	9,0	9,0
Hladina hluku při přetlaku 5 bar (L _{pA})	dB	≤ 73,5	≤ 56,0
Provozní režim	%	S1-100	S1-100
Stupeň sušení - PDP při tlaku 7 bar ^{d)}	°C	≤ -20	≤ -20
Alarm nízkého tlaku sušiče	bar	< 3	< 3
Alarm vysokého tlaku sušiče	bar	> 9	> 9
Alarm vysokého rosného bodu sušiče	°C	> -20	> -20
Čas naplnění vzdušníku z 0 na 7 bar	s	85	85
Rozměry (netto) š x h x v	mm	580x590x815	750x780x1015
Hmotnost netto ^{c)}	kg	95	151
Klasifikace podle ČSN EN 60601-1		Třída I	

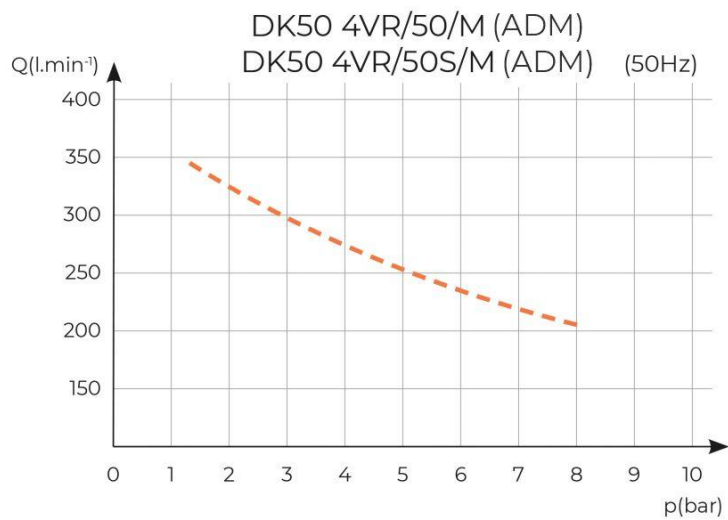
^{a)} Provedení kompresoru uveďte při objednávce

^{b)} Jiný rozsah tlaku je třeba konzultovat s dodavatelem

^{c)} Hodnota hmotnosti je informativní údaj, platí pouze pro výrobek bez doplňkového vybavení

^{d)} Platí při teplotě okolí <30 °C (PDP – pressure dew point – tlakový rosný bod)

Závislost výkonnosti kompresoru od pracovního tlaku



Pracovní tlak 6 – 8 bar		DK50 4VR/50/M	DK50 4VR/50 S/M
Jmenovité napětí, frekvence ^{a)}	V, Hz	3x400, 50/60	3x400, 50
Výkon kompresoru při přetlaku 6 bar (FAD)	l/min	225	225
Pracovní tlak ^{b)}	bar	6,0 – 8,0	6,0 – 8,0
Jmenovitý proud	A	5,4	5,8
Výkon motoru	kW	2.2	2.2
Objem vzdušníku	l	50	50
Kvalita vzduchu – filtrace	μm	-	-
Přípustný provozní tlak pojistného ventilu	bar	9,0	9,0
Hladina hluku při přetlaku 5 bar (L _{pA})	dB	≤ 73,5	≤ 56,0
Provozní režim	%	S1-100	S1-100
Stupeň sušení - PDP při tlaku 7 bar ^{d)}	°C	≤ -40	≤ -40
Alarm nízkého tlaku sušiče	bar	< 3	< 3
Alarm vysokého tlaku sušiče	bar	> 9	> 9
Alarm vysokého rosného bodu sušiče	°C	> -40	> -40
Čas naplnění vzdušníku z 0 na 7 bar	s	90	90
Rozměry (netto) š x h x v	mm	580x590x815	750x780x1015
Hmotnost netto ^{c)}	kg	95	151
Klasifikace podle ČSN EN 60601-1		Třída I	

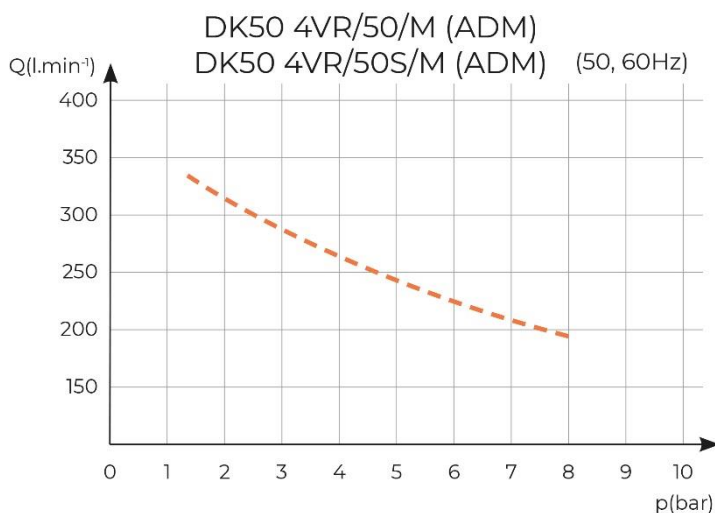
a) Provedení kompresoru uveďte při objednávce

b) Jiný rozsah tlaku je třeba konzultovat s dodavatelem

c) Hodnota hmotnosti je informativní údaj, platí pouze pro výrobek bez doplňkového vybavení

d) Platí při teplotě okolí <30 °C (PDP – pressure dew point – tlakový rosný bod)

Závislost výkonosti kompresoru od pracovního tlaku



Pracovní tlak 8 – 10 bar		DK50 4VR/50/M	DK50 4VR/50 S/M
Jmenovité napětí, frekvence ^{a)}	V, Hz	3x400, 50	3x400, 50
Výkon kompresoru při přetlaku 8 bar (FAD)	l/min	195	195
Pracovní tlak ^{b)}	bar	8,0 – 10,0	8,0 – 10,0
Jmenovitý proud	A	5,4	5,9
Výkon motoru	kW	2.2	2.2
Objem vzdušníku	l	50	50
Kvalita vzduchu – filtrace	μm	-	-
Přípustný provozní tlak pojistného ventilu	bar	12,0	12,0
Hladina hluku při přetlaku 5 bar (L _{pA})	dB	≤ 73,5	≤ 56,0
Provozní režim	%	S1-100	S1-100
Stupeň sušení - PDP při tlaku 7 bar ^{d)}	°C	≤ -20	≤ -20
Alarm nízkého tlaku sušiče	bar	< 3	< 3
Alarm vysokého tlaku sušiče	bar	> 11	> 11
Alarm vysokého rosného bodu sušiče	°C	> -20	> -20
Čas naplnění vzdušníku z 0 na 7 bar	s	105	105
Rozměry (netto) š x h x v	mm	580x590x815	750x780x1015
Hmotnost netto ^{c)}	kg	95	151
Klasifikace podle ČSN EN 60601-1		Třída I	

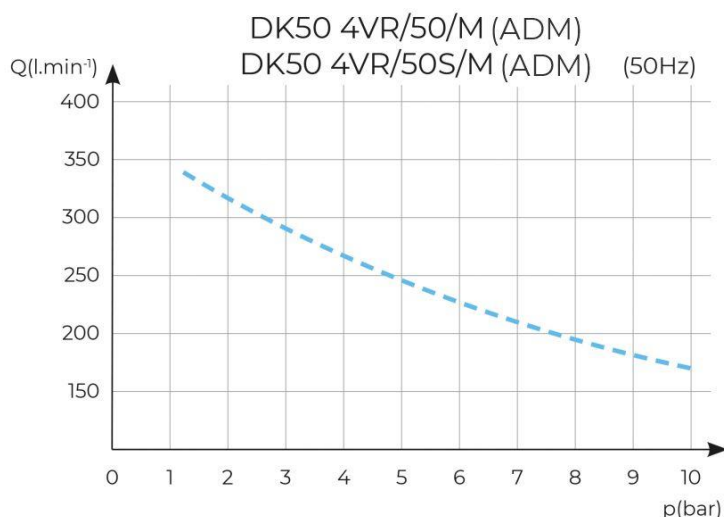
^{a)} Provedení kompresoru uveďte při objednávce

^{b)} Jiný rozsah tlaku je třeba konzultovat s dodavatelem

^{c)} Hodnota hmotnosti je informativní údaj, platí pouze pro výrobek bez doplňkového vybavení

^{d)} Platí při teplotě okolí <30 °C (PDP – pressure dew point – tlakový rosný bod)

Závislost výkonosti kompresoru od pracovního tlaku



Pracovní tlak 8 – 10 bar		DK50 4VR/50/M	DK50 4VR/50 S/M
Jmenovité napětí, frekvence ^{a)}	V, Hz	3x400, 50	3x400, 50
Výkon kompresoru při přetlaku 8 bar (FAD)	l/min	190	190
Pracovní tlak ^{b)}	bar	8,0 – 10,0	8,0 – 10,0
Jmenovitý proud	A	5,4	5,9
Výkon motoru	kW	2.2	2.2
Objem vzdušníku	l	50	50
Kvalita vzduchu – filtrace	μm	-	-
Přípustný provozní tlak pojistného ventilu	bar	12,0	12,0
Hladina hluku při přetlaku 5 bar (L _{pA})	dB	≤ 73,5	≤ 56,0
Provozní režim	%	S1-100	S1-100
Stupeň sušení - PDP při tlaku 7 bar ^{d)}	°C	≤ -40	≤ -40
Alarm nízkého tlaku sušiče	bar	< 3	< 3
Alarm vysokého tlaku sušiče	bar	> 11	> 11
Alarm vysokého rosného bodu sušiče	°C	> -40	> -40
Čas naplnění vzdušníku z 0 na 7 bar	s	105	105
Rozměry (netto) š x h x v	mm	580x590x815	750x780x1015
Hmotnost netto ^{c)}	kg	95	151
Klasifikace podle ČSN EN 60601-1		Třída I	

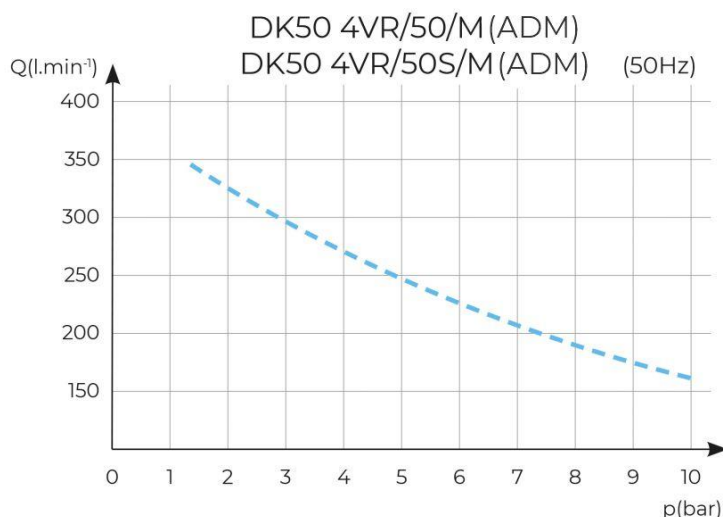
^{a)} Provedení kompresoru uveďte při objednávce

^{b)} Jiný rozsah tlaku je třeba konzultovat s dodavatelem

^{c)} Hodnota hmotnosti je informativní údaj, platí pouze pro výrobek bez doplňkového vybavení

^{d)} Platí při teplotě okolí <30 °C (PDP – pressure dew point – tlakový rosný bod)

Závislost výkonosti kompresoru od pracovního tlaku



Pracovní tlak 6 – 8 bar		DK50 2x4VR/110/M	DK50 2x4VR/110S/M
Jmenovité napětí, frekvence ^{a)}	V, Hz	3x400V, 50Hz	3x400V, 50Hz
Výkon kompresoru při přetlaku 6 bar (FAD)	l/min	470	470
Pracovní tlak ^{b)}	bar	6,0 – 8,0	6,0 – 8,0
Jmenovitý proud	A	10,8	11,2
Výkon motoru	kW	2x2.2	2x2.2
Objem vzdušníku	l	110	110
Kvalita vzduchu – filtrace	μm	-	-
Přípustný provozní tlak pojistného ventilu	bar	9,0	9,0
Hladina hluku při přetlaku 5 bar (L _{pA})	dB	≤ 77,5	≤ 62,0
Provozní režim	%	S1-100	S1-100
Stupeň sušení - PDP při tlaku 7 bar ^{d)}	°C	≤ - 20	≤ - 20
Alarm nízkého tlaku sušiče	bar	< 3	< 3
Alarm vysokého tlaku sušiče	bar	> 9	> 9
Alarm vysokého rosného bodu sušiče	°C	> -20	> -20
Čas naplnění vzdušníku z 0 na 7 bar	s	95	95
Rozměry (netto) š x h x v	mm	1085x675x1050	1260x830x1205
Hmotnost netto ^{c)}	kg	168	258
Klasifikace podle ČSN EN 60601-1		Třída I	

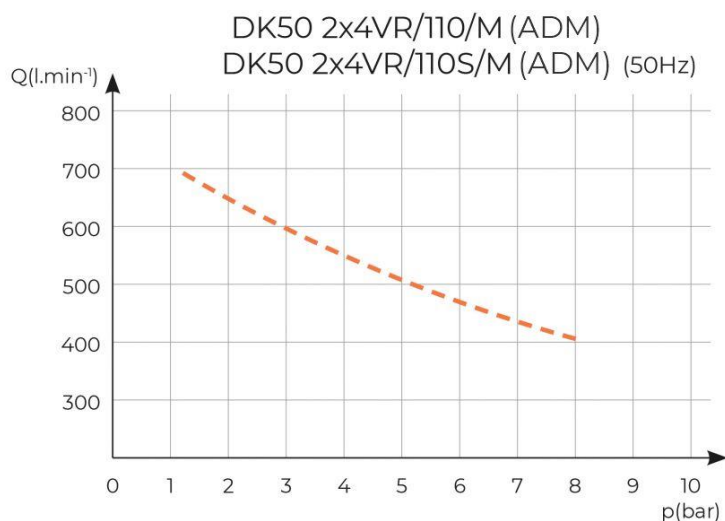
^{a)} Provedení kompresoru uveďte při objednávce

^{b)} Jiný rozsah tlaku je třeba konzultovat s dodavatelem

^{c)} Hodnota hmotnosti je informativní údaj, platí pouze pro výrobek bez doplňkového vybavení

^{d)} Platí při teplotě okolí <30 °C (PDP – pressure dew point – tlakový rosný bod)

Závislost výkonnosti kompresoru od pracovního tlaku



Pracovní tlak 6 – 8 bar		DK50 2x4VR/110/M	DK50 2x4VR/110S/M
Jmenovité napětí, frekvence ^{a)}	V, Hz	3x400V, 50Hz	3x400V, 50Hz
Výkon kompresoru při přetlaku 6 bar (FAD)	l/min	450	450
Pracovní tlak ^{b)}	bar	6,0 – 8,0	6,0 – 8,0
Jmenovitý proud	A	10,8	11,2
Výkon motoru	kW	2x2.2	2x2.2
Objem vzdušníku	l	110	110
Kvalita vzduchu – filtrace	μm	-	-
Přípustný provozní tlak pojistného ventilu	bar	9,0	9,0
Hladina hluku při přetlaku 5 bar (L _{pA})	dB	≤ 77,5	≤ 62,0
Provozní režim	%	S1-100	S1-100
Stupeň sušení - PDP při tlaku 7 bar ^{d)}	°C	≤ - 40	≤ - 40
Alarm nízkého tlaku sušiče	bar	< 3	< 3
Alarm vysokého tlaku sušiče	bar	> 9	> 9
Alarm vysokého rosného bodu sušiče	°C	> -40	> -40
Čas naplnění vzdušníku z 0 na 7 bar	s	100	100
Rozměry (netto) š x h x v	mm	1085x675x1050	1260x830x1205
Hmotnost netto ^{c)}	kg	168	258
Klasifikace podle ČSN EN 60601-1		Třída I	

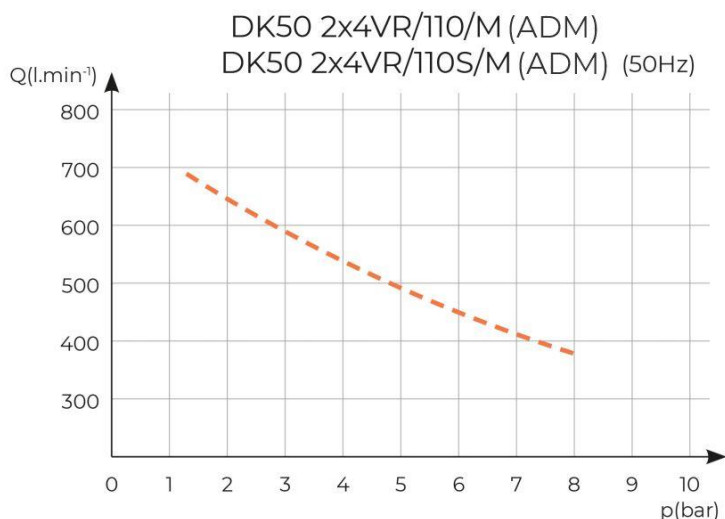
^{a)} Provedení kompresoru uveďte při objednávce

^{b)} Jiný rozsah tlaku je třeba konzultovat s dodavatelem

^{c)} Hodnota hmotnosti je informativní údaj, platí pouze pro výrobek bez doplňkového vybavení

^{d)} Platí při teplotě okolí <30 °C (PDP – pressure dew point – tlakový rosný bod)

Závislost výkonosti kompresoru od pracovního tlaku



Pracovní tlak 8 – 10 bar		DK50 2x4VR/110/M	DK50 2x4VR/110S/M
Jmenovité napětí, frekvence ^{a)}	V, Hz	3x400V, 50Hz	3x400V, 50Hz
Výkon kompresoru při přetlaku 8 bar (FAD)	l/min	395	395
Pracovní tlak ^{b)}	bar	8,0 – 10,0	8,0 – 10,0
Jmenovitý proud	A	10,3	10,8
Výkon motoru	kW	2x2.2	2x2.2
Objem vzdušníku	l	110	110
Kvalita vzduchu – filtrace	μm	-	-
Přípustný provozní tlak pojistného ventilu	bar	12,0	12,0
Hladina hluku při přetlaku 5 bar (L _{pA})	dB	≤ 77,5	≤ 62,0
Provozní režim	%	S1-100	S1-100
Stupeň sušení - PDP při tlaku 7 bar ^{d)}	°C	≤ - 20	≤ - 20
Alarm nízkého tlaku sušiče	bar	< 3	< 3
Alarm vysokého tlaku sušiče	bar	> 11	> 11
Alarm vysokého rosného bodu sušiče	°C	> -20	> -20
Čas naplnění vzdušníku z 0 na 7 bar	s	115	115
Rozměry (netto) š x h x v	mm	1085x675x1050	1260x830x1205
Hmotnost netto ^{c)}	kg	168	258
Klasifikace podle ČSN EN 60601-1		Třída I	

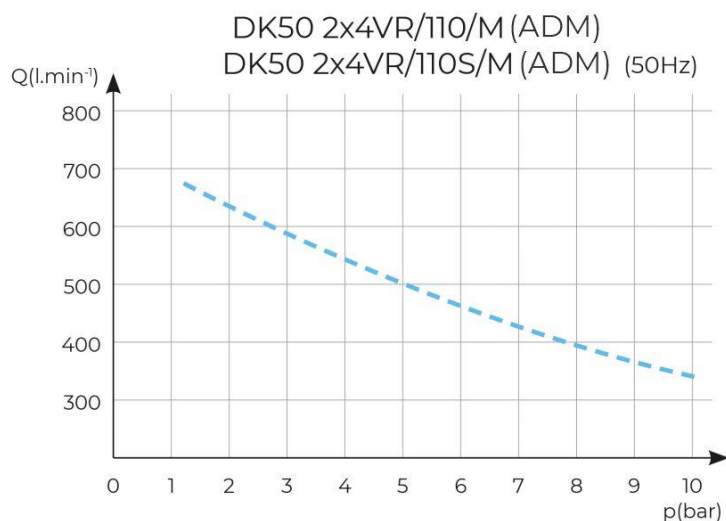
^{a)} Provedení kompresoru uveďte při objednávce

^{b)} Jiný rozsah tlaku je třeba konzultovat s dodavatelem

^{c)} Hodnota hmotnosti je informativní údaj, platí pouze pro výrobek bez doplňkového vybavení

^{d)} Platí při teplotě okolí <30 °C (PDP – pressure dew point – tlakový rosný bod)

Závislost výkonnosti kompresoru od pracovního tlaku



Pracovní tlak 8 – 10 bar		DK50 2x4VR/110/M	DK50 2x4VR/110S/M
Jmenovité napětí, frekvence ^{a)}	V, Hz	3x400V, 50Hz	3x400V, 50Hz
Výkon kompresoru při přetlaku 8 bar (FAD)	l/min	380	380
Pracovní tlak ^{b)}	bar	8,0 – 10,0	8,0 – 10,0
Jmenovitý proud	A	10,3	10,8
Výkon motoru	kW	2x2.2	2x2.2
Objem vzdušníku	l	110	110
Kvalita vzduchu – filtrace	μm	-	-
Přípustný provozní tlak pojistného ventilu	bar	12,0	12,0
Hladina hluku při přetlaku 5 bar (L _{pA})	dB	≤ 77,5	≤ 62,0
Provozní režim	%	S1-100	S1-100
Stupeň sušení - PDP při tlaku 7 bar ^{d)}	°C	≤ - 40	≤ - 40
Alarm nízkého tlaku sušiče	bar	< 3	< 3
Alarm vysokého tlaku sušiče	bar	> 11	> 11
Alarm vysokého rosného bodu sušiče	°C	> -40	> -40
Čas naplnění vzdušníku z 0 na 7 bar	s	120	120
Rozměry (netto) š x h x v	mm	1085x675x1050	1260x830x1205
Hmotnost netto ^{c)}	kg	168	258
Klasifikace podle ČSN EN 60601-1		Třída I	

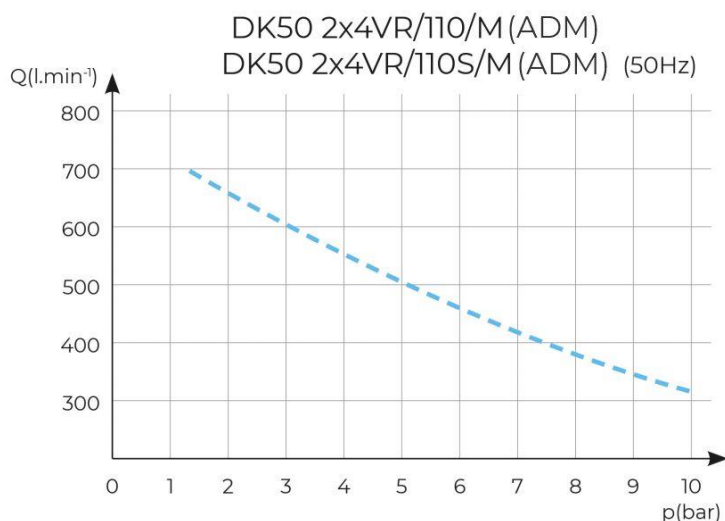
a) Provedení kompresoru uveďte při objednávce

b) Jiný rozsah tlaku je třeba konzultovat s dodavatelem

c) Hodnota hmotnosti je informativní údaj, platí pouze pro výrobek bez doplňkového vybavení

d) Platí při teplotě okolí <30 °C (PDP – pressure dew point – tlakový rosný bod)

Závislost výkonosti kompresoru od pracovního tlaku



Korekce FAD výkonnosti podle nadmořské výšky

Výkonnost udávaná ve formě FAD („Free Air Delivery“) se vztahuje na podmínky:

Nadmořská výška	0 m. n. m.	Teplota	20 °C
Atmosférický tlak	101 325 Pa	Relativní vlhkost	0 %

Pro přepočítání FAD výkonnosti kompresoru v závislosti na nadmořské výšce je třeba aplikovat korekční faktor podle následující tabulky:

Nadm. výška [m. n. m.]	0–1500	1501–2500	2501–3500	3501–4500
Korekční faktor FAD	1	0,8	0,71	0,60

Prohlášení k elektromagnetické kompatibilitě

Přístroj vyžaduje speciální obezřetnost týkající se elektromagnetické kompatibility (EMC) a vyžaduje instalaci a uvedení do provozu v souladu s EMC informacemi uvedenými níže.

Návod a prohlášení výrobce - elektromagnetická vyzařování		
Podle IEC 60601-1-2: 2014/AMD,;2020 - Zdravotnické elektrické přístroje. Část 1-2: Všeobecné požadavky na základní bezpečnost a nezbytnou funkčnost. Skupinová norma: Elektromagnetické rušení		
Přístroj je určen pro použití v elektromagnetickém prostředí specifikovaném níže. Zákazník nebo uživatel by měly zajistit, aby byl přístroj používán v takovém prostředí.		
Zkouška vyzařování	Shoda	Elektromagnetické prostředí - návod
RF vyzařování CISPR 11	Skupina 1	Přístroj využívá RF energii pouze pro svoji interní funkci. Proto jsou RF emise velmi nízké a pravděpodobně nezpůsobí rušení blízkých elektronických zařízení.
RF vyzařování CISPR 11	Třída B	Přístroj je vhodný pro použití ve všech institucích, včetně domácností a těch objektů, jež jsou přímo připojeny k veřejné nízkonapěťové napájecí síti, která zásobuje budovy používané pro účely bydlení.
Harmonická vyzařování IEC 61000-3-2	Třída A	
Kolísání napětí / blikavé vyzařování IEC 61000-3-3	Přístroj pravděpodobně nebude způsobovat blikavé vyzařování, protože proud po spuštění je přibližně konstantní.	

Návod a prohlášení výrobce - elektromagnetická odolnost

Podle IEC 60601-1-2: 2014/AMD1:2020 - Zdravotnické elektrické přístroje. Část 1-2: Všeobecné požadavky na základní bezpečnost a nezbytné provozní vlastnosti. Skupinová norma: Elektromagnetické rušení

Přístroj je určen pro použití v elektromagnetickém prostředí specifikovaném níže. Zákazník nebo uživatel by měly zajistit, aby byl přístroj používán v takovém prostředí.


Zkouška odolnosti	Zkušební úroveň IEC 60601-1-2	Vyhovující úroveň	Elektromagnetické prostředí - návod
Elektrostatický výboj (ESD) dle IEC 61000-4-2	±8 kV kontakt ±15 kV vzduch	±8 kV kontakt ±15 kV vzduch	Podlaha by měla být dřevěná, betonová nebo keramická. Pokud je podlaha pokryta syntetickým materiálem, musí být relativní vlhkost vzduchu alespoň 30%.
Rychlé elektrické přechodné jevy / skupiny impulzů IEC 61000-4-4	± 2 kV u napájecích vedení ± 1 kV u vstupního / výstupního vedení	± 2 kV 100 kHz frekvence opakování Připojené na síť	Jakost napájecí sítě by měla být taková, jenž je typická pro komerční nebo nemocniční prostředí.
Rázový impulz IEC 61000-4-5	± 1 kV rozdílový režim ± 2 kV společný režim	± 1 kV L-N ± 2 kV L-PE; N-PE Připojené na síť	Jakost napájecí sítě by měla být taková, jenž je typická pro komerční nebo nemocniční prostředí.
Pokles napětí, krátké přerušení a změny napětí na vstupních elektrických rozvodech IEC 60601-4-11	UT = 0%, 0,5 cyklu (Při 0, 45, 90, 135, 180, 225, 270 a 315 °) UT = 0%, 1 cyklus UT = 70% 25/30 cyklů (při 0 °) UT = 0%, 250/300 cyklů	UT => 95%, 0,5 cyklu (Při 0, 45, 90, 135, 180, 225, 270 a 315 °) UT => 95%, 1 cyklus UT = 70% (30% pokles UT), 25 (50Hz) / 30 (60Hz) cyklů (při 0 °) UT => 95%, 250 (50Hz) / 300 (60Hz) cyklů	Jakost napájecí sítě by měla být taková, jenž je typická pro komerční nebo nemocniční prostředí. Přístroj se automaticky zastaví a restartuje při každém poklesu napětí. V tomto případě nedochází k nepřijatelnému poklesu tlaku.
Magnetické pole síťového kmitočtu (50/60 Hz) podle IEC 61000-4-8	30 A/m	30 A/m	Magnetické pole síťového kmitočtu by měla odpovídat typickým hodnotám, které se nacházejí v komerčním nebo nemocničním prostředí.
Vyzařovaná pole v těsné blízkosti podle normy IEC 61000-4-39	30 A/m	30 A/m	Magnetické pole síťového kmitočtu by měla odpovídat typickým hodnotám, které se nacházejí v komerčním nebo nemocničním prostředí.

POZNÁMKA: UT je AC síťové napájení před aplikací zkušební úrovně.

Návod a prohlášení výrobce - elektromagnetická odolnost

Podle IEC 60601-1-2: 2014/AMD1:2020 - Zdravotnické elektrické přístroje. Část 1-2: Všeobecné požadavky na základní bezpečnost a nezbytné provozní vlastnosti. Skupinová norma: Elektromagnetické rušení

Přístroj je určen pro použití v elektromagnetickém prostředí specifikovaném níže. Zákazník nebo uživatel by měly zajistit, aby byl přístroj používán v takovém prostředí.

Zkouška odolnosti	Zkušební úroveň IEC 60601-1-2	Vyhovující úroveň	Elektromagnetické prostředí - návod
Vedený vysoký kmitočet IEC 61000-4-6	3 Vrms 150 kHz až 80MHz	3 Vrms	Přenosné a mobilní vysokofrekvenční sdělovací zařízení se nemají používat blíže jakékoliv části přístroje včetně kabelů, než je doporučená oddělovací vzdálenost vypočtená pomocí rovnice vhodné pro kmitočet vysílače. Doporučená oddělovací vzdálenost $d=1,2\sqrt{P}$ $d=1,2\sqrt{P}$, 80 MHz až 800 MHz $d=2,3\sqrt{P}$, 800 MHz až 2,7 GHz kde P je maximální jmenovitý výstupní výkon vysílače ve wattch (W) podle údajů výrobce vysílače a d je doporučená oddělovací vzdálenost v metrech (m).
Vyzařovaný vysoký kmitočet IEC 61000-4-3	3 V/m 80 MHz až 2,7 GHz	3 V/m	Intenzity pole ze stálých vysokofrekvenčních vysílačů, určené přehledem elektromagnetické charakteristiky daného místa ^a , by měla být v každém kmitočtovém rozsahu ^b nižší než vyhovující úroveň. V okolí přístroje označeného následující značkou může dojít k rušení:
Blízké pole od RF bezdrátových komunikačních přístrojů IEC 61000-4-3	9 až 28 V/m 15 určených frekvencí (380 až 5800 MHz)	9 až 28 V/m 15 určených frekvencí (380 až 5800 MHz)	

POZNÁMKA 1 Při 80 MHz a 800 MHz platí vyšší kmitočtový rozsah.

POZNÁMKA 2 Tento návod nemusí platit ve všech situacích. Šíření elektromagnetického vlnění je ovlivněno pohlcováním a odrazem od staveb, předmětů a lidí.

^a Intenzity pole ze stálých vysílačů, jako jsou základnové stanice u rádiových (buňkových/bezšňůrových) telefonů a pozemních mobilních i amatérských radiostanic, u AM a FM rádiového a televizního vysílání, nemohou být přesně teoreticky předpovídány. K posouzení elektromagnetického prostředí pro stálé vysokofrekvenční vysílače by měl být zvážen přehled o elektromagnetické charakteristice v místě. Pokud naměřená intenzita pole na místě, na kterém je přístroj používán, překročí výše uvedenou příslušnou vysokofrekvenční vyhovující úroveň, je třeba přístroj pozorovat, aby bylo možné ověřit jeho normální provoz. Neobvyklé chování si může vyžádat dodatečná opatření, např. jiné nasměrování nebo přemístění přístroje.

^b V celém kmitočtovém rozsahu od 150 kHz do 80 MHz by intenzita pole měla být nižší než 3 V/m.

INSTALACE



Nebezpečí nesprávné instalace

Kompresor smí instalovat a poprvé uvést do provozu pouze kvalifikovaný odborník. Jeho povinností je zaškolit obsluhující personál o používání a údržbě zařízení. Instalaci a zaškolení obsluhy potvrdí zápisem v dokumentu o instalaci zařízení.

10. INŠTALAČNÍ PODMÍNKY

- Kompresor se smí instalovat a provozovat pouze v suchých, dobře větraných a bezprašných prostorách, kde parametry prostředí odpovídají požadavkům uvedeným v kap. Technické údaje.



Nebezpečí poškození zařízení.

Kompresory nesmí být provozovány ve venkovním ani ve vlhkém nebo mokřém prostředí.



Nebezpečí výbuchu.

Je zakázáno používat zařízení v prostorech s výskytem výbušných plynů, prachu nebo hořlavých kapalin.



Nebezpečí popálení nebo požáru. Pozor, horký povrch.

Během provozu kompresoru se části agregátu, části sušiče zahřívají na teploty nebezpečné pro kontakt s obsluhou nebo materiálem.

- Kompresor se musí instalovat tak, aby byl snadno přístupný pro obsluhu a údržbu a aby byl přístupný výrobní štítek.
- Kompresor musí stát na rovném a dostatečně stabilním podkladu (pozor na hmotnost kompresoru, viz kap. Technické údaje).



Nebezpečí vysoké teploty.

Je zakázáno vytvářet překážky pro proudění vzduchu před a za chladičem sušiče. Může dojít k nebezpečnému nárůstu teploty vnitřních i vnějších částí sušiče.



Při prvním uvedení do provozu můžete dočasně (na krátkou dobu) cítit charakteristický pach nového výrobku. Tento pach je pouze krátkodobý a nebrání řádnému používání výrobku. Po instalaci zajistěte větrání místnosti.

11. SESTAVENÍ KOMPRESORU

11.1. Manipulace a odjištění

- Vybalit kompresor z obalu.
- U kompresoru se skříňkou odstraňte dvířka uchycená šrouby a u kompresoru DK50 4VR/50/M odstraňte spojovací lištu (41) v přední spodní části skříňky. Sejměte skříňku z kompresoru.
- Uvolněte kompresor z palety povolením fixačních šroubů (Obr. 5).
- Uložit kompresor na místo provozu (Obr. 6).

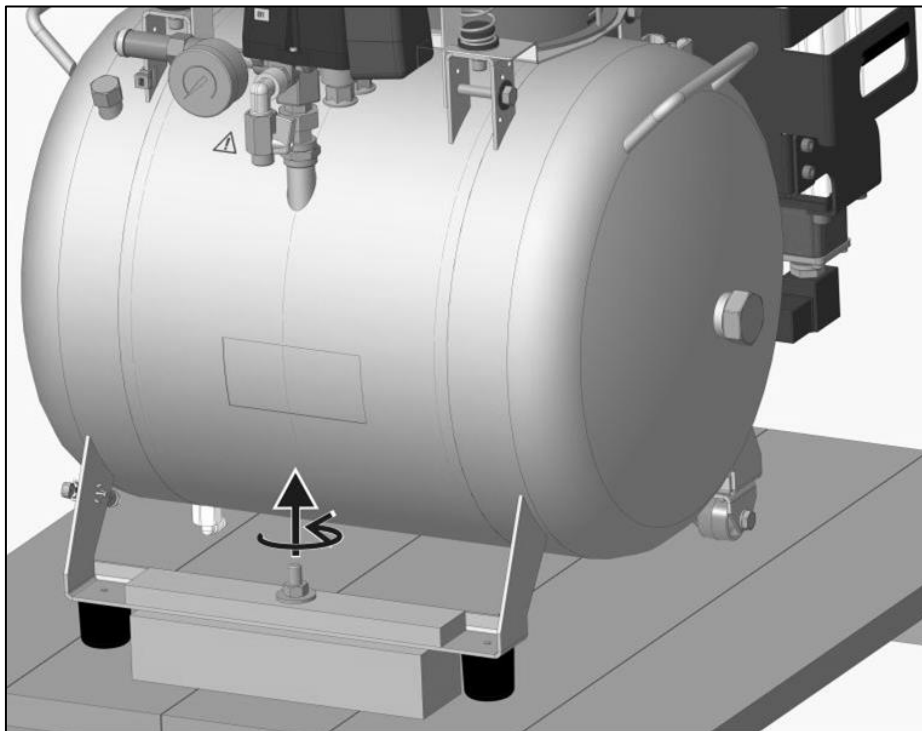


Při manipulaci s kompresorem používejte k uchopení manipulační popruhy a madlo kompresoru. K uchopení nepoužívejte jiné části kompresoru (agregát, chladič apod.).



Při manipulaci se zařízením je potřeba přizpůsobit počet osob podle hmotnosti zařízení.

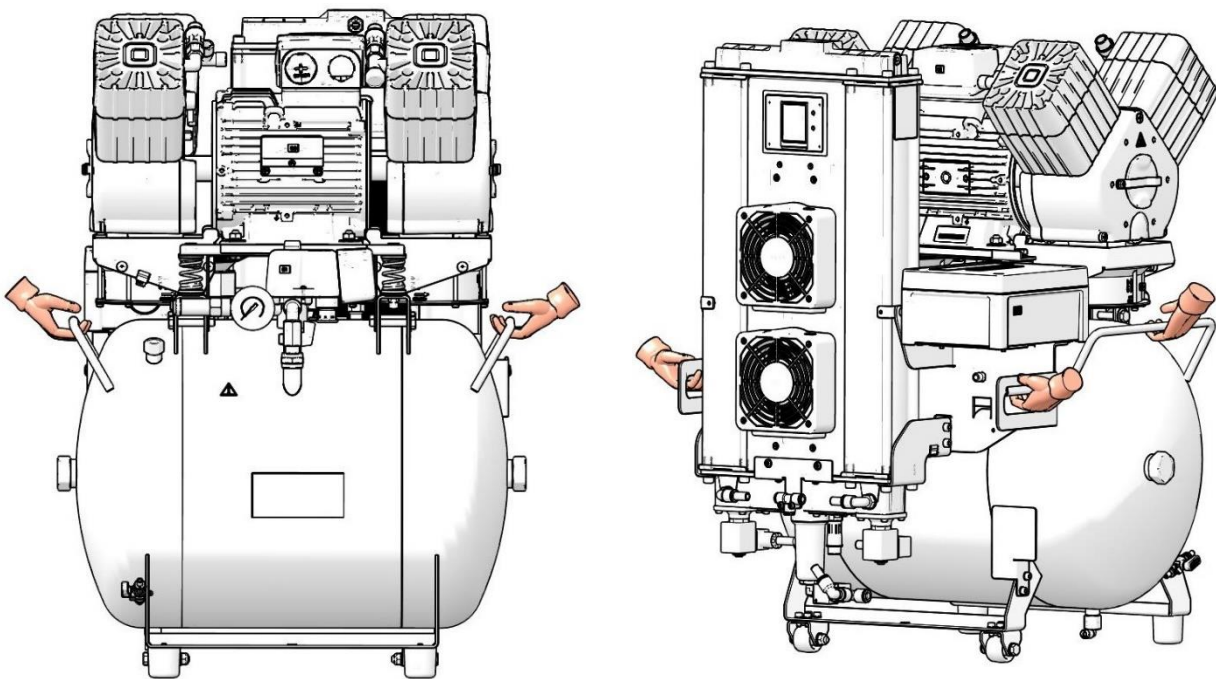
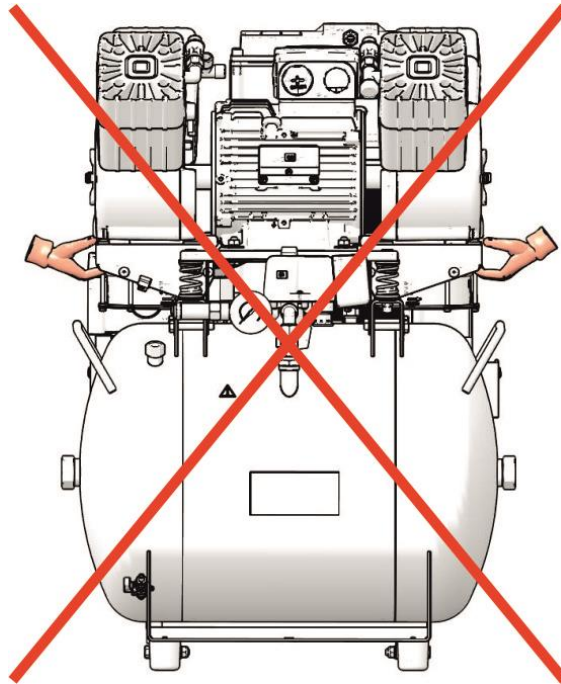
Obr. 5: Odstranění přepravní fixace

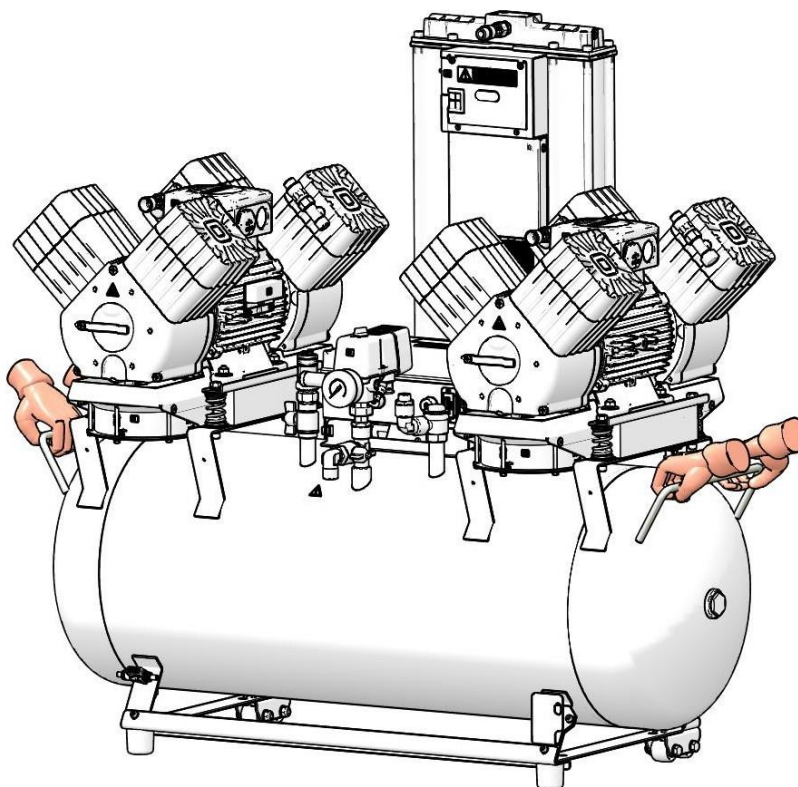
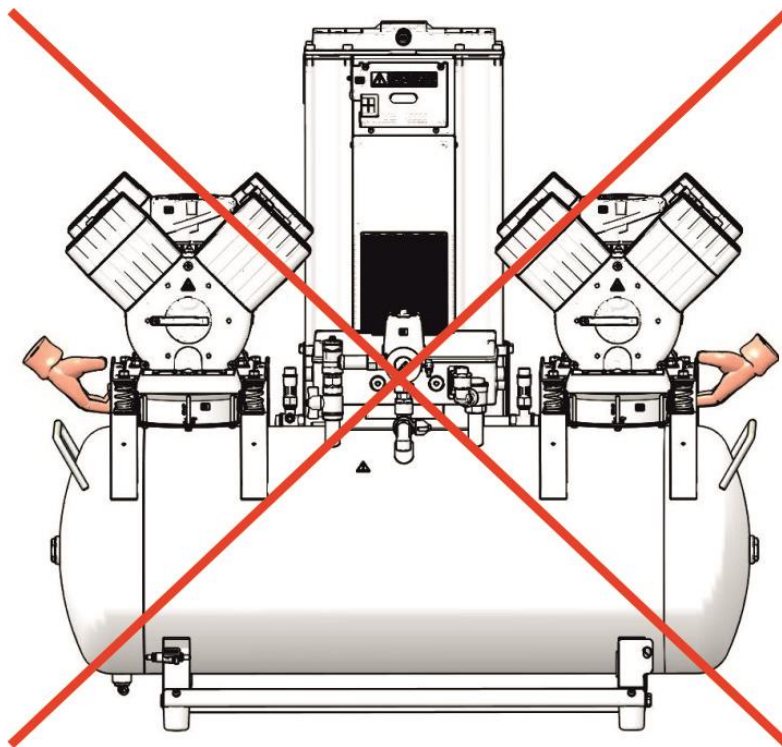


DK50 4VR/50



DK50 2x4VR/110

Obr. 6: Manipulace s kompresorem**DK50 4VR/50**



DK50 2x4VR/110

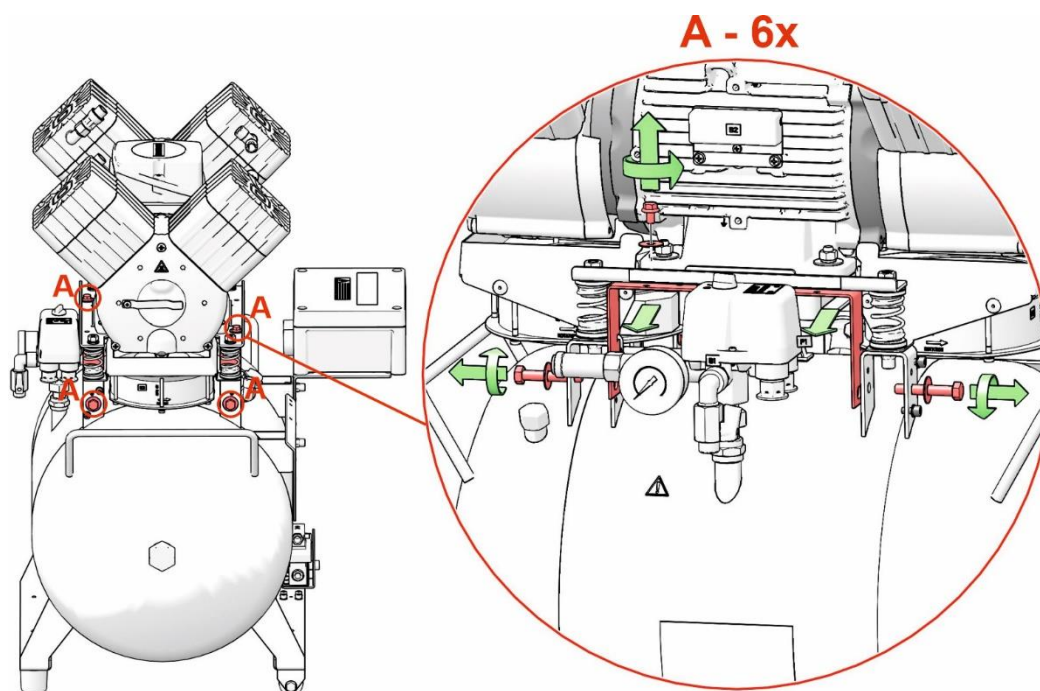
- Odstraňte přepravní zajištění agregátů, horní šrouby odstraňte klíčem č. 10, spodní boční šrouby odstraňte klíčem č. 13 (Obr. 7).



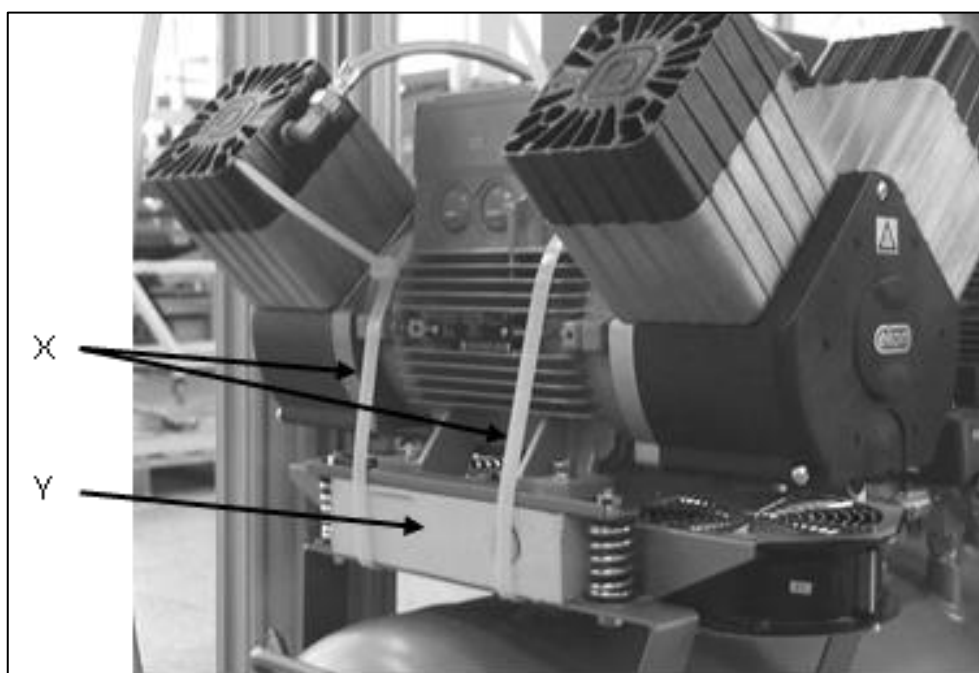
Před prvním uvedením do provozu se musí odstranit všechny jistící prvky sloužící k fixaci zařízení během dopravy - jinak hrozí poškození výrobku.

Fixační prvky agregátů odstraňte až po ustavení a vyvážení kompresoru na místě konečného uložení.

Obr. 7: Odjištění agregátů



DK50 4VR/50



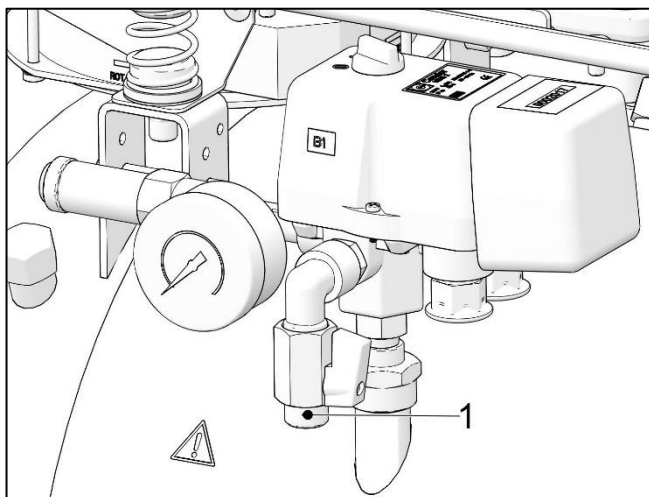
DK50 2x4VR/110

12. PNEUMATICKÉ PŘIPOJENÍ

12.1. Připojení k výstupu stlačeného vzduchu

- Z výstupu stlačeného vzduchu (1) kompresoru ved'te tlakovou hadici ke spotřebiči.
- Připojení G3/8" (DK50 4VR/50), G1/2" (DK50 2x4VR/110).
- U kompresoru ve skříňce vyved'te tlakovou hadici přes otvor v zadní stěně skříňky.

DK50 4VR/50



DK50 2x4VR/110

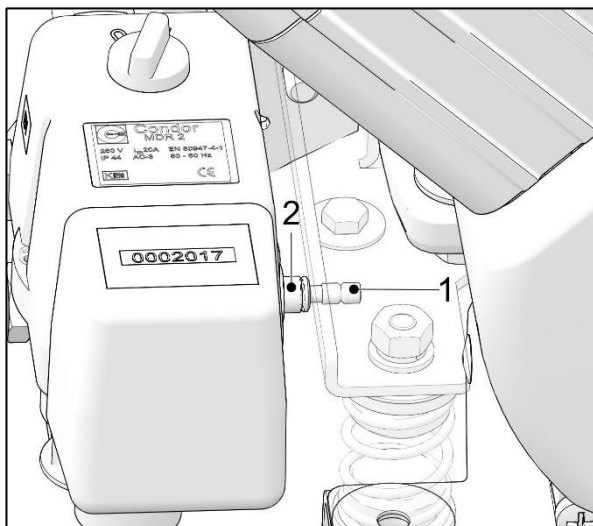


Obr. 8: Připojení k výstupu stlačeného vzduchu

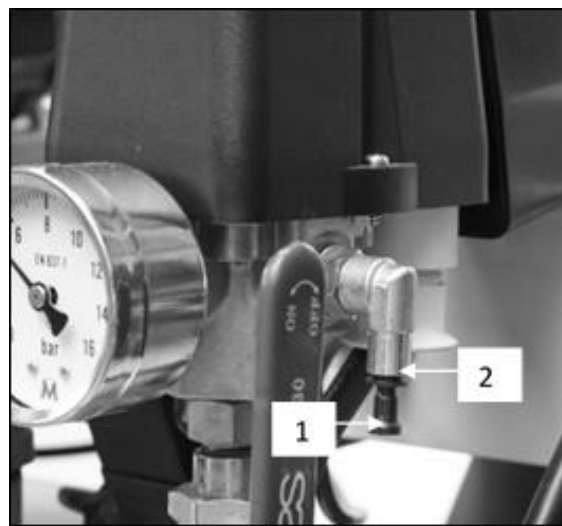
12.2. Připojení tlakoměru skříňky ke kompresoru

- Odstraňte zátku (1) ze šroubení (2) na pneumatickém bloku kompresoru.
- Hadičku manometru skříňky připojte ke šroubení.

DK50 4VR/50



DK50 2x4VR/110



Obr. 9: Připojení tlakoměru skříňky ke kompresoru

12.3. Výstup kondenzátu

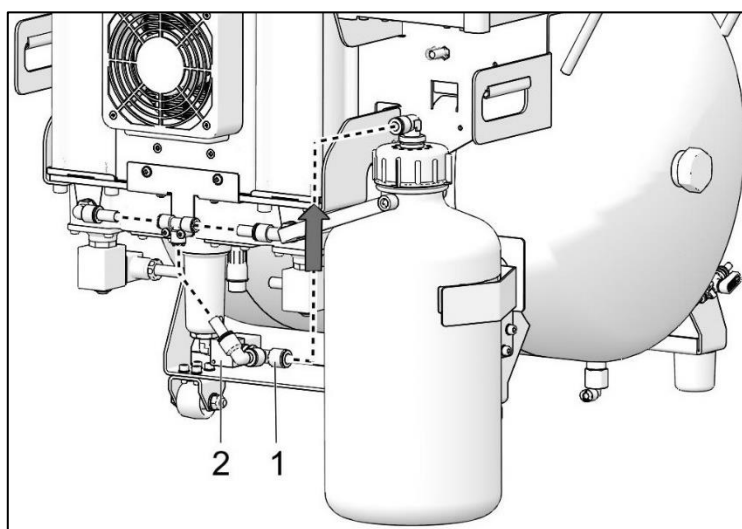


Nebezpečí poranění.

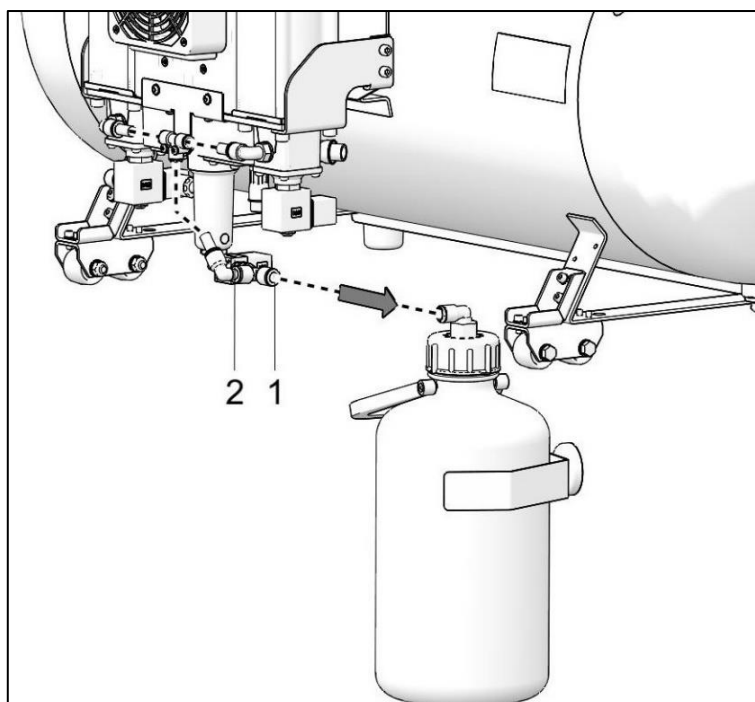
Odvod kondenzátu se nesmí přímo připojit do odpadu! Může dojít k poranění kolemjdoucí osoby!

- Výstup (1) z automatického odvodu kondenzátu (2) připojte hadičkou k přibalené sběrné nádobě.
- U kompresoru ve skřínce vedte hadičku přes zadní otvor ve skřínce. Nádobu na sběr kondenzátu uchyťte k bočnímu panelu nebo k zadnímu panelu skříně.

Obr. 10: Výstup kondenzátu



DK50 4VR/50/M



DK50 2x4VR/110/M



Nebezpečí poškození pneumatických částí.
Vzduchové hadice nesmí být zlomené.

13. ELEKTRICKÉ ZAPOJENÍ

- Výrobek se dodává s kabelem zakončeným zástrčkou s ochranným kontaktem. Síťovou zástrčku zapojte do síťové zásuvky.
- U kompresoru ve skříňce vyvedte kabel elektrického přívodu přes otvor v zadní stěně skříňky.
- Zásuvka musí být z bezpečnostních důvodů dobře přístupná, aby bylo možné výrobek v případě nebezpečí bezpečně odpojit od sítě.
- Příslušný proudový okruh musí být v rozvodu elektrické energie jištěný minimálně na 16 A.



Nebezpečí úrazu elektrickým proudem.

Je nutné respektovat místní elektrotechnické předpisy. Napětí sítě a frekvence musí souhlasit s údaji na štítku přístroje.



Nebezpečí požáru a úrazu elektrickým proudem.

Elektrický kabel pro připojení na elektrickou síť nesmí být zlomený.



Nebezpečí požáru a úrazu elektrickým proudem.

Elektrický kabel se nesmí dotýkat horkých částí kompresoru.

- Kolík pro ekvipotenciální pospojování \varnothing 6 mm (1) propojte s rozvodem podle platných elektrotechnických předpisů.
- Zásuvka ekvipotenciálního pospojování (2) je doplňkové příslušenství a není součástí základního balení výrobku



Obr. 11: Ekvipotenciální pospojování

- Nasuňte konektor uzemňovacího vodiče na dveře a přišroubujte na skříňku.

Přívod napájecího napětí

Napájecí napětí	Typ elektrického vodiče
230V/50 (60) Hz	3Gx1.5x4000
400V/50 (60) Hz	5Gx1.5x4000

13.1. Zapojení kompresoru bez skříňky

- Síťovou zástrčku zapojte do síťové zásuvky.
- Kompresor je připravený k provozu.

13.2. Zapojení kompresoru ve skříňce

- U kompresoru ve skříňce vyvedte síťový kabel přes otvor v zadní stěně skříňky (Obr. 12).
- Skříňku elektricky připojte ke kompresoru pomocí kabelu s konektorem do zásuvky (Obr. 13).

- Skříňku elektricky odpojte od kompresoru vytáhnutím konektoru ze zásuvky s uvolněnou západkou.
- Připojte displej v předních dveřích skříňky, šňůru k displeji zafixujte v příchýtkách (1). V případě výrobku DK50 4VR/50 S/M zafixujte šňůru v příchýtkce (1) ve dveřích skříňky (Obr. 18). U výrobku DK50 2×4VR/110 S/M fixujte šňůru ve třech příchýtkách (1) v rámci pláště skříňky (Obr. 22).



Obr. 12: Otvor v zadní stěně skříňky



Obr. 13: Zapojení skříňky ke kompresoru

14. UMÍSTĚNÍ KOMPRESORU DO SKŘÍŇKY

14.1. DK50 4VR/50S/M (Obr. 4-A):

Demontáž dveří skříňky

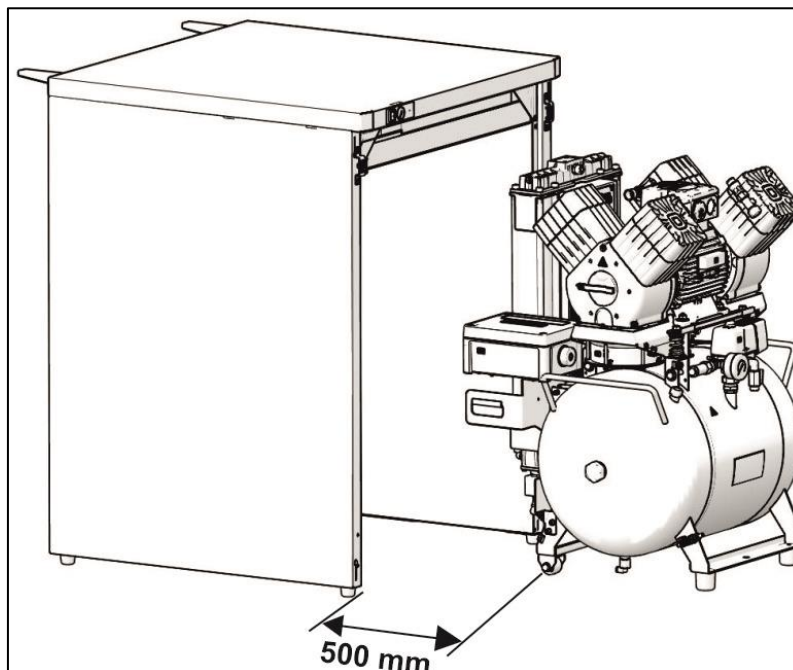
- Odmontujte dveře uchycené 2 ks šroubů a odpojte konektor displeje a uzemňovací vodič.



Při demontáži předních dveří zkontrolujte odpojení konektoru displeje – hrozí jeho poškození.

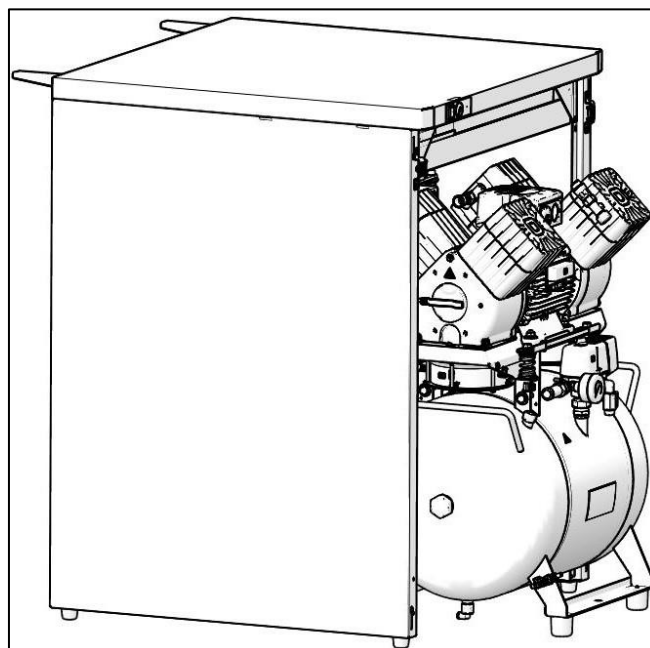
Umístění kompresoru

- Sejměte spojovací lištu (41) v přední části skříňky dole.
- Kompresor umístěte min. 500 mm od skříňky, aby bylo možné manipulovat s hadicemi a napájecím kabelem uvnitř skříňky (Obr. 14).



Obr. 14: Umístění kompresoru pro připojení

- Pneumatické připojení provedte podle kap. 12.1.
- Připojte nádobu na sběr kondenzátu podle kap. 12.3.
- Tlakovou hadici, hadičku pro odvod kondenzátu a síťový kabel vyvedte přes otvor v zadní stěně skříňky.
- Umístěte kompresor do takové vzdálenosti od skříňky, aby bylo možné připojit konektor winsta pro elektrické propojení kompresoru se skříňkou (Obr. 13, Obr. 15).

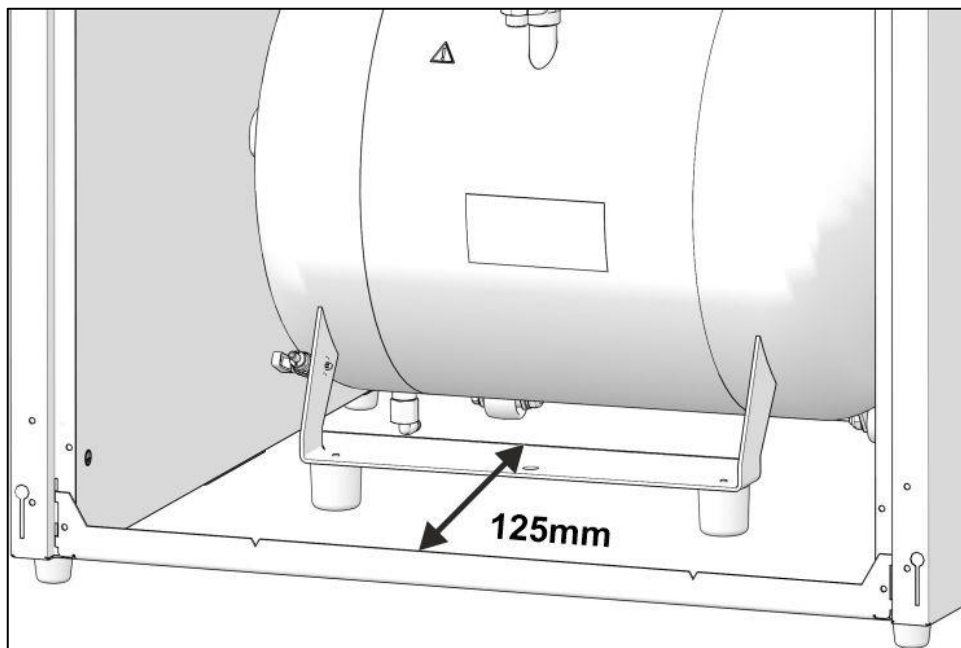


Obr. 15: Umístění kompresoru s ohledem na elektrické zapojení

- Kompresor elektricky zapojte podle kap. 13.
- Kompresor zasuňte do skříňky pomocí odtahu (35), spojovací lištu položte před skříňku a upravte polohu kompresoru tak, aby dva zářezy typu „V“ na spojovací liště (41) byly před nohama

kompresoru (Obr. 4).

- Zkontrolujte správné zasunutí kompresoru do skříňky podle kontrolního rozměru (Obr. 16).



Obr. 16: Umístění kompresoru DK50 4VR/50/M ve skříňce

- Uložte spojovací lištu (41) na původní místo ve spodní části skříňky.
- Připojte manometr skříňky ke kompresoru podle kap. 12.2.



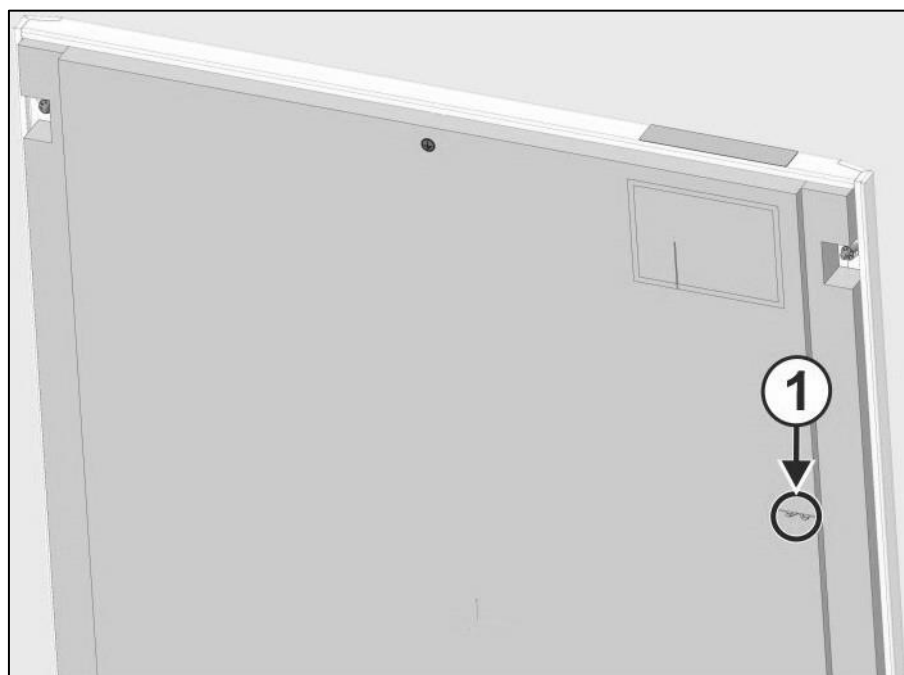
Kompresor se sušičem vzduchu se nesmí zasunout do skříňky úplně, jinak hrozí trvalé poškození sušiče.

Montáž dveří skříňky

- Přiložte dvířka ke skříňce, připojte konektor displeje (Obr. 17) a kabel k displeji zafixujte v příchytce (1) v předních dvířkách (Obr. 18).
- Připojte uzemňovací vodič ke dvířkám, nasadte dvířka na skříňku a upevněte je 2 šrouby.



Obr. 17: Připojení konektoru displeje



Obr. 18: Přichytky skříňky DK50 4VR/50 S/M

14.2. DK50 2x4VR/110S/M (Obr. 4-B):

Otevření horního víka

- Zdvihněte horní víko skříňky uchycením za madlo (42) tak, aby plynová péra udržela víko v otevřené poloze.



Při zavírání víka skříňky dbejte zvýšené opatrnosti – riziko přivření prstů.

Po zavření víka skříňky je vždy třeba zajistit rychloupínací prvky!

Demontáž předního panelu skříňky

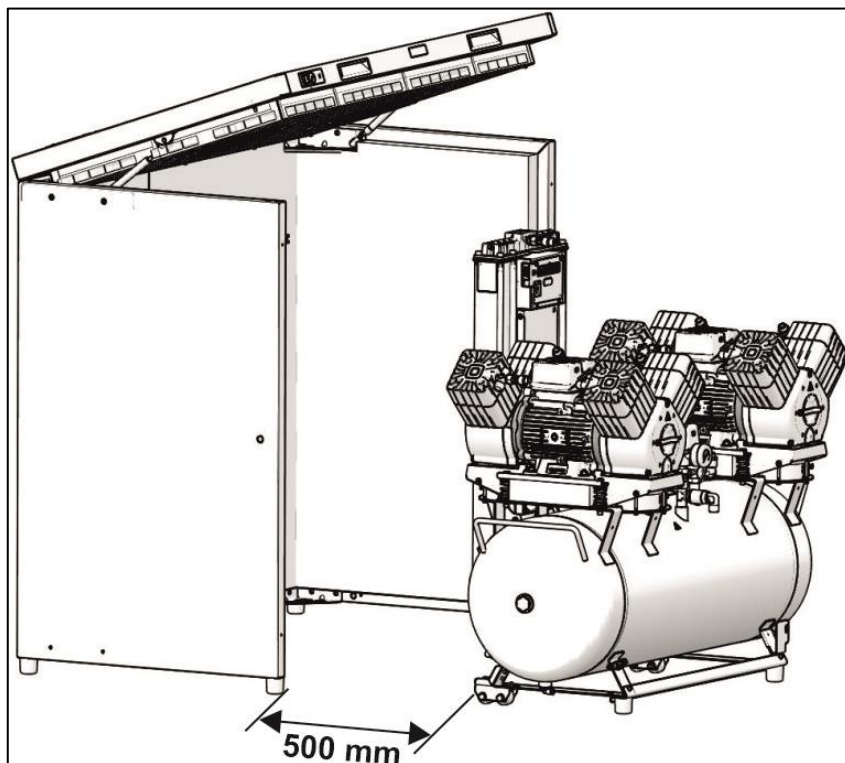
- Odmontujte dveře uchycené 4 ks šroubů M5 a odpojte konektor displeje a uzemňovací vodič.



Při demontáži předních dveří zkontrolujte odpojení konektoru displeje – hrozí jeho poškození.

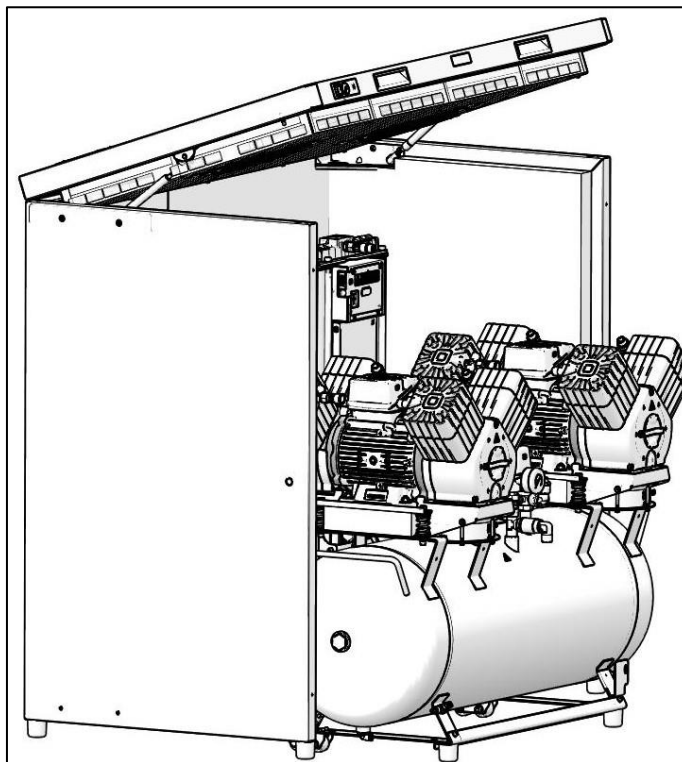
Umístění kompresoru

- Kompresor umístěte min. 500 mm od skříňky, aby bylo možné manipulovat s hadicemi a napájecím kabelem uvnitř skříňky (Obr. 19).



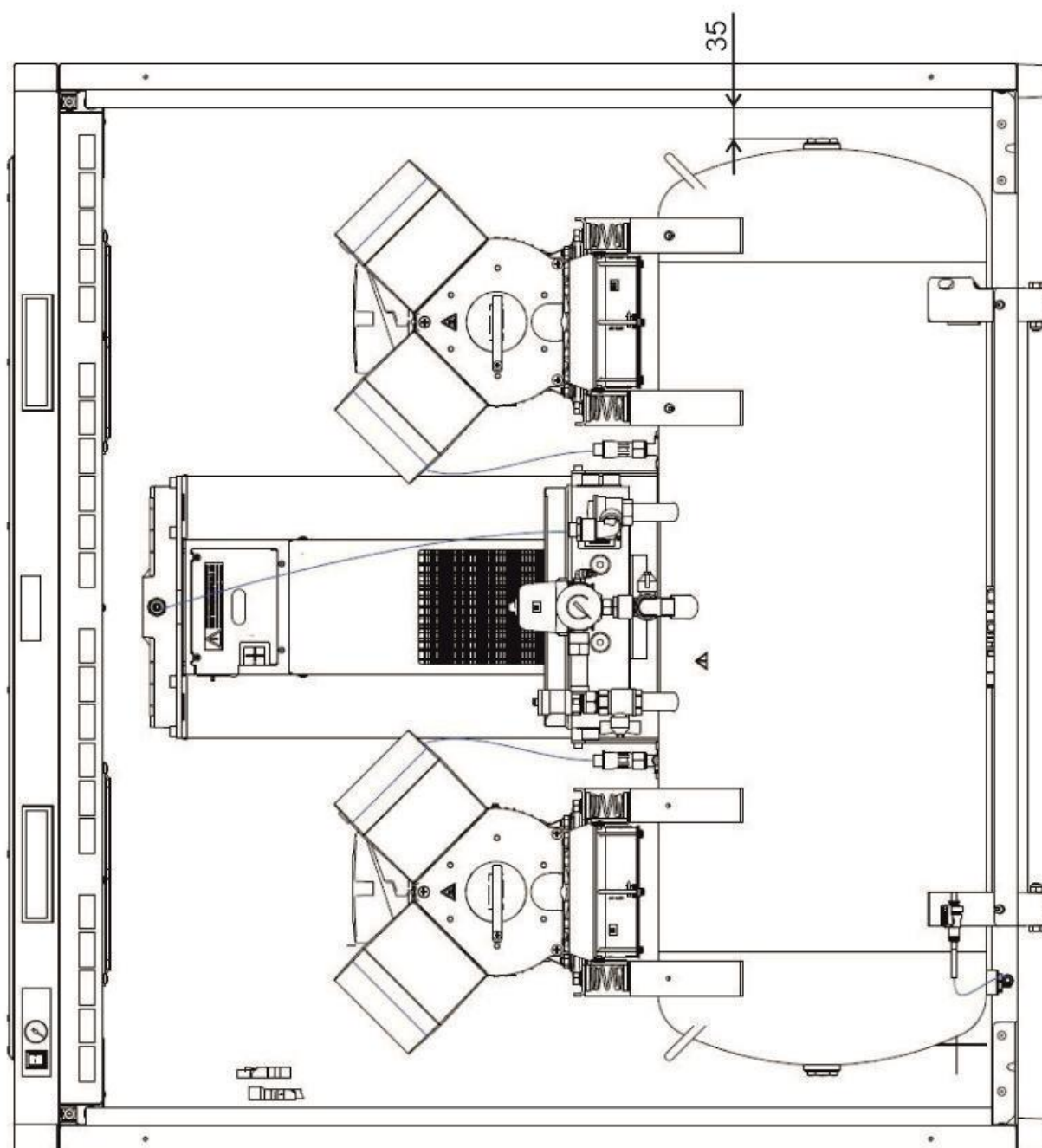
Obr. 19: Umístění kompresoru pro připojení

- Pneumatické připojení proveďte podle kap. 12.1.
- Připojte nádobu na sběr kondenzátu podle kap. 12.3.
- Tlakovou hadici, hadičku pro odvod kondenzátu a síťový kabel vyvedte přes otvor v zadní stěně skříňky.
- Umístěte kompresor do takové vzdálenosti od skříňky, aby bylo možné připojit konektor winsta pro elektrické propojení kompresoru se skříňkou (Obr. 13, Obr. 20).



Obr. 20: Umístění kompresoru s ohledem na elektrické zapojení

- Kompresor elektricky zapojte podle kap. 13.
- Kompresor se sušičem zasuňte do skříňky tak, aby ventilátor sušiče byl nasunutý do otvoru větracího tunelu ve skříňce. Polohu kompresoru ve skříňce zkontrolujte podle (Obr. 21).



Obr. 21: Umístění kompresoru do skříňky

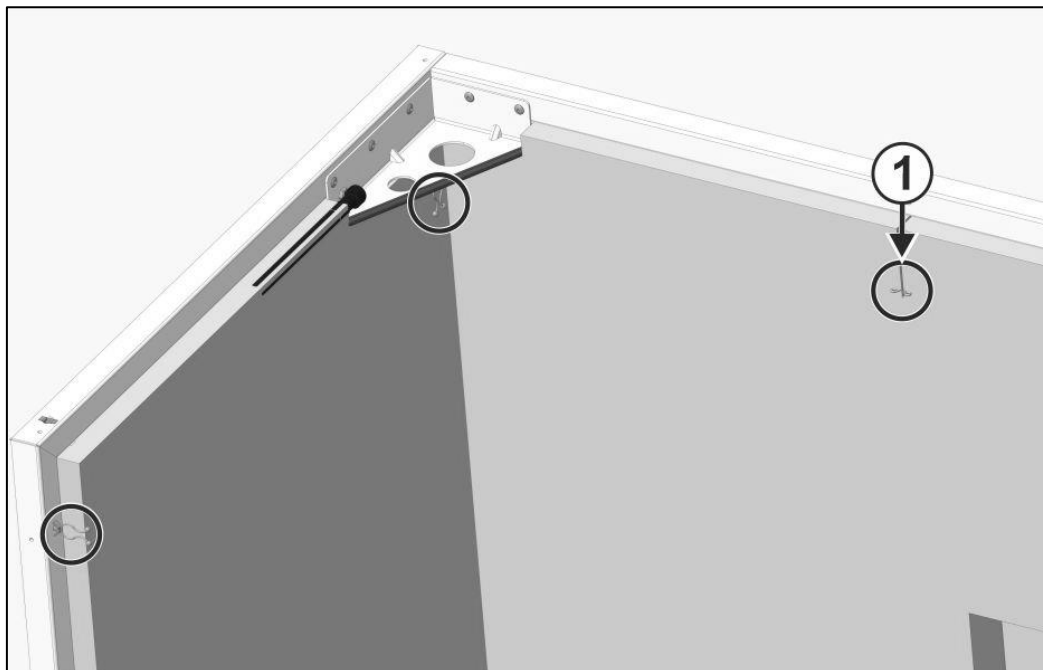
- Připojte manometr skříňky ke kompresoru podle kap. 12.2.



Kompresor se sušičem vzduchu se nesmí zasunout do skříňky úplně, jinak hrozí trvalé poškození sušiče.

Montáž čelního panelu skříňky

- Přiložte dvířka ke skříňce, připojte konektor displeje (Obr. 17) a kabel k displeji zafixujte v příchytce (1) v předních dvířkách (Obr. 22).



Obr. 22: Přichytky skříňky DK50 2x4VR/110 S/M

- Připojte uzemňovací vodič ke dvířkám, nasadte dvířka na skříňku a upevněte je 4 šrouby.

15. PRVNÍ UVEDENÍ DO PROVOZU

- Zkontrolujte, zda byly odstraněny všechny fixační prvky použité při přepravě.
- Zkontrolujte správné připojení vedení stlačeného vzduchu. (viz kap. 12)
- Zkontrolujte řádné připojení k elektrické síti. (viz kap. 13)
- Zkontrolujte polohu jisticího vypínače, musí se nacházet v poloze „I“. Pokud se nachází v poloze „0“, přepněte vypínač (2) do polohy „I“ (Obr. 23).
- U kompresoru ve skříňce přepněte vypínač (4) na přední části skříňky zařízení do polohy „I“ – zelená kontrolka signalizuje stav zařízení v provozu (Obr. 23).
- Zkontrolujte zapojení konektoru skříňky ke kompresoru (Obr. 13).
- Zkontrolujte zapojení konektoru k displeji v předních dveřích skříňky.
- Zkontrolujte připojení hadičky manometru skříňky k pneumatickému bloku kompresoru (Obr. 9).
- Zkontrolujte správné připojení hadičky z automatického odvodu kondenzátu do sběrné nádoby (Obr. 10).
- Zkontrolujte nastavení jazyka na displeji sušiče (viz kap. 20.2).
- Zkontrolujte nastavení času a data na displeji sušiče (viz kap. 20.3).
- Zkontrolujte nastavení režimu sušení (viz kap. 20.4).

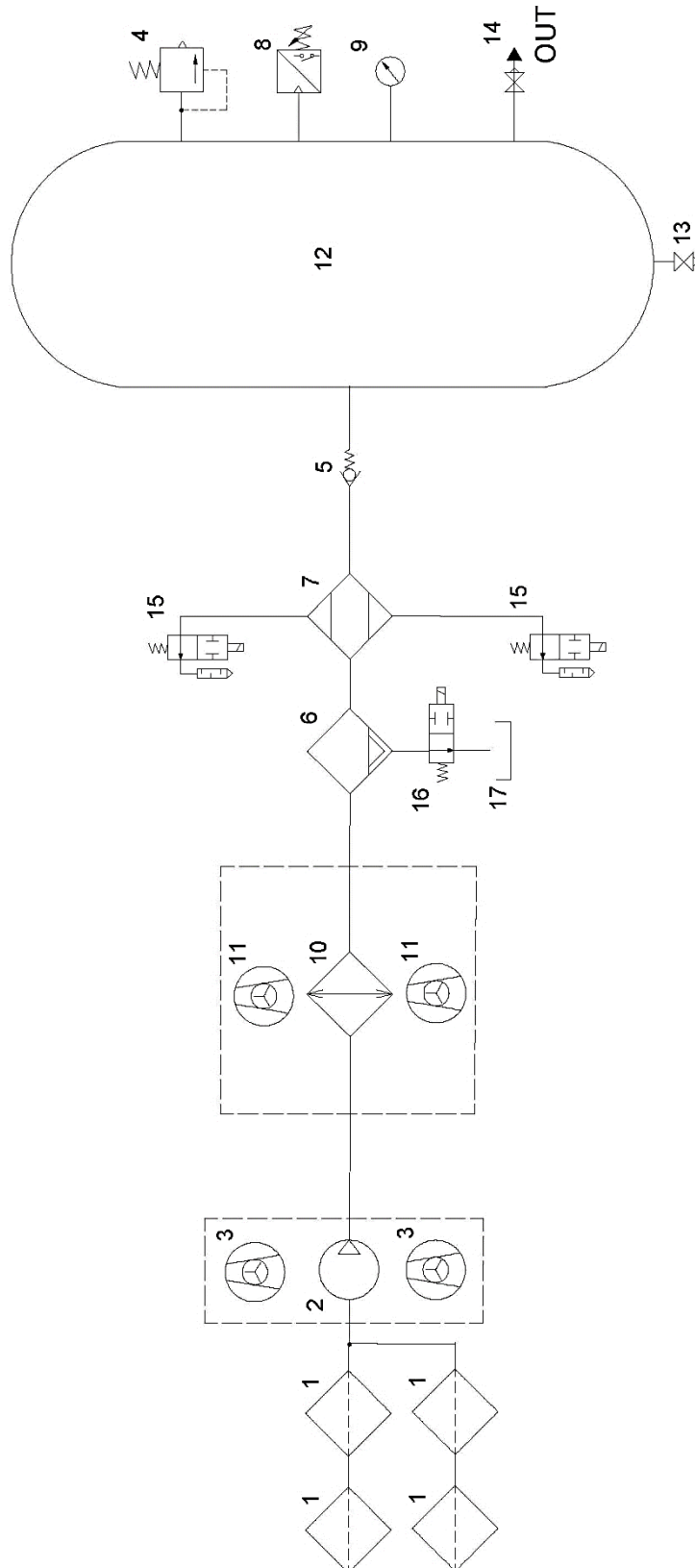


Kompresor neobsahuje záložní zdroj energie.

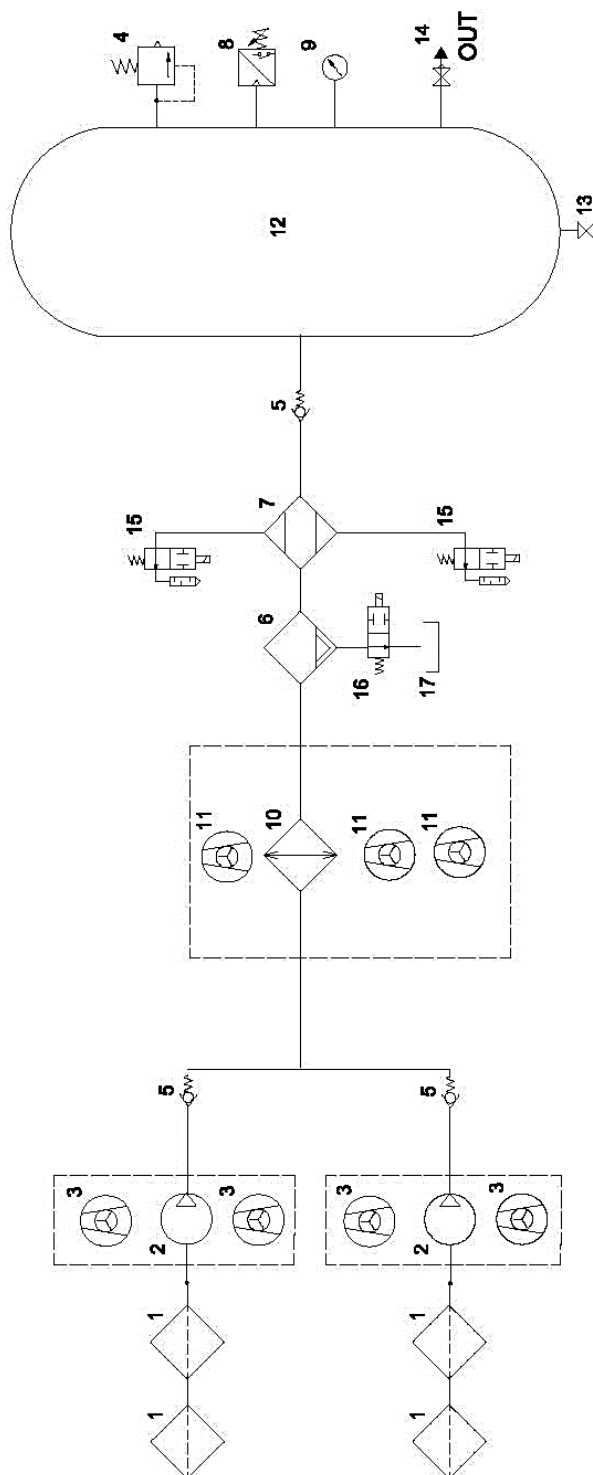
16. PNEUMATICKÉ A ELEKTRICKÉ SCHÉMATA

16.1. Pneumatické schéma

DK50 4V/50/M



DK50 2x4VR/110/M



Popis k pneumatickým schémátům:

- | | |
|------------------------|---|
| 1 Vstupní filtr | 9 Tlakoměr |
| 2 Kompresor | 10 Chladič |
| 3 Ventilátor | 11 Ventilátor chladiče |
| 4 Pojistný ventil | 12 Vzdušník |
| 5 Zpětný ventil | 13 Vypouštěcí ventil kondenzátu |
| 6 Odlučovač kondenzátu | 14 Výstupní ventil |
| 7 Sušič | 15 Solenoidní ventil sušiče – regenerační |
| 8 Tlakový spínač | 16 Solenoidní ventil odvodu kondenzátu |
| | 17 Nádoza na sběr kondenzátu |

16.2. Schéma zapojení

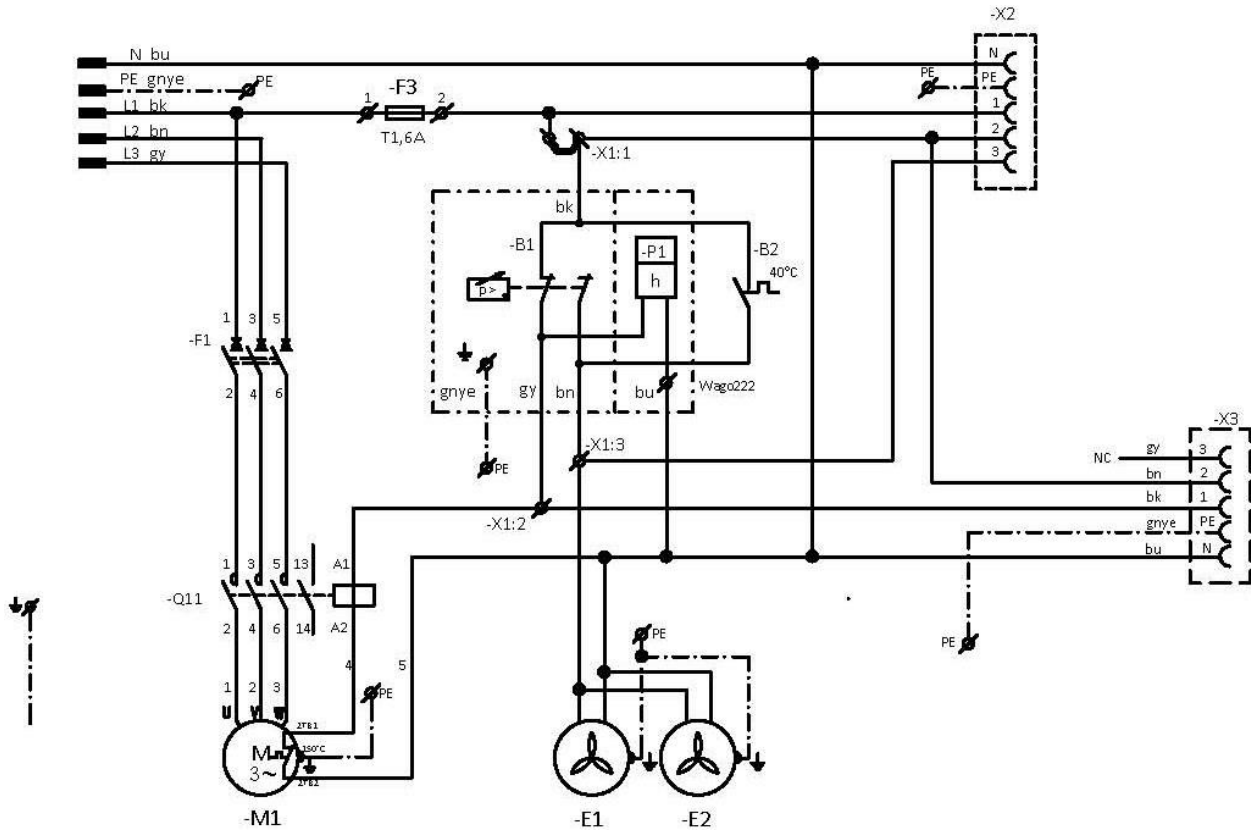
DK50 4VR/50/M

6 - 8 bar

3/N/PE-400V, 50Hz

ELEKTRICKÁ SÍŤ TN-S [TN-C-S]

ELEKTRICKÝ PŘEDMĚT TŘ. 1



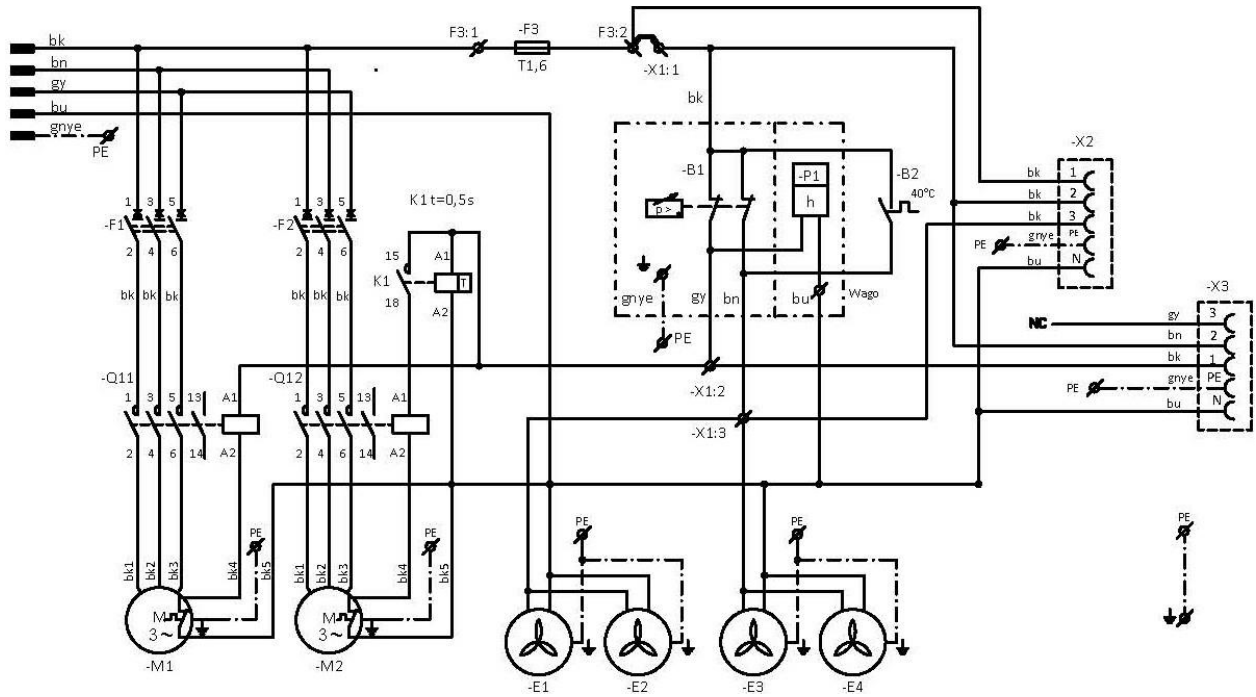
DK50 2x4VR/110/M

6 - 8 bar, 8 - 10 bar

3/N/PE~400V, 50Hz

ELEKTRICKÁ SÍŤ TN-S [TN-C-S]

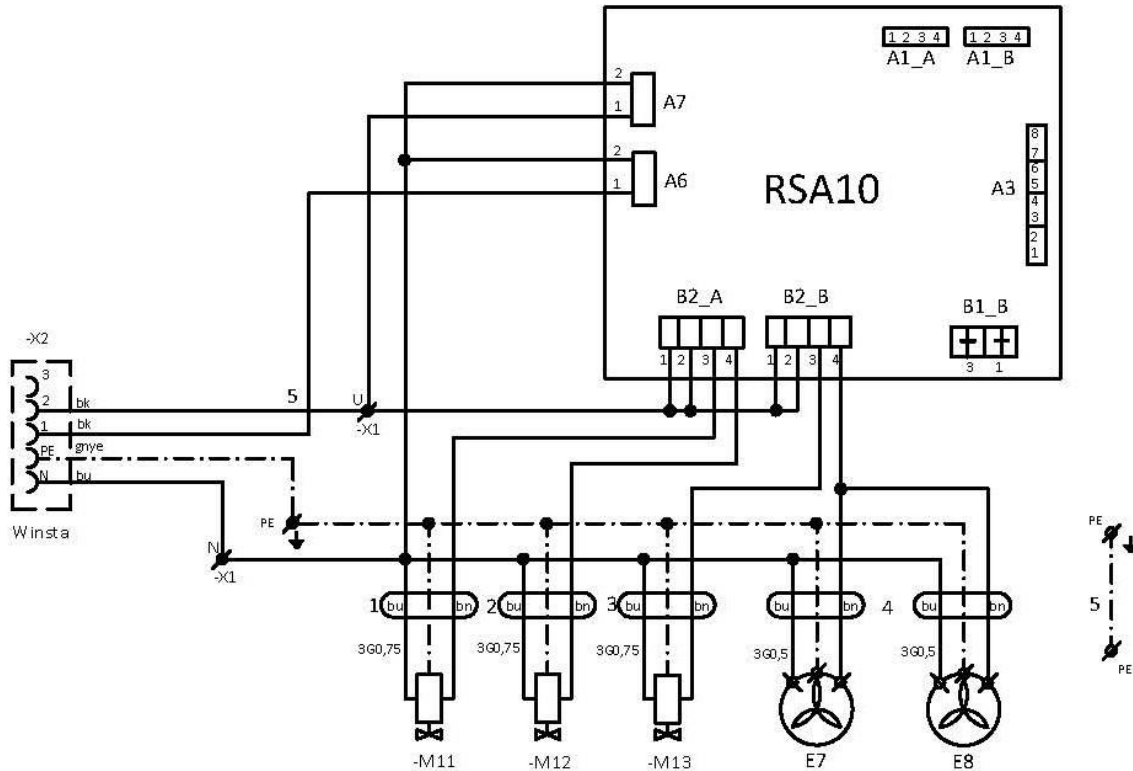
ELEKTRICKÝ PŘEDMĚT TŘ. 1



AD 280EK

1/N/PE ~ 230V,50Hz, 230V,60Hz

ELEKTRICKÝ PŘEDMĚT TŘ. 1

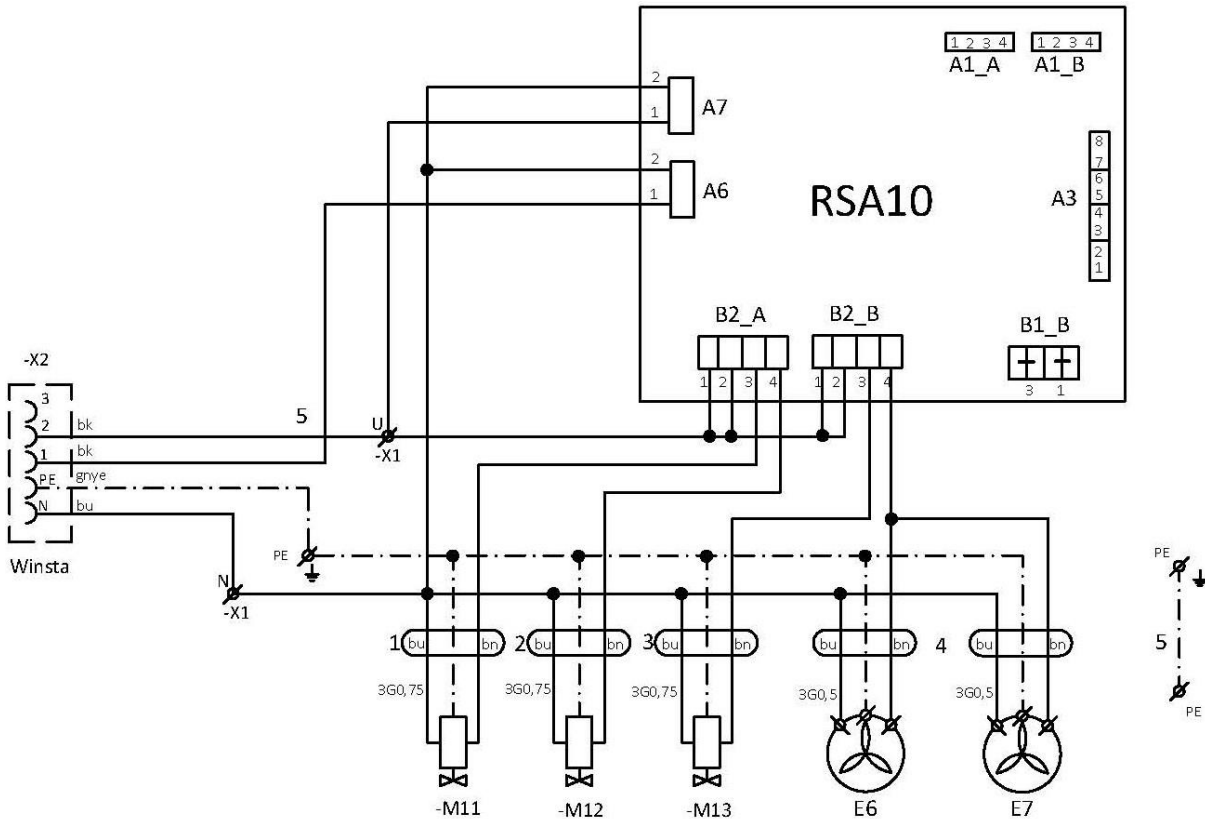


AD500

1/N/PE~230V, 50/60Hz

~120V, 60Hz

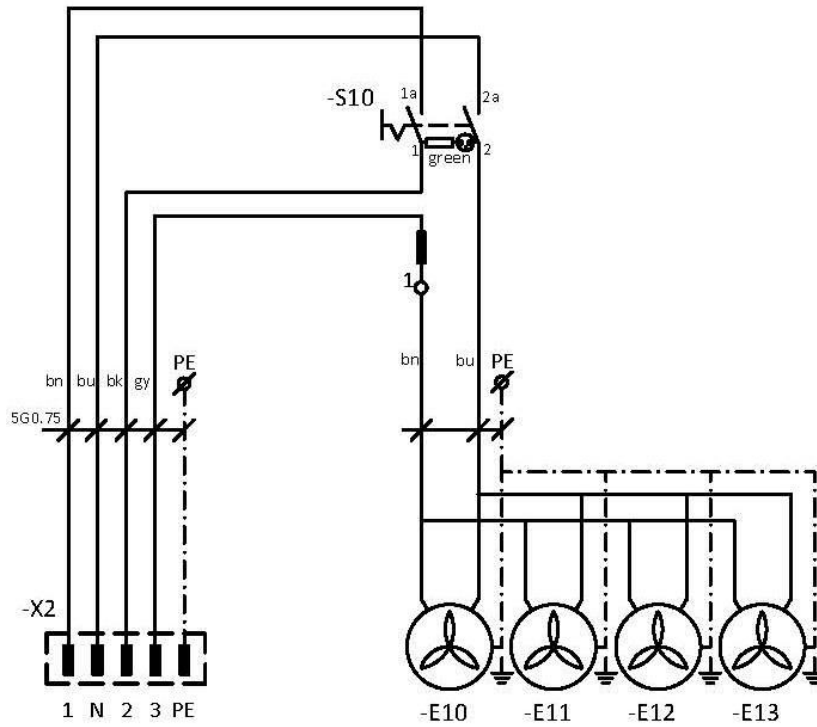
ELEKTRICKÝ PŘEDMĚT TŘ. 1



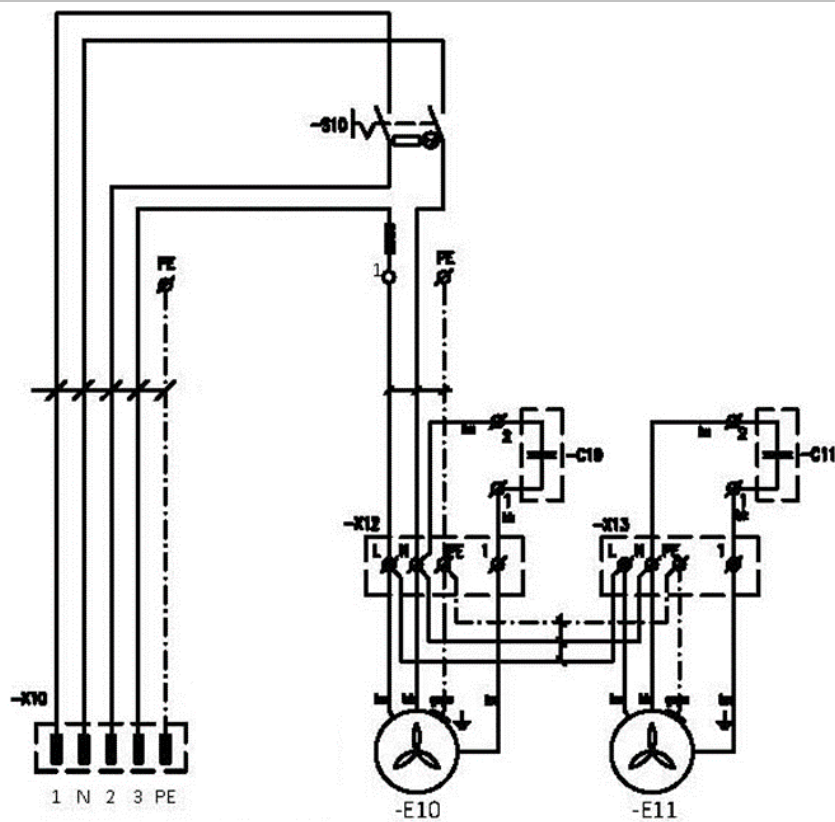
Skříňka kompresoru

1/N/PE ~ 230V 50/60Hz

ELEKTRICKÝ PŘEDMĚT TŘ. 1



DK50 4VR/50 S/M



DK50 2x4VR/110 S/M

Popis k elektrickým schémátům:

M1, M2	Motor kompresoru	X2	Zásuvka
E1 – E4	Ventilátor kompresoru	X3	Zásuvka kontrolky servisu
F3	Pojistka	S10	Vypínač
F1, F2	Jistič	X10,X11	Konektor
B1	Tlakový spínač	E10 - E13	Ventilátor skříňky
B2	Teplotní spínač	E6-E8	Ventilátor sušiče
Q11,12	Stykač	M11, M12	Solenoidní ventil - regenerační
K1	Časové relé	M4	Solenoidní ventil - odlehčovací
P1	Počítadlo hodin	RSA 10	Řídicí jednotka
X1	Svorkovnice		

OBSLUHA

ZAŘÍZENÍ SMÍ OBSLUHOVAT JEN VYŠKOLENÝ PERSONÁL!



Nebezpečí úrazu elektrickým proudem.

V případě nebezpečí odpojte kompresor od elektrické sítě (vytáhněte síťovou zástrčku).



Nebezpečí popálení nebo požáru.

Při činnosti kompresoru se části agregátu a také pneumatické komponenty zařazené mezi agregátem a sušičem vzduchu, jako jsou propojovací hadice, mohou zahřát na teploty nebezpečné pro dotyk osob nebo materiálu.



Výstraha – kompresor je ovládán automaticky.

Automatické spuštění. Když tlak v tlakové nádrži poklesne na zapínací tlak, kompresor se automaticky zapne. Kompresor se automaticky vypne, když tlak ve vzdušníku dosáhne hodnoty vypínacího tlaku.



Nebezpečí poškození pneumatických částí.

Je zakázáno měnit pracovní tlaky tlakového spínače nastaveného výrobcem. Činnost kompresoru při nižším pracovním tlaku, než je zapínací tlak, svědčí o vysoké spotřebě vzduchu (viz kap. Vyhledávání poruch a jejich odstranění).



Požadovaného stupně sušení je možné dosáhnout pouze při dodržení předepsaných provozních podmínek.

Při provozu sušiče při tlaku nižším než minimální pracovní tlak se účinnosti sušení sníží a zhorší se dosažený rosný bod.



Při delším provozu kompresoru se zvýší teplota v jeho okolí nad 40 °C a automaticky se zapne chladicí ventilátor. Po ochlazení prostoru pod přibližně 32°C se ventilátor opět vypne.

17. ZAPNUTÍ KOMPRESORU

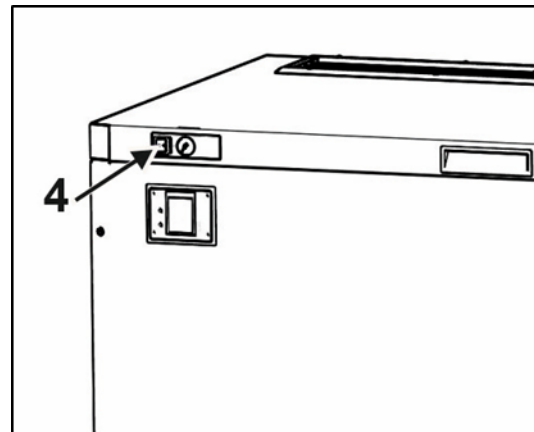
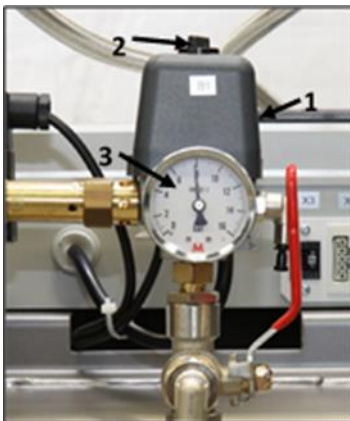
Kompresor (bez skříňky) zapněte na tlakovém spínači (1) otočením přepínače (2) do polohy „I“. Kompresor začne pracovat, naplní vzdušník na vypínací tlak a tlakový spínač vypne kompresor.

Kompresor ve skříňce zapněte vypínačem (4) na přední straně skříňky. Kompresor začne pracovat, naplní vzdušník na vypínací tlak a tlakový spínač vypne kompresor.

Následně kompresor pracuje v automatickém režimu, kompresor se zapíná a vypíná podle spotřeby stlačeného vzduchu.

Hodnoty zapínacího a vypínacího tlaku zkontrolujte na tlakoměru (3). Hodnoty mohou být v toleranci $\pm 10\%$. Tlak vzduchu ve vzdušniku nesmí překročit přípustný provozní tlak.

Obr. 23: Zapnutí kompresoru



Nebezpečí poškození pneumatických částí.

U kompresoru není dovoleno svévolně měnit tlakové limity tlakového spínače. Tlakový spínač (1) byl nastaven výrobcem a další nastavení zapínacího a vypínacího tlaku může provést pouze kvalifikovaný odborník vyškolený výrobcem.

18. VYPNUTÍ KOMPRESORU

- Vypnutí kompresoru kvůli servisu nebo z jiné příčiny se provádí na tlakovém spínači (1) otočením přepínače (2) do polohy „0“ (Obr. 23) a **vytáhnutím síťové zástrčky ze zásuvky**. Kompresor se tím odpojí od napájecí sítě.
- Snižte tlak ve vzdušniku na nulu otevřením vypouštěcího ventilu.

AD SUŠIČ

19. PRINCIP FUNKCE

Činnost sušiče je řízena signálem z tlakového spínače kompresoru.

Když je kompresor v chodu, stlačený vzduch vstupuje do chladiče, kde se ochladí, a část zkondenzované vlhkosti se oddělí v integrovaném cyklickém odlučovači. Ve spodní části odlučovače se nachází elektromagnetický ventil V3, který v pravidelných intervalech vypouští kondenzát z odlučovače.

Následně vzduch přechází do komory logického ventilu OR1, v níž se snímá tlak. Pokud tlak v komoře ventilu nedosáhne tlaku $P1 = 3$ bar, regenerační elektromagnetické ventily V1, V2 (typ NC) zůstanou zavřené a regenerace neproběhne. V případě, že tlak v komoře logického ventilu dosáhne min. 3 barů, spustí se přepínání komor podle logiky popsané v bodě 19.1.

Při vypnutí signálu z tlakového spínače kompresoru se na krátkou dobu otevřou regenerační ventily V1, V2 k odlehčení kompresorového agregátu a odtlakování komor sušiče.

Odtlakování sušiče, jakož i regenerace jsou realizovány přes hadičku společnou s výpustí z odlučovače kondenzátu. Z tohoto důvodu nemůže být odvod kondenzátu sveden přímo do odpadu.

19.1. Regenerace sušiče

Po dosažení pracovního tlaku $P1 = 3$ bar se spustí regenerace sušiče. Při regeneraci se ventily V1 a V2 cyklicky přepínají, přičemž před každým přepnutím se zařadí krátká fáze (dT) vyrovnávání tlaků v komorách, během níž jsou oba ventily zavřené.

V komoře 1 je pracovní tlak a komora se nachází v sušicí fázi, v komoře 2 je atmosférický tlak a komora se nachází v regenerační fázi. Komora je regenerovaná vzduchem procházejícím tryskou sušiče.

19.2. Režim „Energy saving“ (pouze pro verze se snímačem rosného bodu)

Sušič vybavený snímačem rosného bodu umožňuje řízení množství oplachového vzduchu tak, aby byl udržován požadovaný rosný bod.

Po dosažení požadovaného rosného bodu se v zájmu optimalizace množství oplachového vzduchu pozastaví regenerace. V režimu se zastavenou regenerací jsou oba ventily V1, V2 zavřené (a je tedy zastaven oplach komor suchým vzduchem).

Pro rovnoměrné zatížení komor se komory dále střídají v původním intervalu.

Po nárůstu rosného bodu se „Energy saving“ režim ukončí a sušič pracuje dále v režimu se zapnutou regenerací.

Trvání režimu s vypnutou regenerací

„Energy saving“ režim s vypnutou regenerací je časově omezený. Po uplynutí definovaného intervalu (4 přepnutí komor) se zařadí 1 cyklus se standardní regenerací obou komor.

19.3. Alarmový systém

Všechny alarmové stavy přístroje jsou stavy technického alarmu nízké priority podle EN 60601-1-8. Každý alarmový stav je indikován příslušným vizuálním signálem (viz kap. 22) – vizuální signál bliká. V případě poruchy světe opravu oprávněnému servisu.

Alarmové stavy signalizují možnou poruchu přístroje. Alarmové signály proto není možné deaktivovat.

Všechny alarmové signály jsou nesetrválé – po zániku příčiny alarmového stavu jsou alarmové signály ukončeny.

Pozice operátora. Nevyžaduje se žádná konkrétní pozice operátora. Provozovatel by však měl zůstat v dosahu vizuálního výstražného signálu, který může záviset na skutečných provozních podmínkách.

Nízký tlak. Signál je aktivní v případě, že tlakový snímač sušiče zaznamená nízký tlak v sušiči pod definovaným limitem 3 bar. Příčinou aktivování signálu během provozu může být únik vzduchu z kompresoru/sušiče, porucha ovládacích elektromagnetických ventilů na sušiči, chyba softwaru.

Vysoký tlak. Signál je aktivní v případě, že tlakový snímač sušiče zaznamená nárůst tlaku nad horní hranici tlaku. Agregát se vypne a zůstane vypnutý, dokud tlak neklesne. V případě automatického nevypnutí agregátu je nadbytečný tlak uvolněn pojistným ventilem na vzdušníku kompresoru.

Vysoký rosný bod. Signál je aktivní v případě, že snímač rosného bodu zaznamená vysoký rosný bod.

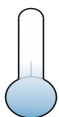
Uplynulý servisní interval. Signál je aktivní do zrealizování servisu a zresetování, resp. zadání nového servisního intervalu.

20. UŽIVATELSKÉ ROZHRANÍ / NASTAVENÍ

20.1. Význam symbolů zobrazovaných na displeji



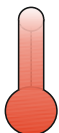
Symbol návodu k použití, resp. viz návod k použití.



Symbol vyjadřující teplotu okolí (od 25 °C) související se zvoleným režimem. Program v daném režimu upraví předplnění komor.



Symbol vyjadřující teplotu okolí (od 25 °C do 30 °C) související se zvoleným režimem. Program v daném režimu upraví předplnění komor.



Symbol vyjadřující teplotu okolí (nad 30 °C) související se zvoleným režimem. Program v daném režimu upraví předplnění komor.



Návrat do základního menu na 4 základní obrazovky.



Krok zpět.



Symbol servisního intervalu.



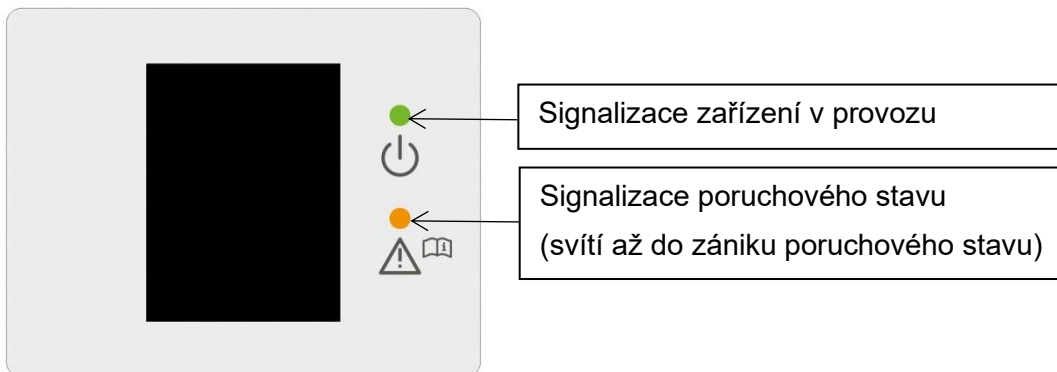
Symbol aktuálního stavu komory sušiče – regenerace.



Symbol aktuálního stavu komory sušiče – sušení.

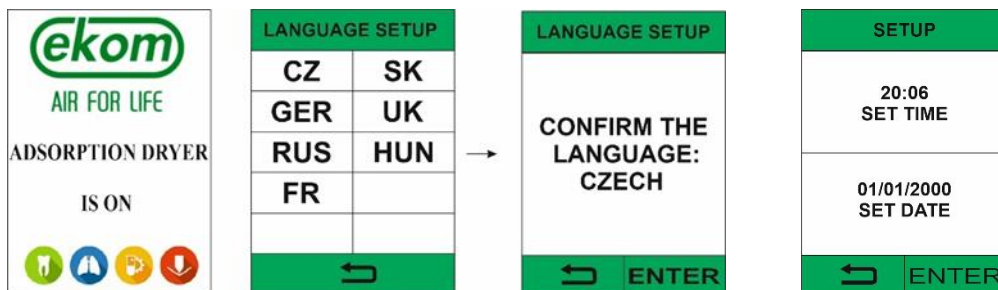


Symbol předplnění komor – vyrovnávání tlaku v komorách.



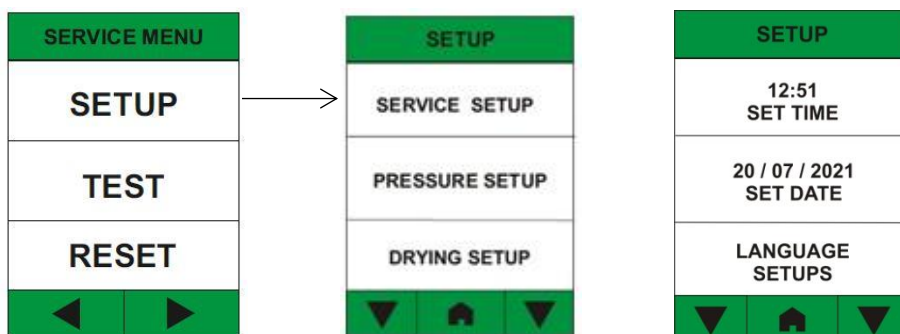
20.2. První nastavení uživatelského rozhraní

Při prvním spuštění programu se zobrazí možnost nastavení jazyka, času a data. Během instalace servisní technik zvolí jazyk, čas a datum podle zeměpisné polohy sušiče. Danou volbu si program uloží a zapamatuje. Při opakovaném spuštění se tato volba nevyvolává. Potvrzením této možnosti se také spustí odpočítávání servisních hodin.



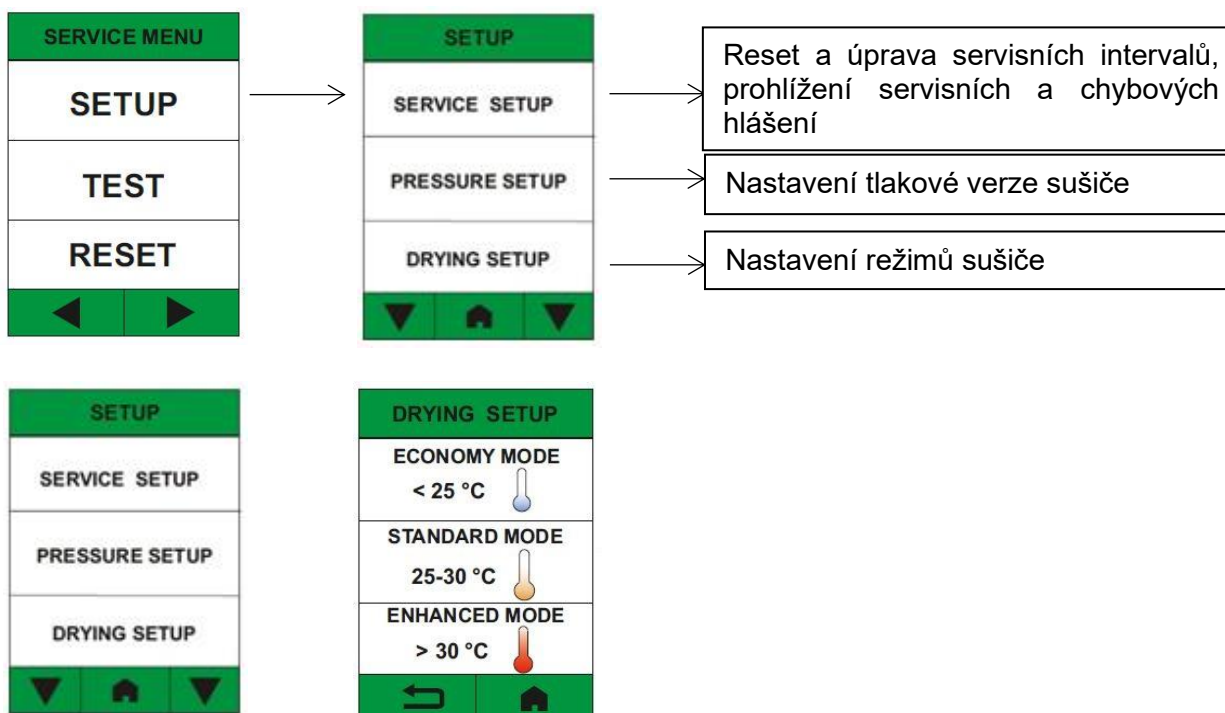
20.3. Nastavení času a data při prvním spuštění

Při prvním spuštění je doporučeno nastavit datum a čas. Nastavení se provádí v servisním menu v části SERVICE SETUP. Přístup do servisního menu je podmíněn kódem (1992). V části SETUP se přes šipku dolů dostanete k nastavení času a datu. Stejným způsobem lze přes LANGUAGE SETUP opětovně nastavit jazyk uživatelského rozhraní.



20.4. Nastavení režimu sušení při prvním spuštění

Při prvním spuštění je doporučeno nastavit režim sušení vzduchu. Nastavení se provádí v servisním menu v části SERVICE SETUP. Přístup do servisního menu je podmíněn kódem.



Režim sušení se nastavuje podle odhadovaného teplotního rozsahu, ve kterém bude zařízení pracovat, a podle verze kompresoru (bez skříňky, se skříňkou).

- kompresor bez skříňky $t_o < 25 \text{ °C}$ – nastavte režim ECONOMY
- kompresor bez skříňky $t_o = 25 \text{ °C} - 30 \text{ °C}$ – nastavte režim STANDARD
- kompresor bez skříňky $t_o > 30 \text{ °C}$ – nastavte režim ENHANCED
- kompresor ve skříňce – nastavte režim ENHANCED

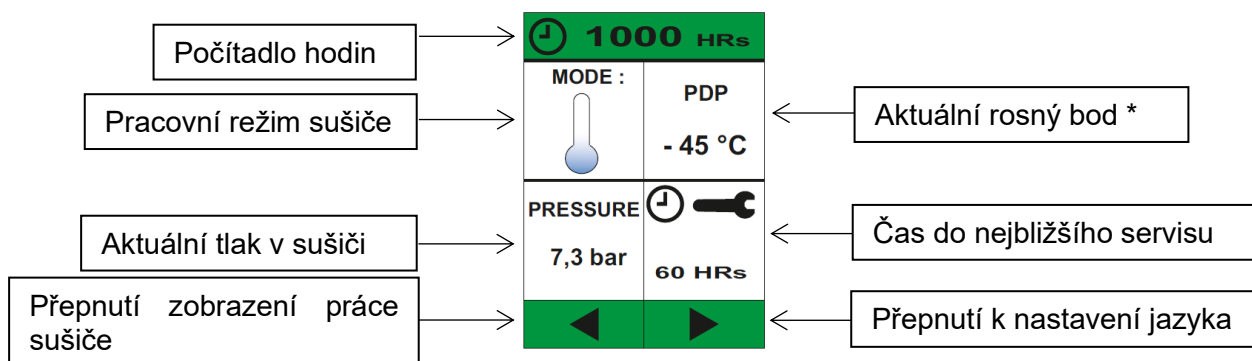
t_o – teplota okolí

21. ZÁKLADNÍ OBRAZOVKY

Po nastavení jazyka uživatelského rozhraní a režimu sušení se zobrazí domovská obrazovka. Z domovské obrazovky je možnost přepínat mezi 4 základními obrazovkami.

K přepínání mezi jednotlivými obrazovkami slouží šipky ve spodní části obrazovky.

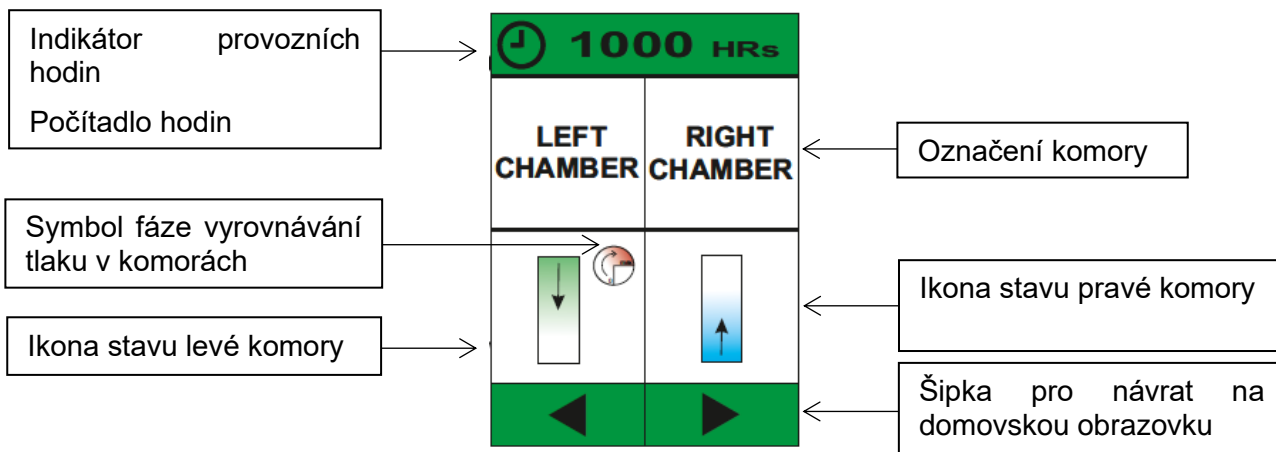
21.1. Domovská obrazovka



(*daná informace se zobrazí pouze v případě vybavení kompresoru snímačem rosného bodu)

- Na domovské obrazovce sušiče se nacházejí zobrazení základních informací a měřených parametrů. V horní části obrazovky se nachází indikátor provozních hodin sušiče. Domovská obrazovka je následně rozdělena do 4 základních polí, kde se zobrazují následující informace:
 - Pracovní režim sušiče (viz kap. 20.1)
 - Aktuální hodnota tlaku v sušiči (min. pracovní tlak pro spuštění regenerace sušiče je 3 bar)
 - Aktuální hodnota tlakového rosného bodu (pouze pro kompresory vybavené snímačem rosného bodu)
 - Zbývající čas do nejbližšího servisního intervalu (viz kap. 22.1, 22.2 – servisní intervaly).

21.2. Obrazovka práce sušiče



V horní části obrazovky se nachází indikátor provozních hodin sušiče. Obrazovka práce sušiče je dále rozdělena do 4 polí, která popisují pracovní cykly komor sušiče prostřednictvím grafického znázornění aktuálních stavů jednotlivých komor.



Symbol aktuálního stavu komory sušiče – regenerace.

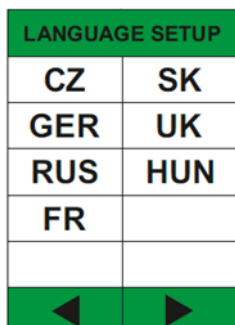


Symbol aktuálního stavu komory sušiče – sušení.



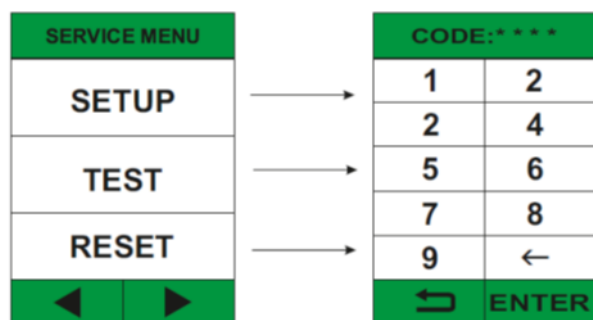
Symbol předplnění komor – vyrovnávání tlaku v komorách.

21.3. Obrazovka nastavení jazyka



Mezi základními obrazovkami se nachází obrazovka s možností dodatečné změny nastavení jazyka.

21.4. Obrazovka servisního menu



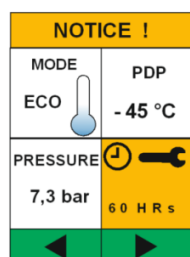
Servisní menu je určeno výhradně pro servisní pracovníky. Přístup do jednotlivých položek servisního menu je chráněn heslem 1992.

22. SIGNALIZACE SERVISU A PORUCHOVÝCH STAVŮ

Řídicí jednotka adsorpčního sušiče je schopná měřit vybrané parametry (tlak a tlakový rosný bod ve verzi se snímačem rosného bodu) a vyhodnocovat základní provozní stavy sušiče.

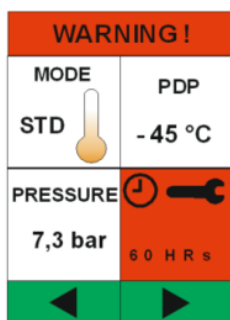
Na základě vyhodnocení měřených parametrů a informací o servisu zobrazuje řídicí jednotka informace o poruchových stavech prostřednictvím následujících notifikací a upozornění.

22.1. Notifikace - blížící se servisní interval



- 100 pracovních hodin před nejbližším servisním intervalem **se rozsvítí notifikace žlutou barvou („Notice!“)**. **Současně se oranžově rozsvítí pole servisu.**
- **Průběžně se zobrazuje zbývající počet hodin do nejbližšího servisu.**
- **Upozornění se zobrazuje až do provedení servisu a vynulování servisního intervalu.**

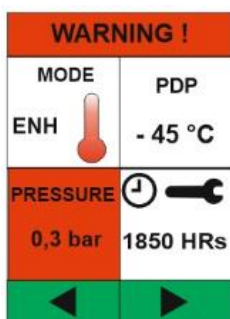
22.2. Upozornění - Překročení servisního intervalu



- Po uplynutí servisního intervalu se rozsvítí upozornění červenou barvou („Warning!“). Současně se červeně rozsvítí pole servisu.
- Upozornění se zobrazuje až do vykonání servisu a vynulování servisního intervalu.
- Průběžně se zobrazuje počet hodin do nejbližšího servisu.
- Záznam o upozornění se uloží do historie upozornění („Warning log“).
- Sušič nadále pracuje normálně

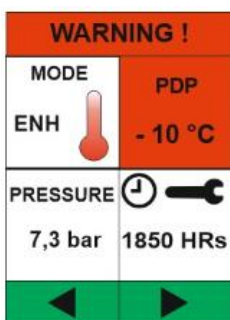
22.3. Poruchové stavy

Nízký/vysoký tlak



- Při detekování nízkého (< 3 bar) anebo vysokého tlaku (> 8,5 bar, resp. > 10,5 bar v závislosti na tlakové verzi) se rozsvítí upozornění červenou barvou („Warning!“). Současně se červeně rozsvítí pole indikující hodnotu aktuálního tlaku.
- Upozornění se zobrazuje během trvání poruchového stavu.
- Záznam o upozornění se uloží do historie upozornění („Warning log“).
- Sušič nepracuje normálně, neprobíhá regenerace, je třeba odstavit kompresor.

Vysoký rosný bod



- Upozornění je dostupné pouze pro sušiče vybavené snímačem rosného bodu.
- Při detekování vysokého rosného bodu (> -20 °C, resp. > -40 °C v závislosti na verzi sušiče) se rozsvítí upozornění červenou barvou („Warning!“). Současně se červeně rozsvítí pole indikující hodnotu aktuálního tlakového rosného bodu.
- Upozornění se zobrazuje během trvání poruchového stavu.
- Záznam o upozornění se uloží do historie upozornění („Warning log“).
- Sušič nepracuje správně nebo je použit mimo doporučených podmínek použití, je třeba odstavit kompresor.



Po prvním spuštění může trvat až 50 hodin, než kompresor dosáhne požadovaného rosného bodu. Během této doby se upozornění na vysoký rosný bod nezobrazuje. Pokud sušič nedosáhne požadovaného rosného bodu, kontaktujte servisního technika.

22.4. Obrazovka „Call Service“



- V případě výskytu notifikace anebo upozornění obrazovka „Call Service“ bliká střídavě s domovskou obrazovkou.

ÚDRŽBA VÝROBKU**23. ÚDRŽBA VÝROBKU**

Provozovatel je povinen zajistit provádění opakovaných zkoušek zařízení minimálně 1× za 24 měsíců (EN 62353) nebo v intervalech, které určují příslušné národní právní předpisy. O výsledcích zkoušek musí být proveden záznam (např. podle EN 62353, příloha G), a to s uvedením metod měření.

Zařízení je zkonstruováno a vyrobeno tak, aby jeho údržba byla minimální. K zajištění řádné a spolehlivé činnosti kompresoru je však zapotřebí provádět úkony dle následujícího popisu.



Nebezpečí neodborného zásahu.

Oprávněné práce, které přesahují rámec běžné údržby (viz kap. 23.1 Intervaly údržby), smí provádět pouze kvalifikovaný odborník (organizace pověřená výrobcem) nebo zákaznický servis výrobce.

Práce v rámci běžné údržby (viz kap. 23.1 Intervaly údržby) smí provádět pouze zaškolený pracovník obsluhy.

Používat se smí pouze náhradní díly a příslušenství předepsané výrobcem.



Nebezpečí úrazu a poškození zařízení.

Před zahájením prací týkajících se údržby kompresoru je nutné:

- zkontrolovat, zda je možné kompresor odpojit od spotřebiče, aby tím nevzniklo riziko poškození zdraví nebo ohrožení života osoby používající daný spotřebič, případně jiné materiální škody;
- vypnout kompresor;
- odpojit ho od elektrické sítě (vytáhnout síťovou zástrčku);
- vypustit stlačený vzduch ze vzdušníku.



Nebezpečí úrazu při vypouštění stlačeného vzduchu.

Při vypouštění stlačeného vzduchu z pneumatického rozvodu (vzdušníku) je třeba chránit si zrak – použít ochranné brýle.



Nebezpečí popálení.

Během činnosti kompresoru nebo krátce po jejím ukončení mají části agregátu pneumatický rozvod kompresoru, části sušiče a propojovací hadice mezi kompresorem a sušičem vysokou teplotu – uvedených částí se nedotýkejte.



Uzemňovací vodič odpojený během servisního zásahu je nutné po ukončení prací znovu připojit na původní místo.

- V případě servisu nebo údržby je možné vysunout kompresor ze skříňky vytáhnutím před skříňku (pokud to dovolí délka šňůry mezi kompresorem a skříňkou). (Viz kap. 23). Po jeho vytáhnutí je možné provést potřebnou údržbu nebo servis.
- V případě odpojení kabelu mezi kompresorem a skříňkou (vytáhnutím vidlice konektoru, kap. 13.2) není kompresor funkční. Aby byl kompresor funkční, musíte postupovat podle kap. 13.2 nebo 23.8 nebo 23.9.

23.1. Intervaly údržby

Časový interval	Provede				obsluha					kvalifikovaný odborník							
	Souprava náhradních dílů	Kap.	24 000 h	20 000 h	16 000 h	12 000 h	10 000 h	8 000 h	6 000 h	4 000 h	2000 h	1x za 6 let	1x za 4 roky	1x za 2 roky	1x za rok	1x týdně	1x denně
Kontrola činnosti výrobku	-	23.2															x
Vypustíte kondenzát ze vzdušníku – Při vysoké RH - Vylijte zachycený kondenzát z nádoby na kondenzát	-	23.5															x
Vypustíte kondenzát ze vzdušníku - Při běžné RH	-	23.5														x	
Kontrola funkčnosti výrobku	-	9														x	
Kontrola těsnosti spojů a kontrolní prohlídka zařízení	-	23.3													x		
Kontrola elektrických spojů	-	23.4													x		
Kontrola chladiče a ventilátoru	-	23.11													x		
Kontrola pojistného ventilu	-	23.6													x		
Výměna vstupního filtru a předfiltru agregátu 4VR ^{a)}	025200139-000 025200150-000	23.7									x				x		

a) platí údaj v hodinách; pokud není dostupný, pak platí údaj o letech

b) po poruše sušiče je nutné kontrolovat funkčnost přepouštěcího ventilu na sušiči

c) platí údaj, který nastane dříve 2 let / 10000 hod.

d) platí údaj, který nastane dříve 6 let / 24000 hod.

Časový interval	Provede					
	kvalifikovaný odborník					
	Souprava náhradních dílů	-	603022493-000	603022485-000	069000317-000	025300117-000
	Kap.	23.12	viz servisní manuál			23
	24 000 h					x
	20 000 h		x	x		
	16 000 h				x	
	12000 h					
	10000 h		x	x		
	8000 h					
	6000 h					
	4000 h					
	2000 h					
	1x za 6 let					x
	1x za 4 roky				x	
	1x za 2 roky	x	x	x		x
	1x za rok					
	1x týdně					
	1x denně					
	Kalibrace snímače rosného bodu					
	Výměna kazet s adsorbentem Sušič AD 280 ^{c)}					
	Výměna kazet s adsorbentem Sušič AD 500 ^{c)}					
	Výměna kuličky logického ventilu AD sušiče					
	Výměna elektromagnetického ventilu sušiče ^{d)}					
	Provedení „Opakované zkoušky“ podle ČSN EN 62353					

- a) platí údaj v hodinách; pokud není dostupný, pak platí údaj o letech
- b) po poruše sušiče je nutné kontrolovat funkčnost přepouštěcího ventilu na sušiči
- c) platí údaj, který nastane dříve 2 let / 10000 hod.
- d) platí údaj, který nastane dříve 6 let / 24000 hod.

23.2. Kontrola činnosti

- Kontrola stavu agregátů – agregáty musí mít rovnoměrný chod, bez vibrací, přiměřenou hlučnost. V případě negativního výsledku vyhledejte příčinu stavu nebo zavolejte servis
- Kontrola činnosti ventilátorů (pohledem) – ventilátory musí být v provozu v době, kdy jsou v provozu agregáty. V případě negativního výsledku vyhledejte příčinu stavu nebo zavolejte servis
- Kontrola neporušenosti přívodního kabelu, pneumatických hadic. Poškozené díly vyměňte nebo zavolejte servis.
- Kontrola teploty okolí – teplota okolí musí být nižší než přípustná teplota (40 °C). V případě vyšší teploty zlepšete chlazení v místnosti.
- U kompresoru se sušičem vzduchu – na láhvi pro kondenzát uvolněte zátku a vylijte kondenzát.
- Kontrola signalizace potřebného servisu na zobrazovací jednotce – v případě potřeby zajistěte provedení servisu.
- Zkontrolujte provozní stav zařízení (viz kap. 23.4).

23.3. Kontrola těsnosti pneumatických spojů a kontrolní prohlídka zařízení

Kontrola těsnosti

- Kontrolu těsnosti pneumatických rozvodů kompresoru provádějte během provozu – tlakování kompresoru.
- Analyzátozem netěsností nebo mýdlovou vodou zkontrolujte těsnost spojů. Pokud bude indikována netěsnost, musíte spoj dotáhnout, případně utěsnit.

Prohlídka zařízení

- Zkontrolujte stav agregátu kompresoru – rovnoměrnost chodu, přiměřená hlučnost.
- Kontrola činnosti ventilátorů – ventilátory musí být v činnosti v předepsaných provozních cyklech kompresoru.
- Kontrola funkčnosti teplotního spínače (B2) – teplotní spínač zahřejte na teplotu vyšší než 40 °C (např. horkovzdušnou pistolí – pozor, nepůsobte vysokou teplotou na plastové díly v okolí, může dojít k deformaci plastů). Po dosažení teploty 40 °C se uvede do provozu ventilátor E1, E3 – kompresor musí být pod napětím.
- Kontrola stavu filtrů – filtry musí být nepoškozené a přiměřeně čisté.
- Kontrola stavu samotného agregátu, zda nejsou nečistoty v klikové skříni, příp. vůle na klikovém hřídeli.
- Kontrola funkčnosti automatického odvádění kondenzátu.
- V případě zjištěných nedostatků chybné součástky vyměňte.
- Kontrola solenoidních ventilů ve ventilovém modulu – ventily musí cyklicky přepínat komory podle popisu činnosti.
- Zkontrolujte provozní stav zařízení (viz kap. 23.4).

23.4. Kontrola elektrických spojů



Nebezpečí úrazu elektrickým proudem.

Kontrolu elektrických spojů provádějte až po odpojení síťového napětí.

- Zkontrolujte mechanickou funkčnost hlavního vypínače.
- Zkontrolujte neporušenost přívodního kabelu, připojení vodičů.

- Vizuálně zkontrolujte připojení kabelů ke svorkovnici.
- Zkontrolujte všechny šroubové spoje ochranného zeleno-žlutého vodiče PE.

23.5. Vypuštění kondenzátu



Riziko uklouznutí na vlhké podlaze v případě přetečení nádoby.

Pravidelně vyprazdňujte nádobu na sběr kondenzátu.

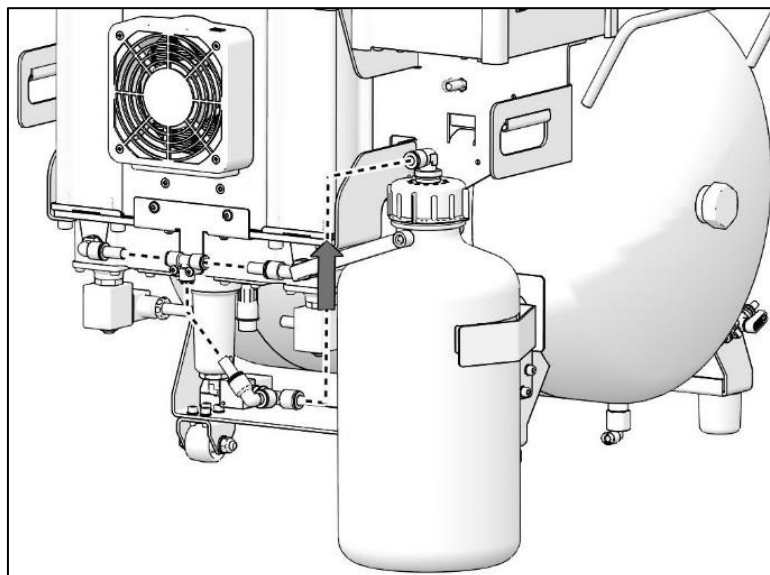


Před každým vyprazdňováním nádoby je nutné kompresor vypnout!

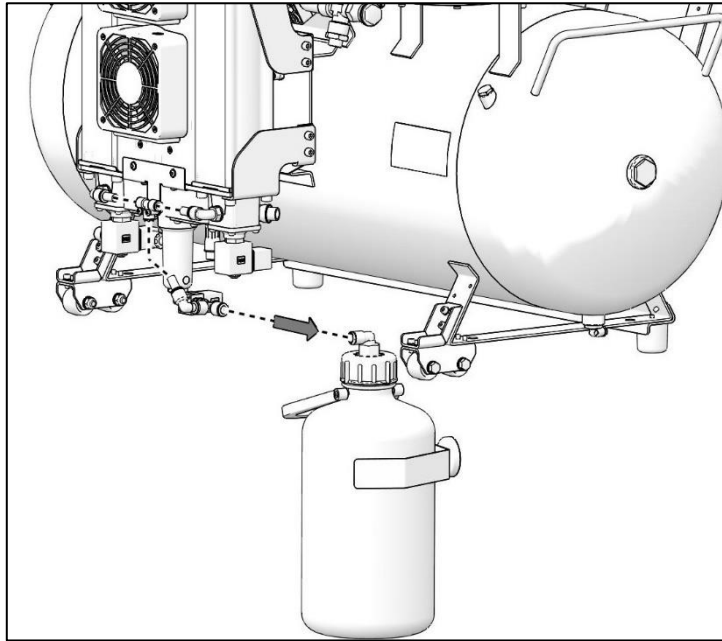
U kompresoru se sušičem vzduchu se kondenzát automaticky vypouští do nádoby na kondenzát.

- Sledujte naplnění nádoby po rysku 1 l/2 l (podle objemu nádoby) a vyprázdněte nejpozději jednou za den.

Obr. 24: Kontrola nádoby na sběr kondenzátu



DK50 4VR/50/M



DK50 2x4VR/110/M



Před následujícími kontrolami je třeba:

- Při provedení kompresoru se skříňkou – odemknout zámky na horní desce skříňky a nadzvednout.

23.6. Kontrola pojistného ventilu

- Šroub (2) pojistného ventilu (1) otočte o několik otáček doleva, dokud nedojde k vyfouknutí vzduchu přes pojistný ventil.
- Pojistný ventil nechejte jen krátce volně od fouknout.
- Šroub (2) otáčejte doprava až na doraz, ventil nyní musí být opět zavřený.



Obr. 25: Kontrola pojistného ventilu



Nebezpečí nebezpečného nárůstu tlaku při poškození pojistného ventilu.

Pojistný ventil se nesmí používat k odtlačování vzdušníku. Může být ohrožena funkce pojistného ventilu. Ten je od výrobce nastaven na přípustný maximální tlak, je přezkoušen a označen.

Pojistný ventil se nesmí přestavovat.



Nebezpečí úrazu při vypouštění stlačeného vzduchu.

Při kontrole pojistného ventilu je třeba chránit si zrak – použít ochranné brýle.

23.7. Výměna vstupního filtru a předfiltru

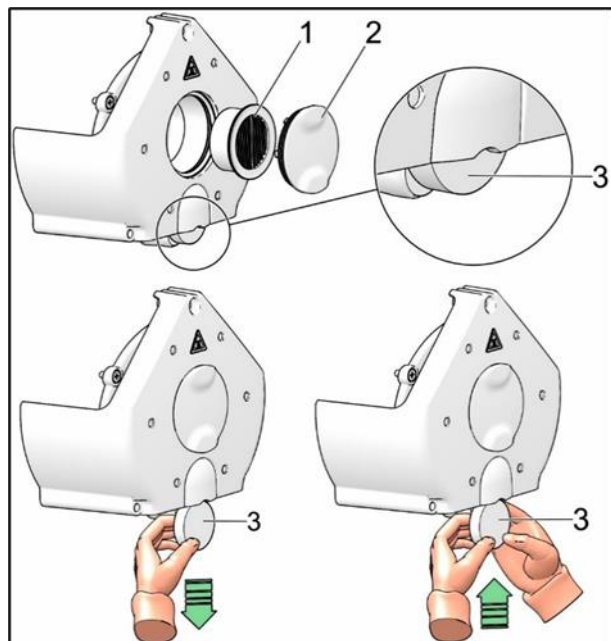
Ve víku klikové skříňky kompresoru se nachází vstupní filtr (1).

Výměna vstupního filtru:

- Rukou vytáhněte gumovou zátku (2).
- Vyjměte použitý a znečištěný filtr (1).
- Vložte nový filtr a nasadte gumovou zátku.

Výměna předfiltru:

- Rukou vytáhněte předfiltr (3).
- Vyměňte ho za nový a vložte zpět.



Obr. 26: Výměna vstupního filtru a předfiltru

23.8. Postup při zapojení kompresoru odpojeného od skříňky



Před každou prací na údržbě nebo opravě kompresor vypněte a odpojte ze sítě (vytáhněte síťovou zástrčku).

Kompresor (bez skříňky) potřebuje pro správnou činnost, aby propojka/můstek (jumper) byly osazeny vždy ve svorkovnici. (Obr. 27, poz. C,D, Obr. 28 poz. D) Nahrazuje zapnutí vypínače umístěného ve skříňce.



Pokud není ve svorkovnici kompresoru (nepřipojeného ke skříňce) osazená propojka/můstek, kompresor nebude funkční!

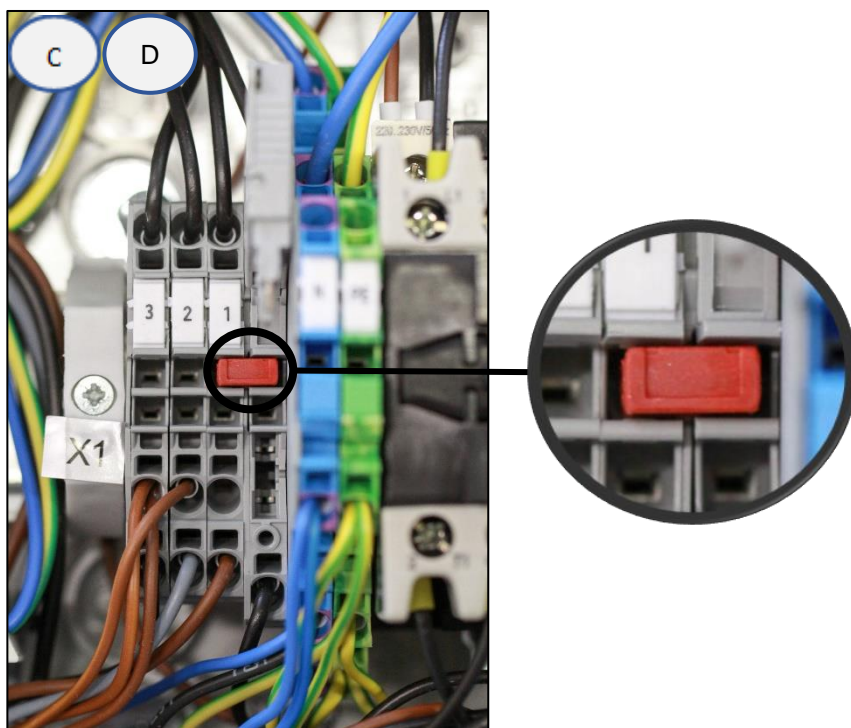
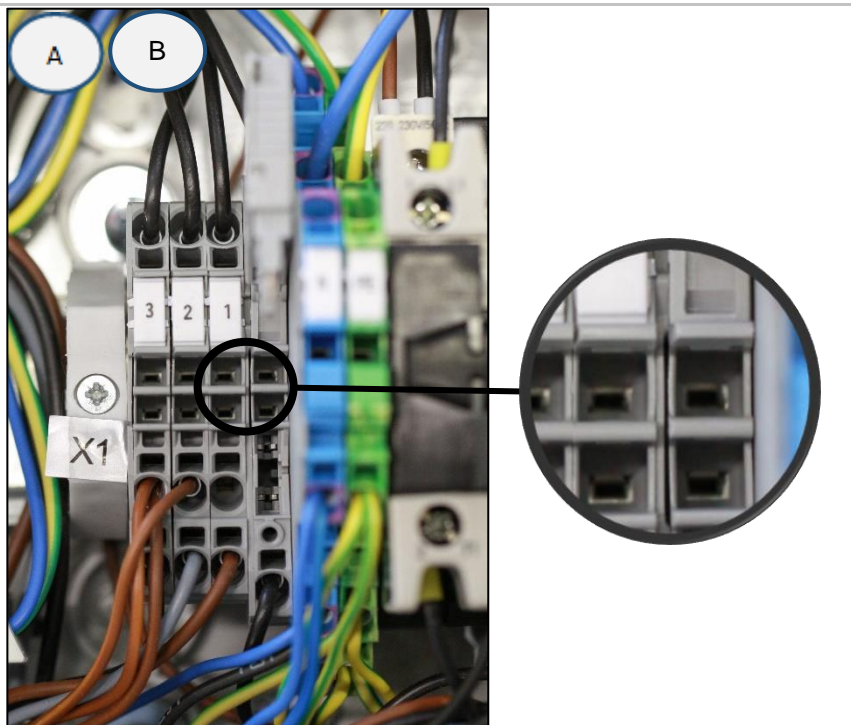
V případě vyjmutí kompresoru ze skříňky a odpojení šňůry mezi kompresorem a skříňkou (vytáhnutím vidlice konektoru) není kompresor funkční. Proto je nejdříve nutné vytvořit propojení na svorkovnici propojkou/můstkem (nahradí funkci vypínače na skříňce). (Obr. 27 poz. A,B, Obr. 28 poz. A)

POSTUP:

Montáž propojky/můstku (postup A-B-C-D)

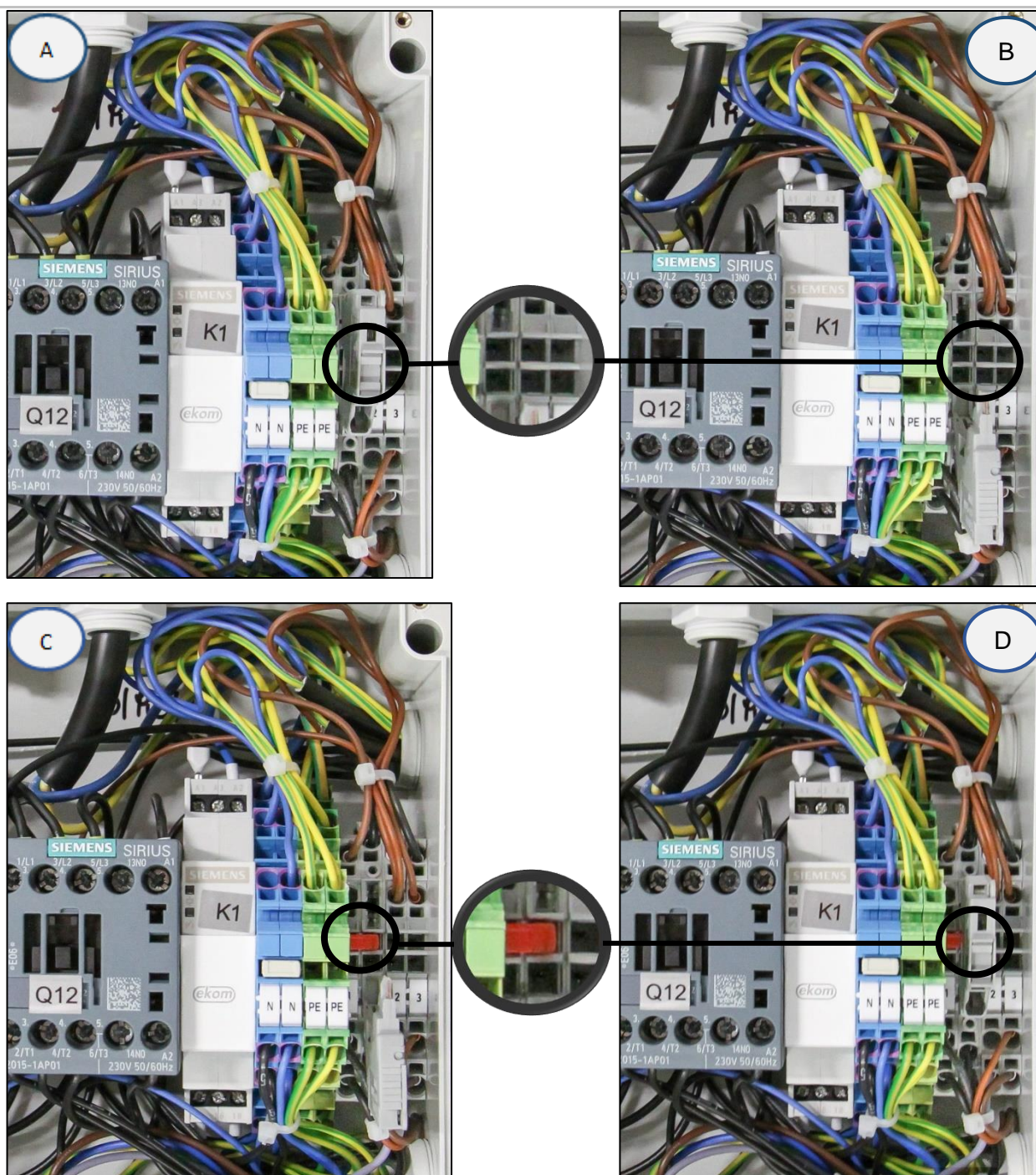
- Odpojte výrobek z elektrické sítě vytáhnutím vidlice ze zásuvky.
- Demontujte kryt elektropanelu (na kompresoru).
- Můstek není ve svorkovnici – A.
- Odklopte pojistkové pouzdro – B.
- Zasuňte můstek do svorkovnice – C.
- Zaklopte pojistkové pouzdro – D.
- Namontujte kryt elektropanelu zpět.
- Připojte výrobek do elektrické sítě.
- Kompresor uvedete do činnosti zapnutím vypínače na tlakovém spínači.

Obr. 27: DK50 4VR/50/M



400V

Obr. 28: DK50 2x4VR/110/M



400 V

23.9. Postup při zapojení kompresoru k nové skřínce



Před každou prací na údržbě nebo opravě kompresor vypněte a odpojte ze sítě (vytáhněte síťovou zástrčku).

Kompresor ve skřínce potřebuje pro správnou činnost, aby propojka/můstek (jumper) nebyly osazeny ve svorkovnici (Obr. 27, poz. A,B, Obr. 28 poz. A). Vypínač umístěný ve skřínce zapíná a vypíná celý výrobek včetně kompresoru.



Pokud je ve svorkovnici kompresoru připojeného ke skřínce osazená propojka/můstek, vypínač na skřínce kompresoru nebude funkční!

Pokud ke kompresoru, který předtím nefungoval samostatně (kompresor bez skříňky), chceme

připojit novou skříňku, potom je nutné zrušit propojení ve svorkovnici kompresoru provedením dále uvedeného postupu. (Obr. 27 Obr. 28). (Viz také kap. 13.1 a 13.2).

POSTUP:

Demontáž propojky/můstku (postup D-C-B-A)

- Odpojte výrobek z elektrické sítě vytáhnutím vidlice ze zásuvky.
- Demontujte kryt elektropanelu (na kompresoru).
- Můstek je ve svorkovnici – D
- Odklopte pojistkové pouzdro – C
- Vyjměte můstek ze svorkovnice – B
- Zaklopte pojistkové pouzdro – A
- Namontujte kryt elektropanelu zpět.
- Zasuňte kompresor do skříňky.
- Skříňku připojte ke kompresoru šňůrou s konektorem do zásuvky (Obr. 13).
- Připojte konektor k displeji na předních dveřích skříňky.
- Připojte výrobek do elektrické sítě.
- Kompresor uvedete do činnosti zapnutím vypínače na tlakovém spínači a vypínače (4) na skříňce (Obr. 23).

Kompresor se skříňkou – při činnosti ve skříňce **nesmí** být připojen do elektřiny (Obr. 27 poz. A,B, Obr. 28 poz. A).

Poznámka: **Můstek, který není osazený ve svorkovnici, je nutné uschovat pro případ použití kompresoru bez skříňky nebo pro případ servisního zásahu** na určené místo u elektropanelu.

23.10. Čištění a dezinfekce vnějších ploch výrobku

K čištění a dezinfekci vnějších ploch výrobku používejte neutrální prostředky.



Používání agresivních čisticích a dezinfekčních prostředků obsahujících alkohol a chloridy může vést k poškození povrchu a změně barvy výrobku.

23.11. Kontrola chladiče a ventilátoru

Aby bylo sušení účinné, udržujte celé zařízení a zejména ventilátor kompresoru, ventilátor chladiče a chladič v čistotě. Odsajte nebo stlačeným vzduchem profoukněte usazený prach z povrchu chladicích žeborů a ventilátorů.

23.12. Kalibrace snímače rosného bodu

Pro kompresory vybavené snímačem rosného bodu je doporučená kalibrace snímače v intervalu 2 roky. Kalibraci provádí výrobce (Vaisala) a je třeba ji objednat online.

Postup při objednání kalibrace snímače:

- Navštivte webovou stránku www.vaisala.com, v části *Services* vyberte *Calibration and repair services*.
- Po zadání typu snímače (typ snímače: **DMT143**) si blíže vyberte typ kalibrace a postupujte podle instrukcí.
- Po demontáži čidla rosného bodu zaslepte místo, kde bylo čidlo umístěno, přibalenou zátkou a zalepte přibaleným lepidlem. (Platí pro kompresor DK50 4VR/50/M).

24. ODSTAVENÍ

V případě, že se kompresor nebude delší dobu používat, doporučujeme vypustit kondenzát z tlakové nádoby a kompresor uvést do provozu asi na 10 minut s otevřeným ventilem pro vypuštění kondenzátu. Pak kompresor vypněte vypínačem (2) na tlakovém spínači (1) (Obr. 23), uzavřete ventil k vypouštění kondenzátu a odpojte zařízení od elektrické sítě.

25. LIKVIDACE PŘÍSTROJE

- Odpojte zařízení od elektrické sítě.
- Vypusťte tlak vzduchu v tlakové nádrži otevřením ventilu pro vypouštění kondenzátu.
- Zařízení zlikvidujte podle místně platných předpisů.
- Tříděním a likvidací odpadu pověřte specializovanou firmu.
- Části výrobku po skončení jeho životnosti nemají negativní vliv na životní prostředí.

VYHLEDÁVÁNÍ PORUCH A JEJICH ODSTRANĚNÍ**Nebezpečí úrazu elektrickým proudem.****Před zásahem do zařízení je nutné odpojit ho od elektrické sítě (vytáhnout síťovou zástrčku).****Nebezpečí úrazu při práci s pneumatickými částmi pod tlakem.****Před zásahem do zařízení je třeba snížit tlak ve vzdušníku, komorách AD sušiče a v pneumatickém systému na nulu.****Činnosti související s odstraňováním poruch smí provádět pouze kvalifikovaný odborník servisní služby.****Nebezpečí nebezpečného nárůstu tlaku při poškození pojistného ventilu.****Pojistný ventil se nesmí přestavovat.**

Porucha	Možná příčina	Řešení
Kompresor se nespustí	V tlakovém spínači není napětí	Zkontrolujte napětí v zásuvce
		Zkontrolujte stav jističe – uveďte ho do stavu zapnuto „I“
		Vodič uvolněný ze svorky - opravte ho
		Zkontrolujte elektrickou šňůru – vadnou vyměňte
	Přerušené vinutí motoru, poškozená tepelná ochrana motoru	Vyměňte motor, resp. přeвиňte vinutí
Vadný kondenzátor	Vyměňte kondenzátor	
Zadřený píst nebo jiná rotační část	Vyměňte poškozené části	
Nespíná tlakový spínač	Zkontrolujte funkčnost tlakového spínače	
Kompresor spíná často.	Únik vzduchu z pneumatického rozvodu	Zkontrolujte pneumatický rozvod – uvolněný spoj utěsněte
	Netěsnost zpětného ventilu (ZV)	Vyčistěte ZV, vyměňte těsnění, vyměňte ZV
	V tlakové nádobě je větší množství zkondenzované kapaliny	Vypusťte zkondenzovanou kapalinu
	Nízká výkonnost kompresoru	Zkontrolujte čas naplnění vzdušníku
Nízký tlak ve vzdušníku (kompresor je v provozu trvale)	Vysoká spotřeba vzduchu spotřebičem	Snížení spotřeby vzduchu Použití výkonnějšího kompresoru
	Netěsnosti v pneumatickém rozvodu	Kontrola pneumatického rozvodu – uvolněné spoje utěsnit
	Nízká výkonnost agregátu	Oprava / výměna agregátu
	Porucha agregátu	Oprava / výměna agregátu
	Porucha sušiče	Výměna sušiče
Chod kompresoru se prodlužuje.	Únik vzduchu z pneumatického rozvodu	Zkontrolujte pneumatický rozvod – uvolněný spoj utěsněte

	Opotřebený pístní kroužek	Vyměňte opotřebený pístní kroužek
	Znečištěný vstupní filtr	Vyměňte znečištěný filtr
	Nesprávná funkce elektromagnetického ventilu	Opravte nebo vyměňte ventil nebo cívku
Kompresor je hlučný (klepání, kovové zvuky)	Poškozené ložisko pístu, ojnice, ložisko motoru	Vyměňte poškozené ložisko
	Uvolněný (prasklý) tlumicí prvek (pružina)	Vyměňte poškozenou pružinu
Sušič nesuší (ve vzduchu se objevuje kondenzát) *	Nefunkční ventilátor chladiče	Vyměňte ventilátor Zkontrolujte přívod elektrické energie
	Poškozený sušič	Vyměňte sušič
	Automatický odvod kondenzátu není funkční	Vyčistěte/vyměňte
Zhoršené sušení – vysoký tlakový rosný bod (ve vzduchu se objevuje kondenzát)	Nízký provozní tlak	Zmenšete odběr vzduchu, zkontrolujte výkonnost zdroje stlačeného vzduchu, odstraňte případné netěsnosti v rozvodu
	Nefunkční regenerační elektromagnetický ventil	Zkontrolujte funkčnost cívky, v případě poškození vyměňte Zkontrolujte stav ventilu – ventil vyčistěte, při přetrvávajících potížích vyměňte
	Ucpaná tryska regeneračního vzduchu	Trysku vyčistěte, případně vyměňte (viz údržba výrobku)
	Nefunkční ventilátory chladiče	Zkontrolujte přívod elektrické energie k ventilátorům Vyměňte poškozený ventilátor
	Znečištěný chladič	Zkontrolujte stav chladiče, v případě znečištění vyčistěte
	Ucpané tlumiče hluku na výstupu regeneračních ventilů	Zkontrolujte stav tlumičů. V případě velkého průtokového odporu nebo výrazného znečištění vyčistěte, případně tlumiče vyměňte.
Zvýšená hlučnost sušiče	Poškozený ventilátor	Vyměňte poškozený ventilátor
	Poškozený tlumič hluku	Tlumič hluku vyměňte
	Únik vzduchu přes přepouštěcí ventil na vstupu sušiče	Zkontrolujte připojení sušiče do elektrické sítě a zapojení sušiče, zkontrolujte činnost sušiče, zkontrolujte pracovní tlak sušiče, vadné komponenty vyměňte.
Únik vzduchu přes přepouštěcí ventil na vstupu sušiče	Vysoký pracovní tlak zdroje vzduchu	Zkontrolujte nastavení pracovního tlaku zdroje
	Nefunkční vstupní elektromagnetické ventily sušiče	Zkontrolujte funkčnost cívky, v případě poškození vyměňte Zkontrolujte stav ventilu – ventil vyčistěte, při přetrvávajících potížích vyměňte
	Vysoký tlak v zařízení z důvodu nadměrně zanesených filtrů	Zkontrolujte stav vnitřních filtrů i doplňkových filtračních souprav. Znečištěné filtrační vložky vyčistěte, případně vyměňte.

)* Při poruše sušiče je nutné důkladně vyčistit vnitřní povrch vzdušníku a dokonale odstranit zkondenzovanou kapalinu.

Po odstranění poruchy týkající se sušiče a po jeho zpětné montáži je doporučeno provést zrychlenou regeneraci sušiče – nejlépe nepřetržitým chodem kompresoru při tlaku zvýšeném o 1 bar po dobu alespoň 1 hodiny – a provést kontrolu sušení vzduchu.



K zajištění ochrany připojeného zařízení před poškozením je třeba zkontrolovat vlhkost vypouštěného vzduchu ze vzdušníku (viz kap. Technické údaje).

26. INFORMACE O OPRAVÁRENSKÉ SLUŽBĚ

Záruční a pozáruční opravy zajišťuje výrobce nebo firmy a servisní pracovníci určení dodavatelem.

Upozornění.

Výrobce si vyhrazuje právo provést u výrobku změny, které však neovlivní podstatné vlastnosti přístroje.

**27. INSTALLATION RECORD**

1. Product: (model) DK50 4VR/50/M DK50 4VR/50S/M DK50 2x4VR/110/M DK50 2x4VRS/M		2. Serial number:	
3.1. User's name:			
3.2. Address of installation:			
4. Equipment connected to the compressor:			
5. Installation / Commissioning:		6. Contents of operator training:	
Product completeness check **	Y	Description of the product and functions**	Y
	N		N
Documentation completeness check **	Y	Product operation: turning on/off, controls, control procedures, data on the display panel, alarms, operation in alarm conditions**	Y
	N		N
Installation/connection to equipment **	Y	Product maintenance: maintenance intervals, maintenance procedure, service intervals, operating activities**	Y
	N		N
Functional test **	Y	Safety measures, warnings – their meaning and compliance **	Y
	N		N
Notes:			
7. Operator instructed on safety measures, operations and maintenance:			
Name:		Signature:	
Name:		Signature:	
Name:		Signature:	
8. Installation and instruction performed by: First name/Last name		Signature:	
Company:		Address:	
Phone:			
Email:		Date:	
9. Distributor:			
Company:		Address:	
Contact person:			
Phone:		Email:	

** mark with an "X" in points 5 and 6 (Y - yes /N - no). Enter any observations from points 5 and 6 into the "Notes" section



27. INSTALLATIONSPROTOKOLL

1. Produkt: (Modell) DK50 4VR/50/M DK50 4VR/50S/M DK50 2x4VR/110/M DK50 2x4VRS/M		2. Seriennummer:	
3.1. Benutzername:			
3.2. Aufstellungsort:			
4. An den Kompressor angeschlossene Geräte:			
5. Installation / Inbetriebnahme:		6. Inhalte der Bedienerschulung:	
Vollständigkeitsprüfung des Produkts**	J	Beschreibung des Produkts und der Funktionen**	J
	N		N
Dokumentation der Vollständigkeitsprüfung**	J	Produktbetrieb: Ein-/Ausschalten, Steuerungen, Steuerungsabläufe, Daten auf dem Display, Alarme, Betrieb bei Alarmzustand**	J
	N		N
Installation/Anschluss an Gerät**	J	Produktwartung: Wartungsintervalle, Serviceintervalle, Wartungsablauf, Betriebsabläufe**	J
	N		N
Funktionstest**	J	Sicherheitsmaßnahmen, Warnmeldungen – Bedeutung und Befolgung**	J
	N		N
Hinweise:			
7. Der Bediener wurde über die Sicherheitsmaßnahmen, über Abläufe und Wartung instruiert:			
Name:		Unterschrift:	
Name:		Unterschrift:	
Name:		Unterschrift:	
8 Installation und Anweisung vorgenommen durch: Vorname/Nachname		Unterschrift:	
Firma:		Adresse:	
Telefon:			
E-Mail:		Datum:	
9 Vertriebshändler:			
Firma:		Adresse:	
Ansprechpartner:			
Telefon:		E-Mail:	

**für Punkte 5 und 6 mit einem „X“ markieren (J - Ja/N - Nein). Geben Sie alle Beobachtungen aus den Punkten 5 und 6 im Abschnitt „Hinweise“ ein.



27. REGISTRE D'INSTALLATION

Produit : (modèle) DK50 4VR/50/M DK50 4VR/50S/M DK50 2x4VR/110/M DK50 2x4VRS/M		2. Numéro de série :	
3.1. Nom de l'utilisateur :			
3.2. Adresse de l'installation :			
4. Équipement raccordé au compresseur :			
5. Installation/mise en service :		6. Contenu de la formation des opérateurs :	
Vérification de l'intégralité de l'appareil **	<input type="radio"/> O <input type="radio"/> N	Description de l'appareil et de ses fonctions **	<input type="radio"/> O <input type="radio"/> N
Vérification de l'intégralité de la documentation **	<input type="radio"/> O <input type="radio"/> N	Fonctionnement de l'appareil : mise en marche/arrêt, commandes, procédures de commande, données sur le panneau d'affichage, alarmes, fonctionnement des conditions d'alarme**	<input type="radio"/> O <input type="radio"/> N
Installation/raccordement à l'appareil	<input type="radio"/> O <input type="radio"/> N	Entretien de l'appareil : Intervalles de maintenance, procédure d'entretien, intervalles d'entretien, activités d'exploitation**	<input type="radio"/> O <input type="radio"/> N
Test fonctionnel **	<input type="radio"/> O <input type="radio"/> N	Mesures de sécurité, avertissements : signification et conformité **	<input type="radio"/> O <input type="radio"/> N
Remarque :			
7. Opérateur instruit sur les mesures de sécurité, les opérations et la maintenance :			
Nom :		Signature :	
Nom :		Signature :	
Nom :		Signature :	
8. Installation réalisée par : Prénom/Nom		Signature :	
Société :		Adresse :	
Téléphone :			
E-mail :		Date :	
9. Distributeur :			
Société :		Adresse :	
Personne de contact :			
Téléphone :		E-mail :	

** marquer d'un « X » aux points 5 et 6 (O - oui /N - non). Saisir les observations des points 5 et 6 dans la section « Remarques ».



27. ОТЧЕТ ОБ УСТАНОВКЕ

Изделие: (модель) DK50 4VR/50/M DK50 4VR/50S/M DK50 2x4VR/110/M DK50 2x4VRS/M		2. Серийный номер:	
3.1. Имя пользователя:			
3.2. Адрес проведения установки:			
4. Оборудование, подсоединенное к компрессору			
5. Установка / ввод в эксплуатацию		6. Этапы подготовки оператора	
Проверка комплектации изделия**	Д	Описание изделия и его функций**	Д
	Н		Н
Проверка наличия документации**	Д	Эксплуатация изделия: включение и выключение, элементы управления, контрольные процедуры, отображение данных на дисплее, аварийные сигналы, эксплуатация в случае получения аварийных сигналов**	Д
	Н		Н
Установка / подсоединение к оборудованию**	Д	Техническое обслуживание: интервалы и процедуры технического обслуживания, служебные интервалы и эксплуатационные меры**	Д
	Н		Н
Функциональные испытания**	Д	Меры безопасности, предупреждения (их значение и соответствие им)**	Д
	Н		Н
Примечания			
7. Оператор проинструктирован по поводу мер безопасности, эксплуатации и технического обслуживания			
ФИО:		Подпись:	
ФИО:		Подпись:	
ФИО:		Подпись:	
8. Кем выполнены установка и инструктаж Имя / фамилия		Подпись:	
Компания:		Адрес:	
Телефон:			
Электронная почта:		Дата:	
9. Дистрибьютор			
Компания:		Адрес:	
Контактное лицо:			
Телефон:		Электронная почта:	

** Отметьте пп. 5 и 6 значком «X» («Да» или «Нет»). Внесите в раздел «Примечания» какие-либо замечания на основе данных пп. 5 и 6.



27. DOKUMENTACJA INSTALACJI

Product: (model) DK50 4VR/50/M DK50 4VR/50S/M DK50 2x4VR/110/M DK50 2x4VRS/M		2. Numer seryjny	
3.1. Instrukcja obsługi:			
3.2. Adres instalacji:			
4. Sprzęt podłączony do sprężarki:			
5. Instalacja / Uruchomienie urządzenia:		6. Spis treści szkolenia operatorów:	
Sprawdzenie kompletności produktu **	T N	Opis produktu i funkcji**	T N
Sprawdzanie kompletności dokumentów **	T N	Działanie produktu: włączanie/wyłączanie, sterowanie, procedury sterowania, dane na wyświetlaczu, alarmy, obsługa w warunkach alarmowych**.	T N
Instalacja/podłączenie sprzętu **	T N	Konserwacja produktu: przerwy między przeglądami, procedury konserwacji, okresy międzyprzeładowe, działalności operacyjne**	T N
Test funkcjonalny **	T N	Środki bezpieczeństwa, ostrzeżenia – ich znaczenie i zgodność **	T N
Uwagi::			
7. Operator został poinformowany o środkach bezpieczeństwa, działaniach i konserwacji:			
Imię i nazwisko:		Podpis:	
Imię i nazwisko:		Podpis:	
Imię i nazwisko:		Podpis:	
8. Instalacja i instruktaż przeprowadzone przez Imię/Nazwisko		Podpis:	
Firma:		Adres:	
Telefon:			
Email:		Data:	
9. Dystrybutor:			
Firma:		Adres:	
Osoba kontaktowa:			
Telefon:		Email: :	

** umieścić znak „X” w punktach 5 i 6 (T – tak /N – nie). Wszelkie uwagi z punktów 5 i 6 w rubryce „Uwagi”



27. ZÁZNAM O INŠTALÁCII

1. Výrobok: (typ) DK50 4VR/50/M DK50 4VR/50S/M DK50 2x4VR/110/M DK50 2x4VRS/M		2. Výrobné číslo:	
3.1. Názov užívateľa:			
3.2. Adresa inštalácie:			
4. Zariadenia pripojené ku kompresoru:			
5. Inštalácia / Uvedenie do prevádzky:		6. Obsah zaučenia obsluhy:	
Kontrola úplnosti výrobku **	A	Popis výrobku a popis funkcie**	A
	N		N
Kontrola úplnosti dokumentácie **	A	Obsluha výrobku : zapnúť /vypnúť, ovládacie prvky, postupy ovládania, údaje na zobrazovacom paneli, alarmy, činnosť pri alarmoch**	A
	N		N
Inštalácia/pripojenie k zariadeniu **	A	Údržba výrobku : intervaly údržby, postup pri údržbe, servisné intervaly, činnosť obsluhy**	A
	N		N
Funkčná skúška **	A	Bezpečnostné opatrenia, upozornenia – ich význam a dodržiavanie **	A
	N		N
Poznámky:			
7. Obsluha poučená o bezpečnostných opatreniach, prevádzke a údržbe :			
Meno :		Podpis :	
Meno :		Podpis :	
Meno :		Podpis :	
8. Inštaláciu a poučenie vykonal: Meno/Priezvisko		Podpis:	
Firma:		Adresa:	
Telefón:			
E-mail :		Dátum:	
9. Distribútor:			
Firma:		Adresa:	
Kontaktná osoba :			
Telefón:		E-mail :	

** v bodoch 5 a 6 označiť "X" (A - áno /N - nie). Pozorovania k bodom 5 a 6 zapísať do časti „Poznámky“



27. ZÁZNAM O INSTALACI

Výrobek: (typ) DK50 4VR/50/M DK50 4VR/50S/M DK50 2x4VR/110/M DK50 2x4VRS/M		2. Výrobní číslo:	
3.1. Jméno uživatele:			
3.2. Adresa instalace:			
4. Zařízení připojené ke kompresoru:			
5. Instalace / uvedení do provozu:		6. Obsah zaučení obsluhy:	
Kontrola úplnosti výrobku**	A	Popis výrobku a popis funkcí**	A
	N		N
Kontrola úplnosti dokumentace**	A	Obsluha výrobku: zap./vyp., ovládací prvky, postupy ovládání, údaje na zobrazovacím panelu, alarmy, činnosti při alarmech**	A
	N		N
Instalace / připojení k zařízení**	A	Údržba výrobku: intervaly údržby, postup při údržbě, servisní intervaly, činnost obsluhy**	A
	N		N
Zkouška funkčnosti **	A	Bezpečnostní opatření, upozornění – jejich význam a dodržování**	A
	N		N
Poznámky:			
7. Obsluha poučená o bezpečnostních opatřeních, provozu a údržbě:			
Jméno:		Podpis:	
Jméno:		Podpis:	
Jméno:		Podpis:	
8. Instalaci a poučení vykonal/a – Jméno/příjmení		Podpis:	
Firma:		Adresa:	
Telefon:			
E-mail:		Datum:	
9. Distributor:			
Firma:		Adresa:	
Kontaktní osoba:			
Telefon:		E-mail:	

** v bodech 5 a 6 označit „X“ (A – ano /N – ne). Pozorování k bodům 5 a 6 zapsat do části „Poznámky“.



DK50 4VR/50/M

DK50 2X4VR/110/M

 EKOM spol. s r.o.
Priemyselná 5031/18, 921 01 PIEŠŤANY
Slovak Republic
tel.: +421 33 7967 211, fax: +421 33 7967 223
e-mail: ekom@ekom.sk, www.ekom.sk

NP-DK50 4VR 50, DK50 2x4VR 110-AD-10_10-2024
112000571-000

www.ekom.sk