

DK50 2V/50 DK50 2x2V/110

- EN User manual
- DE Benutzerhandbuch
- SK Návod na použitie



COMPRESSOR
KOMPRESSOR
KOMPRESOR

DK50 2V/50
DK50 2x2V/110



EKOM spol. s r. o.
Priemyselná 5031/18
SK-921 01 Piešťany
Slovak Republic
tel.: +421 33 7967255
fax: +421 33 7967223

www.ekom.sk
email: ekom@ekom.sk

DATE OF LAST REVISION
DATUM DER LETZTEN ÜBERARBEITUNG
DÁTUM POSLEDNEJ REVÍZIE

09/2024

NP-DK50 2V 50, 2x2V 110-
A-18_09-2024-MD
112000443-000



CONTENTS 5



INHALT 54



OBSAH 105

CONTENTS

GENERAL INFORMATION.....	6
1. CONFORMITY WITH THE REQUIREMENTS OF THE EUROPEAN UNION.....	6
2. SYMBOLS.....	6
3. DEVICE USE	7
4. GENERAL SAFETY INSTRUCTION	8
5. STORAGE AND TRANSPORT	9
PRODUCT DESCRIPTION	10
6. VARIANTS	10
7. ACCESORIES.....	11
8. PRODUCT FUNCTION	12
TECHNICAL DATA.....	18
INSTALLATION.....	24
9. INSTALLATION CONDITIONS	24
10. COMPRESSOR ASSEMBLY	24
11. PNEUMATIC CONNECTION	29
12. ELECTRICAL CONNECTION	30
13. COMMISSIONING	31
14. PNEUMATIC AND ELECTRICAL DIAGRAMS	32
OPERATION.....	41
15. SWITCHING THE COMPRESSOR	42
16. SWITCH OFF THE COMPRESSOR	42
PRODUCT MAINTENANCE	43
17. PRODUCT MAINTENANCE.....	43
18. LONG-TERM SHUTDOWN.....	51
19. DISPOSAL OF DEVICE	51
TROUBLESHOOTING.....	52
20. REPAIR SERVICE	53
ANNEX	154
21. INSTALLATION RECORD	154

GENERAL INFORMATION

Read the User manual carefully and keep it before use of the product. The User manual provides information on correct use – installation, operation and maintenance of the product.

The User manual corresponds with the design of the product and condition according to the applicable safety and technical standards at the time of printing. The manufacturer reserves all rights concerning the protection for the stated connections, procedures and names.

Slovak version is original of the User manual. The User manual has been translated in accordance with the best available knowledge. The Slovak version is to be used in the event of any uncertainties.

This user manual is the original instructions. Translation is performed in accordance with the best available knowledge.

1. CONFORMITY WITH THE REQUIREMENTS OF THE EUROPEAN UNION

This product conforms to the requirements of the European Union 2006/42/EC, 2014/29/EU, 2014/35/EU, 2014/30/EU, 2011/65/EU and is safe if used in compliance with the intended use and if all safety instructions are followed.

User manual is in compliance with requirements of Directive 2006/42/EC.

2. SYMBOLS

The following symbols and marks are used in the User manual, on the device and its packaging:



General warning



Warning – risk of electric shock



Warning - compressor is controlled automatically



Warning – hot surface



General caution



Refer to instruction manual



CE – marking



Serial number



Article number



Protecting earthing



Fuse



Package handling label – fragile



Package handling label – this side up



Package handling label – keep dry



Package handling label – temperature limits



Package handling label – limited stacking



Package label – recyclable material



Manufacturer

3. DEVICE USE

3.1. Intended use

The compressor is used as source of clean oil-free compressed air intended to be used in industry and laboratories, where parameters and properties of the compressed air are suitable.

The compressor is exclusively intended to compress air without content of explosive or chemically unstable substances.

The compressor is intended for operation in clean and dry rooms

3.2. Incorrect use



Contamination risk.

Air from the compressor is without additional treatment not suitable for breathing and direct contact with food



Explosion risk.

The product is not intended for operation in rooms with explosion risk.

The compressor must not be used to compress aggressive gases.

The compressor must not be operated in premises with occurrence of flammable vapors.

The compressor must not be operated in other conditions as mentioned in Technical data.

Any other use of the product beyond the intended use is considered as incorrect use. The manufacturer is not responsible for any damages or injuries as a result of incorrect use or disobedience to instructions stated in this User manual. All risks shall be solely borne by the user/operator.

4. GENERAL SAFETY INSTRUCTION

The product is designed and manufactured so that any risks connected with its use are minimized and the product is safe for the user and surrounding when used according to the intended use and the instructions stated below are followed.

4.1. Required qualification of the personnel

- Each user must be trained by the manufacturer or an organization authorized by the manufacturer or instructed on the device operation by other trained user.
- Installation, new settings, changes, extensions and repairs of the product may be performed by the manufacturer or an organization authorized by the manufacturer (hereinafter qualified technician).
- Otherwise the manufacturer is not responsible for safety, reliability and correct functioning of the product.

4.2. General instruction

- When operating the compressor, all acts and local regulations valid in the place of use must be observed. The operator and user are responsible for following the applicable regulations.
- Before every use, the user must check, if the device is functioning correctly and safely. Before building the compressor in other devices, the supplier must assess, if the supplied air and construction of the device comply with the requirements of the specified intended use. Taking this into account, follow the product technical data. Assessment of conformity shall be performed by the manufacturer – supplier of the final product.

4.3. Protection from dangerous voltage and pressure

- The device can be connected only to a properly mounted socket with protective earthing.
- Before connecting the product, check if mains voltage and mains frequency stated on the product are in compliance with the values of the mains.
- Before putting the product into operation, check eventual damages to connected pneumatic hoses and electrical cables. Replace damaged pneumatic hoses and electrical cables immediately.
- Immediately disconnect the product from the mains (pull out the mains plug) in hazardous situations or technical disorders.
- Safety valve settings must not be changed and used to depressurize the air tank.

4.4. Original spare parts and accessories

- Safety of operating staff and failure-free operation of the product are guaranteed only when original spare parts are used. Only accessories and spare parts stated in the technical documentation or expressly approved by the manufacturer may be used.
- The guarantee does not apply to damages arising from use of accessories and spare parts other than prescribed or recommended by the manufacturer and the manufacture is not responsible for them.

5. STORAGE AND TRANSPORT

The manufacturer ships the compressor in a transport packaging. This protects the device from damage during transport.



Risk of damage to pneumatic parts.

The compressor may be transported only depressurized. Vent air pressure from the pressure tank and pressure hoses and drain condensate from the air tank before transporting the compressor.



Original packaging must be kept for eventual return of the device. If possible, always use the original compressor packaging for optimal protection of the product. If it is necessary to return the product within the guarantee period, the manufacturer does not guarantee for damages caused by incorrect packaging of the product.



Transport the compressor in an upright position, always secured by transport fixing elements.



Protect the compressor from high humidity, dirt and extreme temperatures during transport and storage. Do not store together with volatile chemical substances.



If it is not possible to keep the original packaging, dispose of the packaging in an environmentally friendly way. Transport cardboard can be recycled with old paper.



It is not permitted to store and transport the device outside the defined conditions, see below.

5.1. Ambient conditions

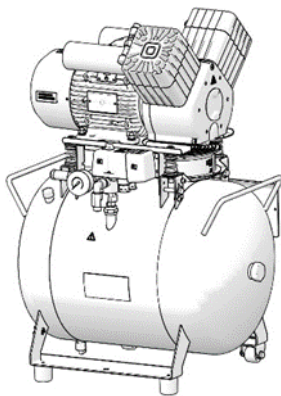
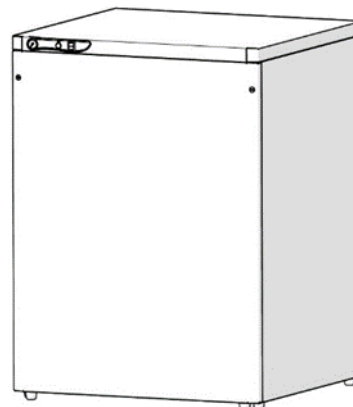
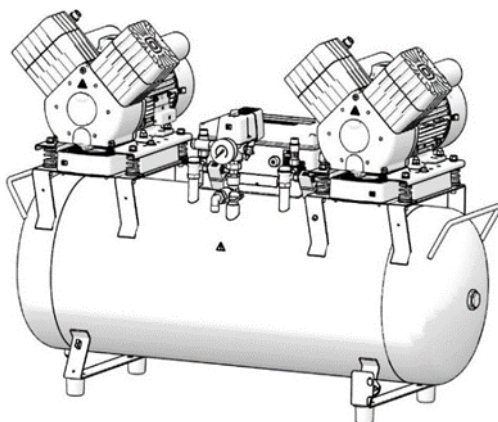
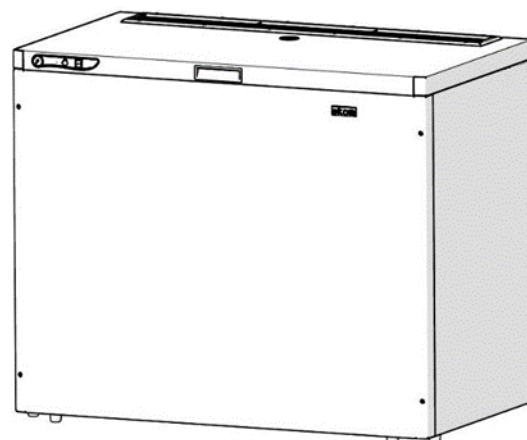
Products can be stored in rooms and means of transport that are free from any traces of volatile chemical substances under the following climatic conditions:

Temperature	from -25°C to $+55^{\circ}\text{C}$, in 24h to $+70^{\circ}\text{C}$
Relative humidity	max. 90% (without condensation/ non-condensing)

PRODUCT DESCRIPTION**6. VARIANTS**

The compressor is manufactured according to its intended application in the following variants:

DK50 2V/50	Compressor for installation in areas where operations will not disturb the surroundings
DK50 2V/50/M	Compressor with a membrane air dryer
DK50 2V/50S	Compressor in a cabinet with efficient soundproofing
DK50 2V/50S/M	Compressor with membrane dryer in a cabinet
Cabinet S50	Used to reduce the level of noise generated by the compressor
DK50 2x2V/110	Compressor is suitable for installation in rooms, where its activity does not disturb surrounding.
DK50 2x2V/110/M	compressor with membrane dryer
DK50 2x2V/110 S	compressor in cabinet with effective noise dampening
DK50 2x2V/110 S/M	compressor in cabinet with membrane dryer
Cabinet S 110	It decreases noise level of the compressor.

**DK50 2V/50****S50
DK50 2V/50S****DK50 2x2V/110****S 110
DK50 2x2V/110 S**

7. ACCESORIES

Accessories are not included in a standard order, they must be ordered separately.

Automatic condensate drain

Automatic condensate drain (ACD) automatically drains condensate from the compressor air tank in pre-set time interval. ACD is suitable accessory for compressor without dryer.

Type	Use	Article number
AOK 13	DK50 2V/50	447000001-154
AOK 12	DK50 2x2V/110	447000001-123

Set of compressed air outlet filters

The compressor may be equipped with a set of filters if specified. The filter set may be equipped with an air pressure regulator.



Where a different level of air filtration is required, this requirement must be agreed upon with the supplier and specified in the order.

Type	Use	Level of filtration (µm)	Article number
FS 30F		1	604014119-014
FS 30M	DK50 2V/50, DK50 2V/50/M	1+0.1	604014119-015
FS 30S	DK50 2x2V/110, DK50 2x2V/110/M	1+0.01	604014119-017
FS 30A		1+0.01+A**	604014119-018

**) A – submicrofilter with activated carbon

*) - set **FS 30A**, in the standard configuration, this cannot be combined with a pressure regulator on products DK50 2V/50, DK50 2V/50/M; please contact your supplier if you are interested in such set (with a regulator)

Filters set regulator assembly

The compressor may be equipped with a pressure regulator of the compressed air outlet if specified. The regulator must be selected according to the application to the filter set, or separately. The regulator shall ensure constant pressure at the outlet.

Type	Use	Article number
Regulator complete (to the filter assembly)	DK50 2V/50, DK50 2V/50/M DK50 2x2V/110, DK50 2x2V/110/M	604014130-X00
REG12 (separate)	DK50 2V/50, DK50 2V/50/M	447000001-088
REG13 (separate)	DK50 2x2V/110, DK50 2x2V/110/M	447000001-096

Filter set brackets



A suitable bracket must be ordered for every filter set.

Type	Use	Article number
Compressor-mounted bracket	DK50 2V/50, DK50 2V/50/M	603014177-000
Compressor-mounted bracket	DK50 2x2V/110, DK50 2x2V/110/M	604014169-000

Condensation and filtration unit

The compressor may be additionally fitted with a condensation and filtration unit (KJF).

The KJF ensure that the compressed air from the air tank is cooled in the cooler and the condensate is captured in the filter and automatically separated from the pneumatic distribution system. The compressed air is filtered at the same time.

Type	Use	Level of filtration / μm /	Pressure regulator	Article number
KJF-2	DK50 2x2V/110	5	no	450001021-002

3KOM modules for controlling multiple compressors in Master-Slave functionality

A 3KOM control module may be ordered to manage the operation of 2 or 3 identical compressors with the same pressure range in Master-Slave functionality. In use, the controller in the module takes over the compressor switching function. The control module may be ordered in the configurations shown in the following table.

Compressor model	Control schematic	Article number	System air outlet
DK50 2V/50/ (M)	1+1	603002152-000	G 3/4"
DK50 2x2V/110/ (M)	1+1+1		

Equipotential bonding socket

The socket provides protective bonding. (Fig. 11)

Type	Use	Name	Article number
POAG-KBT6-EC	DK50 2V/50S, DK50 2V/50S/M	Mains plug connector	033400075-000
FLEXI-S/POAG-HK6	DK50 2x2V/110S, DK50 2x2V/110S/M	Conductor (1 m)	034110083-000

8. PRODUCT FUNCTION

8.1. Compressor

Fig. 1: Air pump (1) sucks the atmospheric air in through the inlet filter (8) and compresses it through the non-return valve (3) into the air tank (2) from which the device draws in the compressed air. If the pressure in the air tank drops to the switch-on pressure, the pressure switch (4) switches the compressor on and the compressor compresses the air into the air tank until it reaches the switch-off pressure, when the compressor switches off. The pressure hose is vented through the solenoid relief valve (13) once the compressor pump is switched off. The safety valve (5) prevents the pressure in the air tank from rising above the maximum allowed value. The drain valve (7) drains the condensate from the air tank. Compressed, oil-free filtered air is stored in the air tank ready for use.

Condensate must be drained from the air tank at regular intervals (see chapter 17.1).

8.2. Compressor with membrane dryer

Fig. 2: The air pump (1) draws in air through an inlet filter (8) and compresses it, feeding it to the cooler (14) through the filter (15) and the check valve (3) into the dryer (9), and feeds the clean and dry air into the air tank (2). A part of the air is released from the dryer with the captured moisture, which is manifested as a light air stream along the body of the dryer (9). Condensate from the filter is automatically drained at regular intervals into the collecting bottle via the condensate drain solenoid valve (16). The dryer ensures continuous drying of the compressed air. The drain valve (7) drains condensate from the air tank when drying performance is checked. Compressed, oil-free filtered air is stored in the air tank ready for use.

For the membrane dryer to work as intended, the dryer is connected directly to the air tank without the use of a check valve. As the membrane dryer contains selective membrane fibres, there is a

small amount of air leakage through them (about 0.5 bar/30 min)

This is why there is a gradual, slow drop in pressure even when there is no demand for compressed air (from the air tank), however, this is not a malfunction.

The pressure vessel does not need to be drained.

8.3. Compressor cabinet

Fig. 3: The soundproof cabinet provides compact covering of the compressor, dampens noise efficiently, providing sufficient exchange of cooling air. The fan under the compressor pump provides cooling of the compressor. It is in operation at the same time with the compressor motor or after switching on the temperature switch at temperature above 40°C. After cooling the cabinet area approximately under 32°C, the fan turns off automatically.



Risk of compressor overheating.

Make sure that there are no obstacles at the cooling air inlet into the cabinet (around the bottom part of the cabinet) and at the hot air outlet on the top back side of the cabinet.

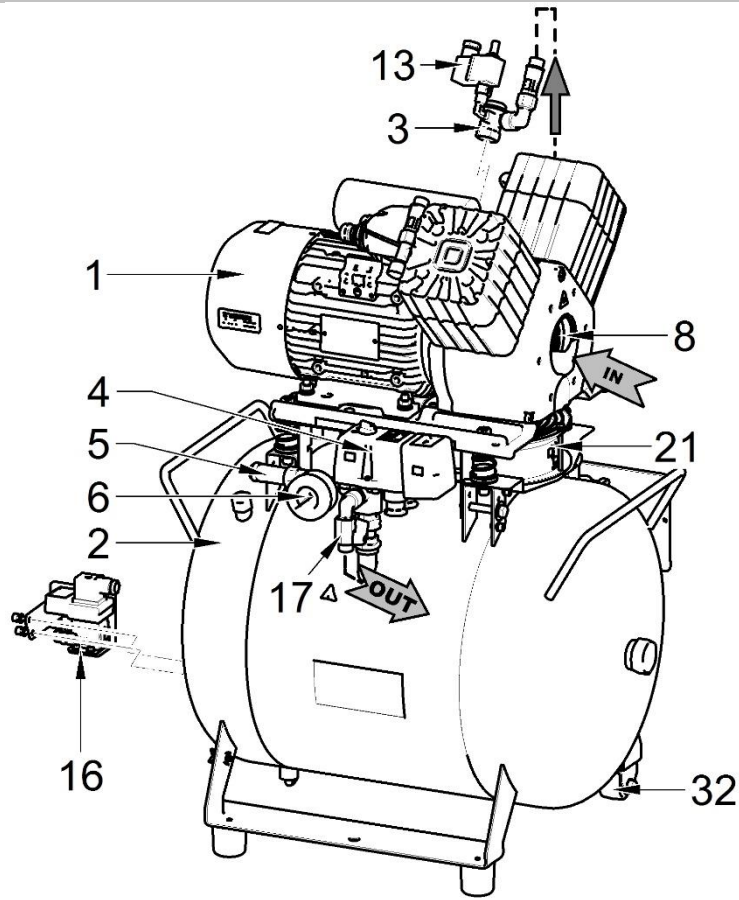
If the compressor is placed on a soft floor, e.g. carpet, create space between the base and the floor or the cabinet and the floor, e.g. underlay the footings with hard pads to ensure sufficient cooling of the compressor.

The 8 - 10 bar compressor model is equipped with hours counter (Fig. 3).

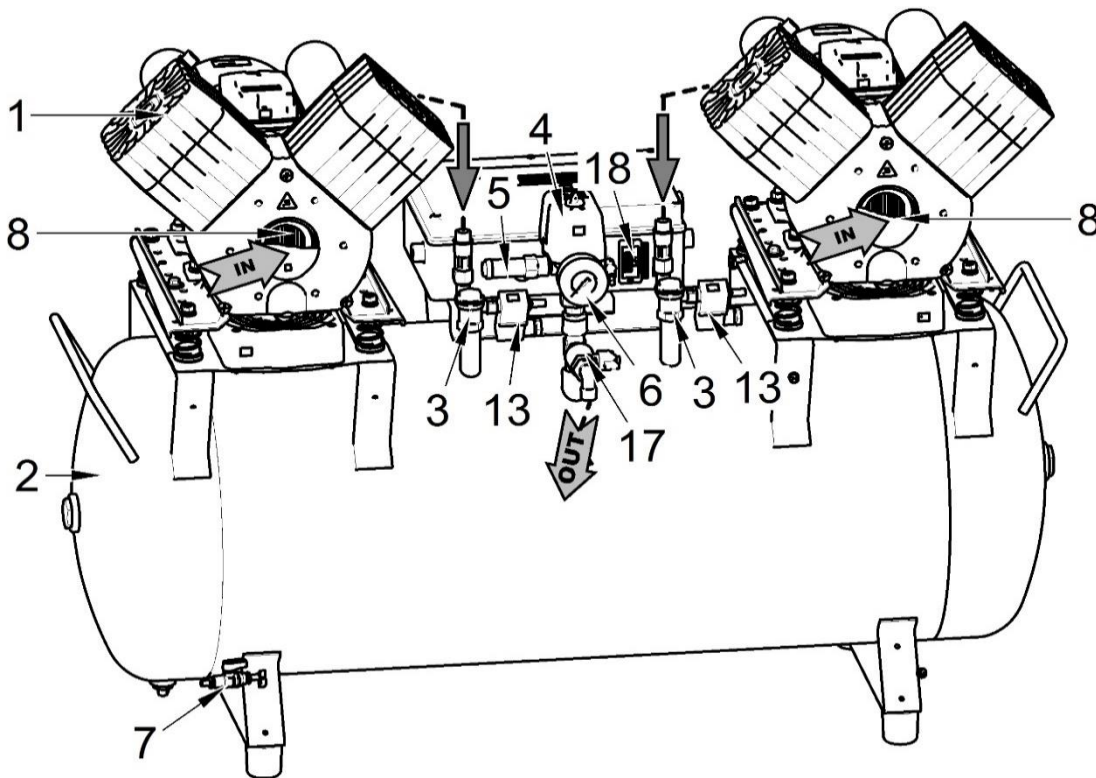
Description for Figures 1-3:

- | | |
|-------------------------------------|----------------------------------|
| 1. Air pump | 18. Socket |
| 2. Air tank | 19. Condensate collection vessel |
| 3. Non-return valve | 20. Magnetic holder |
| 4. Pressure switch | 21. Fan |
| 5. Safety valve | 22. Cabinet fan |
| 6. Pressure gauge | 23. M5 screw |
| 7. Drain valve | 24. Cabinet gas springs |
| 8. Inlet filter | 25. Cabinet enclosure |
| 9. Dryer | 26. Wall stop |
| 10. - | 27. Switch |
| 11. - | 28. Pressure gauge |
| 12. - | 29. Power cord |
| 13. Solenoid valve | 30. Pressure gauge hose |
| 14. Dryer cooler | 31. Handle S110 |
| 15. Filter | 32. Wheels |
| 16. Condensate drain solenoid valve | 33. Connecting reinforcement |
| 17. Ball valve | 34. Connector of cabinet |
| | 35. Pulling system |

Fig. 1: Compressor

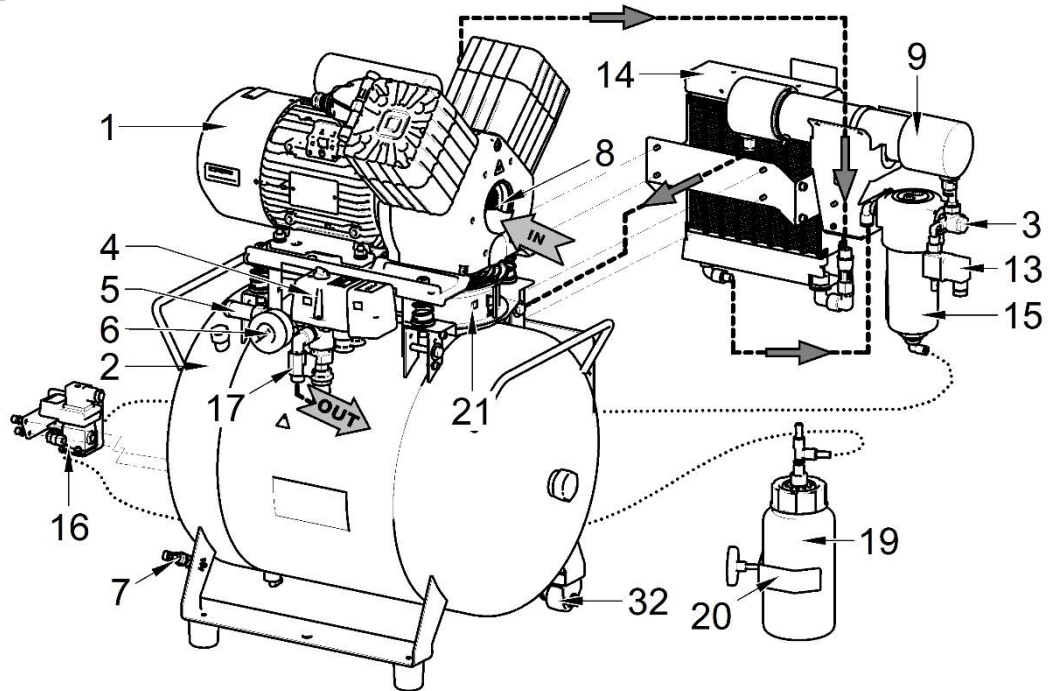


DK50 2V/50

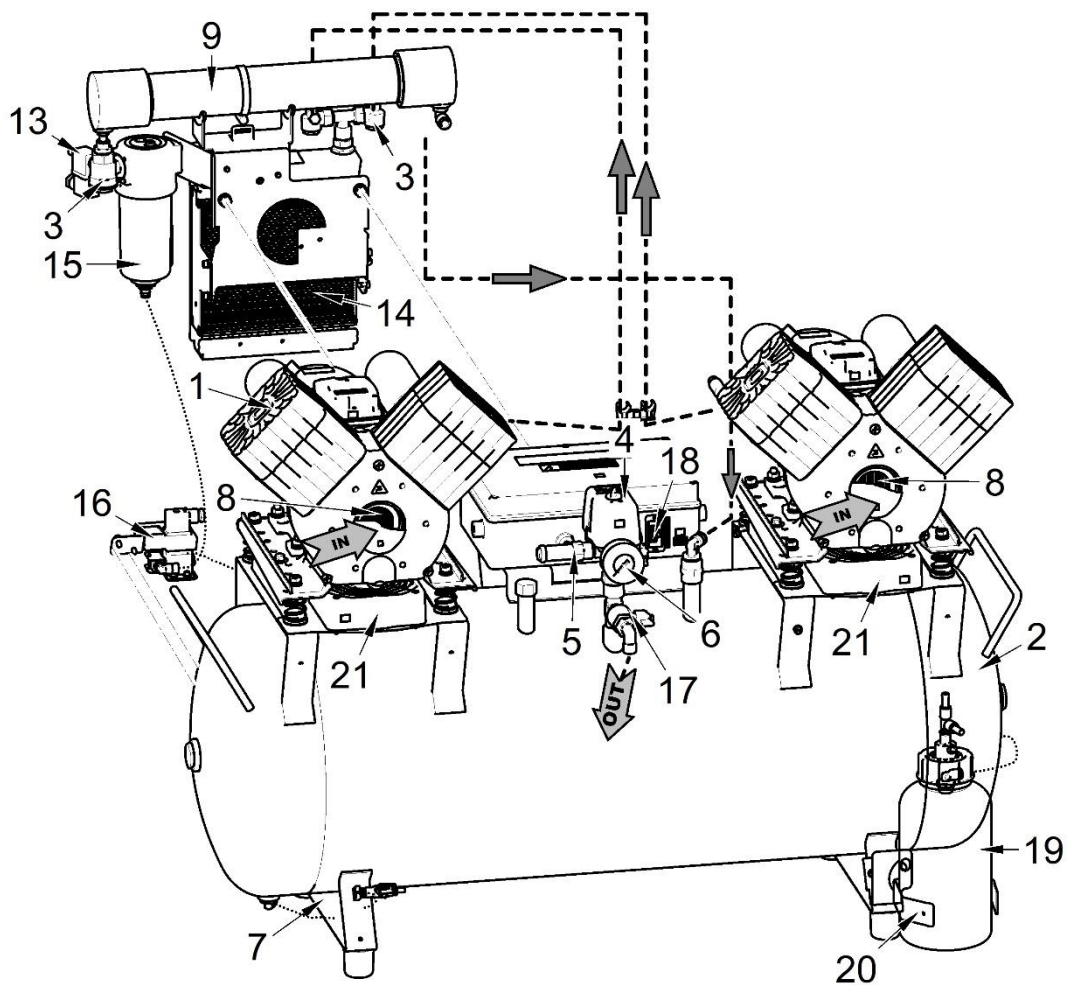


DK50 2x2V/110

Fig. 2: Compressor with MD dryer

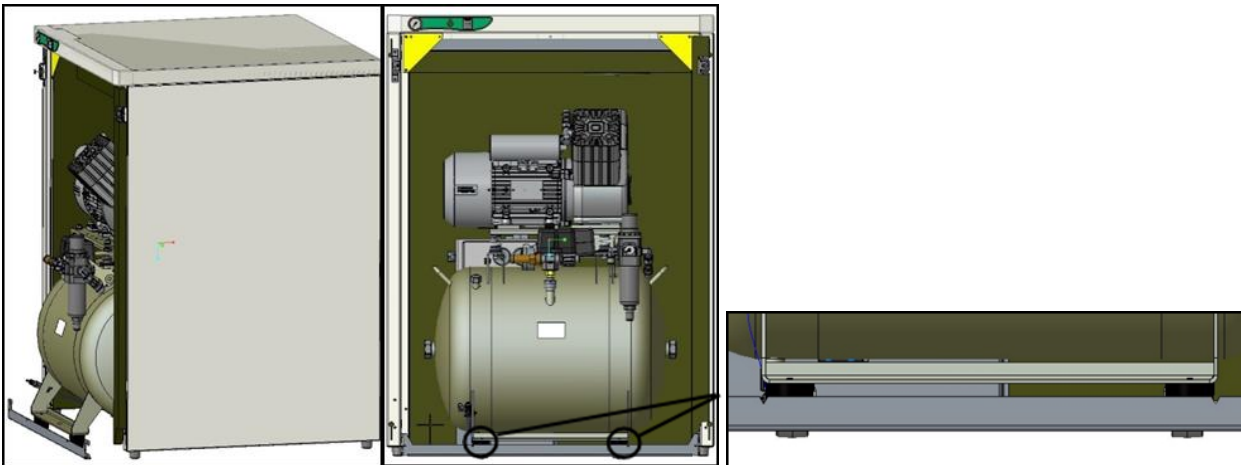
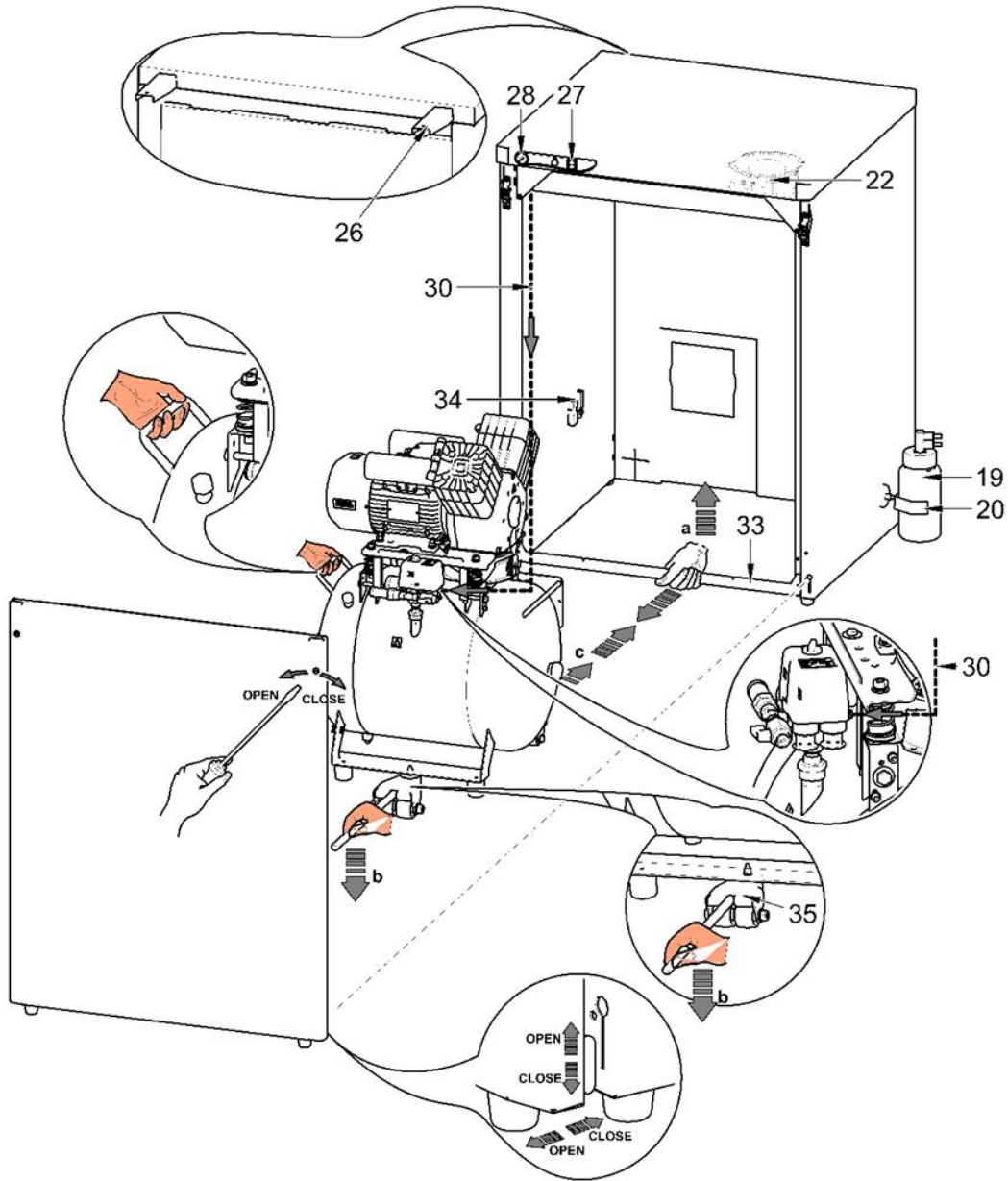


DK50 2V/50/M

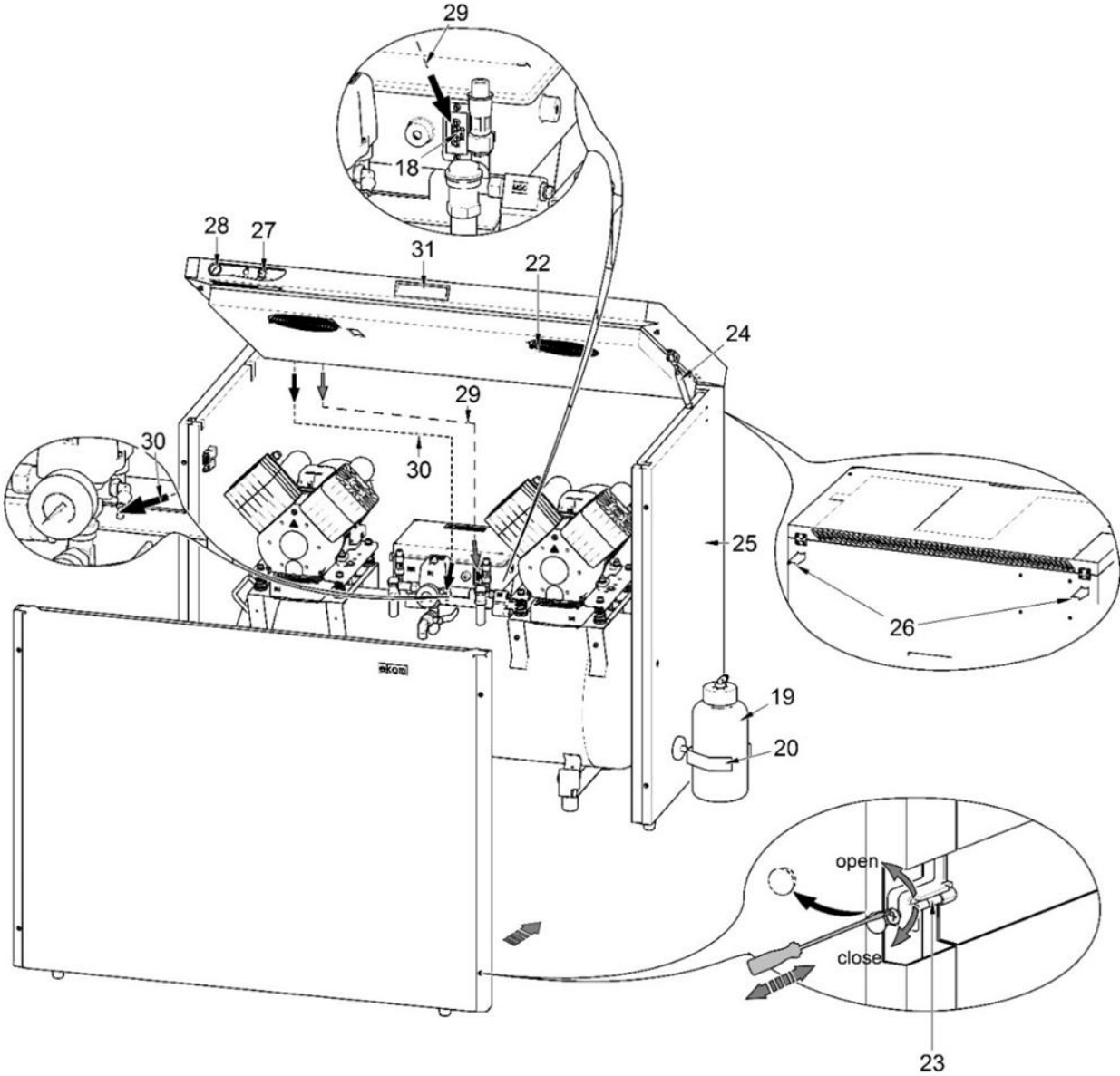


DK50 2x2V/110/M

Fig. 3: Cabinet



3A – DK50 2V/50S



3B – DK50 2x2V/110S

TECHNICAL DATA

Compressors are designed to operate in dry, ventilated and indoor dust-free rooms with the following climatic conditions:

Temperature from +5°C to +40°C

Relative humidity max. 70%

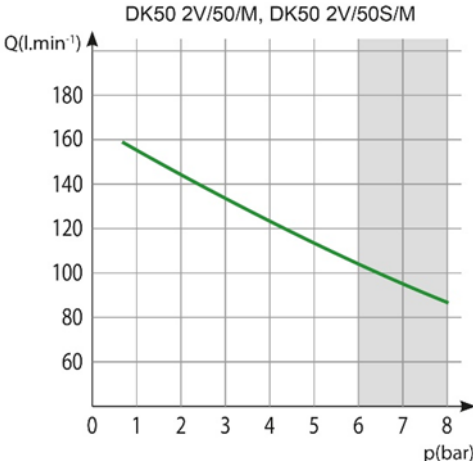
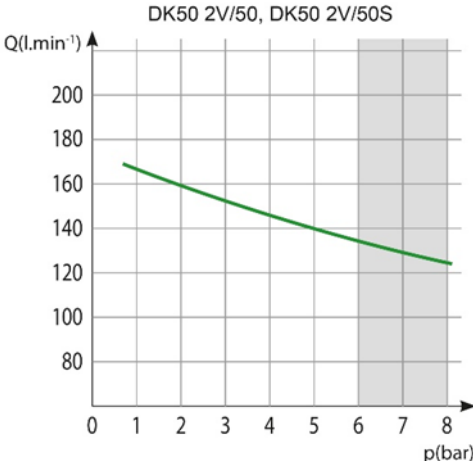
Working pressure 6 – 8 bar		DK50 2V/50		DK50 2V/50S		DK50 2V/50/M		DK50 2V/50S/M	
Nominal voltage Frequency ^{a)}	V, Hz	230,50 3x400, 50	230,60	230,50 3x400, 50	230,60	230,50 3x400, 50	230,60	230,50	230,60
Capacity at 6 bar (FAD)	l/min	135		135		104		104	
Working pressure ^{b)}	bar	6.0 – 8.0		6.0 – 8.0		6.0 – 8.0		6.0 – 8.0	
Rated current	A	8.6 3.8	9.2	8.8 4.0	9.4	8.7 3.8	9.3	8.9	9.7
Motor power	kW	1.2		1.2		1.2		1.2	
Air tank volume	l	50		50		50		50	
Air quality - filtration	µm	-		-		0.1		0.1	
Maximum operating pressure of safety valve	bar	9.0		9.0		9.0		9.0	
Noise level at 5 bar (L _{pA})	dB	≤67.0		≤51.5		≤69.0		≤55.0	
Operating mode	%	S1-100		S1-100		S1-100		S1-100	
PDP drying at 7 bar	°C	-		-		≤ +3		≤ +3	
Time to fill air tank from 0 to 7 bar	s	149		149		218		218	
Dimensions (net) w x d x h	mm	577x587x804		750x715x1015		577x628x804		750x715x1015	
Net weight	kg	58 54		108 105		61		114	

a) State the compressor variant in the order

b) For other range of pressure consult with the supplier

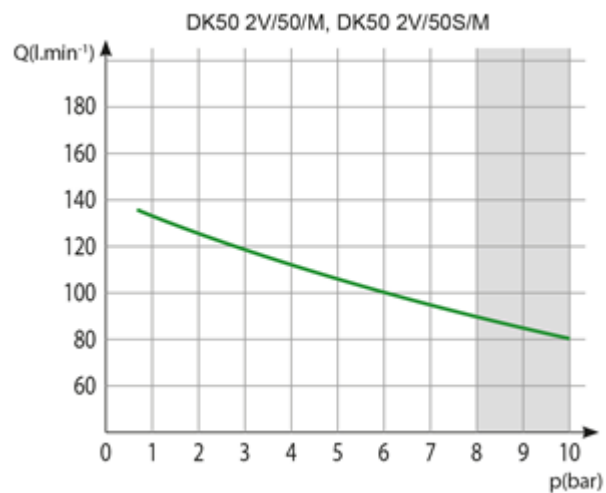
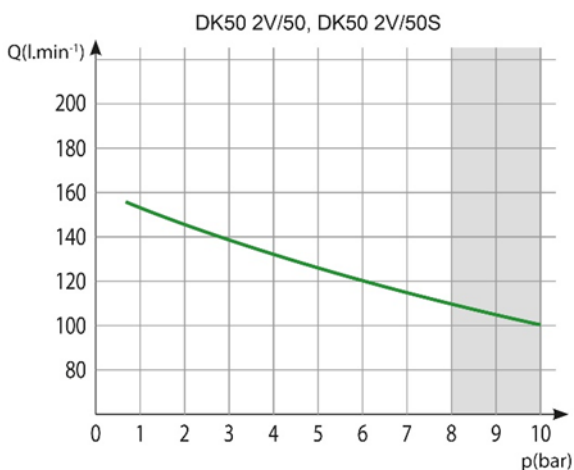
c) Weight value is only informative data and applies only to a product without any accessories

Dependence of compressor capacity on working pressure



Working pressure 8 – 10 bar		DK50 2V/50	DK50 2V/50S	DK50 2V/50/M	DK50 2V/50S/M
Nominal voltage Frequency ^{a)}	V, Hz	230, 50	230, 50	230, 50 3x400, 50	230, 50
Capacity at 8 bar (FAD)	l/min	110	110	90	90
Working pressure ^{b)}	bar	8.0 – 10.0	8.0 – 10.0	8.0 – 10.0	8.0 – 10.0
Rated current	A	8.4	8.6	8.5 4.6	8.7
Motor power	kW	1.2	1.2	1.2	1.2
Air tank volume	l	50	50	50	50
Air quality - filtration	µm	-	-	0.1	0.1
Maximum operating pressure of safety valve	bar	12.0	12.0	12.0	12.0
Noise level at 5 bar (L _{pA})	dB	≤67.0	≤51.5	≤69.0	≤57.0
Operating mode	%	S1-100	S1-100	S1-100	S1-100
PDP drying at 7 bar	°C	-	-	≤ +3	≤ +3
Time to fill air tank from 0 to 7 bar	s	226	226	250	250
Dimensions (net) w x d x h	mm	577x587x804	750x715x1015	577x628x804	750x715x1015
Net weight	kg	58	108	61	114

- a) State the compressor variant in the order
- b) For other range of pressure consult with the supplier
- c) Weight value is only informative data and applies only to a product without any accessories

Dependence of compressor capacity on working pressure


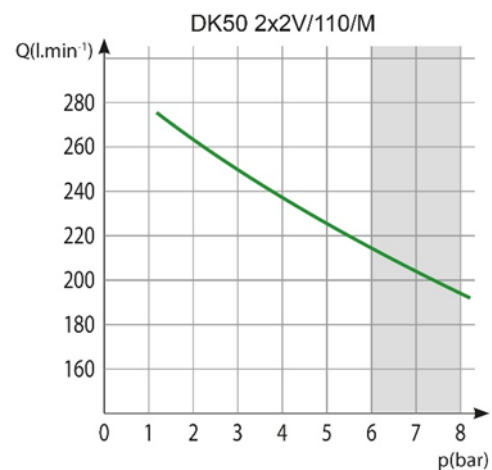
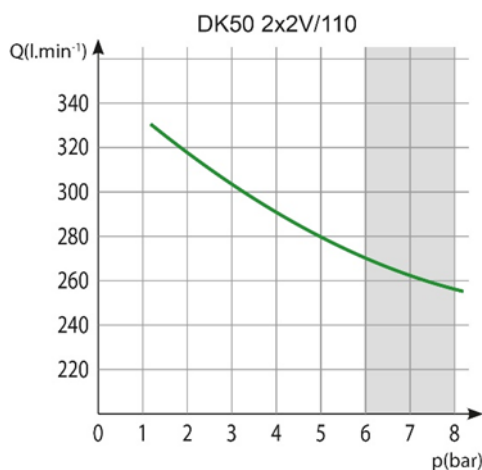
Working pressure 6 – 8 bar		DK50 2x2V/110		DK50 2x2V/110S		DK50 2x2V/110/M		DK50 2x2 V/110 S/M	
Nominal voltage Frequency ^{a)}	V, Hz	230,50 3x400, 230,60 50		230,50 3x400, 230,60 50		230,50 3x400, 230,60 50		230,50 3x400, 230,60 50	
Capacity at 6 bar (FAD)	l/min	270		270		215		215	
Working pressure ^{b)}	bar	6.0 – 8.0		6.0 – 8.0		6.0 – 8.0		6.0 – 8.0	
Rated current	A	15.2 8.0	18.5	15.5 8.4	18.8	15.3 8.0	18.7	15.6 8.4	19.0
Motor power	kW	2x1.2		2x1.2		2x1.2		2x1.2	
Air tank volume	l	110		110		110		110	
Air quality – filtration	µm	-		-		0.1		0.1	
Maximum operating pressure of safety valve	bar	9.0		9.0		9.0		9.0	
Noise level at 5 bar (L _{pA})	dB	≤73		≤55		≤73		≤56	
Operating mode	%	S1-100		S1-100		S1-100		S1-100	
PDP drying at 7 bar	°C	-		-		≤ +3		≤ +3	
Tie to fill air tank from 0 to 6 bar	s	159		159		198		198	
Dimensions (net) w x d x h	mm	1085x490x815		1200x730x990		1085x625x815		1200x730x990	
Net weight	kg	106 104		177 175		113 111		184 182	

a) State the compressor variant in the order

b) For other range of pressure consult with the supplier

c) Weight value is only informative data and applies only to a product without any accessories

Dependence of compressor capacity on working pressure



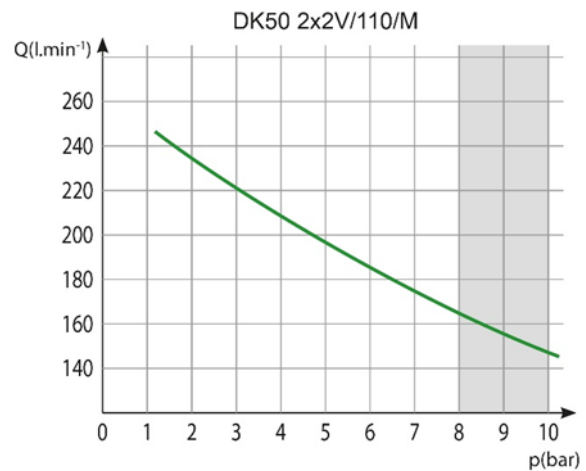
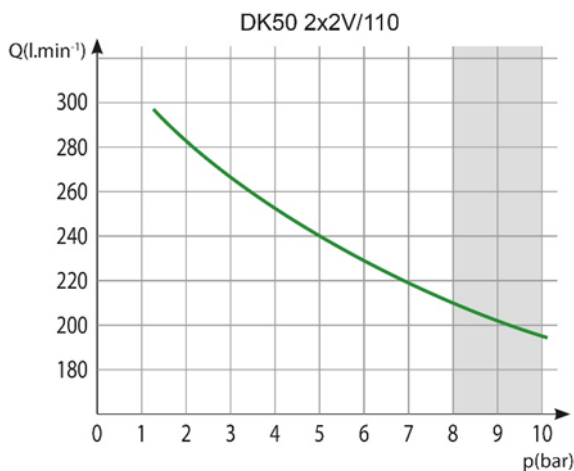
Working pressure 8 – 10 bar		DK50 2x2V/110		DK50 2x2V/110S		DK50 2x2V/110/M		DK50 2x2 V/110 S/M	
Nominal voltage Frequency ^{a)}	V, Hz	230, 50 3x400, 50	230,60	230,50 3x400, 50	230,60	230,50 3x400, 50	230,60	230,50 3x400, 50	230,60
Capacity at 8 bar (FAD)	l/min	210		210		165		165	
Working pressure ^{b)}	bar	8.0 – 10.0		8.0 – 10.0		8.0 – 10.0		8.0 – 10.0	
Rated current	A	14.7 8.5	17.9	14.9 8.9	18.2	14.8 8.5	18.0	15.0 8.9	18.3
Motor power	kW	2x1.2		2x1.2		2x1.2		2x1.2	
Air tank volume	l	110		110		110		110	
Air quality – filtration	µm	-		-		0.1		0.1	
Maximum operating pressure of safety valve	bar	12.0		12.0		12.0		12.0	
Noise level at 5 bar (L _{pA})	dB	≤73		≤55		≤73		≤56	
Operating mode	%	S1-100		S1-100		S1-100		S1-100	
PDP drying at 7 bar	°C	-		-		≤ +3		≤ +3	
Time to fill air tank from 0 to 6 bar	s	256		256		363		363	
Dimensions (net) w x d x h	mm	1085x490x815		1200x730x990		1085x625x815		1200x730x990	
Net weight	kg	110 108		181 179		117 115		188 186	

a) State the compressor variant in the order

b) For other range of pressure consult with the supplier

c) Weight value is only informative data and applies only to a product without any accessories

Dependence of compressor capacity on working pressure



FAD correction of capacity for altitude

Capacity given in the form of FAD („Free Air Delivery“) applies to the following conditions:

Altitude	0 m.n.m.	Temperature	20°C
Atmospheric pressure	101325 Pa	Relative humidity	0%

To calculate FAD compressor capacity in dependence on altitude, it is necessary to apply correction factor according to the following table:

Altitude [m.n.m.]	0 -1500	1501 - 2500	2501 - 3500	3501 - 4500
FAD correction factor	1	0,8	0,71	0,60

INSTALLATION



Risk of incorrect installation.

Only a qualified professional can install the compressor and place it into operation for the first time. His obligation is to train the operating personnel on the use and maintenance of the device. He shall confirm installation and training of operators by an entry into the installation record.

9. INSTALLATION CONDITIONS

- The compressor may only be installed and operated in dry, well-ventilated and dust-free rooms with conditions stated in technical data



Risk of damage to the device.

Do not operate the device in outdoor environment or in humid or wet rooms.



Explosion risk.

Do not install the device in any rooms, in which explosive gases, dusts or flammable liquids may be present.

- The compressor must be installed in such a way, that it is accessible at all times for operation and maintenance and label on the device is accessible.
- The compressor must stand on a flat, sufficiently stable base (be aware of the compressor weight, see technical data).



You may notice a “new product” odour when you first place the product into service (for a short period of time). This odour is temporary and does not impede the normal use of the product. Ensure the space is properly ventilated after installation.

10. COMPRESSOR ASSEMBLY

10.1. Manipulation and fixation removal

- Unpack the compressor from the packaging.
- Put the compressor at the place of operation (Fig. 4).

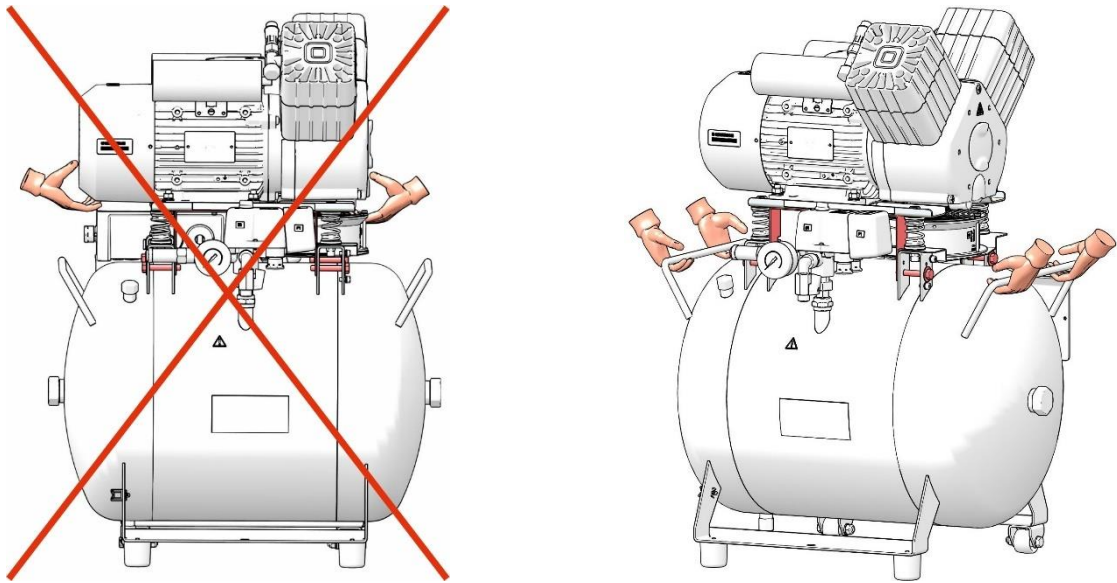


Use the compressor base for gripping, when manipulating with the compressor. Do not use any other compressor parts (pump, cooler, etc.) for gripping the compressor.

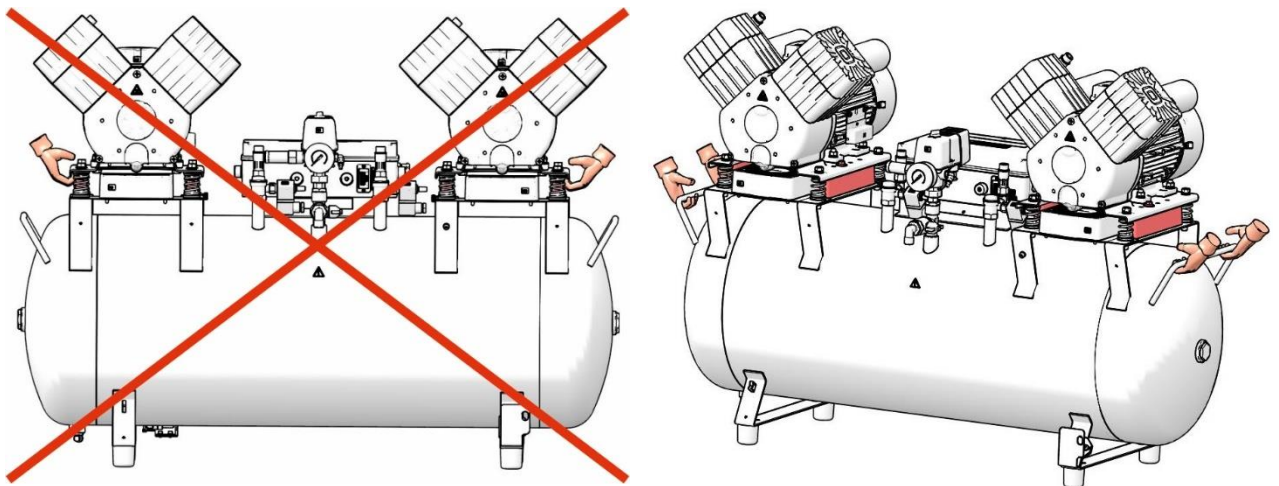


The number of persons required to handle the equipment must be matched to the weight of the device.

Fig. 4: Manipulation with the compressor



DK50 2V/50



DK50 2x2V/110

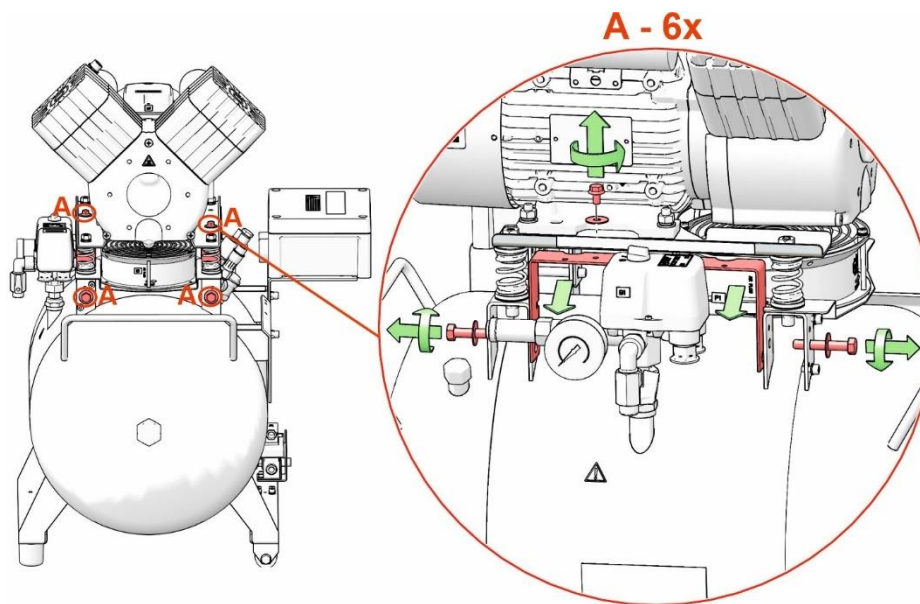
- Remove transport fixing elements from the pumps (Fig. 5).



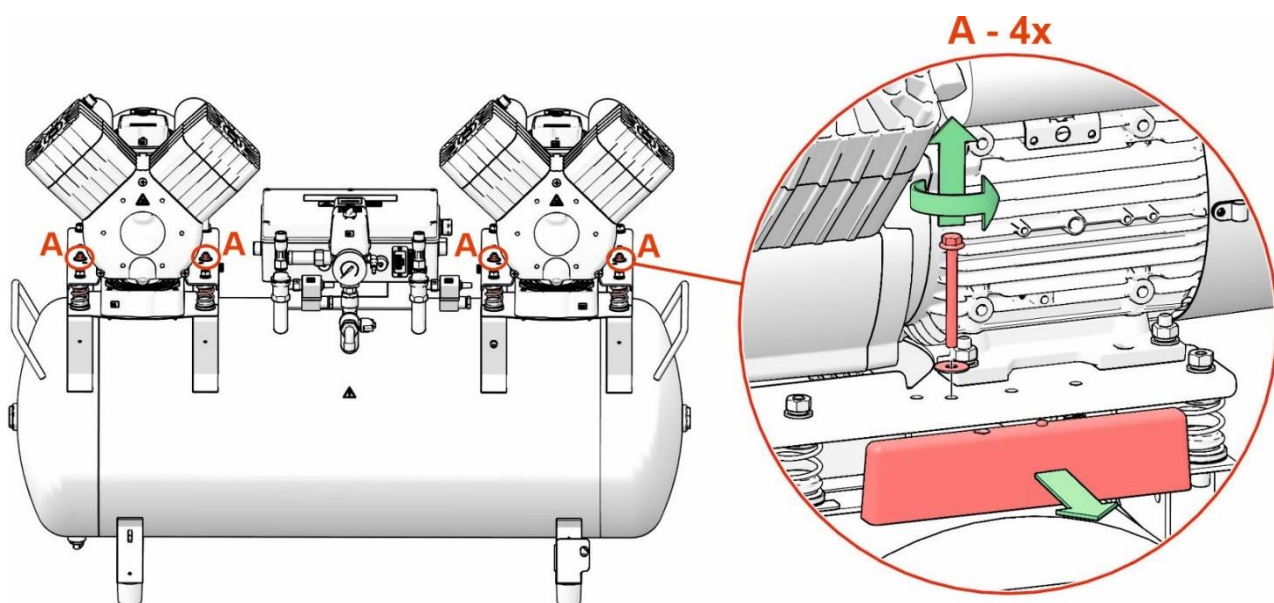
Prior to installation, ensure that the compressor is free of all transport packaging and stabilizers to avoid any risk of damage to the product.

Remove fixing elements of the pumps once the compressor has been assembled and balanced at the final installation place.

Fig. 5: Releasing the pump



DK50 2V/50



DK50 2x2V/110

10.2. Placement of the compressor in the cabinet

Disassembly cabinet door (DK50 2V/50 - Fig. 3)

- Remove the door held by 2 screws and disconnect the grounding lead.

Compressor placement

- Remove the connecting strip (33) in front of the cabinet.
- Before placing the compressor without the dryer (DK50 2V/50) into the cabinet, please follow Chapter 12.3 to add sound insulation foam into the cabinet.
- Insert the compressor into the cabinet using the positioning truck (35), place the connecting strip in front of the cabinet and adjust the position of the compressor so that the two “V” notches on the connecting strip align with the compressor legs.

- This puts the compressor in the right position for the cabinet. Insert the compressor into the cabinet only so far as to be able to install the connecting strip and so the compressor doesn't obstruct its installation.
- Insert the compressor with a dryer into the cabinet so that the dryer fan fits into the cooling tunnel opening in the cabinet. **WARNING**, do not insert the compressor down to the stop. For dryer versions of the compressor, the flow of cooling air into the cooler will be restricted and there is a risk of permanent damage to the dryer.
- Place the connecting strip (33) in its original position in the lower part of the cabinet.

Cabinet door installation

- Align the door with the cabinet, connect the grounding lead to the door and install the door to the cabinet using 2 screws.



A compressor with air dryer must not be inserted to the cabinet to the stop as there is a risk of permanent damage to the dryer.

Opening the upper cover (DK50 2x2V/110 - Fig. 3)

- Lift the upper cabinet cover grabbing it by its handle (31) so that the gas springs keep the cover open.



Be careful not to pinch your fingers when closing the cover on the cabinet.

Always lock with the quick release after closing the cover on the cabinet!

Removal of the front panel on the cabinet

- Remove the door held on by the 4 (four) M5 screws and disconnect the earthing conductor

Compressor placement

- Insert the compressor into the cabinet so the compressed air outlet is pointing towards the operator
- The dryer fan must be inserted into the ventilation tunnel in the cabinet on compressor models with a dryer

Cabinet door installation

- Align the door with the cabinet, connect the grounding lead to the door and install the door to the cabinet using 4 screws.

10.3. Adding sound-insulating material into the cabinet (DK50 2V/50)

A component from the sound-insulating material is to be installed in the opening of the cabinet of the compressor without a dryer.

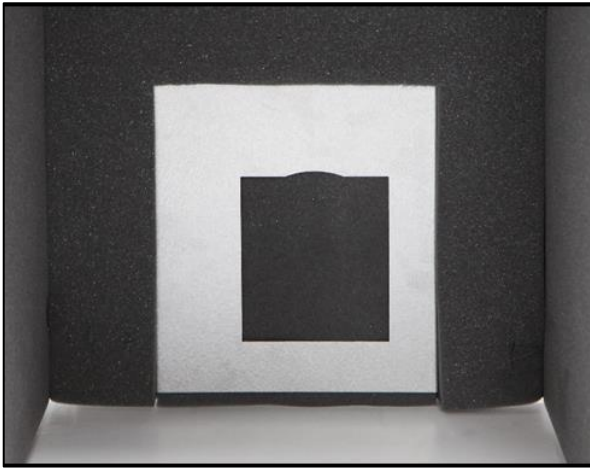
This component is provided in the basic equipment delivered with the product.

Fig. 6: DK50 2V/50S



A

B



C

10.4. Installation of condensate drain valve on cabinet (DK50 2x2V/110)

For compressor variant with cabinet install the drain cock (1) into a hole on the side of the cabinet and install a tube PA Ø8 / Ø6 (2). Insert the second end of the tube into the fitting (4) under the air tank; the valve (3) with the tube shall be dismantled from this fitting.

Blind the hole with a plug Ø16.5 at the opposite side.

The drain cock is part of the cabinet basic equipment. The condensate drain valve can be mounted on any side of the compressor cabinet.

Fig. 7: Installation of condensate drain valve on cabinet



11. PNEUMATIC CONNECTION

11.1. Connecting to the compressed air outlet

- Route the pressure hose from the compressed air outlet (1) to the connected equipment.
- When the compressor is in the cabinet, route out the power cord through the opening in the rear wall of the cabinet.

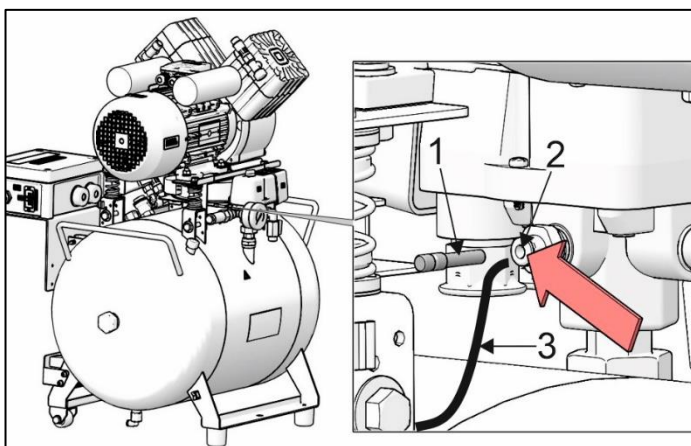


Fig. 8: Connection of pressure hose

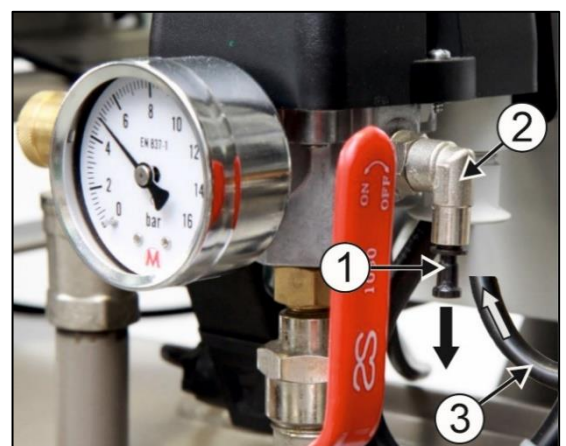
11.2. Connecting the cabinet pressure gauge to the compressor

- Remove the plug (1) from the threads (2) on the pneumatic block of the compressor.
- Connect the cabinet pressure gauge hose (3) to the threaded fitting.

Fig. 9: Connecting the cabinet pressure gauge to the compressor



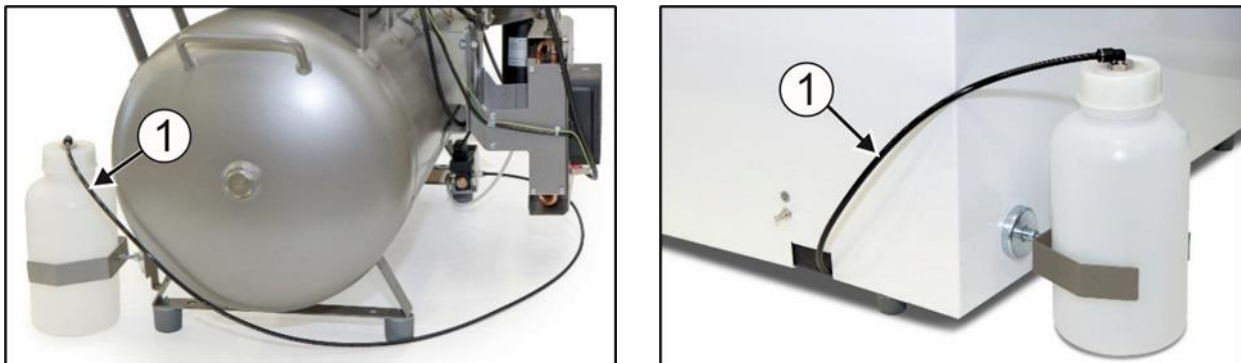
DK50 2V/50S
DK50 2V/50S/M



DK50 2x2V/110S
DK50 2x2V/110S/M

11.3. Connecting the condensate vessel

- Connect the drain hose (1) to the condensate vessel on compressors with dryers (Fig. 10)
- Route the hose through the opening in the rear wall of the cabinet for compressor models with a dryer and connect it to the vessel.

Fig. 10: Connecting the condensate vessel

Risk of damage to pneumatic components.

Air hoses must not be broken.

12. ELECTRICAL CONNECTION

- The product is delivered with a cord equipped with a plug with earthing pin.
- Keep the socket easily accessible to ensure that the device can be safely disconnected from the mains.
- Connection to the power distribution cabinet must be max.16 A



Risk of electric shock.

it is necessary to follow all local electrotechnical regulations. The mains voltage and frequency must comply with the data stated on the device label.



Risk of fire and electric shock.

Electrical cable must not be in contact with hot compressor components.



Risk of fire and electric shock.

Electrical cord must not be broken.

- Connect the pin for equipotential bonding 6Ø mm (1) to the electrical circuit using the defined method under valid electrical engineering regulations
- The socket for equipotential bonding (2) is an accessory and is not provided in the basic package.

**Fig. 11: Equipotential bonding**

- Mount the connector of the grounding conductor on the door and screw on the cabinet.

Power supply connection – DK50 2x2V/110

Supply mains	Type of electrical conductor
230V/50 (60) Hz	3Gx1.5x4000
400V/50 (60) Hz	5Gx1.5x4000

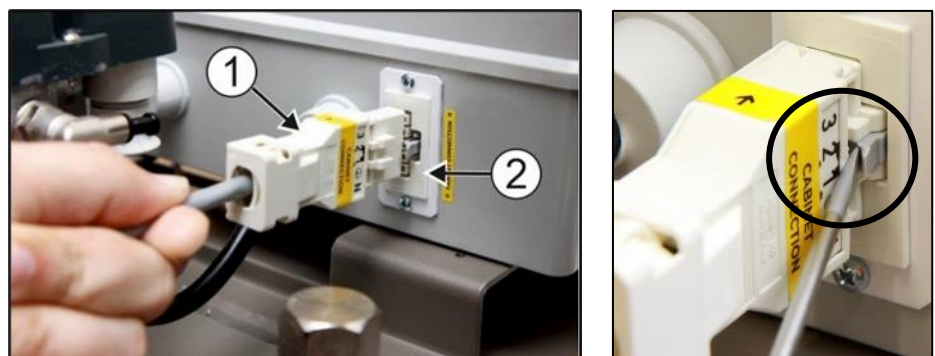
12.1. Connecting a compressor not installed in a cabinet

- Insert the mains plug into a rated mains socket.
- The compressor is ready for operation.

12.2. Connecting a compressor installed in a cabinet

- Route the mains plug through the opening in the rear wall of the cabinet for cabinet-mounted compressors.
- Connect the cabinet electrically to the compressor by inserting the provided power cord with connector (1) into an outlet (2). (Fig. 8)
- Disconnect the cabinet electrically from the compressor by pulling the connector (1) from the outlet while the latch is released.

Fig. 12: Connect the cabinet to the compressor



13. COMMISSIONING

- Check if all fixing elements used during transport have been removed.
- Check correct connection of compressed air (see chapter 11).
- Check correct connection to the mains (see chapter 12).
- Check position of the circuit breaker switch, it must be in position „I“. If it is in position „0“, turn the switch (4) to position „I“. (Fig. 13).
- On DK50-10S/M (8 - 10bar) compressor, switch the switch (4) on the front side of the cabinet to position „I“, the green light indicates the device status in operation. (Fig. 13)
- Check connection of the cabinet connector to the compressor. (Fig. 12)
- Check connection of the cabinet manometer hose to the pneumatic block of the compressor.. (Fig. 9)

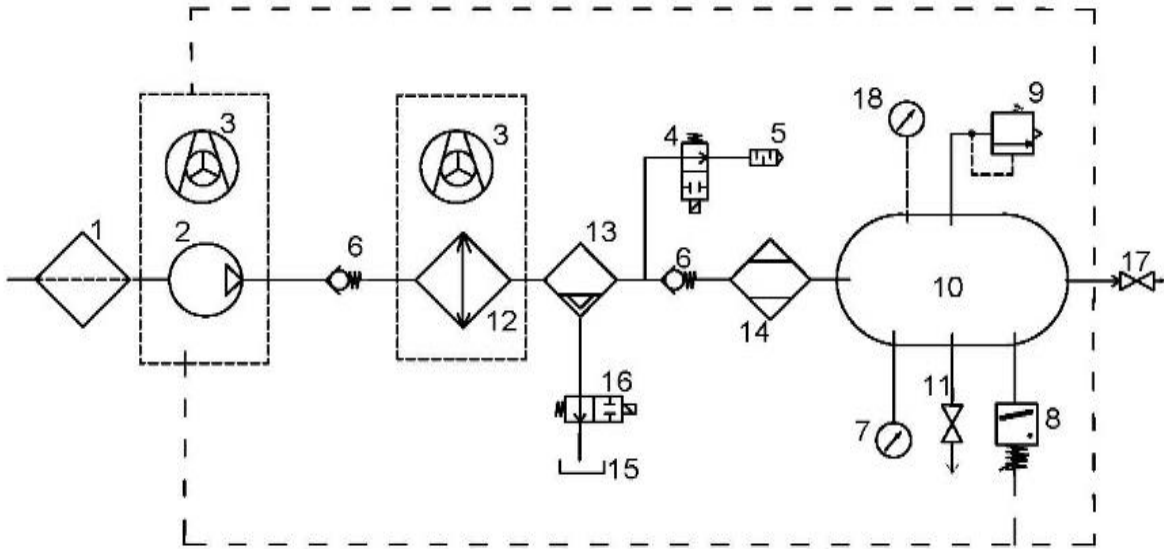


The compressor is not equipped with a backup power supply.

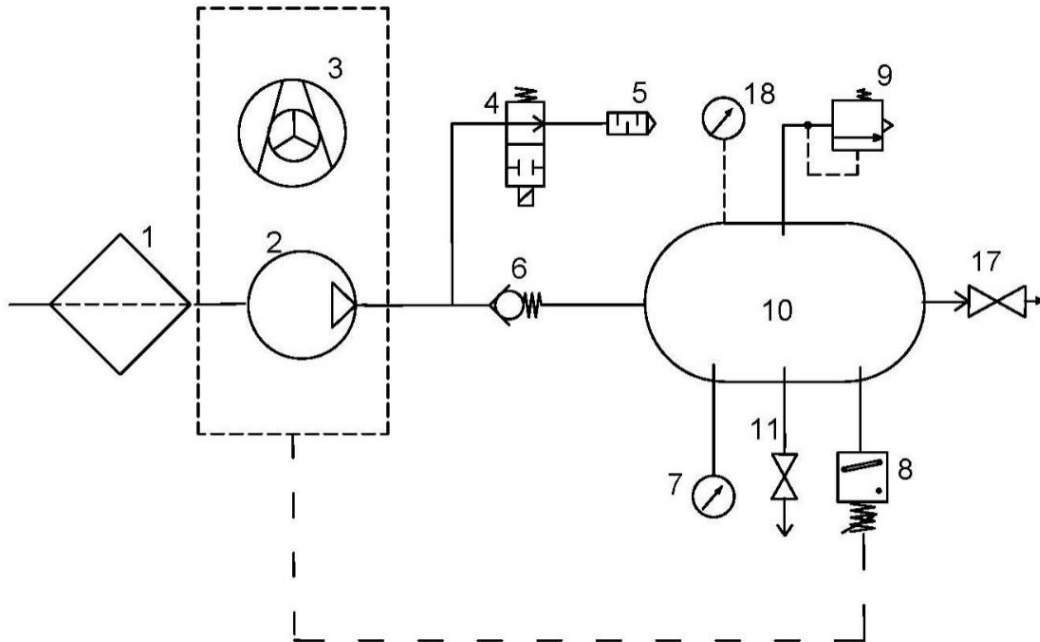
14. PNEUMATIC AND ELECTRICAL DIAGRAMS

14.1. Pneumatic diagrams

DK50 2V/50/M

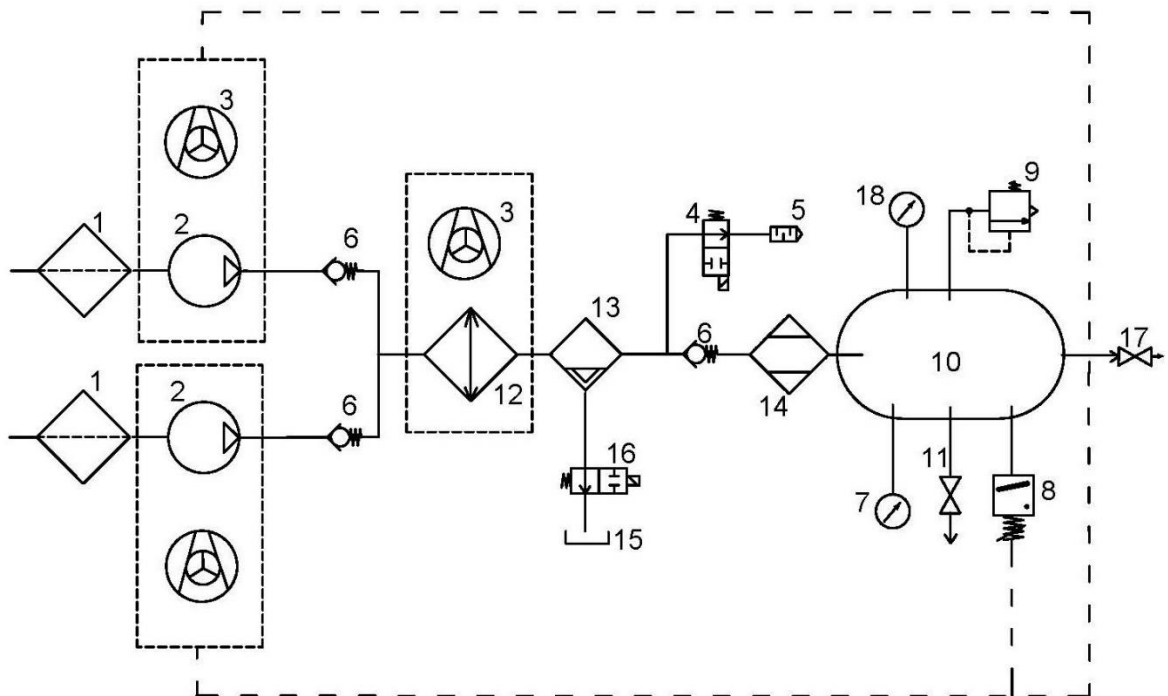


DK50 2V/50



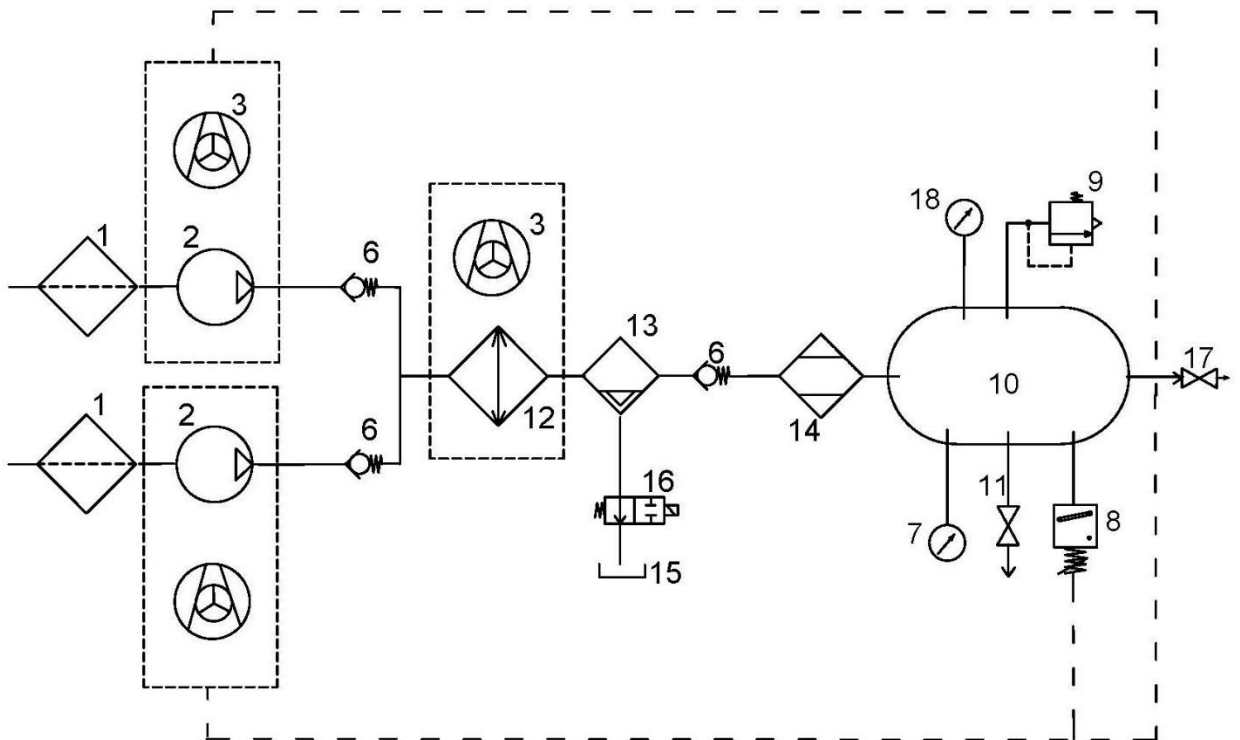
DK50 2x2V/110/M

230V



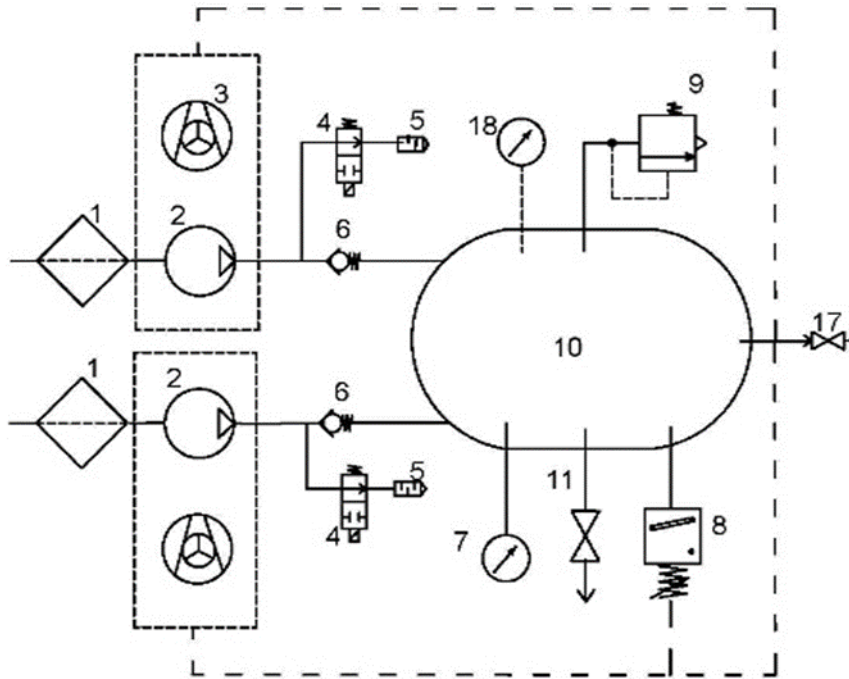
DK50 2x2V/110/M

400V



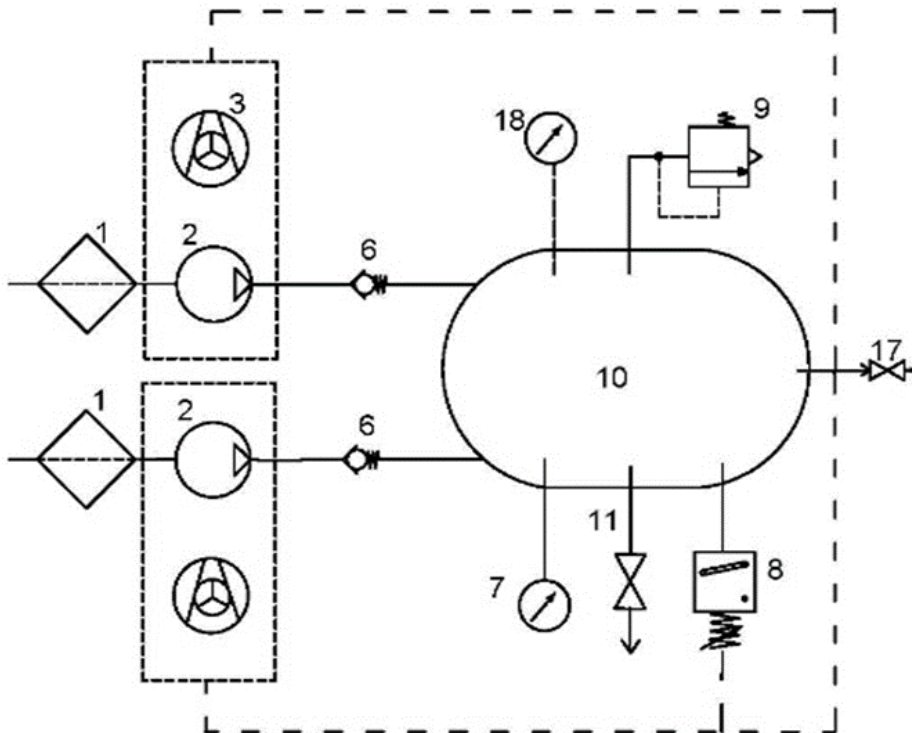
DK50 2x2V/110

230V



DK50 2x2V/110

400V



Description to pneumatic diagrams:

- | | | | |
|---|------------------|----|---------------------------------|
| 1 | Inlet filter | 10 | Air tank |
| 2 | Compressor | 11 | Drain valve |
| 3 | Fan | 12 | Cooler |
| 4 | Relief valve | 13 | Coalescence filter |
| 5 | Noise silencer | 14 | Membrane filter |
| 6 | Non-return valve | 15 | Condensate collection vessel |
| 7 | Pressure gauge | 16 | Condensate drain solenoid valve |
| 8 | Pressure switch | 17 | Outlet valve |
| 9 | Safety valve | 18 | Cabinet pressure gauge |

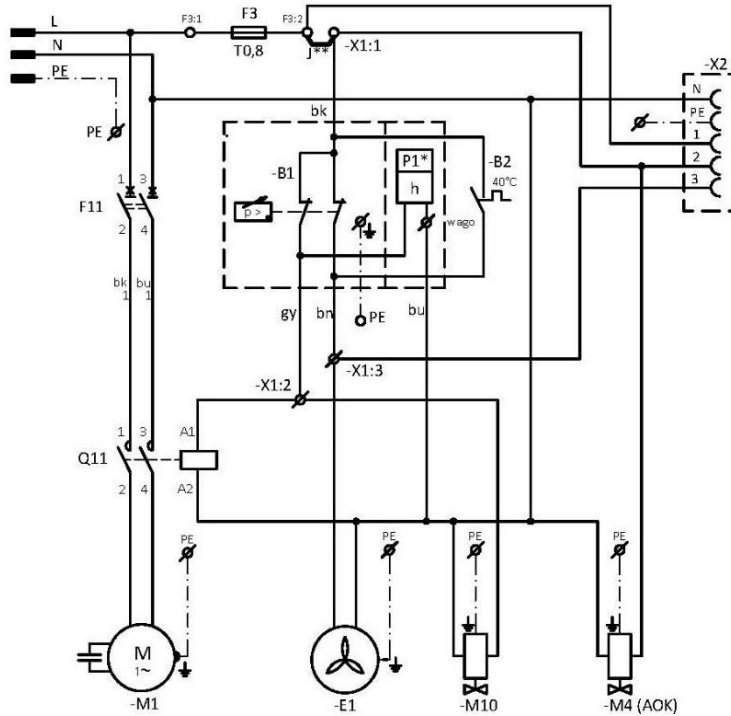
14.2. Electrical diagrams

DK50 2V/50

6 - 8 bar, 8 - 10 bar

1/N/PE ~ 230V/50Hz, 230V/60Hz

ELEKTRICAL OBJECT OF 1st. CAT.

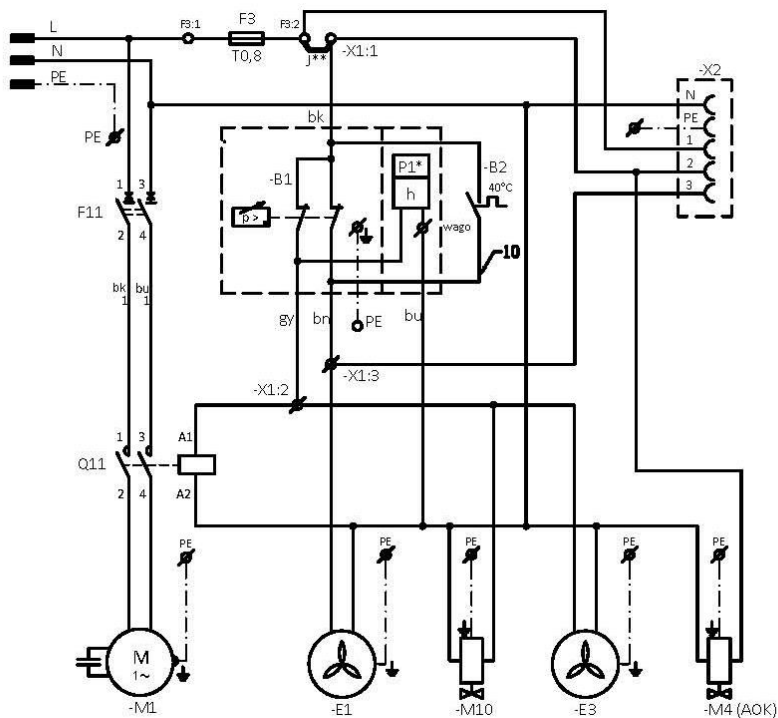


DK50 2V/50/M

6 - 8 bar, 8 - 10 bar

1/N/PE ~ 230V/50Hz, 230V/60Hz

ELEKTRICAL OBJECT OF 1st. CAT.



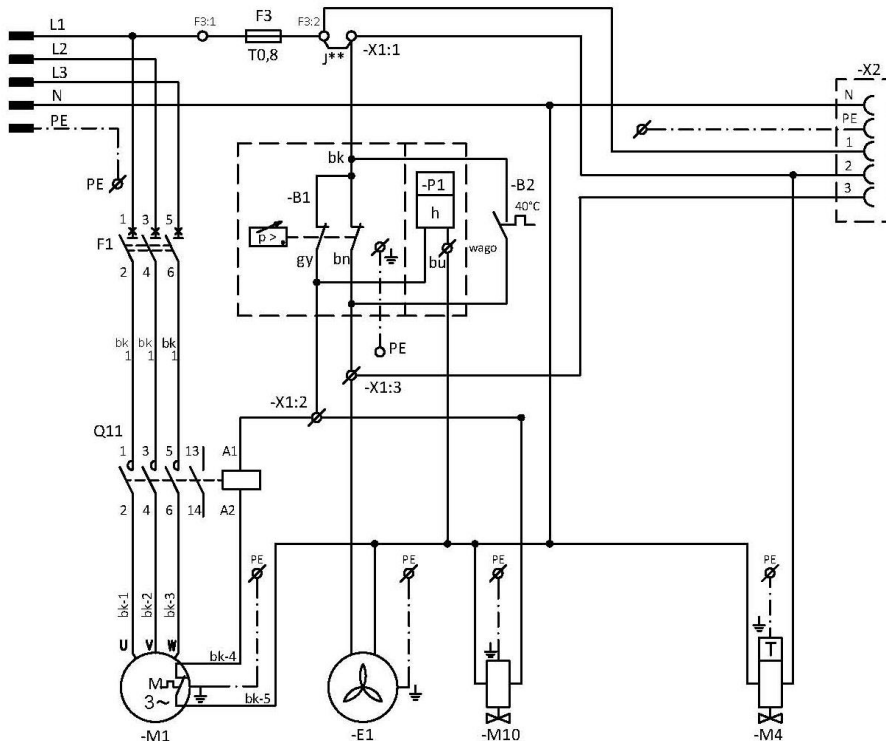
DK50 2V/50

6 - 8 bar

1/N/PE ~ 400V 50 Hz

ELECTRICAL MAINS TN-S [TN-C-S]

ELEKTRICAL OBJECT OF 1st. CAT.



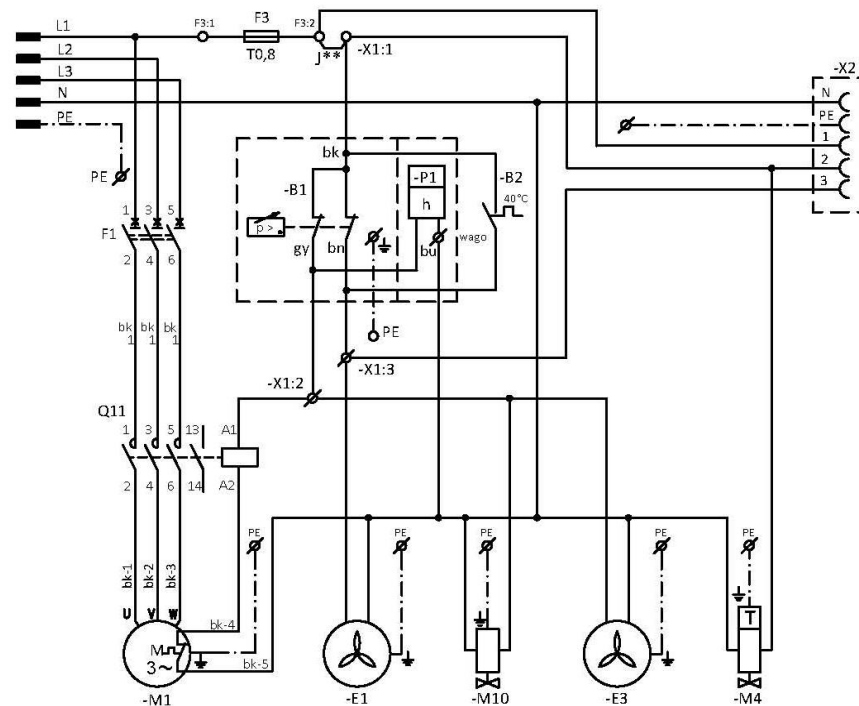
DK50 2V/50/M

6 - 8 bar

1/N/PE ~ 400V 50 Hz

ELECTRICAL MAINS TN-S [TN-C-S]

ELEKTRICAL OBJECT OF 1st. CAT.

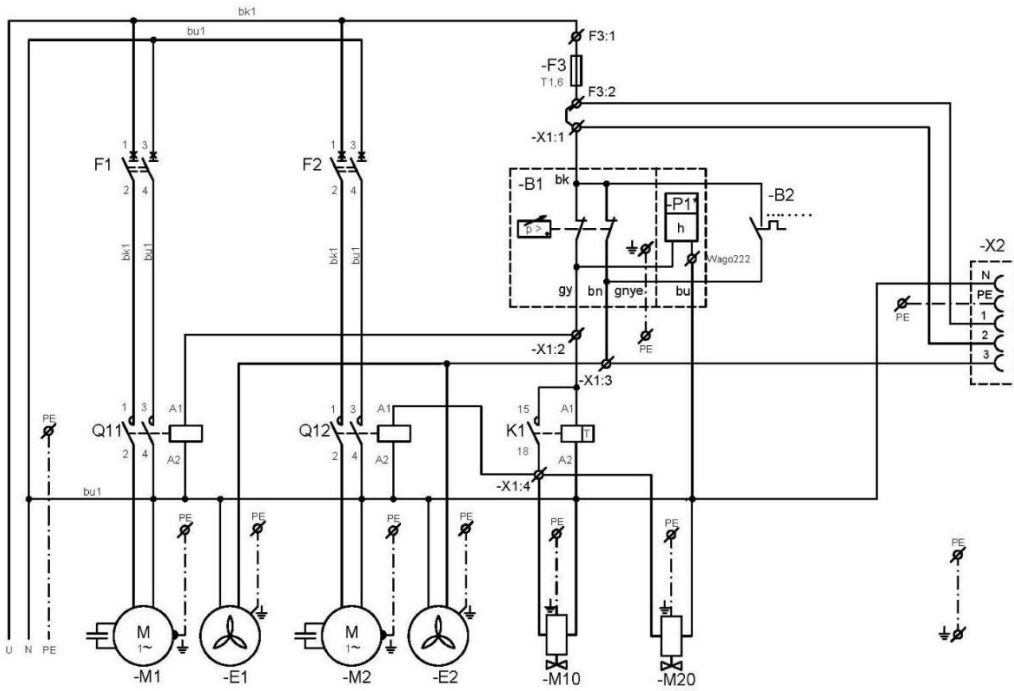


DK50 2x2V/110

5 - 7 bar, 6 - 8 bar, 8 - 10 bar

1/N/PE 230 V, 50/60 Hz

ELEKTRICAL OBJECT OF 1st. CAT

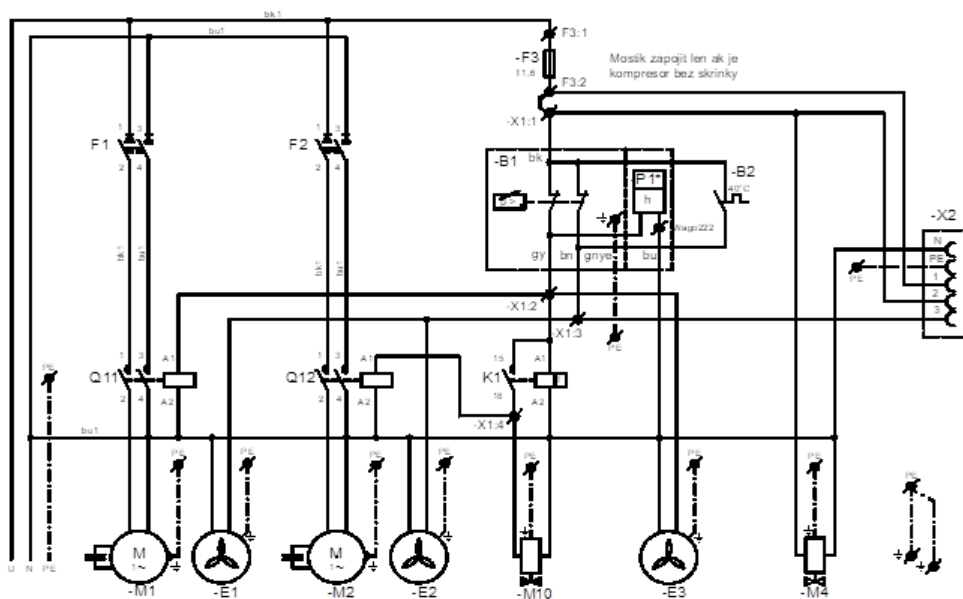


DK50 2x2V/110/M

5 - 7 bar, 6 - 8 bar

1/N/PE 230 V, 50/60 Hz

ELEKTRICAL OBJECT OF 1st. CAT.

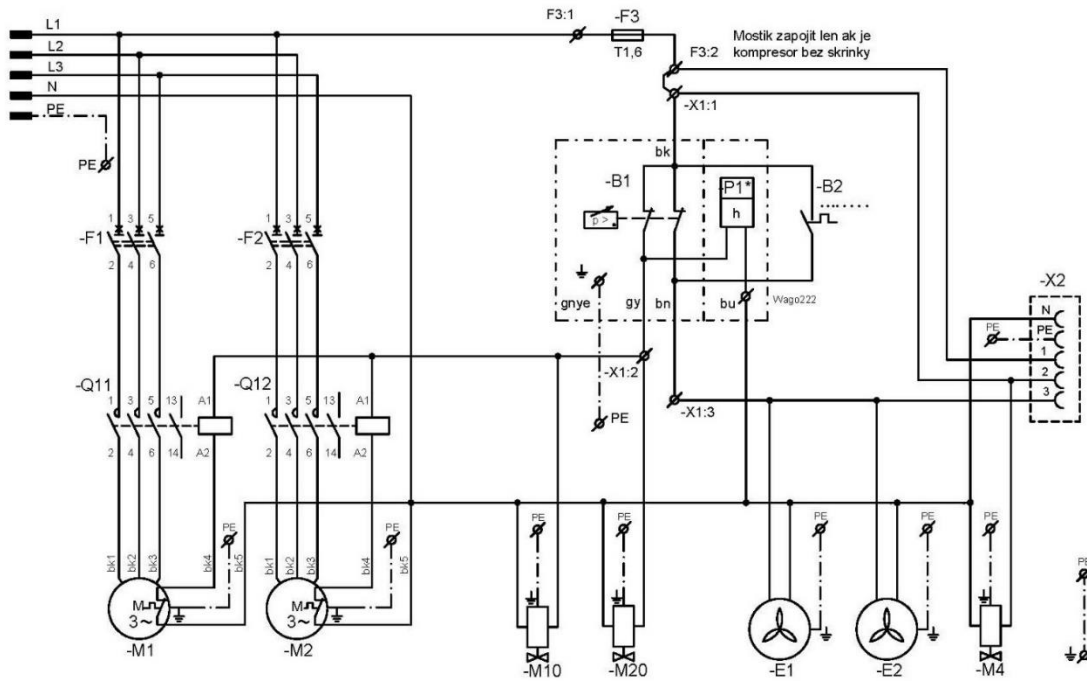


DK50 2x2V/110

5 - 7 bar, 6 - 8 bar, 8 - 10 bar

1/N/PE 230 V, 50/60 Hz

ELEKTRICKAL OBJECT OF 1st. CAT



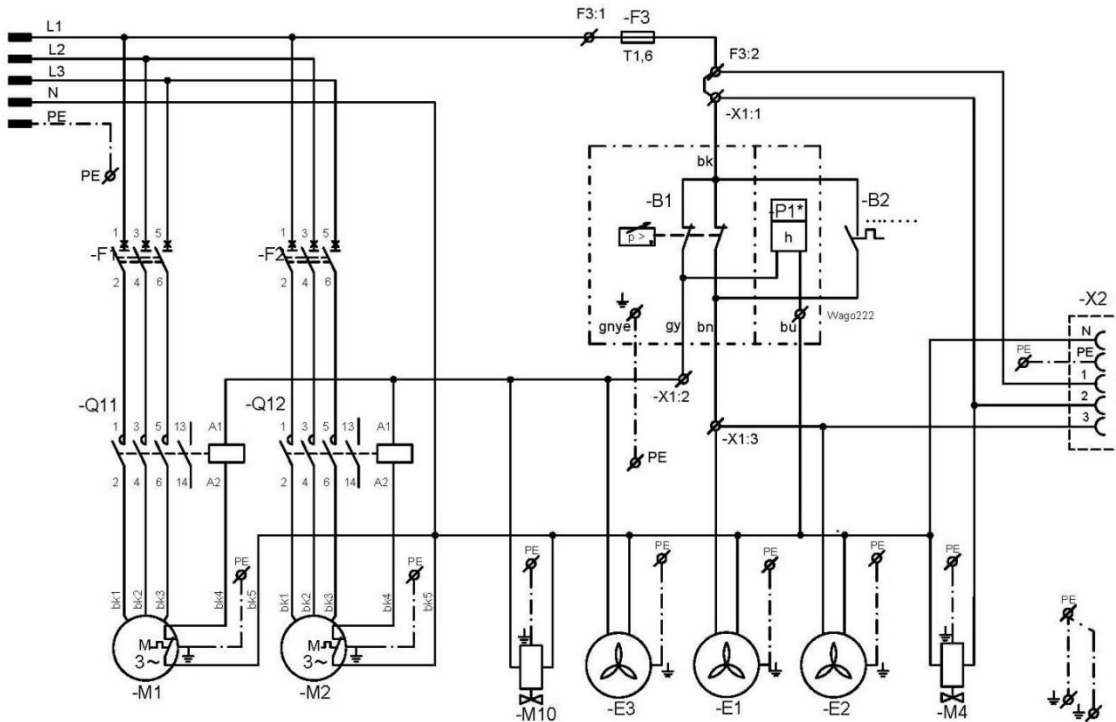
DK50 2x2V/110/M

5 - 7 bar, 6 - 8 bar, 8 - 10 bar

1/N/PE 230 V, 50/60 Hz

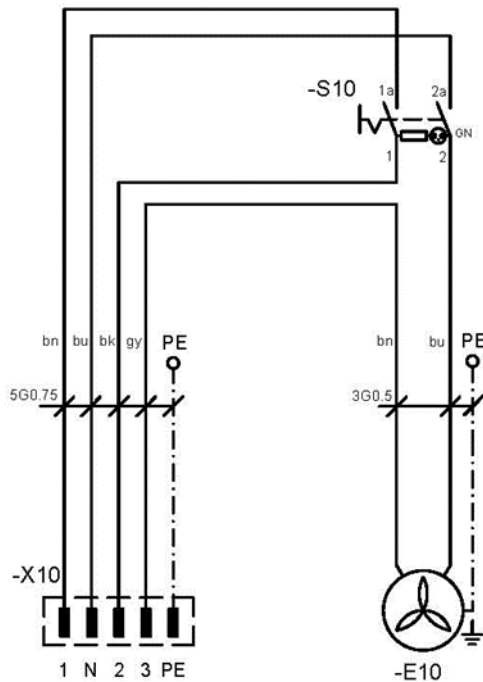
ELECTRICAL MAINS TN-S [TN-C-S]

ELECTRICAL OBJECT OF 1st. CAT.

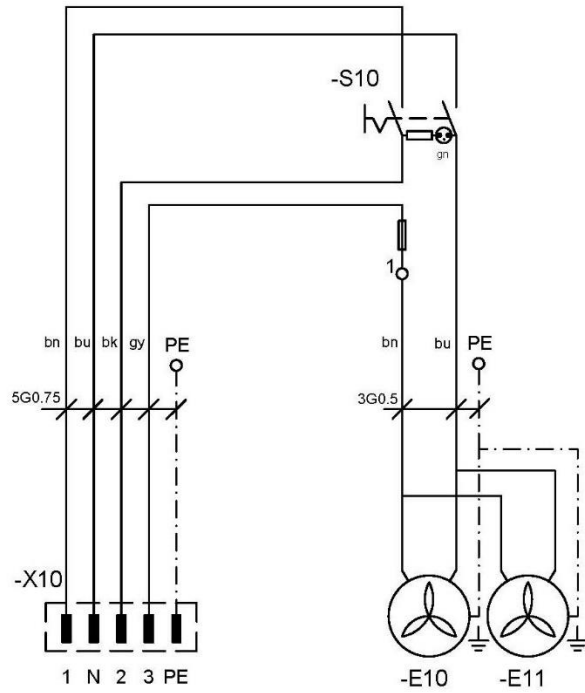


Compressor cabinet

ELEKTRICTRICAL OBJECT OF 1st. CAT.



DK50 2V/50S



DK50 2x2V/110S

Legend for electrical diagram

M1,M2	Compressor motor	B1	Pressure switch
E1,E2	Compressor fan	X1	Terminal strip
E3	Dryer fan	M4	Condensate drain valve
M10,M20	Relief valve	P1*	Hour meter
B2	Temperature switch	S10	Switch
E10,E11	Cabinet fan	K1	Timer relay
X10	Connector	F1,2	Breaker
X2	Socket	F3	Fuse
		Q11,12	Contactors

Note:

- J** - Only connect the jumper for compressors without cabinet (see chapter 17.10)
- P1* - Hour meter installed only for the 8-10bar compressor model

OPERATION

THE EQUIPMENT MAY ONLY BE OPERATED BY THE TRAINED STAFF!



Risk of electric shock

In case of any danger, disconnect the compressor from the mains (pull out the mains plug).



Risk of burn or fire.

During compressor operation, the pump parts may heat to temperatures dangerous for contact with persons or materials.



Warning – compressor is controlled automatically.

Automatic start-up. When pressure in the pressure tank drops to switch-on pressure, the compressor automatically switches on. The compressor automatically switches off, when pressure in the air tank reaches the switch-off pressure.



Hazard of damage to pneumatic components.

Working pressures of the pressure switch set by the manufacturer must not be changed. If the compressor operates at higher working pressure than the switch-on pressure, it means that the air consumption is too high (see Chapter Malfunctions)



Hazard of damage to dryer.

When the dryer is operated at ambient temperature that is higher than maximum operating temperature stated in Technical data, the dryer can be damaged.



Required drying performance can only be achieved when the defined operating conditions are followed.

Drying performance decreases and the achieved dew point drops if the dryer is operated at any pressure below the minimum working pressure.



During longer operation of the compressor, the temperature in the surrounding of the compressor increases above 40 °C and the cooling fan switches on automatically. After cooling the space below 32 °C, the fan switches off.

15. SWITCHING THE COMPRESSOR

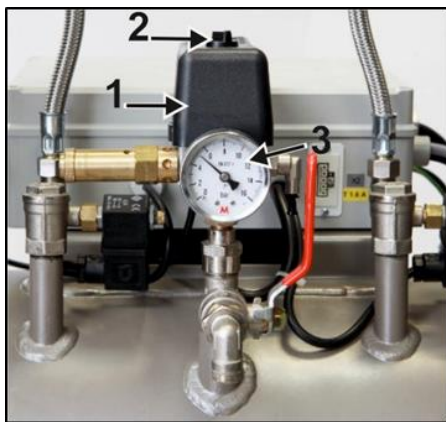
Start the compressor (without a cabinet) at the pressure switch (1) by turning the switch (2) to position "I." This starts the compressor and fills the tank to the switching off pressure, which then shuts off the compressor.

Start the compressor (with a cabinet) at the switch (4) on the front side of the cabinet, the indicator will turn green. This starts the compressor and fills the tank to the switching off pressure, which then shuts off the compressor.

The compressor operates in automatic mode, switched on and off by the pressure switch, depending on compressed air consumption.

Check the values of switch-on and switch-off pressure using the pressure gauge (3). Tolerance of $\pm 10\%$ is acceptable. Pressure in the air tank must not exceed the allowed operating pressure.

Fig. 13: Switching the compressor



The compressor starts to operate according to the description of operation as follows:

- **Compressor (without dryer)** – when first started and put into operation, the compressor fills the air tank to the switch-off pressure and the pressure switch turns off the compressor. Then the compressor operates in automatic mode, switches on and off depending on compressed air consumption.
- **Compressor with dryer** – the compressor operates in the same manner as above, only the compressed air passes through the cooler that removes moisture from the compressed air.



Risk of damage to pneumatic parts.

The pressure switch (1) was set up by the manufacturer and any other changes to its settings may be performed only by a qualified technician trained by the manufacturer.

16. SWITCH OFF THE COMPRESSOR

- Switching off the compressor due to service or any other reason shall be performed using the pressure switch (1) by turning the switch (2) to position „0“ (Fig. 13) and **pulling out the mains plug from the socket**. This disconnects the compressor from the mains supply.
- Vent the pressure in the air tank to zero by opening the drain valve. (Fig. 7).

PRODUCT MAINTENANCE**17. PRODUCT MAINTENANCE**

The operator should carry out device checks regularly in the intervals defined by applicable regulations. Test results must be recorded.

The device has been designed and manufactured to keep its maintenance to a minimum. For correct and reliable operation of the compressor perform the following operations:



Risk of servicing by persons without required qualification.

Repair works beyond standard maintenance (see chapter.17.1) may only be performed by a qualified technician (organization authorized by the manufacturer) or manufacturer's customer service.

Standard maintenance works (see chapter 17.1) may only be carried out by a trained operator.

Only use spare parts and accessories approved by the manufacturer.



Risk of injury and damage to the device.

Before any maintenance work, it is necessary to:

- **check, if it is possible to disconnect compressor from the supplied equipment, so that there is no risk of damage to a person using the given appliance or any other material damages**
- **switch off the compressor**
- **disconnect it from the mains (pull out the mains plug)**
- **vent the compressed air from the air tank**



Risk of injury when venting the compressed air.

Protect eyesight – wear goggles when venting the compressed air from the compressor pneumatic system (air tank).



Risk of burn.

Pump components (head, cylinder, pressure hose) have high temperature during and shortly after compressor operation – do not touch these components!

Let the device cool before any product maintenance, service or connection/disconnection of pressurized air!



The removed grounding conductor during service must be connected back to the original position after completing the service.

- For any maintenance or repair work, the compressor may be removed from the cabinet by pulling it from the cabinet (on rolling casters as much as the cord between the compressor and the cabinet allows). See also chap. 17). The required maintenance or repair work may then be performed.
- If the cord between the compressor and the cabinet becomes disconnected (by pulling the mains plug, chap. 12.2), the compressor shall not be functional. In order to bring the compressor into function again, please follow chap. 12.2 or 17.10 or 0.

17.1. Maintenance intervals

Time interval ^{e)}	50 Hz		once a day		once a week		once a year		once every 2 years		2000 hours		4000 hours		6000 hours		8000 hours		10000 hours		12000 hours		Chap.	Spare parts set	Performed by
	60 Hz	once a day	once a week	once a year	once every 2 years	1600 hours	3200 hours	4800 hours	6400 hours	8000 hours	9600 hours														
Check of product operation		x																				17.2	-	operator	
Drain condensate from air tank ^{b)} - at high humidity		x																				17.5	-	operator	
Drain condensate from the air tank ^{b)} - at normal humidity			x																			17.5	-	operator	
Check of product function			x																			8	-	operator	
Check of pneumatic connections leakage and device inspection				x																		17.3	-	qualified technician	
Check of electrical connection				x																		17.4	-	qualified technician	
Check of fan and cooler				x																		17.9	-	qualified technician	
Replacement of filter element in dryer filter DK50 2x2V/110				x																		17.8	025200305-000	qualified technician	
Replacement of filter element in dryer filter DK50 2V/50				x																		17.8	025200304-000	qualified technician	
Check of safety valve				x																		17.6	-	qualified technician	
Replacement of pump inlet filter and pre-filter 2V ^{a)}				x																		17.7	025200126-000 025200150-000	qualified technician	

^{a)} data is in hours, if not available, data is in years

^{b)} applies to compressor without dryer

^{c)} time interval reduces by 20 % for compressor variants 60 Hz (2000h./1600h., 4000h./3200h., 6000h./4800h., 8000h./6400h., 10000h./8000h., 12000h./9600h.)

17.2. Check of product operation

- Check pump condition – the pumps must operate evenly without excessive vibrations or noise. If there is any negative result, find the cause of the given condition or call service engineers.
- Check fans operation (visually) – the fans must be operating when the fans are running. If there is a negative result, look for the cause of the given condition or call service engineers.
- Check if the power cord and pneumatic hoses are not damaged. Replace the damaged parts or call service engineers.
- Check ambient temperature – ambient temperature must be below temperature limit (40°C). Improve cooling in the room if the temperature is higher.
- Compressor with air dryer - open the plug on the condensate collecting bottle and drain the condensate.

17.3. Check of pneumatic connections leakage and device inspection

Leakage check

- Check pneumatic connections of the compressor when the compressor is operating – pressurizing.
- Use a leakage analyser or soapy water to check all connections for leaks. Tighten or release the connection where leaks are found.

Device inspection

- Check condition of the compressor pump – even operation, appropriate noise level.
- Check fans operation – fans must be running in the defined cycles of the compressor operation.
- Check function of the temperature switch (B2) – heat the temperature switch to temperature above 40°C (e.g. using a heat gun – Be careful, do not operate with high temperature on plastic components in the surrounding, it can cause deformation of plastic materials). Fan EV1, EV2 (and EV3 on compressor with dryer) starts up once the temperature reaches 40°C – the compressor must be under voltage.
- Check filters condition – filters must be undamaged and sufficiently clean.
- Check condition of the pump itself, check if there is no dirt inside the crankcase or clearance in the crankshaft.
- Replace any defective parts if there are any failures.

17.4. Check of electrical connections



Risk of electric shock.

Check electrical connections on the device disconnected from the mains.

- Check mechanical function of the main switch.
- Check if the power cable and conductors are not damaged.
- Visually check if cables are connected to the terminal box.
- Check all screw connections of the green-yellow PE grounding conductor.

17.5. Condensate drain



Risk of slipping on a wet floor in case of the collecting vessel overflow.



Switch off the compressor every time before emptying the vessel!



Open the drain valve carefully and slowly. If the drain valve is opened too much, it is accompanied by high noise level and uncontrolled jet of the accumulated condensate.

Compressors

During regular operation, it is recommended to drain condensate from the pressure tank.

- Switch off the compressor from the mains and decrease air pressure in the device to max. 1 bar, e.g. by releasing air through the connected device
- Install the hose with condensate drain valve into the prepared bottle and drain condensate from the tank by opening the drain valve (1)

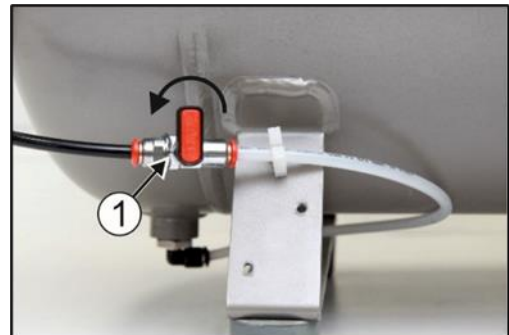


Fig. 14: Condensate drain from the pressure tank

Compressors can be equipped with Automatic condensate drain (AOK), which provides draining of condensate from the air tank without the need of operator action (see chapter accessories).

Compressors with air dryer

Condensate from compressors with air dryers is automatically drained into the condensate collection vessel.

- Monitor the level in the vessel using the 1 l or 2 l markings (depending on the volume of the vessel), and empty at least once a day.



Fig. 15: Check of condensate collection vessel



Before the following checks it is required:

- For compressor variant with cabinet – unlock the door lock and open the cabinet door.

17.6. Check of safety valve

- Turn the screw (2) on the safety valve (1) several times to the left until the safety valve releases the air.
- Let the safety valve vent for a few seconds.
- Turn the screw (2) fully to the right, the valve must be closed now.

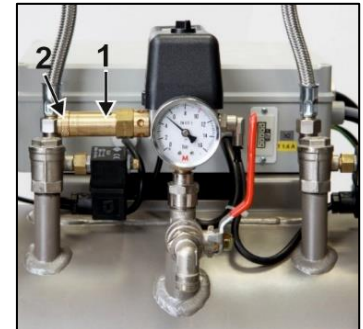


Fig. 16: Check of safety valve



Risk of pressure increase when safety valve is damaged.

Safety valve must not be used to depressurize the air tank. It could damage the safety valve function. The valve is set to the maximum allowed pressure, it is tested and marked.

Safety valve setting must not be adjusted.



Risk of injury when compressed air is vented.

Protect your eyesight when checking the safety valve – wear protective goggles.

17.7. Inlet filter and pre-filter replacement

The inlet filter (1) is located inside the compressor crankcase cover.

Inlet filter replacement:

- Pull out the rubber plug by hand (2).
- Remove the used filter (1).
- Insert a new filter and replace the rubber plug.

Pre-filter replacement:

- Pull out the pre-filter by hand (3).
- Replace the element and re-insert.

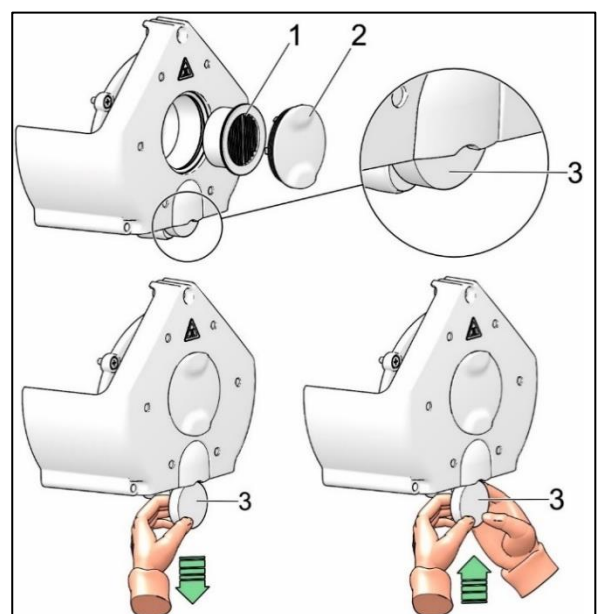


Fig. 17: Inlet filter and pre-filter

17.8. Replacement of filter element



Risk of injury during work with pneumatic components under pressure.

Before any of the following operations on the device, disconnect the device from the mains and decrease pressure in the air tank and pneumatic system to zero.

- Remove the tube (1) from the quick coupling.
- Use a wrench (2) to release the filter vessel (3) and remove
- Dismantle the filter element (4) by pulling it downwards.
- Insert a new filter element.
- Mount the filter bowl.
- Slightly tighten the filter bowl using a wrench.
- Mount the tube back on the quick coupling.

Fig. 18: Replacement of filter element



17.9. Check of fan and cooler

The entire device and especially the compressor fan, cooler fan (21) and cooler (14) must be kept clean (Fig. 2) – vacuum or blown down the cooling fins and fans with compressed air to remove any dust from the surface.

17.10. Procedure for connecting a compressor disconnected from the cabinet



Prior to any maintenance or repair work, switch off the compressor and disconnect it from the mains (pull out the mains plug).

The compressor (without cabinet) requires that the jumper is always mounted in the terminal strip for correct operation (Fig. 19, Fig. 20 pos. D). It then replaces the switch on the cabinet.



If there is no jumper in the terminal strip of the compressor (disconnected from the cabinet), the compressor will not work!

If the cord between the compressor and the cabinet becomes disconnected (by pulling the mains plug) and the compressor is removed from the cabinet, the compressor will not be functional. This is why it is necessary to first create a connection to the terminal strip with a jumper (replacing the circuit breaker function) (Fig. 19, Fig. 20 pos. A).

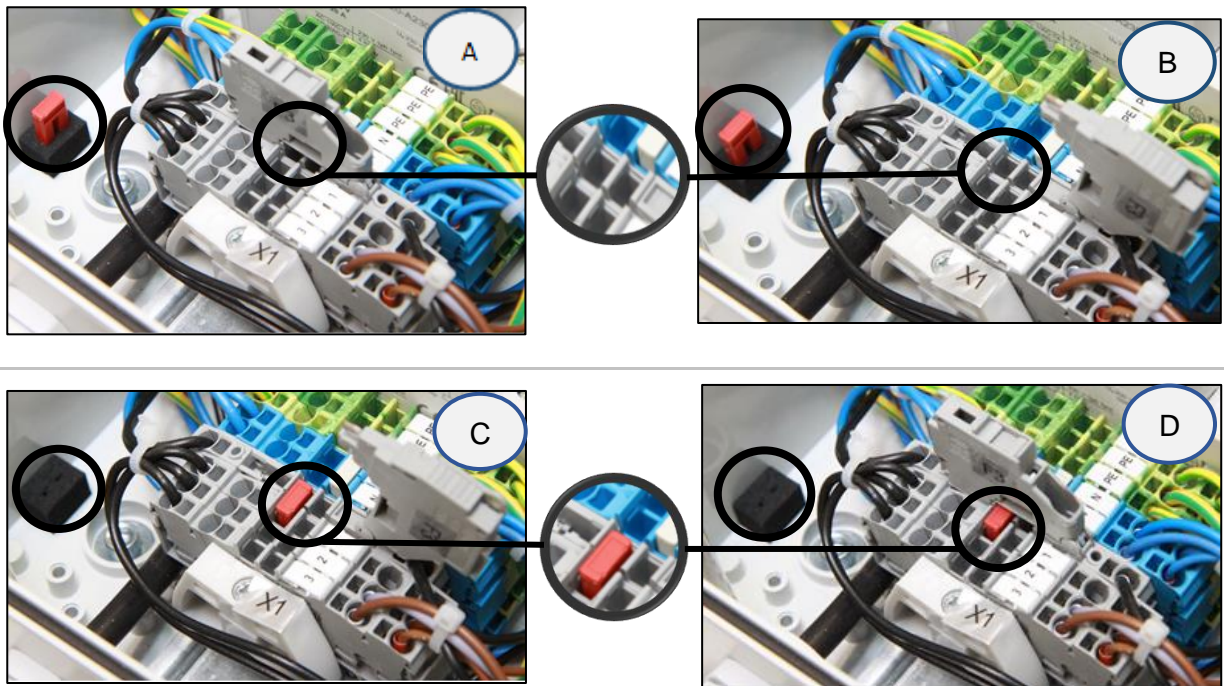
PROCESS:

Jumper installation (A-B-C-D process)

- Disconnect the product from the mains by pulling the plug out of the socket.
- Remove the cover on the electrical panel (on the compressor).
- The jumper is not in the terminal strip – A.
- Lift up the fuse cover – B.
- Insert the jumper into the terminal strip – C.
- Close the fuse cover – D.
- Reinstall the cover on the electrical panel.
- Connect the device to the electrical mains.
- Activate the compressor by turning on the switch on the pressure switch.

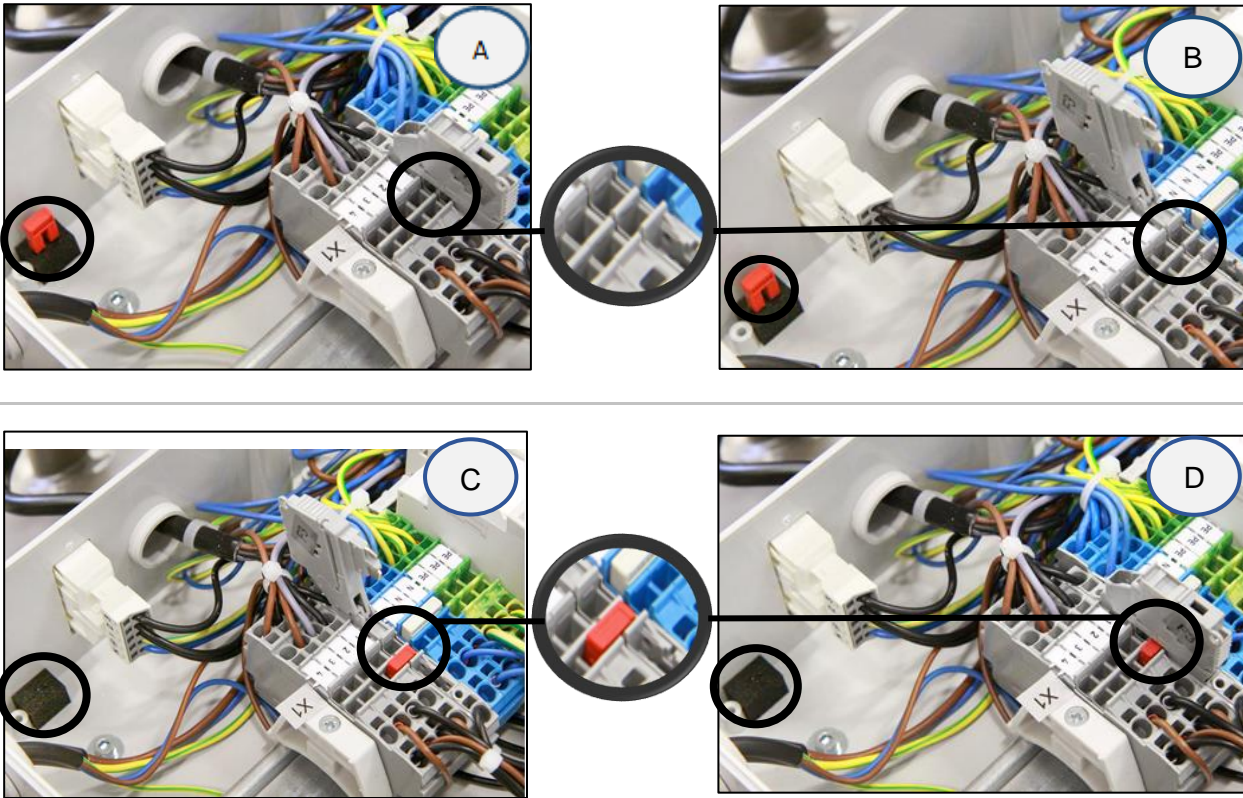
Compressor - when operating outside the cabinet, the electrical connection with an installed jumper **MUST** be created (Fig. 19, Fig. 20 Pos. D).

Fig. 19: DK50 2V/50



230 V

Fig. 20:DK50 2x2V/110



230 V

17.11. Procedure for connecting a compressor to a new cabinet



Prior to any maintenance or repair work, switch off the compressor and disconnect it from the mains (pull out the mains plug).

The compressor in a cabinet requires that the jumper is not mounted in the terminal strip for correct operation (Fig. 19, Fig. 20 pos. A). The switch on the cabinet switches the entire product on and off, including the compressor.



If there is a jumper in the terminal strip of the compressor connected to a cabinet, the switch on the compressor cabinet will not work!

If we want to connect a new cabinet to a compressor that previously worked alone (a compressor without a cabinet), then it is necessary to cancel the connection in the compressor terminal strip by performing the procedure, see further. (Fig. 19, Fig. 20). (See also chap.12.1. and 12.2).

PROCESS:

Jumper removal (D-C-B-A process)

- Disconnect the product from the mains by pulling the plug out of the socket.
- Remove the cover on the electrical panel (on the compressor).
- The jumper is in the terminal strip – D

- Lift up the fuse cover – C
- Remove the jumper from the terminal strip – B
- Close the fuse cover – A
- Reinstall the cover on the electrical panel.
- Insert the compressor into the box.
- Connect the cabinet to the compressor by inserting the power cord with connector (1) into a power socket (2). (Fig. 12)
- Connect the device to the electrical mains
- Activate the compressor by turning on the switch on the pressure switch and the switch (4) on the cabinet (Fig. 13).

Compressor with cabinet - when operating in the cabinet, there **must not** be an electrical connection. (Fig. 19, Fig. 20 pos. A).

Note : **In case of using a compressor without a cabinet or in case of maintenance, a jumper which is not installed into the terminal strip should be kept** in a designated place next to the electrical panel.

17.12. Cleaning of the exterior surfaces of the product

Use neutral agents for cleaning of the external surfaces of the product.



The use of aggressive cleaning agents and comprising alcohol and chlorides may lead to the damage of the surface and the discoloration of the product.

18. LONG-TERM SHUTDOWN

If the compressor is not going to be used for long period, it is recommended to drain all condensate from the air tank and switch on the compressor for about 10 minutes, keeping the drain valve open (1) (Fig. 14). Thereafter switch off the compressor using the switch (2) on the pressure switch (1) (Fig. 13), close the drain valve and disconnect the device from the mains.

19. DISPOSAL OF DEVICE

- Disconnect the device from the mains.
- Release air pressure in the pressure tank by opening the drain valve (1) (Fig. 14).
- Dispose of the device according to the applicable local rules.
- Order a specialized organization to sort and dispose of waste.
- Product components after its operational lifetime have no negative environmental effect.

TROUBLESHOOTING**Risk of electric shock.****Before any of the following operations on the device, disconnect the device from the mains (pull out the mains plug).****Risk of injury during work with pneumatic components under pressure.****Before any of the following operations on the device, it is necessary to decrease pressure in the air tank and in the pneumatic system to zero.****Any operations concerning the troubleshooting may be performed only by a qualified technician.**

Malfunction	Possible cause	Solution
Compressor does not switch on	No voltage in the pressure switch	Check voltage in socket
		Check circuit breaker switch – switch to position switched-on „I“
		Loose conductor from terminal - repair
		Check electrical cord – replace defective cord
	Motor winding failure, damaged thermal protection	Replace motor or windings
	Capacitor failure	Replace capacitor
Compressor often switches on	Seized piston or other rotating part	Replace damaged components
	Pressure switch does not switch	Check function of pressure switch
Cabinet switch does not switch off the compressor	There is a compressor in the cabinet that previously worked separately (there is a jumper in the compressor terminal strip)	Remove the jumper from the terminal strip, see chap. 0
Compressor often switches on	Air leakage in pneumatic system	Check pneumatic system – seal loose connections
	Non-return valve (SV) leakage	Clean non-return valve, replace seals, replace non-return valve
	Large volume of condensed liquid in pressure tank	Drain condensed liquid
	Low compressor capacity	Check time of filling the air tank
Low pressure in the air tank (compressor running constantly)	High air consumption of supplied equipment	Decrease air consumption Use compressor with higher capacity
	Leakage in pneumatic system	Check pneumatic system – seal loose connections
	Low capacity of the pump	Clean / replace the pump
	Pump failure	Clean / replace the pump
	Dryer failure	Replace dryer

Prolonged operation of the compressor	Air leakage in pneumatic system	Check pneumatic system – seal loose connection
	Worn piston ring	Replace worn piston ring
	Dirty inlet filter	Replace dirty filter with new filter
	Incorrect function of solenoid valve	Repair or replace fan or coil
Compressor is noisy (knocking, metal noises)	Damaged piston bearing, piston rods, motor bearing	Replace damaged bearing
	Loose (cracked) dampening element (spring)	Replace damaged spring
Dryer does not dry (condensed water in the air) *	Defective cooler fan	Replace fan Check power source
	Damaged dryer	Replace dryer
	Defective automatic condensate drain	Clean / replace

)* Clean inside surfaces of the air tank thoroughly and remove all condensed liquid after dryer failure.



To protect the connected equipment from any damage, it is necessary to check humidity of the released air from the air tank (see chapter Technical data)

20. REPAIR SERVICE

Guarantee and post-guarantee repairs are provided by the manufacturer or organizations and technicians approved by the manufacturer.

Warning

The manufacturer reserves the right to make changes on the device, which will not significantly affect properties of the device.

INHALT

ALLGEMEINE INFORMATIONEN	55
1. KONFORMITÄT MIT DEN ANFORDERUNGEN DER EU	55
2. SYMBOLE.....	55
3. NUTZUNG GERÄTS	56
4. ALLGEMEINE SICHERHEITSANWEISUNGEN	57
5. LAGERUNGS- UND TRANSPORTBEDINGUNGEN	58
PRODUKTBESCHREIBUNG	59
6. MODELLE	59
7. ZUBEHÖR.....	60
8. PRODUKTFUNKTION	61
TECHNISCHE DATEN	68
INSTALLATION	74
9. INSTALLATIONSBEDINGUNGEN	74
10. ZUSAMMENBAU DES KOMPRESSOR.....	74
11. PNEUMTISCHER ANSCHLUSS	79
12. ELEKTRISCHER ANSCHLUSS	80
13. INBETRIEBNAHME	81
14. DRUCKLUFT- UND ELEKTROSCHALTPLÄNE.....	82
BETRIEB	91
15. EINSCHALTEN DES KOMPRESSORS	92
16. AUSSCHALTEN DES KOMPRESSORS.....	92
PRODUKTWARTUNG	93
17. PRODUKTWARTUNG	93
18. LANGFRISTIGE AUßERBETRIEBNAHME	102
19. ENTSORGUNG DES GERÄTS.....	102
FEHLERBEHEBUNG.....	103
20. INFORMATIONEN ZU REPARATURBETRIEBEN	104
ANHANG	154
21. INSTALLATIONSPROTOKOLL.....	155

ALLGEMEINE INFORMATIONEN

Lesen Sie das Benutzerhandbuch vor der Nutzung des Produkts sorgfältig durch und bewahren Sie es auf. Das Benutzerhandbuch enthält Anleitungen zur korrekten Nutzung, Installation, Bedienung und Wartung des Produkts.

Zum Zeitpunkt des Drucks entspricht das Benutzerhandbuch dem Produktdesign und erfüllt die geltenden Sicherheits- und Technikstandards. Der Hersteller behält alle Rechte zum Schutz der angeführten Verbindungen, Verfahren und Namen.

Die Originalsprache des Benutzerhandbuchs ist Slowakisch. Das Benutzerhandbuch wurde nach bestem Wissen übersetzt. Bei Unsicherheiten gilt die slowakische Version.

Dieses Benutzerhandbuch ist die deutsche Übersetzung der Originalanleitung. Die Übersetzung erfolgte nach bestem Wissen.

1. KONFORMITÄT MIT DEN ANFORDERUNGEN DER EU

Das Produkt erfüllt die Anforderungen der Europäischen Union 2006/42/EG, 2014/29/EU, 2014/35/EU, 2014/30/EU, 2011/65/EU und ist sicher, wenn es gemäß dem Verwendungszweck genutzt wird und alle Sicherheitsanweisungen befolgt werden.

Das Benutzerhandbuch entspricht den Anforderungen der Direktive 2006/42/EG.

2. SYMBOLE

Die folgenden Symbole und Markierungen werden in dem Benutzerhandbuch, auf dem Gerät und auf seiner Verpackung verwendet:



Allgemeiner Warnhinweis



Achtung – Stromschlaggefahr!



Achtung – Kompressor wird automatisch gesteuert



Achtung – heiße Oberfläche



Allgemeine Warnungen



Befolgen Sie das Benutzerhandbuch



CE-Kennzeichnung











Seriennummer



Artikelnummer



Schutzerdung

	Sicherung
	Etikett für die Handhabung der Verpackung – zerbrechlich
	Etikett für die Handhabung der Verpackung – diese Seite nach oben
	Etikett für die Handhabung der Verpackung – trocken halten
	Etikett für die Handhabung der Verpackung – Temperaturlimits
	Etikett für die Handhabung der Verpackung – Stapelbeschränkung
	Verpackungsetikett – recyclebares Material
	Hersteller

3. NUTZUNG GERÄTS

3.1. Bestimmungsgemäße Nutzung

Der Kompressor wird als Quelle für saubere, ölfreie Druckluft für die Industrie und Labore dort verwendet, wo die Parameter und Eigenschaften der Druckluft für die Nutzung geeignet sind.

Der Kompressor dient ausschließlich dazu, Luft ohne Anteile an explosiven oder chemisch instabilen Substanzen zu komprimieren.

Der Kompressor ist für den Betrieb in sauberen und trockenen Räumen konzipiert.

3.2. Unsachgemäße Nutzung



Kontaminationsrisiko.

Die Luft aus dem Kompressor ist ohne zusätzliche Behandlung nicht für das Einatmen und den direkten Kontakt mit Lebensmitteln geeignet.



Explosionsrisiko.

Das Produkt ist nicht für den Betrieb in Räumen mit Explosionsrisiko geeignet.

Der Kompressor darf nicht für das Komprimieren von aggressiven Gasen verwendet werden.

Der Kompressor darf nicht in Umgebungen verwendet werden, in denen es entflammbare Dämpfe gibt.

Der Kompressor darf nur unter den Bedingungen verwendet werden, die im Abschnitt Technische Daten aufgeführt sind.

Jegliche andere Nutzung des Produkts über die bestimmungsgemäße Verwendung hinaus gilt als unsachgemäße Nutzung. Der Hersteller haftet nicht für Schäden oder Verletzungen aufgrund einer unsachgemäßen Nutzung oder Nichtbeachtung der Anweisungen in diesem Benutzerhandbuch. Einzig der Benutzer/Bediener trägt alle Risiken.

4. ALLGEMEINE SICHERHEITSANWEISUNGEN

Das Produkt wurde entwickelt und hergestellt, um alle Risiken in Verbindung mit seiner Nutzung zu minimieren. Das Produkt ist für den Benutzer und für die Umgebung sicher, wenn es gemäß seinem Verwendungszweck und den nachfolgend aufgeführten Anweisungen verwendet wird.

4.1. Erforderliche Qualifikation der Mitarbeit

- Alle Benutzer müssen durch den Hersteller oder durch einen von dem Hersteller autorisierten Dienstleister geschult oder durch einen weiteren geschulten Bediener in der Nutzung des Geräts unterwiesen werden.
- Montage, Neueinstellungen, Änderungen, Erweiterungen und Reparaturen des Produkts müssen durch den Hersteller oder von einem durch den Hersteller autorisierten Dienstleister (hierunter qualifizierter Techniker) erfolgen.
- Andernfalls übernimmt der Hersteller keine Verantwortung für die Sicherheit, Zuverlässigkeit und korrekte Funktion des Produkts.

4.2. Allgemeine Anweisungen

- Bei der Nutzung des Kompressors müssen alle relevanten Gesetze und lokalen Vorschriften am Einsatzort beachtet werden. Der Bediener und der Benutzer sind für die Einhaltung der geltenden Vorschriften zuständig.
- Vor jeder Nutzung muss der Benutzer prüfen, ob das Gerät korrekt und sicher funktioniert. Vor dem Einbau des Kompressors in andere Geräte muss der Lieferant prüfen, ob die zugeführte Luft und die Bauart des Geräts den Anforderungen des festgelegten Verwendungszwecks entsprechen. Beachten Sie hierzu die Technischen Daten für das Produkt. Der Hersteller – der Lieferanten des Endprodukts hat die Konformitätsprüfung vorzunehmen.

4.3. Schutz vor gefährlicher Spannung und Druck

- Das Gerät darf nur an eine korrekt montierte Steckdose mit Schutzerdung angeschlossen werden.
- Überprüfen Sie vor dem Anschluss des Produkts, ob die auf dem Produkt angegebene Netzspannung und Netzfrequenz mit den Werten des Versorgungsnetzes übereinstimmen.
- Überprüfen Sie vor der Inbetriebnahme des Produkts die angeschlossenen Druckluftschläuche und Stromkabel auf Beschädigungen. Beschädigte Druckluftschläuche und Stromkabel sind unverzüglich zu ersetzen.
- Trennen Sie das Produkt in gefährlichen Situationen oder bei technischen Störungen sofort vom Stromnetz (den Netzstecker ziehen).
- Die Einstellungen der Sicherheitsventile dürfen nicht geändert und nicht für die Druckluftentlastung des Druckluftbehälters verwendet werden.

4.4. Original Ersatzteile und – Zubehörteile

- Die Sicherheit des Bedienpersonals und der störungsfreie Betrieb des Produkts sind nur bei Verwendung von Original-Ersatzteilen garantiert. Es dürfen nur Zubehör- und Ersatzteile verwendet werden, die in der technischen Dokumentation angegeben oder ausdrücklich vom Hersteller zugelassen sind.
- Die Garantie gilt nicht für Schäden aufgrund der Verwendung von Zubehörteilen und Ersatzteilen, die nicht durch den Hersteller vorgeschrieben oder empfohlen wurden. Der Hersteller übernimmt hierfür keine Haftung

5. LAGERUNGS- UND TRANSPORTBEDINGUNGEN

Der Hersteller versendet den Kompressor in einer Transportverpackung. Diese schützt das Gerät während des Transports vor Schäden.



Beschädigungsgefahr für Pneumatikteile.

Der Kompressor darf nur drucklos transportiert werden. Lassen Sie die Druckluft aus dem Druckluftbehälter und den Druckluftschläuchen ab und entleeren Sie das Kondensat aus dem Druckluftbehälter, bevor Sie den Kompressor transportieren.



Die Originalverpackung muss für die eventuelle Rücksendung des Geräts aufbewahrt werden. Falls möglich, verwenden Sie stets die Originalverpackung des Kompressors, um das Produkt bestmöglich zu schützen. Muss das Produkt während der Garantiezeit eingesendet werden, haftet der Hersteller nicht für Schäden, die auf eine falsche Verpackung zurückzuführen sind.



Transportieren Sie den Kompressor in aufrechter Position und grundsätzlich mit Transportsicherung.



Während des Transports und der Lagerung ist der Kompressor vor hoher Feuchtigkeit, vor Verunreinigungen und extremen Temperaturen zu schützen. Nicht in der Nähe von flüchtigen chemischen Substanzen lagern.



Ist eine Lagerung der Originalverpackung nicht möglich, entsorgen Sie diese umweltgerecht. Der Transportkarton kann als Altpapier recycelt werden.



Es ist nicht zulässig, das Gerät außerhalb der angegebenen Bedingungen zu lagern und zu transportieren; siehe unten.

5.1. Umgebungsbedingungen

Produkte können in Räumen und Transportmitteln gelagert werden, in denen keine Spuren flüchtiger chemischer Substanzen vorhanden sind und die die folgenden klimatischen Bedingungen erfüllen:

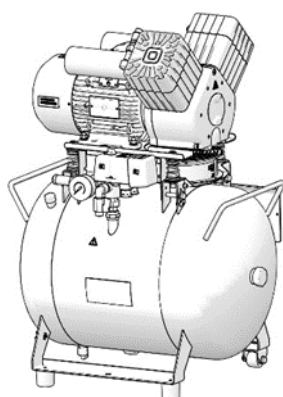
Temperatur	von -25 °C bis +55 °C, in 24 Std. bis zu +70 °C
Relative Feuchtigkeit	Max. 90 % (ohne Kondensat, nicht kondensierend)

PRODUKTBESCHREIBUNG

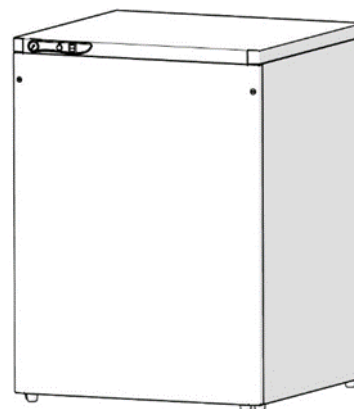
6. MODELLE

Der Kompressor wurde gemäß seinem Verwendungszweck in den folgenden Modellen erbaut:

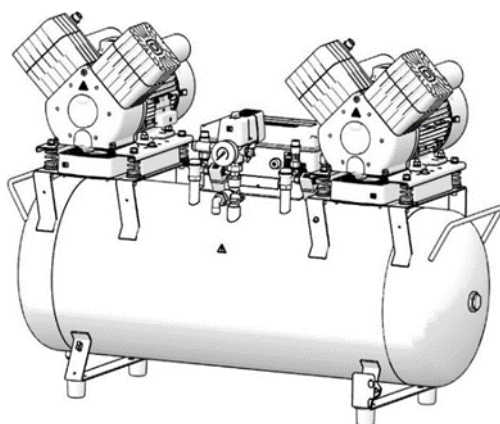
DK50 2V/50	Kompressor für Installation in Bereichen, in denen der Betrieb die Umgebung nicht stört
DK50 2V/50/M	Kompressor mit Membranlufttrockner
DK50 2V/50S	Kompressor in einem Schaltschrank mit effektiver Geräuschkämpfung
DK50 2V/50S/M	Kompressor mit Membrantrockner in einem Gehäuse
Gehäuse S50	für die Minderung der durch den Kompressor verursachten Geräusche
DK50 2x2V/110	Kompressoren für den Einbau in Bereichen, in denen sie durch ihren Betrieb die Umgebung nicht stören
DK50 2x2V/110/M	Kompressor mit Membrantrockner
DK50 2x2V/110 S	Kompressoren mit Gehäuse mit effizienter Geräuschkämpfung
DK50 2x2V/110 S/M	Kompressor in Gehäuse mit Membrantrockner
Gehäuse S 110	Dient der Reduzierung des Geräuschpegels des Kompressors



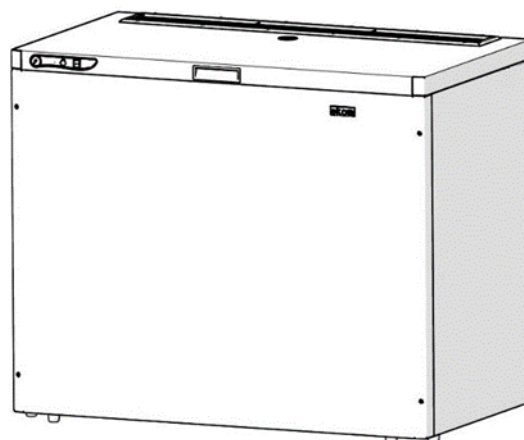
DK50 2V/50



**S50
DK50 2V/50S**



DK50 2x2V/110



**S 110
DK50 2x2V/110 S**

7. ZUBEHÖR

Zubehör ist nicht in der standardmäßigen Bestellung enthalten und muss separat bestellt werden.

Automatischer Kondensatablauf

Der automatische Kondensatablauf (Automatic Condensate Drain; ACD) lässt das Kondensat automatisch und entsprechend einem vorgegebenen Zeitintervall aus dem Kompressor-Druckluftbehälter ab. Der ACD eignet sich als Zubehör für einen Kompressor ohne Trockner.

Typ	Verwendung	Artikelnummer
AOK 13	DK50 2V/50	447000001-154
AOK 12	DK50 2x2V/110	447000001-123

Satz mit Druckluft-Ausgangsfiltern

Der Kompressor kann, sofern angegeben, mit einem Filtersatz ausgestattet werden. Der Filtersatz kann mit einem Druckluftregler ausgestattet werden.



Ist ein anderer Grad an Luftfilterung nötig, muss dies mit dem Lieferanten vereinbart und in der Bestellung klar angegeben werden.

Typ	Verwendung	Grad der Luftfilterung (µm)	Artikelnummer
FS 30F		1	604014119-014
FS 30M	DK50 2V/50, DK50 2V/50/M	1+0,1	604014119-015
FS 30S	DK50 2x2V/110, DK50 2x2V/110/M	1+0,01	604014119-017
FS 30A		1+0,01+A**	604014119-018

***) A – Submikrofilter mit Aktivkohle

*) – Set **FS 30A**, in der Standardkonfiguration. Dies kann bei den Produkten DK50 2V/50, DK50 2V/50/M nicht mit einem Druckregler kombiniert werden. Wenden Sie sich bitte an Ihren Lieferanten, wenn Sie Interesse an diesem Set (mit einem Regler) haben

Filtersatz Reglerbaugruppe

Der Kompressor kann gegebenenfalls mit einem Druckregler des Druckluftauslasses ausgestattet sein. Der Regler muss entsprechend der Anwendung auf den Filtersatz oder separat ausgewählt werden. Der Regler muss einen konstanten Druck am Auslass gewährleisten.

Typ	Verwendung	Artikelnummer
Druckregler (für Filtersatz)	DK50 2V/50, DK50 2V/50/M DK50 2x2V/110, DK50 2x2V/110/M	604014130-000
REG12 (Separater)	DK50 2V/50, DK50 2V/50/M	447000001-088
REG13 (Separater)	DK50 2x2V/110, DK50 2x2V/110/M	447000001-096

Filtersatz Halterungen



Für jeden Filtersatz muss eine passende Halterung bestellt werden.

Typ	Verwendung	Artikelnummer
Halterung Kompressormontage	für DK50 2V/50, DK50 2V/50/M	603014177-000
Halterung Kompressormontage	für DK50 2x2V/110, DK50 2x2V/110/M	604014169-000

Kondensat- und Filtereinheit

Der Kompressor kann zusätzlich mit einer Kondensat- und Filtereinheit ausgestattet werden (KJF). Die KJF Einheit sorgt dafür, dass die Druckluft aus dem Druckluftbehälter im Kühler gekühlt und das Kondensat im Filter erfasst und automatisch aus dem pneumatischen Verteilersystem abgeschieden wird. Gleichzeitig wird die Druckluft gefiltert.

Typ	Verwendung	Grad der Luftfilterung / µm /	Druckregler	Artikelnummer
KJF-2	DK50 2x2V/110	5	Nein	450001021-002

3KOM-Module zur Steuerung mehrerer Kompressoren in der Master-Slave-Funktion

Ein 3KOM-Steuermodul kann bestellt werden, um den Betrieb von 2 oder 3 identischen Kompressoren mit gleichem Druckbereich in der Master-Slave-Funktion zu verwalten. Im Betrieb übernimmt der Regler im Modul die Schaltfunktion des Kompressors. Das Steuermodul kann mit den in der folgenden Tabelle dargestellten Konfigurationen bestellt werden.

Kompressormodell	Steuerschema	Artikelnummer	Luftauslass des Systems
DK50 2V/50/ (M)	1+1	603002152-000	G 3/4"
DK50 2x2V/110/ (M)	1+1+1		

Potenzialausgleichsbuchse

Die Buchse erlaubt eine Schutzverbindung. (Abb. 11)

Typ	Verwendung	Name	Artikelnummer
POAG-KBT6-EC	DK50 2V/50S, DK50 2V/50S/M	Netzstecker	033400075-000
FLEXI-S/POAG-HK6	DK50 2x2V/110S, DK50 2x2V/110S/M	Zuleitung (1 m)	034110083-000

8. PRODUKTFUNKTION

8.1. Kompressor

Abb. 1: Das Kompressoraggregat (1) saugt die Außenluft durch den Ansaugfilter (8) an und komprimiert sie durch das Absperrventil (3) in den Druckluftbehälter (2), von dem aus das Gerät die Druckluft bezieht. Fällt der Druck im Druckluftbehälter auf den Einschaltdruck ab, schaltet der Druckschalter (4) den Kompressor ein und der Kompressor verdichtet die Luft in dem Druckluftbehälter, bis der Ausschaltdruck erreicht wird und der Kompressor abschaltet. Der Druckluftschlauch wird durch das Magnetablassventil (13) entlüftet, nachdem das Kompressoraggregat abgeschaltet wurde. Das Sicherheitsventil (5) verhindert, dass der Druck im Druckluftbehälter den maximal zulässigen Wert übersteigt. Das Ablassventil (7) führt das Kondensat aus dem Druckluftbehälter ab. Die komprimierte, ölfreie und gefilterte Luft wird im Druckluftbehälter für die weitere Verwendung gespeichert.

Das Kondensat muss in regelmäßigen Intervallen aus dem Druckluftbehälter abgelassen werden (siehe Kapitel 17.1).

8.2. Kompressor mit Membrantrockner

Abb. 2: Das Kompressoraggregat (1) zieht Außenluft durch einen Ansaugfilter (8) ein und komprimiert sie. Dann wird die Luft zum Kühler (14) durch den Filter (15) und das Prüfventil (3) zum Trockner (9) gespeist, anschließend wird die trockene und saubere Luft in den Luftbehälter (2) eingespeist. Ein Teil der Luft wird mit der aufgenommenen Feuchtigkeit aus dem Trockner entlassen und macht sich als leichter Luftstrom entlang des Trocknergehäuses (9) bemerkbar. Das Kondensat aus dem Filter wird automatisch in regelmäßigen Intervallen über das Kondensatablassmagnetventil (16) in den Behälter abgeleitet. Der Trockner sorgt dafür, dass die Druckluft ständig getrocknet wird. Das Kondenswasser wird durch das Ablassventil (7) aus dem Luftbehälter abgelassen, wenn die

Trocknerleistung überprüft wird. Ölfreie gefilterte Druckluft steht im Druckluftbehälter zur weiteren Nutzung bereit.

Damit der Membrantrockner wie vorgesehen funktioniert, wird der Trockner direkt an den Luftbehälter ohne zwischengeschaltetes Rückschlagventil angeschlossen. Da der Membrantrockner selektive Membranfasern enthält, erfolgt hierüber eine geringfügige Luftentweichung (rund 0,5 bar/30 min.)

Das ist der Grund für einen nach und nach erfolgenden, langsamen Druckabfall, auch wenn kein Druckluftbedarf (aus dem Luftbehälter) besteht. Dabei handelt es sich jedoch nicht um eine Fehlfunktion.

Der Druckbehälter muss nicht abgelassen werden.

8.3. Kompressorgehäuse

Abb. 3: Das schalldichte Gehäuse dient zur kompakten Abdeckung des Kompressors. Gleichzeitig gewährt es einen ausreichenden Luftaustausch und dämpft Geräusche wirkungsvoll. Der Lüfter unter der Kompressorpumpe kühlt den Kompressor. Er läuft gleichzeitig mit dem Kompressormotor oder nach dem Einschalten des Temperaturschalters bei einer Temperatur von über 40 °C. Nachdem der Gehäusebereich auf weniger als ca. 32 °C abgekühlt ist, schaltet der Lüfter automatisch ab



Überhitzungsgefahr des Kompressors.

Stellen Sie sicher, dass keine Blockaden am Einlass der Kühlluft in das Gehäuse (im Bodenbereich des Gehäuses) und am Auslass der Warmluft an der Hinterseite des Gehäuses im oberen Bereich bestehen.

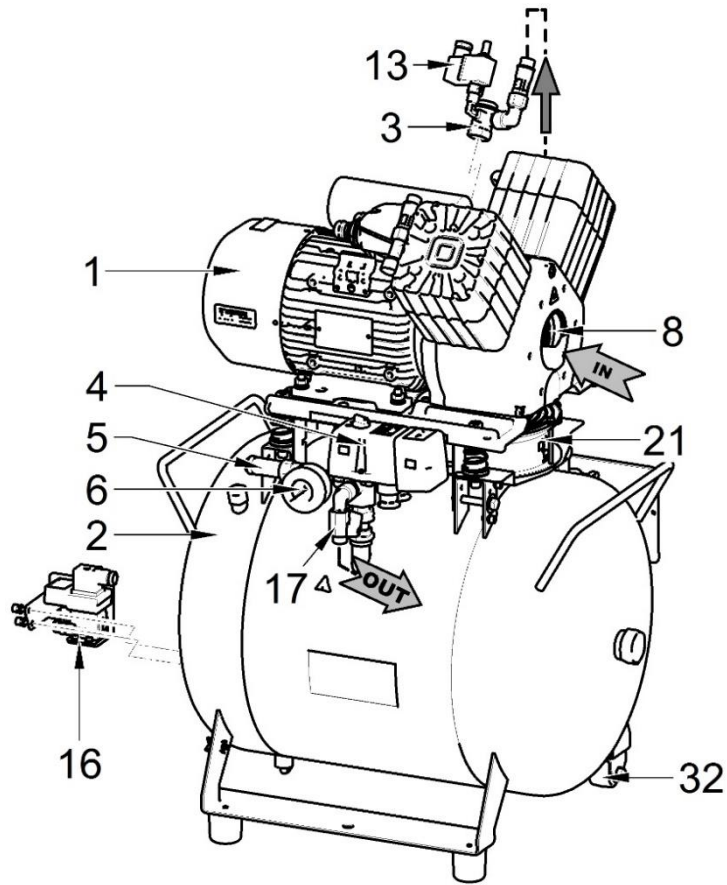
Wird der Kompressor auf eine weiche Unterlage gestellt (z.B. auf einen Teppich), schaffen Sie einen Abstand zwischen der Basis und dem Boden oder dem Gehäuse und dem Boden, indem die Füße z.B. auf feste Blöcke gestellt werden. Damit wird eine ausreichende Kühlung des Kompressors gewährleistet.

Das Kompressormodell mit 8 bis 10 bar ist mit einem Stundenzähler ausgestattet. (Abb. 3).

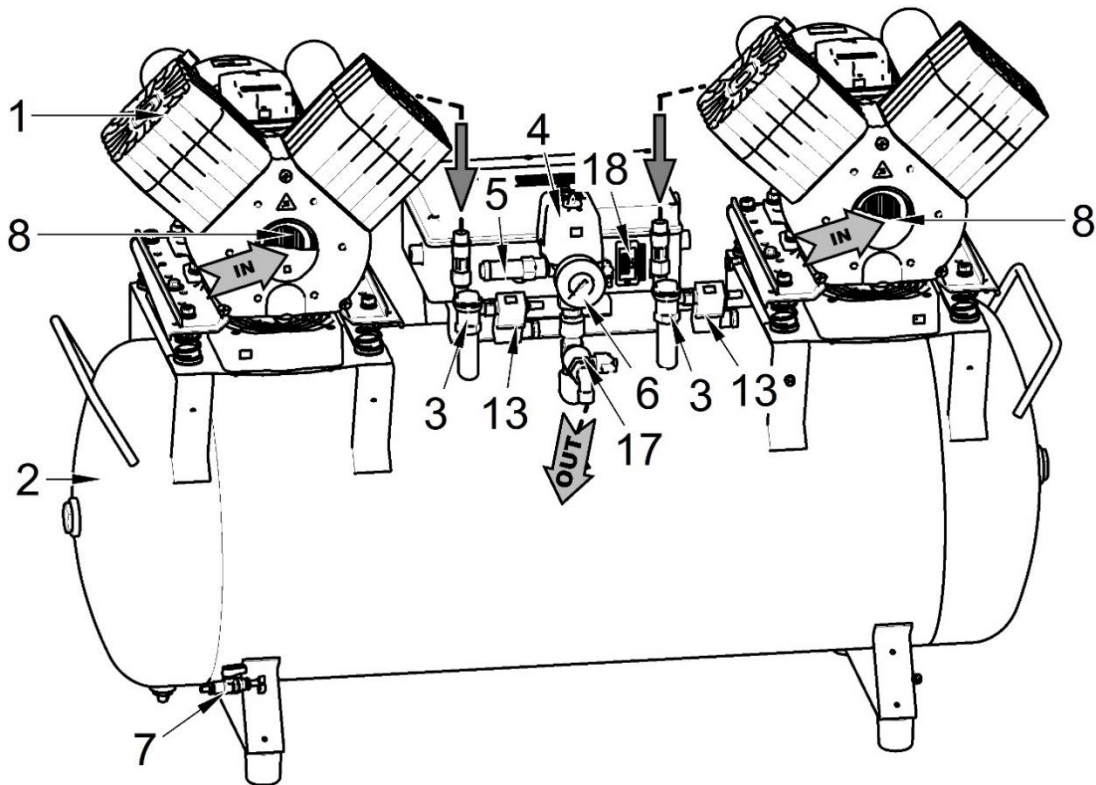
Beschreibung für Abbildungen 1 – 3:

- | | |
|---------------------------------|--------------------------------|
| 1. Kompressoraggregat | 18. Buchse |
| 2. Luftbehälter | 19. Flasche |
| 3. Rückschlagventil | 20. Magnetische Halterung |
| 4. Druckschalter | 21. Lüfter |
| 5. Sicherheitsventil | 22. Gehäuselüfter |
| 6. Manometer | 23. M5-Schraube |
| 7. Ablassventil | 24. Schrank-Gasfedern |
| 8. Ansaugfilter | 25. Schrankgehäuse |
| 9. Trockner | 26. Wandanschlag |
| 10. - | 27. Schalter |
| 11. - | 28. Manometer |
| 12. - | 29. Stecker mit Kabel |
| 13. Magnetventil | 30. Manometer-Schlauch |
| 14. Trocknerkühler | 31. Griff S110 |
| 15. Filter | 32. Rollen |
| 16. Kondensatablassmagnetventil | 33. Verbindungsausstrebung |
| 17. Kugelventil | 34. Schrank-Verbindungsstecker |
| | 35. Positionierungsrollwagens |

Abb. 1: Kompressor

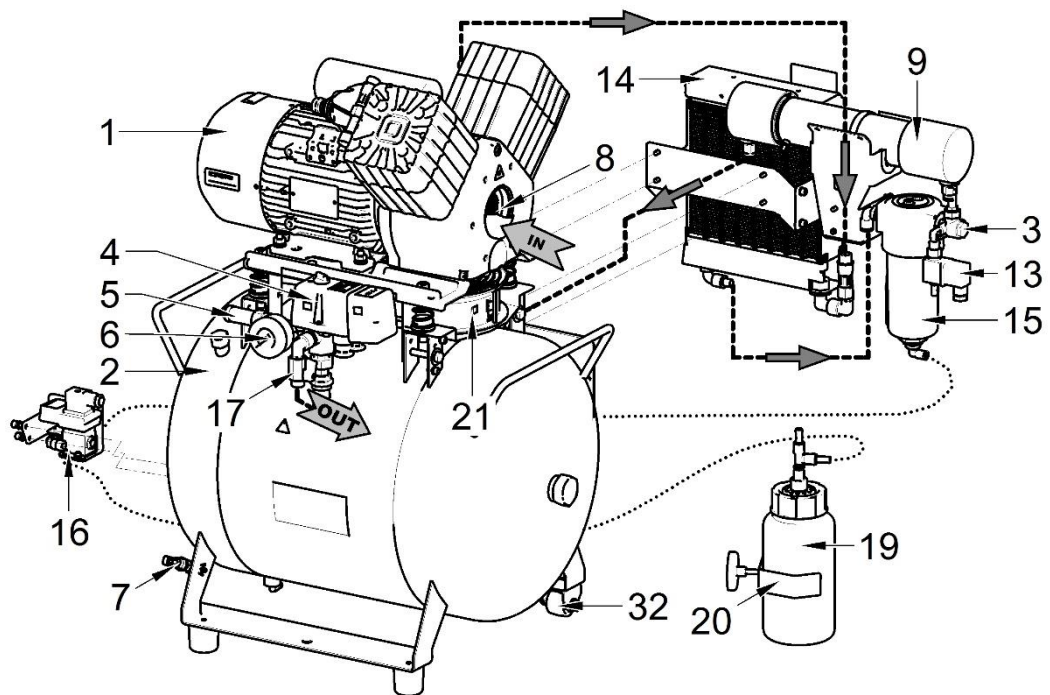


DK50 2V/50

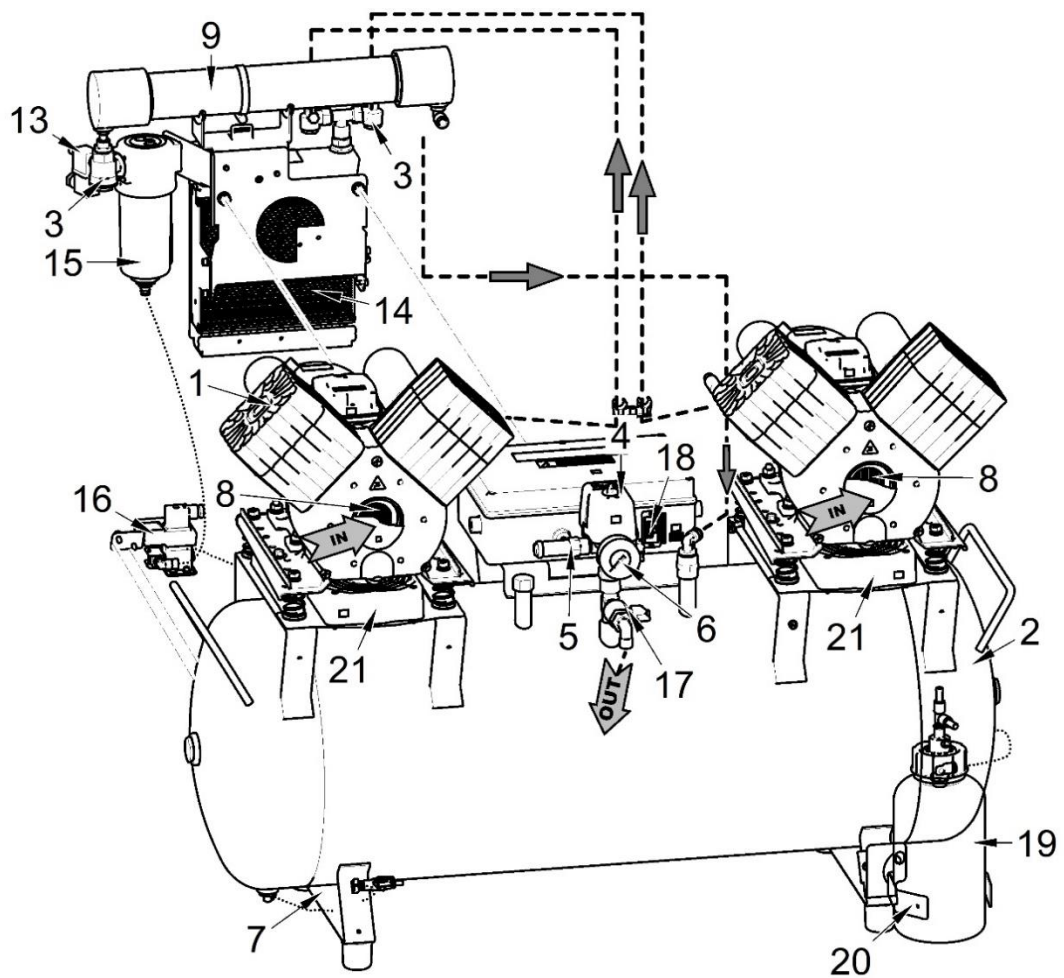


DK50 2x2V/110

Abb. 2: Kompressor mit Trockner MD

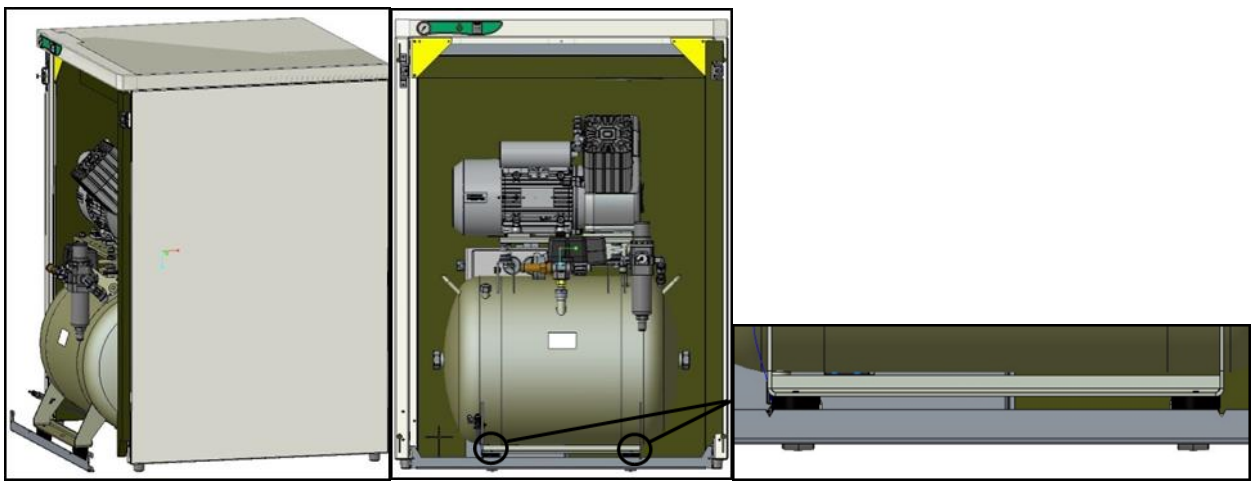
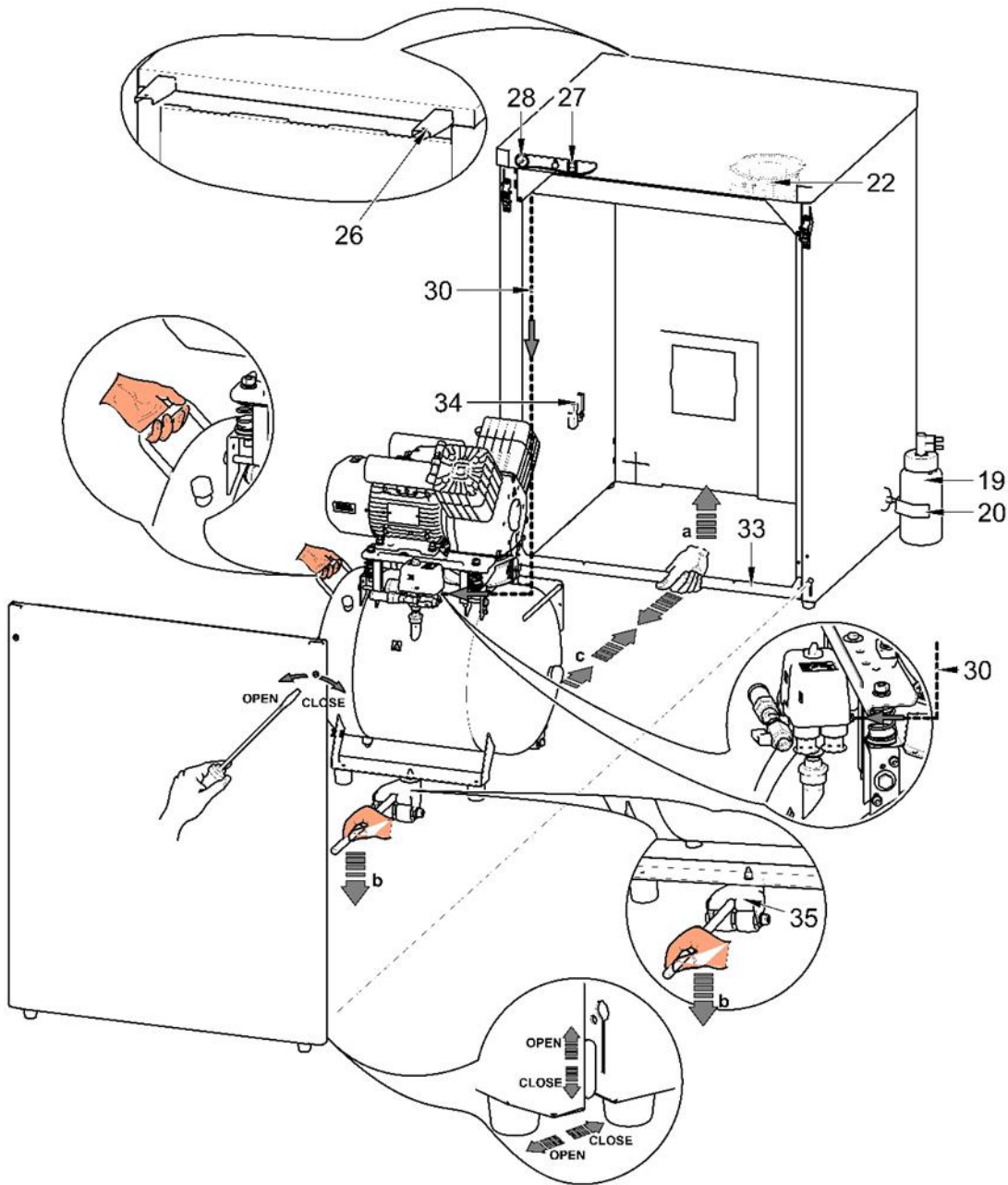


DK50 2V/50/M

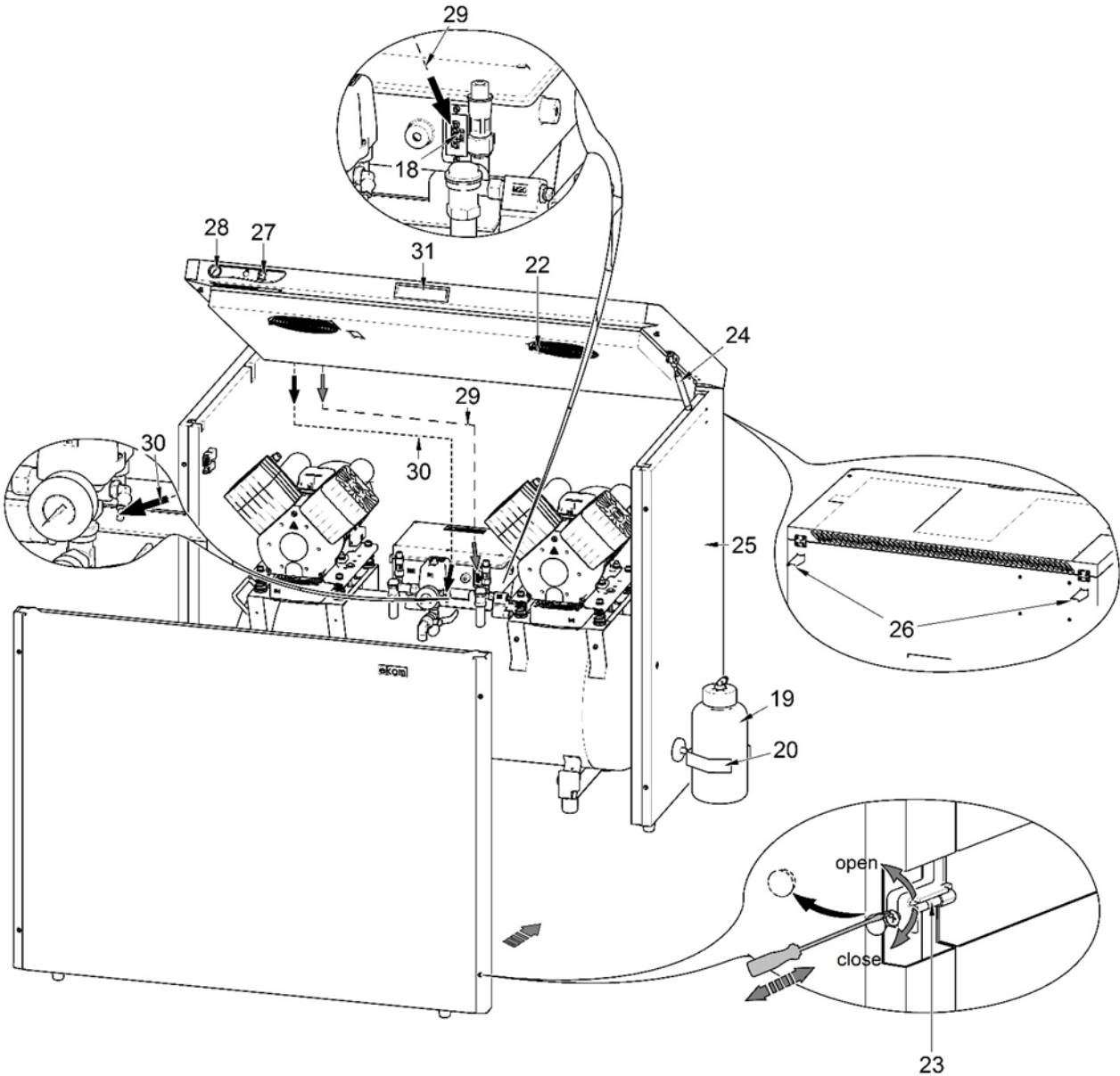


DK50 2x2V/110/M

Abb. 3: Gehäuse



3A – DK50 2V/50S



3B – DK50 2x2V/110S

TECHNISCHE DATEN

Die Kompressoren sind für den Betrieb in trockenen, belüfteten und staubfreien Innenräumen mit den folgenden klimatischen Bedingungen vorgesehen:

Temperatur

von +5 °C bis +40 °C

Relative Feuchtigkeit

max. 70 %

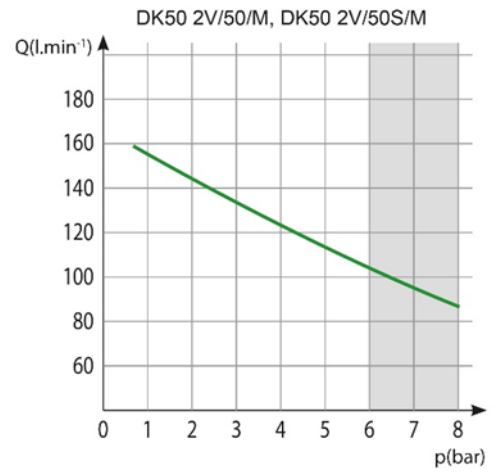
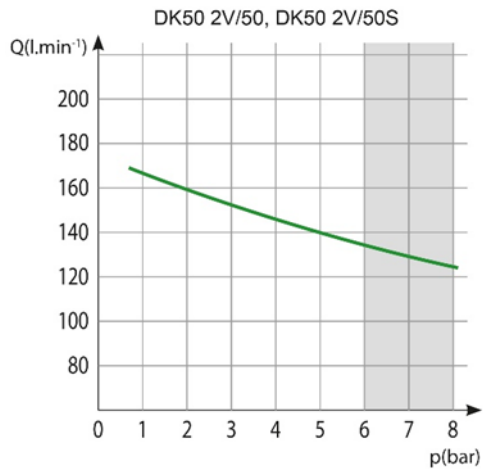
Arbeitsdruck 6 – 8 bar		DK50 2V/50		DK50 2V/50S		DK50 2V/50/M		DK50 2V/50S/M	
Nennspannung Frequenz ^{a)}	V, Hz	230,50 3x400, 230,60 50		230,50 3x400, 230,60 50		230,50 3x400, 230,60 50		230,50 230,60	
Kapazität bei 6 bar (FAD)	l/min	135		135		104		104	
Arbeitsdruck ^{b)}	bar	6,0 – 8,0		6,0 – 8,0		6,0 – 8,0		6,0 – 8,0	
Nennstrom	A	8,6 3,8	9,2	8,8 4,0	9,4	8,7 3,8	9,3	8,9	9,7
Motorleistung	kW	1,2		1,2		1,2		1,2	
Volumen Drucklufttank	l	50		50		50		50	
Luftqualität - Filterung	µm	-		-		0,1		0,1	
Max. Betriebsdruck des Sicherheitsventil	bar	9,0		9,0		9,0		9,0	
Geräuschpegel bei 5 bar (L _{pA})	dB	≤67,0		≤51,5		≤69,0		≤55,0	
Betriebsmodus	%	S1-100		S1-100		S1-100		S1-100	
PDP-Trocknung bei 7 bar	°C	-		-		≤ +3		≤ +3	
Zeit, den Druckluftspeicher von 0 bis 7 bar zu füllen	s	149		149		218		218	
Abmessungen (netto) L x B x H	mm	577x587x804		750x715x1015		577x628x804		750x715x1015	
Nettogewicht	kg	58 54		108 105		61		114	

^{a)} Nennen Sie das Kompressormodell in der Bestellung

^{b)} Kontaktieren Sie für andere Druckbereiche den Lieferanten

^{c)} Die Gewichtsangabe ist nur informativ und gilt für ein Produkt ohne Zubehör

Abhängigkeit von Kompressorkapazität zum Arbeitsdruck



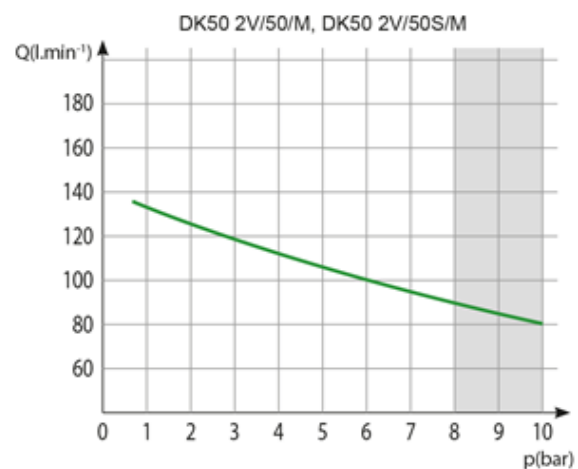
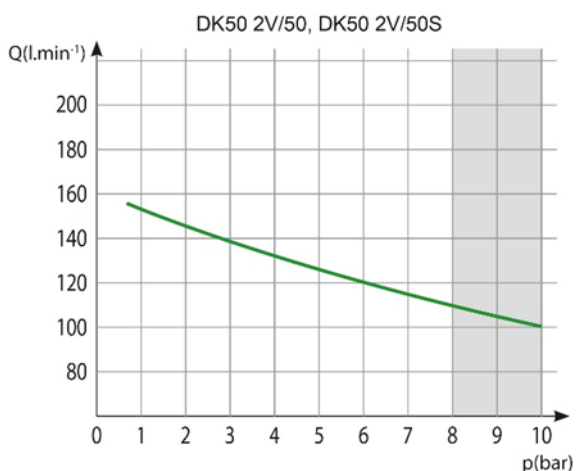
Arbeitsdruck 8 – 10 bar		DK50 2V/50	DK50 2V/50S	DK50 2V/50/M	DK50 2V/50S/M
Nennspannung Frequenz ^{a)}	V, Hz	230, 50	230, 50	230, 50 3x400, 50	230, 50
Kapazität bei 8 bar (FAD)	l/min	110	110	90	90
Arbeitsdruck ^{b)}	bar	8,0 – 10,0	8,0 – 10,0	8,0 – 10,0	8,0 – 10,0
Nennstrom	A	8,4	8,6	8,5 4,6	8,7
Motorleistung	kW	1,2	1,2	1,2	1,2
Volumen Drucklufttank	l	50	50	50	50
Luftqualität - Filterung	µm	-	-	0,1	0,1
Max. Betriebsdruck des Sicherheitsventil	bar	12,0	12,0	12,0	12,0
Geräuschpegel bei 5 bar (L _{pA})	dB	≤67,0	≤51,5	≤69,0	≤57,0
Betriebsmodus	%	S1-100	S1-100	S1-100	S1-100
PDP-Trocknung bei 7 bar	°C	-	-	≤ +3	≤ +3
Zeit, den Druckluftspeicher von 0 bis 6 bar zu füllen	s	226	226	250	250
Abmessungen (netto) L x B x H	mm	577x587x804	750x715x1015	577x628x804	750x715x1015
Nettogewicht	kg	58	108	61	114

a) Nennen Sie das Kompressormodell in der Bestellung

b) Kontaktieren Sie für andere Druckbereiche den Lieferanten

c) Die Gewichtsangabe ist nur informativ und gilt für ein Produkt ohne Zubehör

Abhängigkeit von Kompressorkapazität zum Arbeitsdruck



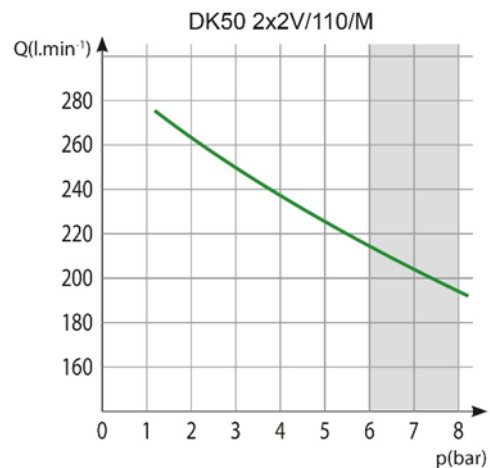
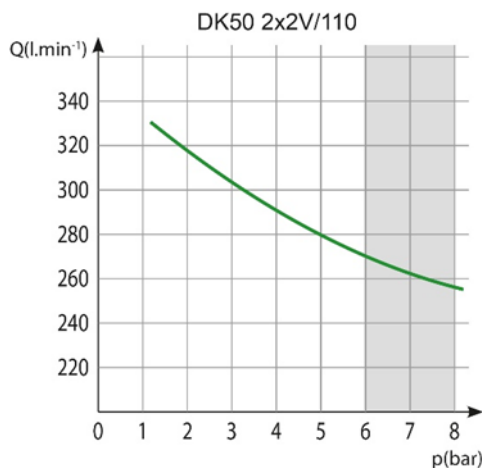
Arbeitsdruck 6 – 8 bar		DK50 2x2V/110		DK50 2x2V/110S		DK50 2x2V/110/M		DK50 2x2 V/110 S/M	
Nennspannung Frequenz ^{a)}	V, Hz	230,50 3x400, 50	230,60	230,50 3x400, 50	230,60	230,50 3x400, 50	230,60	230,50 3x400, 50	230,60
Kapazität bei 6 bar (FAD)	l/min	270		270		215		215	
Arbeitsdruck ^{b)}	bar	6,0 – 8,0		6,0 – 8,0		6,0 – 8,0		6,0 – 8,0	
Nennstrom	A	15,2 8,0	18,5	15,5 8,4	18,8	15,3 8,0	18,7	15,6 8,4	19,0
Motorleistung	kW	2x1,2		2x1,2		2x1,2		2x1,2	
Volumen Drucklufttank	l	110		110		110		110	
Luftqualität - Filterung	µm	-		-		0,1		0,1	
Max. Betriebsdruck des Sicherheitsventil	bar	9,0		9,0		9,0		9,0	
Geräuschpegel 5 bar (L _{pA})	dB	≤73		≤55		≤73		≤56	
Betriebsmodus	%	S1-100		S1-100		S1-100		S1-100	
PDP-Trocknung bei 7 bar	°C	-		-		≤ +3		≤ +3	
Zeit, den Druckluftspeicher von 0 bis 6 bar zu füllen	s	159		159		198		198	
Abmessungen (netto) L x B x H	mm	1085x490x815		1200x730x990		1085x625x815		1200x730x990	
Nettogewicht	kg	106		177		113		184	
		104		175		111		182	

a) Nennen Sie das Kompressormodell in der Bestellung

b) Kontaktieren Sie für andere Druckbereiche den Lieferanten

c) Die Gewichtsangabe ist nur informativ und gilt für ein Produkt ohne Zubehör

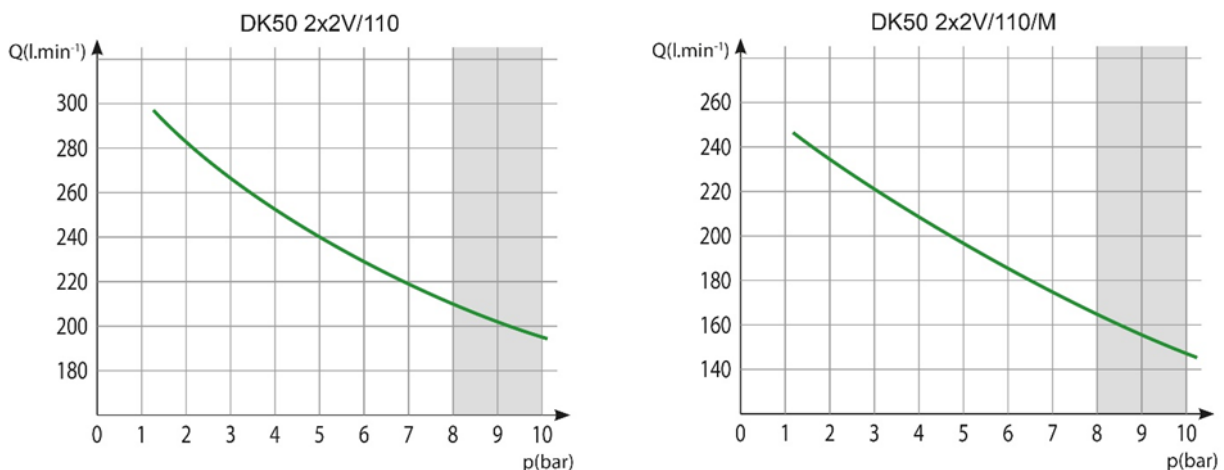
Abhängigkeit von Kompressorkapazität zum Arbeitsdruck



Arbeitsdruck 8 – 10 bar		DK50 2x2V/110		DK50 2x2V/110S		DK50 2x2V/110/M		DK50 2x2 V/110 S/M	
Nennspannung Frequenz ^{a)}	V, Hz	230, 50 3x400, 50	230,60	230,50 3x400, 50	230,60	230,50 3x400, 50	230,60	230,50 3x400, 50	230,60
Kapazität bei 8 bar (FAD)	l/min	210		210		165		165	
Arbeitsdruck ^{b)}	bar	8,0 – 10,0		8,0 – 10,0		8,0 – 10,0		8,0 – 10,0	
Nennstrom	A	14,7 8,5	17,9	14,9 8,9	18,2	14,8 8,5	18,0	15,0 8,9	18,3
Motorleistung	kW	2x1,2		2x1,2		2x1,2		2x1,2	
Volumen Drucklufttank	l	110		110		110		110	
Luftqualität - Filterung	µm	-		-		0,1		0,1	
Max. Betriebsdruck des Sicherheitsventil	bar	12,0		12,0		12,0		12,0	
Geräuschpegel bei 5 bar (L _{pA})	dB	≤73		≤55		≤73		≤56	
Betriebsmodus	%	S1-100		S1-100		S1-100		S1-100	
PDP-Trocknung bei 7 bar	°C	-		-		≤ +3		≤ +3	
Zeit, den Druckluftspeicher von 0 bis 6 bar zu füllen	s	256		256		363		363	
Abmessungen (netto) L x B x H	mm	1085x490x815		1200x730x990		1085x625x815		1200x730x990	
Nettogewicht	kg	110 108		181 179		117 115		188 186	

- a) Nennen Sie das Kompressormodell in der Bestellung
- b) Kontaktieren Sie für andere Druckbereiche den Lieferanten
- c) Die Gewichtsangabe ist nur informativ und gilt für ein Produkt ohne Zubehör

Abhängigkeit von Kompressorkapazität zum Arbeitsdruck



FAD-Kapazitätskorrektur für Höhenlagen

Die Kapazität in Form von FAD („Free Air Delivery“, freie Druckluftversorgung) gilt für die folgenden Bedingungen:

Höhenlage	0 m.n.m.	Temperatur	20 °C
Umgebungsdruck	101325 Pa	Relative Feuchtigkeit	0 %

Um die FAD-Kompressorkapazität in Abhängigkeit von der Höhenlage zu berechnen, muss der Korrekturfaktor gemäß der folgenden Tabelle angewendet werden:

Höhenlage [m.n.m.]	0 – 1500	1.501 – 2.500	2.501 – 3.500	3.501 – 4.500
FAD-Korrekturfaktor	1	0,8	0,71	0,60

INSTALLATION



Risiko von Installationsfehlern.

Der Kompressor darf ausschließlich durch eine hierfür qualifizierte Fachkraft installiert und in Betrieb genommen werden. Dieser ist verpflichtet, professionelles Bedienpersonal bzgl. der Nutzung und Wartung des Geräts zu schulen. Er wird die Installation sowie die Schulung der Bediener durch einen Eintrag in das Installationsprotokoll bestätigen.

9. INSTALLATIONSBEDINGUNGEN

- Der Kompressor darf nur in trockenen, gut belüfteten und staubfreien Räumen installiert und verwendet werden.



Beschädigungsgefahr für das Gerät.

Verwenden Sie das Gerät nicht in Außenbereichen oder in feuchten oder nassen Räumen.



Explosionsrisiko.

Installieren Sie das Gerät nicht in Räumen, in denen mit explosiven Gasen oder entflammaren Flüssigkeiten zu rechnen ist.

- Der Kompressor muss so installiert werden, dass er jederzeit leicht für die Bedienung und Wartung zugänglich und das Etikett am Gerät erreichbar ist.
- Der Kompressor muss auf einer ebenen und ausreichend stabilen Grundlage stehen (beachten Sie das Kompressorgewicht, siehe hierzu Technische Daten).



Wenn Sie das Produkt erstmals einsetzen, stellen Sie möglicherweise (für kurze Zeit) einen Geruch nach „neuem Produkt“ fest. Dieser Geruch ist vorübergehend und beeinträchtigt die normale Nutzung des Produkts nicht. Sorgen Sie dafür, dass der Raum nach der Installation richtig gelüftet wird.

10. ZUSAMMENBAU DES KOMPRESSOR

10.1. Handhabung und Entfernen der Transportsicherung

- Packen Sie den Kompressor aus.
- Platzieren Sie den Kompressor am Aufstellungsort (Abb. 4)

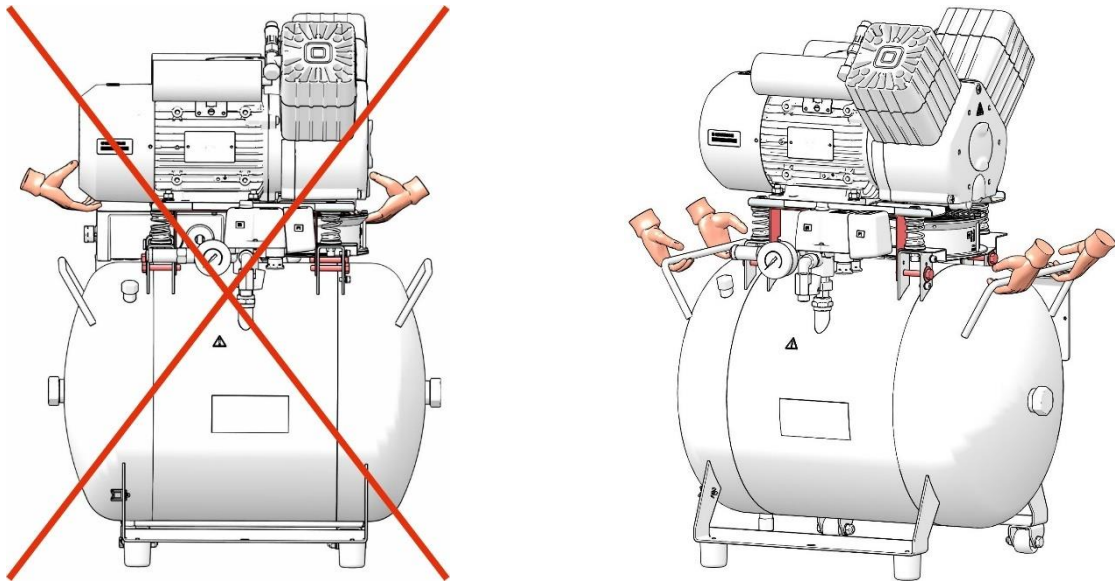


Nutzen Sie bei der Handhabung des Kompressors zum Greifen den Kompressorsockel. Verwenden Sie zum Greifen keine anderen Kompressorteile (Pumpe, Kühler usw).

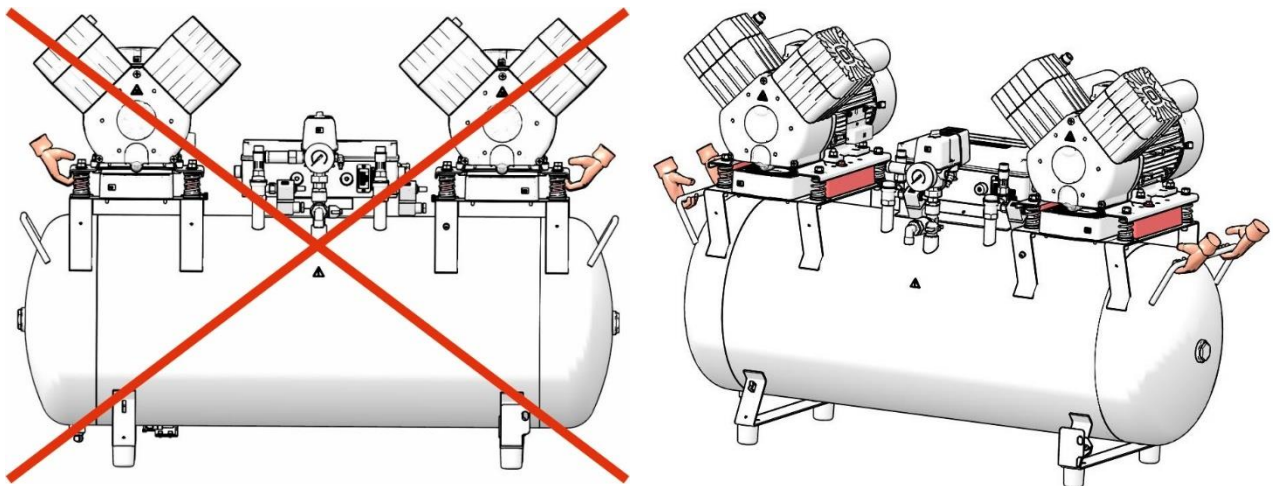


Die Anzahl der Personen, die zum Umgang mit dem Gerät erforderlich sind, muss auf das Gewicht des Geräts abgestimmt sein.

Abb. 4: Handhabung des Kompressors



DK50 2V/50



DK50 2x2V/110

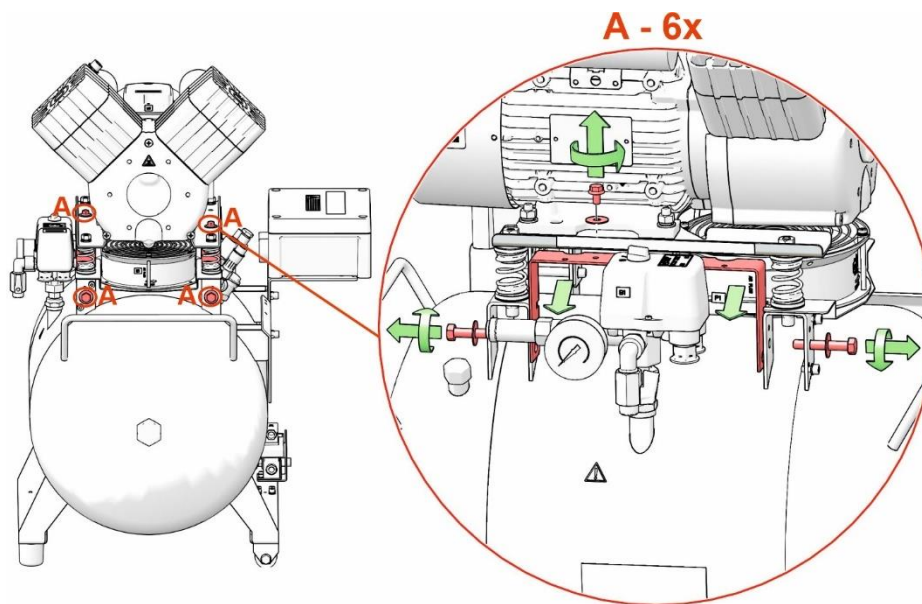
- Entfernen Sie die Transportsicherungen von den Pumpen (Abb. 5).



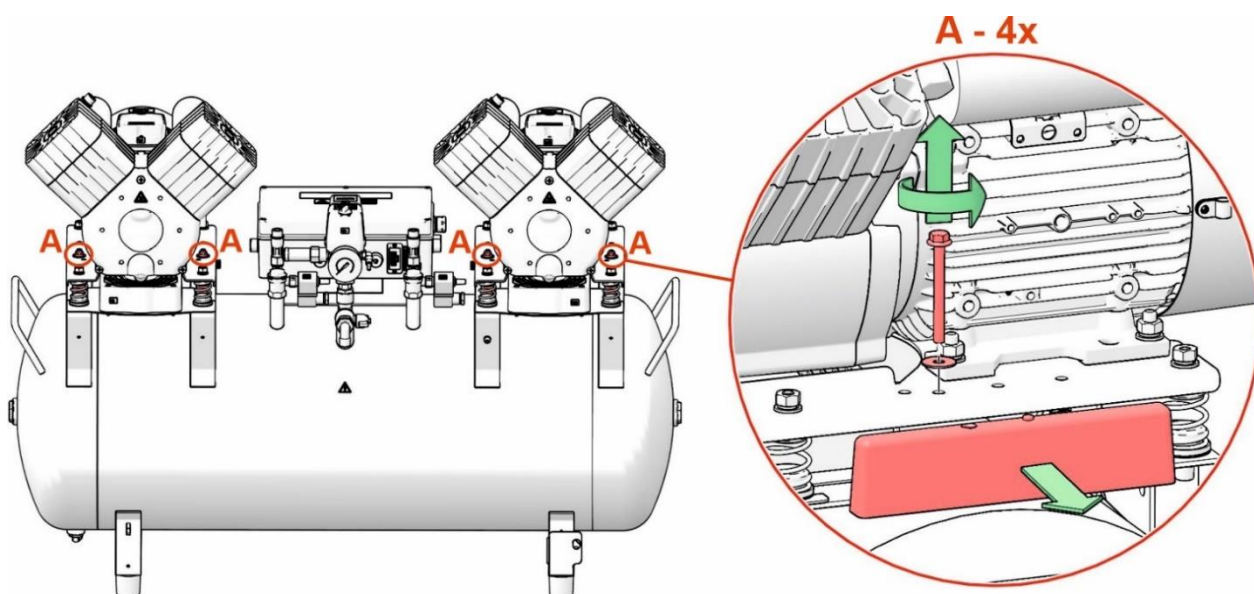
Stellen Sie vor der Installation sicher, dass der Kompressor frei von Verpackungsmaterial und Stabilisatoren ist, um Schäden am Produkt zu vermeiden.

Entfernen Sie die Befestigungselemente der Pumpen, nachdem der Kompressor zusammengebaut und am endgültigen Aufstellungsort nivelliert wurde.

Abb. 5: Freischalten der Pumpe



DK50 2V/50



DK50 2x2V/110

10.2. Montage des Kompressors im Gehäuse

Demontage der Gehäusetür (DK50 2V/50S - Abb. 3)

- Entfernen Sie die von 2 Schrauben gehaltene Tür und trennen Sie den Erdungsdraht.

Kompressoreinbau

- Entfernen Sie die Anschlussleiste (33) vor dem Gehäuse.
- Bevor Sie den Kompressor ohne den Trockner (DK50 2V/50) in das Gehäuse einsetzen, befolgen Sie bitte Kapitel 12.3 für das Hinzufügen von Schallisierungsschaum in das Gehäuse.
- Setzen Sie den Kompressor mithilfe des Positionierungsrollwagens (35) in das Gehäuse ein, platzieren Sie die Anschlussleiste vor dem Gehäuse und justieren Sie die Position des

Kompressors so, dass die beiden „V“-Nuten der Anschlussleiste an den Kompressorfüßen ausgerichtet sind.

- . Damit wird der Kompressor in die richtige Position für das Gehäuse gebracht. Setzen Sie den Kompressor nur so weit in das Gehäuse ein, dass Sie die Anschlussleiste installieren können und der Kompressor der Installation nicht im Wege steht.
- Setzen Sie den Kompressor mit einem Trockner in das Gehäuse ein, sodass der Trocknerventilator in die Öffnung des Kühltunnels im Gehäuse passt. ACHTUNG: Führen Sie den Kompressor nicht bis zum Anschlag ein! Bei Trocknerversionen des Kompressors ist der Kühlluftstrom in den Kühler beschränkt und es besteht das Risiko eines dauerhaften Schadens am Trockner.
- Bringen Sie die Anschlussleiste (33) an ihrer ursprünglichen Position im unteren Gehäusebereich an.

Einbau der Gehäusetür

- Richten Sie die Tür am Gehäuse aus, verbinden Sie den Erdungsdraht **mit der** Tür und befestigen Sie die Tür mithilfe von 2 Schrauben am Gehäuse.



Ein Kompressor mit Lufttrockner darf nicht bis zum Anschlag in das Gehäuse eingeführt werden, da der Trockner hierdurch dauerhaft beschädigt werden kann.

Öffnen der oberen Abdeckung (DK50 2x2V/110S - Abb. 3)

- Heben Sie die obere Gehäuseabdeckung an, indem Sie den Griff (31) in die Hand nehmen, sodass die Gasfeder die Abdeckung geöffnet hält.



Vorsicht beim Schließen der Gehäuseabdeckung – es besteht Fingerquetschgefahr!

Nach dem Schließen des Gehäusedeckels müssen immer die Schnellspanner gesichert werden!

Entfernen der Gehäuse-Frontabdeckung

- Entfernen Sie die von 4 Schrauben (M5) gehaltene Tür und trennen Sie den Erdungsdraht.

Kompressoreinbau

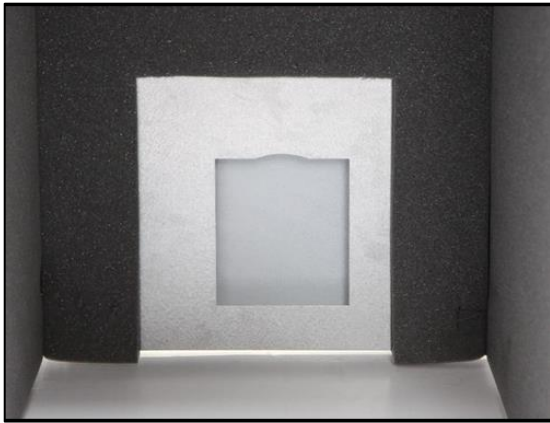
- Setzen Sie den Kompressor in das Gehäuse ein, sodass der Druckluftausgang zum Bediener hin zeigt.
- Bei einem Kompressor mit Trockner muss der Trocknerventilator in den Kühltunnel im Gehäuse eingesetzt werden.

10.3. Gehäuseeinbau von Schallschutzmaterial (DK50 2V/50)

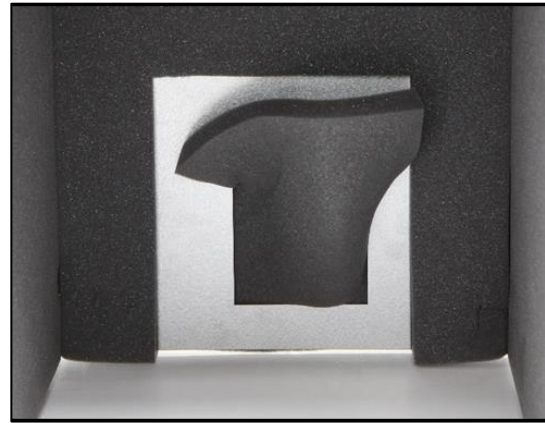
Ein Bauteil aus Schallschutzmaterial ist in die Gehäuseöffnung des Kompressors ohne Trockner einzubauen.

Dieses Teil ist in der mit dem Produkt gelieferten Grundausstattung enthalten.

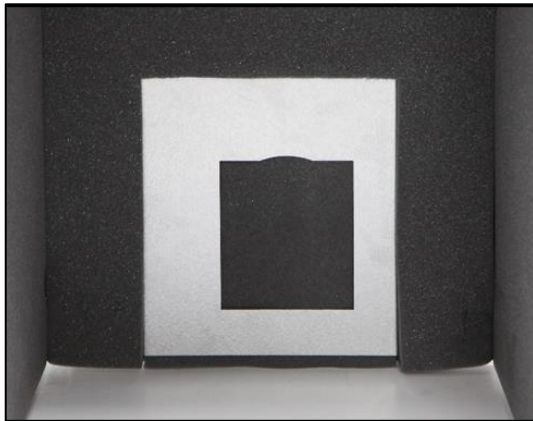
Abb. 6: DK50 2V/50S



A



B



C

10.4. Installation des Kondensatablassventils am Gehäuse (DK50 2x2V/110)

Installieren Sie für im Gehäuse montierte Kompressoren die Gewindevatur mit dem Ventil (1) in der Öffnung seitlich am Gehäuse und installieren Sie den PA-Schlauch mit $\text{Ø } 8 / \text{Ø } 6$ (2). Befestigen Sie das andere Ende des Schlauchs am Anschluss (4) unterhalb des Luftbehälters, von dem das Ventil (3) entfernt wird.

Verschließen Sie das Loch auf der gegenüberliegenden Seite des Gehäuses mit einem Stopfen mit $\text{Ø } 16,5$.

Die Gewindevatur mit Ventil ist standardmäßig im Lieferumfang enthalten. Das Kondensatablassventil kann an beiden Seiten des Kompressorgehäuses installiert werden.

Abb. 7: Installation des Kondensatablassventils am Gehäuse



11. PNEUMTISCHER ANSCHLUSS

11.1. Anschluss an den Druckluftausgang

- Ein Druckluftschlauch wird vom Druckluftauslass (1) des Kompressors zum Gerät geführt.
- Führen Sie bei im Gehäuse montierten Kompressoren den Druckluftschlauch durch die Öffnung in der Rückwand des Gehäuses.

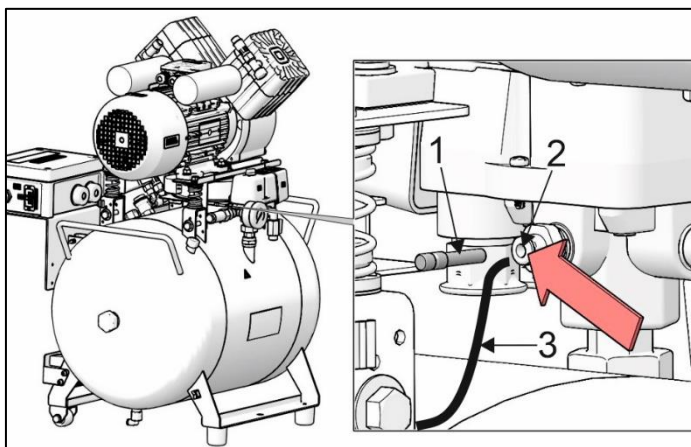


Abb. 8: Druckluftausgang

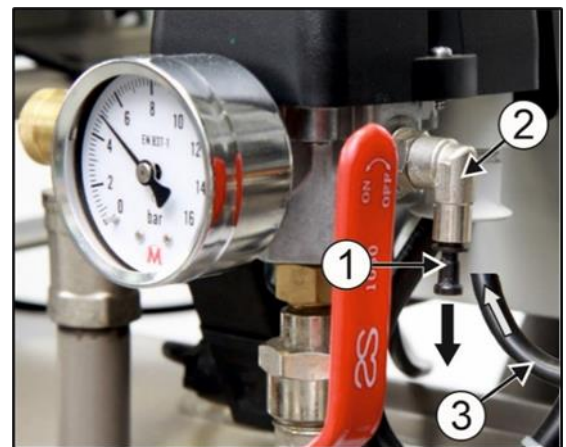
11.2. Verbinden des Gehäuse -Druckmessers mit dem Kompressor

- Entfernen Sie den Stopfen (1) von den Gewinden (2) am Druckluftblock des Kompressors.
- Verbinden Sie den Gehäuse –Druckmesserschlauch (3) mit dem Kompressor.

Abb. 9: Verbinden des Gehäuse -Druckmessers mit dem Kompressor



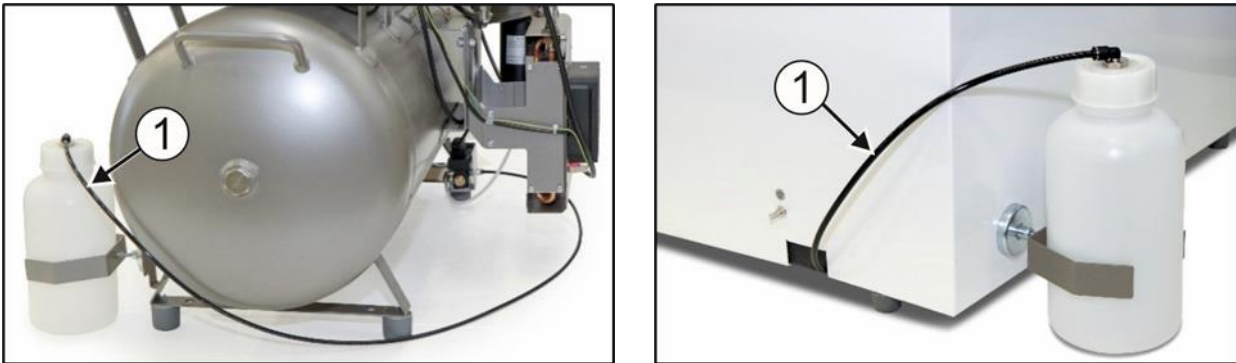
DK50 2V/50S
DK50 2V/50S/M



DK50 2x2V/110S
DK50 2x2V/110S/M

11.3. Anschluss den Kondensatauffangbehälter

- Schließen Sie bei Kompressoren mit Trocknern den Kondensatablaufschauch (1) an den Kondensatbehälter an. (Abb. 10)

Abb. 10: Anschluss des Kondensatauffangbehälter

- Führen Sie bei Kompressor-Modellen mit Trockner den Schlauch (1) durch die Öffnung an der Rückwand des Gehäuses und verbinden Sie ihn mit dem Behälter.



Beschädigungsgefahr für Pneumatikkomponenten.
Druckluftschläuche müssen unbeschädigt sein.

12. ELEKTRISCHER ANSCHLUSS

- Das Produkt wird mit einem Kabel mit Stecker und Erdungstift geliefert.
- Die Steckdose muss leicht zugänglich sein, damit das Gerät sicher vom Strom getrennt werden kann.
- Der entsprechende Schaltkreis muss in der Stromverteilung mit max. 16A geschützt sein



Stromschlaggefahr.

Alle relevanten elektrotechnischen Vorschriften am Aufstellungsort sind einzuhalten. Die Netzspannung und Netzfrequenz müssen mit den Angaben auf dem Geräteetikett übereinstimmen.



Brand- und Stromschlaggefahr.

Stromkabel dürfen nicht mit heißen Kompressorteilen in Berührung kommen.



Brand- und Stromschlaggefahr.

Stromkabel müssen unbeschädigt sein.

- Verbinden Sie den Potenzialausgleichsstift \varnothing mit 6 mm (1) mit dem Verteiler gemäß den gültigen elektrotechnischen Vorschriften
- Der Potenzialausgleichsstecker (2) ist als Sonderzubehör nicht im Lieferumfang enthalten.

**Abb. 11: Potenzialausgleich**

- Befestigen Sie den Erdungsleitungsverbinder an der Tür und schrauben Sie sie am Gehäuse an.

Versorgungsspannungseingang – DK50 2x2V/110

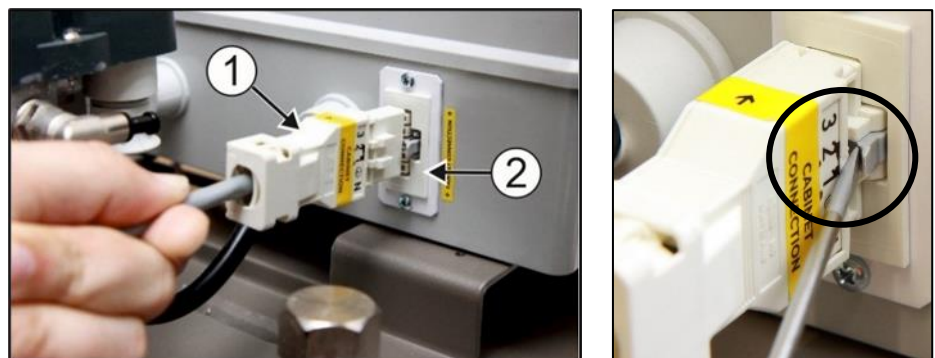
Versorgungsspannung	Art der elektrischen Leitung
230V/50 (60) Hz	3Gx1.5x4000
400V/50 (60) Hz	5Gx1.5x4000

12.1. Anschließen eines Kompressors ohne Gehäuse

- Stecken Sie den Netzstecker in eine Steckdose mit entsprechender Spannung.
- Der Kompressor ist nun betriebsbereit.

12.2. Anschließen eines Kompressors mit Gehäuse

- Führen Sie bei Kompressoren mit Gehäuse den Netzstecker durch die Öffnung an der Rückwand des Gehäuses.
- Schließen Sie den Schaltschrank an den Kompressor an, indem Sie den Stecker (1) des mitgelieferten Netzkabels in eine Steckdose stecken (2). (Abb. 8)
- Unterbrechen Sie die den elektrischen Anschluss zwischen Schaltschrank und Kompressor, indem Sie den Stecker (1) aus der Steckdose ziehen, während die Verriegelung gelöst ist.

Abb. 12: Anschließen eines Kompressors mit Gehäuse**13. INBETRIEBNAHME**

- Überprüfen Sie, ob alle für den Transport verwendeten Befestigungselemente entfernt wurden.
- Überprüfen Sie den Druckluftanschluss (siehe Kapitel 0).
- Überprüfen Sie den Anschluss an den Netzstrom (siehe Kapitel 12).
- Überprüfen Sie die Stellung des Trennschalters; dieser muss auf der Position „I“ stehen. Steht er auf der Position „0“, drehen Sie den Schalter (2) auf die Position „I“. (Abb. 13).
- Stellen Sie am Kompressor den Schalter (4) an der Vorderseite des Gehäuses auf die Position „I“; die grüne Leuchte zeigt an, dass das Gerät betriebsbereit ist. (Abb. 13)
- Überprüfen Sie die Verbindung des Schranksteckers zum Kompressor. (Abb. 12)
- Kontrollieren Sie die Verbindung des Schrank-Druckmessschlauchs zum Kompressor-Pneumatikblock. (Abb. 9)

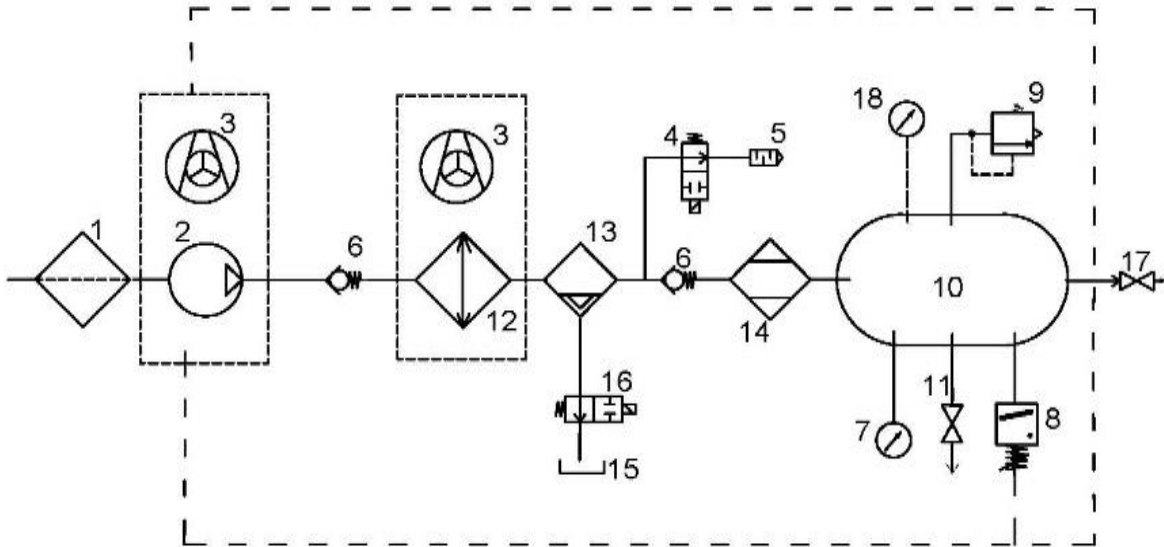


Der Kompressor besitzt keine Reserveenergiequelle.

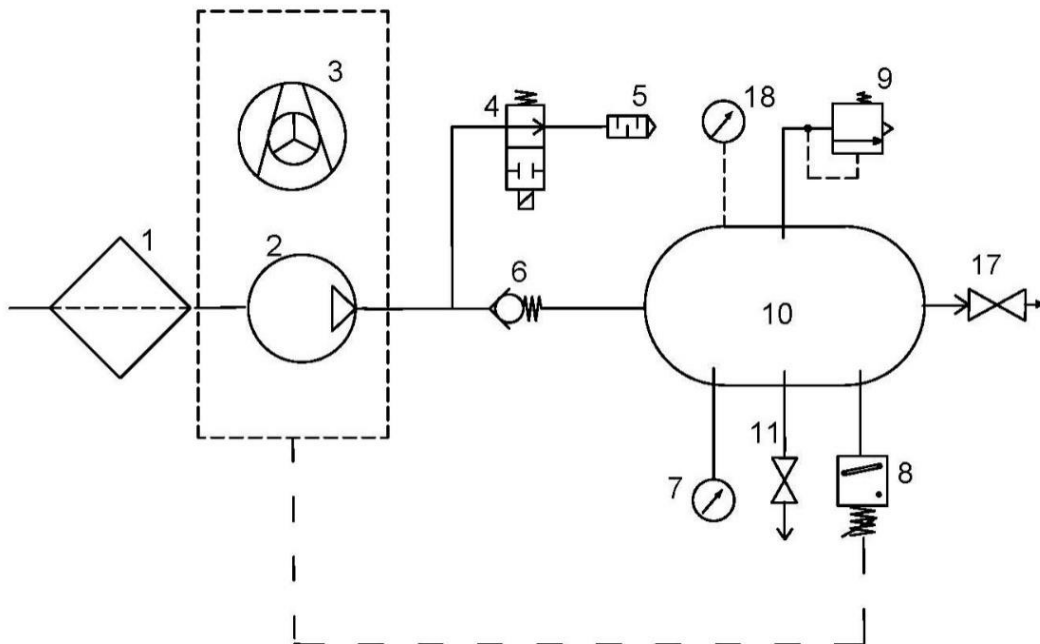
14. DRUCKLUFT- UND ELEKTROSCHALTPLÄNE

14.1. Druckluftplan

DK50 2V/50/M

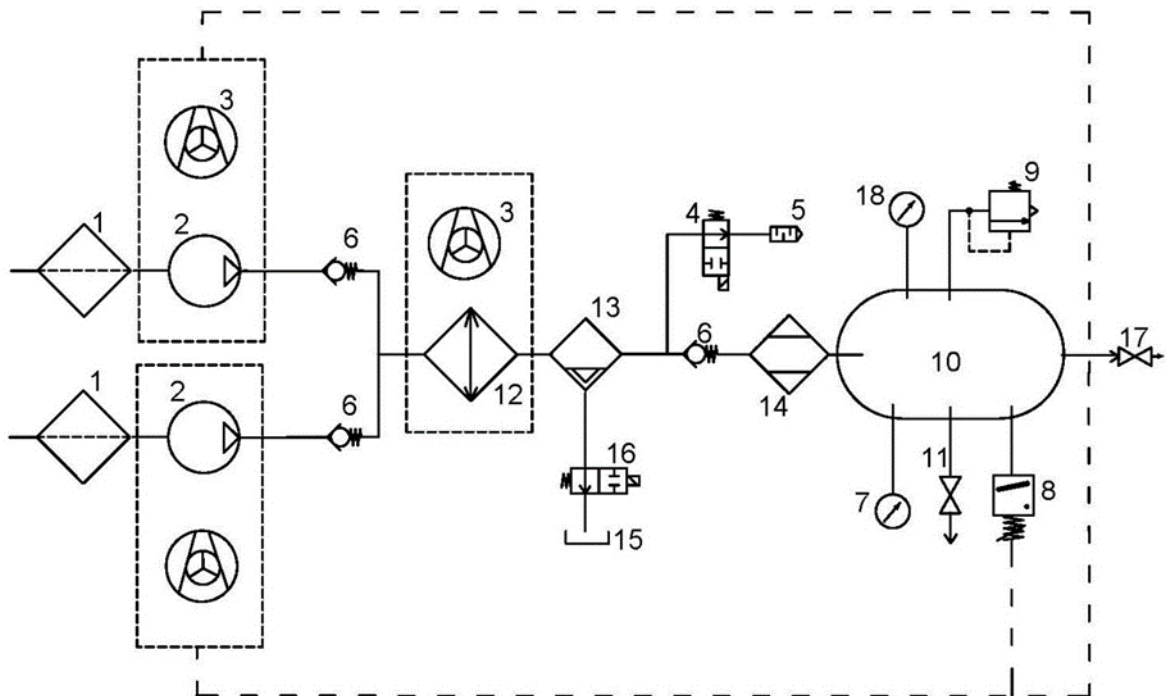


DK50 2V/50



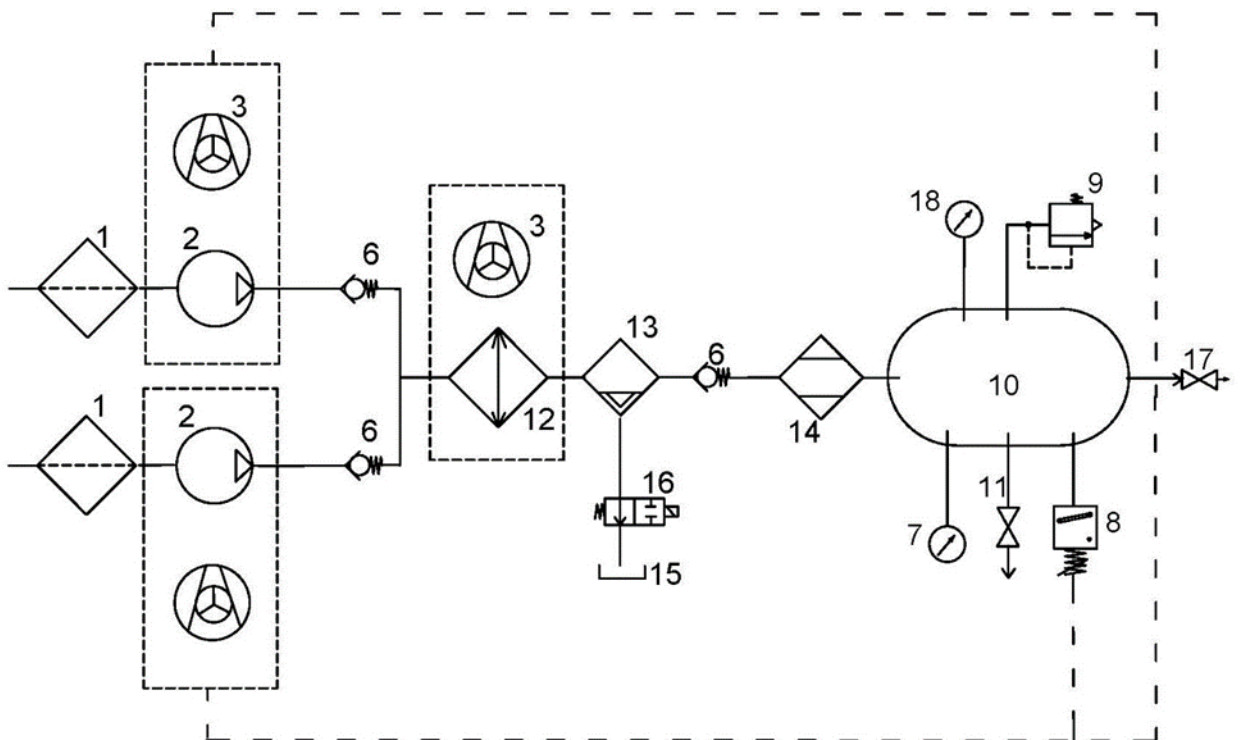
DK50 2x2V/110/M

230V



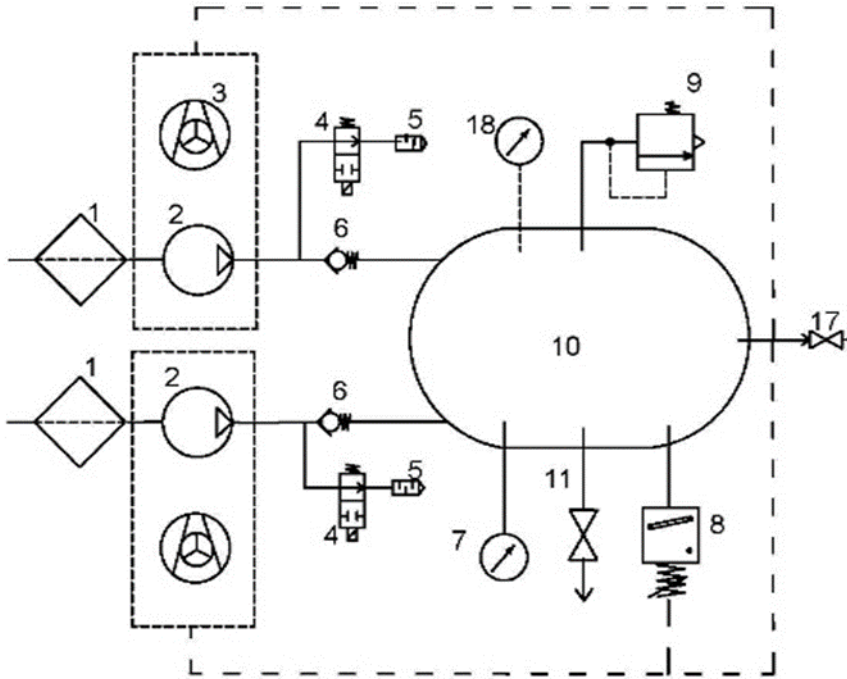
DK50 2x2V/110/M

400V



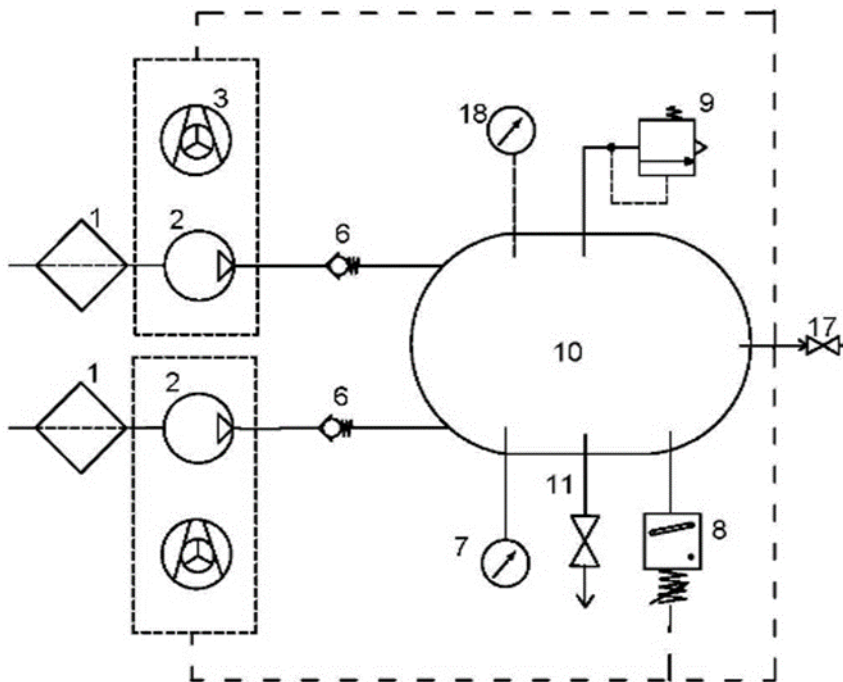
DK50 2x2V/110

230V



DK50 2x2V/110

400V



Beschreibung des Druckluftplans:

1	Ansaugfilter	10	Drucklufttank
2	Kompressor	11	Ablassventil
3	Lüfter	12	Kühler
4	Entlüftungsventil	13	Koaleszenzfilter
5	Schalldämpfer	14	Membrantrockner
6	Rückschlagventil	15	Kondensatauffangbehälter
7	Manometer	16	Magnetventil an Kondensatablauf
8	Druckschalter	17	Ausgangsventil
9	Sicherheitsventil	18	Schrank-Druckmesser

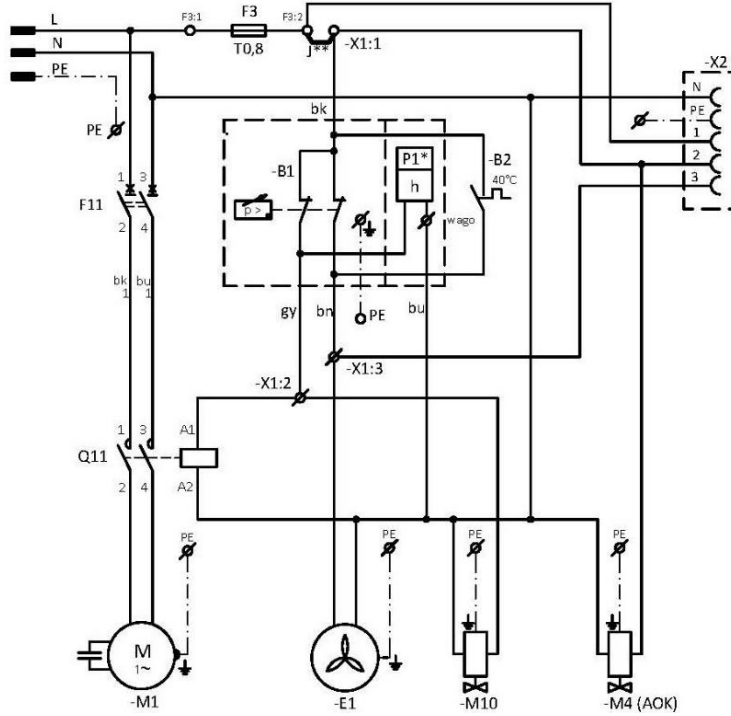
14.2. Elektroschaltpläne

DK50 2V/50

6 - 8 bar, 8 - 10 bar

1/N/PE ~ 230V/50Hz, 230V/60Hz

ELEKTRISCHE OBJEKTKLASSE 1

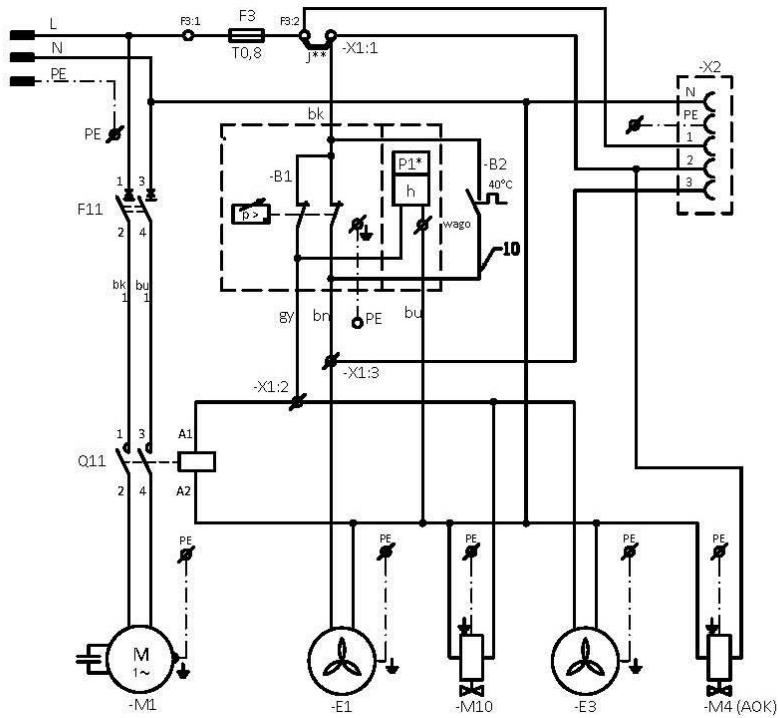


DK50 2V/50/M

6 - 8 bar, 8 - 10 bar

1/N/PE ~ 230V/50Hz, 230V/60Hz

ELEKTRISCHE OBJEKTKLASSE 1



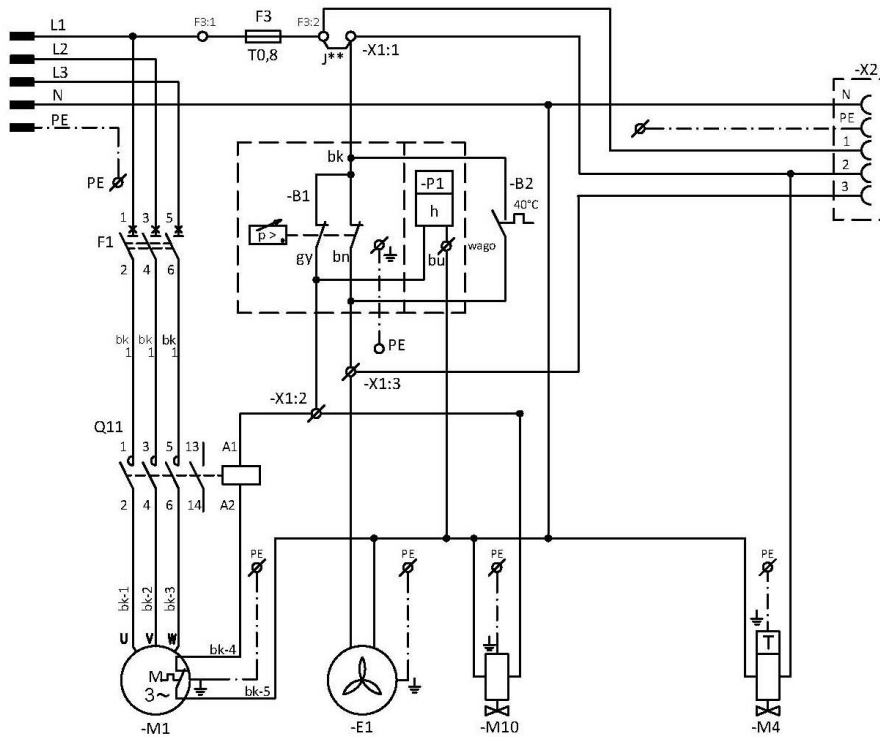
DK50 2V/50

6 - 8 bar

1/N/PE ~ 400V 50 Hz

NETZ TN-S [TN-C-S]

ELEKTRISCHE OBJEKTKLASSE 1



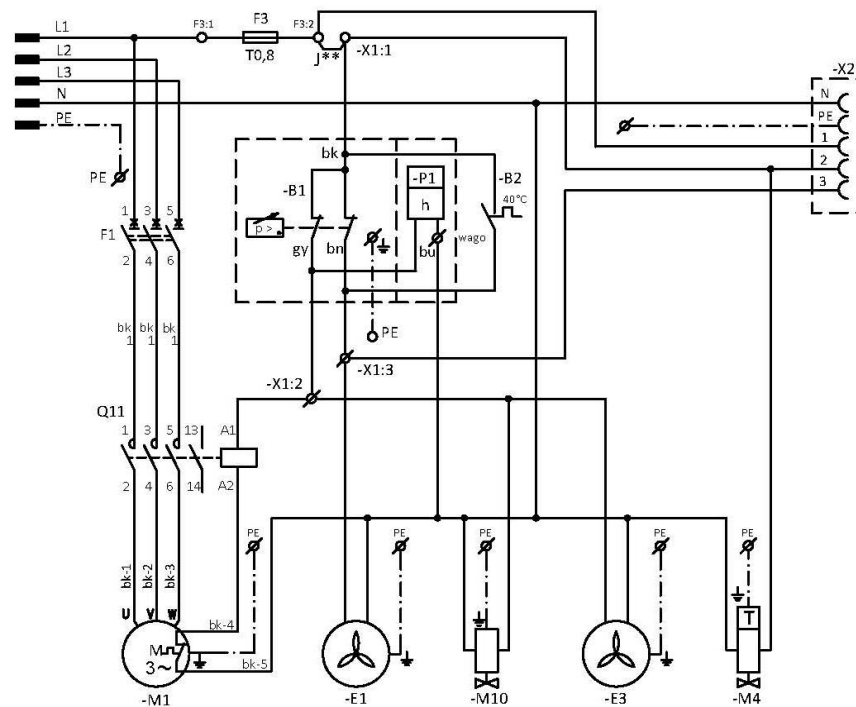
DK50 2V/50/M

6 - 8 bar

1/N/PE ~ 400V 50 Hz

NETZ TN-S [TN-C-S]

ELEKTRISCHE OBJEKTKLASSE 1

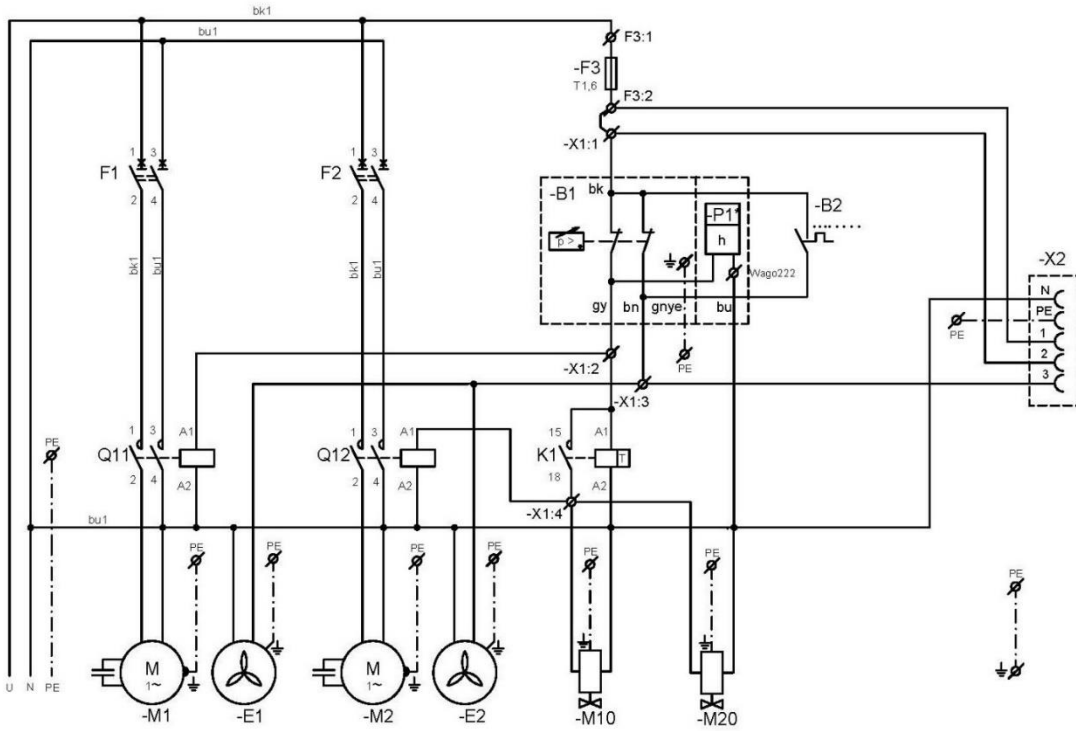


DK50 2x2V/110

5 - 7 bar, 6 - 8 bar, 8 - 10 bar

1/N/PE ~ 230 V, 50/60 Hz

ELEKTRISCHE OBJEKTKLASSE 1

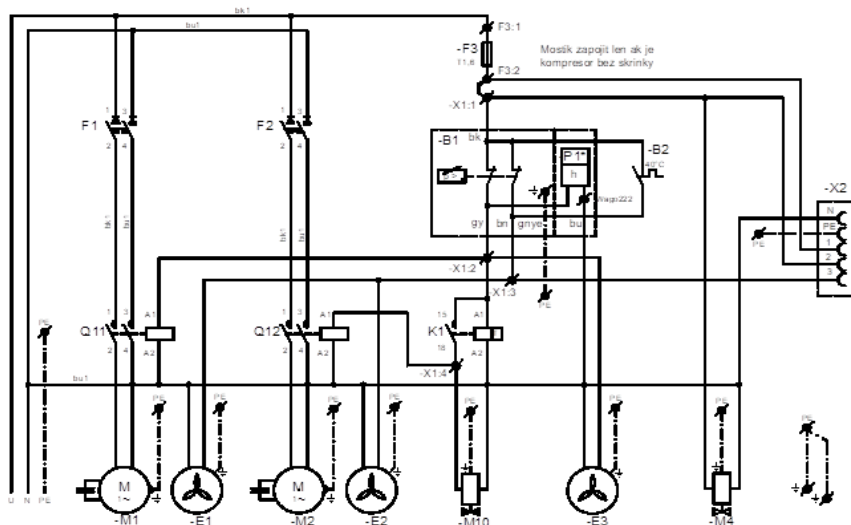


DK50 2x2V/110/M

5 - 7 bar, 6 - 8 bar

1/N/PE ~ 230 V, 50/60 Hz

ELEKTRISCHE OBJEKTKLASSE 1

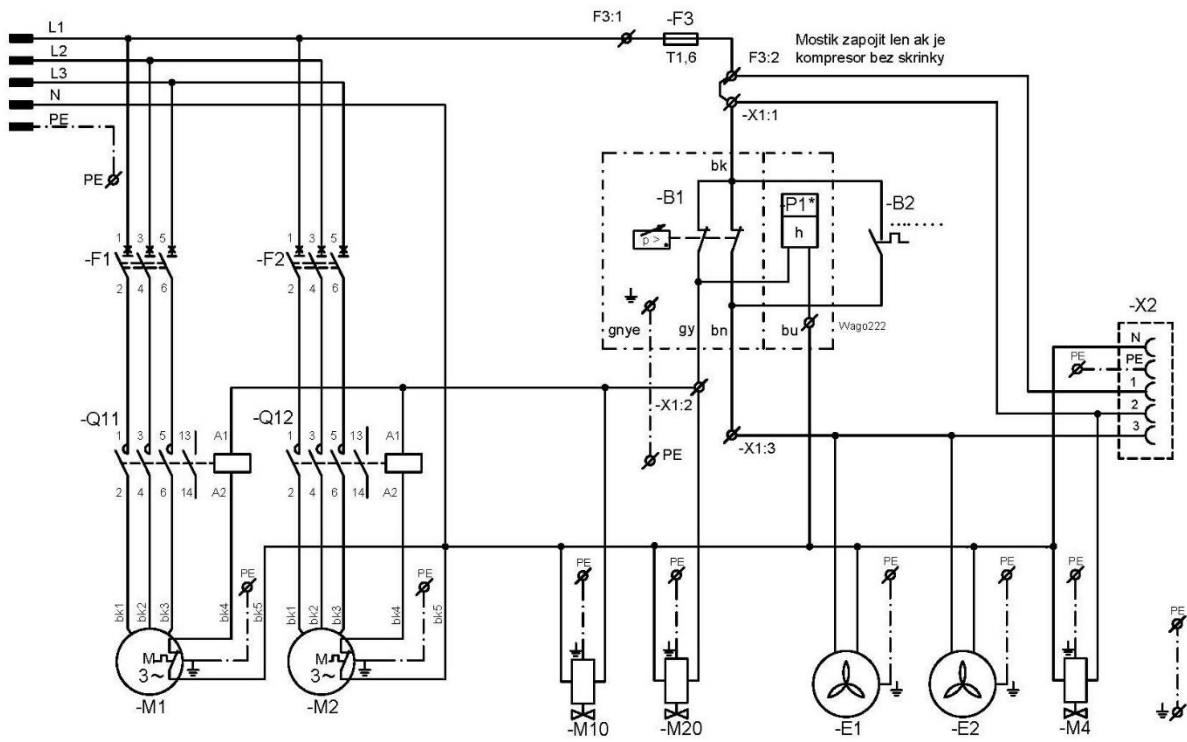


DK50 2x2V/110

5 - 7 bar, 6 - 8 bar, 8 - 10 bar

1/N/PE ~ 230 V, 50/60 Hz

ELEKTRISCHE OBJEKTKLASSE 1

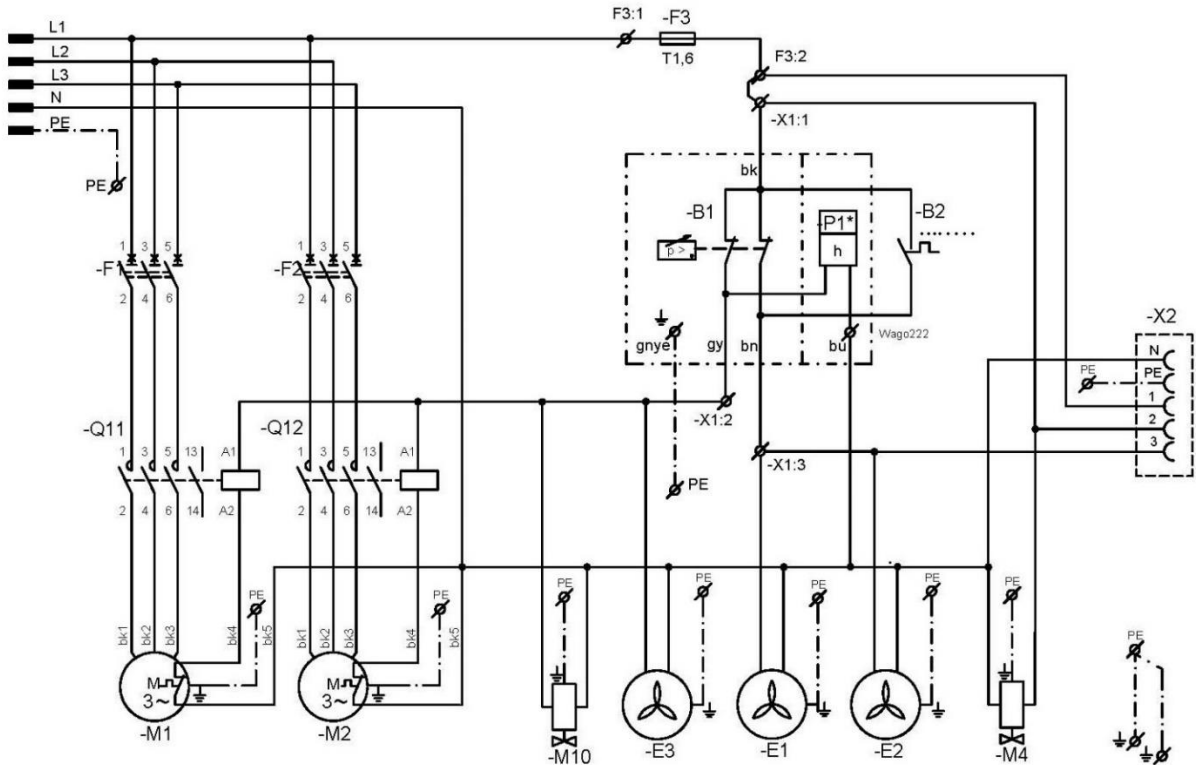


DK50 2x2V/110/M

5 - 7 bar, 6 - 8 bar, 8 - 10 bar

1/N/PE ~ 230 V, 50/60 Hz

ELEKTRISCHE OBJEKTKLASSE 1

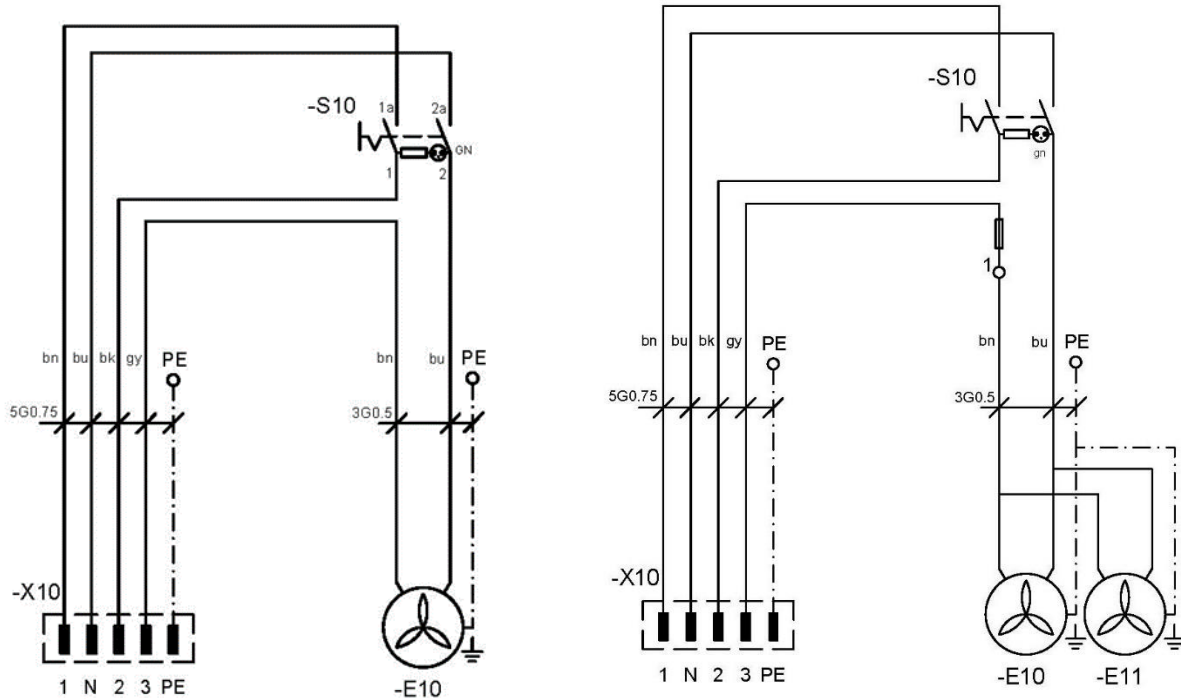


Kompressorgehäuse

1/N/PE ~ 230V/50Hz, 230V/60Hz Hz

~ 115V/60Hz

ELEKTRICKÝ PREDMET TR.1

**DK50 2V/50S****DK50 2x2V/110S****Beschreibung der Elektroschaltpläne:**

M1, M2	Kompressormotor	B1	Druckschalter
E1, E2	Kompressorlüfter	X1	Klemmblock
E3	Trocknerlüfter	M4	Kondensatablassventil
M10, M20	Abllassventil	P1	Stundenzähler
B2	Temperaturschalter	S10	Schalter
E10, E11	Gehäuselüfter	K1	Zeitrelais
X2	Buchse	F1,2	Trennschalter
		F3	Sicherung
		Q11,12	Schutz

Hinweis:

- J** - Schließen Sie nur den Jumper für Kompressoren ohne Schrank an (siehe Kapitel 17.10)
- P1* - Das Kompressormodell mit 8–10 bar ist mit einem Stundenzähler ausgestattet

BETRIEB

DAS GERÄT DARF NUR DURCH GESCHULTES PERSONAL BEDIENT WERDEN!



Stromschlaggefahr

Trennen Sie bei Gefahr den Kompressor vom Stromnetz (Netzstecker ziehen).



Verbrennungs- oder Brandgefahr.

Während des Kompressorbetriebs können die Pumpenteile Temperaturen erreichen, die für den Kontakt mit Personen oder Materialien gefährlich sein können.



Achtung – Kompressor wird automatisch gesteuert.

Automatischer Start. Sinkt der Druck im Druckluftbehälter unter den Einschaltdruck, schaltet sich der Kompressor automatisch ein. Der Kompressor schaltet sich automatisch aus, wenn der Druck im Druckluftbehälter den Abschaltdruck erreicht.



Beschädigungsgefahr für Pneumatikkomponenten.

Die Einstellungen des Arbeitsdrucks für den Druckschalter, die vom Hersteller gemacht wurden, können nicht geändert werden. Läuft der Kompressor bei höheren Betriebsdrücken als dem Einschaltdruck, ist der Druckluftverbrauch zu hoch (siehe Kapitel fehlerbehebung).



Beschädigungsgefahr für den Trockner.

Wird der Trockner bei höheren Umgebungstemperaturen als der max. zulässigen Betriebstemperatur (wie in den Technischen Daten angegeben) betrieben, kann der Trockner beschädigt werden.



Die erforderliche Trocknungsleistung kann nur erreicht werden, wenn die festgelegten Betriebsbedingungen eingehalten werden.

Die Trocknungsleistung lässt nach und der erreichte Taupunkt sinkt, wenn der Trockner bei einem Druck unterhalb des Mindestarbeitsdrucks betrieben wird.



Bei einem längeren Betrieb des Kompressors steigt die Temperatur in unmittelbarer Nähe des Kompressors auf über 40 °C und der Kühlerlüfter schaltet sich automatisch ein. Wurde die Temperatur auf unter 32 °C abgekühlt, schaltet sich der Lüfterschalter wieder aus.

15. EINSCHALTEN DES KOMPRESSORS

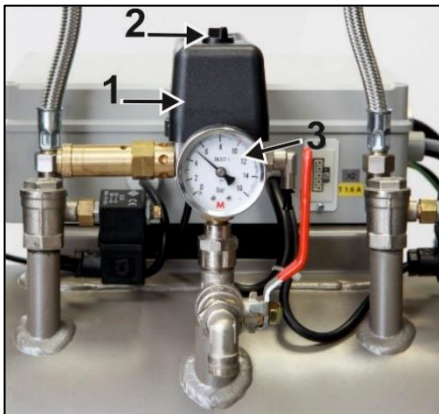
Starten Sie den Kompressor (ohne Gehäuse) am Druckschalter (1), indem Sie den Schalter (2) auf Position „I“ stellen. Dadurch wird der Kompressor gestartet und der Tank bis zum Ausschaltdruck gefüllt, wodurch der Kompressor abgeschaltet wird.

Starten Sie den Kompressor (mit Gehäuse) über den Schalter (4) an der Vorderseite des Gehäuses. Die Anzeige leuchtet grün. Dies startet den Kompressor und füllt den Tank bis zum Ausschaltdruck, was den Kompressor abschaltet.

Der Kompressor läuft im Automatikmodus und wird durch den Druckschalter basierend auf dem Druckluftverbrauch ein- und ausgeschaltet.

Überprüfen Sie die Werte des Ein- und Ausschaltdrucks mithilfe des Druckmessers (3). Eine Toleranz von $\pm 10\%$ ist zulässig. Der Druck im Druckluftbehälter darf den zulässigen Betriebsdruck nicht überschreiten.

Abb. 13: Einschalten des Kompressors



Der Kompressor funktioniert gemäß Betriebsanleitung wie folgt:

- **Kompressor (ohne Trockner)** – bei der ersten Inbetriebnahme befüllt der Kompressor den Druckluftbehälter bis zum Abschaltdruck und der Druckschalter schaltet den Kompressor aus. Der Kompressor läuft jetzt im Automatikmodus und wird durch den Druckschalter abhängig vom Druckluftverbrauch ein- und ausgeschaltet.
- **Kompressor mit Trockner** – der Kompressor läuft so, wie oben beschrieben, nur strömt die Druckluft hier durch den Kühler, um Feuchtigkeit aus der Druckluft zu entfernen



Beschädigungsgefahr für Pneumatikteile.

Der Druckschalter (1) wurde durch den Hersteller eingestellt. Eine weitere Einstellung darf nur durch einen qualifizierten Techniker vorgenommen werden, der durch den Hersteller geschult wurde.

16. AUSSCHALTEN DES KOMPRESSORS

- Das Ausschalten des Kompressors für Wartungsarbeiten oder aus anderen Gründen erfolgt über den Druckschalter (1), indem der Schalter (2) auf die Position „0“ (Abb. 13) gestellt und **der Netzstecker aus der Steckdose gezogen wird**. Damit wird der Kompressor von der Netzstromversorgung getrennt.
- Lassen Sie die Druckluft im Druckluftbehälter durch Öffnen des Ablassventils vollständig ab. (Abb. 7)

PRODUKTWARTUNG**17. PRODUKTWARTUNG**

Der Bediener muss die Geräte in den vorgeschriebenen Intervallen kontrollieren. Die Prüfergebnisse müssen aufgezeichnet werden.

Das Gerät wurde konstruiert und hergestellt, um den Wartungsaufwand gering zu halten. Führen Sie die folgenden Schritte aus, um den korrekten und zuverlässigen Betrieb des Kompressors sicherzustellen:



Die Instandhaltung durch Personen ohne die erforderliche Qualifikation birgt Risiken.

Reparaturen, die über eine normale Wartung hinausgehen (siehe Kapitel 17.1 - Wartungsintervalle) dürfen nur durch einen qualifizierten Techniker (durch den Hersteller autorisiertes Unternehmen) oder durch den Kundendienst des Herstellers ausgeführt werden.

Normale Wartungsarbeiten (siehe Kapitel 17.1 - Wartungsintervalle) dürfen nur durch einen geschulten Bediener ausgeführt werden.

Verwenden Sie ausschließlich vom Hersteller genehmigte Ersatzteile und Zubehörteile.



Verletzungsgefahr und Beschädigungsgefahr für das Gerät.

Folgende Schritte sind vor Beginn jeglicher Wartungsarbeiten auszuführen:

- **Überprüfen Sie, ob es möglich ist, den Kompressor von dem bereitgestellten System so zu trennen, dass keine Gefahr von Sachschäden oder Verletzungen für Personen besteht, die das jeweilige Gerät benutzen.**
- **Schalten Sie den Kompressor aus.**
- **Trennen sie ihn vom Stromnetz (Netzstecker ziehen).**
- **Lassen Sie die Druckluft aus dem Druckluftbehälter ab.**



Beim Ablassen der Druckluft besteht Verletzungsgefahr.

Schützen Sie Ihre Augen – tragen Sie eine Schutzbrille, wenn Sie Druckluft aus dem Druckluftsystem des Kompressors (Druckluftbehälter) ablassen.



Verbrennungsrisiko.

Pumpenkomponenten (Köpfe, Zylinder, Druckluftschlauch) sind während des Kompressorbetriebs und direkt danach sehr heiß – Komponenten nicht berühren!

Lassen Sie das Gerät vor Beginn von Wartungs- oder Servicearbeiten oder vor dem Anschließen an/Trennen von Druckluft abkühlen.



Der während der Servicearbeiten ausgebaute Erdungsleiter muss nach Beendigung der Arbeiten wieder an seiner ursprünglichen Position verbunden werden.

- Für Wartungs- oder Reparaturarbeiten kann der Kompressor aus dem Gehäuse herausgezogen werden (auf Lenkrollen und so weit, wie es das Kabel zwischen Kompressor und Schrank erlaubt; siehe auch Kap. 17). Danach können die erforderlichen Wartungs- oder Reparaturarbeiten durchgeführt werden.
- Löst sich das Kabel zwischen Kompressor und Gehäuse (durch Ziehen des Netzsteckers, siehe Kap. 12.2), funktioniert der Kompressor nicht mehr. Um den Kompressor wieder in Betrieb zu nehmen, befolgen Sie bitte die Anweisungen aus Kap. 12.2 oder 17.10 oder 0

17.1. Wartungsintervalle

Zeitintervall e)	50 Hz		60 Hz		Einmal täglich	Einmal wöchentlich	Einmal jährlich	Alle 2 Jahre	2000 Std	4000 Std	6000 Std	8000 Std	10000 Std	12000 Std	Kap.	Ersatzteil-Kit	Ausgeführt durch
	50 Hz	60 Hz	50 Hz	60 Hz													
Produktbetrieb überprüfen	x				x										17.2	-	Bediener
Kondensat aus Druckluftbehälter ablassen b) - Bei hoher Feuchtigkeit	x				x										17.5	-	Bediener
Kondensat aus Druckluftbehälter ablassen b) - Bei normaler Feuchtigkeit						x									17.5	-	Bediener
Produktfunktion überprüfen						x									8	-	Bediener
Auf Undichtigkeiten an den Druckluftanschlüssen überprüfen und Geräteinspektion							x								17.3	-	Qualifizierter Techniker
Elektrischen Anschluss überprüfen							x								17.4	-	Qualifizierter Techniker
Lüfter und Kühler überprüfen							x								17.9	-	Qualifizierter Techniker
Filterelement in Trocknerfilter austauschen DK50 2x2V/110															17.8	025200305-000	Qualifizierter Techniker
Filterelement in Trocknerfilter austauschen DK50 2V/50							x								17.8	025200304-000	Qualifizierter Techniker
Sicherheitsventil überprüfen							x								17.6	-	Qualifizierter Techniker
Austausch des Ansaugfilters und Vorfilters am DK50 2V-Aggregat a)								x				x			17.7	025200139-000 025200150-000	Qualifizierter Techniker

a) Daten werden in Stunden angegeben; falls nicht möglich, werden die Daten in Jahren angegeben
 b) Gilt für Kompressoren ohne Trockner
 c) Das Zeitintervall reduziert sich um 20 % für die Kompressor Modelle mit 60 Hz
 (2000 Std./1600 Std., 4000 Std./3200 Std., 6000 Std./4800 Std., 8000 Std./6400 Std., 10000 Std./8000 Std., 12000 Std./9600 Std.)

17.2. Produktbetrieb überprüfen

- Pumpenzustand prüfen – die Pumpen müssen normal, ohne übermäßige Schwingung oder Geräuschentwicklung laufen. Suchen Sie bei negativen Prüfergebnissen die Ursache dafür oder rufen Sie einen Servicetechniker.
- Kontrollieren Sie die Lüfterfunktion (visuell) – die Lüfter müssen bei Pumpenbetrieb laufen. Suchen Sie bei negativen Prüfergebnissen nach der Ursache dafür oder rufen Sie einen Servicetechniker.
- Überprüfen Sie das Netzkabel und die Druckluftschläuche auf Unversehrtheit. Ersetzen Sie die beschädigten Teile oder rufen Sie einen Servicetechniker.
- Überprüfen Sie die Umgebungstemperatur – die Umgebungstemperatur muss unter der Temperaturobergrenze (40 °C) liegen. Ist die Temperatur höher, verbessern Sie die Kühlung im Raum.
- Bei Kompressoren mit Trockner – öffnen Sie den Stopfen am Kondensatsammelbehälter und lassen Sie das Kondensat ab

17.3. Auf Undichtigkeiten an den Druckluftanschlüssen überprüfen und Geräteinspektion

Dichtigkeitsprüfung

- Überprüfen Sie die Druckluftanschlüsse des Kompressors, wenn der Kompressor in Betrieb ist – Druckaufbau.
- Verwenden Sie ein Lecksuchgerät oder Seifenwasser, um alle Verbindungen auf Undichtigkeiten zu überprüfen. Verbindungen, an denen Undichtigkeiten festgestellt wurden, müssen festgezogen oder gelockert werden.

Geräteprüfung

- Überprüfen Sie den Zustand der Kompressorpumpe – reibungsloser Betrieb, angemessener Geräuschpegel.
- Überprüfen Sie die Lüfterfunktion – die Lüfter müssen in den festgelegten Zyklen des Kompressorbetriebs laufen.
- Überprüfen Sie die Funktion des Temperaturschalters (B2) – erwärmen Sie den Temperaturschalter auf mehr als 40 °C (z. B. mithilfe einer Heißluftpistole – Achtung, nicht bei hohen Temperaturen an Kunststoffteilen in der Nähe bedienen, dies kann zur Verformung von Kunststoffteilen führen). Der Lüfter EV1, EV2 (und EV3 – Kompressor mit Trockner) schaltet ein, wenn die Temperatur 40 °C erreicht – der Kompressor muss unter Spannung stehen.
- Überprüfen Sie den Filterzustand – die Filter müssen unbeschädigt und ausreichend sauber sein.
- Überprüfen Sie den Zustand der Pumpe selbst und achten Sie darauf, dass weder Verschmutzungen noch Spiel im Kurbelwellengehäuse vorhanden sind.
- Ersetzen Sie bei Ausfällen alle defekten Teile

17.4. Elektrische Anschlüsse überprüfen



Stromschlaggefahr.

Überprüfen Sie die elektrischen Anschlüsse am Gerät, nachdem dieses vom Netzstrom getrennt wurde.

- Überprüfen Sie die mechanische Funktion des Netzschalters.

- Überprüfen Sie das Netzkabel und die Stromleiter auf Unversehrtheit.
- Überprüfen Sie, ob die Kabel am Anschlusskasten angeschlossen sind (Sichtprüfung).
- Überprüfen Sie alle Schraubverbindungen der grün-gelben PE-Erdungsleiter.

17.5. Kondensatablauf



Öffnen Sie das Ablassventil vorsichtig und langsam. Wird das Ablassventil zu weit geöffnet, ist ein sehr lauter Ton zu hören und das angesammelte Kondensat wird unkontrolliert ausgestoßen.



Schalten Sie den Kompressor vor jedem Entleeren des Behälters aus!



Bei einem Behälterüberlauf besteht Rutschgefahr auf nassem Boden.

Kompressor

Im Normalbetrieb wird empfohlen, Kondensat aus dem Druckluftbehälter abzulassen.

- Schalten Sie den Kompressor über den Netzschalter aus und reduzieren Sie die Druckluft im Gerät auf max. 1 bar, durch Ablassen der Luft über das angeschlossene Gerät.
- Schließen Sie den Schlauch mit dem Kondensatablassventil an den vorbereiteten Behälter an und lassen Sie Kondensat aus dem Behälter ab, indem Sie das Ablassventil (1) öffnen.

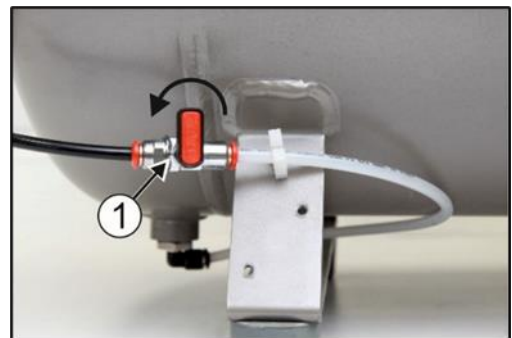


Abb. 14: Kondensatablauf aus dem Druckluftbehälter

Kompressor können mit einem automatischen Kondensatablauf (AOK) ausgestattet werden, der den Ablauf von Kondensat aus dem Druckluftbehälter ermöglicht, ohne dass der Bediener tätig werden muss (siehe Kapitel ZUBEHÖR).

Kompressoren mit Luftrocknern

Das Kondensat aus Kompressoren mit Luftrocknern wird automatisch in den Kondensatauffangbehälter abgelassen.

- Überwachen Sie den Füllstand im Behälter mithilfe der 1-L- oder 2-L-Markierungen (je nach Fassungsvermögen des Behälters) und entleeren Sie den Behälter mindestens einmal täglich



Abb. 15: Überprüfen des Kondensatauffangbehälter



Folgende Schritte sind vor den nachfolgenden Überprüfungen erforderlich:

- Kompressoren mit Gehäuse – Lösen Sie die Türverriegelung und öffnen Sie die Schaltschranktür.

17.6. Sicherheitsventil überprüfen

- Drehen Sie die Schraube (2) am Sicherheitsventil (1) mehrere Umdrehungen nach links, bis das Sicherheitsventil Luft ablässt.
- Das Sicherheitsventil einige Sekunden ausblasen lassen.
- Drehen Sie die Schraube (2) bis zum Anschlag nach rechts. Das Ventil muss jetzt geschlossen sein.

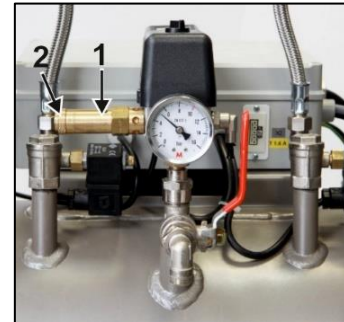


Abb. 16: Sicherheitsventil überprüfen



Bei beschädigtem Sicherheitsventil besteht das Risiko eines Druckanstiegs.

Das Sicherheitsventil darf nicht zum Druckablassen aus dem Druckbehälter genutzt werden. Das könnte die Funktion des Sicherheitsventils schädigen. Das Ventil wurde auf den maximal zulässigen Druck eingestellt, geprüft und gekennzeichnet.

Die Einstellungen des Sicherheitsventils dürfen nicht geändert werden.



Beim Ablassen von Druckluft besteht Verletzungsgefahr.

Schützen Sie Ihre Augen beim Überprüfen des Sicherheitsventils – tragen Sie eine Schutzbrille.

17.7. Austausch des Ansaugfilters und Vorfilters

Der Ansaugfilter (1) befindet sich im Kurbelwellengehäuse des Kompressors.

Austausch des Ansaugfilters:

- Ziehen Sie den Gummistopfen mit der Hand heraus (2).
- Entfernen Sie den gebrauchten Filter (1).
- Setzen Sie einen neuen Filter ein und setzen Sie den Gummistopfen wieder ein.

Austausch des Vorfilters:

- Ziehen Sie den Vorfilter mit der Hand heraus (3).
- Tauschen Sie das Element aus und setzen Sie es erneut ein.

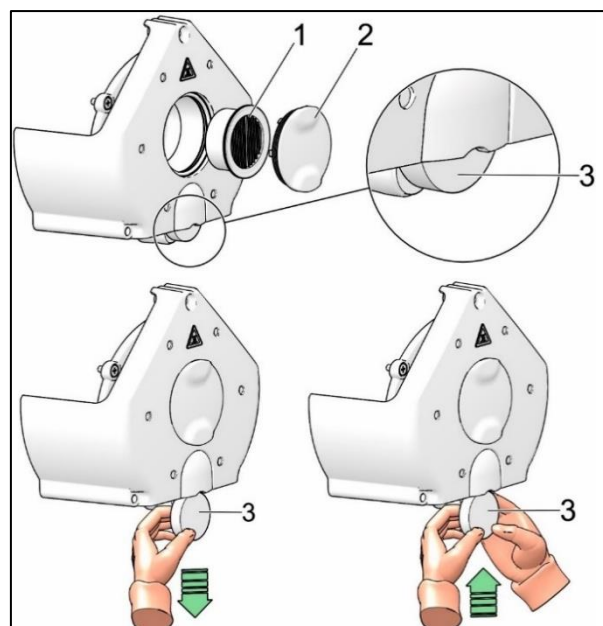


Abb. 17: Austausch des Ansaugfilters und Vorfilters

17.8. Austausch des Filterelements

- Entfernen Sie den Schlauch (1) aus der Schnellkupplung.
- Lösen Sie den Filterbecher (3) mithilfe eines Schraubenschlüssels (2) und bauen Sie ihn aus.
- Bauen Sie das Filterelement (4) aus, indem Sie es nach unten ziehen.
- Setzen Sie ein neues Filterelement ein.
- Montieren Sie den Filterbecher.
- Ziehen Sie den Filterbecher leicht mit einem Schraubenschlüssel fest.
- Verbinden Sie den Schlauch wieder mit der Schnellkupplung.

Abb. 18: Austausch des Filterelements



17.9. Lüfter und Kühler überprüfen

Die Ausrüstung, insbesondere der Kompressorventilator, der Kühlerlüfter (21) und der Kühler (14), muss sauber gehalten werden, um eine effiziente Trocknerleistung zu gewährleisten. Entfernen Sie Staub vom Ventilator oder von den Kühlrippen und verwenden Sie hierzu einen Staubsauger oder Druckluft. (Abb. 2)

17.10. Vorgehensweise zum Anschließen eines vom Schaltschrank getrennten Kompressors



Vor jeder Wartungs- oder Reparaturarbeit ist der Kompressor auszuschalten und durch Ziehen des Netzsteckers vom Stromnetz zu trennen.

Es ist notwendig, dass bei einem Kompressor (ohne Gehäuse) der Jumper immer an die Klemmleiste montiert wird, damit der ordnungsgemäße Betrieb gewährleistet ist (Abb. 19, Abb. 20 Pos. D). Dies ersetzt dann den Schalter am Gehäuse.



Befindet sich kein Jumper auf der Klemmleiste des Kompressors, (vom Schaltschrank getrennt) funktioniert der Kompressor nicht!

Löst sich das Kabel zwischen Kompressor und Gehäuse (durch Ziehen des Netzsteckers) und wird der Kompressor aus dem Gehäuse entfernt, funktioniert der Kompressor nicht mehr. Aus diesem Grund muss zunächst eine Verbindung zur Klemmleiste mit einem Jumper hergestellt werden (dies ersetzt die Funktion des Trennschalters; (Abb. 19, Abb. 20 Pos. A).

PROZESS:**Jumper-Installation (A-B-C-D-Prozess)**

- Trennen Sie das Gerät vom Stromnetz, indem Sie den Stecker aus der Steckdose ziehen.
- Entfernen Sie die Abdeckung von der Schalttafel (des Kompressors).
- Der Jumper befindet sich nicht auf der Klemmleiste – A
- Heben Sie die Sicherungsabdeckung an – B
- Setzen Sie den Jumper in die Klemmleiste ein – C
- Schließen Sie die Sicherungsabdeckung – D
- Bringen Sie die Abdeckung der Schalttafel wieder an.
- Schließen Sie das Gerät an das Stromnetz an.
- Aktivieren Sie den Kompressor, indem Sie den Schalter auf dem Druckschalter einschalten.

Kompressor – Bei einem Betrieb außerhalb des Schaltschranks **MUSS** die elektrische Verbindung mithilfe eines Jumpers hergestellt werden (Abb. 19, Abb. 20 Pos. D)

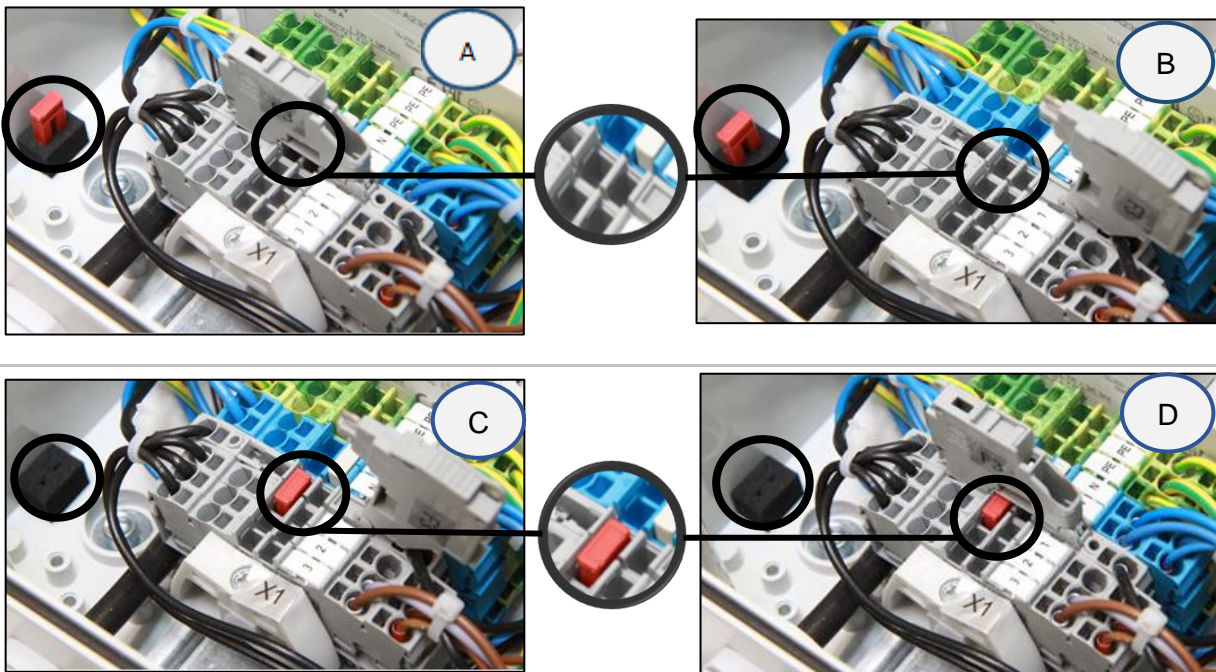
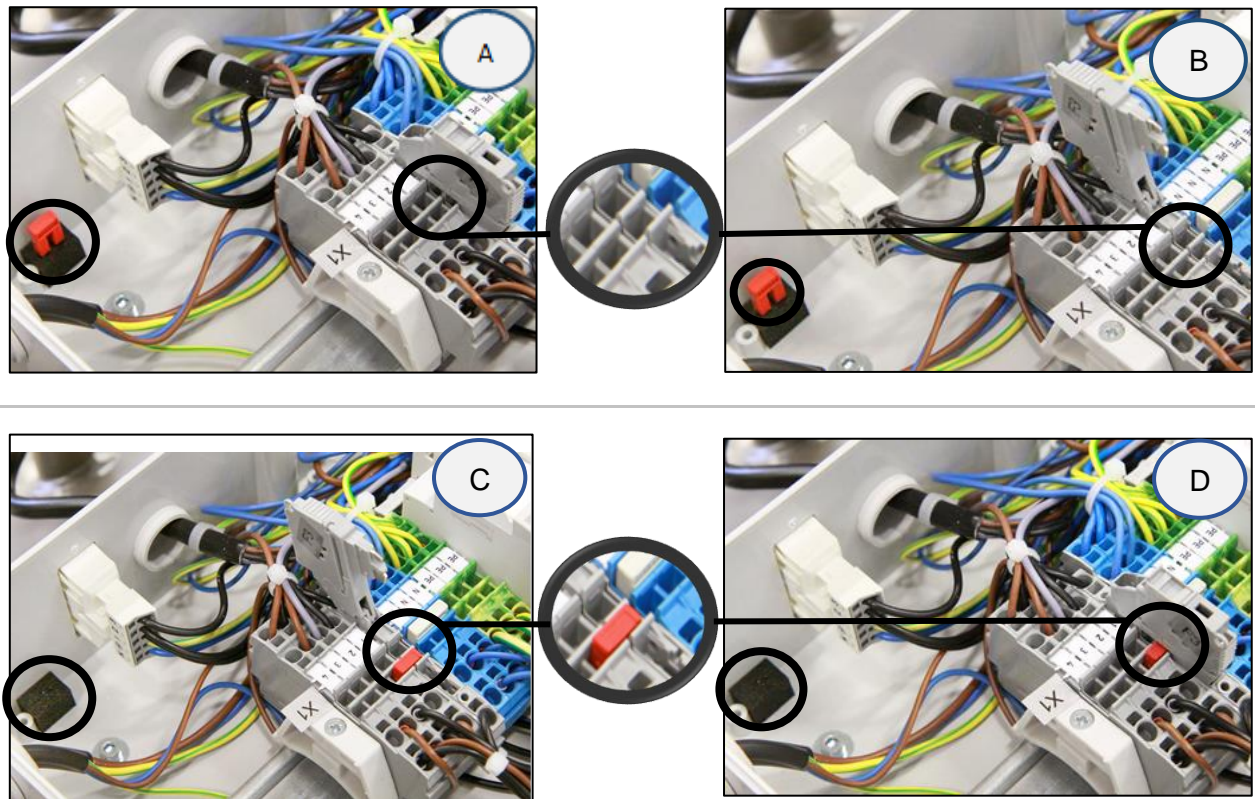
Abb. 19: DK50 2V/50**230 V**

Abb. 20:DK50 2x2V/110



230 V

17.11.Vorgehensweise zum Anschließen eines Kompressors an einen neuen Schaltschrank



Vor jeder Wartungs- oder Reparaturarbeit ist der Kompressor auszuschalten und durch Ziehen des Netzsteckers vom Stromnetz zu trennen.

Es ist notwendig, dass bei einem Kompressor (mit Gehäuse) der Jumper nicht an die Klemmleiste montiert wird, damit der ordnungsgemäße Betrieb gewährleistet ist (Abb. 19, Abb. 20 Pos. A). Der Schalter am Gehäuse dient dem Ein- und Ausschalten des gesamten Geräts (einschließlich des Kompressors).



Wenn ein Jumper mit der Klemmleiste des Gehäuses verbunden ist, funktioniert der Schalter am Kompressorgehäuse nicht!

Wenn ein neuer Schaltschrank an einen Kompressor angeschlossen werden soll, der zuvor separat gearbeitet hat (Kompressor ohne Gehäuse), muss die Verbindung auf der Klemmleiste unterbrochen werden; mehr zur konkreten Vorgehensweise erfahren Sie weiter unten (Abb. 19, Abb. 20). (Siehe auch Kap. 12.1. und 12.2).

PROZESS:

Entfernen des Jumpers (D-C-B-A-Prozess)

- Trennen Sie das Gerät vom Stromnetz, indem Sie den Stecker aus der Steckdose ziehen.
- Entfernen Sie die Abdeckung von der Schalttafel (des Kompressors).

- Der Jumper befindet sich auf der Klemmleiste – D
- Heben Sie die Sicherungsabdeckung an – C
- Entfernen Sie den Jumper von der Klemmleiste – B
- Schließen Sie die Sicherungsabdeckung – A
- Bringen Sie die Abdeckung der Schalttafel wieder an.
- Setzen Sie den Kompressor in die Box ein.
- Verbinden Sie den Schaltschrank mit dem Kompressor, indem Sie den Stecker (1) des Netzkabels in die Steckdose (2) stecken. (Abb. 12)
- Schließen Sie das Gerät an das Stromnetz an.
- Aktivieren Sie den Kompressor, indem Sie den Schalter auf dem Druckschalter und den Schalter (4) am Gehäuse einschalten (Abb. 13).

Kompressor mit Gehäuse – Beim Betrieb in einem Schaltschrank **darf keinerlei** elektrischer Anschluss vorhanden sein. (Abb. 19, Abb. 20 Pos. A).

Hinweis: **Bei Verwendung eines Kompressors ohne Gehäuse oder beim Ausführen von Wartungsarbeiten müssen Jumper, die nicht an der Klemmleiste installiert sind, an einem gesonderten Ort neben der Schalttafel aufbewahrt werden.**

17.12. Reinigung von Produktaußenflächen

Zur Reinigung der Produktaußenflächen nur neutrale Mittel benutzen.



Anwendung von Alkohol und Chlorid enthaltenden aggressiven Reinigungsmitteln kann zur Produktoberflächenbeschädigungen und zur deren Verfärbung führen.

18. LANGFRISTIGE AUßERBETRIEBNAHME

Wird der Kompressor längere Zeit nicht genutzt, ist es empfehlenswert, das Kondensat aus dem Druckluftbehälter abzulassen und den Kompressor dann für 10 Minuten mit geöffnetem Kondensatablassventil (1) (Abb. 14) laufen zu lassen. Schalten Sie den Kompressor anschließend durch Betätigung des Schalters (2) auf dem Druckschalter (1) (Abb. 13) aus, schließen Sie das Ablassventil und trennen Sie das Gerät vom Stromnetz.

19. ENTSORGUNG DES GERÄTS

- Trennen Sie das Gerät von der Stromversorgung.
- Lassen Sie die Druckluft durch Öffnen des Ablassventils (1) (Abb. 17) aus dem Druckluftbehälter ab.
- Entsorgen Sie das Gerät gemäß den relevanten örtlichen Vorschriften.
- Beauftragen Sie ein entsprechendes Fachunternehmen mit der Abfalltrennung und -entsorgung.
- Die Produktkomponenten haben nach Ende ihrer Verwendungsdauer keine schädlichen Auswirkungen auf die Umwelt.

FEHLERBEHEBUNG



Stromschlaggefahr

Trennen Sie das Gerät von der Stromversorgung (Netzstecker ziehen), bevor Sie eine der folgenden Arbeiten am Gerät ausführen.



Bei Arbeiten an den Druckluftkomponenten unter Druck besteht Verletzungsgefahr.

Bevor Sie eine der folgenden Arbeiten am Gerät ausführen, reduzieren Sie den Druck im Druckluftbehälter und im Pneumatiksystem auf null.



Alle Arbeiten, um Fehler und Störungen zu beheben, dürfen nur durch einen qualifizierten Techniker ausgeführt werden.

Störung	Mögliche Ursache	Lösung
Kompressor schaltet nicht ein	Keine Spannung am Druckschalter	Spannung an der Steckdose überprüfen
		Trennschalter überprüfen – Auf die Position EIN „I“ stellen
		Lose Klemme an der Klemmleiste – festziehen
		Stromkabel überprüfen – defektes Kabel ersetzen
	Unterbrechung der Motorwicklung, Wärmeschutz beschädigt	Motor oder Wicklungen ersetzen
Der Gehäuseschalter schaltet den Kompressor nicht aus	Kondensator defekt	Kondensator wechseln
	Festsitzen des Kolbens oder eines anderen rotierenden Teils	Beschädigte Komponenten auswechseln
	Der Druckschalter funktioniert nicht	Funktion des Druckschalters überprüfen
	Im Schaltschrank befindet sich ein Kompressor, der zuvor separat gearbeitet hat (auf der Klemmleiste des Kompressors befindet sich ein Jumper).	Entfernen Sie den Jumper von der Klemmleiste, siehe Kap. 17.11
	Kompressor schaltet häufig ein	Luftaustritt im Pneumatiksystem
Undichtes Rückschlagventil		Rückschlagventil reinigen, Dichtungen austauschen, Rückschlagventil austauschen
Hohe Mengen kondensierter Flüssigkeit im Druckluftbehälter		Kondensierte Flüssigkeit ablassen
Niedrige Kompressorkapazität		Befüllungszeit des Druckluftbehälters überprüfen
Niedriger Druck im Druckluftbehälter (Kompressor läuft durchgängig)	Hoher Druckluftverbrauch des versorgten Systems	Druckluftverbrauch senken Kompressor mit höherer Kapazität verwenden
	Luftaustritt im Pneumatiksystem	Pneumatiksystem überprüfen – lose Verbindungen festziehen

	Niedrige Pumpenkapazität	Pumpe reinigen oder austauschen
	Pumpenstörung	Pumpe reinigen oder austauschen
	Trocknerstörung	Trockner austauschen
Betrieb des Kompressors über einen längeren Zeitraum	Luftaustritt im Pneumatiksystem	Pneumatiksystem überprüfen – lose Verbindungen festziehen
	Kolbenring verschlissen	Verschlissenen Kolbenring ersetzen
	Ansaugfilter verschmutzt	Verschmutzten Filter durch neuen Filter ersetzen
	Falsche Funktion des Magnetventils	Lüfter oder Spule reparieren oder austauschen
Kompressor ist laut (Klopfen, Metallgeräusche)	Schäden an Kolbenlager, Kolbenstange, Motorlager	Beschädigtes Lager ersetzen
	Loses (beschädigtes) Dämpferelement (Feder)	Beschädigte Feder auswechseln
Trockner trocknet nicht (Kondenswasser in der Luft)*	Kühlerlüfter defekt	Lüfter austauschen Stromquelle kontrollieren
	Beschädigter Trockner	Trockner austauschen
	Automatischer Kondensatablauf defekt	Reinigen/Austauschen

)* Innenflächen des Luftbehälters gründlich reinigen und die kondensierte Flüssigkeit nach einer Trocknerstörung komplett entfernen.



Um die angeschlossenen Geräte vor Schäden zu bewahren, ist es erforderlich, die Feuchtigkeit der ausgetretenen Luft aus dem Druckluftbehälter zu prüfen (siehe Kapitel Technische Daten).

20. INFORMATIONEN ZU REPARATURBETRIEBEN

Reparaturen während des Garantiezeitraums oder danach werden durch den Hersteller ausgeführt bzw. durch Unternehmen und Techniker, die vom Hersteller eine Genehmigung erhalten haben.

Warnung.

Der Hersteller behält sich das Recht vor, Änderungen am Gerät vorzunehmen, die die Geräteeigenschaften nicht maßgeblich beeinflussen.

OBSAH

VŠEOBECNÉ INFORMÁCIE	106
1. ZHODA S POŽIADAVKAMI SMERNÍC EURÓPSKEJ ÚNIE.....	106
2. POUŽITÉ SYMBOLY	106
3. POUŽITIE ZARIADENIA	107
4. ZÁKLADNÉ BEZPEČNOSTNÉ POKYNY.....	108
5. SKLADOVACIE A PREPRAVNÉ PODMIENKY.....	109
POPIS VÝROBKU	110
6. VARIANTY	110
7. DOPLNKOVÉ VYBAVENIE.....	110
8. FUNKCIA VÝROBKU	112
TECHNICKÉ ÚDAJE	118
INŠTALÁCIA	124
9. INŠTALAČNÉ PODMIENKY	124
10. ZOSTAVENIE KOMPRESORA.....	124
11. PNEUMATICKÉ PRIPOJENIE	127
12. ELEKTRICKÉ ZAPOJENIE	130
13. PRVÉ UVEDENIE DO PREVÁDZKY	131
14. PNEUMATICKÉ A ELEKTRICKÉ SCHÉMY	132
OBSLUHA	141
15. ZAPNUTIE KOMPRESORA.....	142
16. VYPNUTIE KOMPRESORA.....	142
ÚDRŽBA VÝROBKU	143
17. ÚDRŽBA VÝROBKU	143
18. ODSTAVENIE	151
19. LIKVIDÁCIA PRÍSTROJA.....	151
VYHĽADÁVANIE PORÚCH A ICH ODSTRÁNENIE	152
20. INFORMÁCIE O OPRAVÁRENSKEJ SLUŽBE	153
PRÍLOHA.....	154
21. ZÁZNAM O INŠTALÁCII	156

VŠEOBECNÉ INFORMÁCIE

Návod na použitie si pred použitím výrobku starostlivo prečítajte a uschovajte. Návod na použitie slúži na správne používanie - inštaláciu, obsluhu a údržbu výrobku.

Návod na použitie zodpovedá pri tlači vyhotoveniu výrobku a stavu podľa príslušných bezpečnostno-technických noriem. Výrobca si vyhradzuje všetky práva na ochranu pre uvedené zapojenia, postupy a názvy.

Slovenská verzia predstavuje originál návodu na použitie. Preklad návodu na použitie je vykonaný v súlade s najlepšimi znalosťami. V prípade nejasností platí slovenská verzia textu.

Návod na použitie je pôvodný, preklad je vykonaný v súlade s najlepšimi znalosťami.

1. ZHODA S POŽIADAVKAMI SMERNÍC EURÓPSKEJ ÚNIE

Tento výrobok je v zhode s požiadavkami smerníc Európskej únie 2006/42/EC, 2014/29/EU, 2014/35/EU, 2014/30/EU, 2011/65/EU a je bezpečný pri použití v súlade so zamýšľaným použitím a dodržaní všetkých bezpečnostných pokynov.

Návod na použitie je vypracovaný v súlade s požiadavkami smernice 2006/42/EC.

2. POUŽITÉ SYMBOLY

V návode na použitie, na výrobku a balení sa používajú nasledujúce značky a symboly:



Všeobecná výstraha



Výstraha - nebezpečenstvo zásahu elektrickým prúdom



Výstraha - kompresor je ovládaný automaticky



Výstraha - horúci povrch



Všeobecné upozornenie



Dodržiavaj návod na použitie



CE – označenie



Sériové číslo



Artiklové číslo



Pripojenie ochranného vodiča



Poistka



Manipulačná značka na obale – krehké



Manipulačná značka na obale – týmto smerom nahor



Manipulačná značka na obale – chrániť pred dažďom



Manipulačná značka na obale – teplotné medze



Manipulačná značka na obale – obmedzené stohovanie



Značka na obale – recyklovateľný materiál



Výrobca

3. POUŽITIE ZARIADENIA

3.1. Zamýšľané použitie

Kompresor slúži ako zdroj čistého bezolejového stlačeného vzduchu pre použitie v priemysle a laboratóriách, kde stlačený vzduch vyhovuje svojimi parametrami a vlastnosťami.

Kompresor je určený výhradne na stláčanie vzduchu bez obsahu výbušných alebo chemicky nestabilných látok.

Kompresor je určený na prevádzku v čistých a suchých priestoroch.

3.2. Nesprávne použitie



Nebezpečenstvo kontaminácie.

Vzduch z kompresora nie je bez ďalšej úpravy vhodný na dýchanie a priamy kontakt s potravinami.



Nebezpečenstvo výbuchu.

Výrobok nie je určený na prevádzku v priestoroch, v ktorých hrozí nebezpečenstvo výbuchu.

Kompresor nesmie byť použitý na stláčanie agresívnych plynov.

Kompresor nesmie byť prevádzkovaný v priestoroch s výskytom horľavých pár.

Kompresor nesmie byť prevádzkovaný v iných podmienkach, ako je uvedené v Technických údajoch.

Akékoľvek použitie výrobku nad rámec zamýšľaného použitia sa považuje za nesprávne použitie. Výrobca nenesie zodpovednosť za akékoľvek škody alebo zranenia v dôsledku nesprávneho použitia alebo nerešpektovania pokynov uvedených v tomto návode na použitie. Riziko znáša výlučne prevádzkovateľ / používateľ.

4. ZÁKLADNÉ BEZPEČNOSTNÉ POKYNY

Výrobok je navrhnutý a vyrobený tak, aby boli minimalizované akékoľvek riziká spojené s jeho použitím a výrobok bol bezpečný pre používateľa aj pre okolie pri používaní podľa zamýšľaného použitia a dodržaní nasledujúcich pokynov.

4.1. Požadovaná kvalifikácia personálu

- Každý používateľ musí byť zaškolený výrobcou alebo organizáciou poverenou výrobcom, prípadne oboznámený s obsluhou zariadenia iným zaškoleným používateľom.
- Inštaláciu, nové nastavenia, zmeny, rozšírenia a opravy výrobku smie vykonávať len výrobca alebo organizácia poverená výrobcom (ďalej kvalifikovaný odborník).
- V opačnom prípade výrobca nenesie zodpovednosť za bezpečnosť, spoľahlivosť a správnu funkciu výrobku.

4.2. Všeobecné pokyny

- Pri prevádzke výrobku je potrebné rešpektovať zákony a regionálne predpisy platné v mieste používania. Za dodržiavanie predpisov je zodpovedný prevádzkovateľ a používateľ.
- Pred každým použitím výrobku je potrebné, aby sa používateľ presvedčil o jeho riadnej funkcii a bezpečnom stave. Pred zabudovaním kompresora do iných zariadení musí dodávateľ posúdiť, či dodávaný vzduch a konštrukcia zariadenia vyhovuje požiadavkám daného účelu použitia. Rešpektujte s týmto zreteľom technické údaje výrobku. Hodnotenie zhody má pri zabudovaní vykonávať výrobca - dodávateľ konečného výrobku.

4.3. Ochrana pred nebezpečným napätím a tlakom

- Zariadenie môže byť pripojené iba na správne namontovanú zásuvku s ochranným pripojením.
- Pred pripojením výrobku sa musí skontrolovať, či sú sieťové napätie a sieťový kmitočet uvedené na výrobku v súlade s hodnotami napájacej siete.
- Pred uvedením výrobku do prevádzky treba skontrolovať prípadné poškodenia pripájaných pneumatických a elektrických rozvodov. Poškodené pneumatické a elektrické vedenia sa musia ihneď vymeniť.
- Pri nebezpečných situáciách alebo technických poruchách je potrebné výrobok ihneď odpojiť zo siete (vytiahnuť sieťovú vidlicu).
- Poistný ventil sa nesmie prestavovať a používať na odtlakovanie vzdušníka.

4.4. Originálne náhradné diely a príslušenstvo

- Bezpečnosť obsluhujúceho personálu a bezporuchová prevádzka výrobku sú zaručené len pri používaní originálnych častí výrobku. Používať sa smie len príslušenstvo a náhradné diely uvedené v technickej dokumentácii alebo vyslovene povolené výrobcom.
- Na škody, ktoré vznikli používaním iného príslušenstva a náhradných dielov ako predpisuje alebo odporúča výrobca, sa záruka nevzťahuje a výrobca za ne nenesie zodpovednosť.

5. SKLADOVACIE A PREPRAVNÉ PODMIENKY

Kompresor sa od výrobcu zasiela v prepravnom obale. Tým je výrobok zabezpečený pred poškodením pri preprave.



Nebezpečenstvo poškodenia pneumatických častí.

Kompresor sa smie prepravovať len bez tlaku. Pred prepravou nevyhnutne vypustiť tlak vzduchu z tlakovej nádrže a tlakových hadíc a vypustiť kondenzát zo vzdušníka.



Originálny obal uschovať pre prípadné vrátenie zariadenia. Pri preprave používať podľa možnosti vždy originálny obal kompresora pre optimálnu ochranu výrobku. Ak bude počas záručnej lehoty potrebné výrobok vrátiť, výrobca neručí za škody spôsobené nesprávnym zabalením výrobku.



Kompresor prepravovať nastojato, vždy zaistený prepravným fixovaním.



Počas prepravy a skladovania chrániť kompresor pred vysokou vlhkosťou, nečistotou a extrémnymi teplotami. Neskladovať v priestoroch spolu s prchavými chemickými látkami.



Ak nie je uschovanie originálneho obalu možné, zlikvidujte ho šetrne k životnému prostrediu. Prepravný kartón sa môže vyhodiť so starým papierom.



Zariadenie je zakázané skladovať a prepravovať mimo definovaných podmienok, pozri nižšie.

5.1. Podmienky okolia

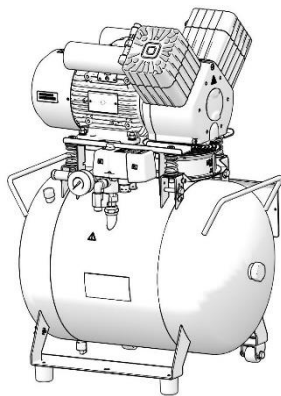
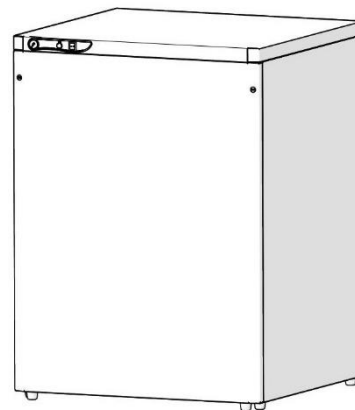
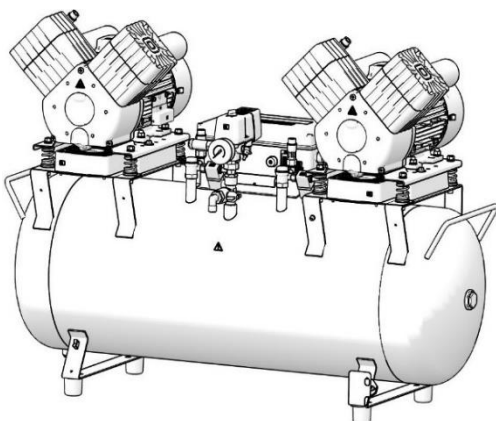
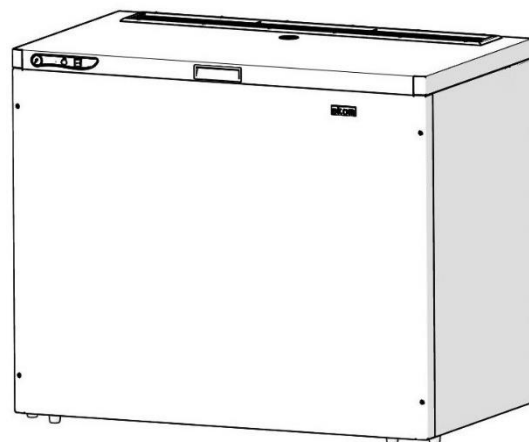
Výrobky je možné skladovať v priestoroch a dopravných prostriedkoch bez stôp prchavých chemických látok pri nasledujúcich klimatických podmienkach:

Teplota	–25°C až +55°C, do 24h až +70°C
Relatívna vlhkosť	max. 90% (bez kondenzácie)

POPIS VÝROBKU**6. VARIANTY**

Kompresor sa vyrába podľa účelu v týchto variantoch:

DK50 2V/50	Kompresor pre umiestnenie v priestoroch, kde svojou činnosťou nerušia okolie
DK50 2V/50/M	Kompresor s membránovým sušičom vzduchu
DK50 2V/50S	Kompresor v skrinke s účinným tlmením hluku
DK50 2V/50S/M	Kompresor s membránovým sušičom vzduchu v skrinke
Skrinka S50	Služi na zníženie hladiny zvuku kompresora
DK50 2x2V/110	kompresor pre umiestnenie v priestoroch, kde svojou činnosťou nerušia okolie
DK50 2x2V/110/M	kompresor s membránovým sušičom vzduchu
DK50 2x2V/110 S	kompresor v skrinke s účinným tlmením hluku
DK50 2x2V/110 S/M	kompresor v skrinke s membránovým sušičom vzduchu
Skrinka S 110	Služi na zníženie hladiny zvuku kompresora

**DK50 2V/50****S50**
DK50 2V/50S**DK50 2x2V/110****S110**
DK50 2x2V/110S

7. DOPLNKOVÉ VYBAVENIE

Doplňkové vybavenie nie je predmetom základnej dodávky, je potrebné objednať ho osobitne.

Automatický odvod kondenzátu

Automatický odvod kondenzátu (AOK) zabezpečuje automatické vypúšťanie skondenzovanej kvapaliny v nastavenom časovom intervale zo vzdušníka kompresora. AOK je vhodné doplniť ku kompresoru bez sušiča.

Typ	Použitie	Artiklové číslo
AOK 13	DK50 2V/50	447000001-154
AOK 12	DK50 2x2V/110	447000001-123

Sada filtrov výstupného stlačeného vzduchu

Kompresor môže byť vybavený sadou filtrov podľa požiadavky. Filtračná sada môže byť doplnená o regulátor tlaku vzduchu.



V prípade požiadavky na iný stupeň filtrácie vzduchu je treba túto požiadavku dohodnúť s dodávateľom a špecifikovať v objednávke.

Typ	Použitie	Stupeň filtrácie / μ m/	Artiklové číslo
FS 30F		1	604014119-014
FS 30M	DK50 2V/50, DK50 2V/50/M	1+0,1	604014119-015
FS 30S	DK50 2x2V/110, DK50 2x2V/110/M	1+0,01	604014119-017
FS 30A		1+0,01+A**	604014119-018

**) A – submikrofilter s aktívnym uhlím

*) - sadu **FS 30A**, v štandardnom vyhotovení, nie je možné pri výrobkoch DK50 2V/50, DK50 2V/50/M skombinovať s regulátorom tlaku, v prípade záujmu o takúto sadu (s regulátorom) kontaktovať dodávateľa

Sada regulátora k filtračným sadám

Kompresor môže byť vybavený sadou regulátora tlaku výstupného stlačeného vzduchu podľa požiadavky. Regulátor je potrebné si vybrať podľa použitia k filtračnej sade, alebo samostatne. Regulátor zabezpečí konštantný tlak na výstupe z kompresora.

Typ	Použitie	Artiklové číslo
Regulátor komplet (k filtračnej sade)	DK50 2V/50, DK50 2V/50/M DK50 2x2V/110, DK50 2x2V/110/M	604014130-000
REG12 (samostatný)	DK50 2V/50, DK50 2V/50/M	447000001-088
REG13 (samostatný)	DK50 2x2V/110, DK50 2x2V/110/M	447000001-096

Držiak k filtračným sadám



Ku každej sade je potrebné doobjednať vhodný držiak.

Typ	Použitie	Artiklové číslo
Držiak na kompresor	DK50 2V/50, DK50 2V/50/M	603014177-000
Držiak na kompresor	DK50 2x2V/110, DK50 2x2V/110/M	604014169-000

Kondenzačná a filtračná jednotka

Kompresor môže byť dodatočne vybavený aj kondenzačnou a filtračnou jednotkou (KJF).

KJF zabezpečí, že stlačený vzduch zo vzdušníka je ochladený v chladiči a vo filtri zachytí skondenzovanú kvapalinu, ktorú automaticky odlúči mimo pneumatického rozvodu. Stlačený vzduch je súčasne filtrovaný.

Typ	Použitie	Stupeň filtrácie / μ m/	Regulátor tlaku	Artiklové číslo
KJF-2	DK50 2x2V/110	5	nie	450001021-001

Modul 3KOM pre riadenie viacerých kompresorov vo funkcionalite Master-Slave

Pre 2, alebo 3 rovnaké kompresory s rovnakým tlakovým rozsahom je možné objednať riadiaci modul 3KOM, ktorý riadi prevádzku týchto kompresorov vo funkcionalite Master-Slave. Pri použití tohto modulu preberá funkciu spínania agregátov riadiaca jednotka, ktorá je súčasťou modulu. Riadiaci modul je možné objednať v konfigurácií podľa nasledujúcej tabuľky.

Typ kompresora	Schéma riadenia	Artiklové číslo	Výstup vzduchu sústavy
DK50 2V/50/ (M)	1+1	603002152-000	G 3/4"
DK50 2x2V/110/ (M)	1+1+1		

Zásuvka pre ekvipotenciálne pospojovanie

Zásuvka umožňuje ochranné pospojovanie. (Obr. 11)

Typ	Použitie	Názov	Artiklové číslo
POAG-KBT6-EC	DK50 2V/50S, DK50 2V/50S/M	Zásuvka	033400075-000
FLEXI-S/POAG-HK6	DK50 2x2V/110, DK50 2x2V/110/M	Vodič (1 m)	034110083-000

8. FUNKCIA VÝROBKU

8.1. Kompresor

Obr. 1 Agregát kompresora (1) nasáva atmosférický vzduch cez vstupný filter (8) a stláča ho cez spätný ventil (3) do vzdušníka (2) a spotrebič odoberá stlačený vzduch zo vzdušníka. Ak klesne tlak vo vzdušníku na zapínací tlak, tlakový spínač (4) zapne kompresor a kompresor stláča vzduch do vzdušníka až po vypínací tlak, kedy sa vypne kompresor. Po vypnutí kompresorového agregátu sa odvzdušní tlaková hadica cez odľahčovací solenoidný ventil (13). Poistný ventil (5) zamedzuje prekročeniu tlaku vo vzdušníku nad maximálnu povolenú hodnotu. Vypúšťacím ventilom (7) sa vypúšťa kondenzát zo vzdušníka. Stlačený a čistý vzduch bez stôp oleja je vo vzdušníku pripravený na ďalšie použitie.

Zo vzdušníka je potrebné v predpísaných intervaloch vypúšťať skondenzovanú kvapalinu (pozri kap. 17.1).

8.2. Kompresor s membránovým sušičom

Obr. 2 Agregát kompresora (1) nasáva atmosférický vzduch cez vstupný filter (8) a stlačený ho dodáva chladičom (14) cez filter (15), spätný ventil (3) do sušiča (9), vysušený a čistý do vzdušníka (2). Časť vzduchu odchádza mimo sušiča spolu so zachytenou vlhkosťou, čo sa prejaví ako jemné prúdenie vzduchu popri telese sušiča (9). Kondenzát z filtra je automaticky v intervaloch vypúšťaný do fľaše pomocou solenoidového ventilu odvodu kondenzátu (16). Sušič zabezpečí kontinuálne sušenie stlačeného vzduchu. Vypúšťacím ventilom (7), sa vypúšťa kondenzát zo vzdušníka v prípade kontroly sušenia. Stlačený, suchý a čistý vzduch bez stôp oleja je vo vzdušníku pripravený na ďalšie použitie.

Pre optimálnu prevádzku membránového sušiča je sušič spojený so vzdušníkom priamo, bez

spätného ventilu. Keďže membránový sušič obsahuje vlákna so selektívnou membránou, dochádza cez ne k malému úniku vzduchu (približne 0,5 bar/30min)

Preto postupný pomalý pokles tlaku je prítomný aj v stave bez odberu vzduchu z kompresora (zo vzdušníka) a nepredstavuje poruchu.

Tlakovú nádobu nie je potrebné odkalovať.

8.3. Skrinka kompresora

Obr. 3 Skrinka zabezpečuje kompaktné prekrytie kompresora, účinne tlmí hluk, pričom zabezpečuje dostatočnú výmenu chladiaceho vzduchu. Ventilátor pod agregátom kompresora zabezpečuje chladenie kompresora. V činnosti je súčasne s motorom kompresora alebo po zapnutí teplotného spínača pri teplote vyššej ako 40°C. Po vychladení priestoru v skrinke približne pod 32°C sa ventilátor automaticky vypne.



Nebezpečenstvo prehriatia kompresora.

Je zakázané vytvárať prekážky na vstupe chladiaceho vzduchu do skrinky (po obvode spodnej časti skrinky) a na výstupe teplého vzduchu v hornej zadnej časti skrinky.

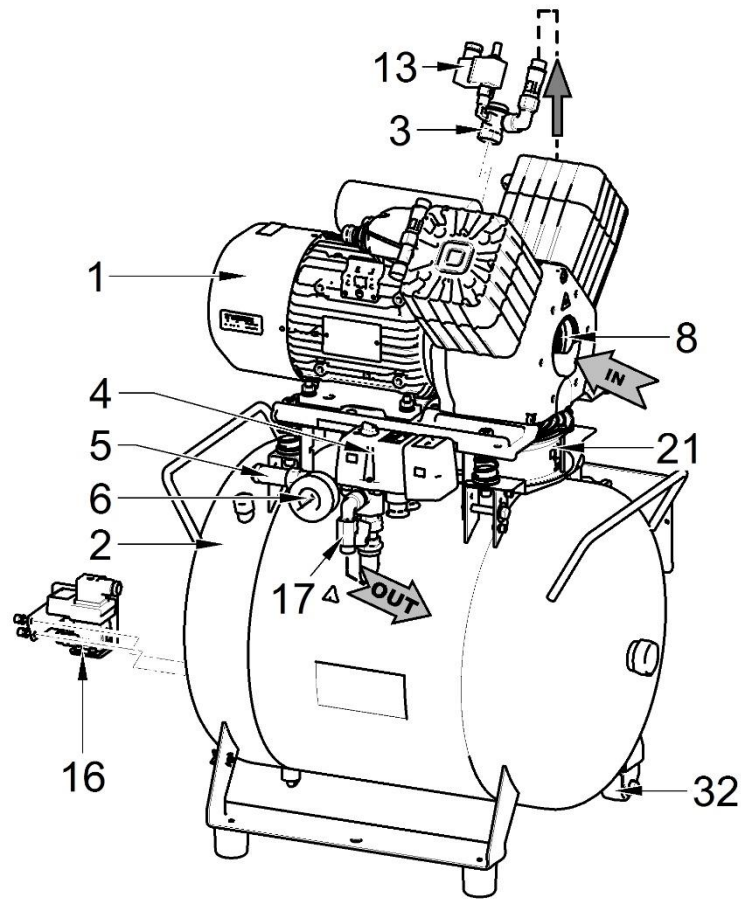
V prípade umiestnenia kompresora na mäkkú podlahu, napr. koberec, je nutné vytvoriť medzeru medzi základňou a podlahou alebo skrinkou a podlahou, napr. podloženie pätiiek tvrdými podložkami z dôvodu zabezpečenia dostatočného chladenia kompresora.

Na kompresore v prevedení 8 - 10 bar je osadené počítadlo hodín (Obr. 3).

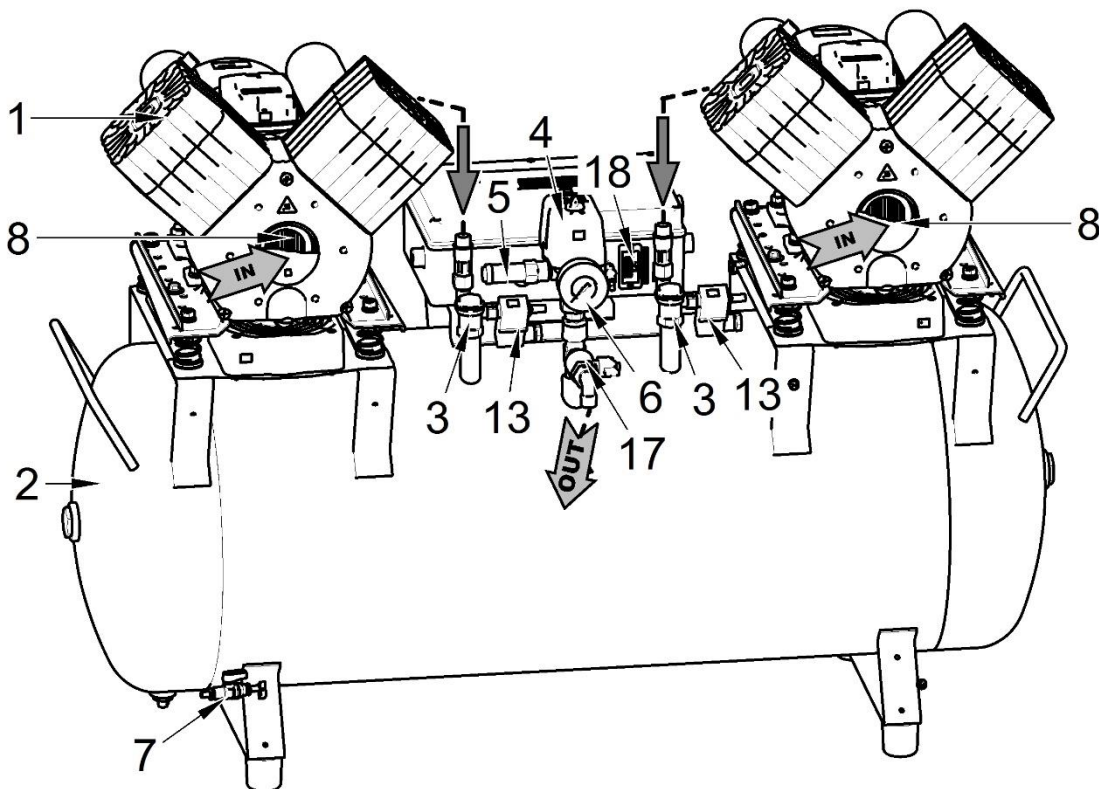
Popis k obrázkom 1 - 3

- | | |
|---|--------------------------------|
| 1. Agregát kompresora | 18. Zásuvka |
| 2. Vzdušník | 19. Nádobu na zber kondenzátu |
| 3. Spätný ventil | 20. Magnetický držiak |
| 4. Tlakový spínač | 21. Ventilátor |
| 5. Poistný ventil | 22. Ventilátor skrinky |
| 6. Tlakomer | 23. Skrutka M5 |
| 7. Vypúšťací ventil | 24. Plynové perá skrinky |
| 8. Vstupný filter | 25. Plášť skrinky |
| 9. Sušič | 26. Doraz stenový |
| 10. - | 27. Vypínač |
| 11. - | 28. Manometer |
| 12. - | 29. Šnúra elektrického prívodu |
| 13. Solenoidný ventil | 30. Hadička manometra |
| 14. Chladič sušiča | 31. Madlo S110 |
| 15. Filter | 32. Koliesko kompresora |
| 16. Solenoidný ventil odvodu kondenzátu | 33. Spojovacia výstuha |
| 17. Guľový ventil | 34. Konektor skrinky |
| | 35. Odt'ah |

Obr. 1: Kompresor

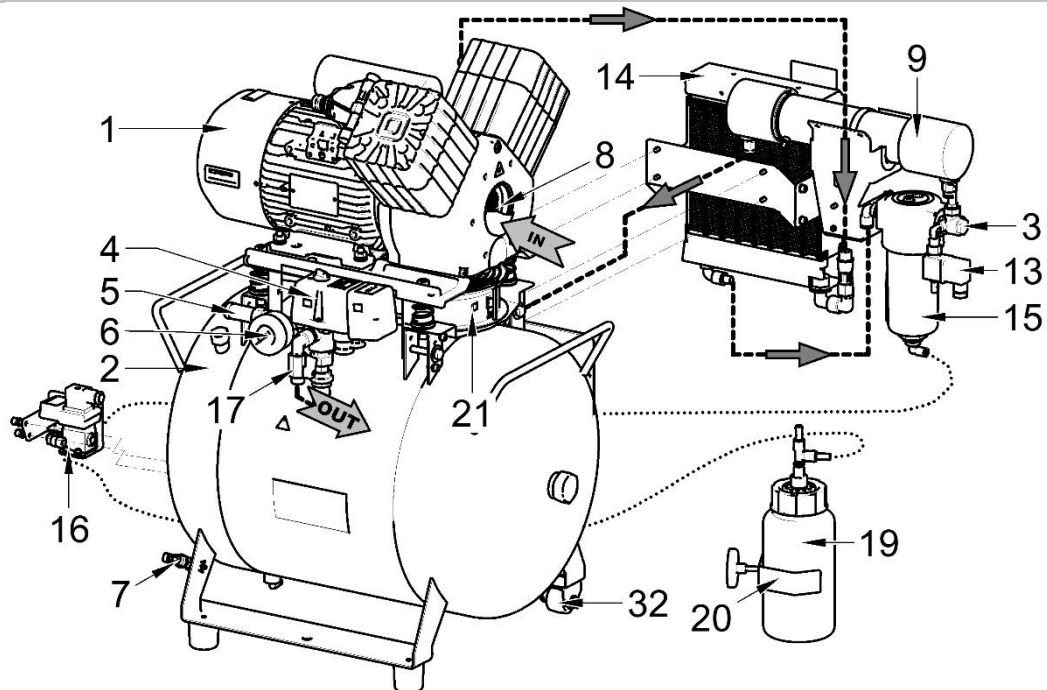


DK50 2V/50

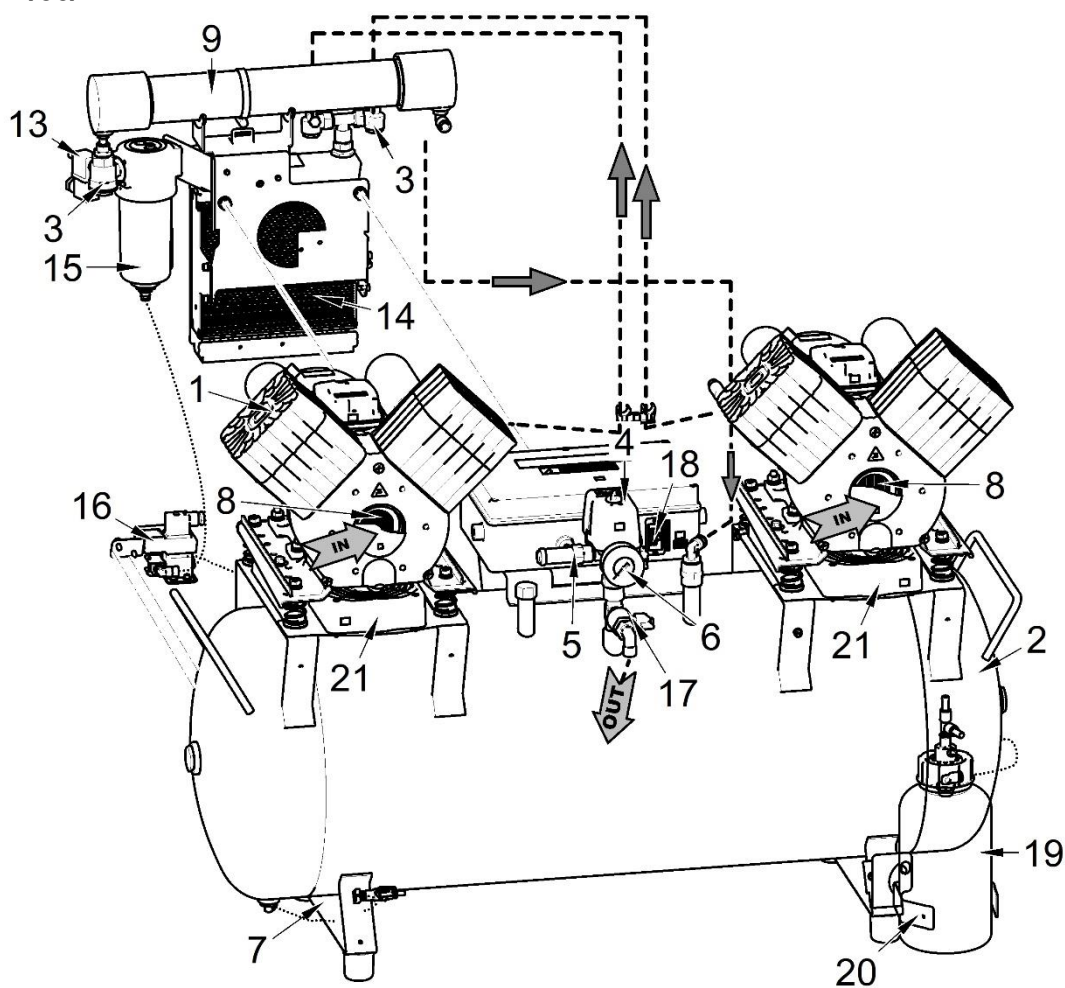


DK50 2x2V/110

Obr. 2: Kompresor so sušičom MD

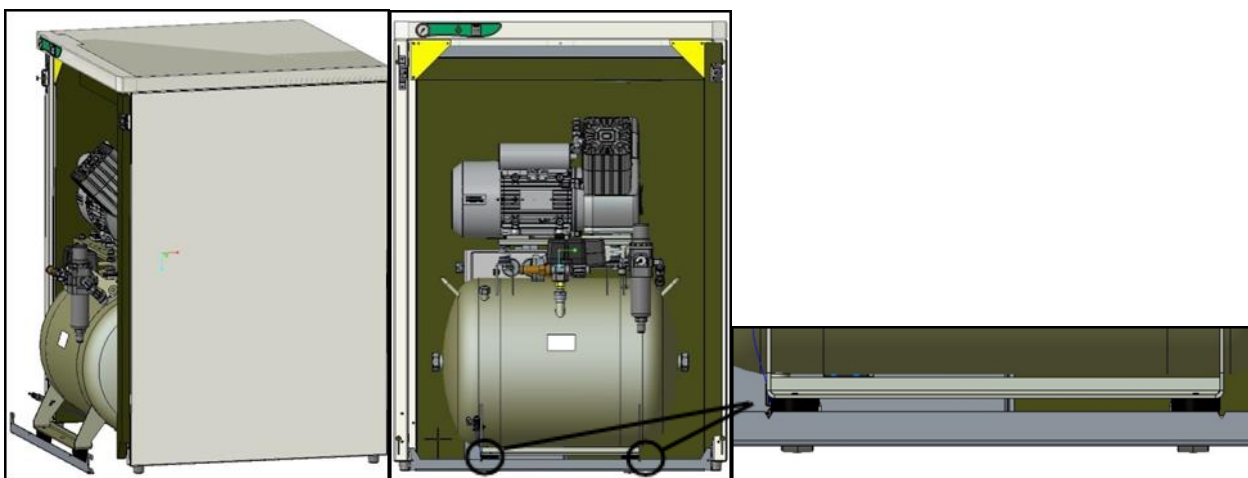
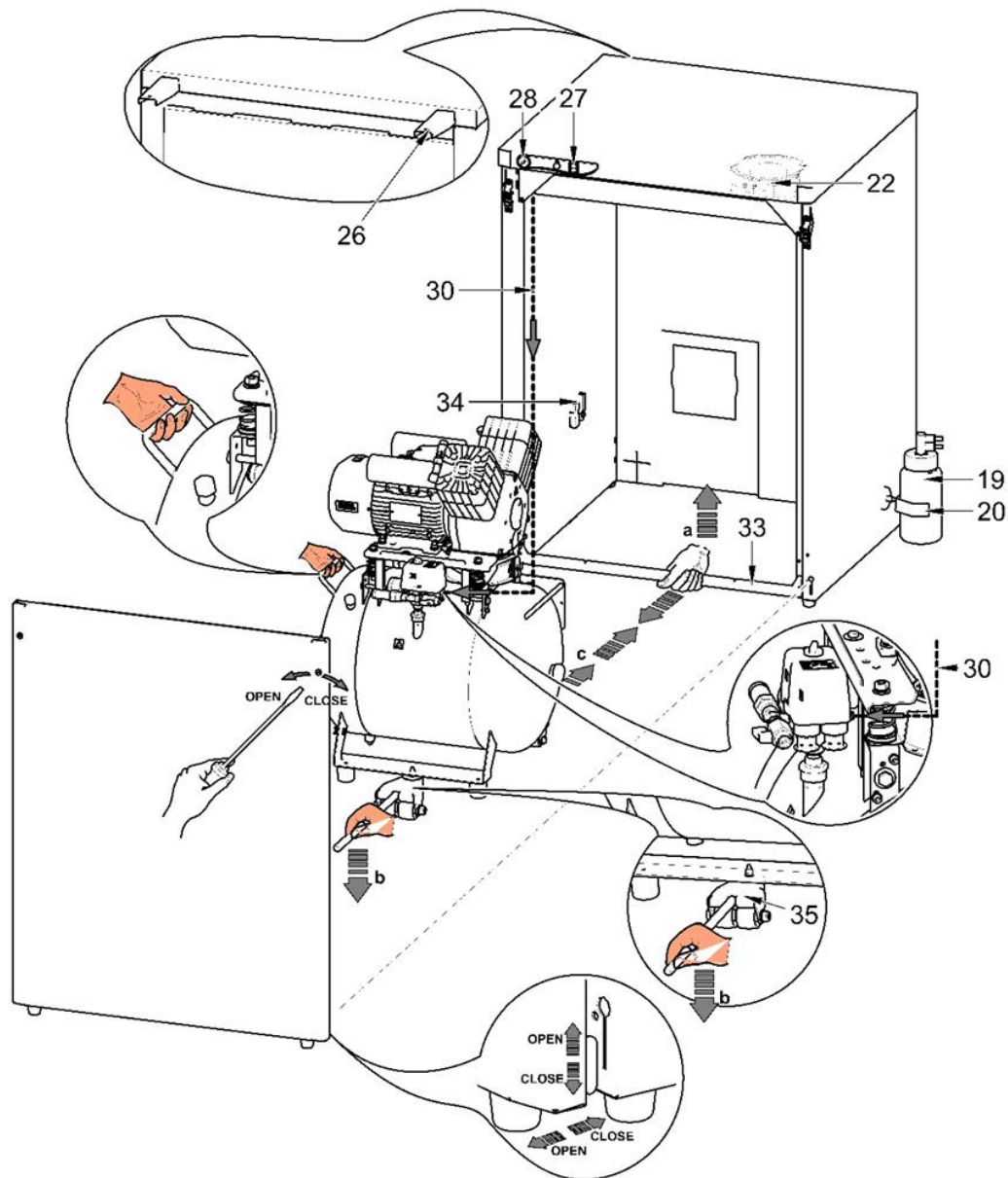


DK50 2V/50/M

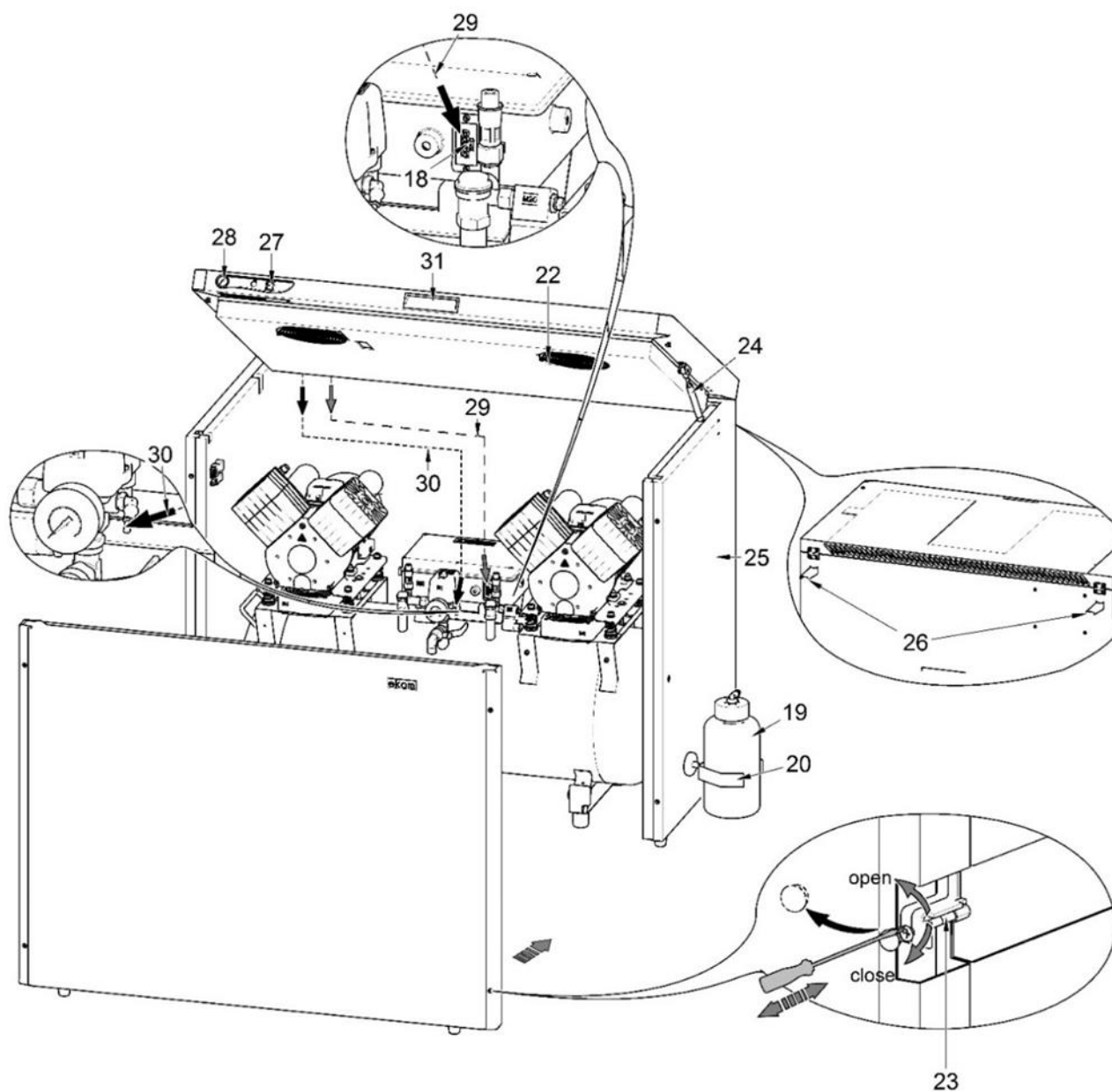


DK50 2x2V/110/M

Obr. 3: Skrinka



3A – DK50 2V/50S



3B – DK50 2x2V/110S

TECHNICKÉ ÚDAJE

Kompresory sú konštruované pre prevádzku v suchých, vetraných a bezprašných vnútorných priestoroch pri nasledujúcich klimatických podmienkach:

Teplota

+5°C až +40°C

Relatívna vlhkosť

max. 70%

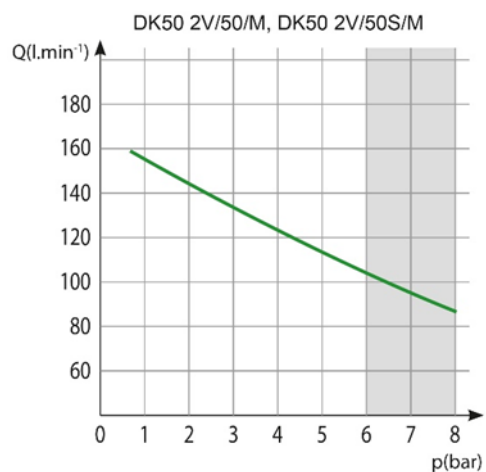
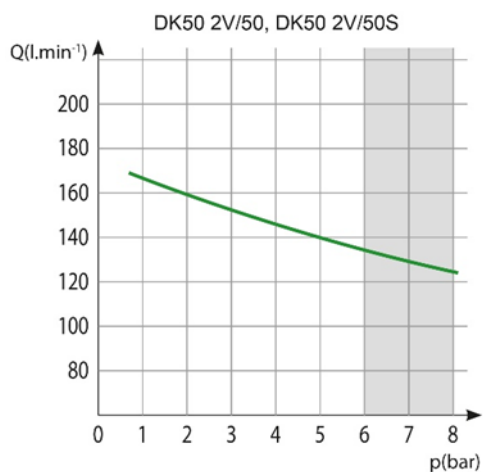
Pracovný tlak 6 – 8 bar		DK50 2V/50		DK50 2V/50S		DK50 2V/50/M		DK50 2V/50S/M	
Menovité napätie Frekvencia ^{a)}	V, Hz	230,50 3x400, 230,60 50		230,50 3x400, 230,60 50		230,50 3x400, 230,60 50		230,50	230,60
Výkonnosť pri pretlaku 6 bar (FAD)	l/min	135		135		104		104	
Pracovný tlak ^{b)}	bar	6,0 – 8,0		6,0 – 8,0		6,0 – 8,0		6,0 – 8,0	
Menovitý prúd	A	8,6 3,8	9,2	8,8 4,0	9,4	8,7 3,8	9,3	8,9	9,7
Výkon motora	kW	1,2		1,2		1,2		1,2	
Objem vzdušníka	l	50		50		50		50	
Kvalita vzduchu – filtrácia	µm	-		-		0,1		0,1	
Povolený prevádzkový tlak poistného ventilu	bar	9,0		9,0		9,0		9,0	
Hladina hluku pri pretlaku 5 bar (L _{pA})	dB	≤67,0		≤51,5		≤69,0		≤55,0	
Režim prevádzky	%	S1-100		S1-100		S1-100		S1-100	
Stupeň sušenia - PDP pri 7 bar	°C	-		-		≤ +3		≤ +3	
Čas naplnenia vzdušníka z 0 do 7 bar	s	149		149		218		218	
Rozmery (netto) š x h x v	mm	577x587x804		750x715x1015		577x628x804		750x715x1015	
Hmotnosť netto	kg	58 54		108 105		61		114	

^{a)}Prevedenie kompresora uviesť pri objednávaní

^{b)}Iný rozsah tlaku konzultovať s dodávateľom

^{c)}Hodnota hmotnosti je informatívny údaj, platí len pre výrobok bez doplnkového vybavenia

Závislosť výkonnosti kompresora od pracovného tlaku



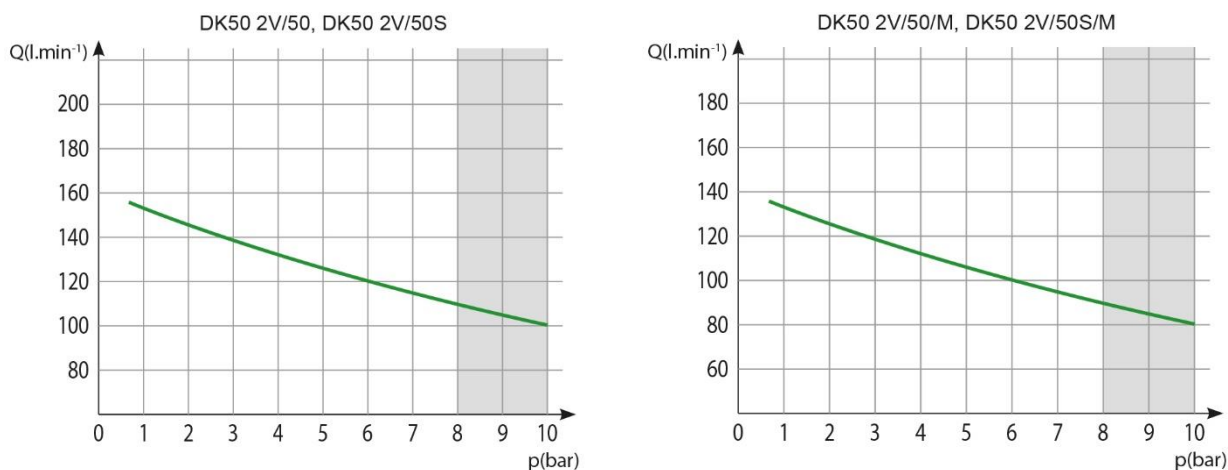
Pracovný tlak 8 – 10 bar		DK50 2V/50	DK50 2V/50S	DK50 2V/50/M	DK50 2V/50S/M
Menovité napätie Frekvencia ^{a)}	V, Hz	230, 50	230, 50	230, 50 3x400, 50	230, 50
Výkonnosť pri pretlaku 8 bar (FAD)	l/min	110	110	90	90
Pracovný tlak ^{b)}	bar	8,0 – 10,0	8,0 – 10,0	8,0 - 10,0	8,0 – 10,0
Menovitý prúd	A	8,4	8,6	8,5 4,6	8,7
Výkon motora	kW	1,2	1,2	1,2	1,2
Objem vzdušníka	l	50	50	50	50
Kvalita vzduchu – filtrácia	µm	-	-	0,1	0,1
Povolený prevádzkový tlak poistného ventilu	bar	12,0	12,0	12,0	12,0
Hladina hluku pri pretlaku 5 bar (L _{pA})	dB	≤67,0	≤51,5	≤69,0	≤57,0
Režim prevádzky	%	S1-100	S1-100	S1-100	S1-100
Stupeň sušenia - PDP pri 7 bar	°C	-	-	≤ +3	≤ +3
Čas naplnenia vzdušníka z 0 do 7 bar	s	226	226	250	250
Rozmery (netto) š x h x v	mm	577x587x804	750x715x1015	577x628x804	750x715x1015
Hmotnosť netto	kg	58	108	61	114

^{a)}Prevedenie kompresora uviesť pri objednávaní

^{b)}Iný rozsah tlaku konzultovať s dodávateľom

^{c)}Hodnota hmotnosti je informatívny údaj, platí len pre výrobok bez doplnkového vybavenia

Závislosť výkonnosti kompresora od pracovného tlaku



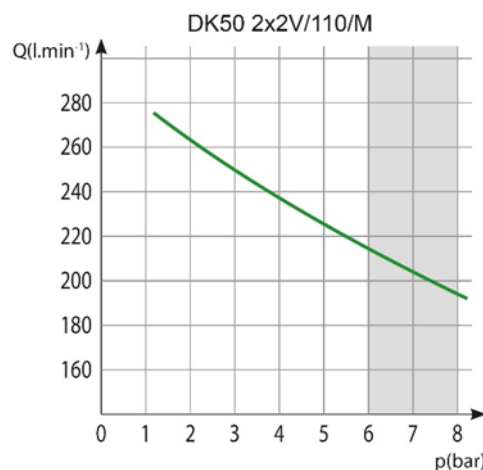
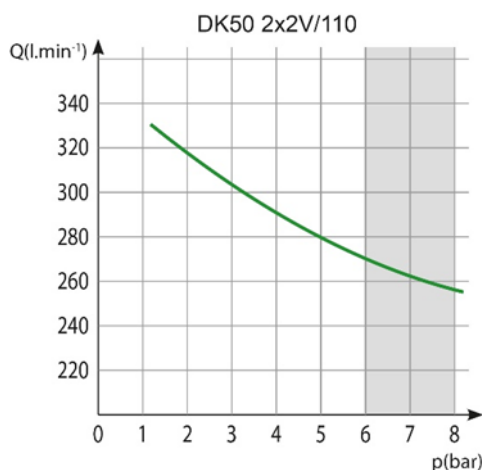
Pracovný tlak 6 – 8 bar		DK50 2x2V/110		DK50 2x2V/110S		DK50 2x2V/110/M		DK50 2x2 V/110 S/M	
Menovité napätie Frekvencia ^{a)}	V, Hz	230,50 3x400, 230,60 50		230,50 3x400, 230,60 50		230,50 3x400, 230,60 50		230,50 3x400, 230,60 50	
Výkonnosť pri pretlaku 6 bar (FAD)	l/min	270		270		215		215	
Pracovný tlak ^{b)}	bar	6,0 – 8,0		6,0 – 8,0		6,0 – 8,0		6,0 – 8,0	
Menovitý prúd	A	15,2 8,0	18,5	15,5 8,4	18,8	15,3 8,0	18,7	15,6 8,4	19,0
Výkon motora	kW	2x1,2		2x1,2		2x1,2		2x1,2	
Objem vzdušníka	l	110		110		110		110	
Kvalita vzduchu – filtrácia	µm	-		-		0,1		0,1	
Povolený prevádzkový tlak poistného ventilu	bar	9,0		9,0		9,0		9,0	
Hladina hluku pri pretlaku 5 bar (L _{pA})	dB	≤73		≤55		≤73		≤56	
Režim prevádzky	%	S1-100		S1-100		S1-100		S1-100	
Stupeň sušenia - PDP pri 7 bar	°C	-		-		≤ +3		≤ +3	
Čas naplnenia vzdušníka z 0 do 6 bar	s	159		159		198		198	
Rozmery (netto) š x h x v	mm	1085x490x815		1200x730x990		1085x625x815		1200x730x990	
Hmotnosť netto	kg	106 104		177 175		113 111		184 182	

a) Prevedenie kompresora uviesť pri objednávaní

b) Iný rozsah tlaku konzultovať s dodávateľom

c) Hodnota hmotnosti je informatívny údaj, platí len pre výrobok bez doplnkového vybavenia

Závislosť výkonnosti kompresora od pracovného tlaku



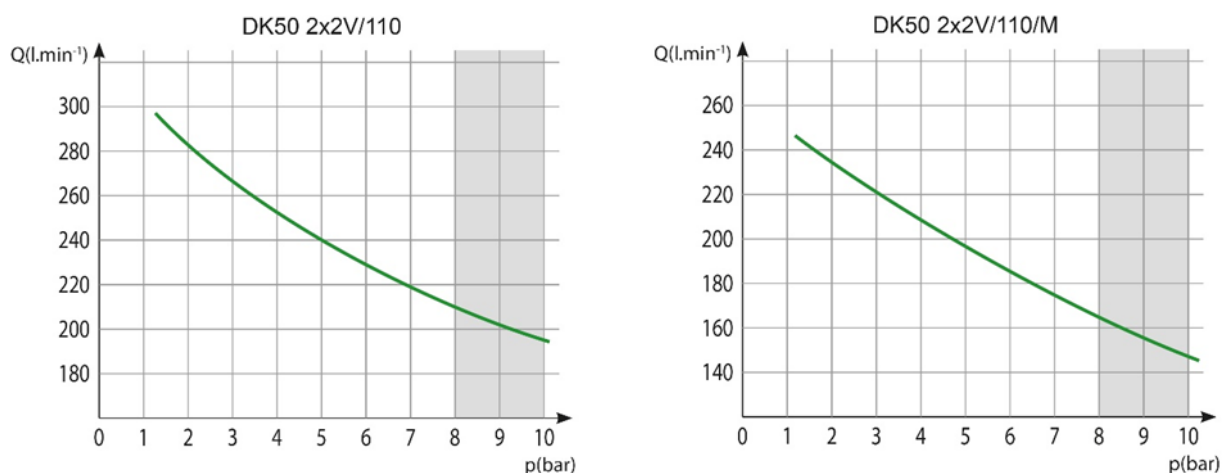
Pracovný tlak 8 – 10 bar		DK50 2x2V/110		DK50 2x2V/110S		DK50 2x2V/110/M		DK50 2x2 V/110 S/M	
Menovité napätie Frekvencia ^{a)}	V, Hz	230, 50 3x400, 50	230,60	230,50 3x400, 50	230,60	230,50 3x400, 50	230,60	230,50 3x400, 50	230,60
Výkonnosť pri pretlaku 8 bar (FAD)	l/min	210		210		165		165	
Pracovný tlak ^{b)}	bar	8,0 – 10,0		8,0 – 10,0		8,0 – 10,0		8,0 – 10,0	
Menovitý prúd	A	14,7 8,5	17,9	14,9 8,9	18,2	14,8 8,5	18,0	15,0 8,9	18,3
Výkon motora	kW	2x1,2		2x1,2		2x1,2		2x1,2	
Objem vzdušníka	l	110		110		110		110	
Kvalita vzduchu – filtrácia	µm	-		-		0,1		0,1	
Povolený prevádzkový tlak poistného ventilu	bar	12,0		12,0		12,0		12,0	
Hladina hluku pri pretlaku 5 bar (L _{pA})	dB	≤73		≤55		≤73		≤56	
Režim prevádzky	%	S1-100		S1-100		S1-100		S1-100	
Stupeň sušenia - PDP pri 7 bar	°C	-		-		≤ +3		≤ +3	
Čas naplnenia vzdušníka z 0 do 6 bar	s	256		256		363		363	
Rozmery (netto) š x h x v	mm	1085x490x815		1200x730x990		1085x625x815		1200x730x990	
Hmotnosť netto	kg	110 108		181 179		117 115		188 186	

^{a)}Prevedenie kompresora uviesť pri objednávaní

^{b)}Iný rozsah tlaku konzultovať s dodávateľom

^{c)}Hodnota hmotnosti je informatívny údaj, platí len pre výrobok bez doplnkového vybavenia

Závislosť výkonnosti kompresora od pracovného tlaku



Korekcia FAD výkonnosti podľa nadmorskej výšky

Výkonnosť udávaná vo forme FAD („Free Air Delivery“) sa vzťahuje na podmienky:

Nadmorská výška	0 m.n.m.	Teplota	20°C
Atmosférický tlak	101325 Pa	Relatívna vlhkosť	0%

Pre prepočet FAD výkonnosti kompresora v závislosti od nadmorskej výšky je potrebné aplikovať korekčný faktor podľa nasledujúcej tabuľky:

Nadm. výška [m.n.m.]	0 -1500	1501 - 2500	2501 - 3500	3501 - 4500
Korekčný faktor FAD	1	0,8	0,71	0,60

INŠTALÁCIA



Nebezpečenstvo nesprávnej inštalácie.

Kompresor musí inštalovať a po prvýkrát uviesť do prevádzky len kvalifikovaný odborník. Jeho povinnosťou je zaškoliť obsluhujúci personál o používaní a údržbe zariadenia. Inštaláciu a zaškolenie obsluhy potvrdí zápisom v zázname o inštalácii zariadenia

9. INŠTALAČNÉ PODMIENKY

- Kompresor sa smie inštalovať a prevádzkovať len v suchých, dobre vetraných a bezprašných priestoroch pri podmienkach uvedených v Technických údajoch.



Nebezpečenstvo poškodenia zariadenia.

Zariadenie nesmie byť prevádzkované vo vonkajšom prostredí, ani vo vlhkom alebo mokrom prostredí.



Nebezpečenstvo výbuchu.

Zariadenie je zakázané používať v priestoroch s prítomnosťou výbušných plynov, prachov alebo horľavých kvapalín.

- Kompresor sa musí inštalovať tak, aby bol ľahko prístupný pre obsluhu a údržbu a aby bol prístupný výrobný štítok.
- Kompresor musí stáť na rovnom, dostatočne stabilnom podklade (pozor na hmotnosť kompresora, pozri Technické údaje)



Pri prvom uvedení do prevádzky môžete dočasne (na krátky čas) cítiť charakteristický pach nového výrobku. Tento pach je len krátkodobý a nebráni riadnemu používaniu výrobku. Po inštalácii zabezpečte vetranie miestnosti.

10. ZOSTAVENIE KOMPRESORA

10.1. Manipulácia a odfixovanie

- Vybaľiť kompresor z obalu.
- Uložiť kompresor na miesto prevádzky. (Obr. 4).

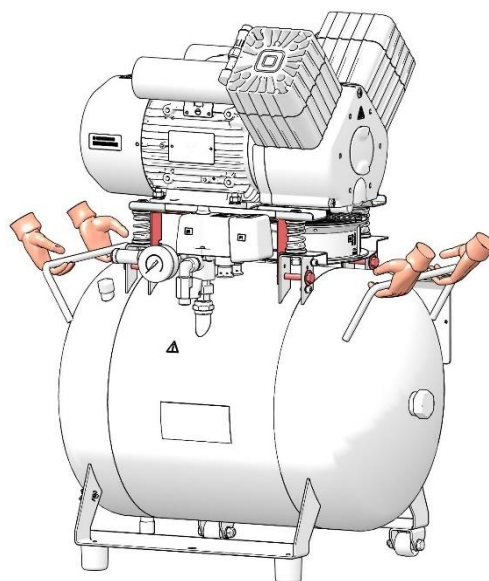
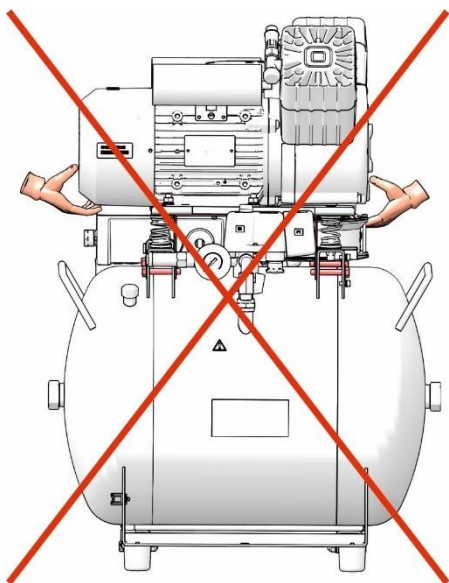


Pri manipulácii s kompresorom používať na uchopenie základňu kompresora. Na uchopenie nepoužívať iné časti kompresora (agregát, chladič a pod.).

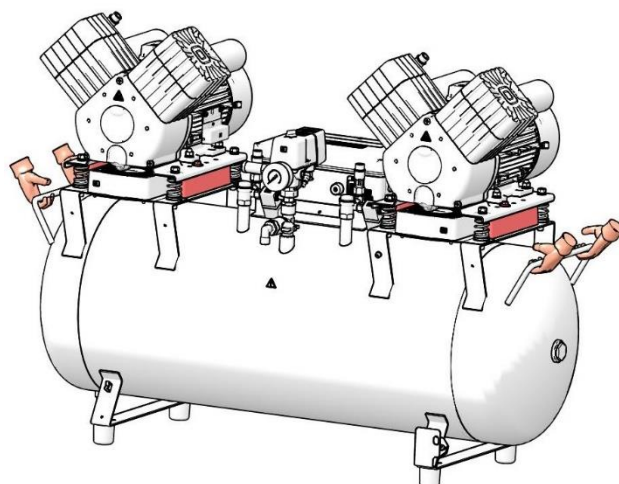
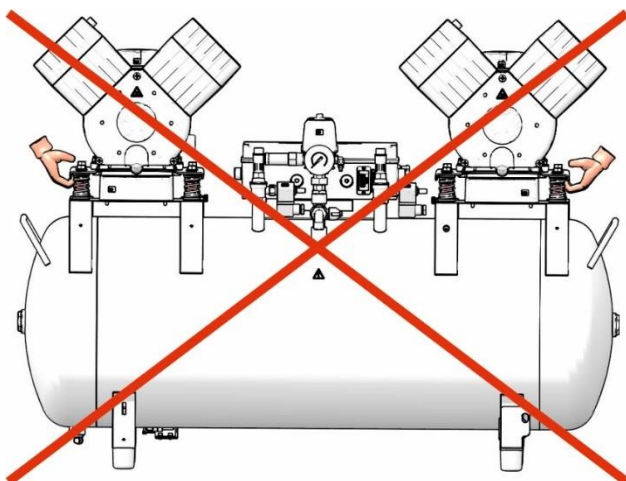


Pri manipulácií so zariadením je potrebné prispôbiť počet osôb podľa hmotnosti zariadenia.

Obr. 4: Manipulácia s kompresorom



DK50 2V/50



DK50 2x2V/110

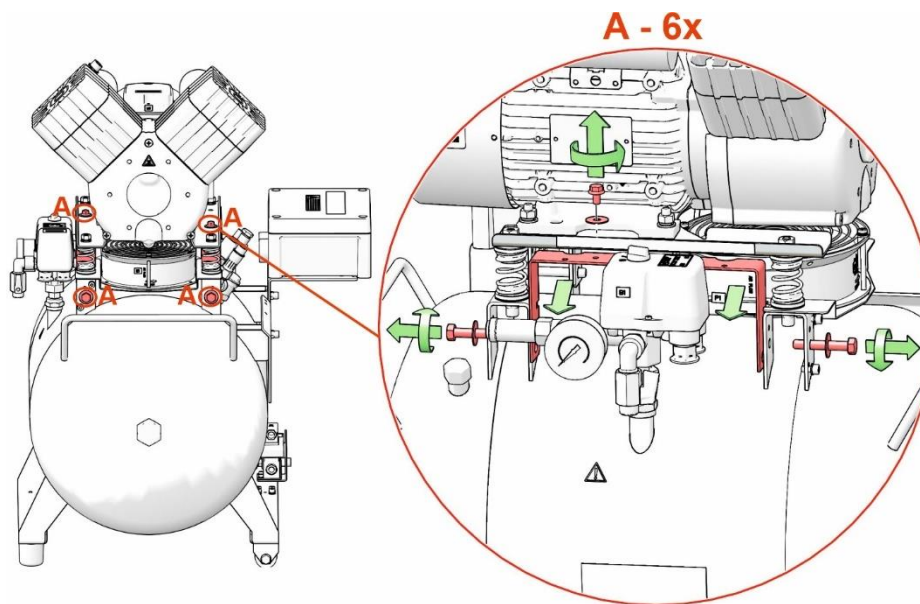
- Odstrániť transportné zaistenie agregátov (Obr. 5).



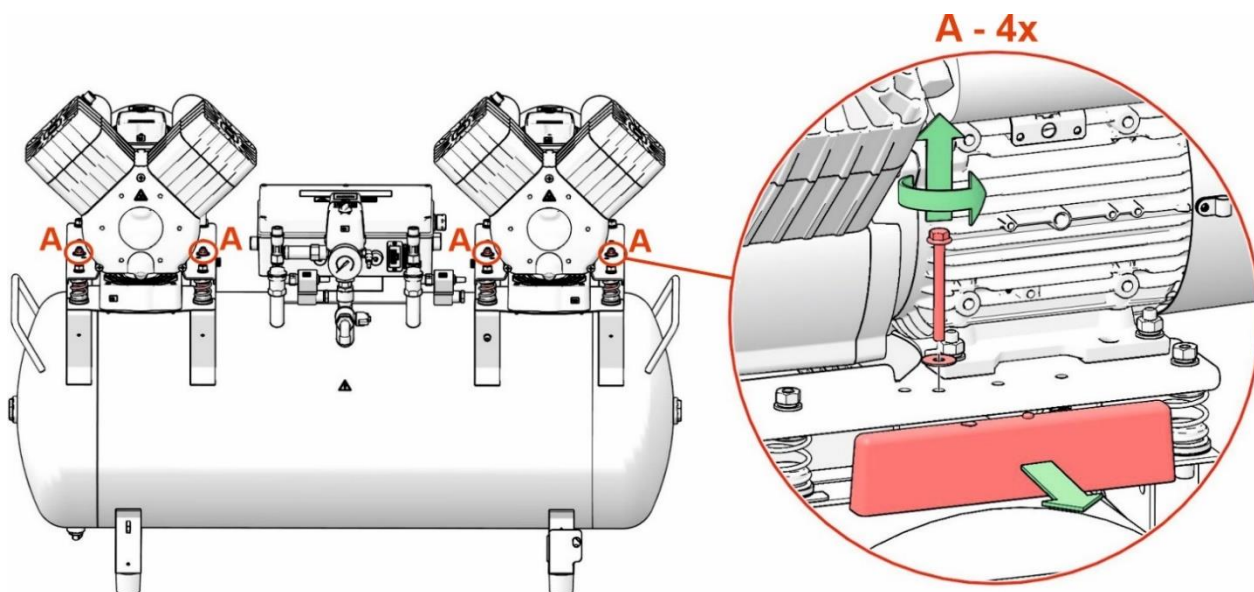
Pred prvým uvedením do prevádzky sa musia odstrániť všetky prvky slúžiace na fixáciu zariadenia počas dopravy – inak hrozí poškodenie výrobku.

Fixačné prvky agregátov odstrániť až po zostavení a vyvážení kompresora na mieste konečného uloženia.

Obr. 5: Odfixovanie agregátu



DK50 2V/50



DK50 2x2V/110

10.2. Umiestnenie kompresora do skrinky

Demontáž dverí (DK50 2V/50 - Obr. 3)

- Odmontovať dvere uchytené 2 ks skrutkami a odpojiť uzemňovací vodič.

Umiestnenie kompresora

- Sňať spojovaciu lištu (33) v prednej spodnej časti skrinky.
- Pred zasunutím kompresora bez sušiča (DK50 2V/50) do skrinky doplniť zvukovo-izolačný materiál do skrinky podľa kap.12.3
- Kompresor zasunúť do skrinky pomocou odťahu (35), spojovaciu lištu položiť pred skrinku a upraviť polohu kompresora tak, aby dva "V" zárezy na spojovacej lište (33), (boli pred nohami kompresora.

- Tým je kompresor správne umiestnený voči skrinke. Kompresor zasunúť do skrinky len toľko, aby sa dala spojovacia lišta namontovať a kompresor nebránil jej osadeniu.
- Kompresor so sušičom zasunúť do skrinky tak, aby ventilátor sušiča bol nasunutý do otvoru vetracieho tunela v skrinke. Pozor, kompresor nezasunúť dozadu až na doraz sa obmedzí prívod chladiaceho vzduchu do chladiča pri sušičovej verzii kompresora a hrozí trvalé poškodenie sušiča.
- Uložiť spojovaciu lištu (33) na pôvodné miesto v spodnej časti skrinky

Montáž dverí skrinky

- Priložiť dvere ku skrinke, pripojiť uzemňovací vodič ku dverám a dvere osadiť na skrinku a upevniť 2 ks skrutkami.



Kompresor so sušičom vzduchu sa nesmie zasunúť úplne do skrinky, inak hrozí trvalé poškodenie sušiča.

Otvorenie horného veka (DK50 2x2V/110 - Obr. 3)

- Nadvihnúť horné veko skrinky uchytением za madlo (31) tak, aby plynové perá udržali veko v otvorenej polohe.



Pri zatváraní veka skrinky treba zvýšiť opatrnosť - riziko privretia prstov rúk.

Po zavretí veka skrinky je vždy potrebné zaistiť rýchloupínacie prvky!

Demontáž predného panelu skrinky

- Odmontovať dvere, uchytенé 4 ks skrutkami M5 a odpojiť uzemňovací vodič

Umiestnenie kompresora

- Kompresor zasunúť do skrinky tak, aby výstup stlačeného vzduchu bol orientovaný k obsluhu
- Pri kompresore so sušičom treba aby bol ventilátor sušiča nasunutý do vetracieho tunelu v skrinke

Montáž dverí skrinky

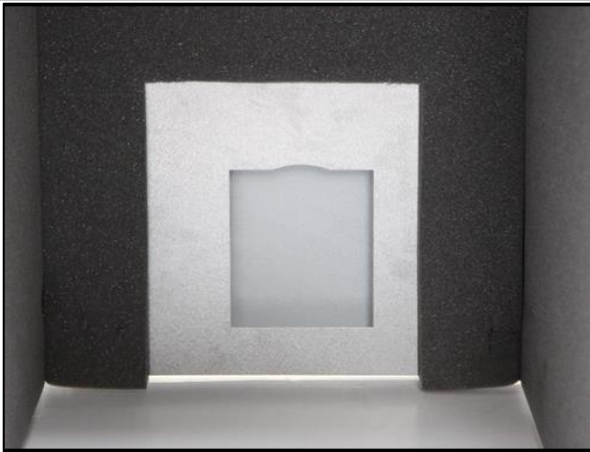
- Priložiť dvere ku skrinke, pripojiť uzemňovací vodič ku dverám a dvere osadiť na skrinku a upevniť 4 ks skrutkami.

10.3. Doplnenie zvukovo-izolačného materiálu do skrinky (DK50 2V/50)

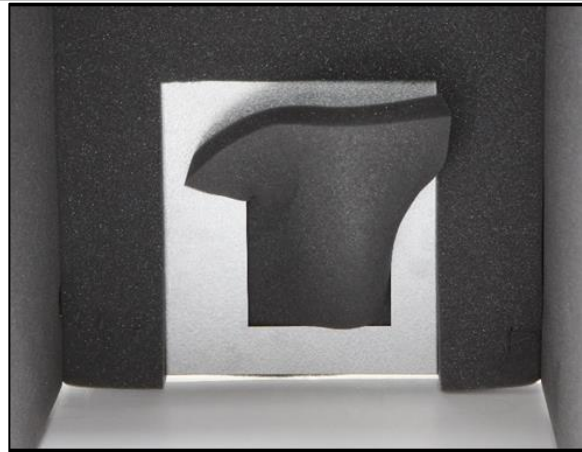
Do skrinky pre kompresor bez sušiča je potrebné osadiť do otvoru v skrinke dielec zo zvukovo-izolačného materiálu.

Dielec je súčasťou základného vybavenia výrobku.

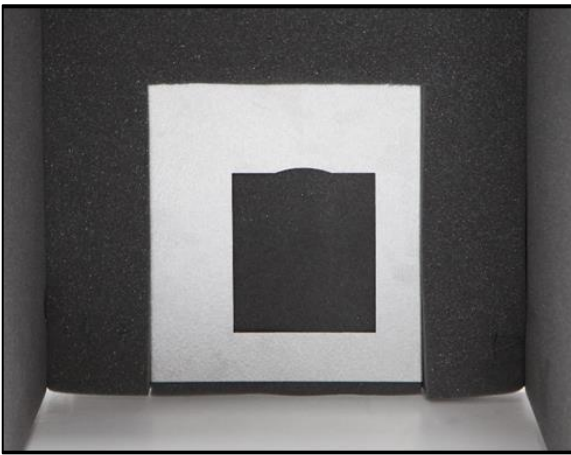
Obr. 6: DK50 2V/50S



A



B



C

10.4. Osadenie ventilu na odvod kondenzátu na skrinku (DK50 2x2V/110)

Pri skrinkovom prevedení kompresora osadiť skrutkovanie s kohútom (1) do diery na boku skrinky a osadiť hadičkou PA Ø8 / Ø6 (2). Druhú stranu hadičky zasunúť do armatúry (4) pod vzdušníkom, z ktorej sa demontuje ventil (3) s hadičkou.

Dieru na náprotivnej strane skrinky zaslepiť zátkou Ø16.5.

Skrutkovanie s kohútom je v základnom vybavení skrinky. Ventil na odvod kondenzátu je možné inštalovať na ľubovoľnú stranu skrinky kompresora.

Obr. 7: Osadenie ventilu na odvod kondenzátu na skrinku



11. PNEUMATICKÉ PRIPOJENIE

11.1. Pripojenie k výstupu stlačeného vzduchu

- Na výstup stlačeného vzduchu (1) kompresora viesť tlakovú hadicu k spotrebiču.
- Pri kompresore v skrinke vyviesť tlakovú hadicu cez otvor v zadnej stene skrinky.

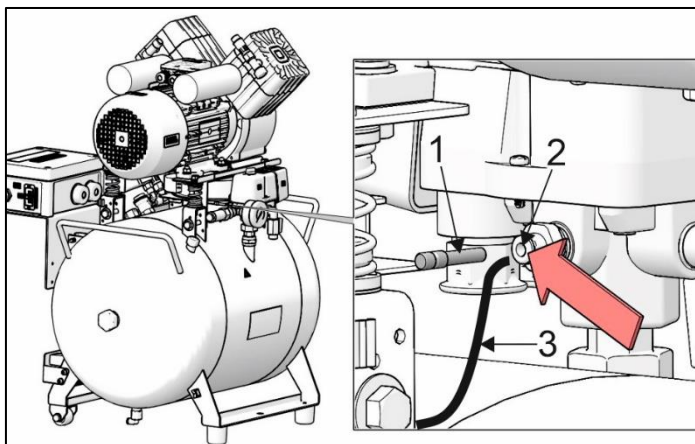


Obr. 8: Pripojenie k výstupu stlačeného vzduchu

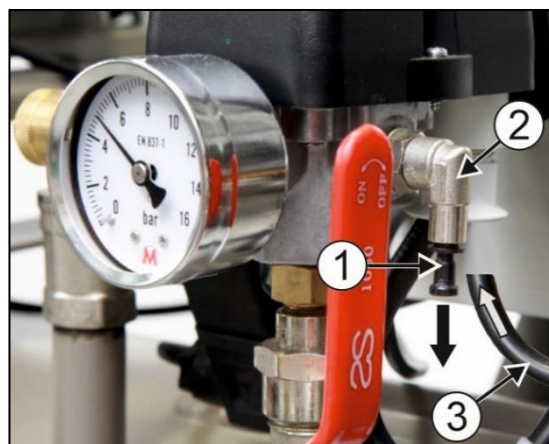
11.2. Pripojenie tlakomera skrinky ku kompresoru

- Odstrániť zátku (1) zo skrutkovania (2) na pneumatickom bloku kompresora.
- Hadičku tlakomera skrinky (3) pripojiť ku skrutkovaniu.

Obr. 9: Pripojenie tlakomera skrinky ku kompresoru



DK50 2V/50S
DK50 2V/50S/M

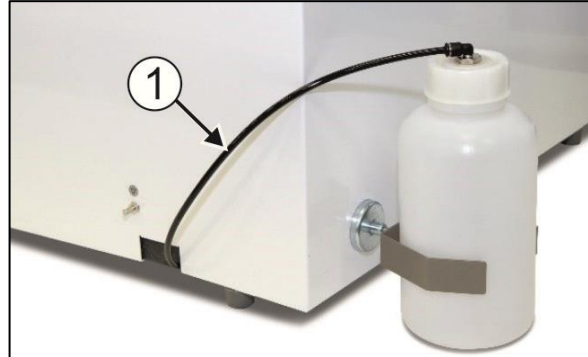
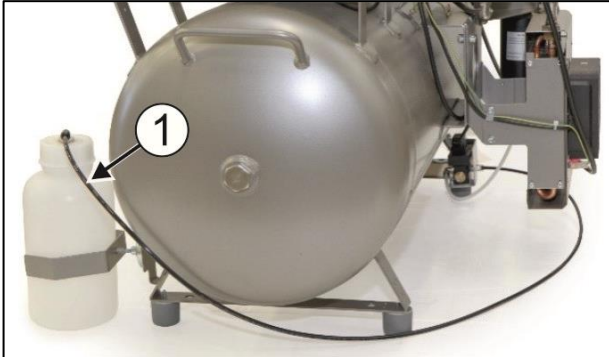


DK50 2x2V/110S
DK50 2x2V/110S/M

11.3. Pripojenie nádoby na kondenzát

- Pri kompresore so sušičom pripojiť hadičku k nádobe na zber kondenzátu. (Obr. 10)

Obr. 10: Pripojenie nádoby na zber kondenzátu



- Pri kompresore so sušičom v skrinke vyviesť hadičku cez otvor v zadnej stene skrinky a pripojiť k nádobe.



Nebezpečenstvo poškodenia pneumatických častí.

Vzduchové hadice nesmú byť zlomené.

12. ELEKTRICKÉ ZAPOJENIE

- Výrobok sa dodáva so šnúrou zakončenou vidlicou s ochranným kontaktom.
- Zásuvka musí byť z bezpečnostných dôvodov dobre prístupná, aby sa výrobok v prípade nebezpečenstva mohol bezpečne odpojiť zo siete.
- Príslušný prúdový okruh musí byť v rozvode elektrickej energie istený maximálne 16 A.



Nebezpečenstvo úrazu elektrickým prúdom.

Je nevyhnutne potrebné rešpektovať miestne elektrotechnické predpisy. Napätie siete a frekvencia musia súhlasiť s údajmi na prístrojovom štítku.



Nebezpečenstvo požiaru a úrazu elektrickým prúdom.

Elektrický kábel sa nesmie dotýkať horúcich častí kompresora.



Nebezpečenstvo požiaru a úrazu elektrickým prúdom.

Elektrická šnúra na pripojenie na elektrickú sieť nesmie byť zlomená.

- Kolík na ekvipotenciálne pospojovanie 6Ø mm (1) prepojiť s rozvodom spôsobom podľa platných elektrotechnických predpisov
- Zásuvka na ekvipotenciálne pospojovanie (2) je doplnkové príslušenstvo a nenachádza sa v základnom balení



Obr. 11: Ekvipotenciálne pospojovanie

- Nasunúť konektor uzemňovacieho vodiča na dvere a priskrutkovať na skrinku

Prívod napájacieho napätia – DK50 2x2V/110

Napájacie napätie	Typ elektrického vodiča
230V/50 (60) Hz	3Gx1.5x4000
400V/50 (60) Hz	5Gx1.5x4000

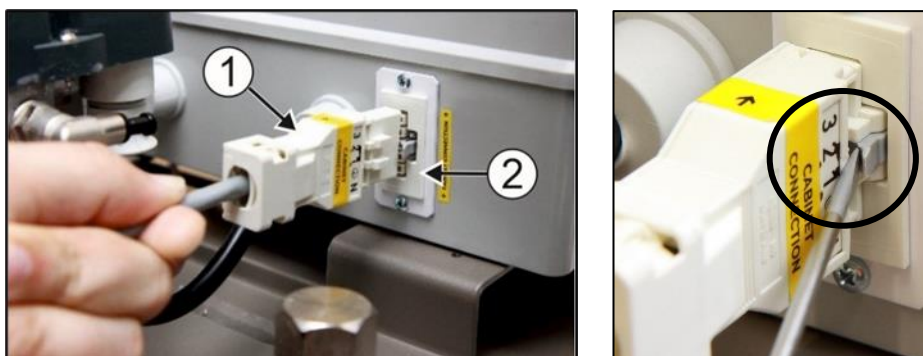
12.1. Zapojenie kompresora bez skrinky

- Vidlicu sieťovej šnúry zapojiť do sieťovej zásuvky
- Kompresor je pripravený k prevádzke

12.2. Zapojenie kompresora v skrinke

- Pri kompresore v skrinke vyviešť sieťovú šnúru cez otvor zadnej stene skrinky.
- Skrinku elektricky pripojiť ku kompresoru pomocou šnúry s konektorom (1) do zásuvky (2). (Obr. 12)
- Skrinku elektricky odpojiť od kompresora vytiahnutím konektora (1) zo zásuvky pri uvoľnenej západke.

Obr. 12: Zapojenie kompresora v skrinke



13. PRVÉ UVEDENIE DO PREVÁDZKY

- Skontrolovať, či boli odstránené všetky fixačné prvky použité počas prepravy.
- Skontrolovať správnosť pripojenia stlačeného vzduchu (pozri kap. 11).
- Skontrolovať správne pripojenie na elektrickú sieť (pozri kap.12).
- Skontrolovať polohu prepínača, musí byť v polohe „I“. V prípade, že sa nachádza v polohe „0“, zapnúť prepínač (2) do polohy „I“. (Obr. 13)
- Pri kompresore v skrinke zapnúť vypínač (4), na prednej časti skrinky zariadenia, do polohy „I“ – zelená kontrolka signalizuje stav zariadenia v prevádzke. (Obr. 13)
- Skontrolovať zapojenie konektora skrinky ku kompresoru. (Obr. 12)
- Skontrolovať pripojenie hadičky manometra skrinky k pneumatickému bloku kompresora. (Obr. 9)

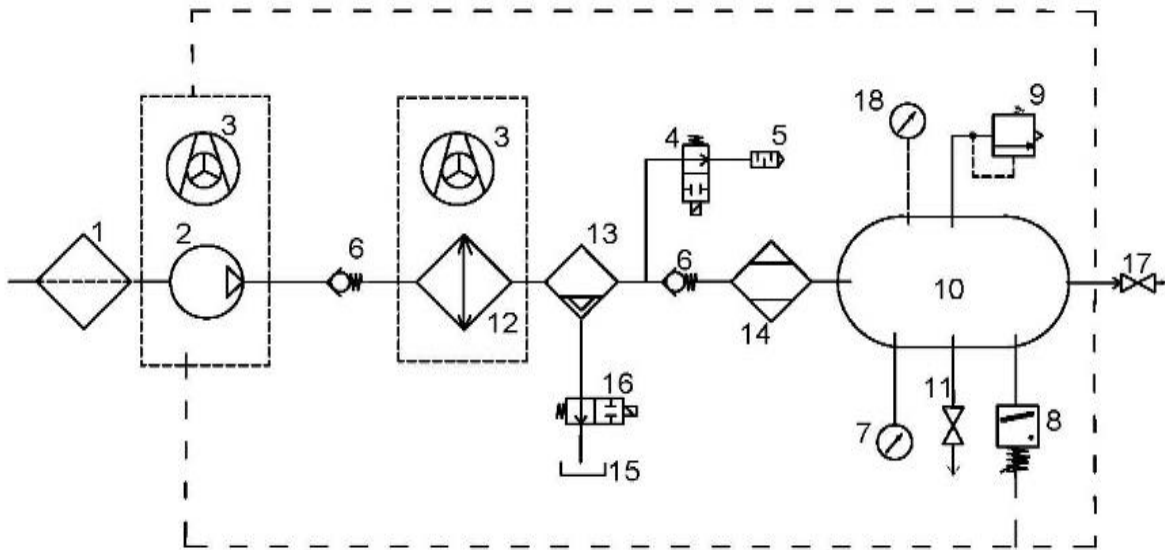


Kompresor neobsahuje záložný zdroj energie.

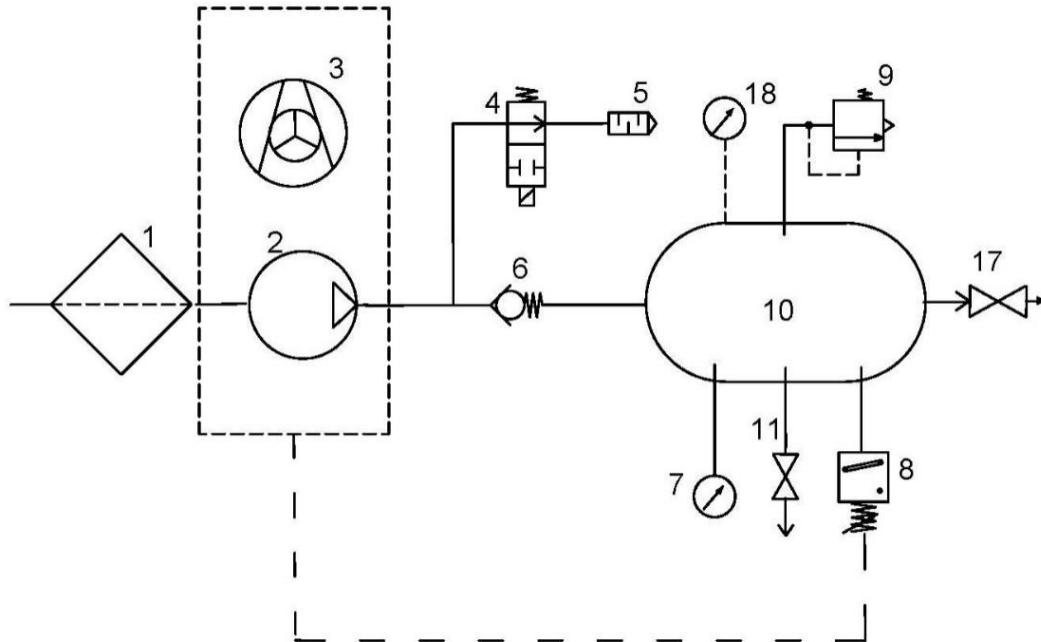
14. PNEUMATICKÉ A ELEKTRICKÉ SCHÉMY

14.1. Pneumatické schémy

DK50 2V/50/M

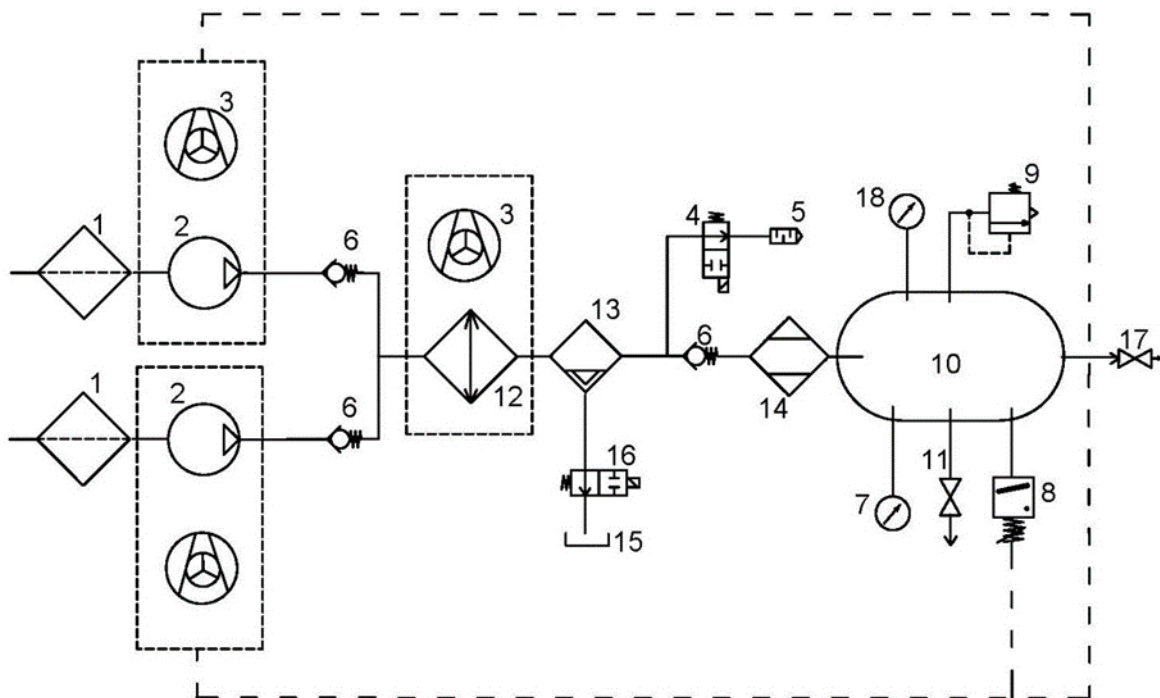


DK50 2V/50



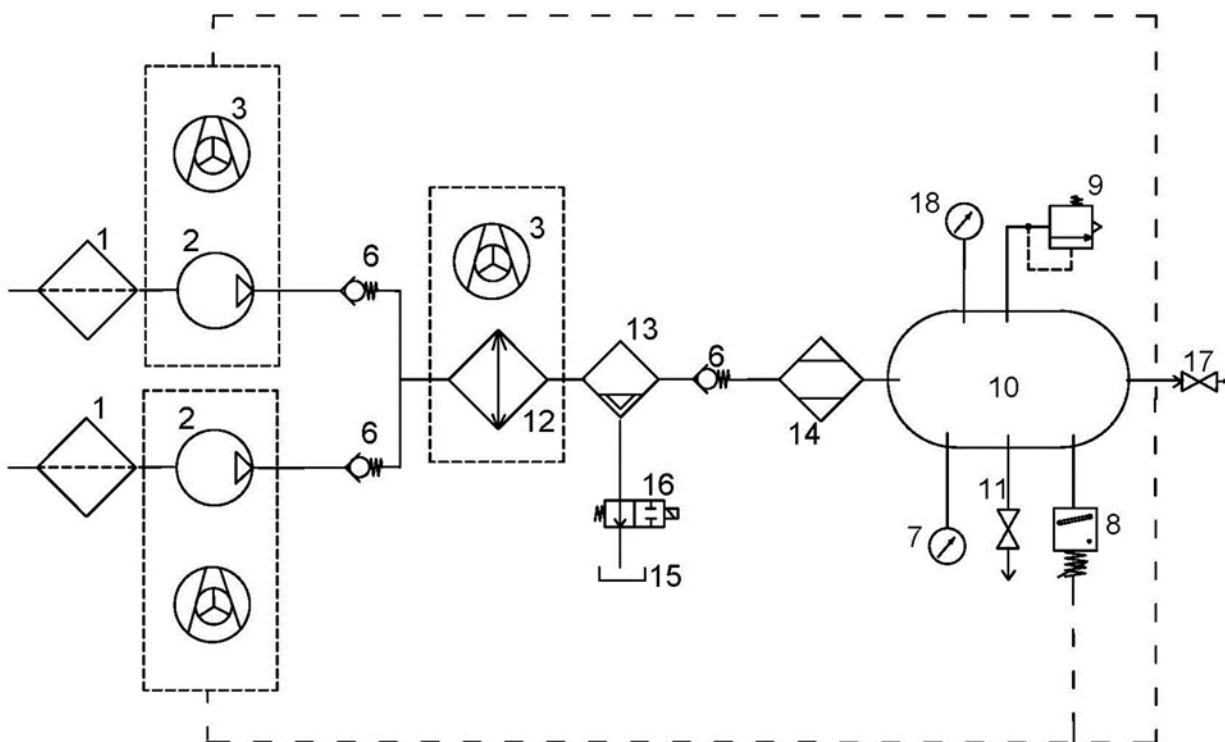
DK50 2x2V/110/M

230 V



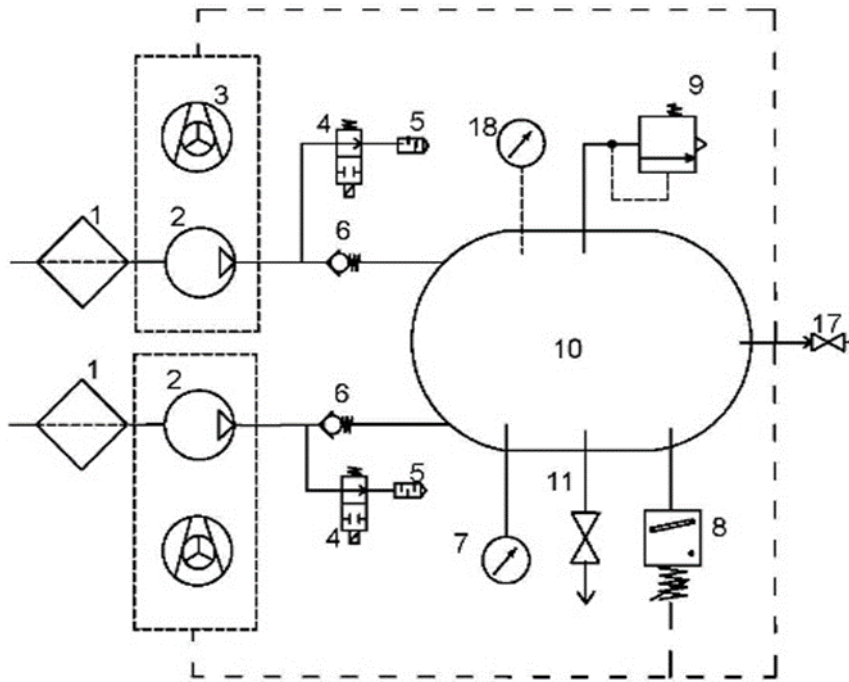
DK50 2x2V/110/M

400 V



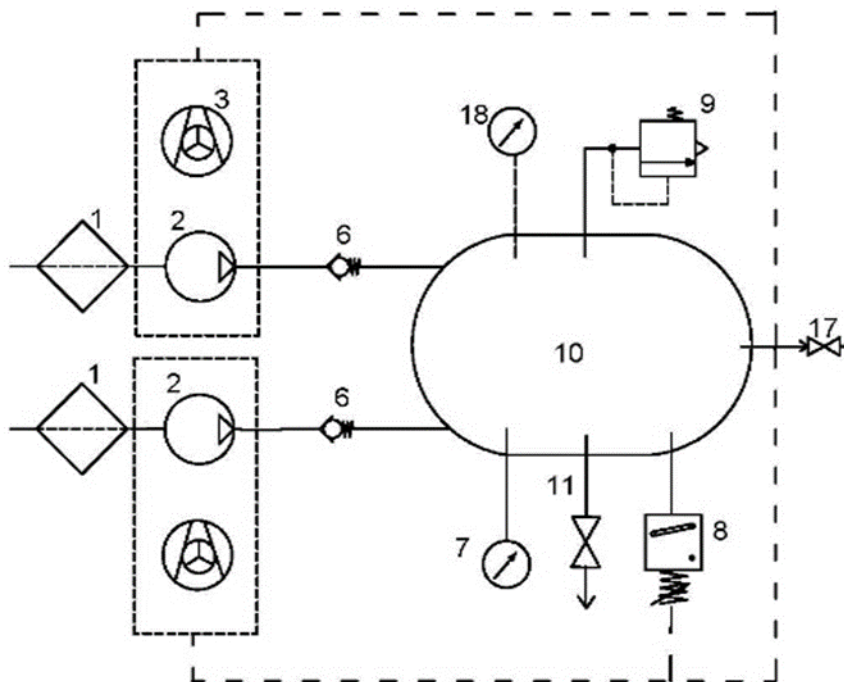
DK50 2x2V/110

230 V



DK50 2x2V/110

400 V



Popis k pneumatickým schémam

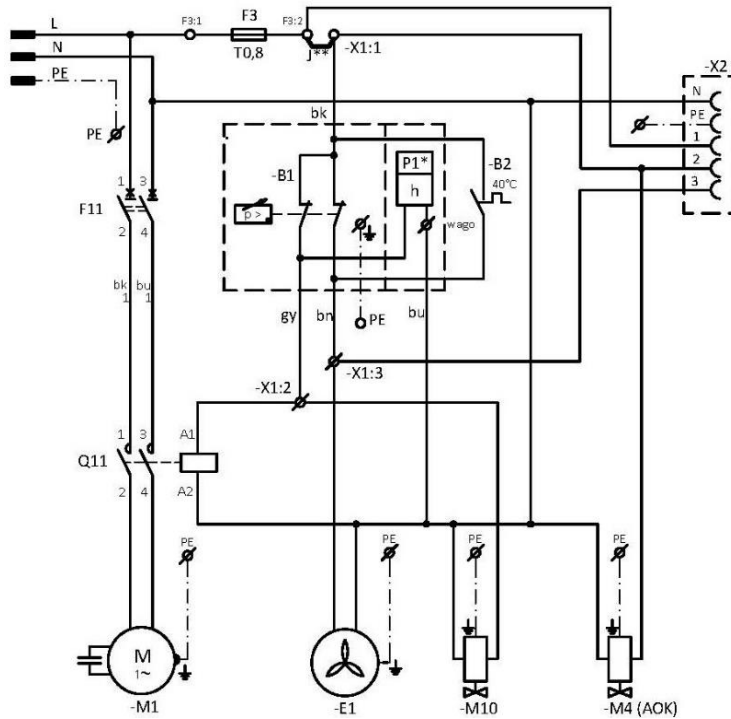
- | | | | |
|---|--------------------|----|-------------------------------------|
| 1 | Vstupný filter | 9 | Poistný ventil |
| 2 | Kompresor | 10 | Vzdušník |
| 3 | Ventilátor | 11 | Vypúšťací ventil |
| 4 | Odfahčovací ventil | 12 | Chladič |
| 5 | Tlmič hluku | 13 | Koalescenčný filter |
| 6 | Spätný ventil | 14 | Membránový sušič |
| 7 | Tlakomer | 15 | Nádoba na zber kondenzátu |
| 8 | Tlakový spínač | 16 | Solenoidný ventil odvodu kondenzátu |
| | | 17 | Výstupný ventil |
| | | 18 | Tlakomer skrinky |

14.2. Elektrické schémy

DK50 2V/50

6 - 8 bar, 8 - 10 bar

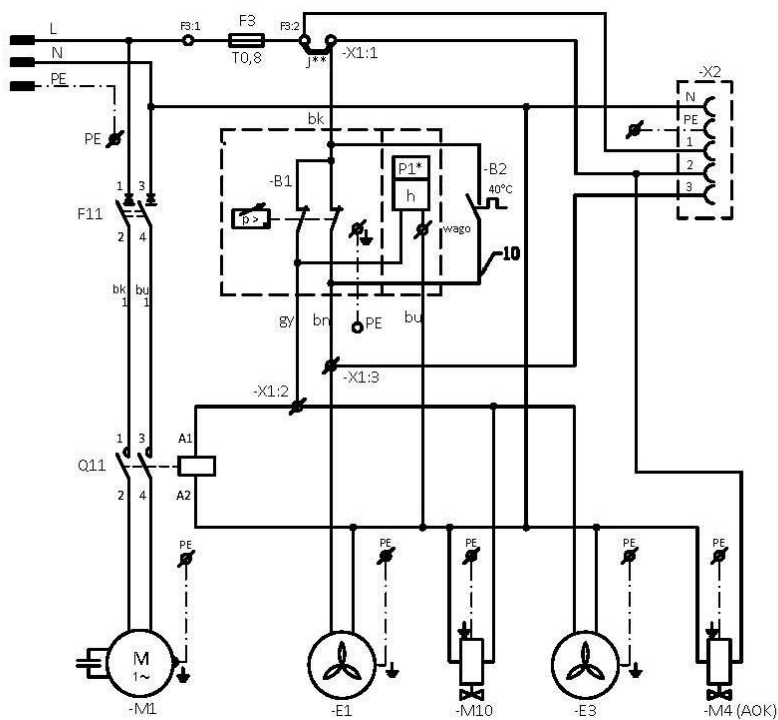
1/N/PE ~ 230V/50Hz, 230V/60Hz
ELEKTRICKÝ PREDMET TR.1



DK50 2V/50/M

6 - 8 bar, 8 - 10 bar

1/N/PE ~ 230V/50Hz, 230V/60Hz
ELEKTRICKÝ PREDMET TR.1



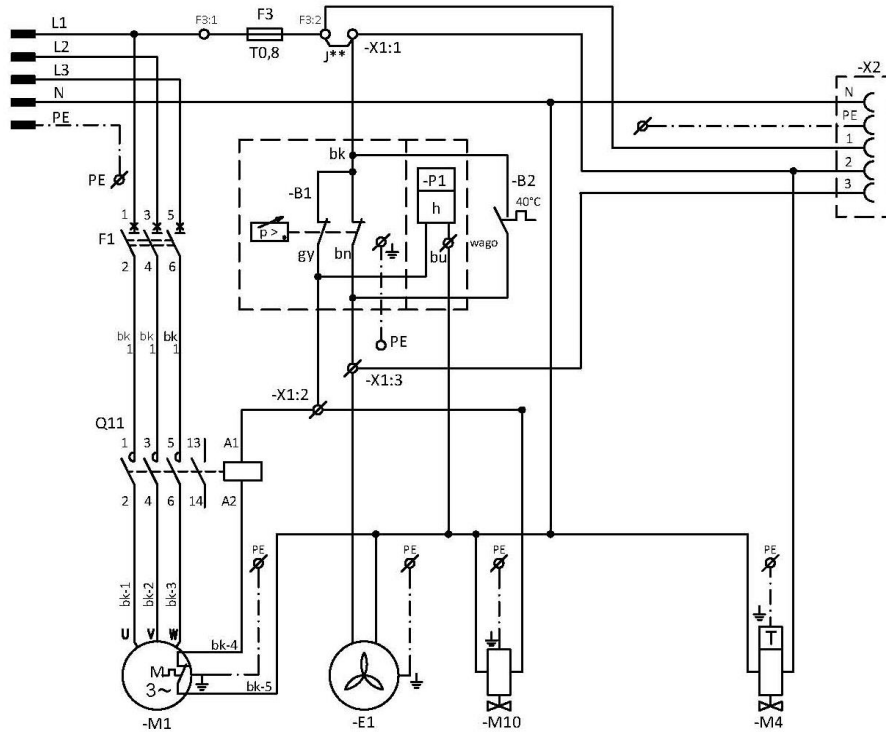
DK50 2V/50

6 - 8 bar

1/N/PE ~ 400V 50 Hz

Sieť TN-S [TN-C-S]

ELEKTRICKÝ PREDMET TR.1



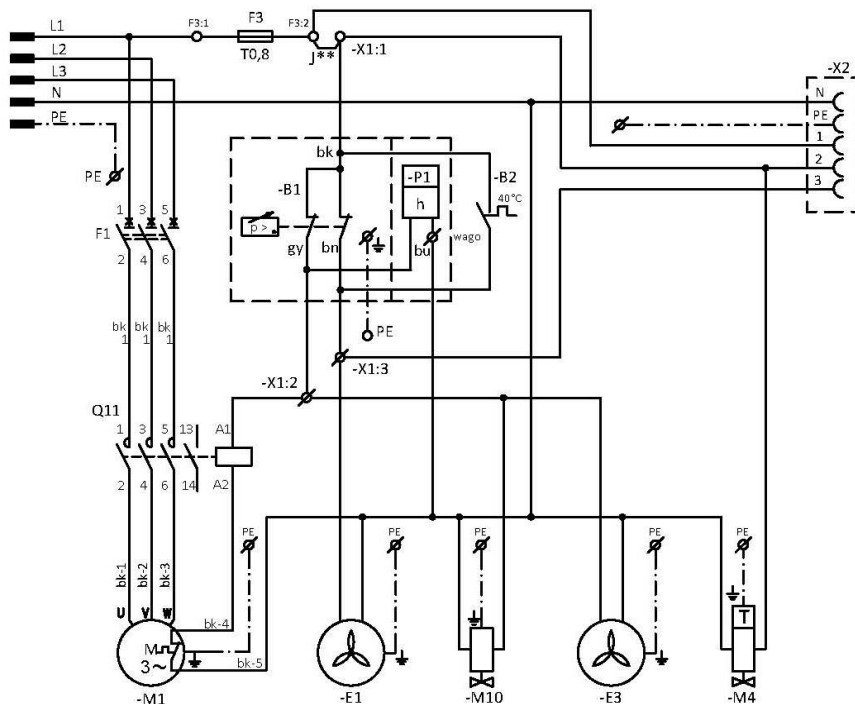
DK50 2V/50/M

6 - 8 bar

1/N/PE 400 V, 50 Hz

ELEKTRICKÁ SIĚŤ TN-S [TN-C-S]

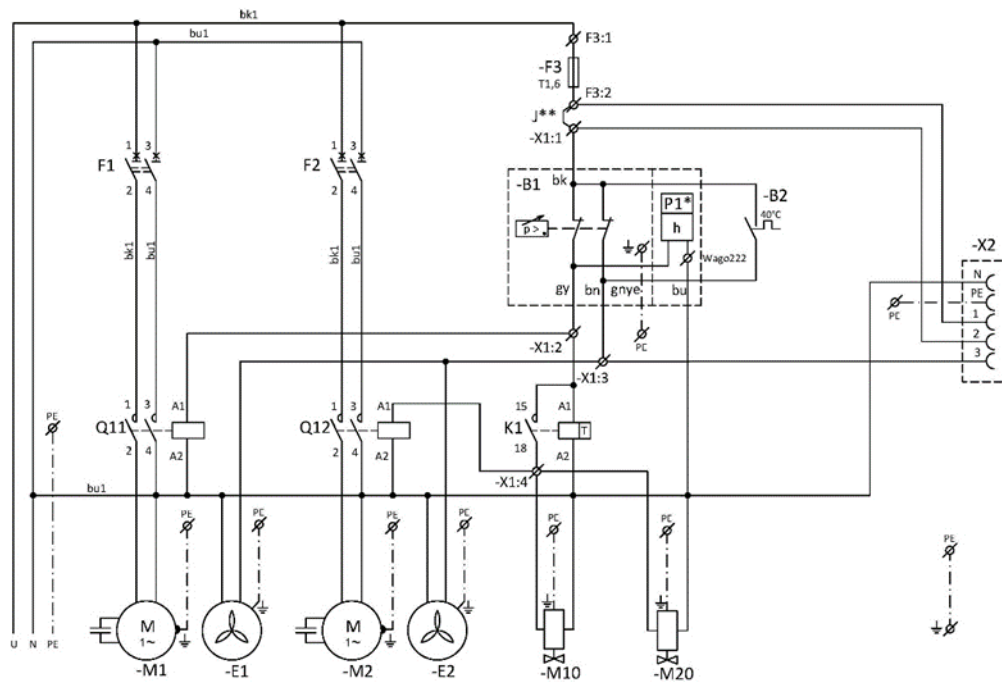
ELEKTRICKÝ PREDMET TR.1



DK50 2x2V/110
5 - 7 bar, 6 - 8 bar, 8 - 10 bar

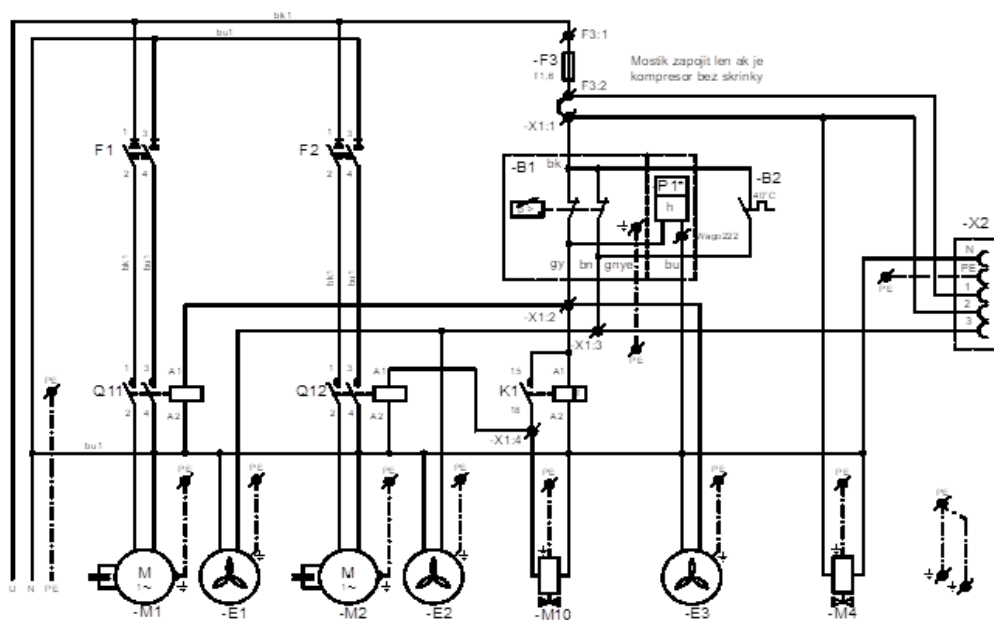
1/N/PE 230 V, 50/60 Hz

ELEKTRICKÝ PREDMET TR.1


DK50 2x2V/110/M
5 - 7 bar, 6 - 8 bar

1/N/PE 230 V, 50/60 Hz

ELEKTRICKÝ PREDMET TR.1

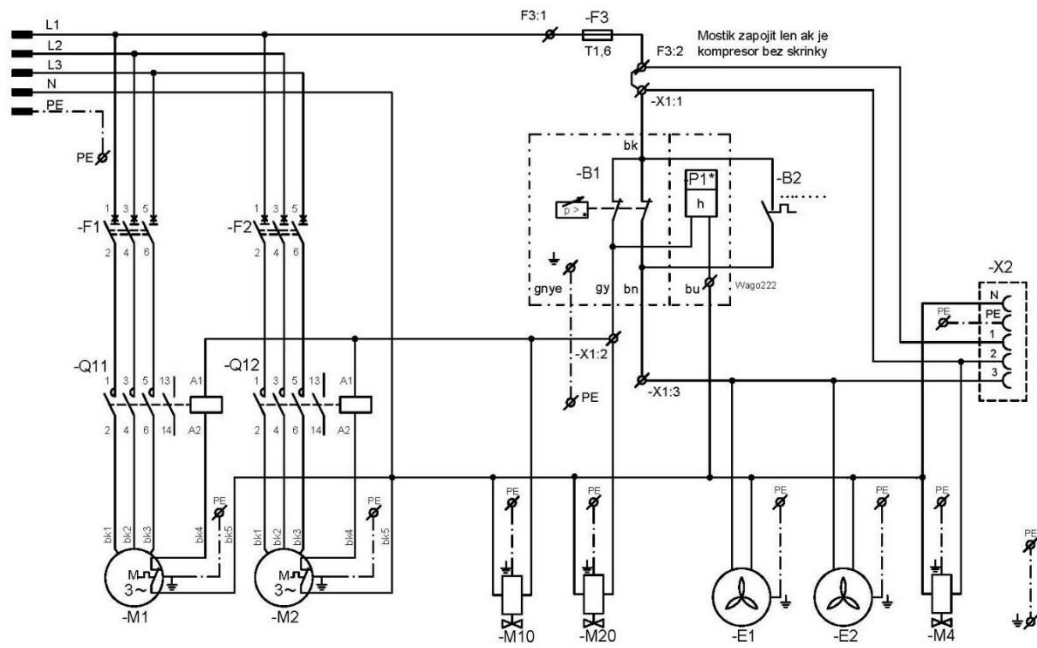


DK50 2x2V/110

5 - 7 bar, 6 - 8 bar, 8 - 10 bar

1/N/PE 230 V, 50/60 Hz

ELEKTRICKÝ PREDMET TR.1



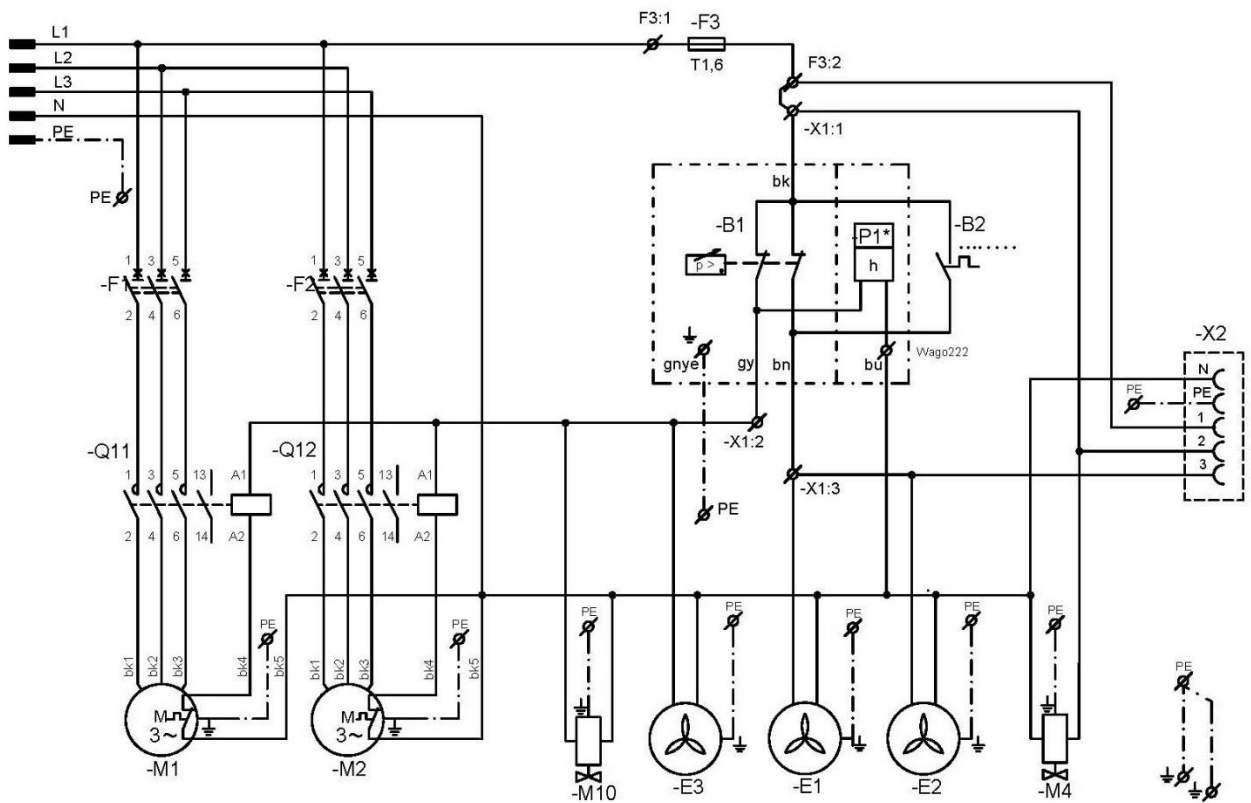
DK50 2x2V/110/M

5 - 7 bar, 6 - 8 bar, 8 - 10 bar

1/N/PE 230 V, 50/60 Hz

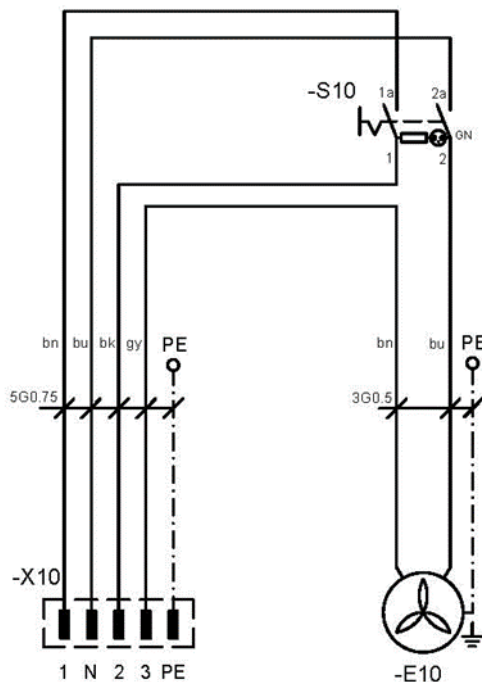
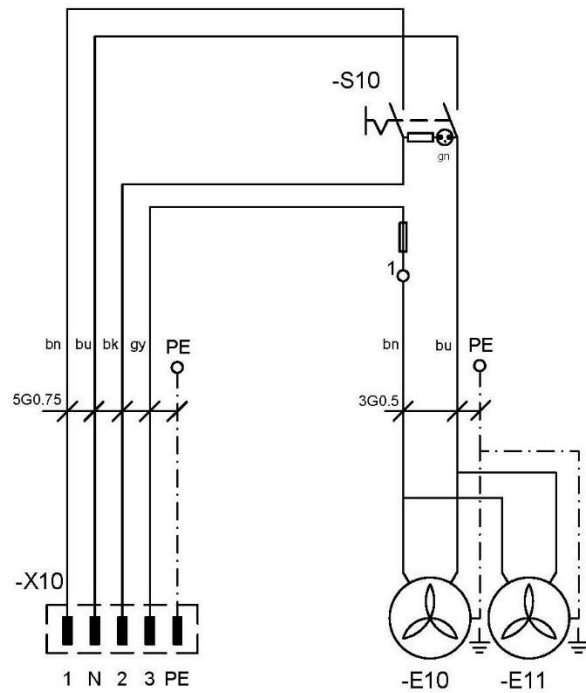
Sieť TN-S [TN-C-S]

ELEKTRICKÝ PREDMET TR.1



Skrinka kompresora

ELEKTRICKÝ PREDMET TR.1


DK50 2V/50S

DK50 2x2V/110S
Popis k elektrickým schémam

M1,M2 Motor kompresora
 E1,E2 Ventilátor kompresora
 E3 Ventilátor sušiča
 M10,M20 Odľahčovací ventil
 B2 Teplotný spínač
 E10,E11 Ventilátor skrinky
 X10 Konektor
 X2 Zásuvka

B1 Tlakový spínač
 X1 Svorkovnica
 M4 Ventil odvodu kondenzátu
 P1* Počítadlo hodín
 S10 Vypínač
 K1 Časové relé
 F1,2 Istič
 F3 Poistka
 Q11,12 Stykač

Poznámka:

- P1* - Pri prevedení kompresora 8-10bar, je na tlakovom spínači umiestnené počítadlo hodín.
- J** - Mostík zapojiť iba pri kompresore bez skrinky (pozri kap. 17.10)

OBSLUHA

ZARIADENIE SMIE OBSLUHOVAŤ LEN VYŠKOLENÝ PERSONÁL !



Nebezpečenstvo úrazu elektrickým prúdom.

Pri nebezpečenstve odpojiť kompresor od elektrickej siete (vytiahnuť sieťovú zástrčku).



Nebezpečenstvo popálenia alebo požiaru.

Pri činnosti kompresora sa časti agregátu môžu zohriať na teploty nebezpečné pre dotyk osôb alebo materiálu.



Výstraha – kompresor je ovládaný automaticky.

Automatické spustenie. Keď tlak v tlakovej nádrži poklesne na zapínací tlak, kompresor sa automaticky zapne. Kompresor sa automaticky vypne, keď tlak vo vzdušníku dosiahne hodnotu vypínacieho tlaku.



Nebezpečenstvo poškodenia pneumatických častí.

Je zakázané meniť pracovné tlaky tlakového spínača nastaveného u výrobcu. Činnosť kompresora pri nižšom pracovnom tlaku ako je zapínací tlak svedčí o vysokej spotrebe vzduchu (pozri kap. vyhľadávanie porúch a ich odstránenie).



Nebezpečenstvo poškodenia sušiča.

Pri prevádzke sušiča pri teplote okolia vyššej ako maximálna prevádzková teplota uvedená v Technických údajoch môže dôjsť k poškodeniu sušiča.



Požadovaný stupeň sušenia je možné dosiahnuť len pri dodržaní predpísaných prevádzkových podmienok.

Pri prevádzke sušiča pri tlaku nižšom ako je minimálny pracovný tlak sa zníži účinnosť sušenia a zhorší sa dosahovaný rosný bod.



Pri dlhšom chode kompresora sa zvýši teplota v okolí kompresora nad 40 °C a automaticky sa zopne chladiaci ventilátor. Po vychladení priestoru pod približne 32 °C sa ventilátor opäť vypne.

15. ZAPNUTIE KOMPRESORA

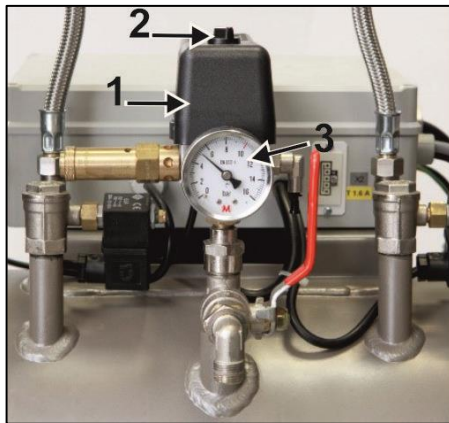
Kompresor (bez skrinky) zapnúť na tlakovom spínači (1) otočením prepínača (2) do polohy „I“. Kompresor začne pracovať, naplní vzdušník na vypínací tlak a tlakový spínač vypne kompresor.

Kompresor v skrinke zapnúť vypínačom (4) na prednej strane skrinky, kontrolka sa rozsvieti na zeleno. Kompresor začne pracovať, naplní vzdušník na vypínací tlak a tlakový spínač vypne kompresor.

Ďalej už kompresor pracuje v automatickom režime, podľa spotreby stlačeného vzduchu sa kompresor zapína a vypína.

Hodnoty zapínacieho a vypínacieho tlaku skontrolovať na tlakomeri (3). Hodnoty môžu byť v tolerancii $\pm 10\%$. Tlak vzduchu vo vzdušníku nesmie prekročiť povolený prevádzkový tlak

Obr. 13: Zapnutie kompresora



Kompresor začne pracovať podľa nižšie uvedeného popisu činnosti:

- **Kompresor (bez sušiča)** – kompresor pri prvom zapnutí a uvedení do činnosti naplní vzdušník na vypínací tlak a tlakový spínač vypne kompresor. Ďalej už kompresor pracuje automaticky, podľa spotreby stlačeného vzduchu sa kompresor zapína a vypína.
- **Kompresor so sušičom** – kompresor pracuje rovnako ako v predchádzajúcom prípade avšak počas činnosti kompresora stlačený vzduch prechádza sušičom, ktorý odoberá vlhkosť zo stlačeného vzduchu.



Nebezpečenstvo poškodenia pneumatických častí.

Tlakový spínač (1) bol nastavený u výrobcu a ďalšie nastavenie zapínacieho a vypínacieho tlaku môže vykonať iba kvalifikovaný odborník vyškolený výrobcou.

16. VYPNUTIE KOMPRESORA

- Vypnutie kompresora kvôli vykonaniu servisu alebo z iného dôvodu vykonať na tlakovom spínači (1) otočením prepínača (2) do polohy „0“ (Obr. 13) a **vytiahnutím sieťovej vidlice zo zásuvky**. Kompresor je tým odpojený od napájacej siete.
- Znížiť tlak vo vzdušníku na nulu otvorením vypúšťacieho ventilu. (Obr. 7)

ÚDRŽBA VÝROBKU

17. ÚDRŽBA VÝROBKU



Prevádzkovateľ je povinný zabezpečiť vykonávanie skúšok zariadenia v intervaloch, ktoré určujú príslušné národné právne predpisy. O výsledkoch skúšok musí byť vykonaný záznam.

Zariadenie je navrhnuté a vyrobené tak, aby jeho údržba bola minimálna. Pre riadnu a spoľahlivú činnosť kompresora je však potrebné vykonávať práce podľa nasledujúceho popisu.



Nebezpečenstvo neodborného zásahu.

Opravné práce, ktoré presahujú rámec bežnej údržby (pozri kap. 17.1 Intervaly údržby), smie vykonávať iba kvalifikovaný odborník (organizácia poverená výrobcom) alebo zákaznícky servis výrobcu.

Práce v rámci bežnej údržby (pozri kap. 17.1 Intervaly údržby) smie vykonávať iba zaškolený pracovník obsluhy.

Používať sa smú iba náhradné diely a príslušenstvo predpísané výrobcom.



Nebezpečenstvo úrazu a poškodenia zariadenia.

Pred začatím prác týkajúcich sa údržby kompresora je nutné:

- skontrolovať, či je možné odpojiť kompresor od spotrebiča, aby tým nevzniklo riziko poškodenia zdravia osoby používajúcej daný spotrebič, prípadne iné materiálne škody;
- vypnúť kompresor;
- odpojiť ho z elektrickej siete (vytiahnuť sieťovú zástrčku)
- vypustiť stlačený vzduch zo vzdušníka.



Nebezpečenstvo úrazu pri vypúšťaní stlačeného vzduchu.

Pri vypúšťaní stlačeného vzduchu z pneumatického rozvodu (vzdušníka) je potrebné chrániť si zrak – použiť ochranné okuliare.



Nebezpečenstvo popálenia.

Počas činnosti kompresora alebo krátko po jej ukončení majú časti agregátu (hlava, valec, tlaková hadica) vysokú teplotu – nedotýkať sa uvedených častí.

Pred údržbou, servisom výrobku alebo pripájaním / odpájaním prívodu tlakového vzduchu nechať zariadenie vychladnúť!



Uzemňovací vodič odpojený počas servisného zásahu je potrebné po ukončení prác opätovne pripojiť na pôvodné miesto.

- Pri servise alebo údržbe je možné vysunúť kompresor zo skrinky jeho vytiahnutím pred skrinku (ako dovolí dĺžka šnúry medzi kompresorom a skrinkou). (Pozri kap. 17). Po jeho vytiahnutí je možné vykonať potrebnú údržbu alebo servis.
- V prípade odpojenia šnúry medzi kompresorom a skrinkou (vytiahnutím vidlice konektora, kap.12.2), kompresor nie je funkčný. Aby kompresor bol funkčný, treba postupovať podľa kap. 12.2 alebo 17.10 alebo 17.11

17.1. Intervaly údržby

Časový interval ^{c)}	50 Hz	1x za deň	1x za týždeň	1x za rok	1x za 2 roky	2000 hod						Kap.	Súprava náhradných dielov	Vykoná cieľov	
						1600 h	3200 h	4800 h	6400 h	8000 h	10000 h				12000 h
Kontrola činnosti výrobu		x										17.2	-		obsluha
Vypustiť kondenzát zo vzdušníka ^{b)} - Pri vysokej vlhkosti vzduchu		x										17.5	-		
Vypustiť kondenzát zo vzdušníka ^{b)} - Pri bežnej vlhkosti vzduchu			x									17.5	-		
Kontrola funkcie výrobu			x									8	-		
Kontrola tesnosti spojov a kontrolná prehliadka zariadenia				x								17.3	-		
Kontrola elektrických spojov				x								17.4	-		
Kontrola chladiča a ventilátora				x								17.9	-		
Výmena filtračnej vložky filtra sušiča DK50 2x2V/110				x								17.8	025200305-000		
Výmena filtračnej vložky filtra sušiča DK50 2V/50				x								17.8	025200304-000		
Kontrola poistného ventilu				x								17.6	-		
Výmena vstupného filtra a predfiltra agregátu 2V ^{a)}				x								17.7	025200139-000 025200150-000		

^{a)} platí údaj v hodinách, ak nie je dostupný, potom platí údaj v rokoch

^{b)} platí len pre kompresor bez sušiča

^{c)} Pri prevedení kompresora 60 Hz sa časový interval v hodinách skráti o 20 % (2000h./1600h., 4000h./3200h., 6000h./4800h., 8000h./6400h., 10000h./8000h., 12000h./9600h.)

17.2. Kontrola činnosti

- Kontrolovať stav agregátov – agregáty musia mať rovnomerný chod, bez vibrácií, primeranú hlučnosť. V prípade negatívneho výsledku hľadať príčinu stavu alebo volať servis.
- Kontrolovať činnosti ventilátorov (zrakom) – ventilátory musia byť v činnosti v čase, keď sú v činnosti agregáty. V prípade negatívneho výsledku hľadať príčinu stavu alebo volať servis.
- Kontrolovať neporušenosť prívodného kábla, pneumatických hadíc. Poškodené diely vymeniť alebo volať servis.
- Kontrola teploty okolia – teplota okolia musí byť pod povolenou teplotou (40°C). V prípade vyššej teploty zlepšiť chladenie v miestnosti.
- Pri kompresore so sušičom vzduchu - na fľaši na kondenzát uvoľniť zátku a vyliť kondenzát.

17.3. Kontrola tesnosti pneumatických spojov a kontrolná prehliadka zariadenia

Kontrola tesnosti

- Kontrolu tesnosti pneumatických rozvodov kompresora vykonať počas činnosti – tlakovania kompresora.
- Analyzátorom netesností alebo mydlovou vodou kontrolovať tesnosť spojov. Ak je indikovaná netesnosť, spoj je potrebné dotiahnuť, prípadne spoj utesniť.

Prehliadka zariadenia

- Skontrolovať stav agregátu kompresora - rovnomernosť chodu, primeraná hlučnosť.
- Kontrola činnosti ventilátorov - ventilátory musia byť v činnosti v predpísaných cykloch činnosti kompresora.
- Kontrola funkcie teplotného spínača (B2) – teplotný spínač zahriať na teplotu vyššiu ako 40°C (napr. teplotnou pištoľou – Pozor, nepôsobiť vysokou teplotou na plastové diely v okolí, môže dôjsť k deformácii plastov). Po dosiahnutí teploty 40 °C sa uvedie do činnosti ventilátor EV1, EV2 (aj EV3, v prípade kompresora so sušičom) – kompresor musí byť pod napätím.
- Skontrolovať stav filtrov – filtre musia byť bez poškodenia a primerane čisté.
- Skontrolovať stav samotného agregátu, skontrolovať, či nie sú nečistoty v kľukovej skrini, príp. vôľa na kľukovom hriadeľi.
- V prípade zistených nedostatkov chybné súčiastky vymeniť.

17.4. Kontrola elektrických spojov



Nebezpečenstvo úrazu elektrickým prúdom.

Kontrolu elektrických spojov výrobku vykonávať pri odpojení sieťovom napätí.

- Skontrolovať mechanickú funkčnosť hlavného vypínača.
- Skontrolovať neporušenosť prívodného kábla, pripojenie vodičov.
- Vizualne skontrolovať pripojenie káblov na svorkovnicu.
- Skontrolovať všetky skrutkové spoje ochranného zelenožltého vodiča PE.

17.5. Vypustenie kondenzátu



Riziko pošmyknutia na vlhkej podlahe v prípade pretečenia nádoby.



Pred každým vyprázdňovaním nádoby je nutné kompresor vypnúť!

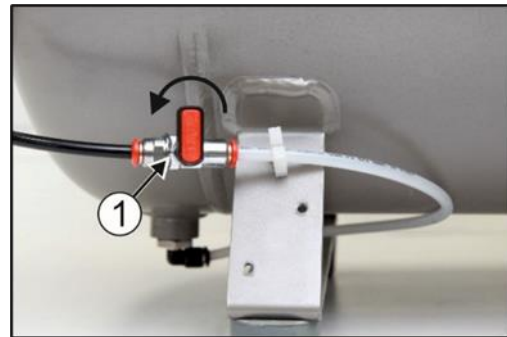


Vypúšťací ventil otvárať opatrne a postupne. Veľké otvorenie vypúšťacieho ventilu je sprevádzané výrazným akustickým prejavom a nekontrolovaným vystreknutím nahromadeného kondenzátu.

Kompresory

Pri pravidelnej prevádzke sa odporúča vypustiť kondenzát z tlakovej nádoby.

- Kompresor vypnúť zo siete a tlak vzduchu v zariadení znížiť na tlak max. 1 bar, napríklad odpustením vzduchu cez pripojené zariadenie.
- Hadicu s odkalovacím ventilom nasmerovať do vopred pripravenej nádoby a otvorením vypúšťacieho ventilu (1) vypustiť kondenzát z nádrže.



Obr. 14: Vypustenie kondenzátu z tlakovej nádoby

Kompresory bez sušiča je možné vybaviť Automatickým odvodom kondenzátu (AOK), ktorý zabezpečí odvádzanie kondenzátu bez zásahu obsluhy (pozri kap. doplnkové vybavenie).

Kompresory so sušičom vzduchu

Pri kompresore so sušičom vzduchu sa kondenzát automaticky odlučuje do nádoby na zber kondenzátu.

- Kontrolovať naplnenie nádoby po značku (podľa objemu 1l /2l nádoby) a vyprázdniť najneskôr raz za deň.



Obr. 15: Kontrola nádoby na zber kondenzátu

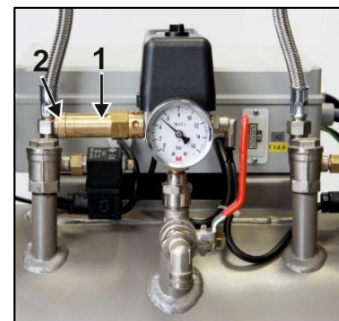


Pred nasledujúcimi kontrolami je potrebné:

- Pri prevedení kompresora so skrinkou odistiť zámok na dverách a otvoriť dvere skrinky.

17.6. Kontrola poistného ventilu

- Skrutku (2) poistného ventilu (1) otočiť niekoľko otáčok doľava kým vzduch cez poistný ventil nevyfúkne.
- Poistný ventil nechať len krátko voľne vyfúknuť.
- Skrutku (2) otáčať doprava až na doraz, ventil musí byť teraz opäť zatvorený.



Obr. 16: Kontrola poistného ventilu



Nebezpečenstvo nebezpečného nárastu tlaku pri poškodení poistného ventilu.

Poistný ventil sa nesmie používať na odtlakovanie vzdušníka. Môže byť ohrozená funkcia poistného ventilu. U výrobcu je nastavený na povolený maximálny tlak, je preskúšaný a označený.

Poistný ventil sa nesmie prestavovať.



Nebezpečenstvo úrazu pri vypúšťaní stlačeného vzduchu.

Pri kontrole poistného ventilu je potrebné chrániť si zrak – použiť ochranné okuliare.

17.7. Výmena vstupného filtra a predfiltra

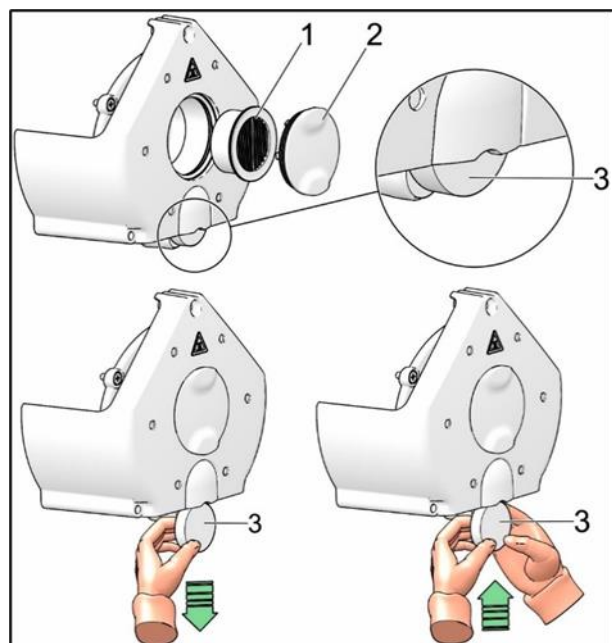
Vo veku kľukovej skrine kompresora sa nachádza vstupný filter (1).

Výmena vstupného filtra:

- Rukou vytiahnuť gumenú zátku (2).
- Znečistený vstupný filter (1) vybrať.
- Vložiť nový filter a nasadiť gumenú zátku.

Výmena vstupného predfiltra:

- Rukou vytiahnuť predfilter (3)
- Vymeniť za nový a vložiť späť



Obr. 17: Výmena vstupného filtra a predfiltra

17.8. Výmena filtračnej vložky vo filtri



Nebezpečenstvo úrazu pri práci s pneumatickými časťami pod tlakom.

Pred zásahom do zariadenia je potrebné odpojiť zariadenie od elektrickej siete a znížiť tlak vo vzdušníku a v pneumatickom systéme na nulu.

- Vytiahnuť hadičku (1) z rýchlospojky.
- Kľúčom (2) povoliť nádobku filtra (3) a demontovať.
- Filtračnú vložku (4) demontovať jej vytiahnutím smerom dolu.
- Vložiť novú vložku.
- Nasadiť nádobku filtra.
- Kľúčom jemne dotiahnuť nádobku filtra.
- Osadiť hadičku späť do rýchlospojky.

Obr. 18: Výmena filtračnej vložky vo filtri



17.9. Kontrola chladiča a ventilátora

Aby bolo sušenie účinné, je treba udržiavať celé zariadenie a najmä ventilátor kompresora, ventilátor chladiča (21) a chladič (14) v čistote (pozri. Obr. 2) – odsať alebo stlačeným vzduchom prefuknúť usadený prach z povrchu chladiacich rebier a ventilátorov.

17.10. Postup pri zapojení kompresora odpojeného od skrinky



Pred každou prácou pri údržbe alebo oprave kompresor nevyhnutne vypnite a odpojte zo siete (vytiahnuť sieťovú zástrčku).

Kompresor (bez skrinky) potrebuje pre správnu činnosť, aby prepajka / mostík (jumper) bola vždy osadená v svorkovnici (Obr. 19, Obr. 20 Poz. D). Nahradzuje vtedy zapnutie vypínača umiestneného na skrinke.



Ak vo svorkovnici kompresora (nepripojeného ku skrinke) nie je osadená prepajka / mostík, nebude funkčný kompresor !

V prípade vybratia kompresora zo skrinky a odpojenia šnúry medzi kompresorom a skrinkou (vytiahnutím vidlice konektora), kompresor nie je funkčný. Preto je nutné najskôr vytvoriť prepajku na svorkovnici prepajkou / mostíkom (nahradí funkciu vypínača na skrinke) (Obr. 19, Obr. 20 Poz. A).

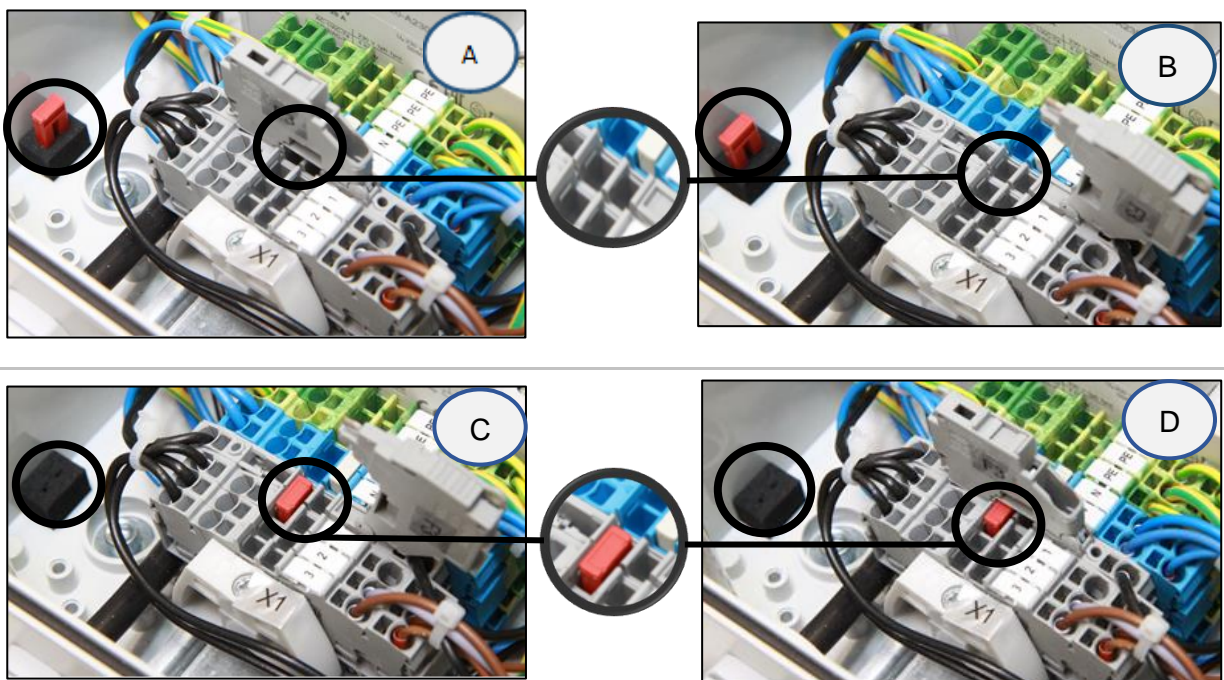
POSTUP:

Montáž prepajky / mostíka (postup A-B-C-D)

- Odpojiť výrobok od elektrickej siete vytiahnutím vidlice zo zásuvky.
- Demontovať kryt elektropanelu (na kompresore).
- Mostík nie je vo svorkovnici - A.
- Odklopiť poistkové púzdro - B.
- Zasuňte mostík do svorkovnice - C.
- Zaklopiť poistkové púzdro - D.
- Namontovať kryt elektropanelu späť.
- Pripojiť výrobok k elektrickej sieti.
- Kompresor uviesť do činnosti zapnutím vypínača na tlakovom spínači.

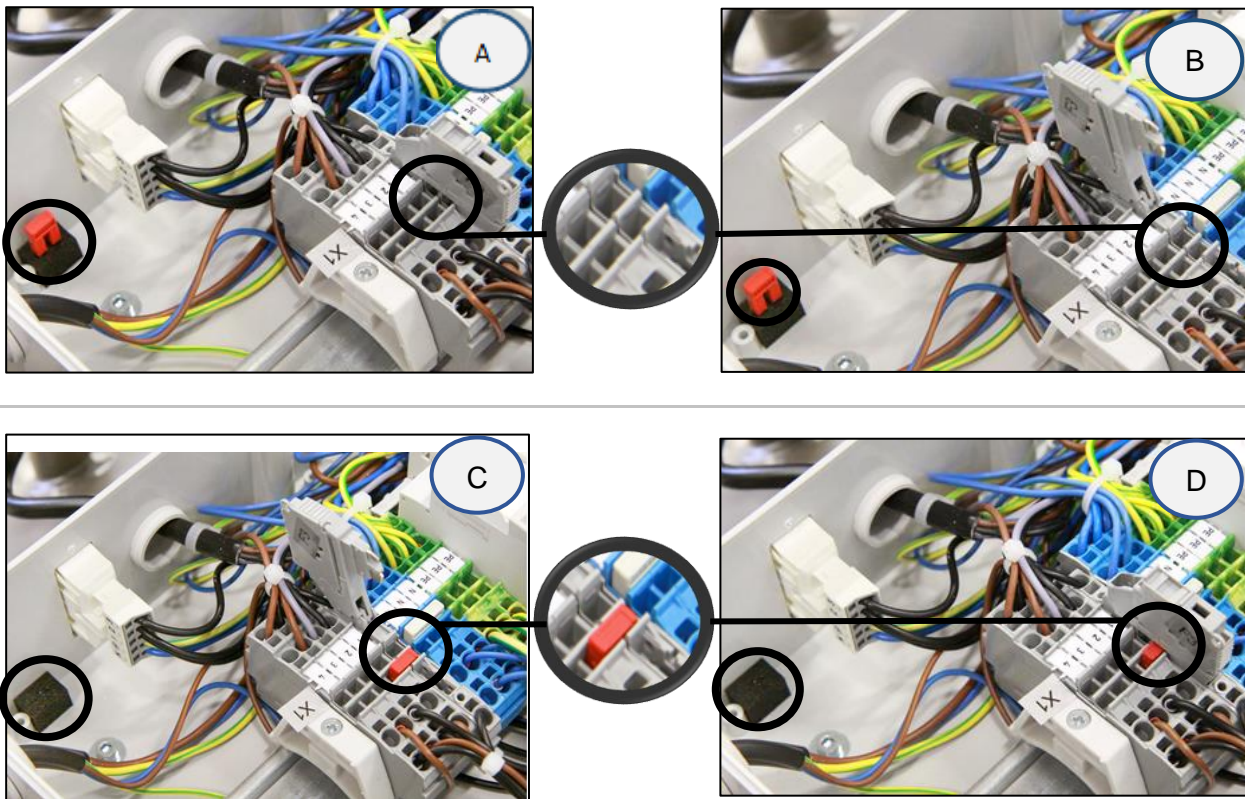
Kompresor - pri činnosti mimo skrinky **MUSÍ** mať vytvorený elektrický spoj prepajkou / mostíkom (Obr.19, Obr. 20 poz. D).

Obr. 19: DK50 2V/50



230 V

Obr. 20:DK50 2x2V/110



230 V

17.11. Postup pri zapojení kompresora k novej skrinke



Pred každou prácou pri údržbe alebo oprave kompresor nevyhnutne vypnite a odpojte zo siete (vytiahnuť sieťový zástrčku).

Kompresor v skrinke potrebuje pre správnu činnosť, aby prepajka / mostík (jumper) nebola osadená v svorkovnici (Obr. 19, Obr. 20 Poz. A). Vypínač umiestnený na skrinke zapína a vypína celý výrobok vrátane kompresora.



Ak vo svorkovnici kompresora pripojeného ku skrinke e osadená prepajka / mostík, nebude funkčný vypínač na skrinke !

Ak ku kompresoru, ktorý predtým pracoval samostatne (kompresor bez skrinky), chceme pripojiť novú skrinku, potom je nutné zrušiť prepaj vo svorkovnici kompresora vykonaním postupu, vid'. ďalej. (Obr. 19, Obr. 20). (Pozri tiež kap. 12.1 a 12.2).

POSTUP:

Demontáž prepajky / mostíka (postup D-C-B-A):

- Odpojiť výrobok od elektrickej siete vytiahnutím vidlice zo zásuvky.
- Demontovať kryt elektropanelu (na kompresore).
- Mostík je vo svorkovnici –D
- Odklopiť poistkové púzdro – C
- Vybrať mostík zo svorkovnice – B
- Zaklopiť poistkové púzdro – A

- Namontovať kryt elektropanelu späť.
- Zasuňte kompresor do skrinky.
- Skrinku pripojiť ku kompresoru šnúrou s konektorom (1) do zásuvky (2). (Obr. 12).
- Pripojiť výrobok k elektrickej sieti.
- Kompresor uviesť do činnosti zapnutím vypínača na tlakovom spínači a vypínača (4) na skrinke (Obr. 13).

Kompresor so skrinkou - pri činnosti v skrinke **nesmie** mať elektrický prepoj. (Obr. 19, Obr. 20 Poz. A)

Poznámka : **Mostík, ktorý nie je osadený vo svorkovnici, je potrebné uschovať pre prípad použitia kompresora bez skrinky alebo pre prípad servisného zásahu**, na určené miesto pri elektropaneli.

17.12. Čistenie a dezinfekcia vonkajších plôch výrobku

Na čistenie a dezinfekciu vonkajších plôch výrobku používať neutrálne prostriedky.



Používanie agresívnych čistiacich a dezinfekčných prostriedkov obsahujúcich alkohol a chloridy môže viesť k poškodeniu povrchu a zmeny farby výrobku.

18. ODSTAVENIE

V prípade, že sa kompresor nebude dlhší čas používať, odporúča sa vypustiť kondenzát z tlakovej nádoby a kompresor uviesť do prevádzky asi na 10 minút s otvoreným ventilom na vypúšťanie kondenzátu (1) (Obr. 14). Potom kompresor vypnúť vypínačom (2) na tlakovom spínači (1) (Obr. 13), uzatvoriť ventil na vypúšťanie kondenzátu a odpojiť zariadenie od elektrickej siete.

19. LIKVIDÁCIA PRÍSTROJA

- Odpojiť zariadenie od elektrickej siete.
- Vypustiť tlak vzduchu v tlakovej nádrži otvorením ventilu na vypúšťanie kondenzátu (1) (Obr. 14).
- Zariadenie zlikvidovať podľa miestne platných predpisov.
- Triedenie a likvidáciu odpadu zadať špecializovanej organizácii.
- Časti výrobku po skončení jeho životnosti nemajú negatívny vplyv na životné prostredie.

VYHLADÁVANIE PORÚCH A ICH ODSTRÁNENIE**Nebezpečenstvo úrazu elektrickým prúdom.****Pred zásahom do zariadenia je nutné odpojiť ho z elektrickej siete (vytiahnuť sieťovú zástrčku).****Nebezpečenstvo úrazu pri práci s pneumatickými časťami pod tlakom.****Pred zásahom do zariadenia je potrebné znížiť tlak vo vzdušníku a v pneumatickom systéme na nulu.****Činnosti súvisiace s odstraňovaním porúch smie vykonávať len kvalifikovaný odborník servisnej služby.**

Porucha	Možná príčina	Spôsob odstránenia
Kompresor sa nerozbieha	V tlakovom spínači nie je napätie	Kontrola napätia v zásuvke
		Kontrola stavu istiaceho vypínača - uviesť do stavu zapnuté „I“
		Uvoľnený vodič zo svorky - opraviť
		Kontrola elektrickej šnúry - chybnú vymeniť
	Prerušené vinutie motora, poškodená tepelná ochrana	Motor vymeniť, resp. previnúť vinutie
	Chybný kondenzátor	Kondenzátor vymeniť
Vypínač skrinky nevypína kompresor	Zadretý piest alebo iná rotačná časť	Poškodené časti vymeniť
	Nespína tlakový spínač	Skontrolovať funkciu tlakového spínača
	V skrinke je umiestnený kompresor, ktorý pracoval samostatne (vo svorkovnici kompresora je mostík)	Odstrániť mostík vo svorkovnici, (17.11)
Kompresor spína často	Únik vzduchu z pneumatického rozvodu	Kontrola pneumatického rozvodu – uvoľnený spoj utesniť
	Netesnosť spätného ventilu (SV)	SV vyčistiť, vymeniť tesnenia, vymeniť SV
	V tlakovej nádobe je väčšie množstvo skondenzovanej kvapaliny	Vypustiť skondenzovanú kvapalinu
	Nízka výkonnosť kompresora	Kontrola času naplnenia vzdušníka
Nízky tlak vo vzdušníku (kompresor je v činnosti trvale)	Vysoká spotreba vzduchu spotrebičom	Zníženie spotreby vzduchu Použitie výkonnejšieho kompresora
	Netesnosti v pneumatickom rozvode	Kontrola pneumatického rozvodu – netesné spoje utesniť
	Nízka výkonnosť agregátu	Oprava / výmena agregátu
	Porucha agregátu	Oprava / výmena agregátu
	Porucha sušiča	Výmena sušiča

Chod kompresora sa predlžuje	Únik vzduchu z pneumatického rozvodu	Kontrola pneumatického rozvodu – uvoľnený spoj utesniť
	Opotrebený piestny krúžok	Opotrebený piestny krúžok vymeniť
	Znečistený vstupný filter	Znečistený filter nahradiť novým
	Nesprávna funkcia solenoidného ventilu	Opraviť alebo vymeniť ventil alebo cievku
Kompresor je hlučný (klepanie, kovové zvuky)	Poškodené ložisko piesta, ojnice, ložisko motora	Poškodené ložisko vymeniť
	Uvoľnený (prasknutý) tlmiaci člen (pružina)	Poškodenú pružinu nahradiť
Sušič nesuší (vo vzduchu sa objavuje kondenzát) *	Nefunkčný ventilátor chladiča	Ventilátor vymeniť Preveriť prívod elektrickej energie
	Poškodený sušič	Vymeniť sušič
	Nefunkčný automatický odvod kondenzátu	Vyčistiť / vymeniť

)* Po poruche sušiča je nutné dôkladne vyčistiť vnútorný povrch vzdušníka a skondenzovanú kvapalinu dokonale odstrániť.



Na zabezpečenie ochrany pripojeného zariadenia pred poškodením je potrebné skontrolovať vlhkosť vypúšťaného vzduchu zo vzdušníka (pozri kap. technické údaje).

20. INFORMÁCIE O OPRAVÁRENSKEJ SLUŽBE

Záručné a mimozáručné opravy zabezpečuje výrobca alebo organizácie a opravárenské osoby, o ktorých informuje dodávateľ.

Upozornenie.

Výrobca si vyhradzuje právo vykonať na výrobku zmeny, ktoré však neovplyvnia podstatné vlastnosti prístroja.

ANNEX / ANHANG / PRÍLOHA**21. INSTALLATION RECORD**

1. Product: (model) DK50 2V/50 DK50 2V/50S DK50 2V/50/M DK50 2V/50S/M DK50 2x2V/110 DK50 2x2V/110S DK50 2x2V/110/M DK50 2x2V/110S/M		2. Serial number:	
3.1. User's name:			
3.2. Address of installation:			
4. Equipment connected to the compressor:			
5. Installation / Commissioning:		6. Contents of operator training:	
Product completeness check **	Y	Description of the product and functions**	Y
	N		N
Documentation completeness check **	Y	Product operation: turning on/off, controls, control procedures, data on the display panel, warnings, operation in warning conditions**	Y
	N		N
Installation/connection to equipment **	Y	Product maintenance: maintenance intervals, maintenance procedure, service intervals, operating activities**	Y
	N		N
Functional test **	Y	Safety measures, warnings – their meaning and compliance **	Y
	N		N
Notes:			
7. Operator instructed on safety measures, operations and maintenance:			
Name:		Signature:	
Name:		Signature:	
Name:		Signature:	
8. Installation and instruction performed by: First name/Last name		Signature:	
Company:		Address:	
Phone:			
Email:		Date:	
9. Distributor:			
Company:		Address:	
Contact person:			
Phone:		Email:	

** mark with an "X" in points 5 and 6 (Y - yes /N - no). Enter any observations from points 5 and 6 into the "Notes" section



21. INSTALLATIONSprotokoll

1. Produkt: (Modell) DK50 2V/50 DK50 2V/50S DK50 2V/50/M DK50 2V/50S/M DK50 2x2V/110 DK50 2x2V/110S DK50 2x2V/110/M DK50 2x2V/110S/M		2. Seriennummer:	
3.1. Benutzername:			
3.2. Aufstellungsort:			
4. An den Kompressor angeschlossene Geräte:			
5. Installation / Inbetriebnahme:		6. Inhalte der Bedienschulung:	
Vollständigkeitsprüfung des Produkts**	J	Beschreibung des Produkts und der Funktionen**	J
	N		N
Dokumentation der Vollständigkeitsprüfung**	J	Produktbetrieb: Ein-/Ausschalten, Steuerungen, Steuerungsabläufe, Daten auf dem Display, Warnungen, Betrieb bei Warnungszustand **	J
	N		N
Installation/Anschluss an Gerät**	J	Produktwartung: Wartungsintervalle, Wartungsablauf, Serviceintervalle, Betriebsabläufe**	J
	N		N
Funktionstest**	J	Sicherheitsmaßnahmen, Warnmeldungen – Bedeutung und Befolgung**	J
	N		N
Hinweise:			
7. Der Bediener wurde über die Sicherheitsmaßnahmen, über Abläufe und Wartung instruiert:			
Name:		Unterschrift:	
Name:		Unterschrift:	
Name:		Unterschrift:	
8 Installation und Anweisung vorgenommen durch: Vorname/Nachname		Unterschrift:	
Firma:		Adresse:	
Telefon:			
E-Mail:		Datum:	
9 Vertriebshändler:			
Firma:		Adresse:	
Ansprechpartner:			
Telefon:		E-Mail:	

**für Punkte 5 und 6 mit einem „X“ markieren (J – Ja/N – Nein). Geben Sie alle Beobachtungen aus den Punkten 5 und 6 im Abschnitt „Hinweise“ ein.



21. ZÁZNAM O INŠTALÁCII

1. Výrobok: (typ) DK50 2V/50 DK50 2V/50S DK50 2V/50/M DK50 2V/50S/M DK50 2x2V/110 DK50 2x2V/110S DK50 2x2V/110/M DK50 2x2V/110S/M		2. Výrobné číslo:	
3.1. Názov užívateľa:			
3.2. Adresa inštalácie:			
4. Zariadenia pripojené ku kompresoru:			
5. Inštalácia / Uvedenie do prevádzky:		6. Obsah zaučenia obsluhy:	
Kontrola úplnosti výrobku **	A	Popis výrobku a popis funkcie**	A
	N		N
Kontrola úplnosti dokumentácie **	A	Obsluha výrobku : zapnúť /vypnúť, ovládacie prvky, postupy ovládania, údaje na zobrazovacom paneli, výstrahy, činnosť pri výstrahách**	A
	N		N
Inštalácia/pripojenie k zariadeniu **	A	Údržba výrobku: intervaly údržby, postup pri údržbe, servisné intervaly, činnosť obsluhy**	A
	N		N
Funkčná skúška **	A	Bezpečnostné opatrenia, upozornenia – ich význam a dodržiavanie **	A
	N		N
Poznámky:			
7. Obsluha poučená o bezpečnostných opatreniach, prevádzke a údržbe :			
Meno :		Podpis :	
Meno :		Podpis :	
Meno :		Podpis :	
8. Inštaláciu a poučenie vykonal:		Podpis:	
Meno/Priezvisko			
Firma:		Adresa:	
Telefón:			
E-mail :		Dátum:	
9. Distribútor:			
Firma:		Adresa:	
Kontaktná osoba :			
Telefón:		E-mail :	

** v bodoch 5 a 6 označiť "X" (A - áno /N - nie). Pozorovania k bodom 5 a 6 zapísať do časti „Poznámky“

DK50 2V/50

DK50 2x2V/110/M



EKOM spol. s r.o.,

Priemyselná 5031/18, 921 01 PIEŠŤANY, Slovak Republic



tel.: +421 33 7967255, fax: +421 33 7967223

e-mail: ekom@ekom.sk, www.ekom.sk

NP-DK50 2V 50, 2x2V 110-A-18_09-2024-MD

112000443-000

